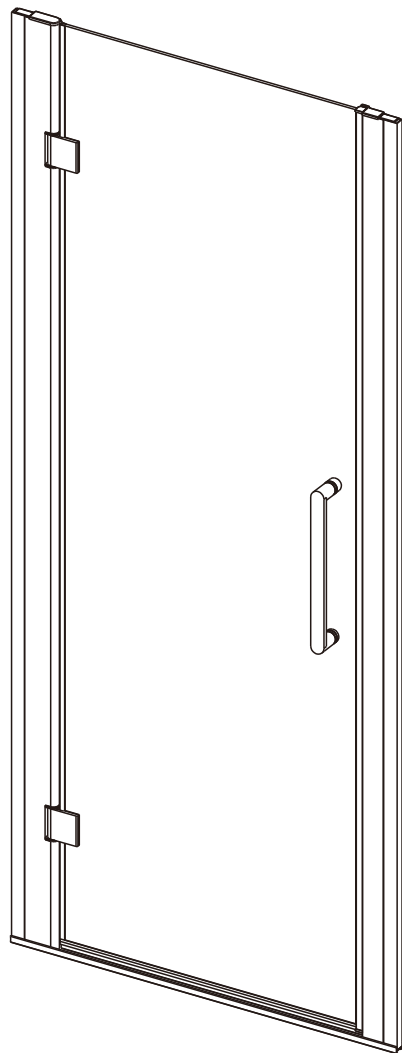


INSTALLATION INSTRUCTIONS

FOR SHOWER DOOR AND BATHTUB DOOR

CK-2672-BN-40
CK-2672-MB-40



FINISH :

CH -Chrome

BN -Brushed Nickel

MB -Matte Black

◆ General Information

Inspect the product immediately upon receipt for transit damage, missing packs/parts or manufacturing fault. Damage reported later will not be accepted. Handle the product with care avoiding knocks and shock loading to all sides and edges of the glass.

Notes: Safety glass can not be re-worked.

Read these instructions carefully before start of installation.

Special care should be taken when drilling walls to avoid hidden pipes or electrical cables.

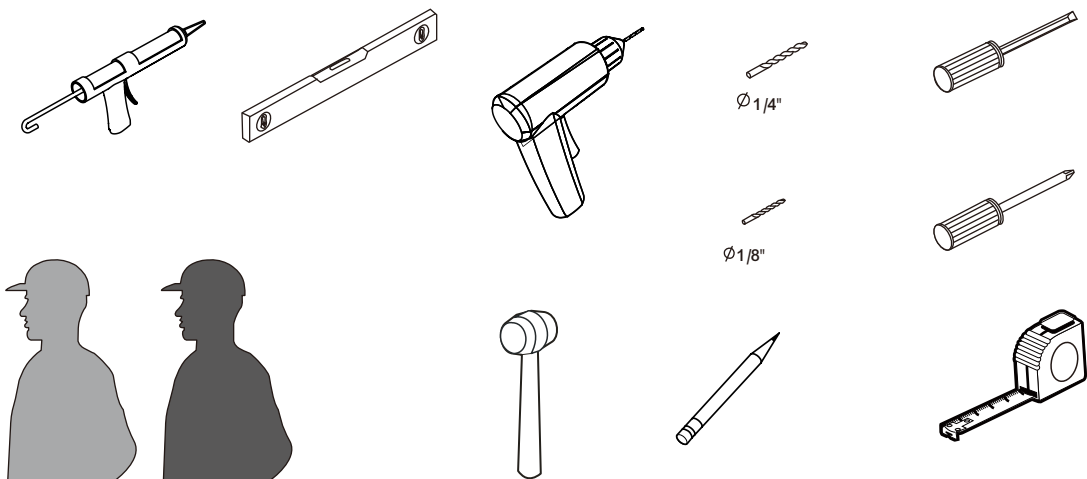
Note: This product is heavy and may require two people to install.

Aftercare instructions

After use, your shower should be cleaned with soap and water. This is particularly important in hard water districts where insoluble lime salts maybe deposited and allowed to build up. Cleaners of a gritty or abrasive nature should not be used. Care should be taken to avoid contact with strong chemicals, they can be used but with caution, if in doubt contact the manufacturer of the cleaner in question.

Keep these instructions for aftercare and customer service details.

Tools Required

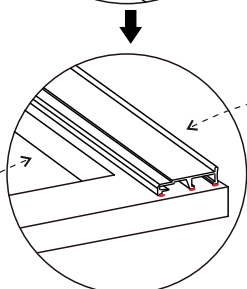
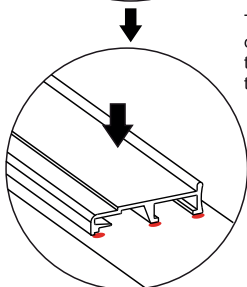
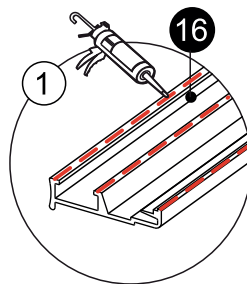
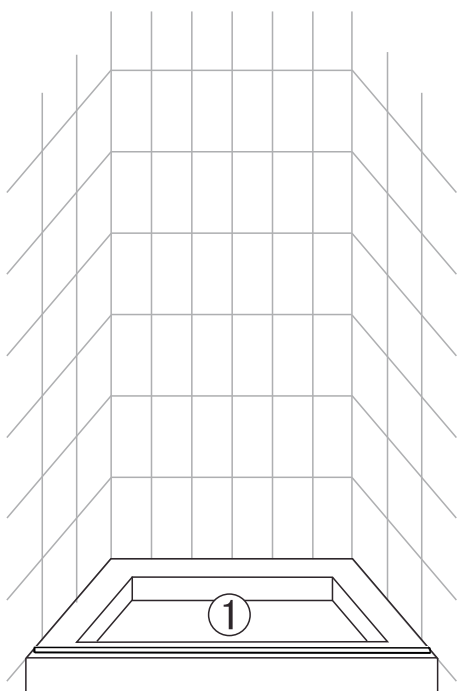


This product is heavy and may require two people to install.



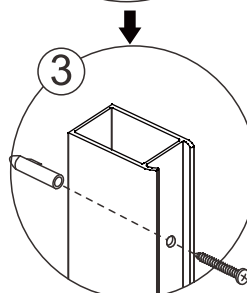
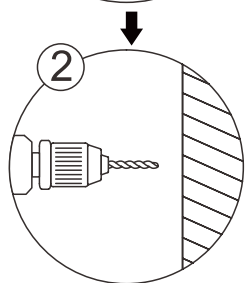
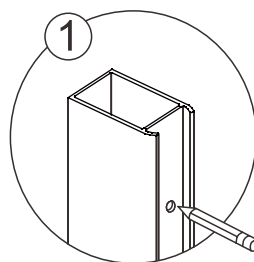
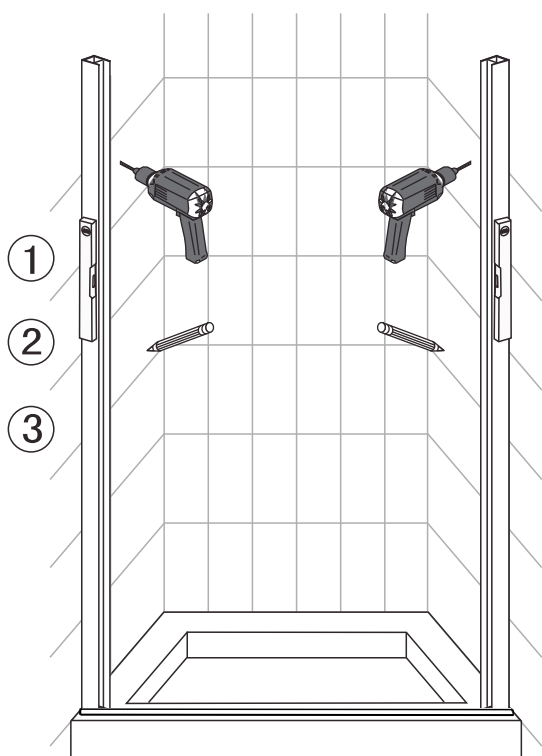
◆ Installation Steps

Step 1

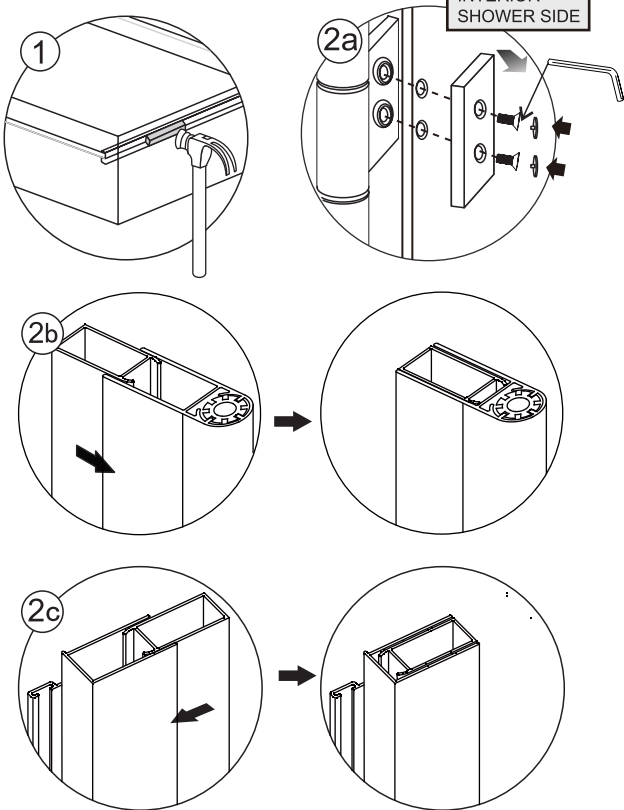
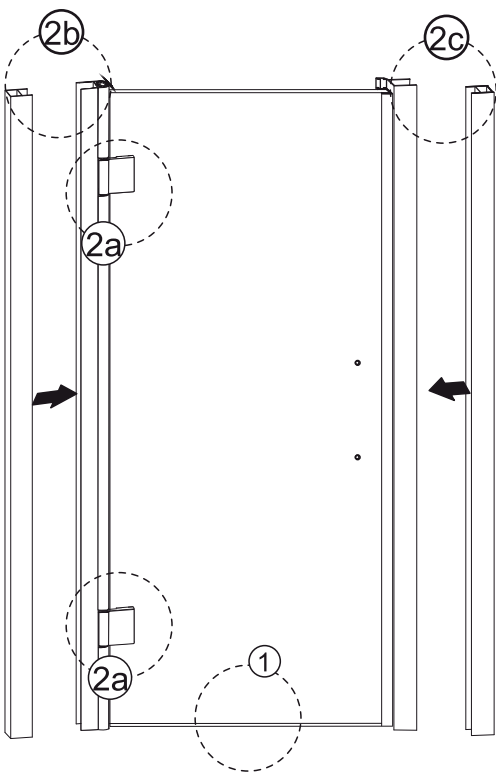


The highest part of the lip needs to be on the outer side of the base to ensure the water flows towards the drain, inside the shower.

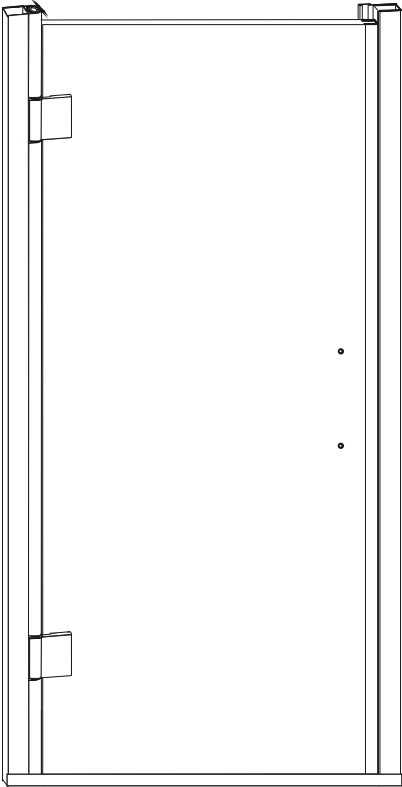
Step 2



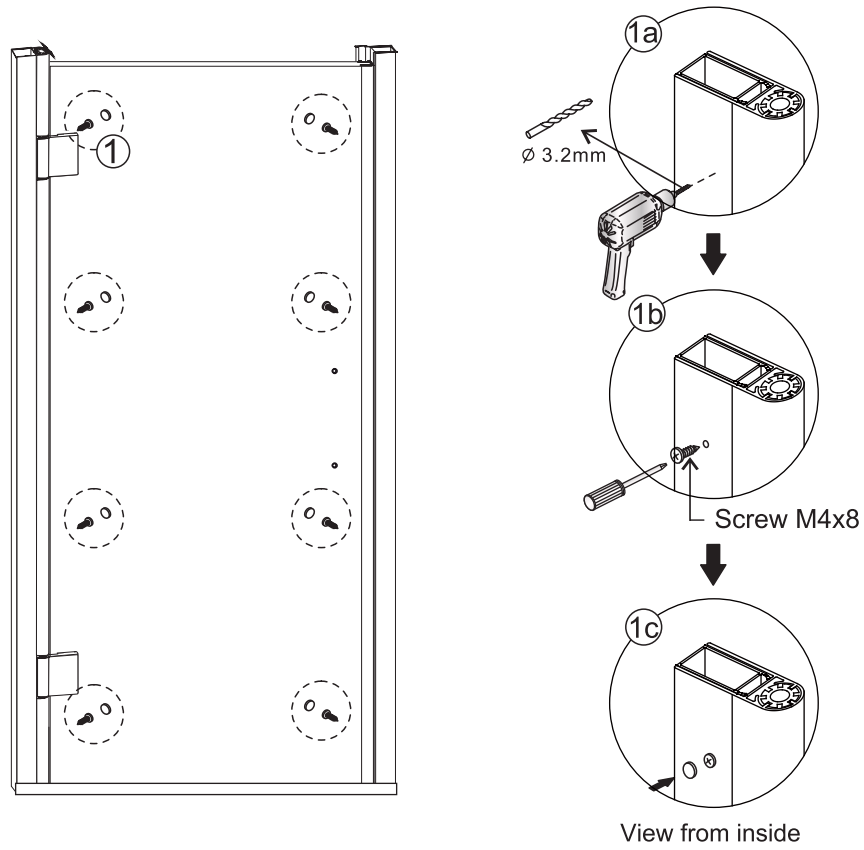
Step 3



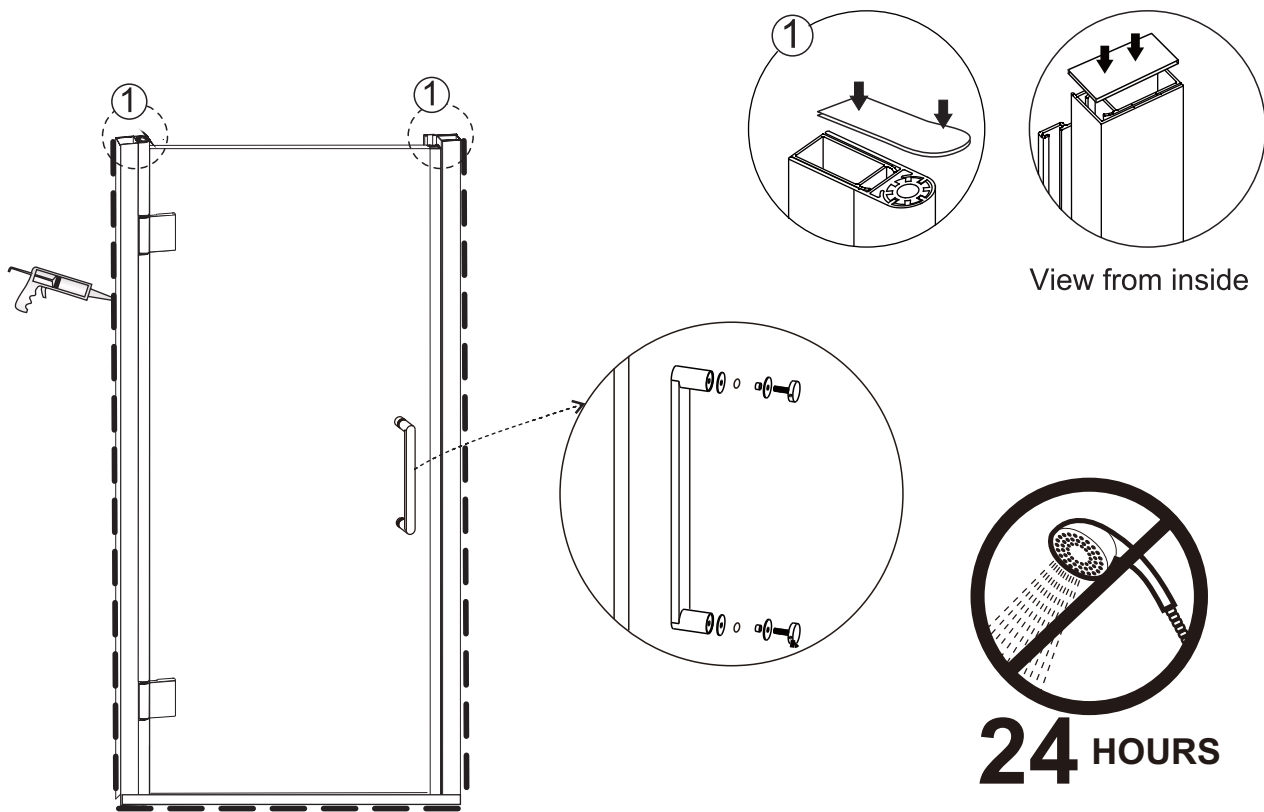
Step 4



Step 5



Step 6



Allow 24 hours for silicone to dry before use.