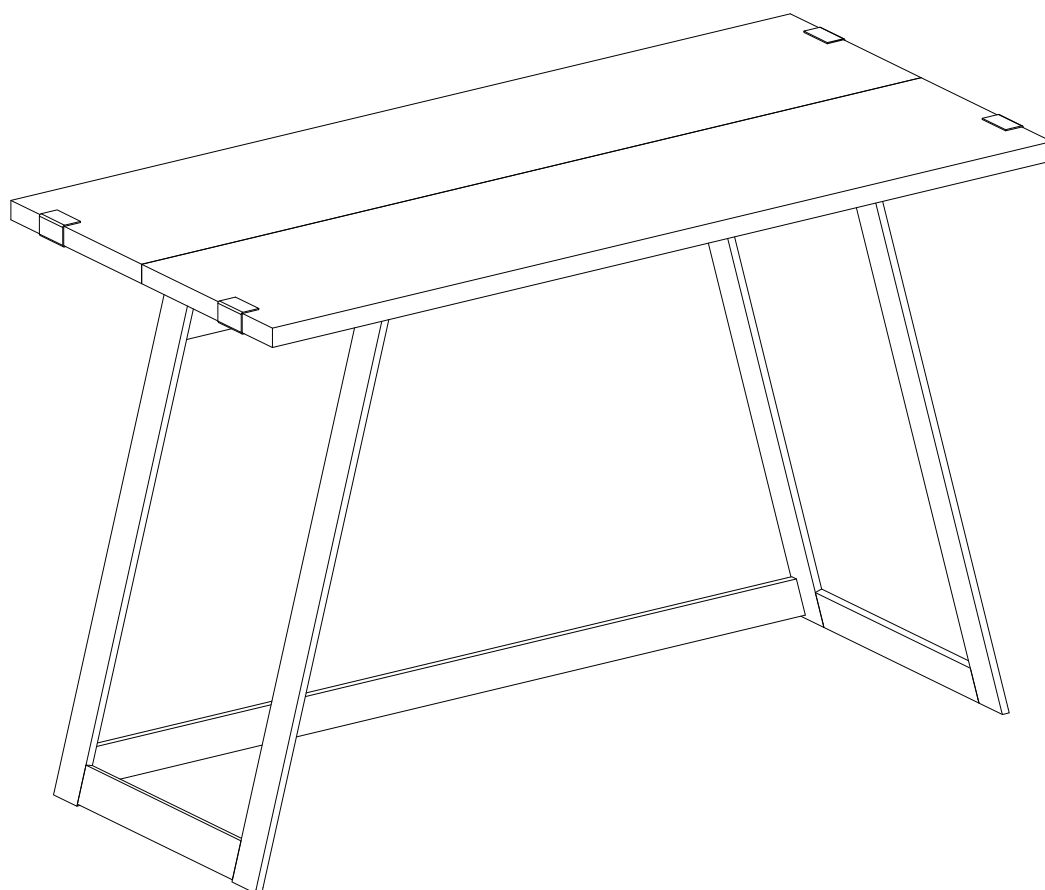


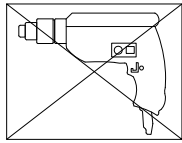
Assembly Instructions



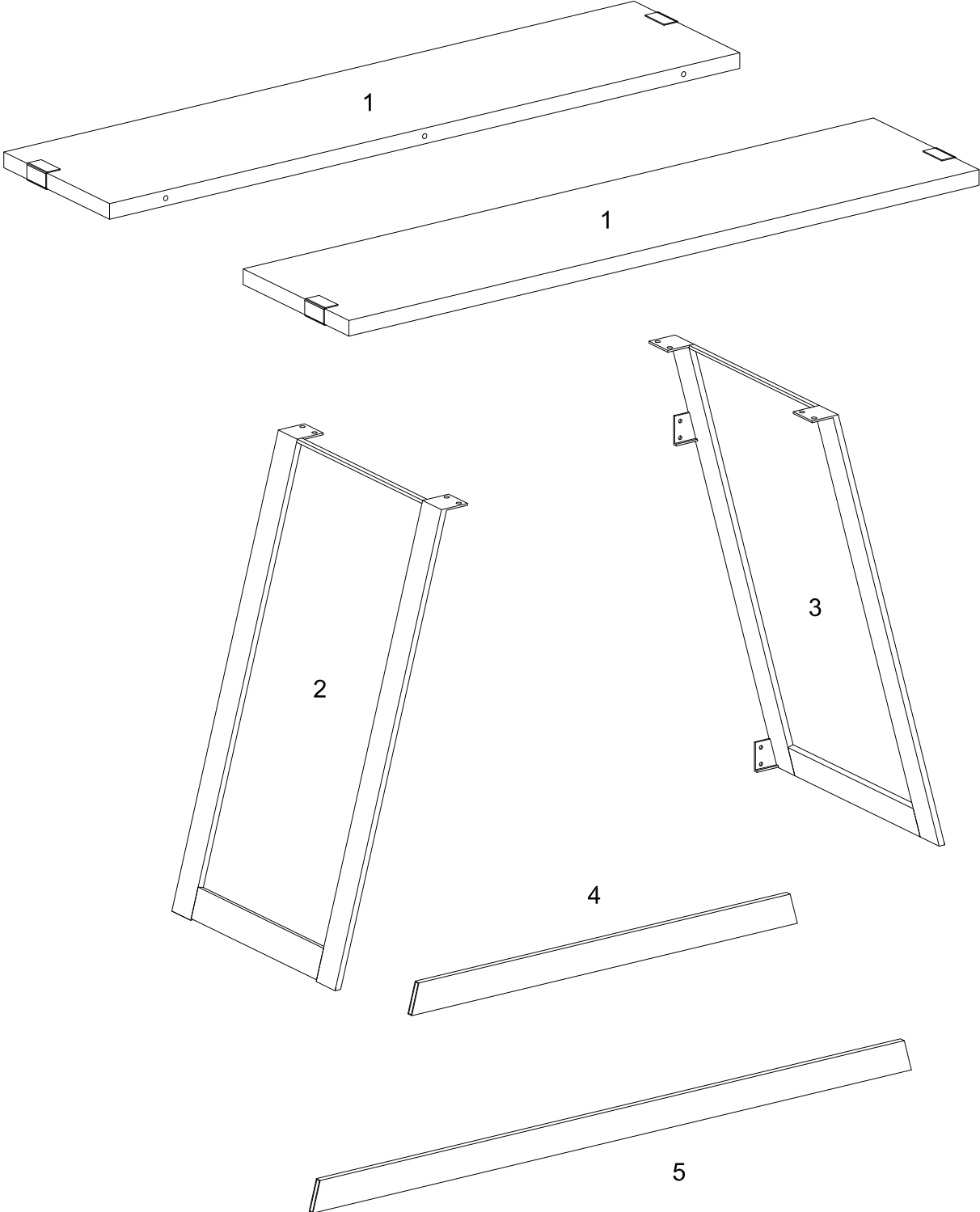
Please visit our website for the most current instructions, assembly tips, report damage, or request parts

General Assembly Guidelines

- I. Ensure that all parts and hardware are available before beginning assembly.
- II. Follow each step carefully to ensure the proper assembly of this product.
- III. Two people are recommended for ease in the assembly of this product.
- IV. The main type of hardware used to assemble this product is: bolts.
- V. Power tools should not be used to assemble this product .



Parts List

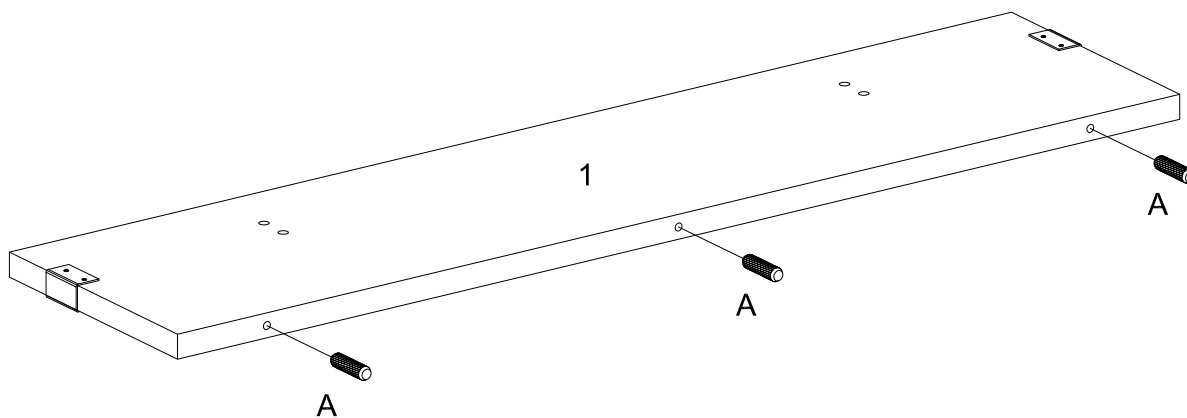


Hardware List

A		Ø8x30mm	Wooden dowel	3 pcs
B		Ø6x8mm	Bolt	8 pcs
C		Ø6x15mm	Bolt	8 pcs
D		M4	Hex Key	1 pcs

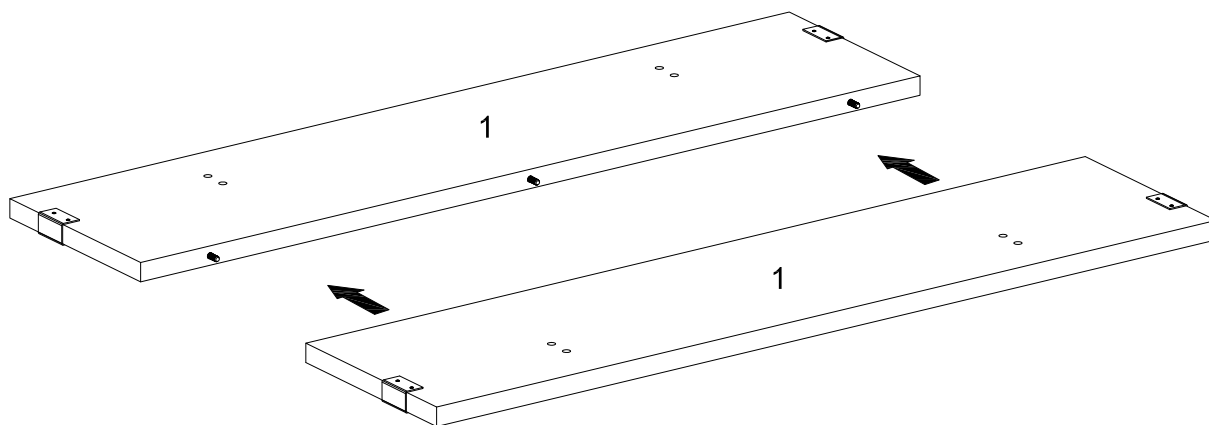
*The hardware quantities listed above are required for proper assembly.
Some extra hardware may also have been included.*

Step 1



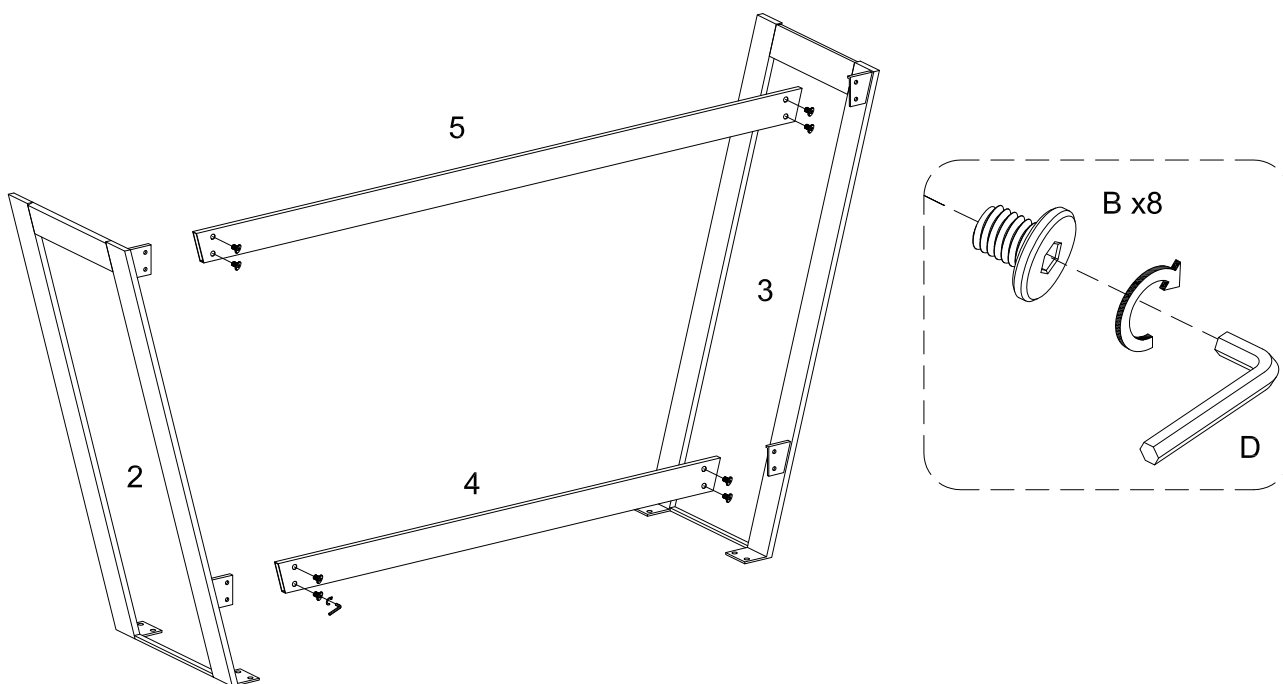
Insert wooden dowel (A) into part (1).

Step 2



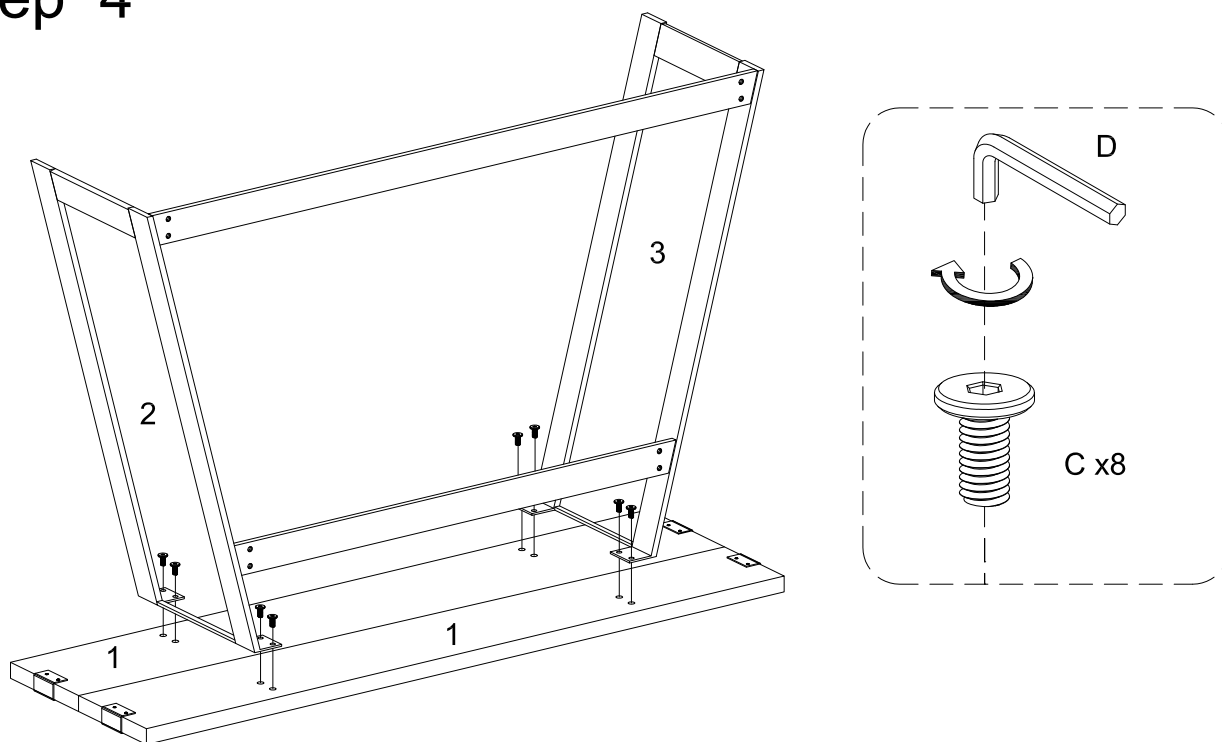
Insert part (1) into part (1).

Step 3



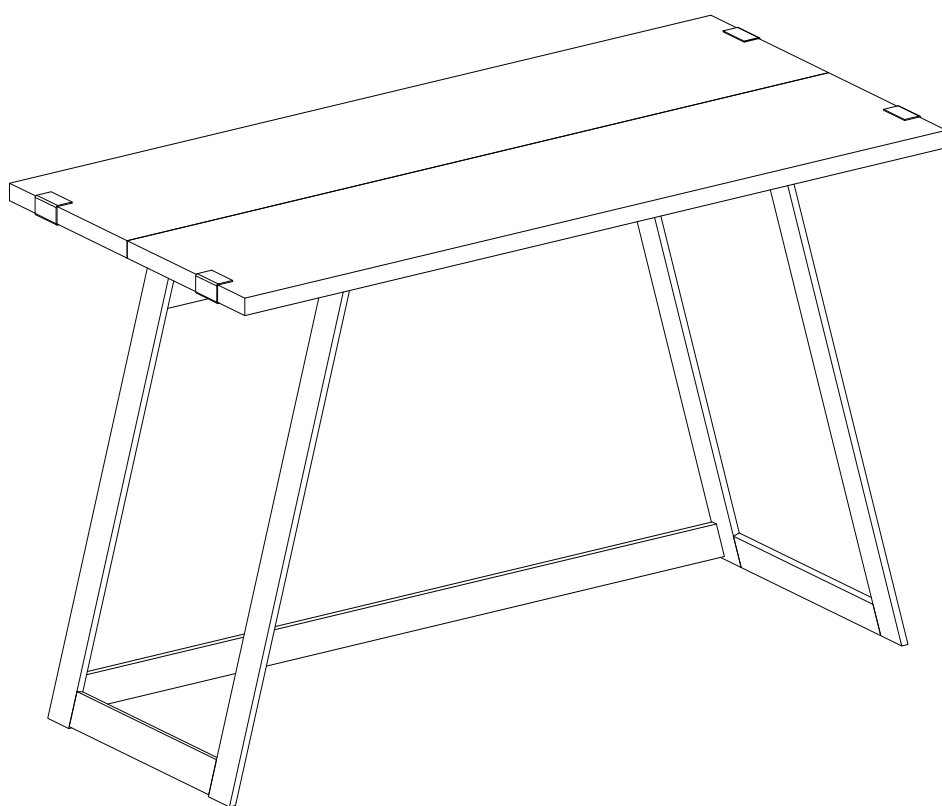
Attach part (4,5) to part (2,3) using bolt (B) with hex key (D).

Step 4



Attach part (2,3) to part (1) using bolt (C) with hex key (D).

Step 5



Final Assembly