

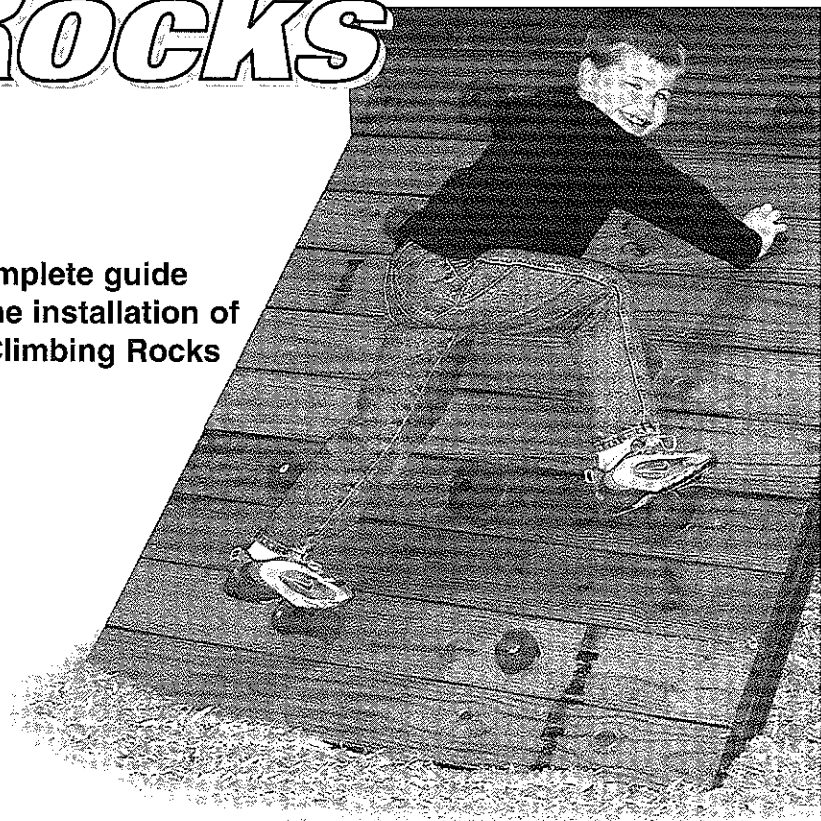
Swing-N-Slide®

NE 4543

PREMIUM GRADE

Climbing Rocks

**A complete guide
for the installation of
the Climbing Rocks**



Wall Placement **IMPORTANT- READ THIS FIRST**

The Climbing Rock Wall can only be placed on Swing•N•Slide units with 48" deck heights. In addition, walls can only be placed on decks which will allow a minimum opening size per this plan (30" for the small wall, 48" for the large wall). All accessories that are within 6' from the sides and bottom of the finished wall must be removed from the unit to prevent overlapping play areas.

Safety Checklist

Observing the following statements and warnings reduces the likelihood of serious or fatal injury

Installation Safety - Have You:

- ✓ Consulted the assembly instructions supplied with your particular model?
- ✓ Noted this accessory is to be used only on Swing•N•Slide approved designs? (Do not alter its design or add/remove components.)
- ✓ Made sure all hardware is tightened securely? (Supplied bolt covers must also be fastened securely.)
- ✓ Using a hacksaw, cut off all protruding threaded ends of bolts and other fasteners and remove any sharp edges with a metal file as needed?
- ✓ Placed the equipment on level ground, not less than six feet (1.8 meters) from any structure or obstruction such as a fence, garage, house, overhanging branches, laundry lines, or electrical wires?
- ✓ Made sure home playground equipment is not installed over concrete, asphalt, packed earth or any other hard surface? (A fall onto a hard surface can result in serious injury to the equipment user.)
- ✓ Consulted in assembly instructions of your particular model for minimum use zones?
- ✓ Followed all anchoring and shock absorbing surfacing requirements as they apply (see kit plan for more information)?
- ✓ Made sure not to allow children to use equipment until it is properly installed?

Operating Safety - Have You:

- ✓ Determined that on-site adult supervision is provided for children of all ages?
- ✓ Taught children the following before allowing them to use the equipment?
 - Not to attach items to the playground equipment that are not specifically designed for use with the equipment such as but not limited to, jump ropes, clotheslines, pet leashes, cables and chain. They may cause a strangulation hazard.
 - Not to use equipment in a manner other than intended.
 - Not to climb on the equipment when it is wet.
- ✓ Determined children must be dressed appropriately for play. Avoid clothing with draw strings and loose fitting clothes which could become entangled or snagged on equipment.

Safety Maintenance - Have You Determined to:

- ✓ Check all nuts and bolts twice monthly during the usage season for tightness and tighten as required? (It is particularly important that this procedure be followed at the beginning of each season.)
- ✓ To prevent the deterioration of materials, remove plastic swing seats and other plastic accessories and take indoors? (Do not use when the temperature drops below 0° F.)
- ✓ Check all hardware and equipment for sharp edges twice monthly during usage season? (Replace when necessary. It is especially important to do this at the beginning of each new season.)

Disposal Instructions

When the equipment is taken out of service, it must be disassembled and disposed of in such a way that no unreasonable hazards will exist at the time the set is discarded.

IF YOU HAVE ANY QUESTIONS DURING THE CONSTRUCTION OF THE CLIMBING ROCK WALL OR ARE MISSING ANY PARTS PLEASE CALL OUR CUSTOMER SERVICE DEPARTMENT AT 1-800-888-1232

Kit Includes

Four (4) Premium Grade holds, Four (4) bolts, four (4) "T" nuts, four (4) wood screws, Assembly Guide

Tools Required

Circular Saw, Electric Drill, 7/16" Drill Bit, Screwdriver, Phillips Head Screwdriver, Hammer, and Pencil

Cutting Guide - 30" wall

45-1/2"	45-1/2"	
---------	---------	--

One 2" x 4" x 8'

60"	60"
-----	-----

One 2" x 4" x 10'

30"	30"	30"	
-----	-----	-----	--

Two 2" x 6" x 8'

30"	30"	30"	30"
-----	-----	-----	-----

One 2" x 6" x 10'

Cutting Guide - 48" wall

57-1/2"	57-1/2"	
---------	---------	--

One 2" x 4" x 10'

60"	60"
-----	-----

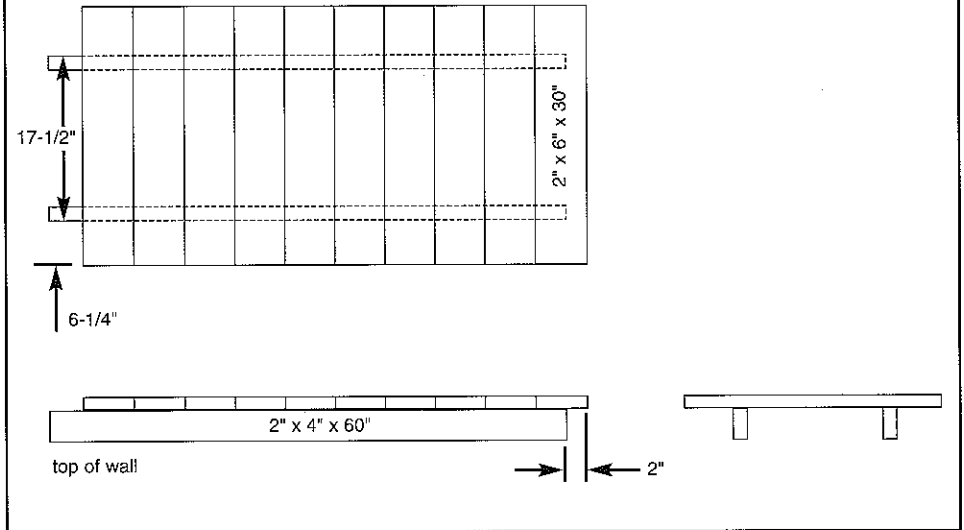
One 2" x 4" x 10'

45-1/2"	45-1/2"	48"	
---------	---------	-----	--

One 2" x 4" x 12'

48"	48"
-----	-----

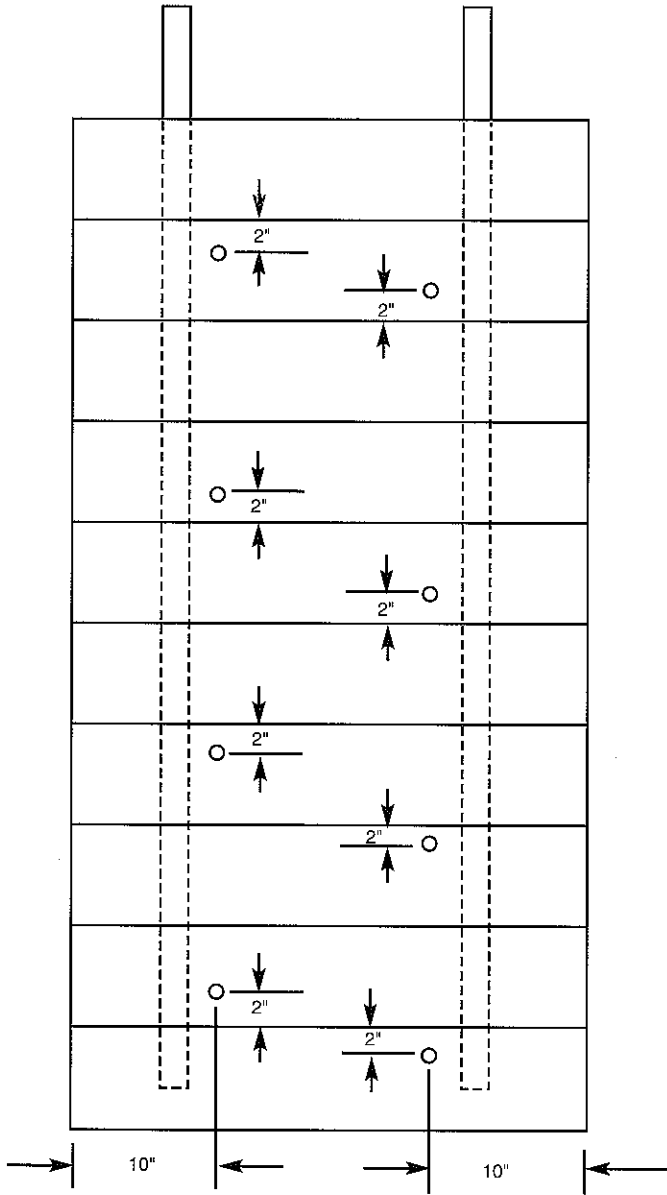
Five 2" x 6" x 8'

FIG. 1

30" Wall Assembly

1. Cut lumber as indicated in the 30" cutting guide.
2. Assemble wall as indicated in Fig. 1 above. Attach the 2" x 6" x 30" boards to the 2" x 4" x 60" boards using two 16D galvanized nails per joint. **Note:** Attach the bottom 2" x 6" x 30" board first. Attach remaining boards tight to each other.
3. Mark locations of eight holes on the 30" wall as indicated in Fig. 2.
4. Drill holes through the wall at the marked locations using a 7/16" drill bit.

FIG. 2
Hole
Location



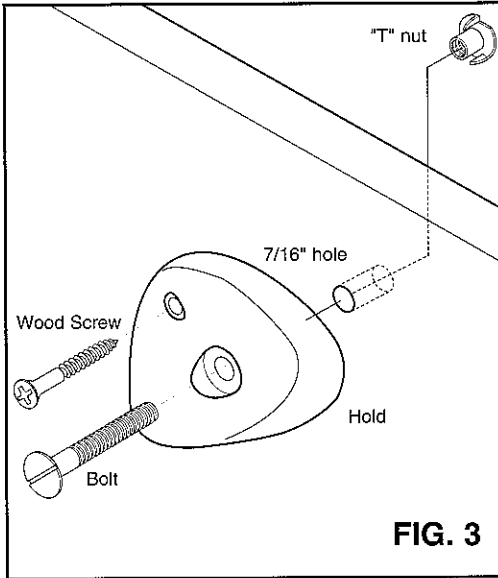


FIG. 3

30" Wall Assembly

5. Insert a "T" nut into each hole on the **BACK** of the wall (see Fig. 3). Using a hammer, pound the nut flush with the wall.
6. Insert a bolt through the large hole of each hold and through a hole on the front of the wall (Fig. 3).
7. Position each hold so the thickest part of the hold or hand recess is facing the top of the wall.
8. Tighten bolt enough to maintain hold position.
9. Insert a wood screw in the smaller hole of the hold and secure to the wall (Fig. 3).
10. Tighten bolts securely.

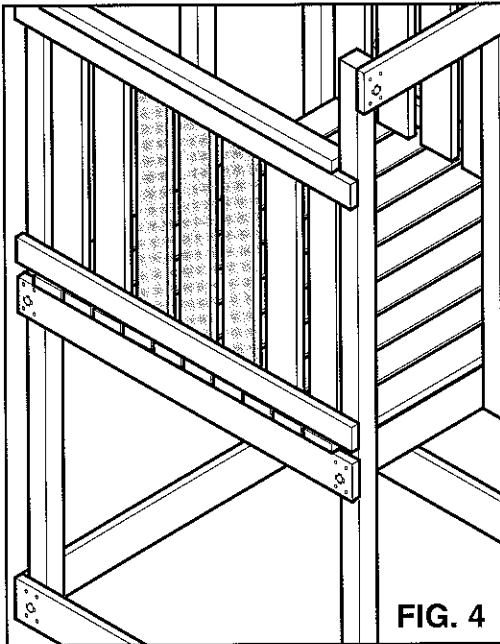


FIG. 4

Unit Preparation

1. Remove enough rails on the unit to create an opening that is at least 30" wide.

NOTE: Remove only those rails needed for a **minimum 30" opening**. Opening size will vary per kit application.

Unit Preparation

2. Position two 2" x 4" x 45-1/2" boards to the unit as indicated in Fig. 5. **NOTE:** Center the boards in the opening created by removing the rails. The **INSIDE** distance between these boards should be approximately 17-1/2".
3. Attach the two 2" x 4" x 45-1/2" boards to the unit using two 16D galvanized nails per joint. **NOTE:** Nail through the existing 2" x 6" boards into the 2" x 4" x 45-1/2" boards.

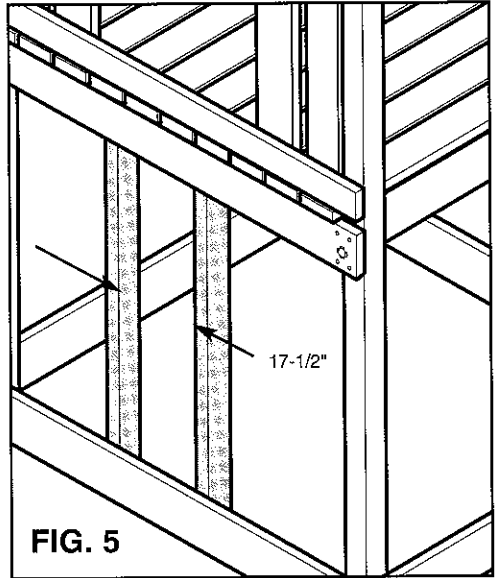


FIG. 5

Attaching 30" Wall

1. Place the 2" x 4" x 60" supports of the wall between the 2" x 4" x 45-1/2" uprights and position wall until the top board of the wall is flush with the existing 2" x 6" of the unit (see Fig. 6).
2. Secure the wall to the upright using four 10D galvanized nails per joint.

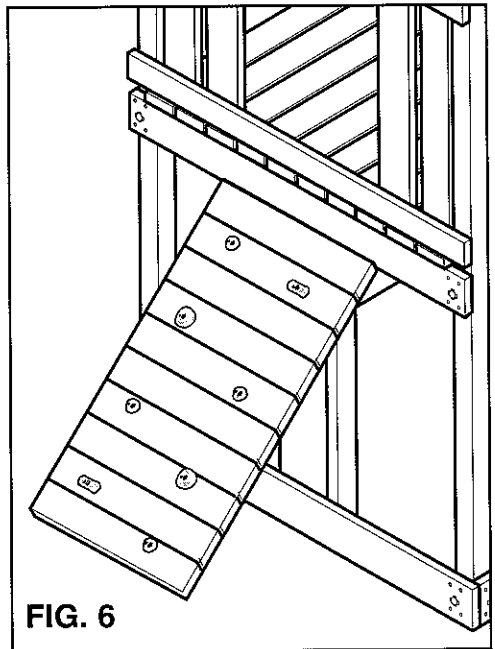
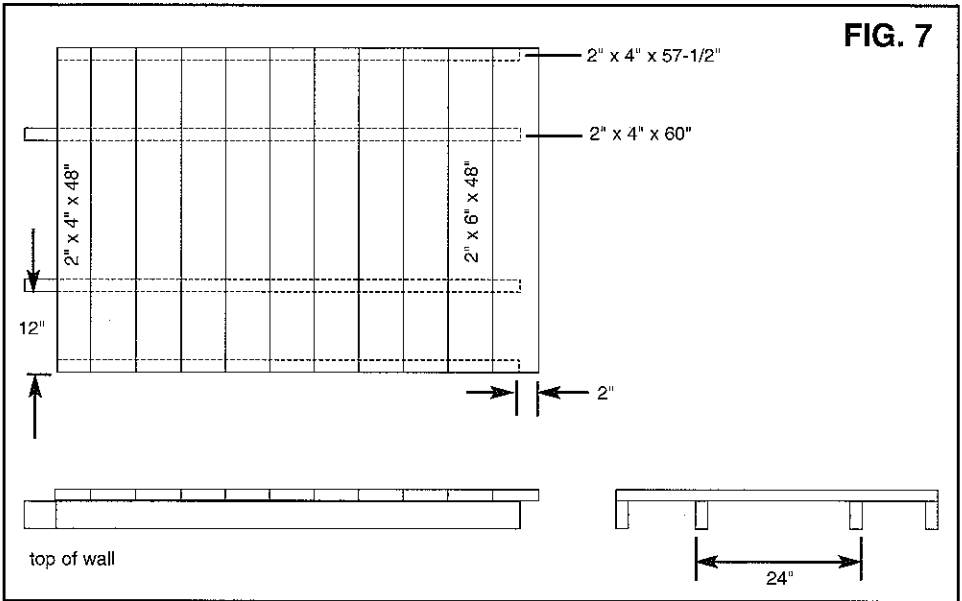


FIG. 6

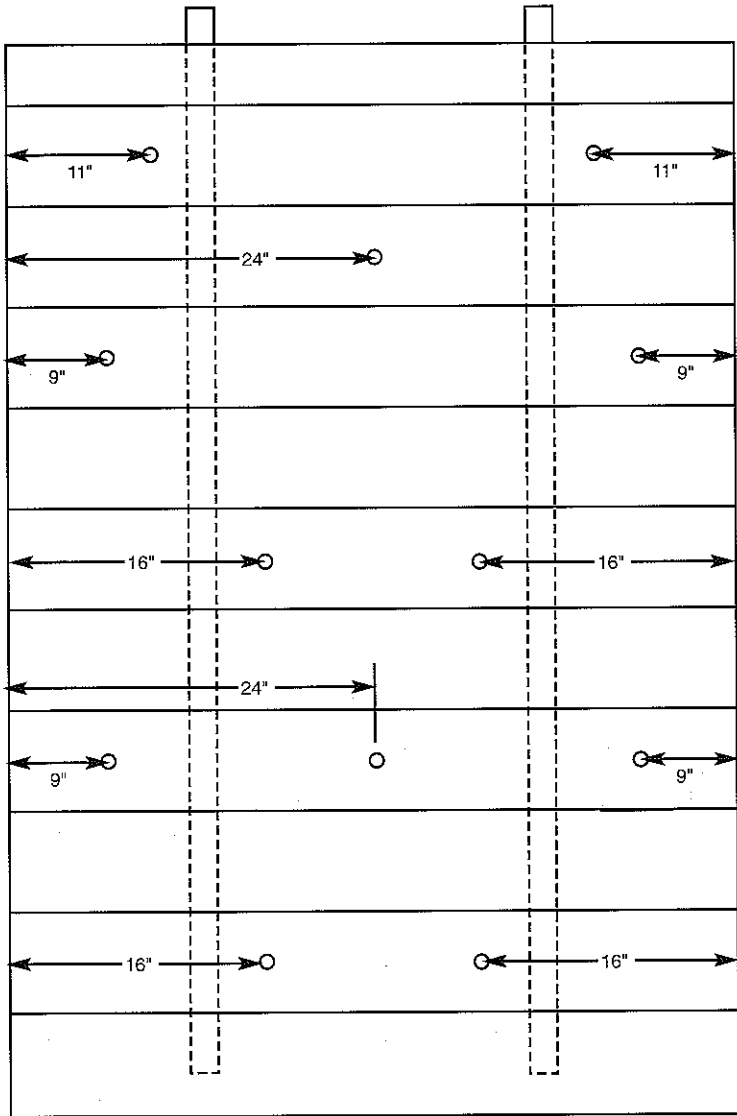
FIG. 7



48" Wall Assembly

1. Cut lumber as indicated in the 48" cutting guide.
2. Assemble wall as indicated in Fig. 7 above. Attach the 2" x 6" x 48" boards to the 2" x 4" x 60" and 2" x 4" x 57-1/2" boards using two 16D galvanized nails per joint. **Note:** Attach the bottom 2" x 6" x 48" board first. Attach remaining boards flush to each other.
3. Attach the 2" x 4" x 48" board to the top of the wall using two 16D galvanized nails per joint.
4. Mark locations of twelve holes on the 48" wall as indicated in Fig. 8. Drill holes through the wall at the marked locations using a 7/16" drill bit.

FIG. 8 Hole Location - 48" Wall



NOTE: All hole dimensions are on center and should be drilled through the middle of each board

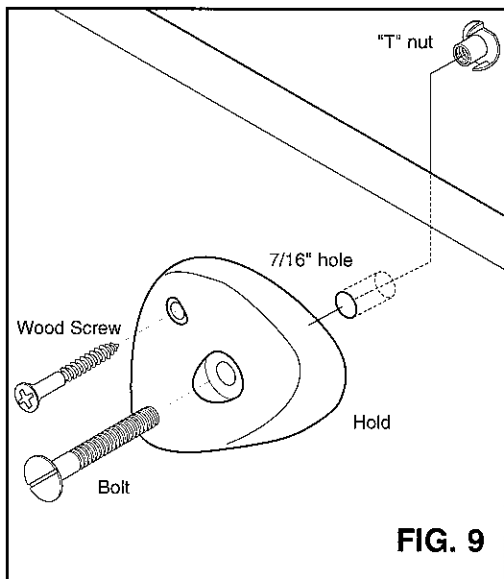


FIG. 9

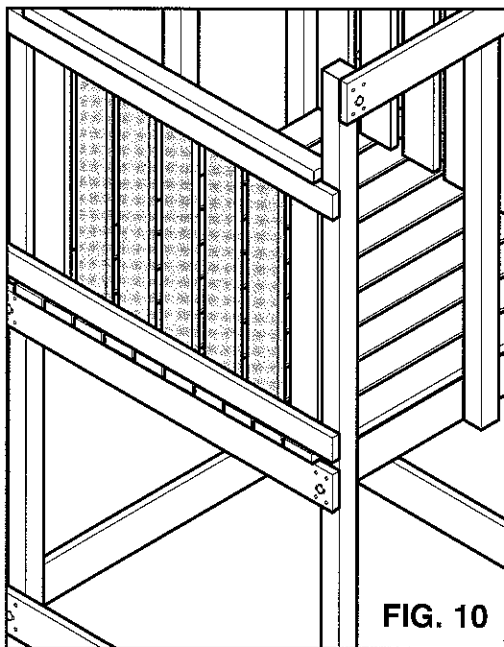


FIG. 10

48" Wall Assembly

5. Insert a "T" nut into each hole on the **BACK** of the wall (see Fig. 9). Using a hammer, pound the nut flush with the wall.
6. Insert a bolt through the large hole of each hold and through a hole on the front of the wall (Fig. 9).
7. Position each hold so the thickest part of the hold or hand recess is facing the top of the wall.
8. Tighten bolt enough to maintain hold position.
9. Insert a wood screw in the smaller hole of the hold and secure to the wall (Fig. 9).
10. Tighten bolts securely.

Unit Preparation

1. Remove enough rails on the unit to create an opening that is at least 48" wide.

NOTE: Remove only those rails needed for a **minimum 48" opening**. Opening size will vary per kit application.

Unit Preparation

2. Position two 2" x 4" x 45-1/2" boards to the unit as indicated in Fig. 11. **NOTE:** Center the boards in the opening created by removing the rails. The **INSIDE** distance between these boards should be approximately 24".
3. Attach the two 2" x 4" x 45-1/2" boards to the unit using two 16D galvanized nails per joint. **NOTE:** Nail through the existing 2" x 6" boards into the 2" x 4" x 45-1/2" boards.

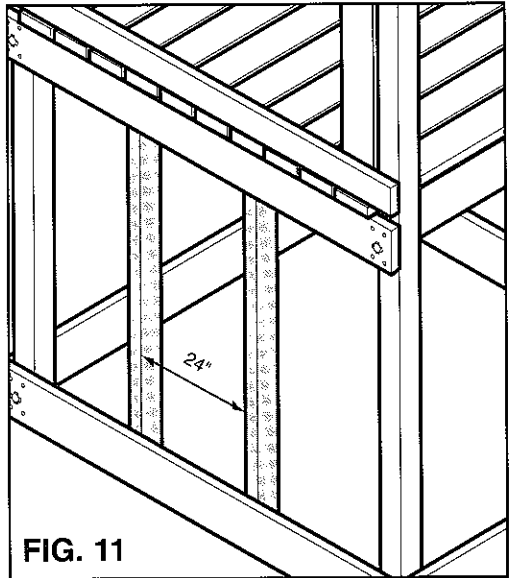


FIG. 11

Attaching 48" Wall

1. Place the 2" x 4" x 60" supports of the wall between the 2" x 4" x 45-1/2" uprights and position wall until the top board of the wall is flush with the existing 2" x 6" of the unit (see Fig. 12).
2. Secure the wall to the upright using three 10D galvanized nails per joint.

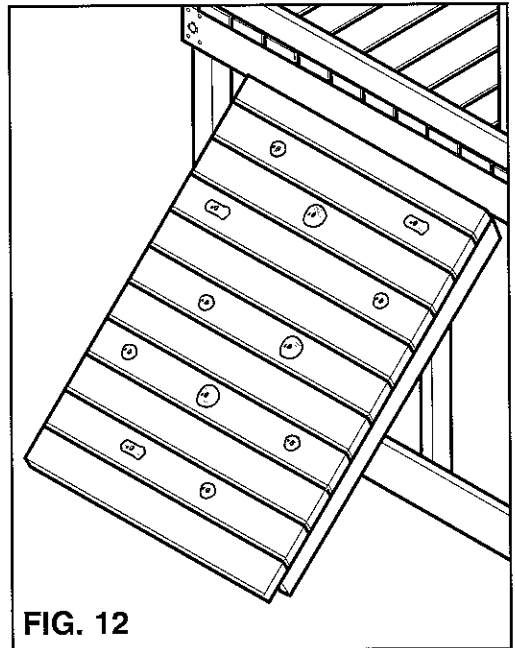
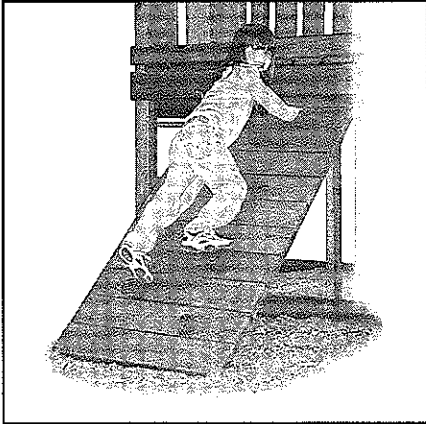


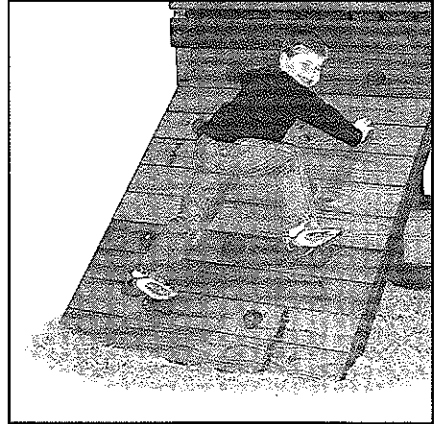
FIG. 12

Lumber Required - Bill of Materials



30" Wall

Qty.	Description
1	2" x 4" x 8'
1	2" x 4" x 10'
2	2" x 6" x 8'
1	2" x 6" x 10'
1#	10D galvanized nails
2#	16D galvanized nails



48" Wall

Qty.	Description
2	2" x 4" x 10'
1	2" x 4" x 12'
5	2" x 6" x 8'
1#	10D galvanized nails
2#	16D galvanized nails

Swing-N-Slide®

1212 Barbary Drive, Janesville, Wisconsin 53545
1-800-888-1232