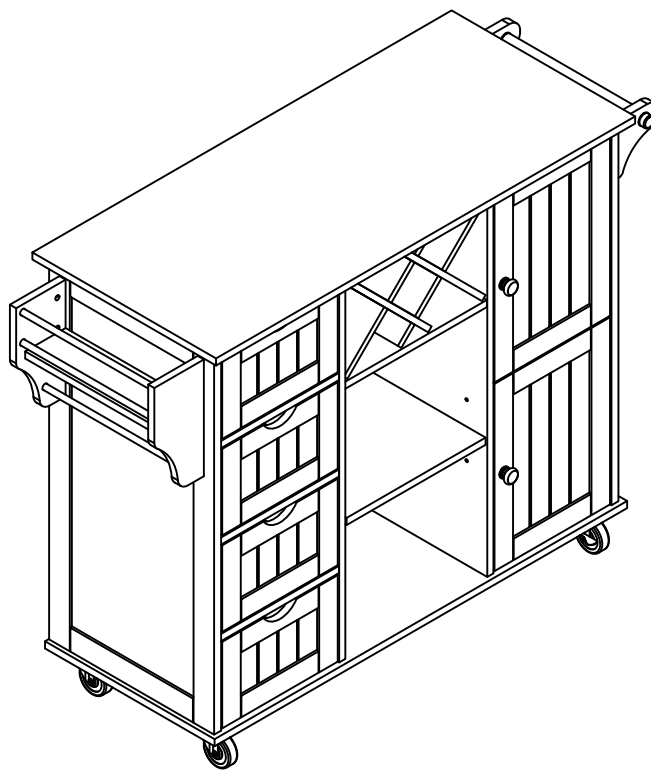


Kitchen Islands Carts

Assembly Instructions - Please keep for future reference

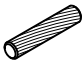
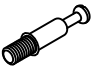




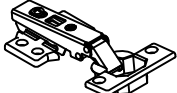


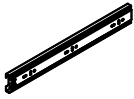











Important – Please read these instructions fully before starting assembly

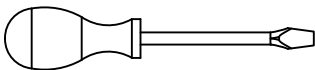
Components - Fittings

Please check you have all the panels listed below

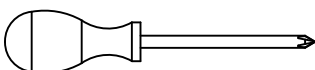
Note: The quantities below are the correct amount to complete the assembly. In some cases more fittings may be supplied than are required.

<p>(A)  Dowel x32</p>	<p>(B)  Cam Bolt x41</p>	<p>(C)  Cam lock x41</p>	<p>(D)  4*35mm Screw x29</p>
<p>(E)  Handle x2</p>	<p>(F)  4*18mm Bolt x2</p>	<p>(G)  Door Hinge x4</p>	<p>(H)  3.5*14mm Screw x25</p>
<p>(I)  3.0*12mm Screw x50</p>	<p>(J)  Drawer slide 12" x8</p>	<p>(K)  Shelf Support Pin x4</p>	<p>(L)  6*45mm Bolt x8</p>
<p>(M)  x8</p>	<p>(N)  Buckle x12</p>	<p>(O)  3*16mm Wcrew x12</p>	<p>(P)  Allen Key x1</p>
<p>(Q)  Caster x3</p>	<p>(R)  Locking Caster x2</p>	<p>(S)  6*12mm Bolt x20</p>	

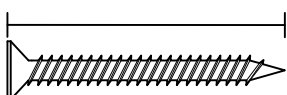
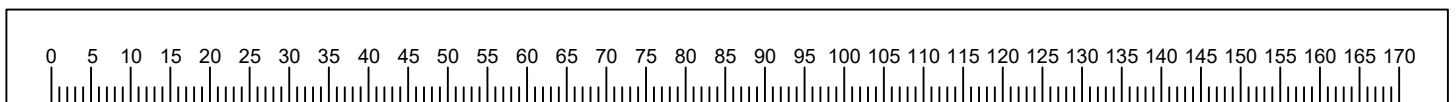
Tools required



Phillips screwdriver
(medium & large)

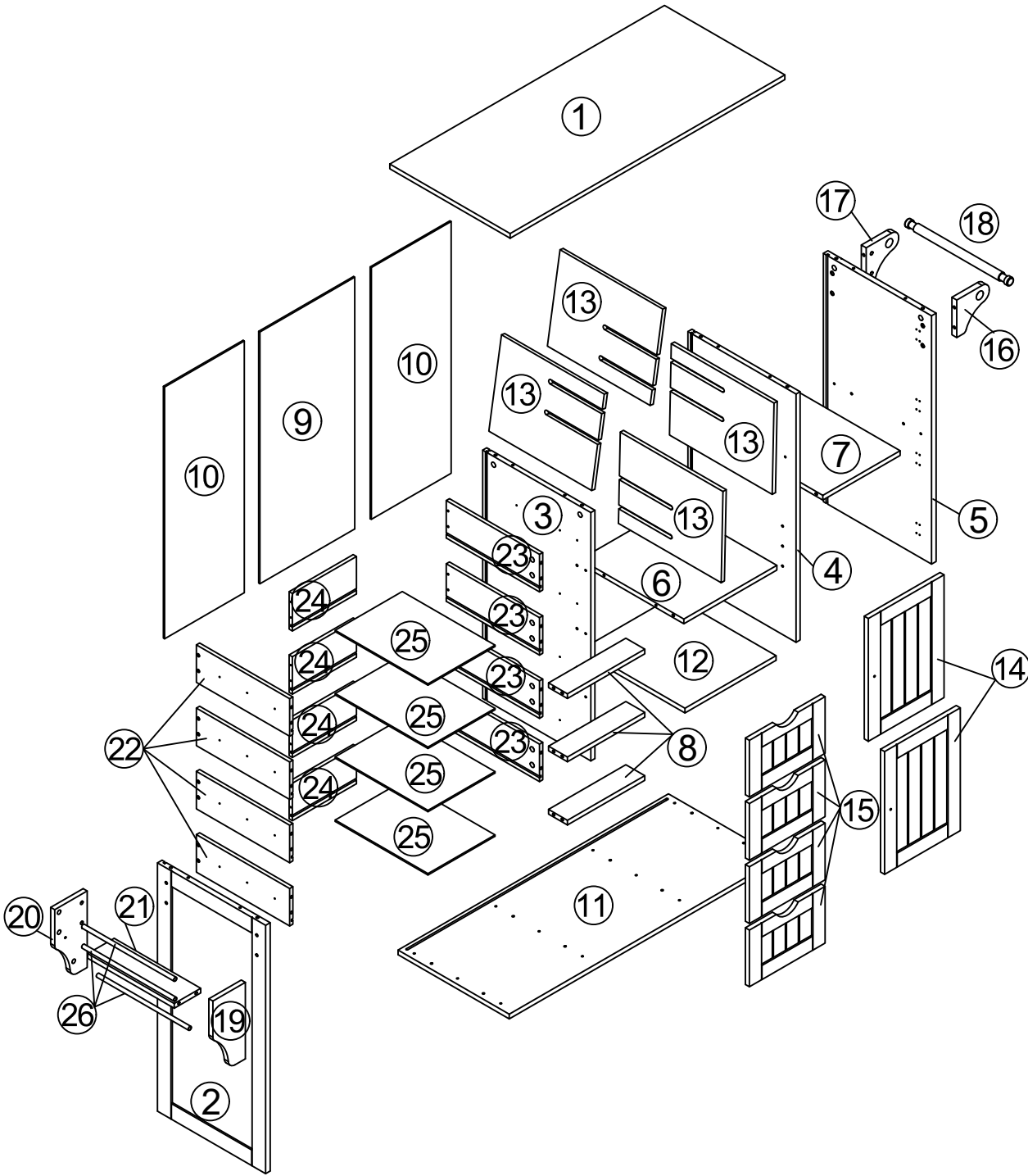


Ruler - Use this ruler to help correctly identify the screws



The screws length is measured from the head to the point (35mm screw shown).

Assembly Instructions



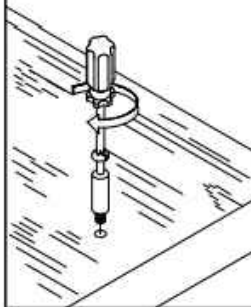
Using Camlocks

Step 1

Connect the male camlock as directed in the assembly instructions using a screwdriver.

1

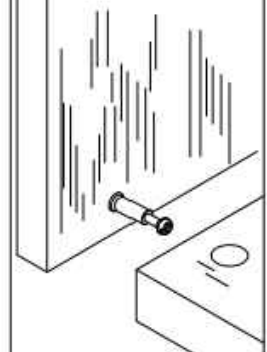
DO NOT OVER TIGHTEN.
NE PAS SERRER EXCESSIVEMENT.



Step 2

Push the male camlock into the entry hole.

2

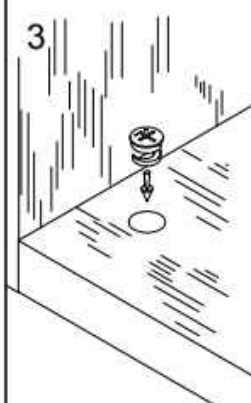


Step 3

Insert the female camlock as shown in the instruction.

Note: ensure that the arrow on the top of the camlock points towards the entry hole for the male camlock.

3



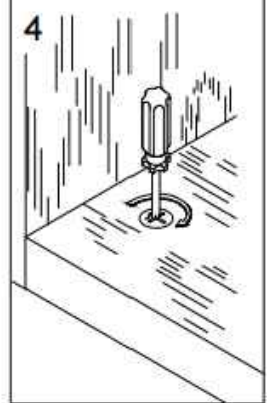
Step 4

Turn the female camlock clockwise with a screwdriver.

You should feel a click when the camlock is locked in place.

The joint is now secure.

4



Adjusting Hinges

Hinge adjustment:

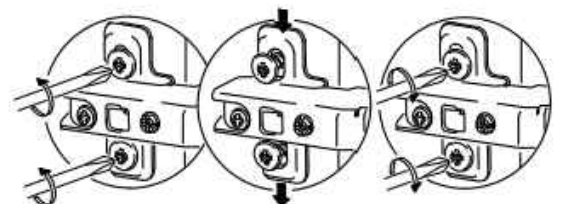
a: To move the top panel up or down, loosen screws shown and move top panel to suit

b: To move the top panel in or out, loosen screws shown and move top panel to suit.

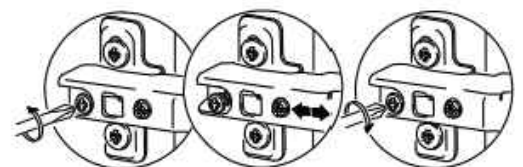
Retighten screws

c: To move the top panel left or right, adjust screws shown.

a:



b:

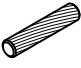
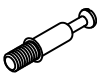



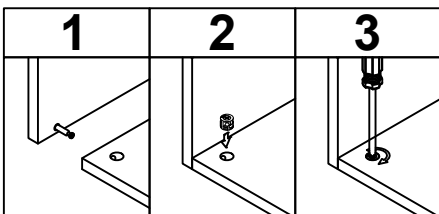
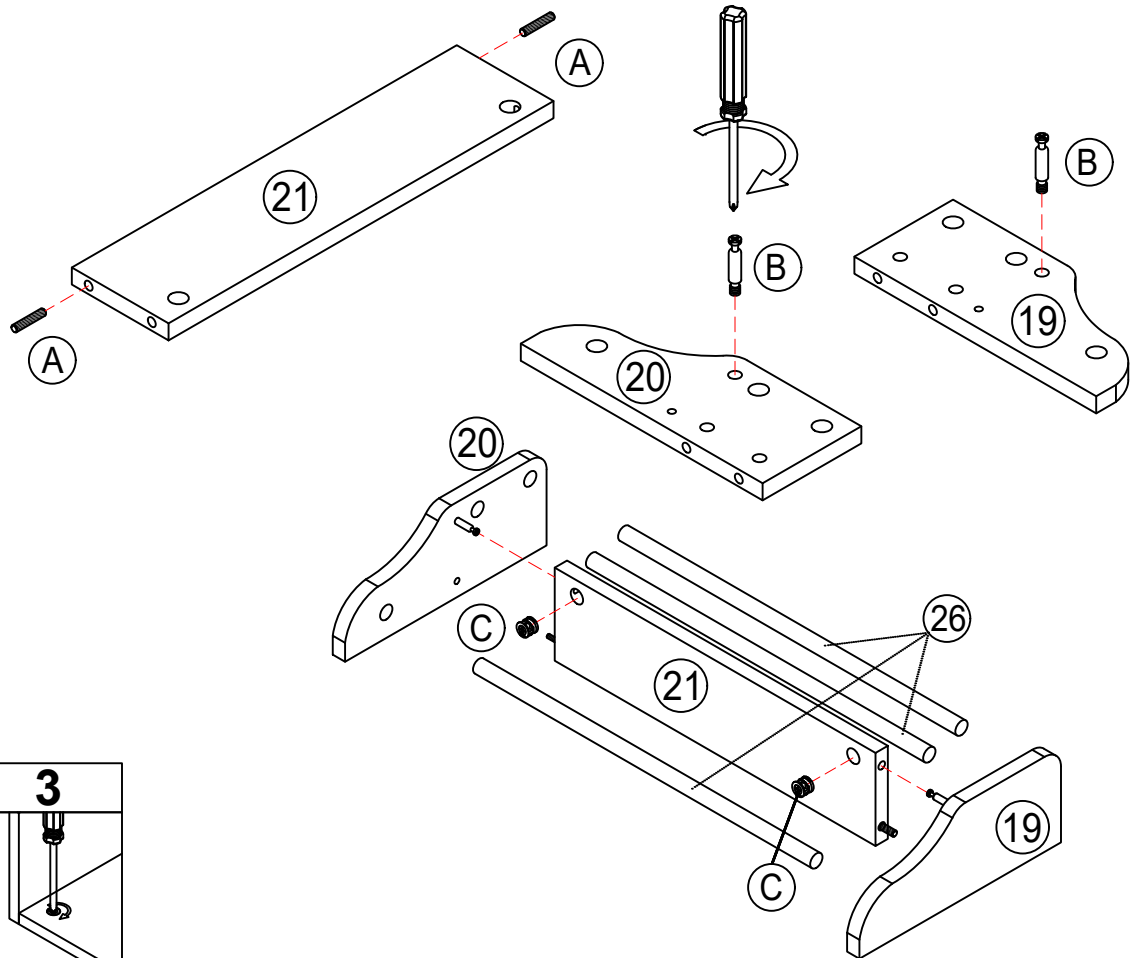
c:






Assembly Instructions

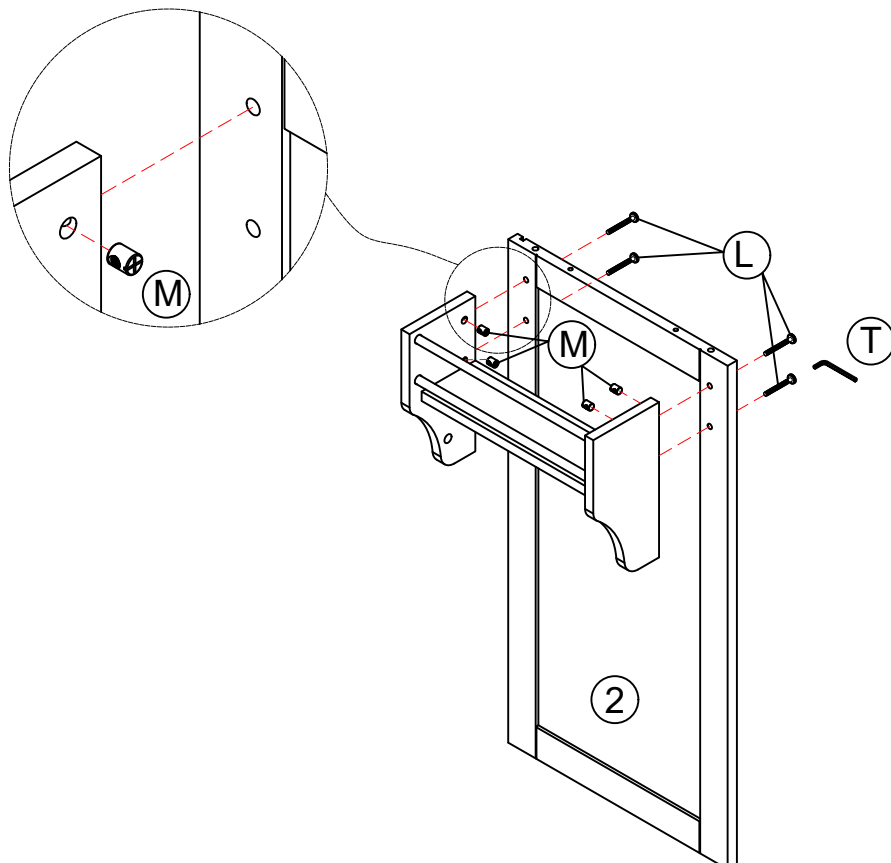
Step 1

- (A) 
Ø6*30mm Dowel x2
- (B) 
Cam Bolt x2
- (C) 
Cam lock x2



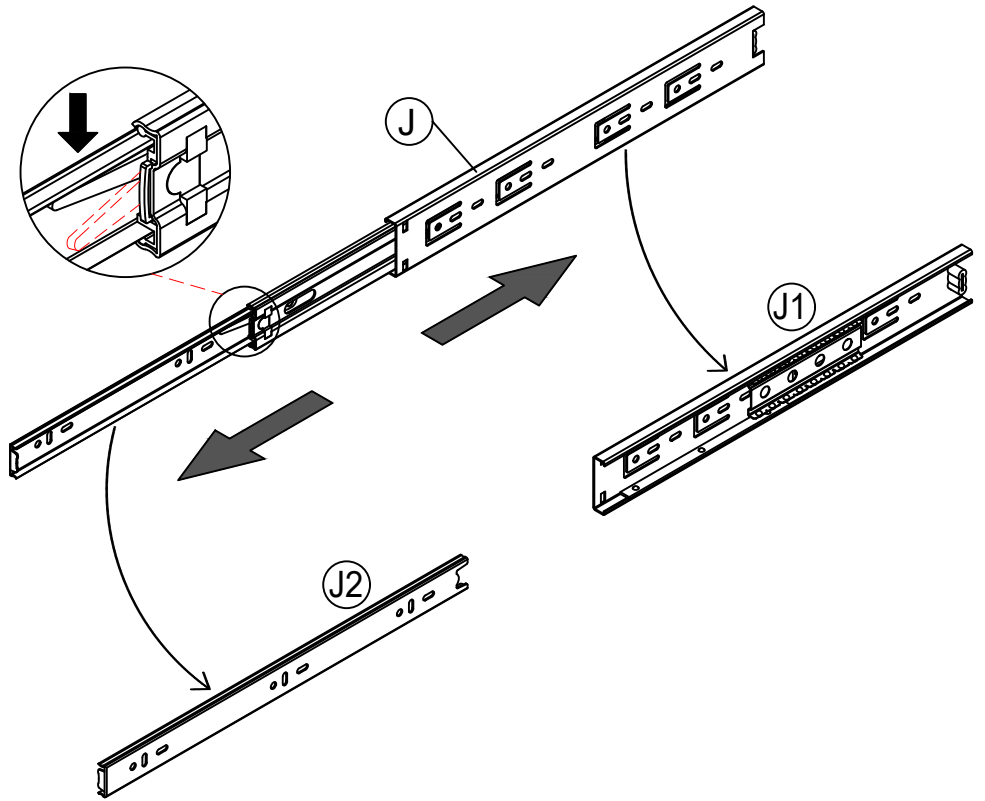
Step 2

- (T) 
Allen Key x1
- (L) 
6*45mm Bolt x4
- (M) 
Vertical nut x4

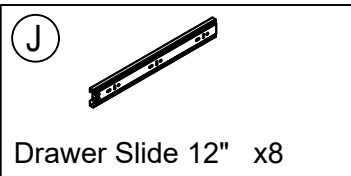


Assembly Instructions

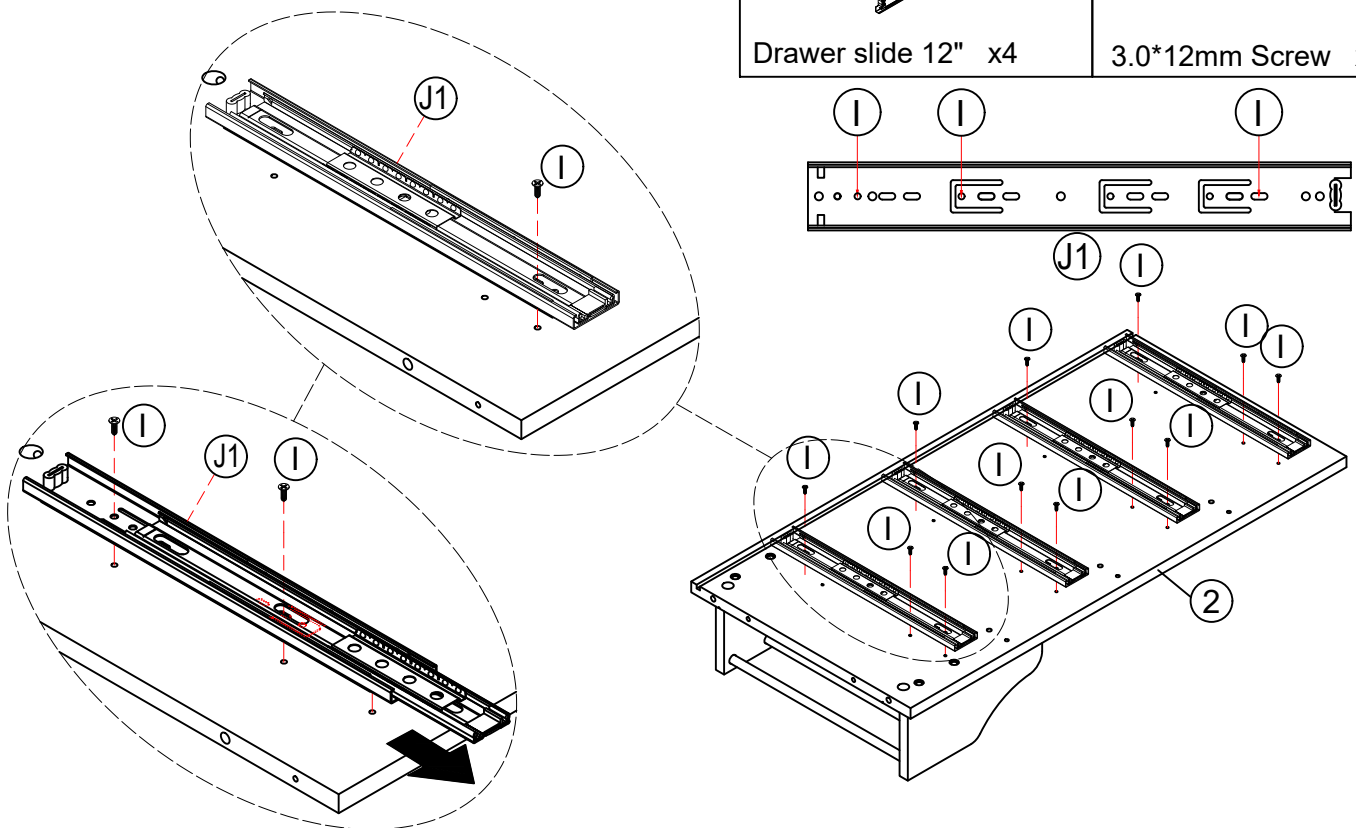
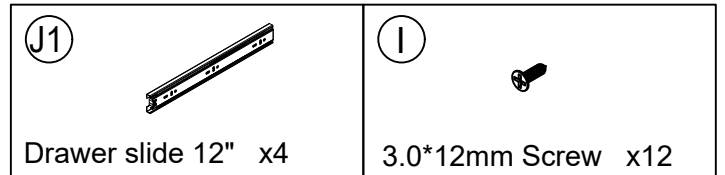
Step 3



Split J into J1 and J2

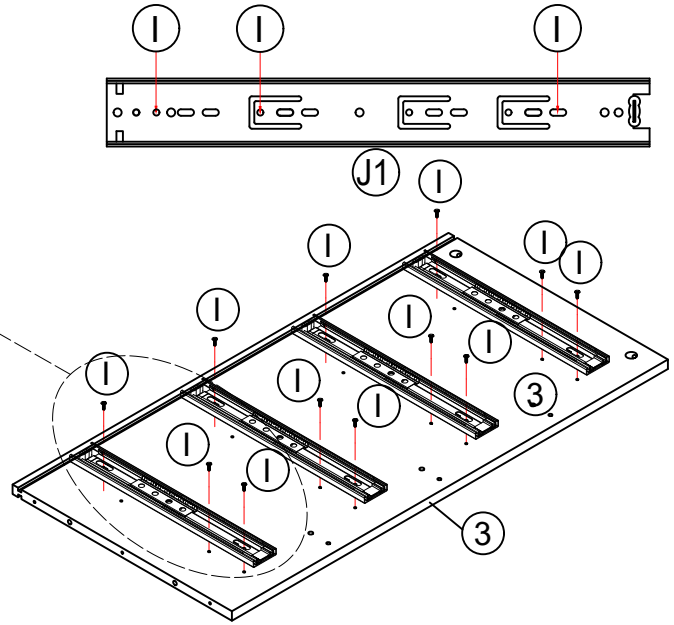
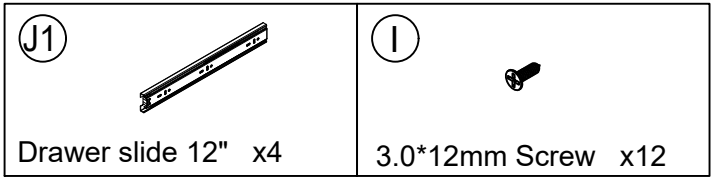
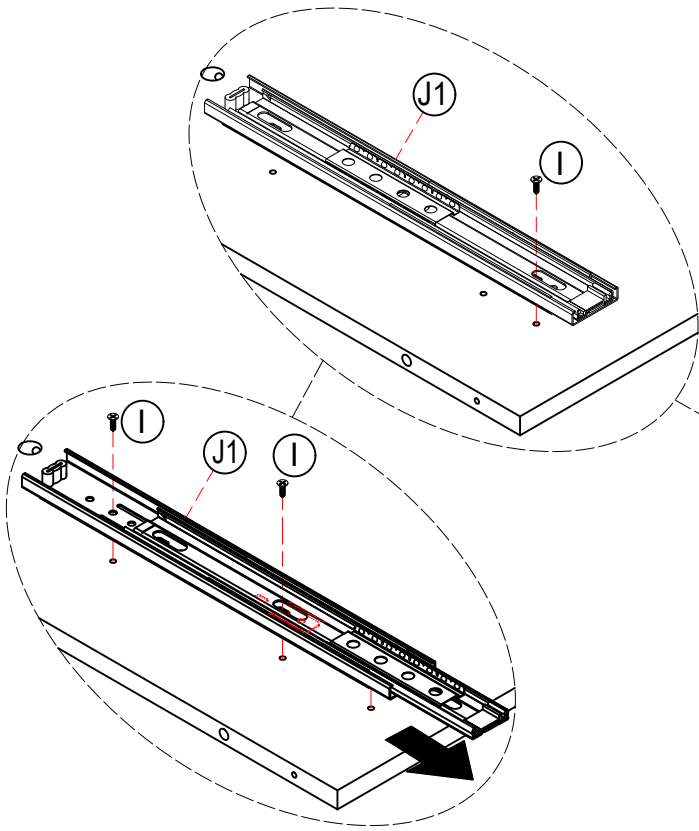


Step 4

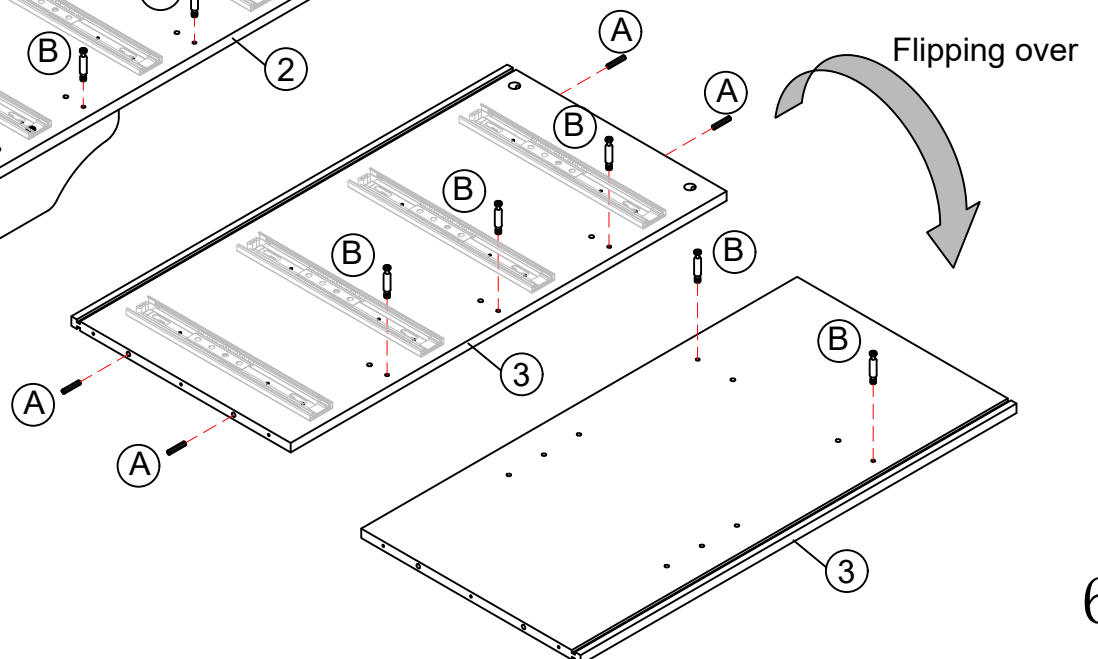
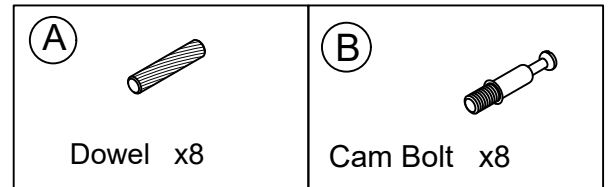
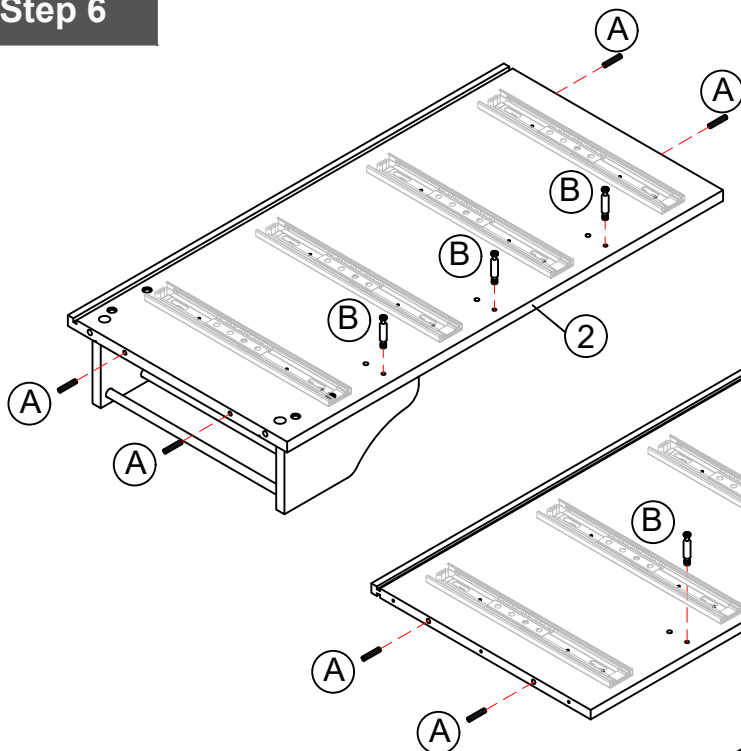


Assembly Instructions

Step 5

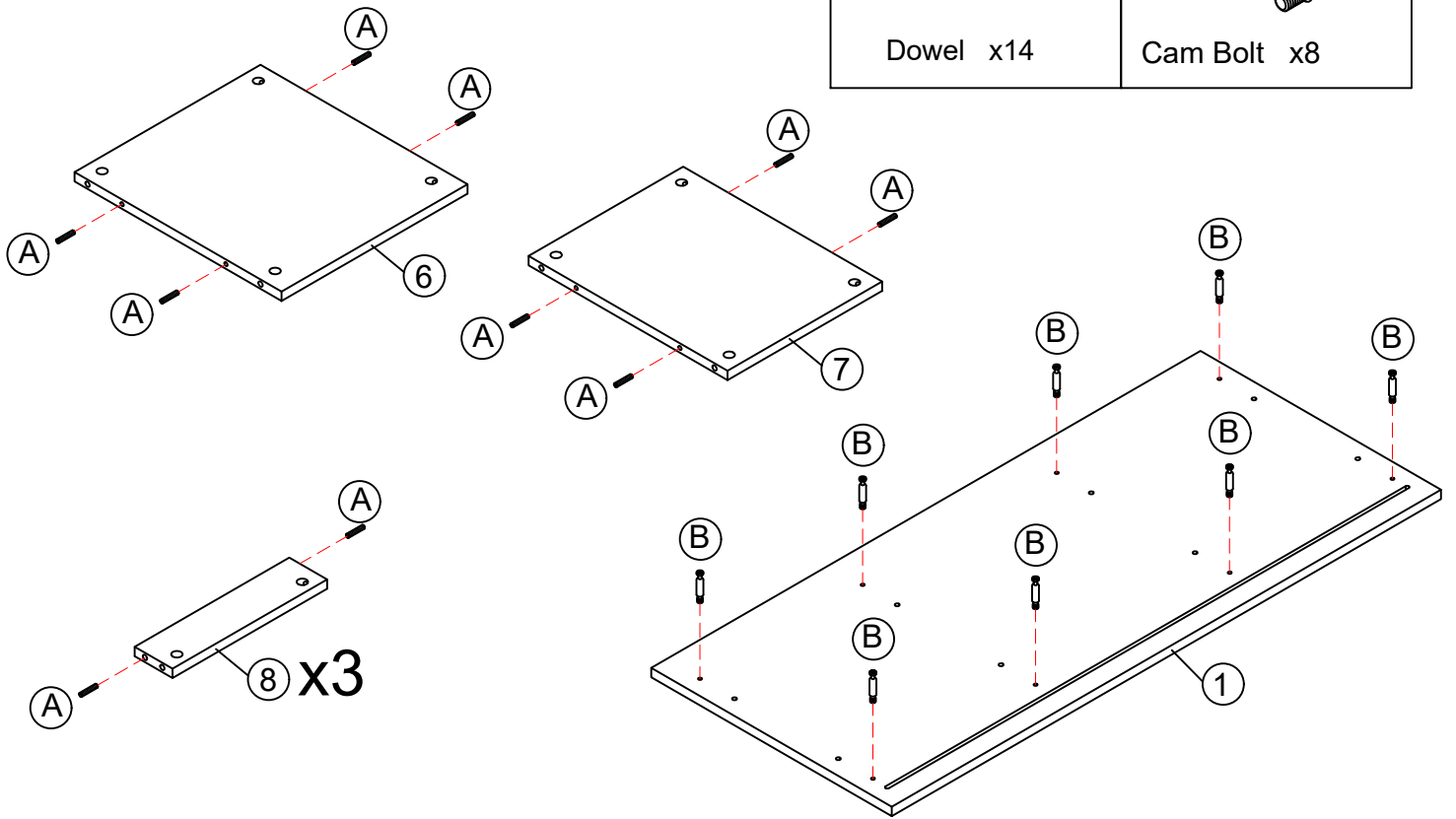


Step 6

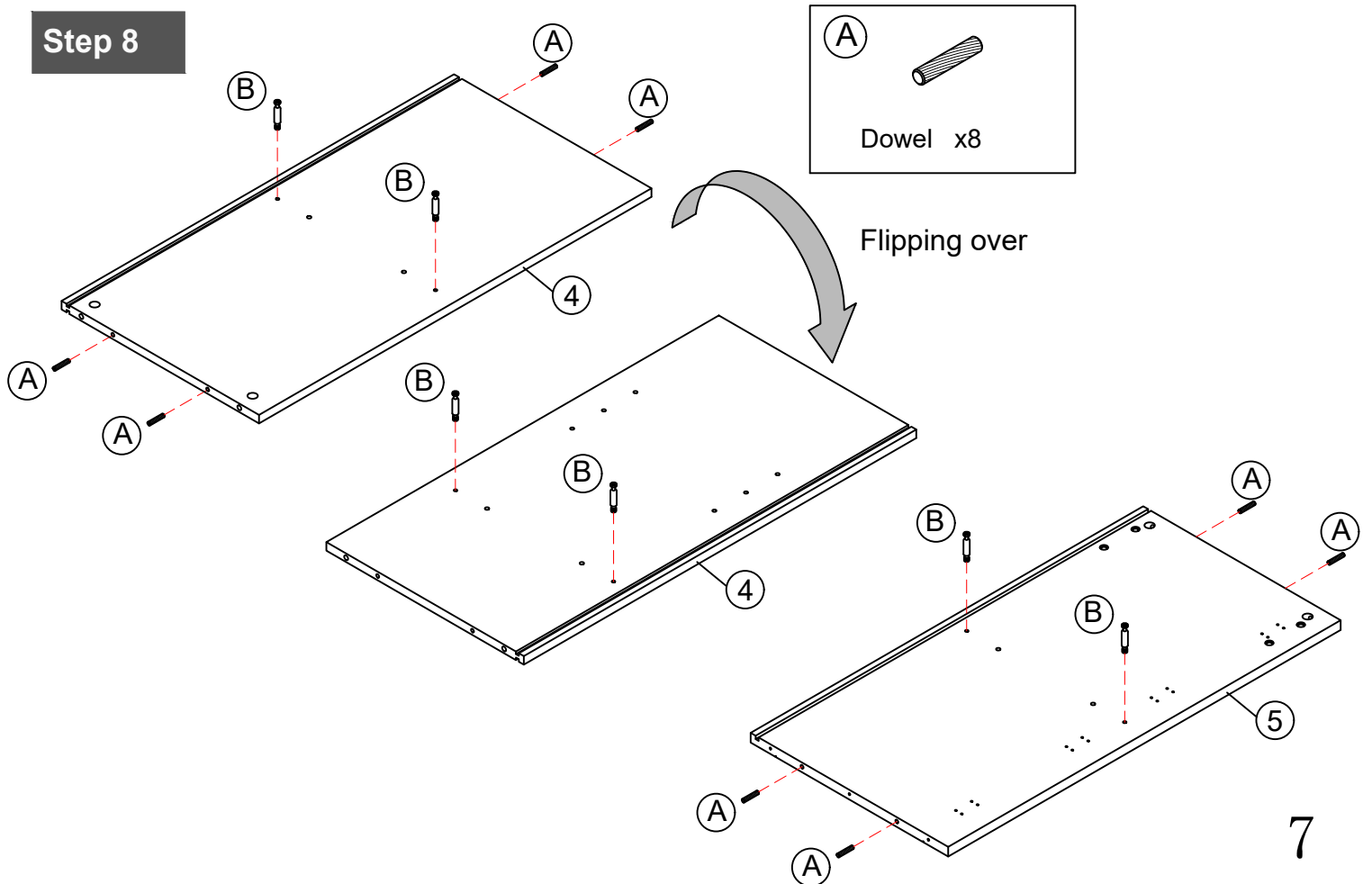


Assembly Instructions

Step 7

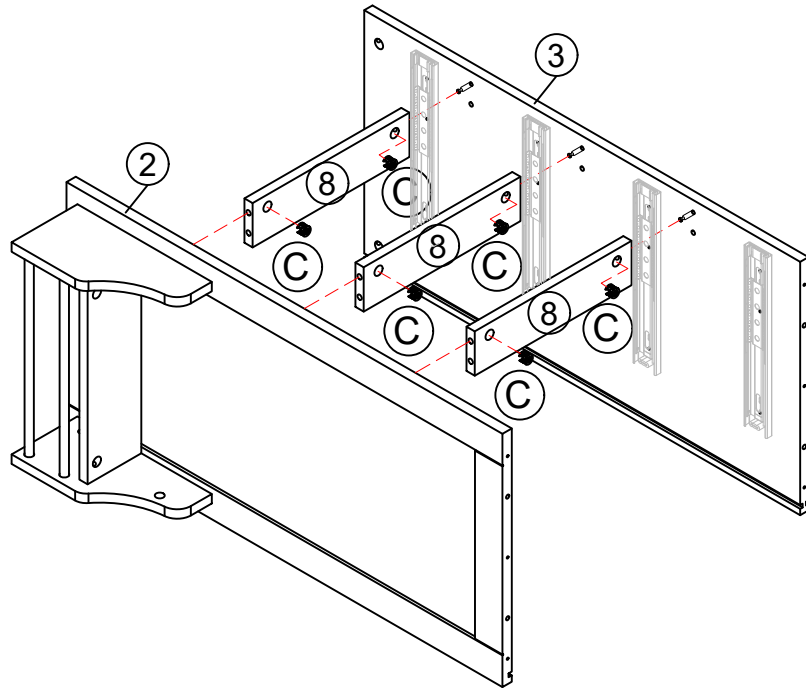
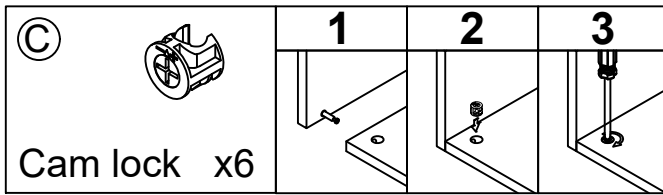


Step 8

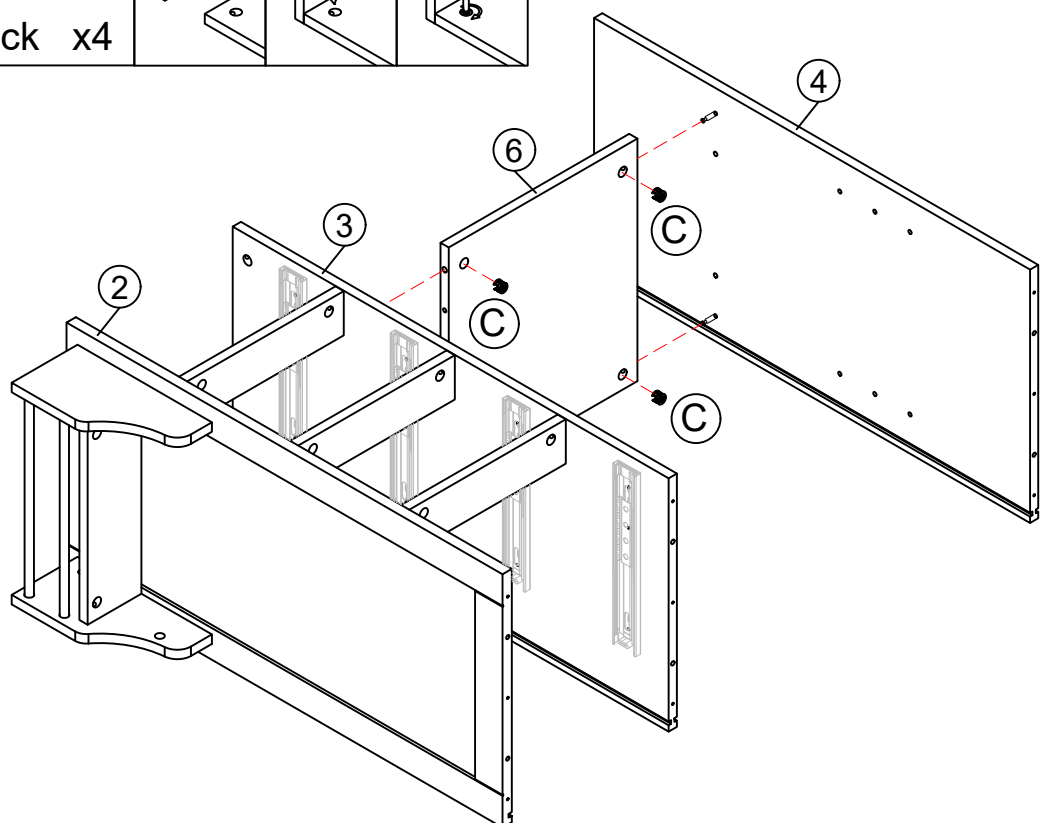
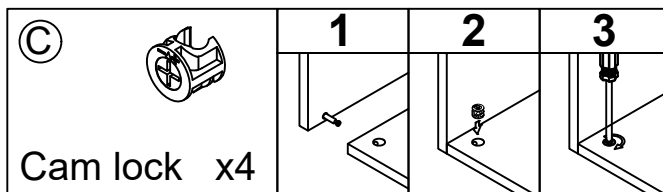


Assembly Instructions

Step 9

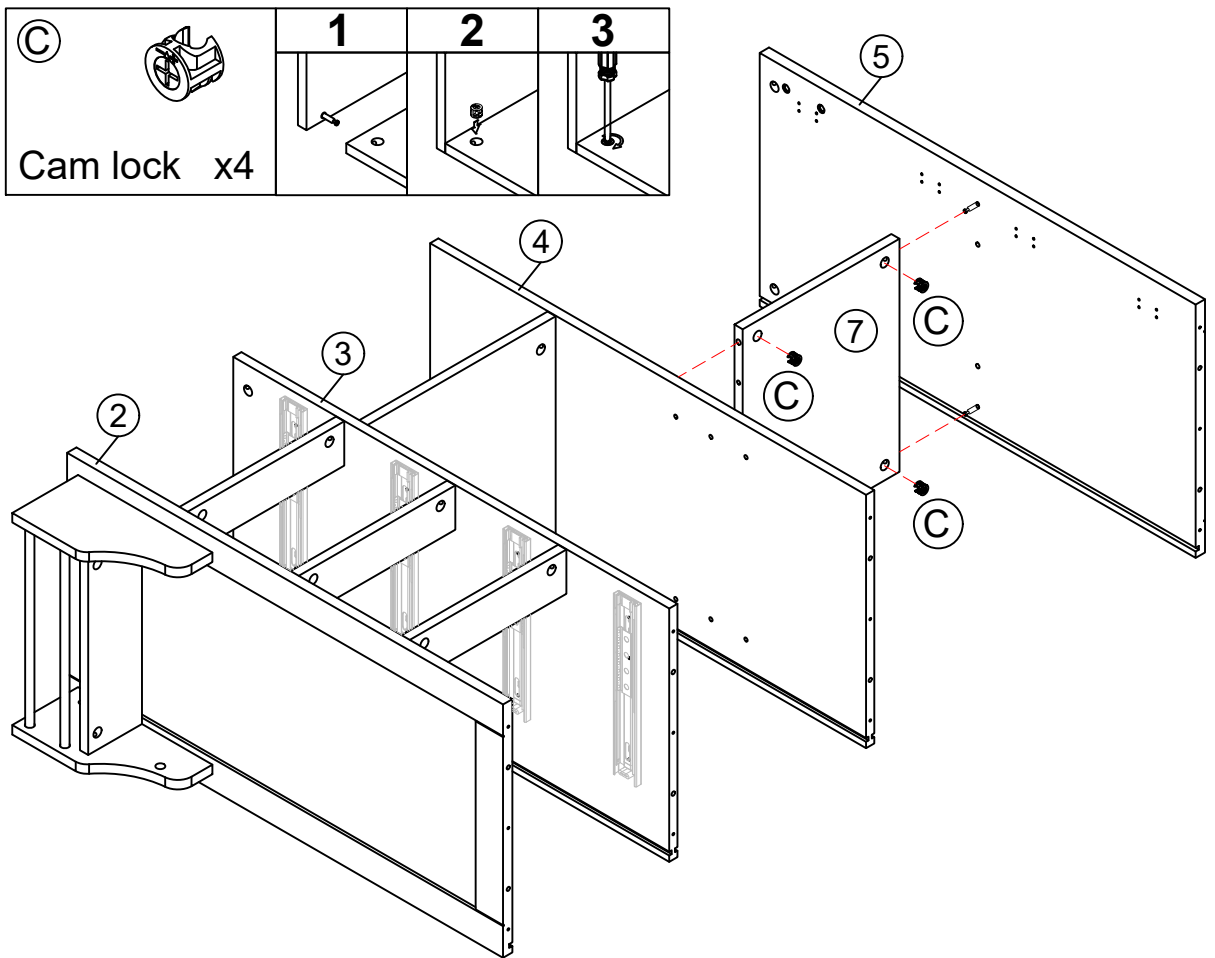


Step 10

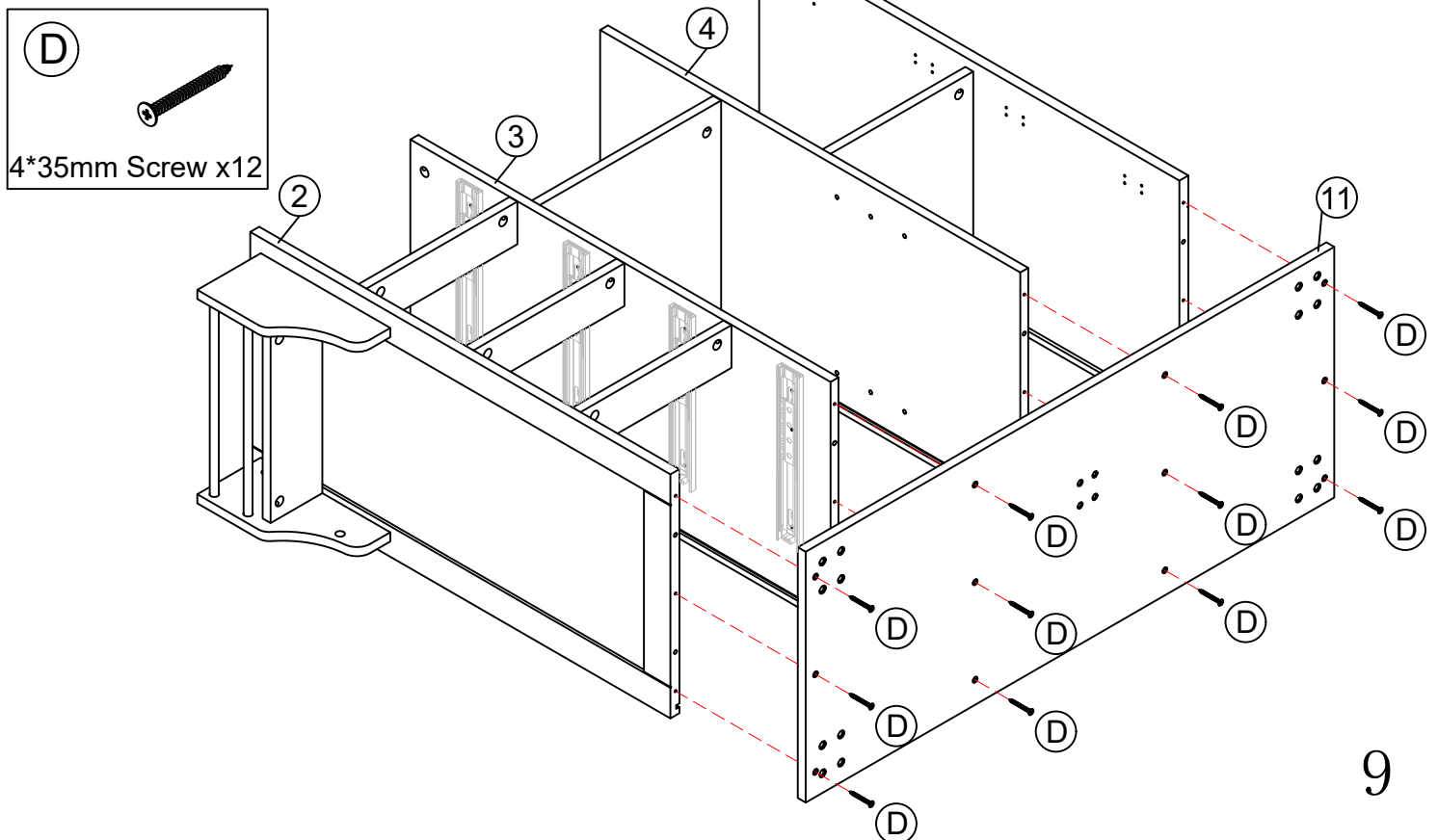


Assembly Instructions

Step 11

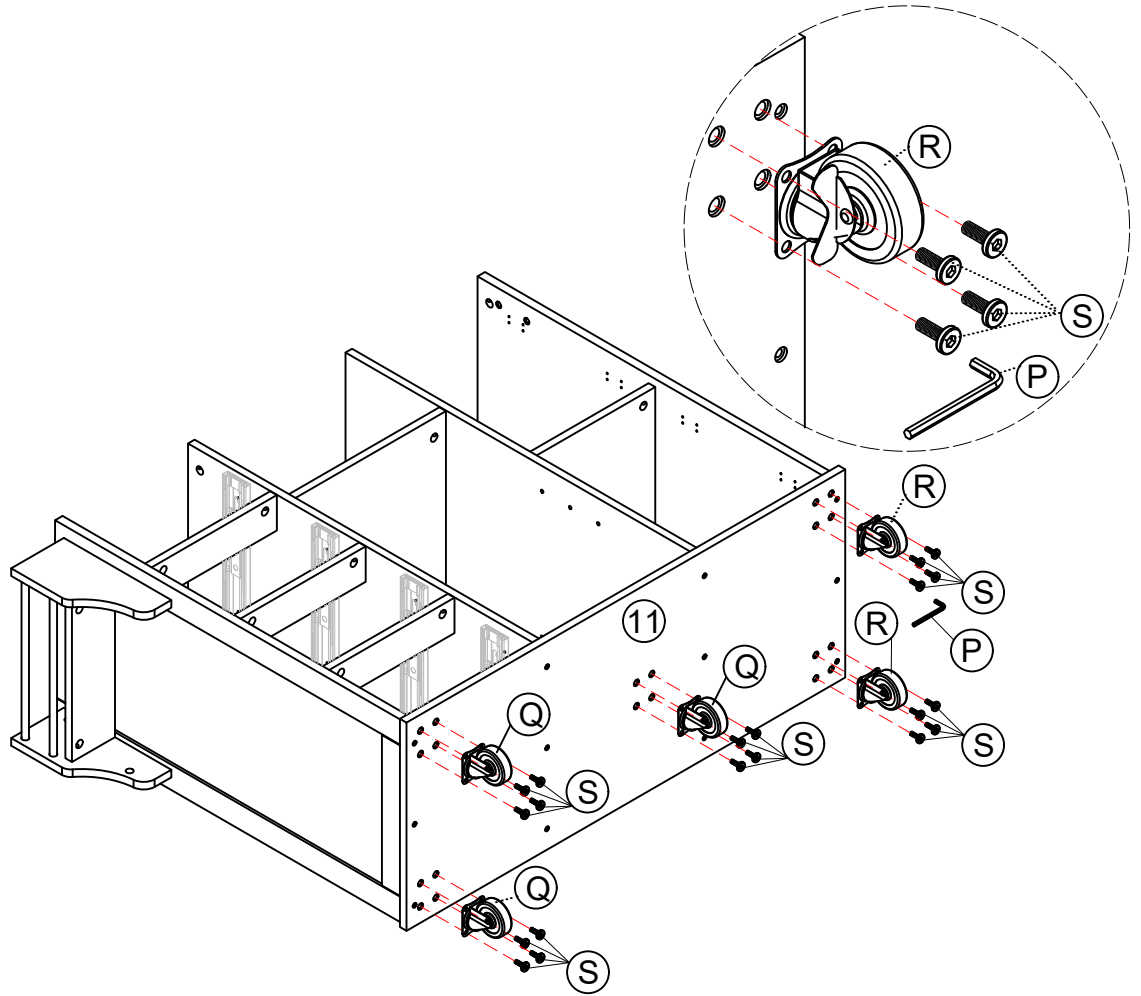
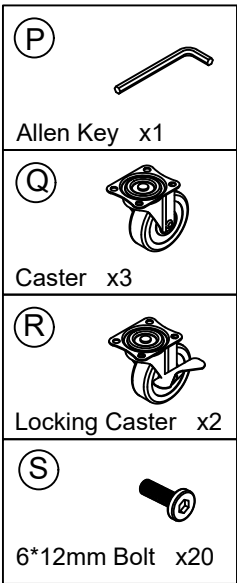


Step 12

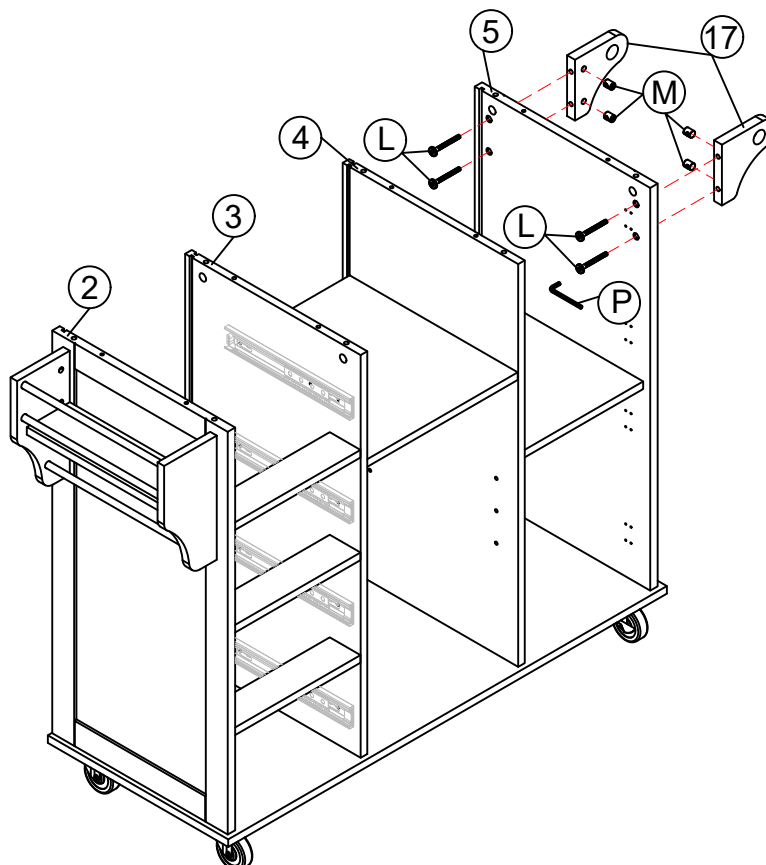
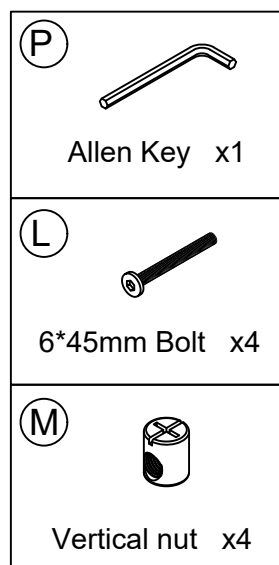


Assembly Instructions

Step 13

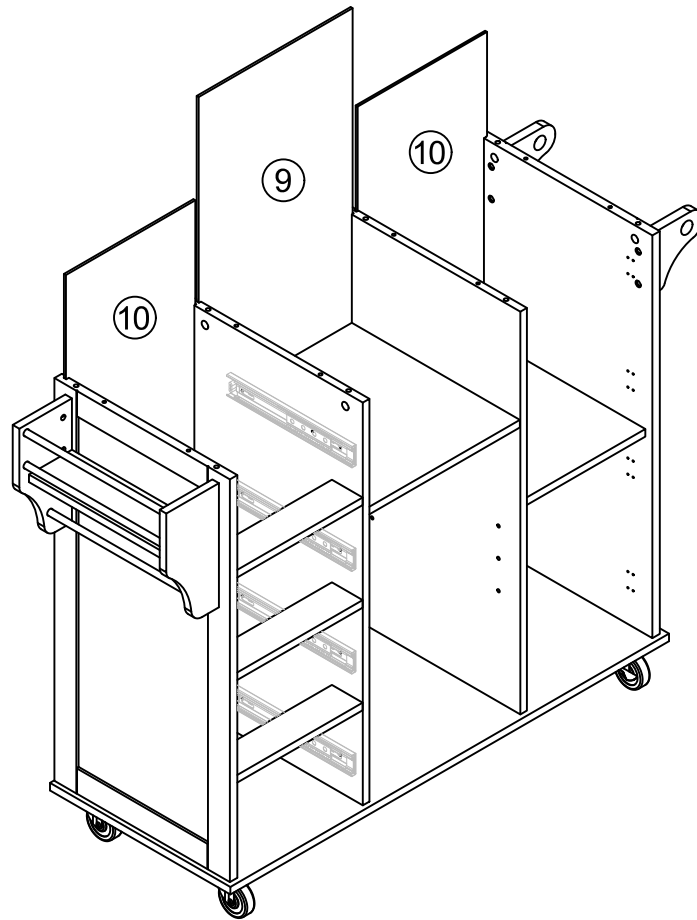


Step 14

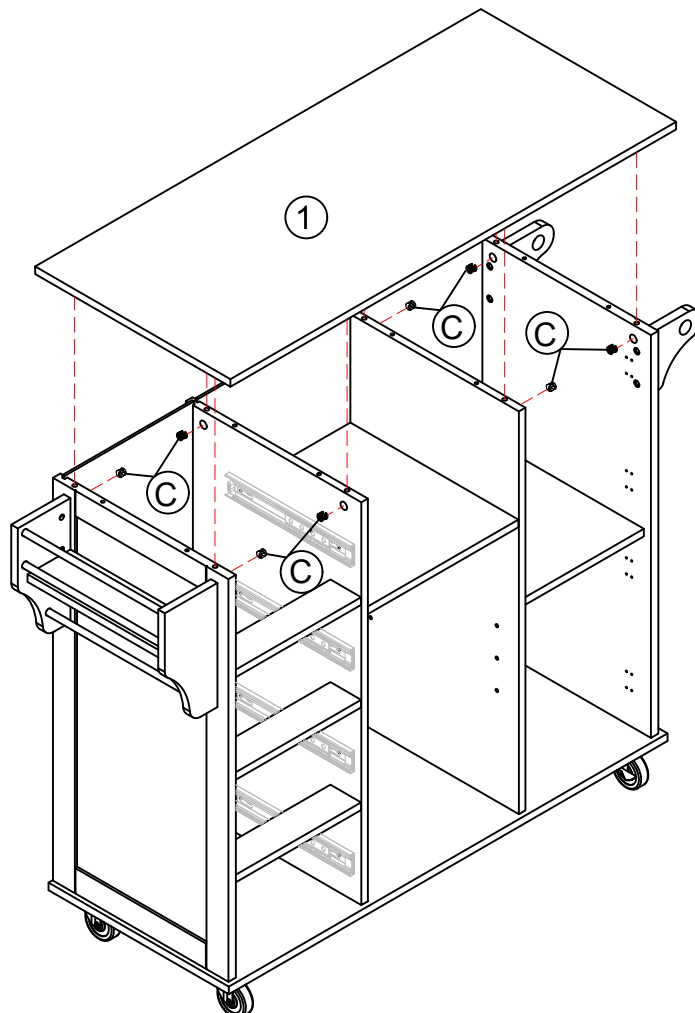
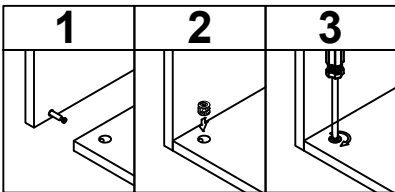
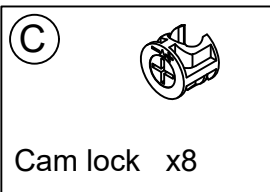


Assembly Instructions

Step 15

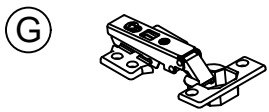


Step 16



Assembly Instructions

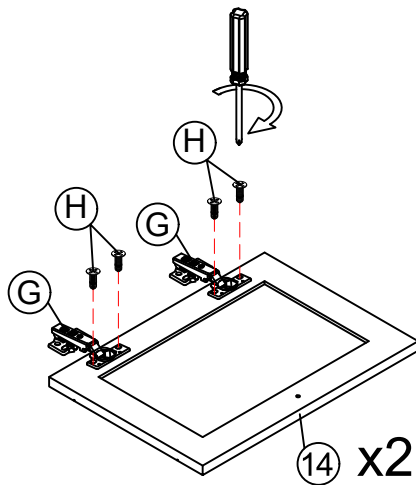
Step 17



Door Hinge x4



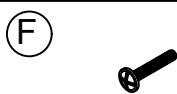
3.5*14mm Screw x8



Step 18



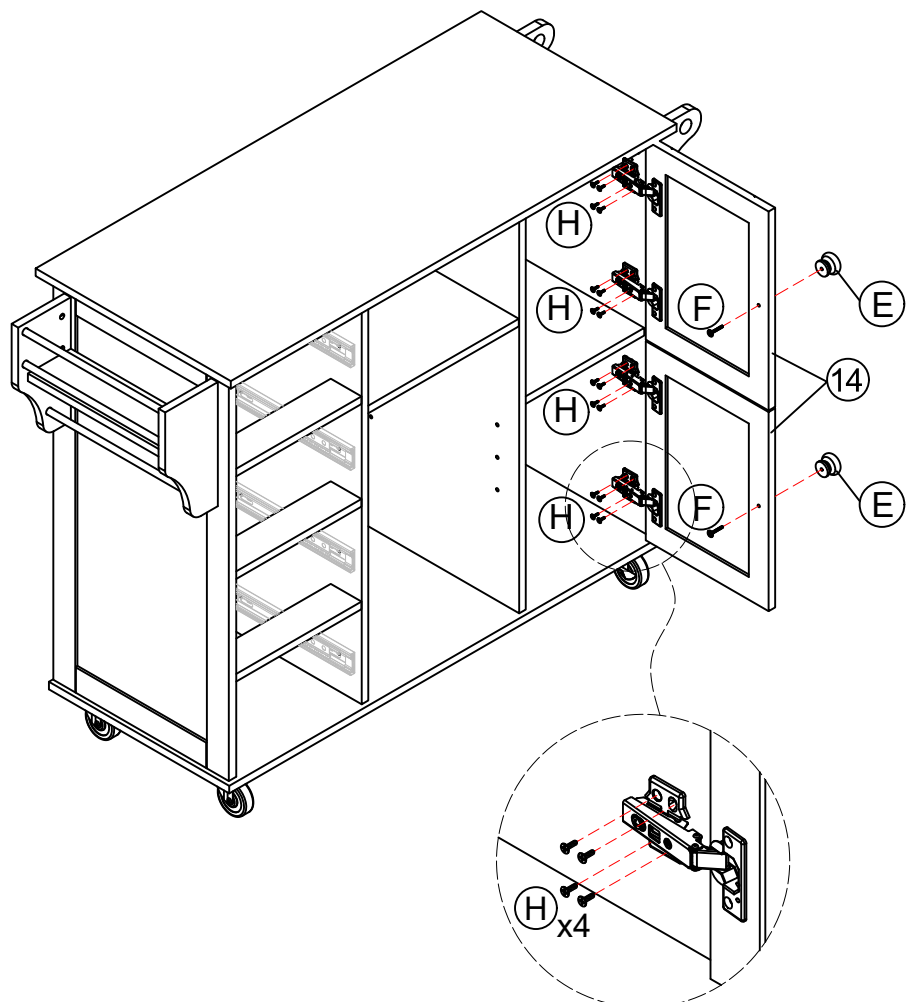
Handle x2



4*18mm Bolt x2

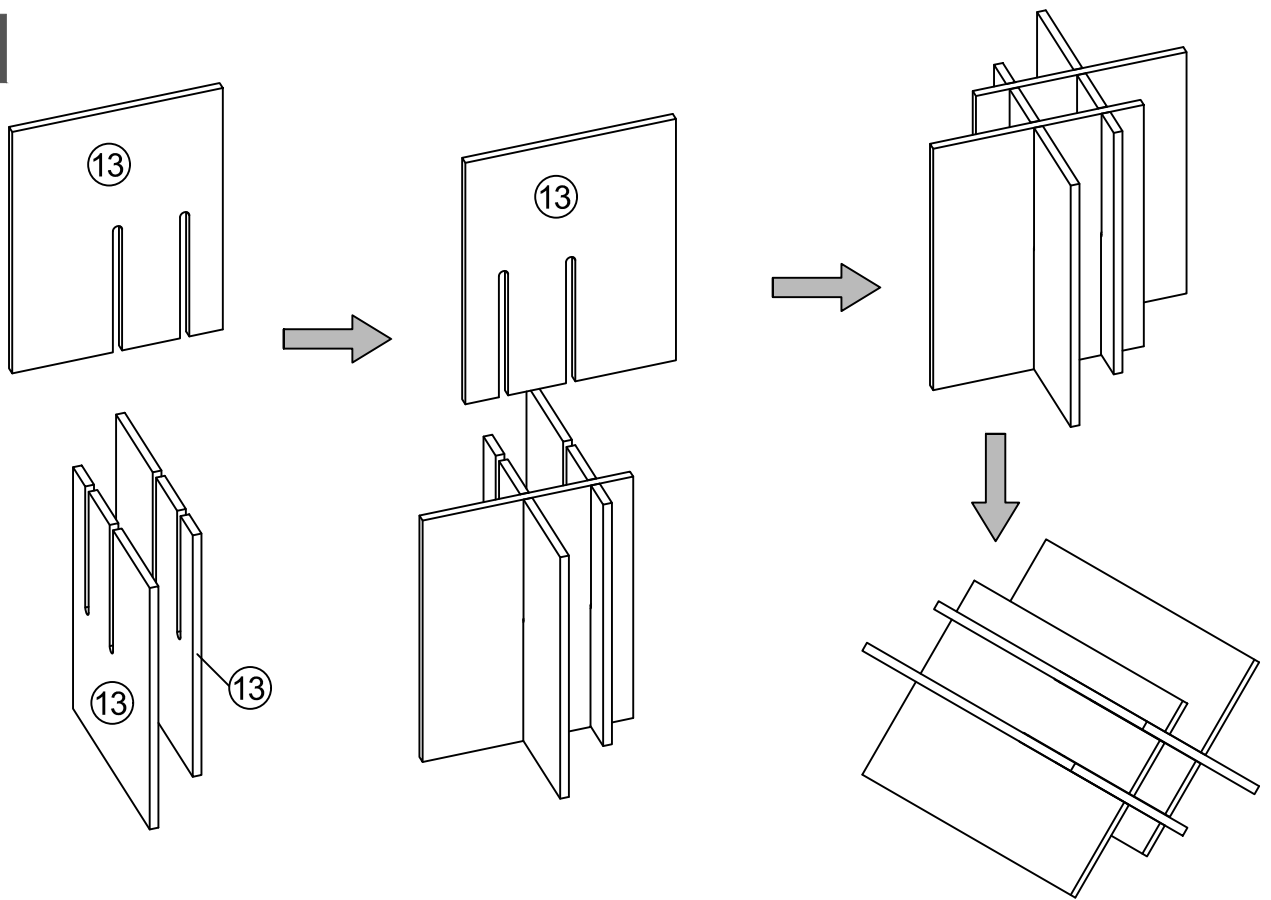


3.5*14mm Screw x16

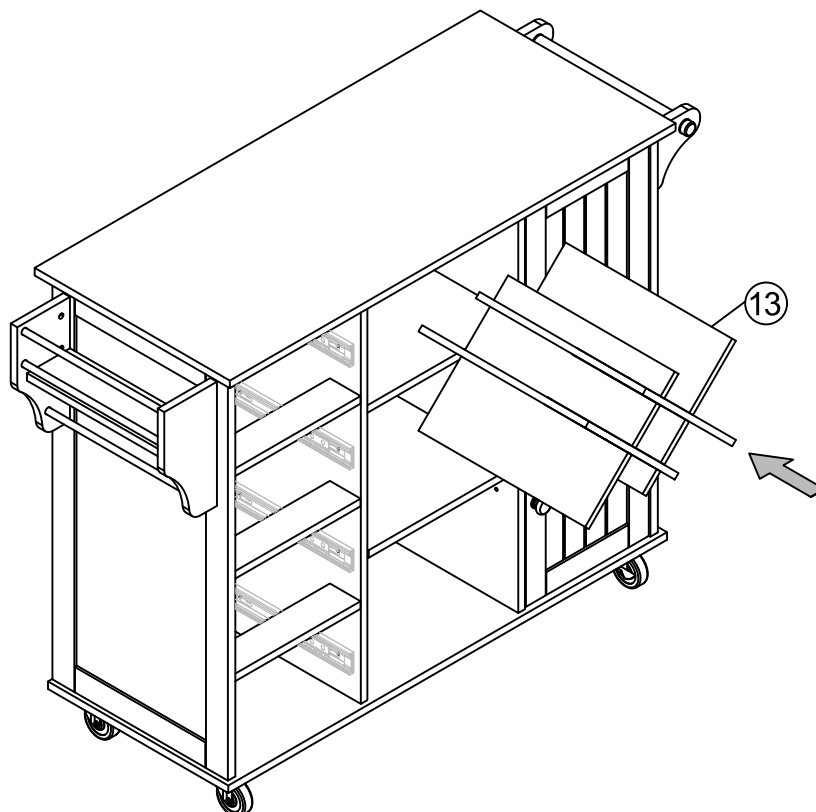


Assembly Instructions

Step 19

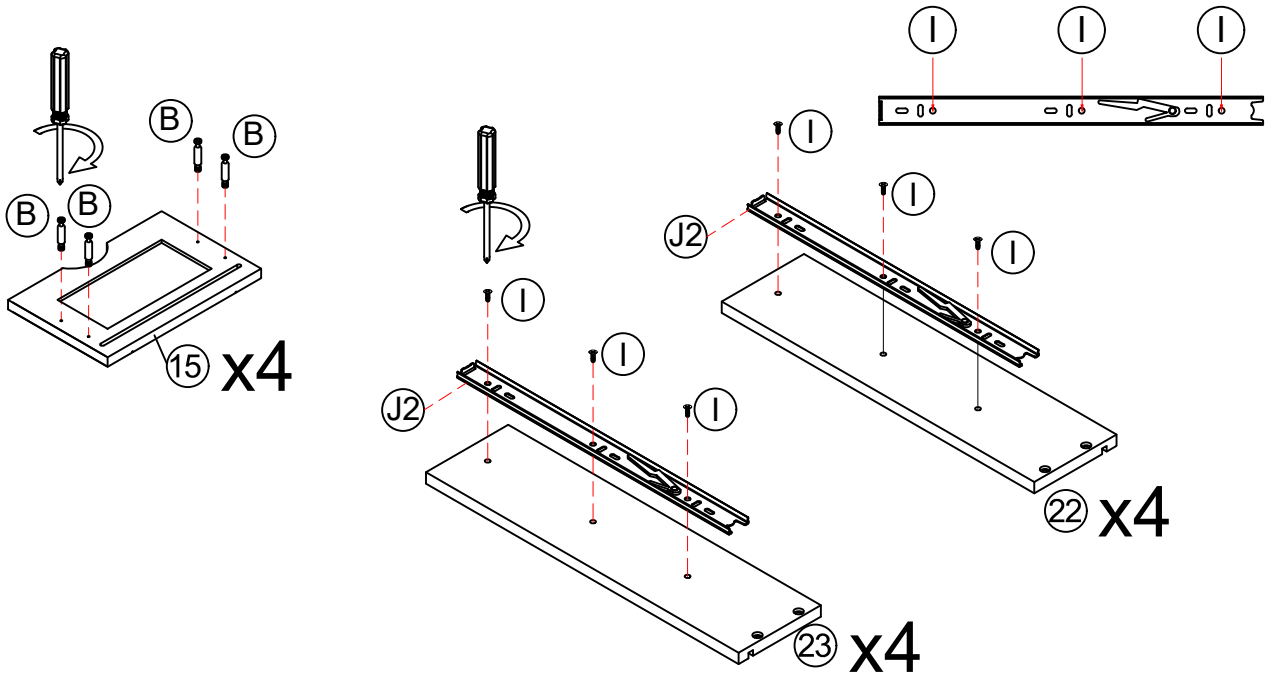
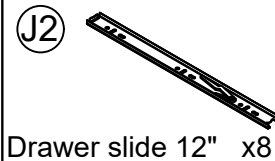
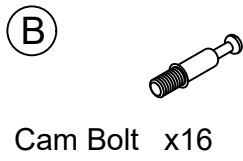


Step 20

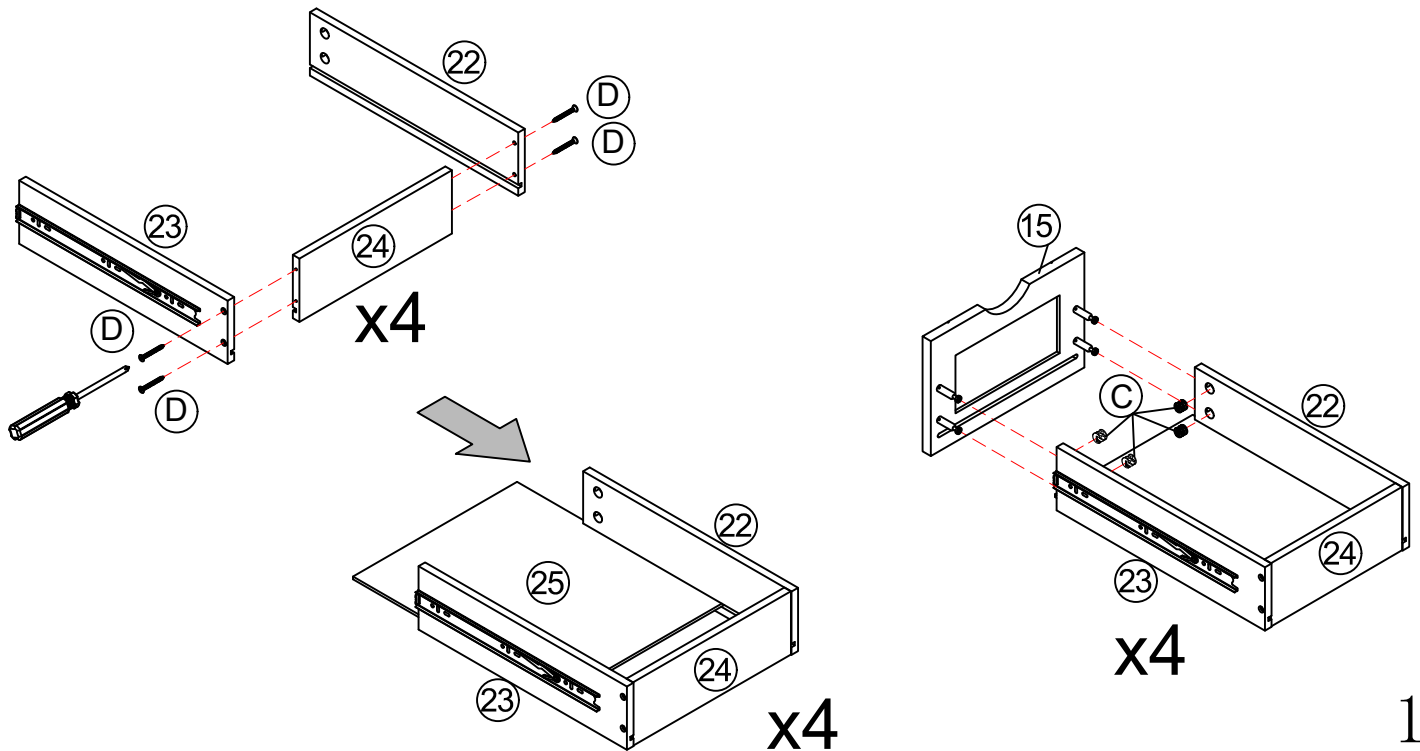
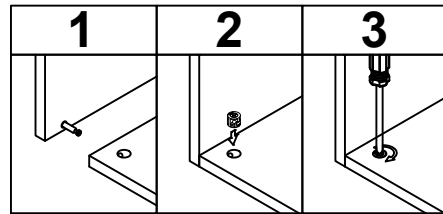
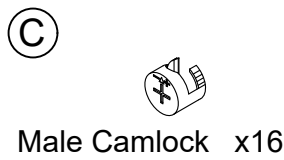


Assembly Instructions

Step 21

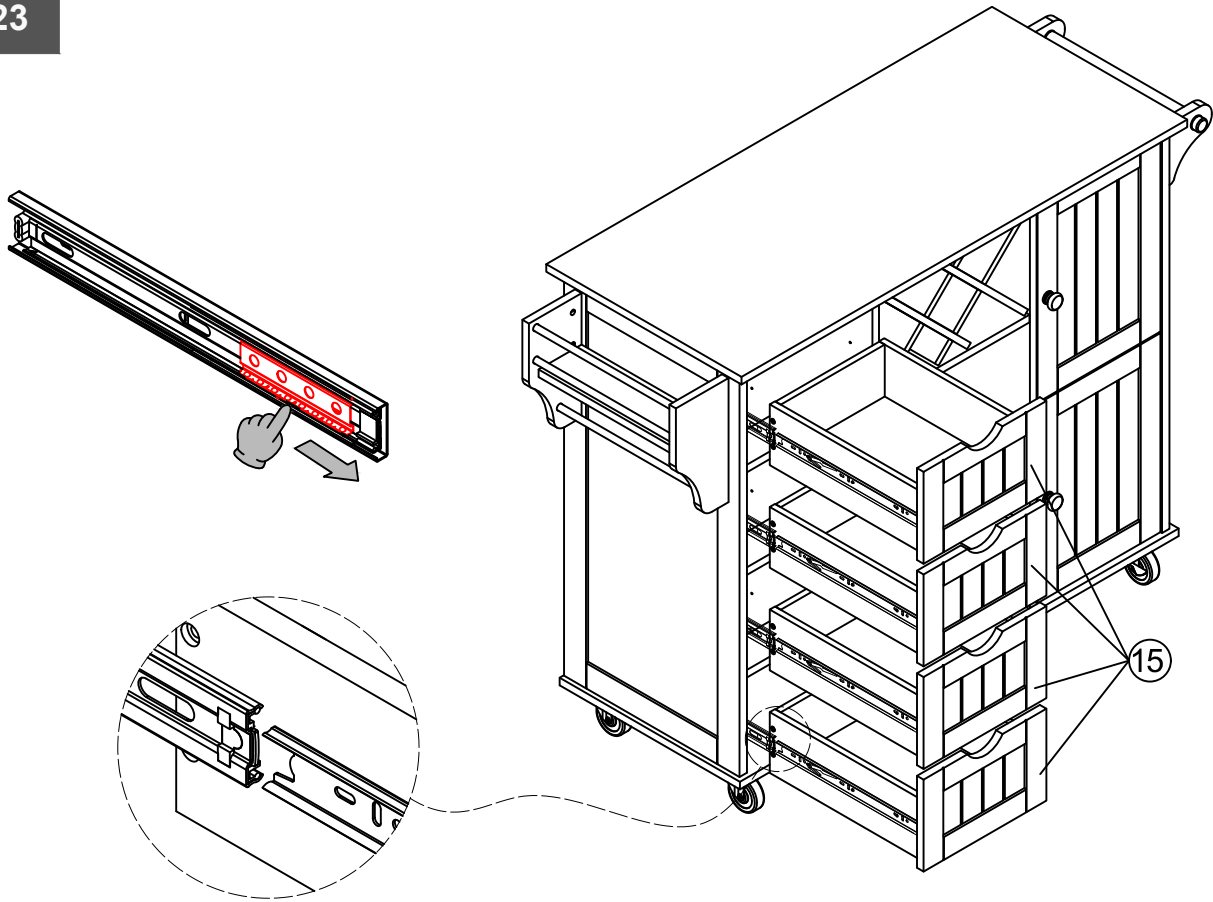


Step 22



Assembly Instructions

Step 23

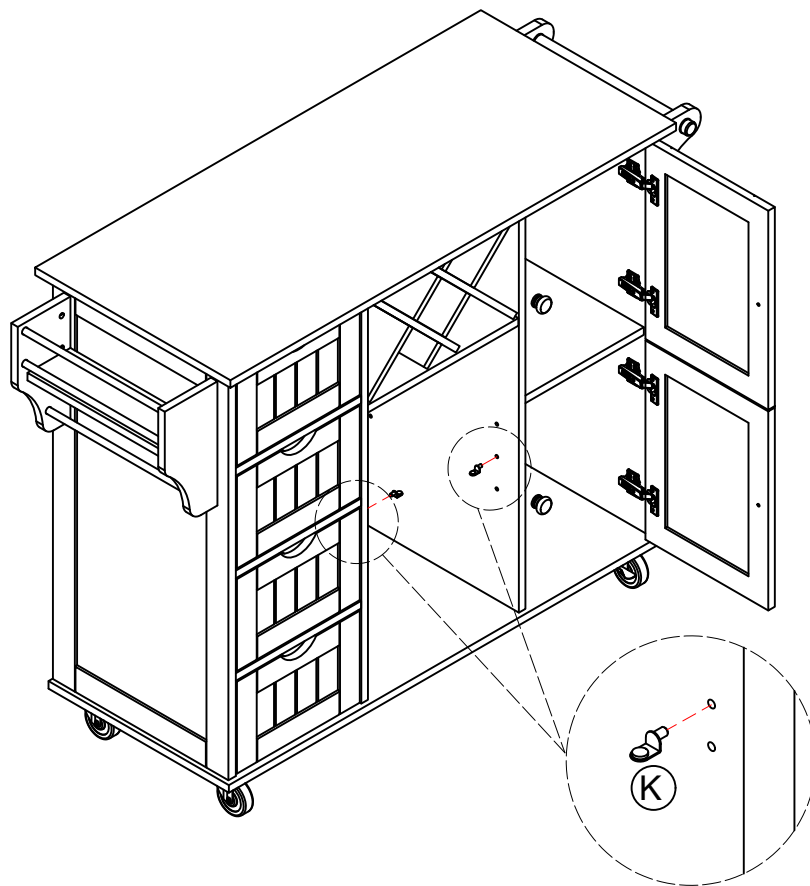


Step 24

(K)

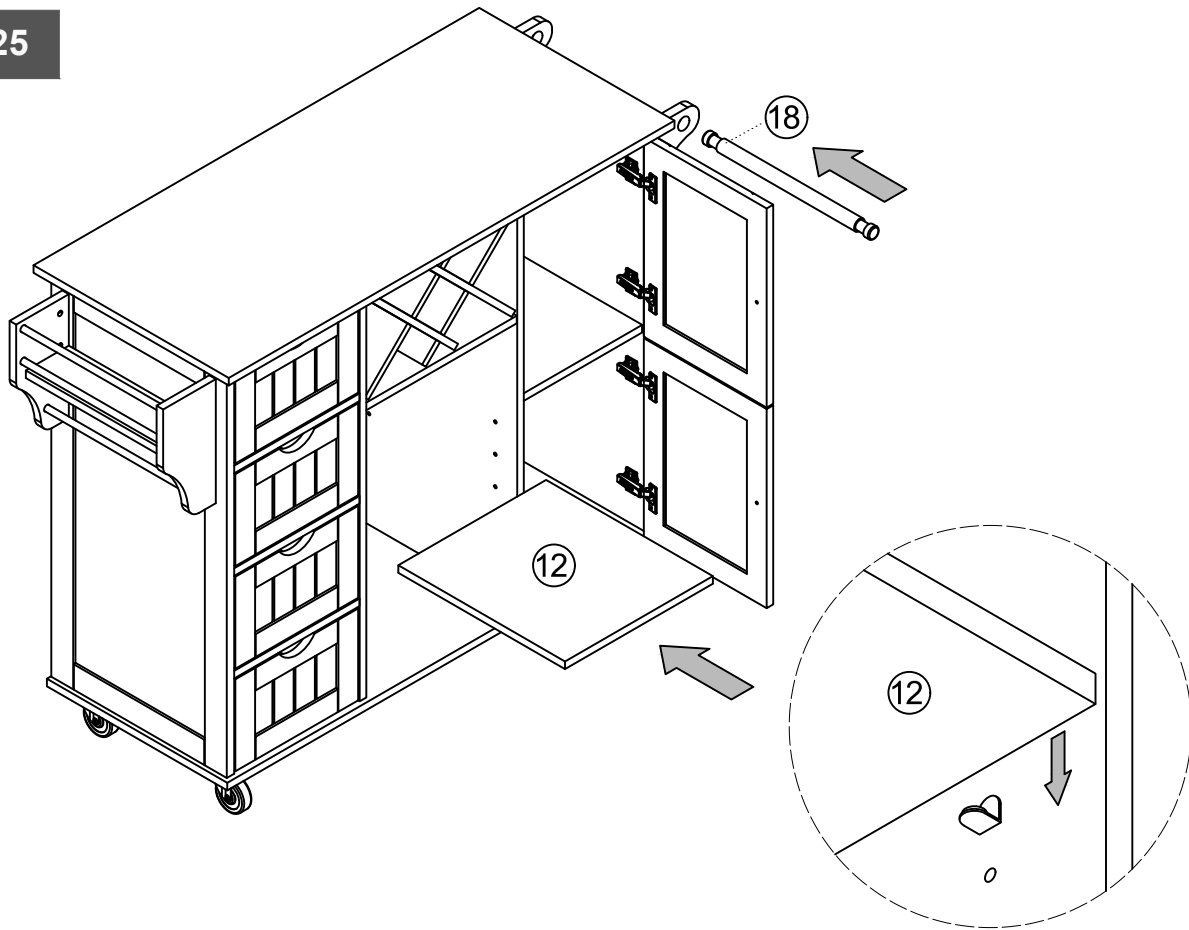


Shelf Support Pin x4



Assembly Instructions

Step 25



Step 26

