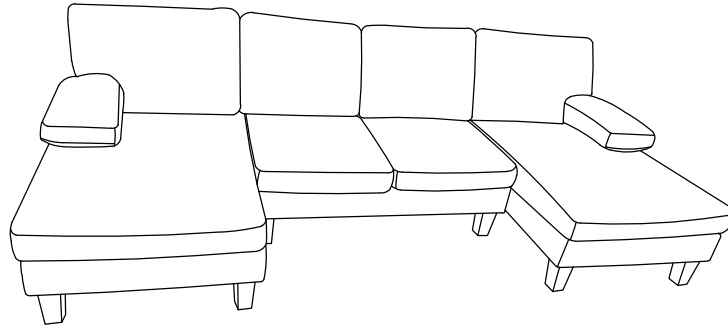
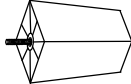
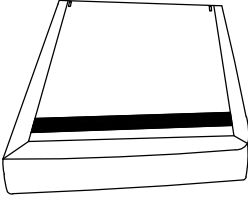

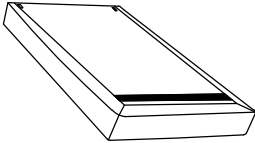

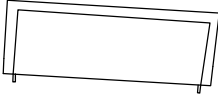
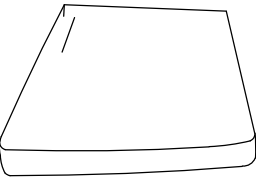
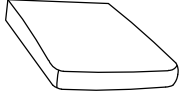
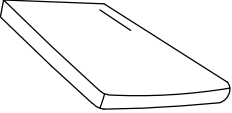
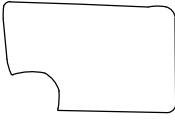
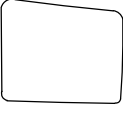






① ASSEMBLY INSTRUCTION

MODEL NO.5853A

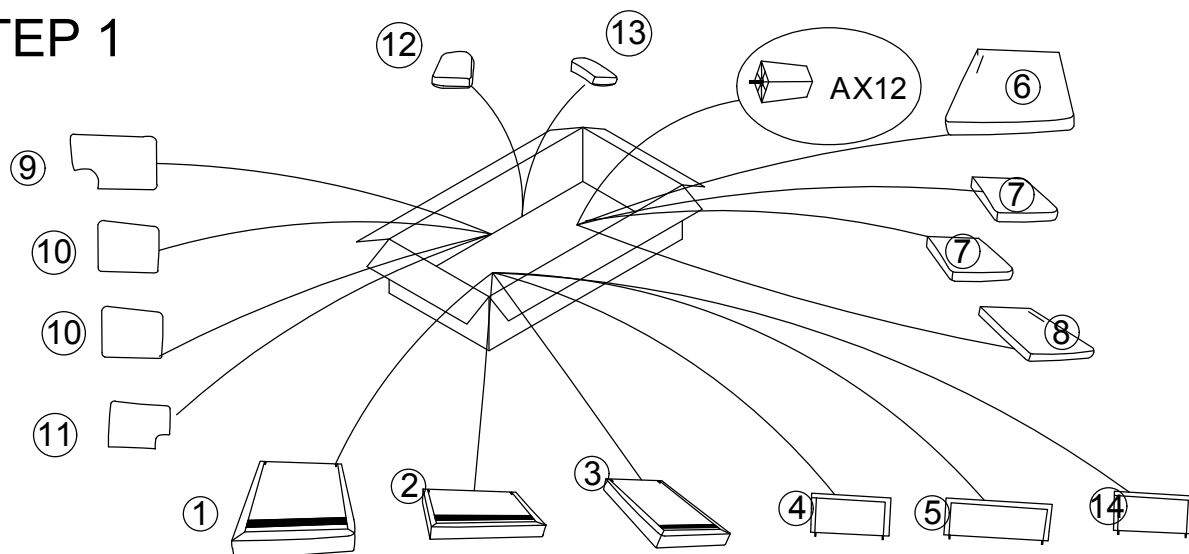


Components				QTY
A			12PCS	
① 1PC 	② 1PC 	③ 1PC 	④ 1PC 	⑤ 1PC 
⑥ 1PC 	⑦ 2PCS 	⑧ 1PC 	⑨ 1PC 	⑩ 2PCS 
⑪ 1PC 	⑫ 1PC 	⑬ 1PC 	⑭ 1PC 	

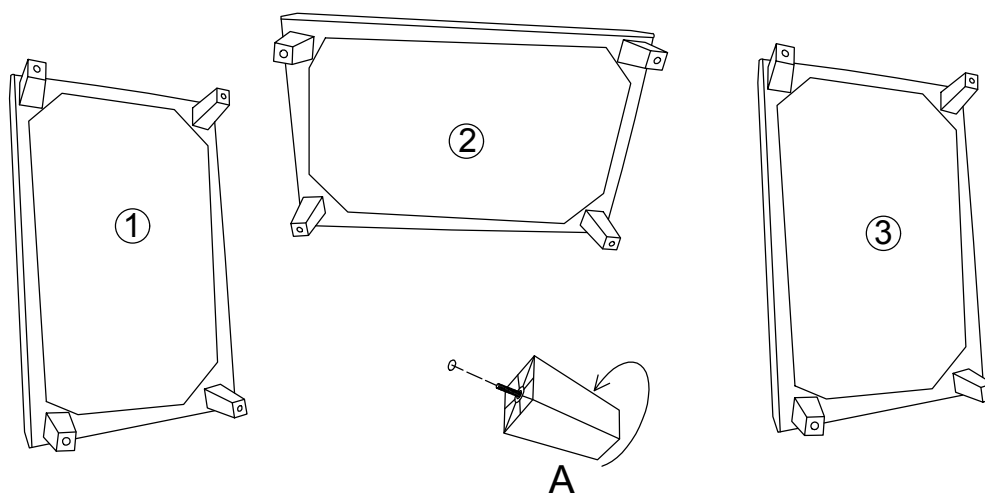
② ASSEMBLY INSTRUCTION

MODEL NO.5853A

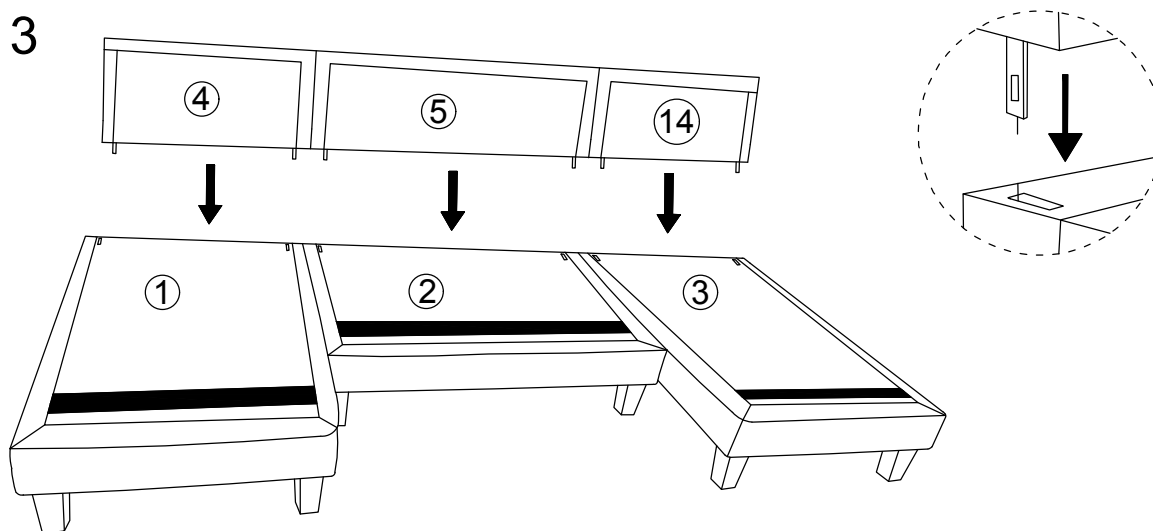
STEP 1



STEP 2



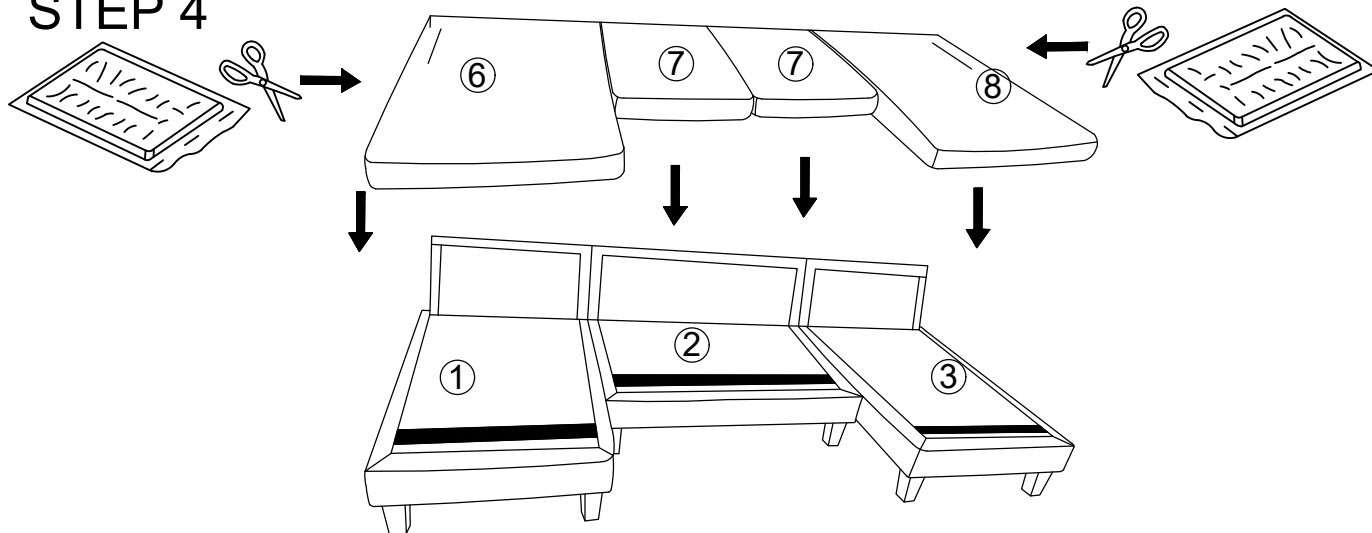
STEP 3



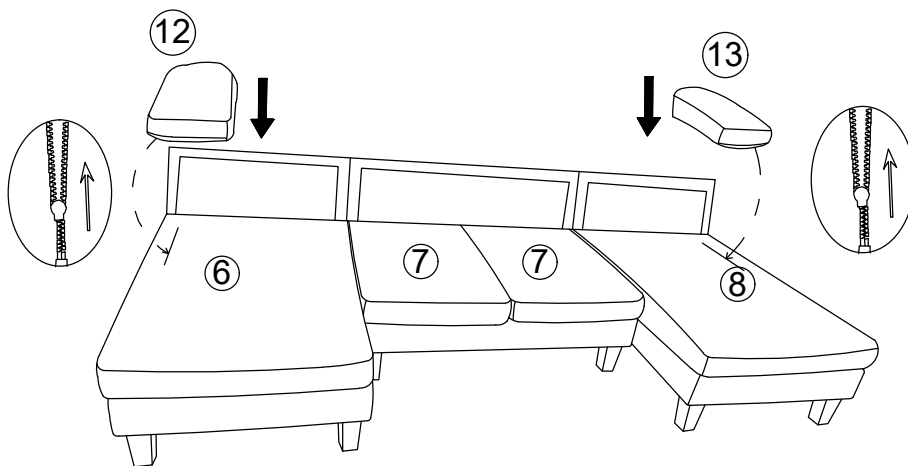
③ ASSEMBLY INSTRUCTION

MODEL NO.5853A

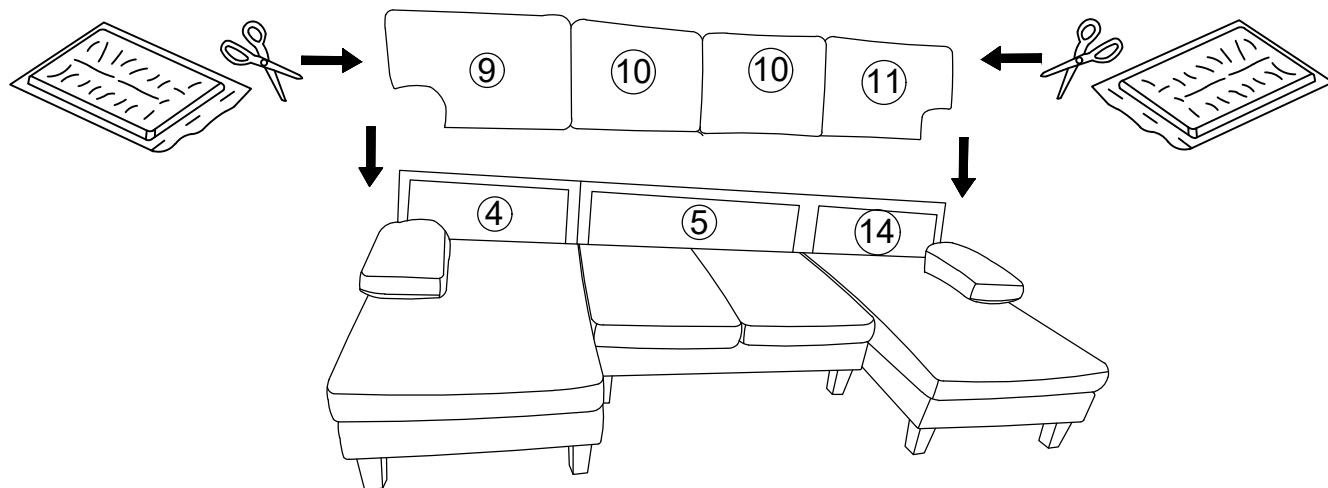
STEP 4



STEP 5

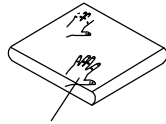


STEP 6



TIPS:

- 1, Please do not open the compress packaging until your sofa frame is completely assembled.
- 2, Compress cushions or pillows need to fully fluffed within 72 hours for your perfect use.
- 3, Please keep children away from plastic bag or any small pieces of stuff.
- 4, After assembly is completed, don't forget to pat the back cushions and seat cushions, make them recovering better. And wait 72 hours for fully rebound.

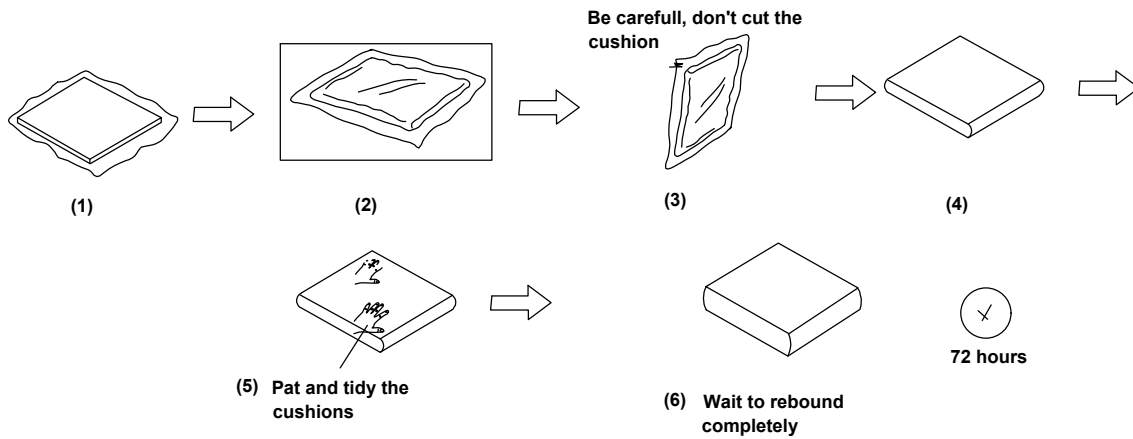


Pat and tidy the cushions

- 5, Cushions should be regularly maintained for perfect use.

STEPS for compressed pack:

- (1) open the carton -- (2) take out the compressed pack -- (3) cut from edge and take out the cushion -- (4) Put the cushion on floor -- (5) Pat and tidy the cushion -- (6) Wait to rebound completely after 72 hours.



CAUTION

:

PLEASE DO NOT OPEN COMPRESSED PLASTIC CUSHION BACK UNTIL YOUR SOFA FRAME IS COMPLETELY ASSEMBLED, OTHERWISE, IT CAN'T BE REPACKED IN ORIGINAL PACKING WAY TO RETURN.