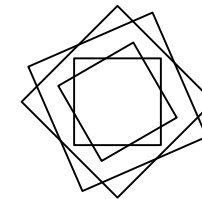
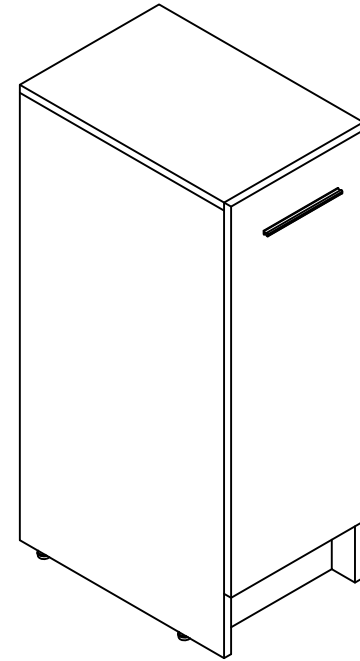


Installation Manual-UNOR SV 006F 12S

MOTIVATE
YOUR LIFE !

THANKS FOR WATCHING

Your feedback is invaluable to us and we would love to hear about your experience. Please take the time to leave us a review.



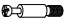












Thank you for shopping with us!

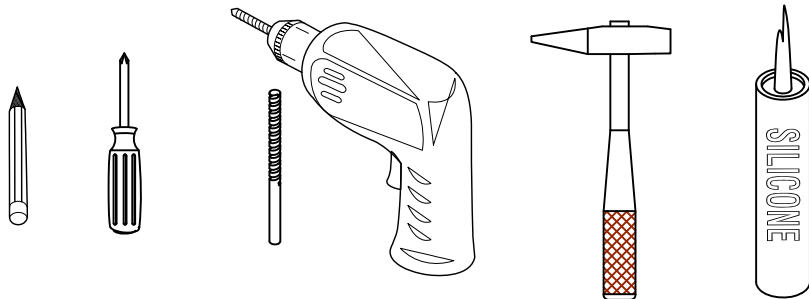
We encourage you to take a few minutes to go through this booklet. It contains important information on installation and care tips to keep your furniture looking as good as new.

Item NO.:UNOR SV 006F 12S

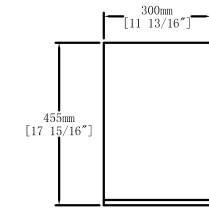
Hardware

NO.	Draw	QTY	NO.	Draw	QTY
A	 Screws Ø4x14mm	12	H	 Hinges (Full cover)	2
B	 Two-in-one connector	22	I	 Handle	1
C	 Two-in-one connector	22	J	 Screws M4x18mm	2
D	 Wood plug	4	K	 Movable laminate support	4
E	 Plastic anchor(Ø10mm)	2	L	 Anti-collision gasket	2
F	 Screws for fix on the wall	2	M	 Screwdriver	1
G	 Adjustable feet	4			

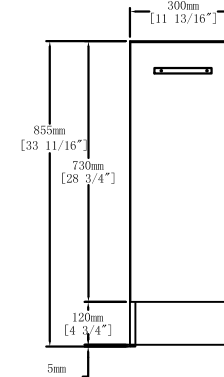
Recommended tools



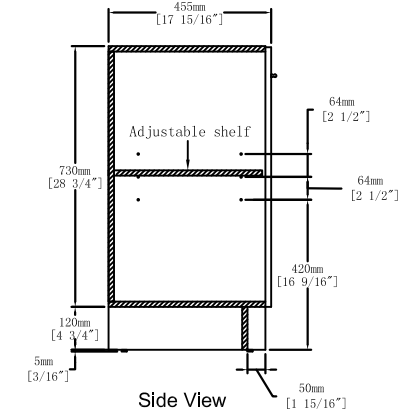
Dimensions



Top View



Front View

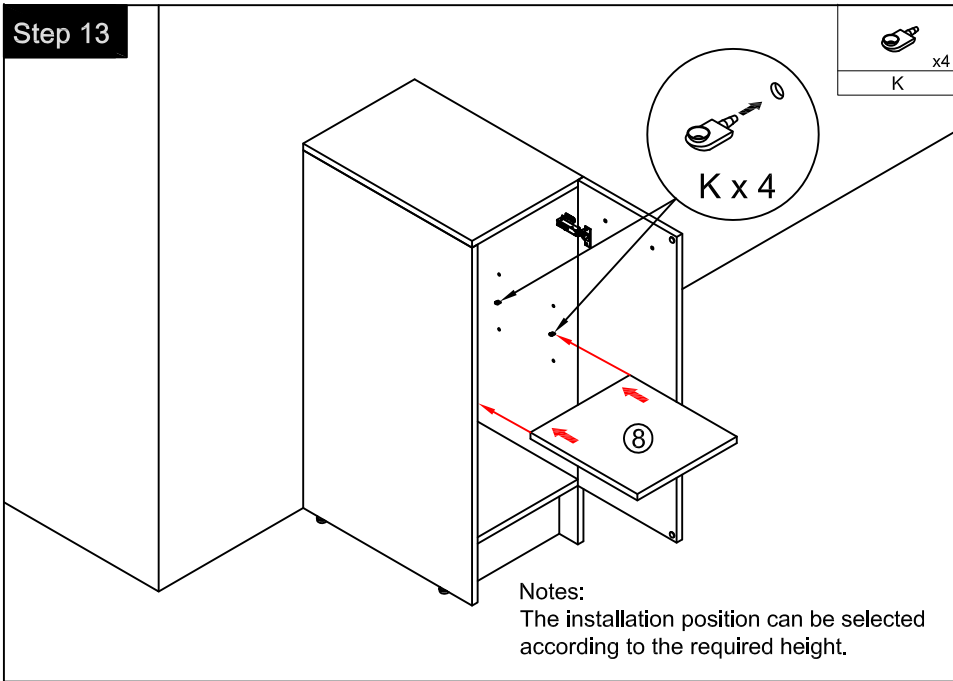


Side View

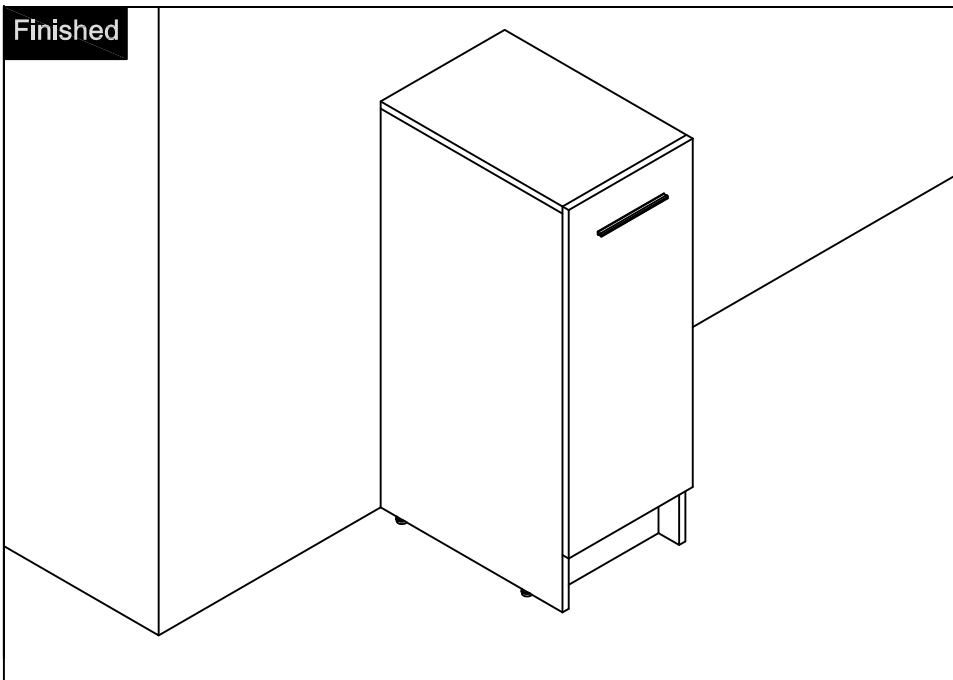
CARE CLEANING AND MAINTENANCE

1. Dust regularly with a soft , dry cloth.
2. Avoid the use of all chemicals household cleaners, abrasives, or cleaners that contain lemon, vinegar, or other acids that may damage the finish.
3. Excessive exposure to sunlight and extreme changes in temperature and moisture can damage wood furniture.
4. Do not place hot appliances, such as curling irons and hot hair dryers directly on the countertop. Wipe spills immediately.

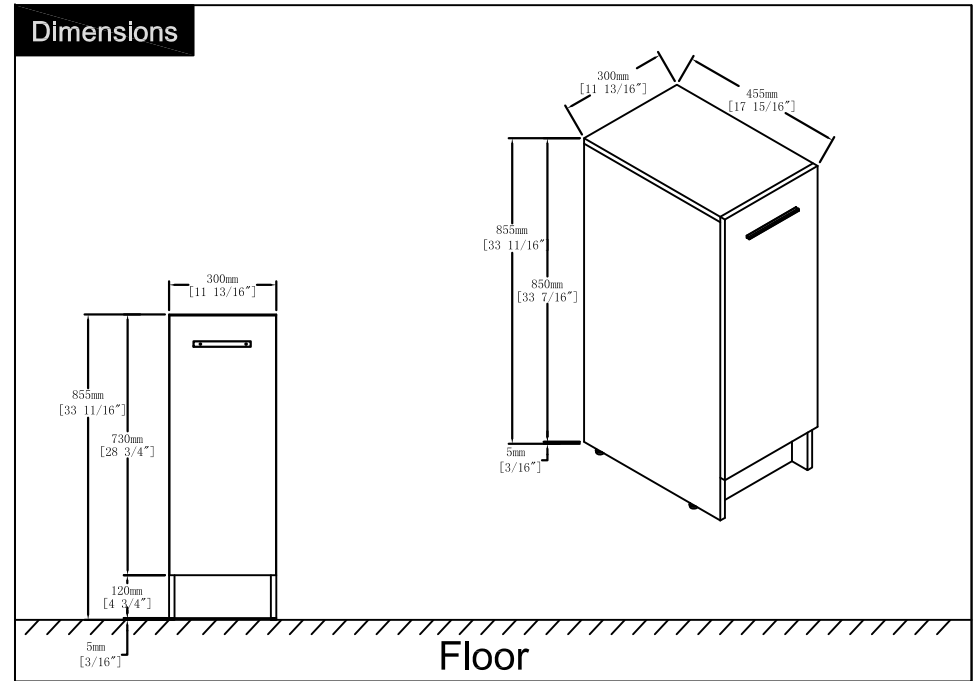
Step 13



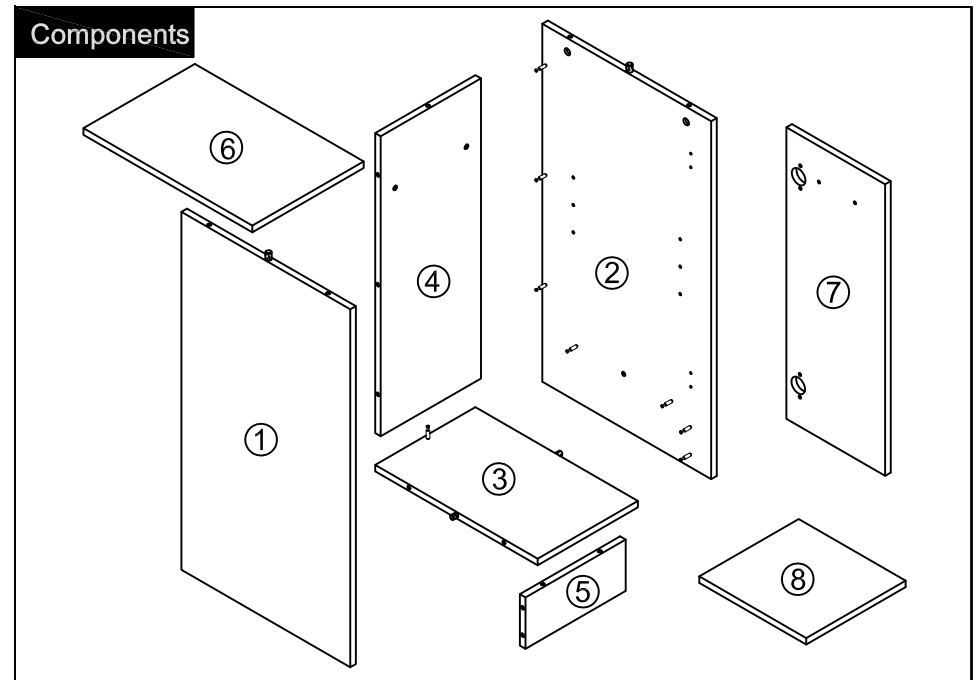
Finished

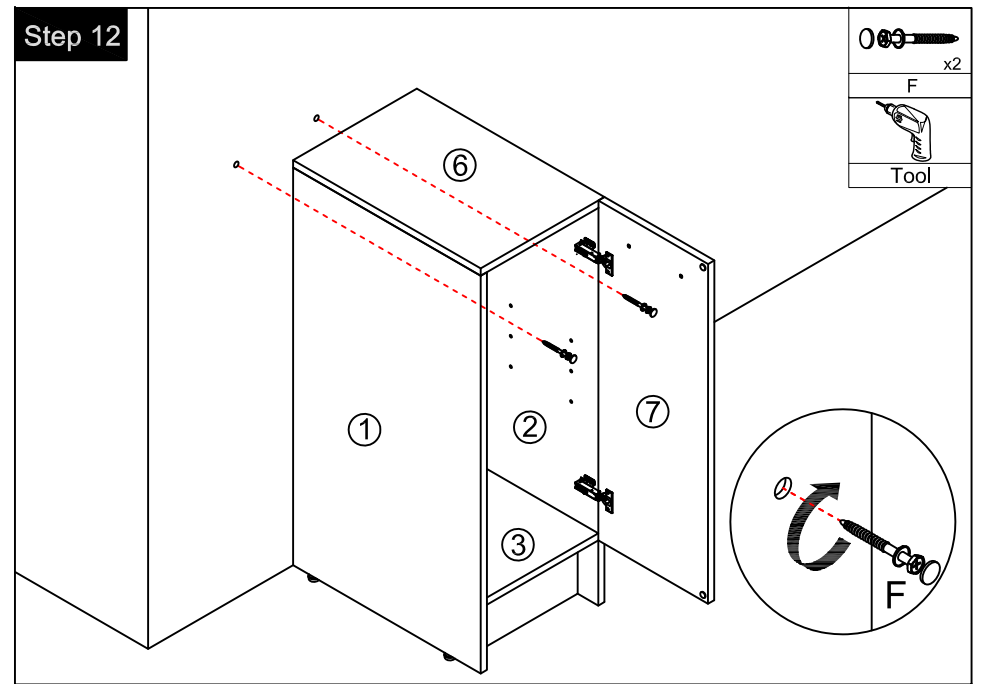
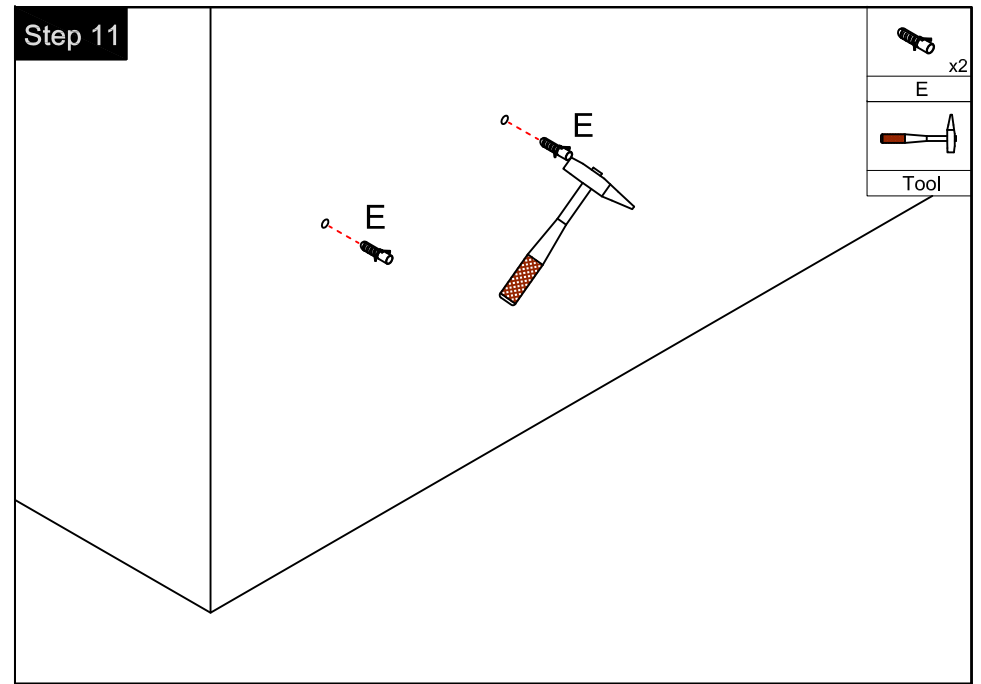
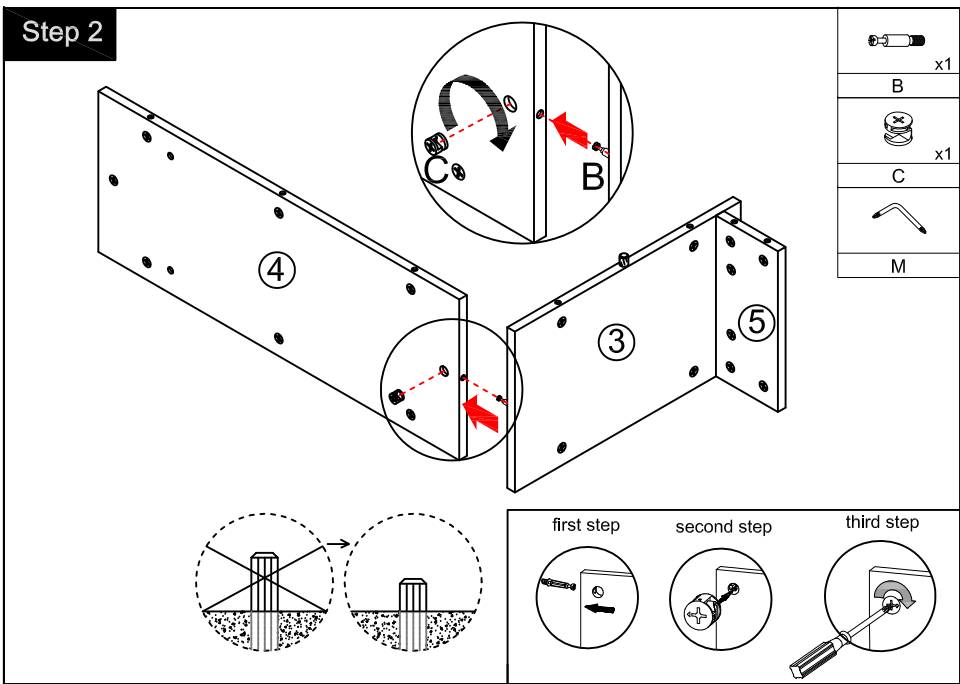
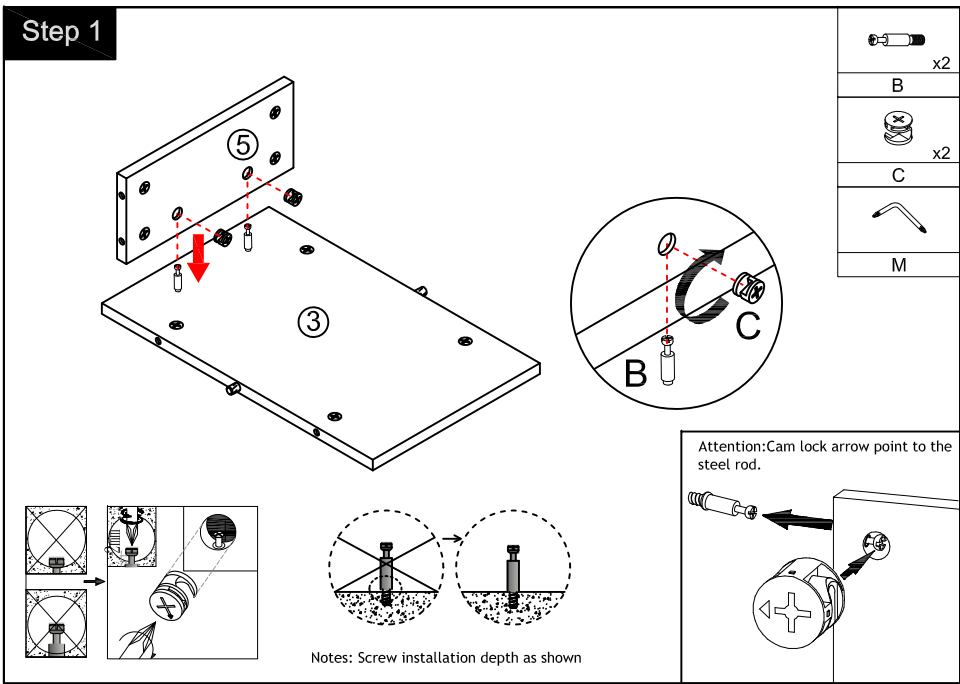


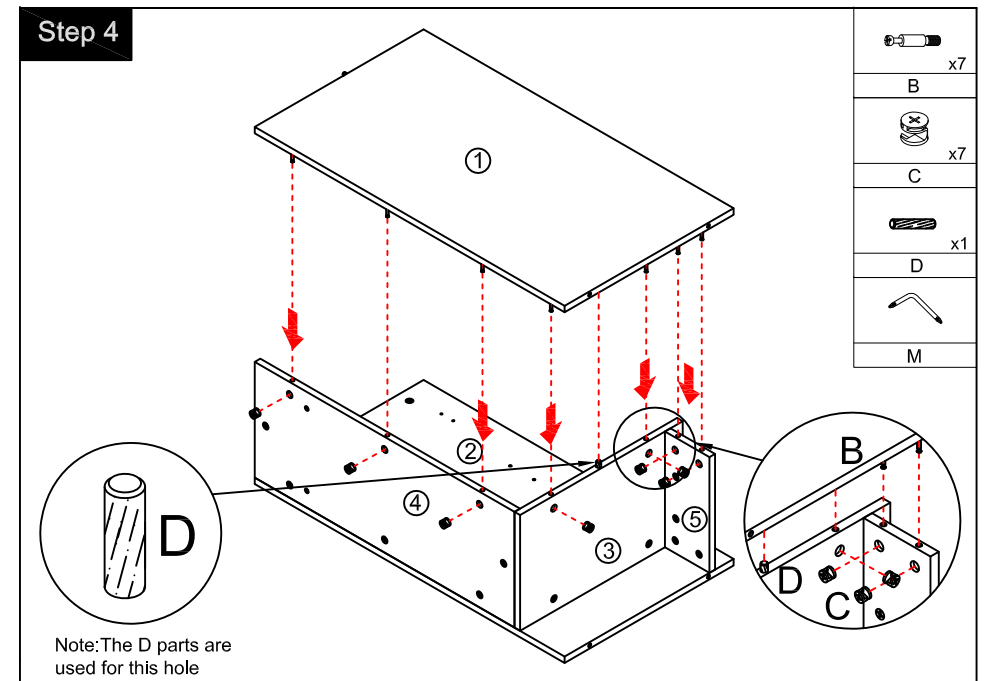
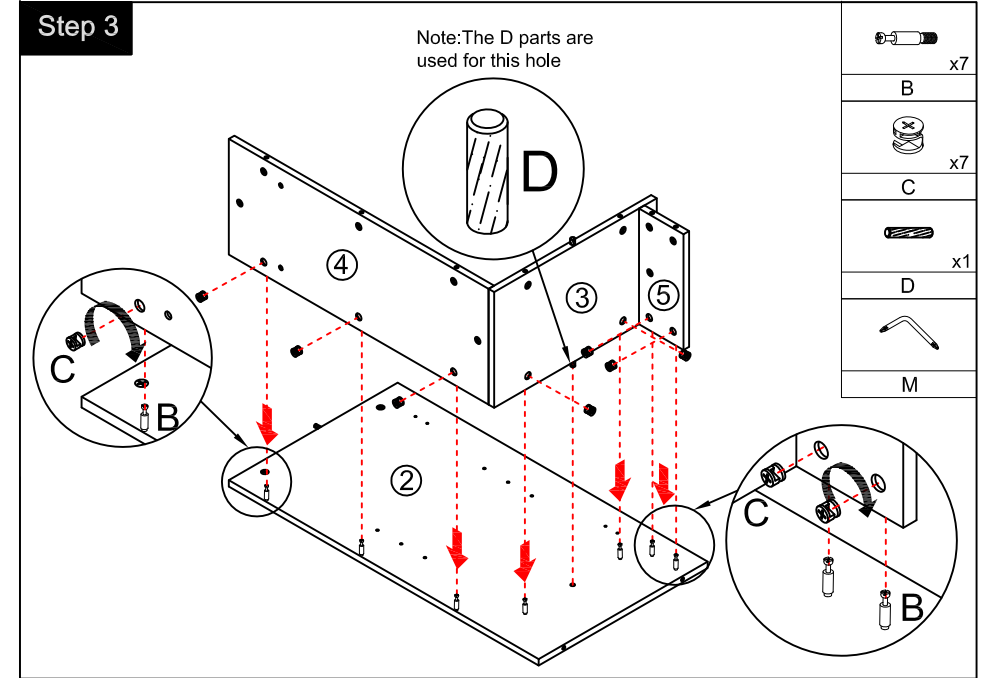
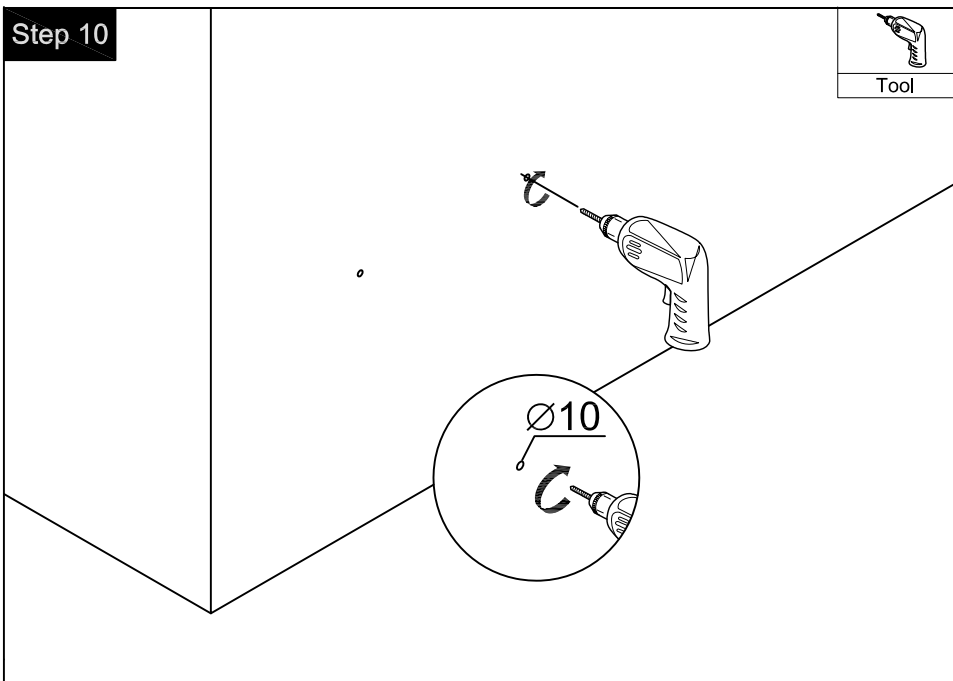
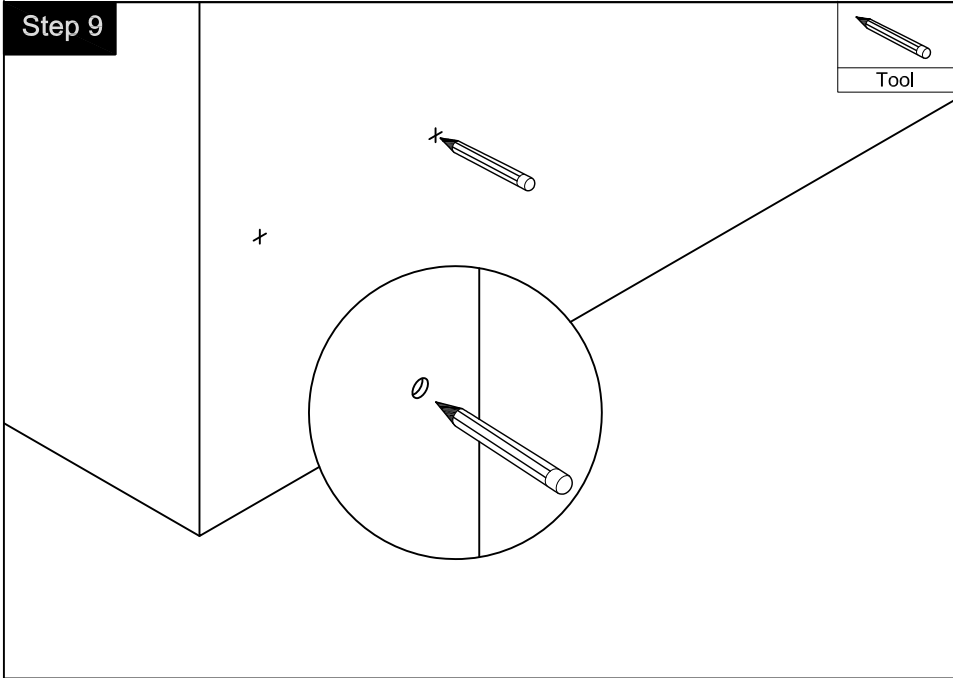
Dimensions



Components







Step 5

	x5
B	
	x5
C	
	x2
D	
	M

Note: The D parts are used for these two holes

Step 7

	x1
I	
(M4 x 18mm)	
	x2
J	
	x2
L	
	Tool

Step 6

	x2
H	
(∅4 x 14mm)	
	x12
A	
	Tool

You can adjust the doors by tightening or loosening the screws on the hinge. →

Step 8

	x4
G	