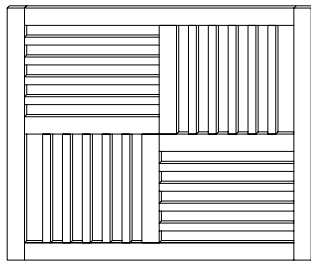


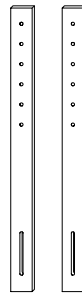
Twin Headboard

Assembly Instructions

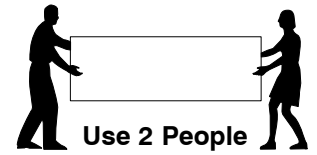
1 Parts List



A
Headboard
Panel x 1



B
Support
Bars x 2



2 Hardware List



1 M6 x 35mm JCB
x 10



2 Spring Washer
x 10



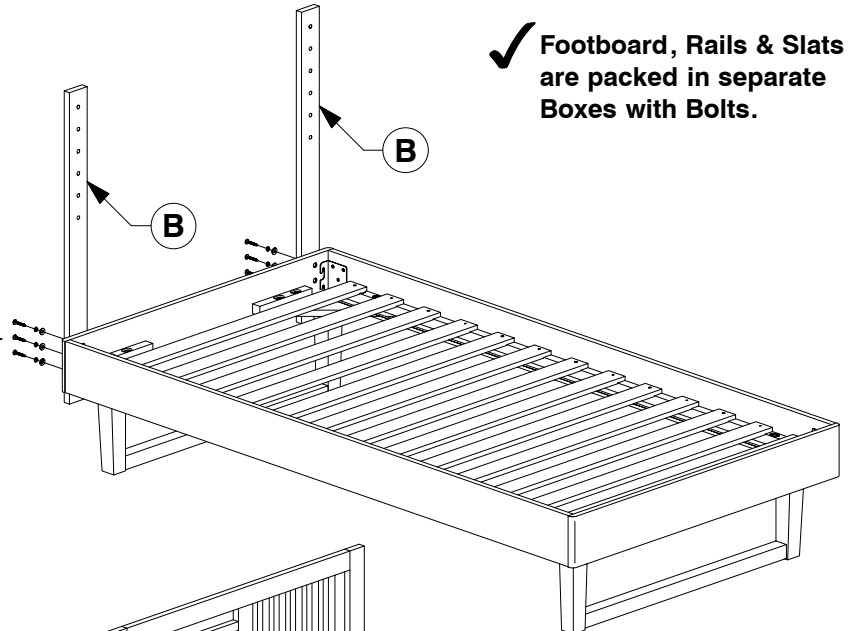
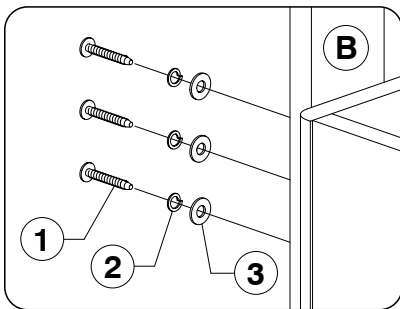
3 Flat Washer
x 10



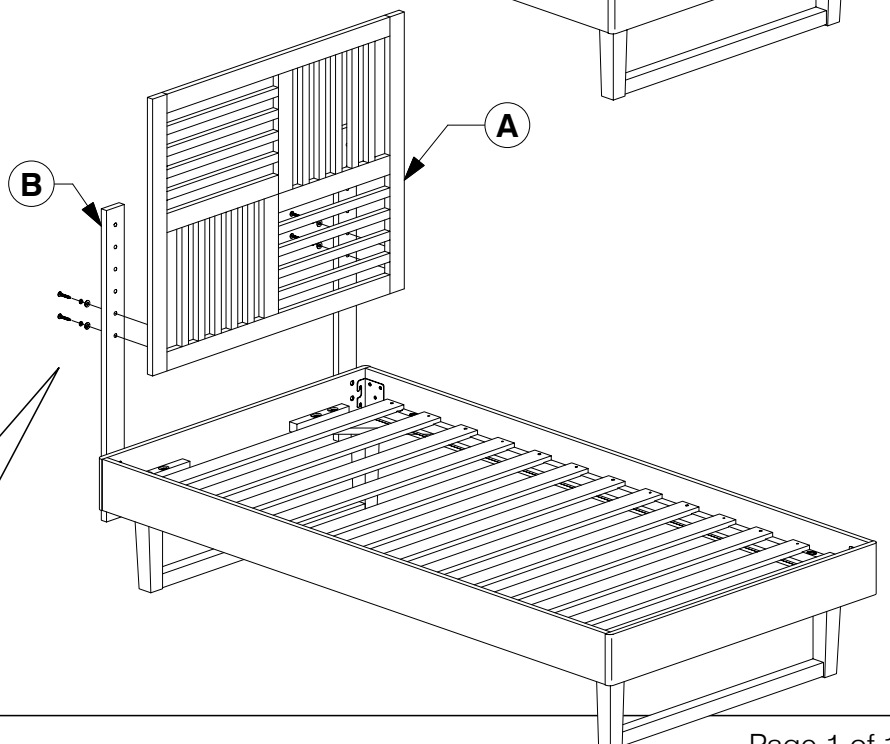
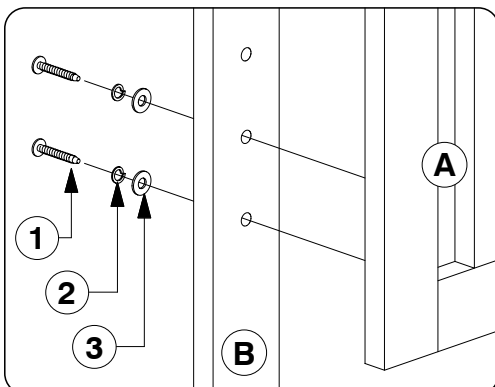
4 Allen Key
x 1

Note: Do not assemble
using power tools.
This can cause the bolts
to be overtightened

3 Assemble the Support Bars (B) to the Headboard Panel.



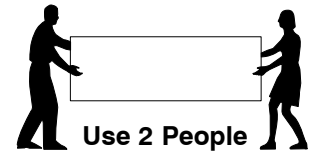
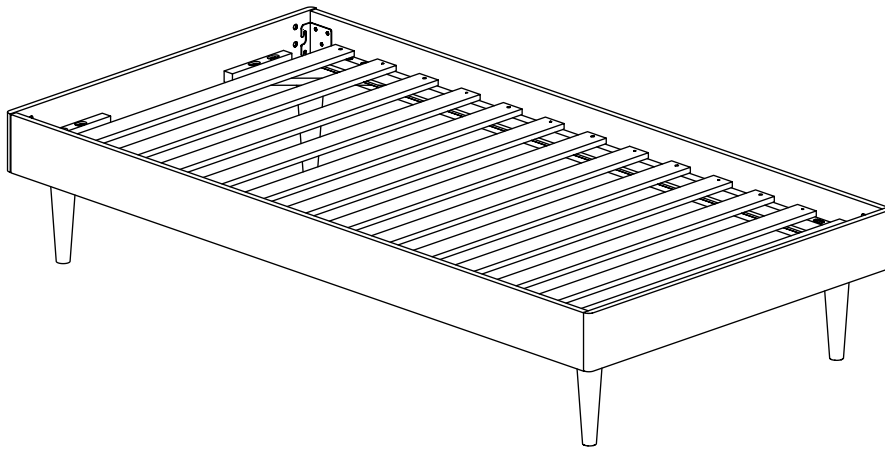
4 Assemble the Headboard Panel (A) to the Support Bars (B).



Twin Bed

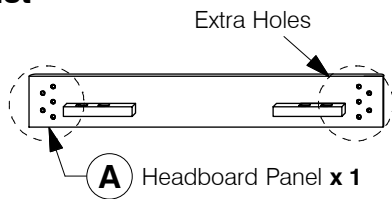
Assembly Instructions

1 Assembled View

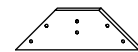


Note: Do not assemble using power tools. This can cause the bolts to be overtightened

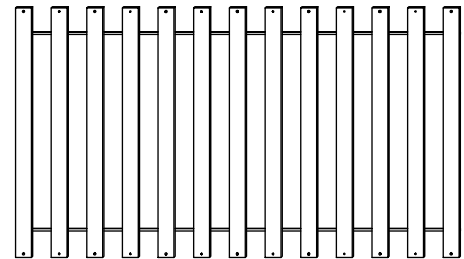
2 Parts List



(D) Post
x 4



(E) Support Panel
x 4



(F) Set of Bed Slats x 1

3 Hardware List



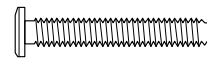
(1) M6 x 50mm JCB
x 16



(2) M6 x 40mm JCB
x 14



(3) M6 x 20mm JCB
x 8



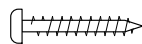
(4) M8 x 50mm JCB
x 8



(5) Spring Washer
x 24



(6) Flat Washer
x 24



(7) Wood Screw (M4 x 32mm)
x 12



(8) M4 Allen Key
x 1



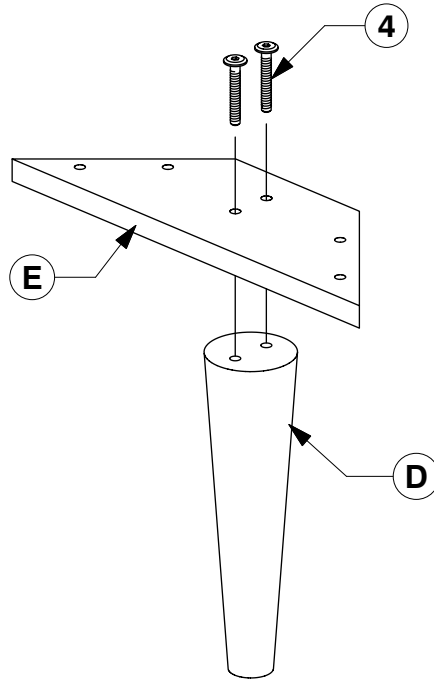
(9) M5 Allen Key
x 1

Twin Bed

Assembly Instructions

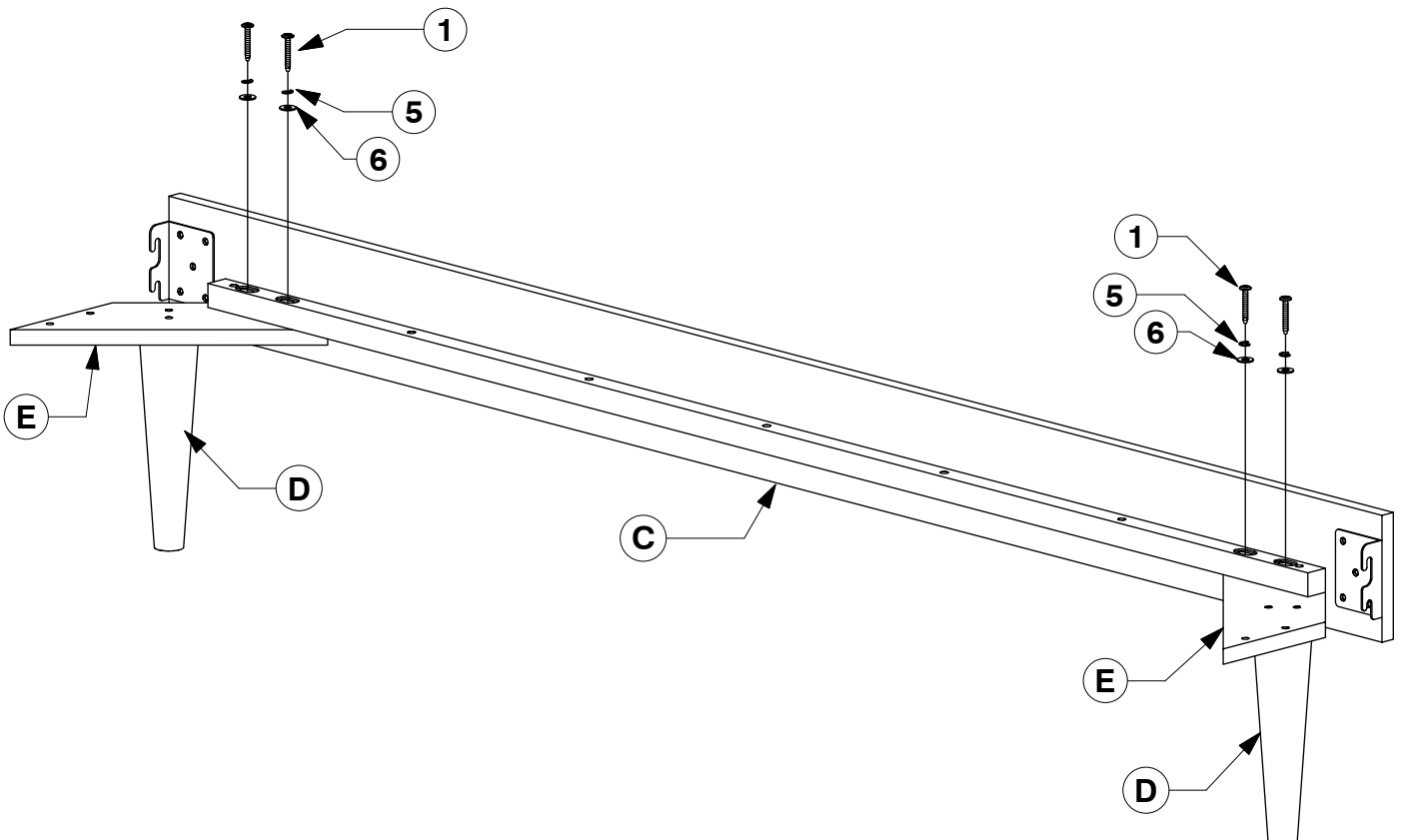
- 4** Fit the Post (D) to the Support Panel (E).

x4



- 5** Bolt the Post & Support Panel (D & E) to the Side Rail (C).

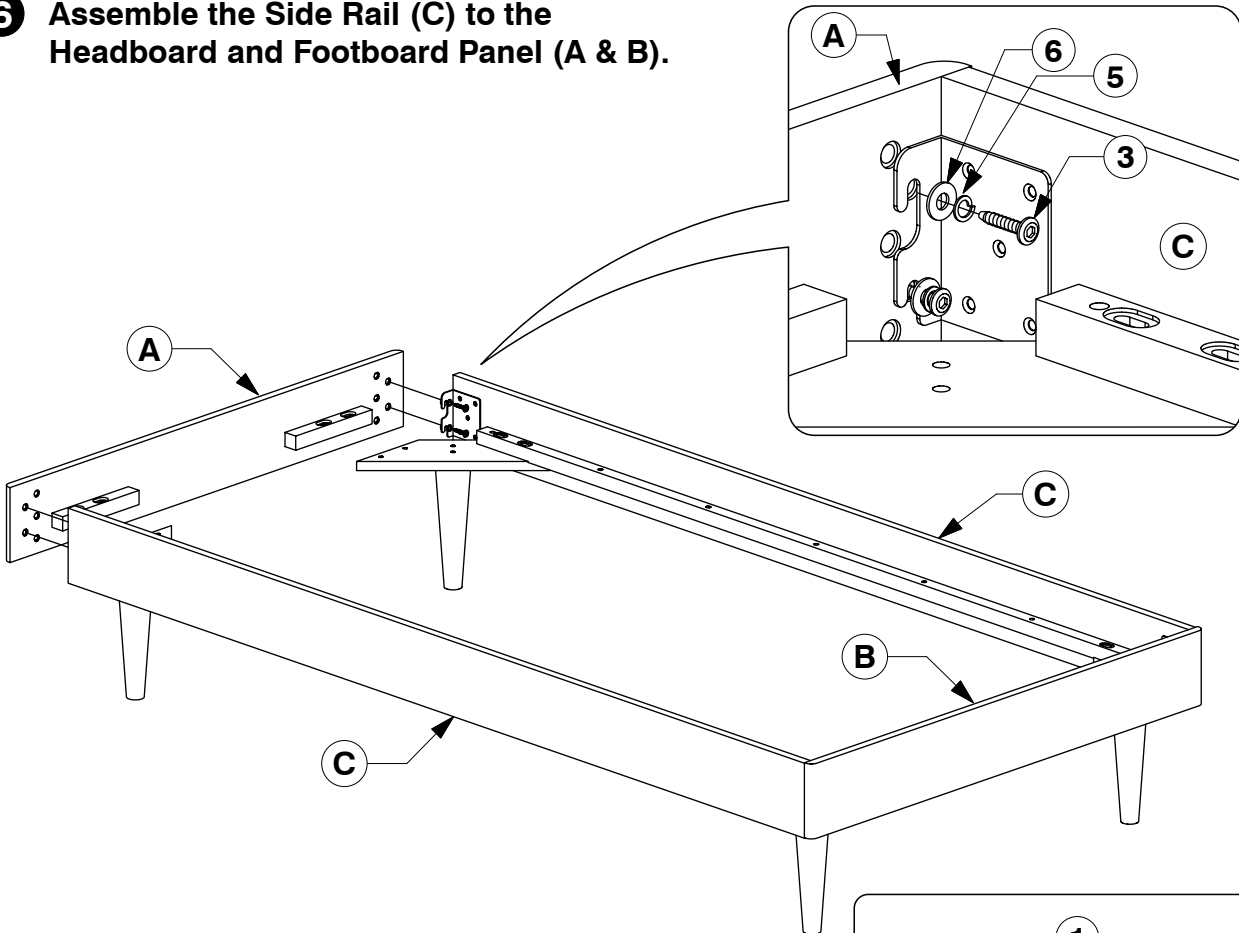
x2



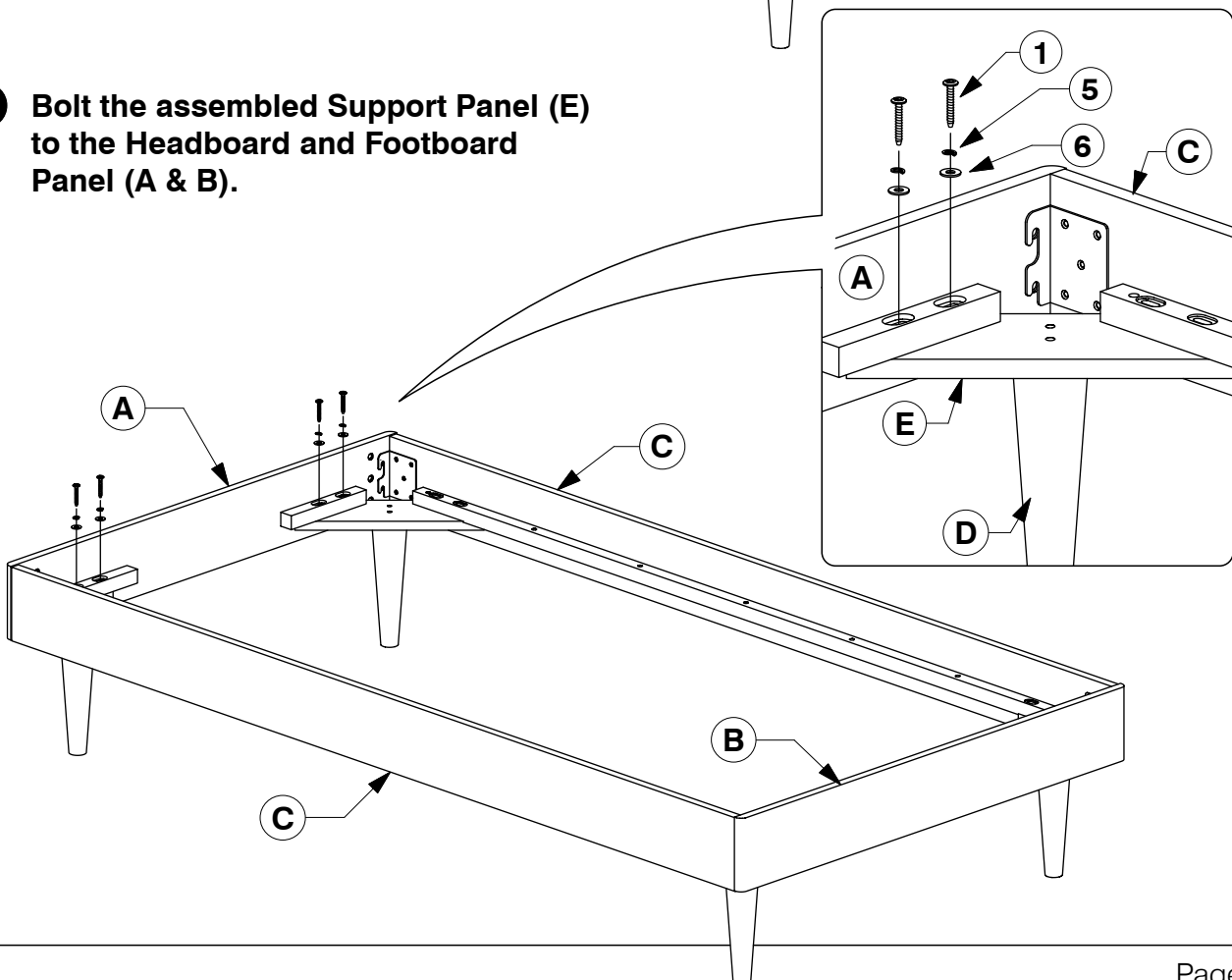
Twin Bed

Assembly Instructions

- 6** Assemble the Side Rail (C) to the Headboard and Footboard Panel (A & B).



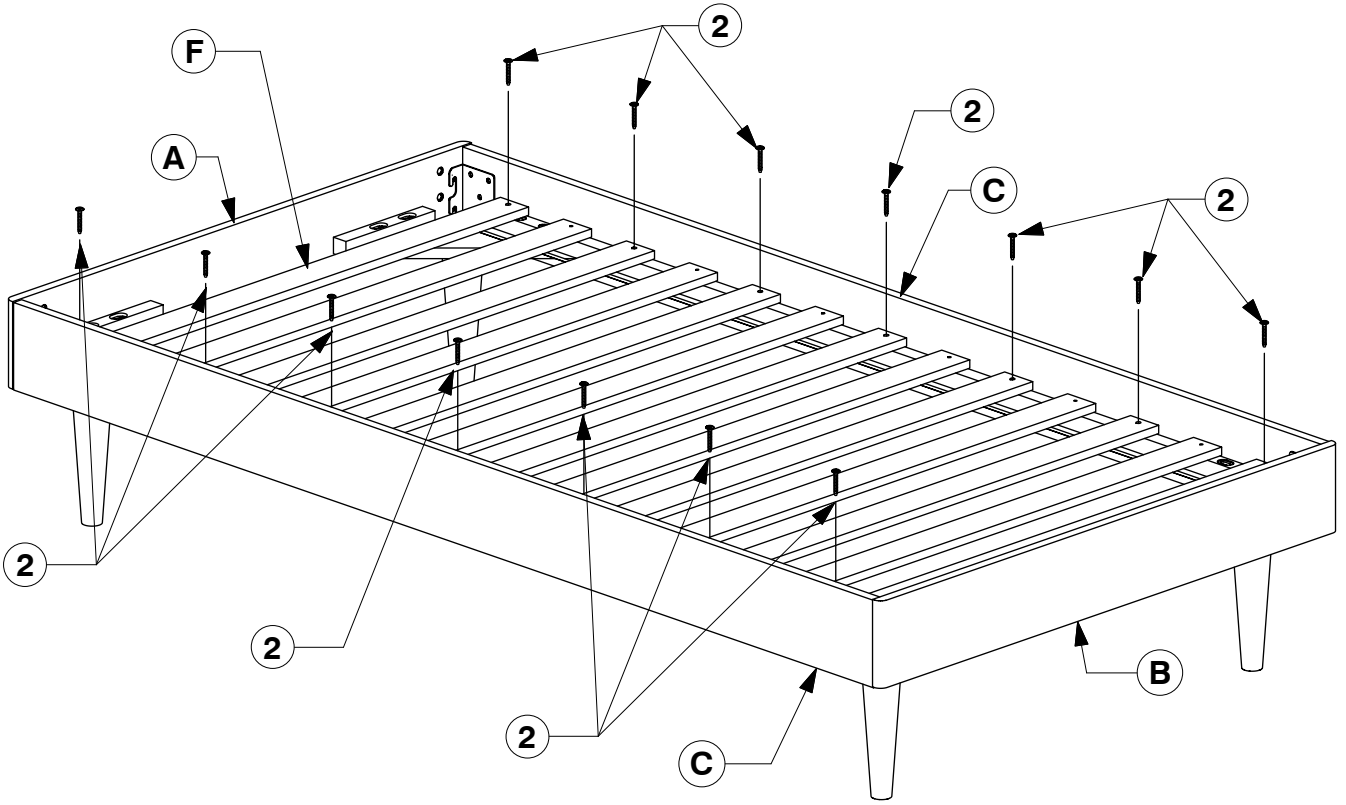
- 7** Bolt the assembled Support Panel (E) to the Headboard and Footboard Panel (A & B).



Twin Bed

Assembly Instructions

8 Bolt the Bed Slats (F) to the Side Rail (C).



9 Screw the Bed Slats (F) to the Side Rail (C).

