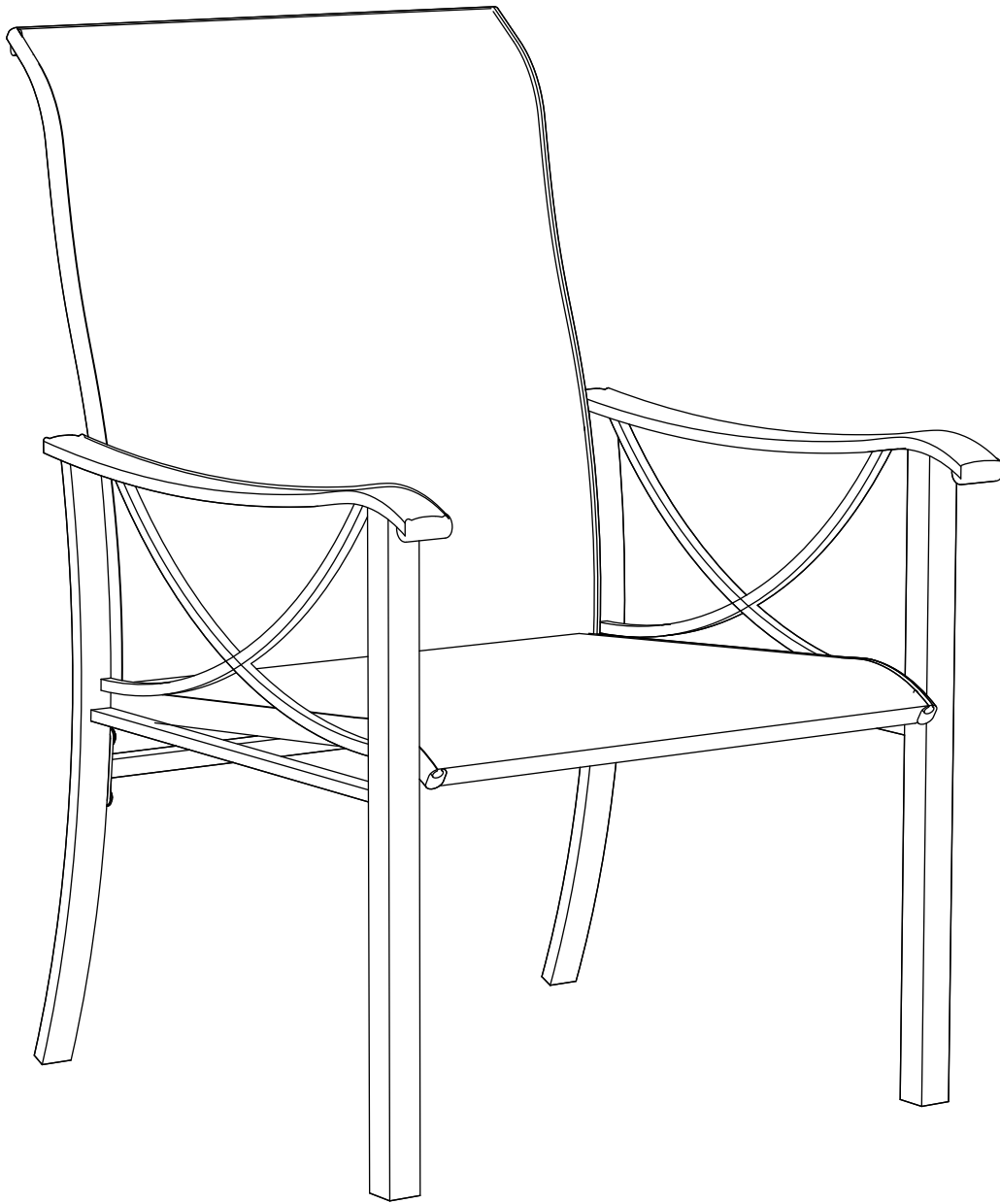


INSTRUCTION

Teslin Dining Chair(3PCS)

Assembly & Care instructions



SKU: P25023-S1

Please read & retain for future reference

CATALOGS

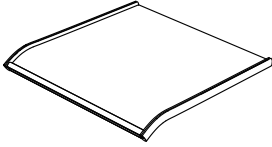
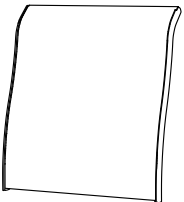
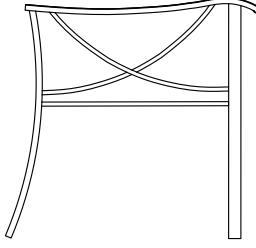
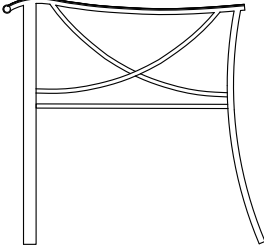
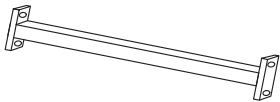
Parts List	3
Screw Set List.....	4
Extra	5
Specifications	6
Installation Steps	7

Care & Instructions

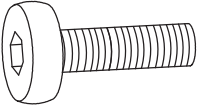
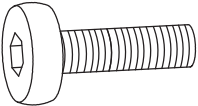
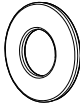
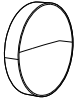

Thank you for ordering this outdoor teslin dining chair set. Here are some suggestions that may help you:

1. This set of outdoor teslin dining chair comes three per case.
2. If any parts are damaged or lost, please read this instruction carefully (refer to the parts list on page. 3 and page 5), please feel free to contact us. We will send you a replacement immediately.
3. We hope you can like our products, if you have any other questions, please contact us.

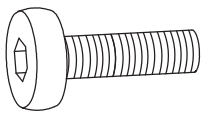
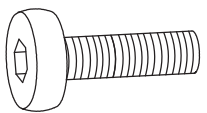
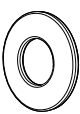
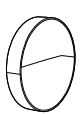
PARTS LIST

PARTS LIST			
Part	Description	Part Name	Qty
L001		Seat Plate Part	3
L002		Back Plate Part	3
L003		Left Armrest Part	3
L004		Right Armrest Part	3
L005		Crossbar	3

SCREW SET LIST

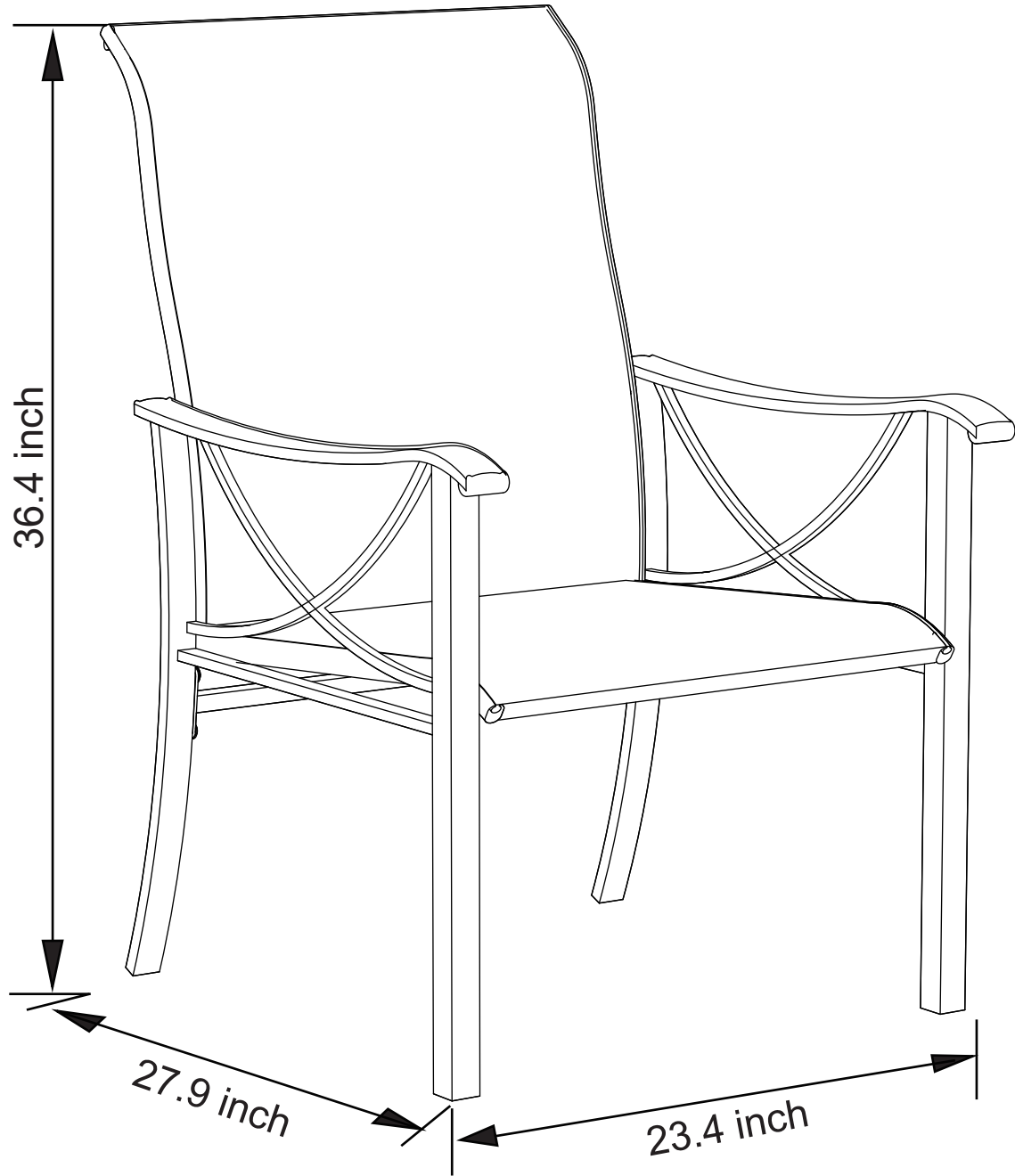
Screw Set List			
Part	Description	Part Name	Qty
A		Bolt M6 × 35	24 PCS
B		Bolt M6 × 15	12 PCS
C		M6 Gaskets	36 PCS
D		Bolt Cap	36 PCS
E		Allen wrench M6	1 PC

EXTRA

Extra			
Part	Description	Part Name	Qty
A		Bolt M6 × 35	3 PCS
B		Bolt M6 × 15	1 PC
C		M6 Gaskets	4 PCS
D		Bolt Cap	4 PCS

WARNING: Failure to locate parts in accordance with these diagrams, or failure to use special parts provided with this equipment, may result in property damage or personal injury.

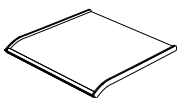
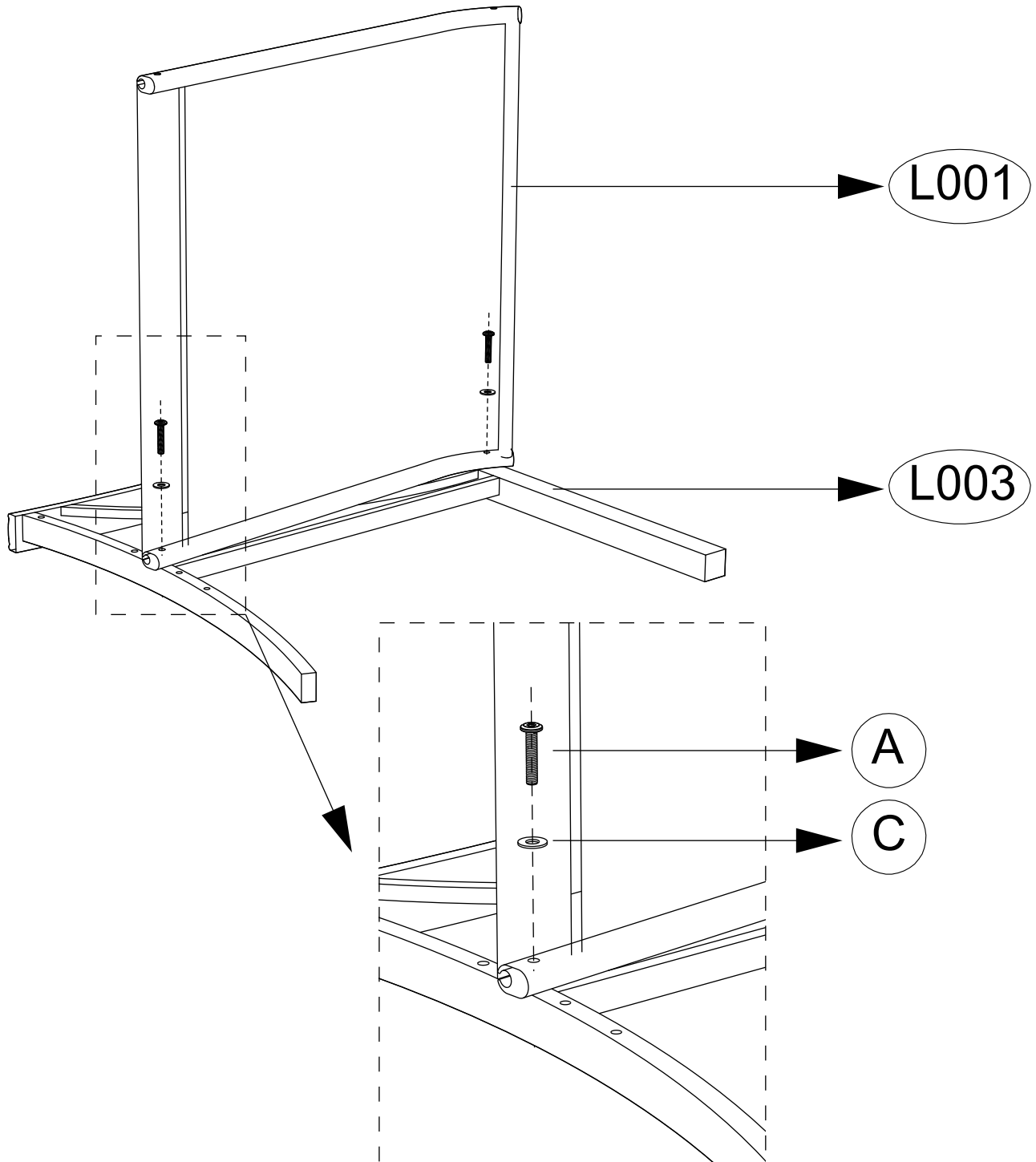
SPECIFICATIONS



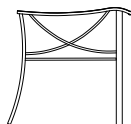
Step 1

Attach the dining chair seat plate(L001) and left armrest(L003) with screws(A).

Note: Do not tighten the Bolt.



L001×3



L003×3



A×6



C×6

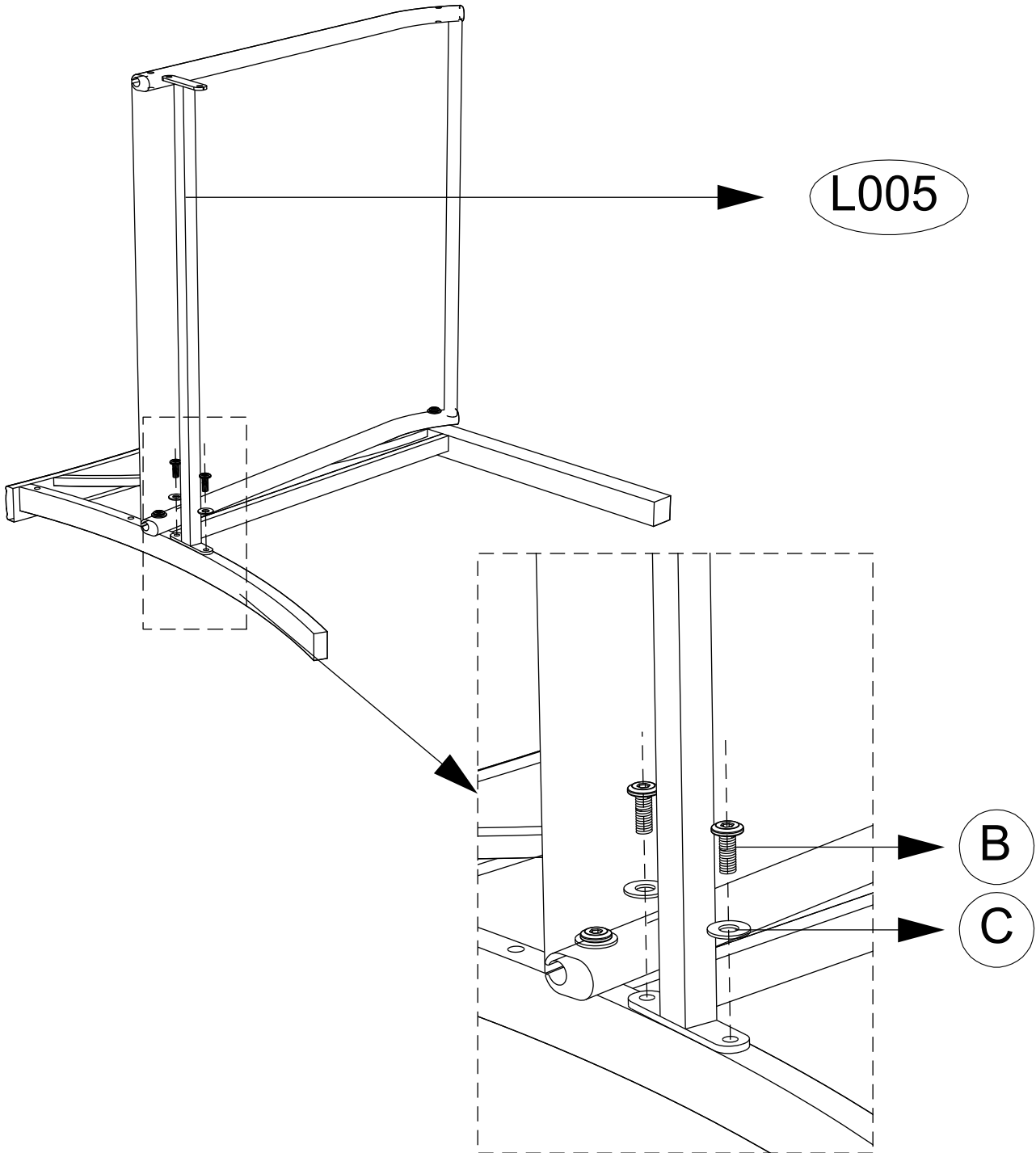


E

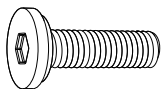
Step 2

Attach the left armrest(L003) and crossbar(L005) with screws(B).

Note: Do not tighten the Bolt.



L005×3



B×6



C×6

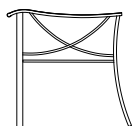
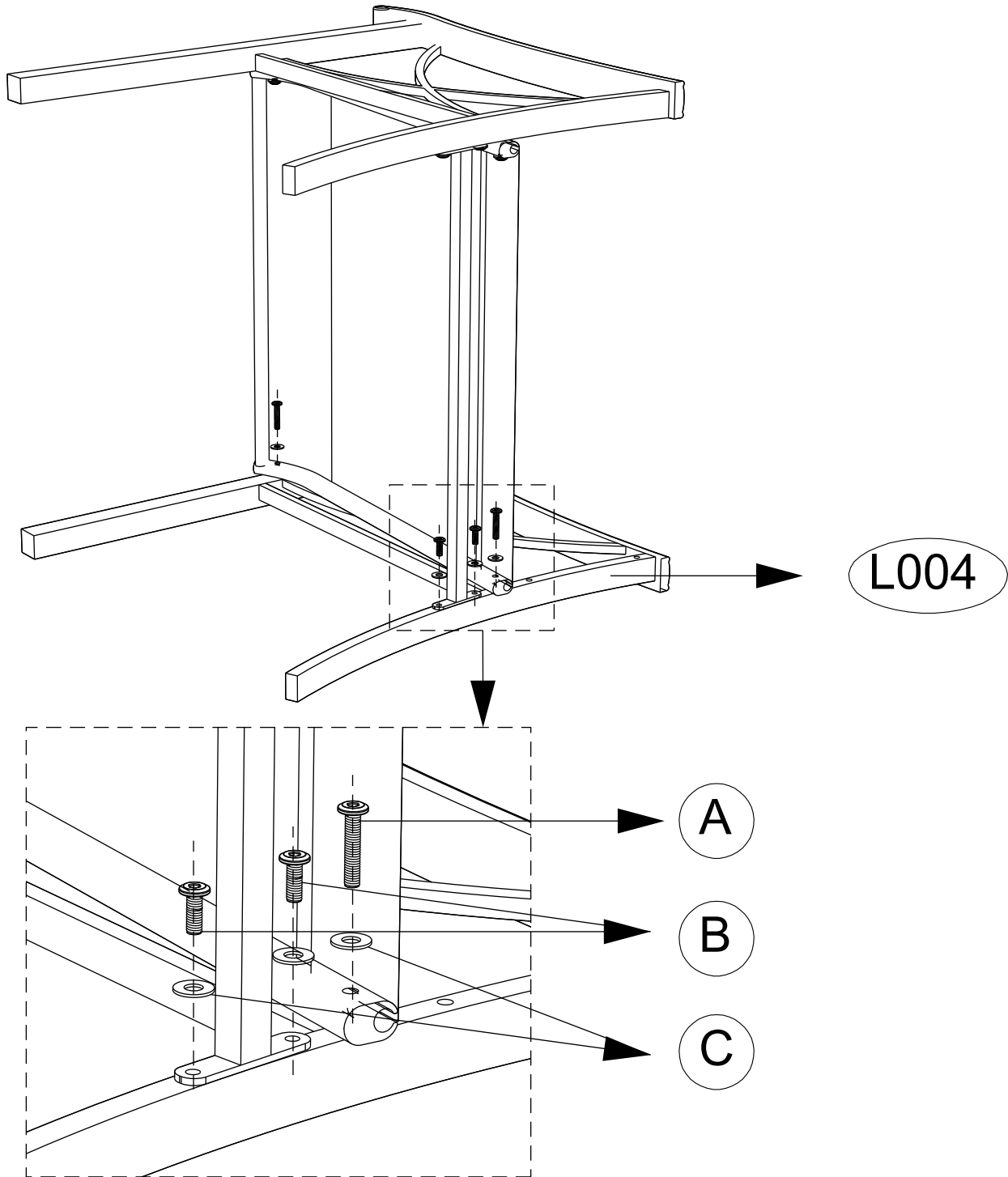


E

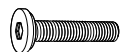
Step 3

Attach the dining chair seat plate(L001)and right armrests(L004) with screws(A).Attach the right armrest(L004) and crossbar (L005) with screws(B).

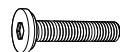
Note: Do not tighten the Bolt.



L004×3



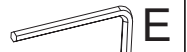
A×6



B×6



C×12

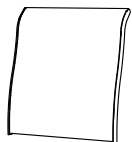
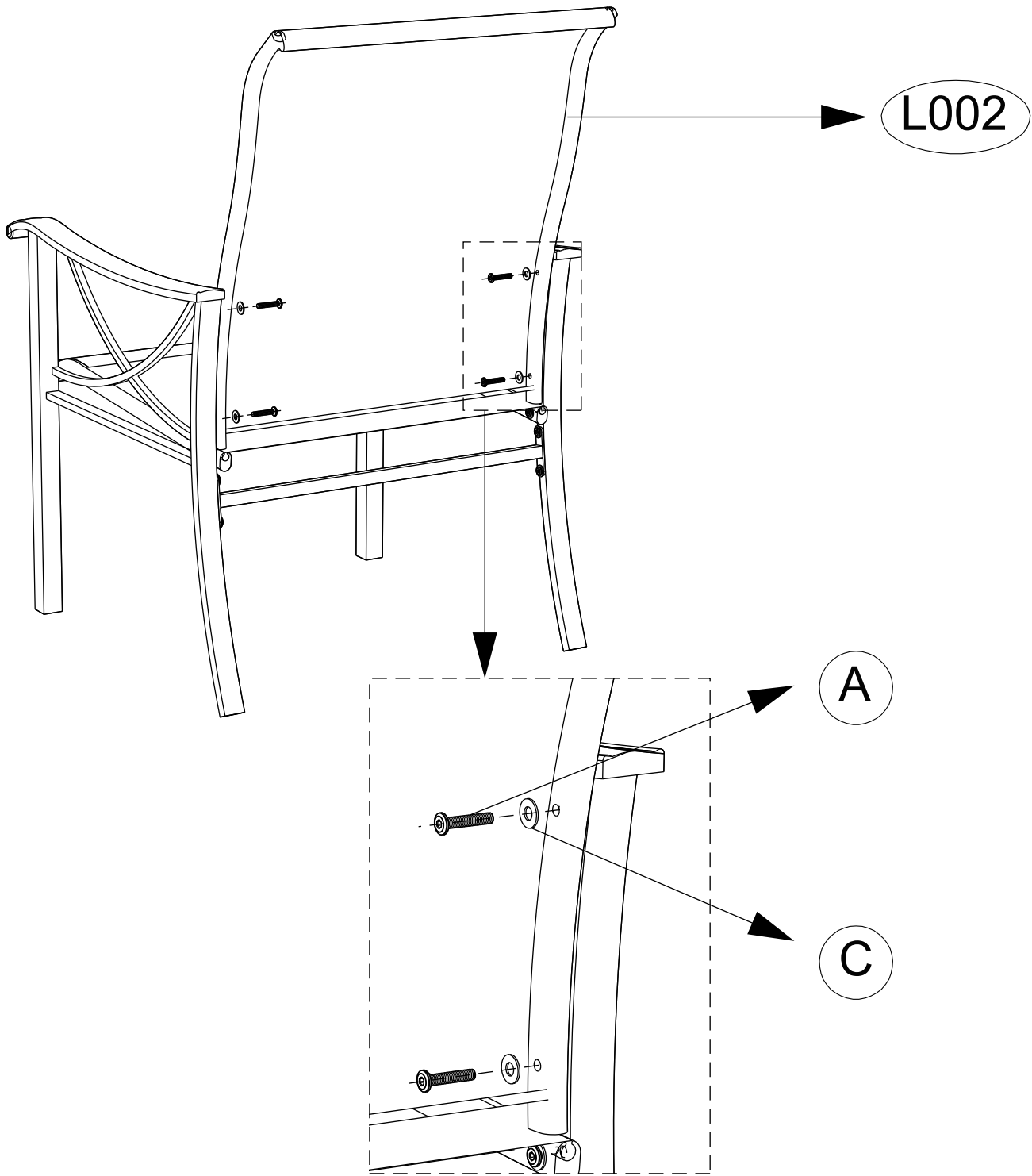


E

Step 4

Attach the dining chair backrest (L002) and the left and right armrests (L003 and L004) together with screws (A).

Note: Do not tighten the Bolt.



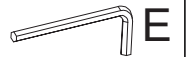
L002×3



A×12

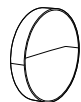
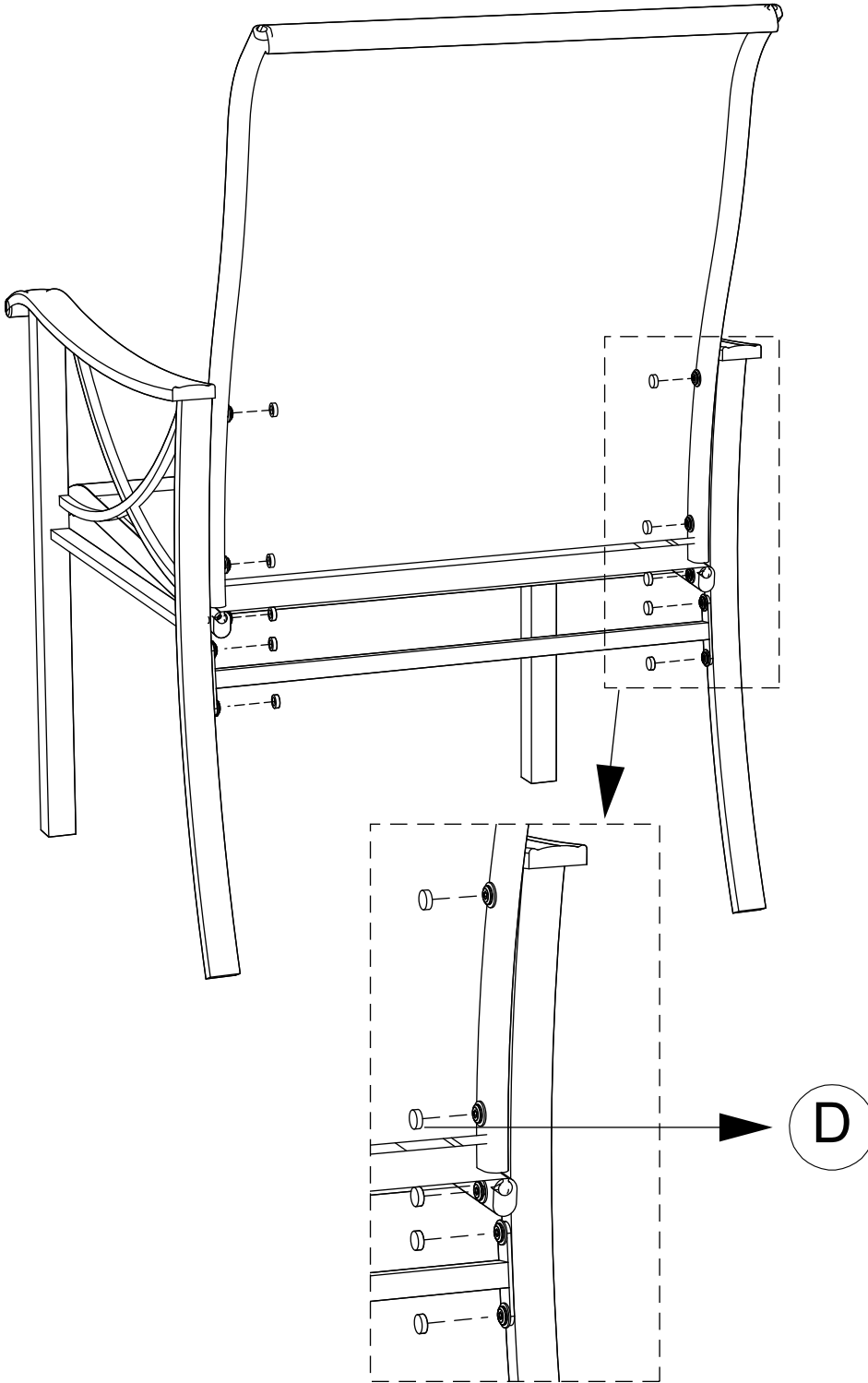


C×12



E

Step 5 Lock all screws, put on the plastic cap(G) and start enjoying it.



D×36