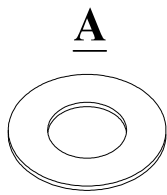


ASSEMBLY INSTRUCTIONS

TABLE

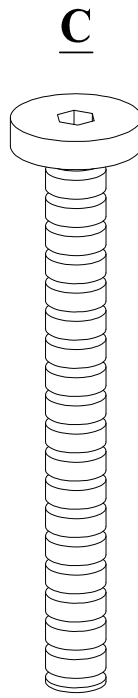




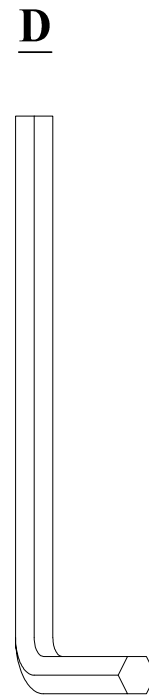
Flat Washer
8 PCS



Spring Washer
8 PCS

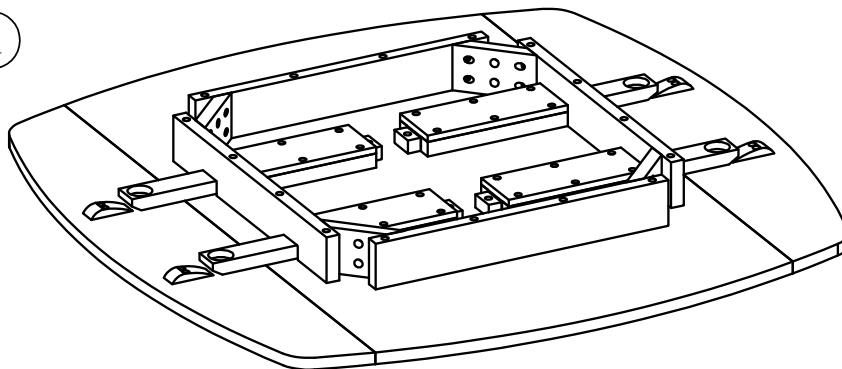


M8*70
8 PCS

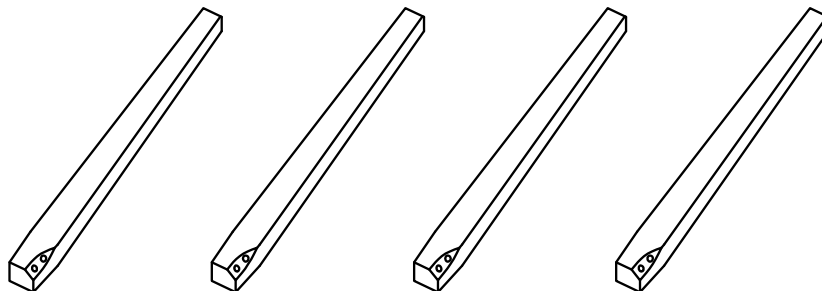


Allen Wrench
1 PC



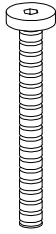
①

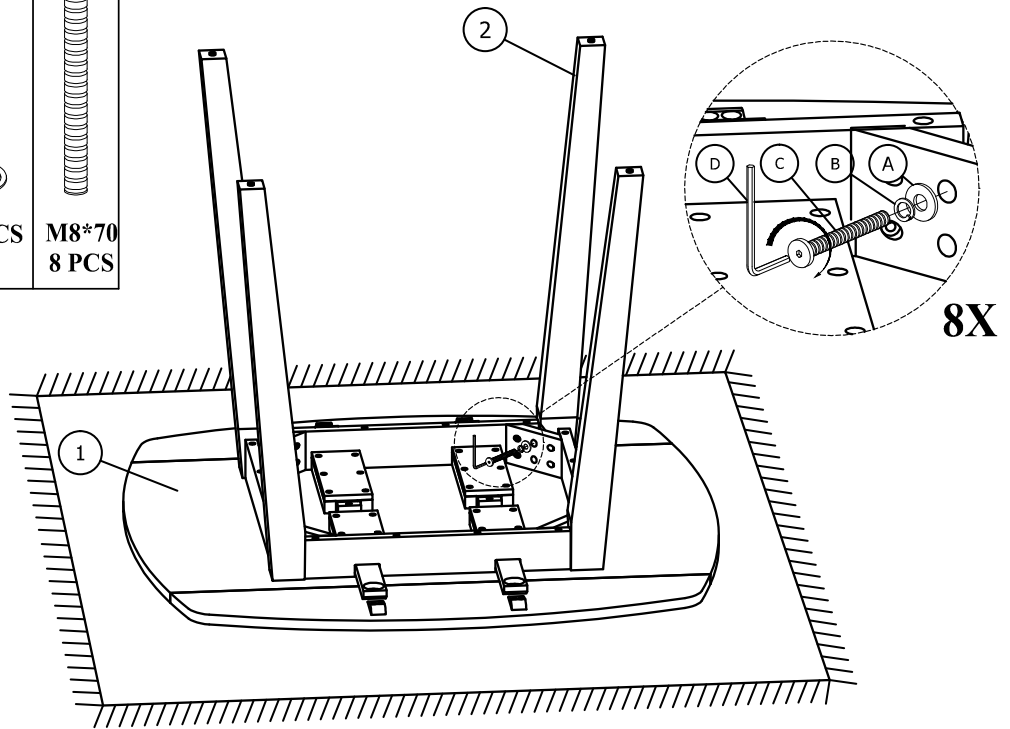


②

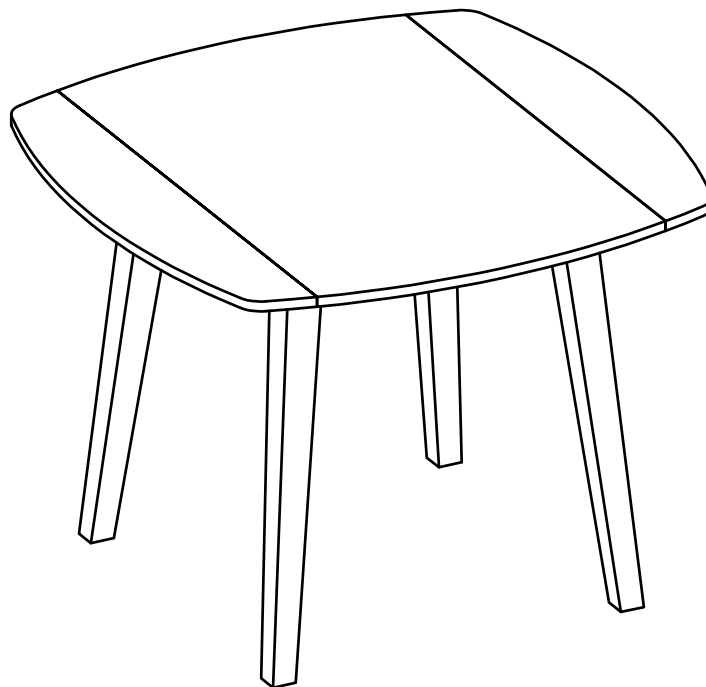


01

A  8 PCS	B  8 PCS	C  M8*70 8 PCS
--	--	---



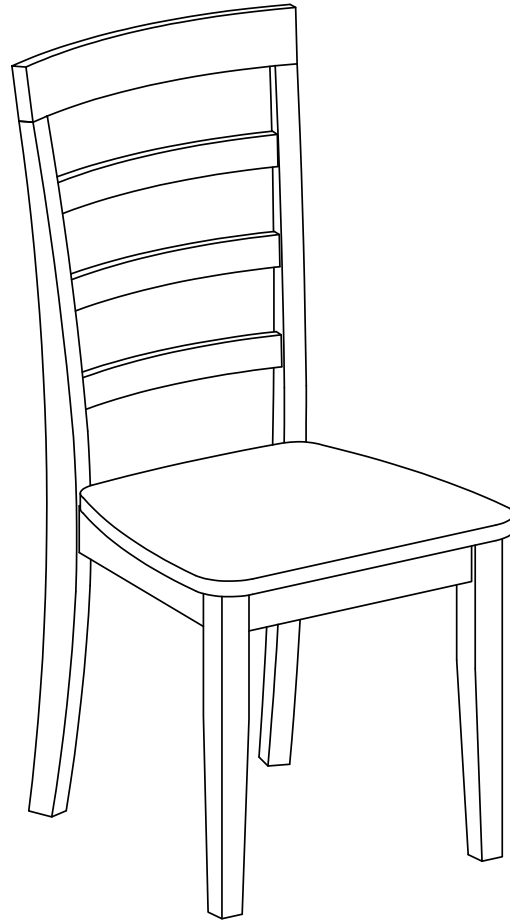
TIGHTEN BOLT COMPLETELY.

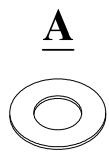


BE SURE TO CHECK ALL BOLTS ARE SECURELY TIGHTENED PRIOR USING THIS TABLE

ASSEMBLY INSTRUCTIONS

DINING CHAIR

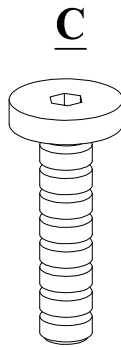




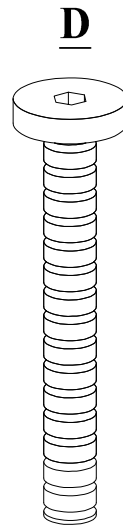
Flat Washer
11 PCS



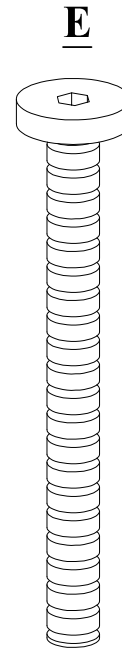
Spring Washer
11 PCS



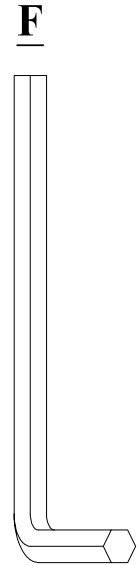
M6*40
3 PCS



M6*60
4 PCS

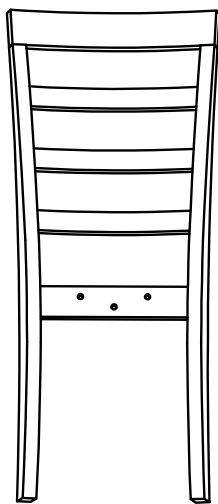


M6*80
4 PCS

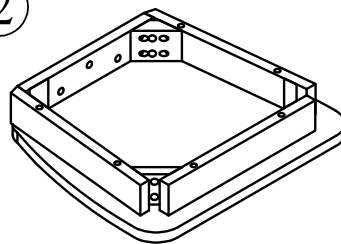


Allen Wrench
1 PC

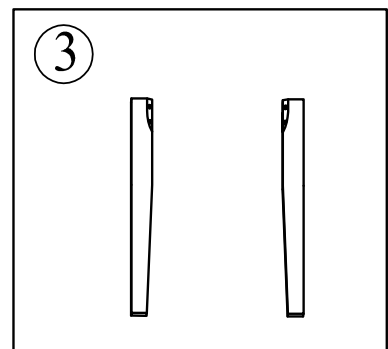
①





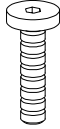
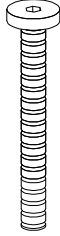
②

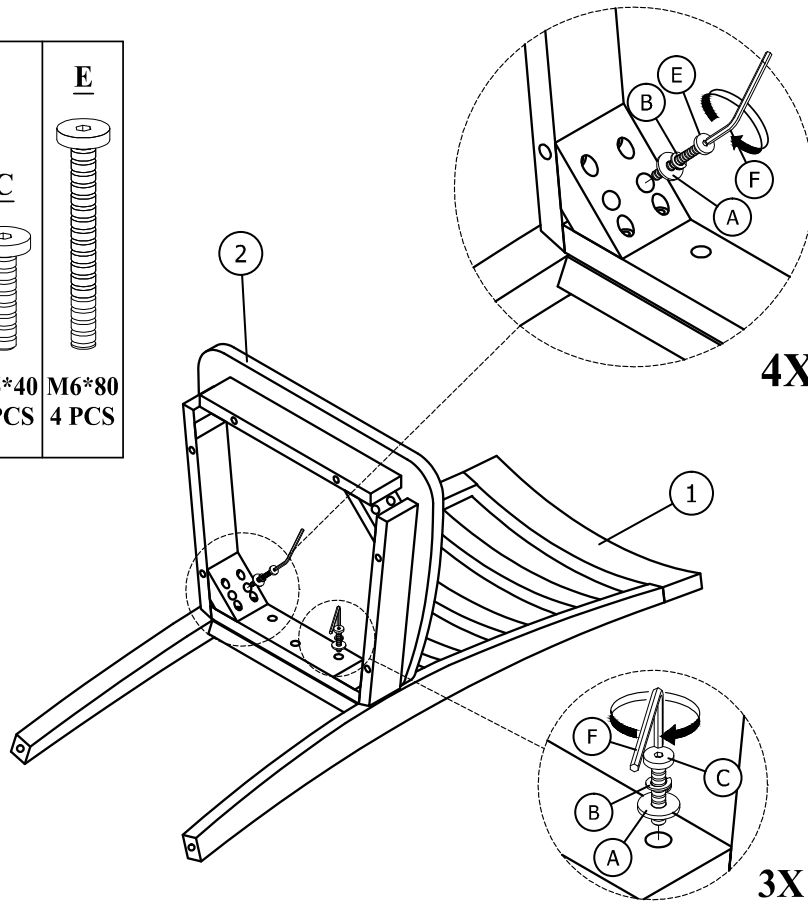


③





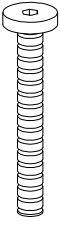
01

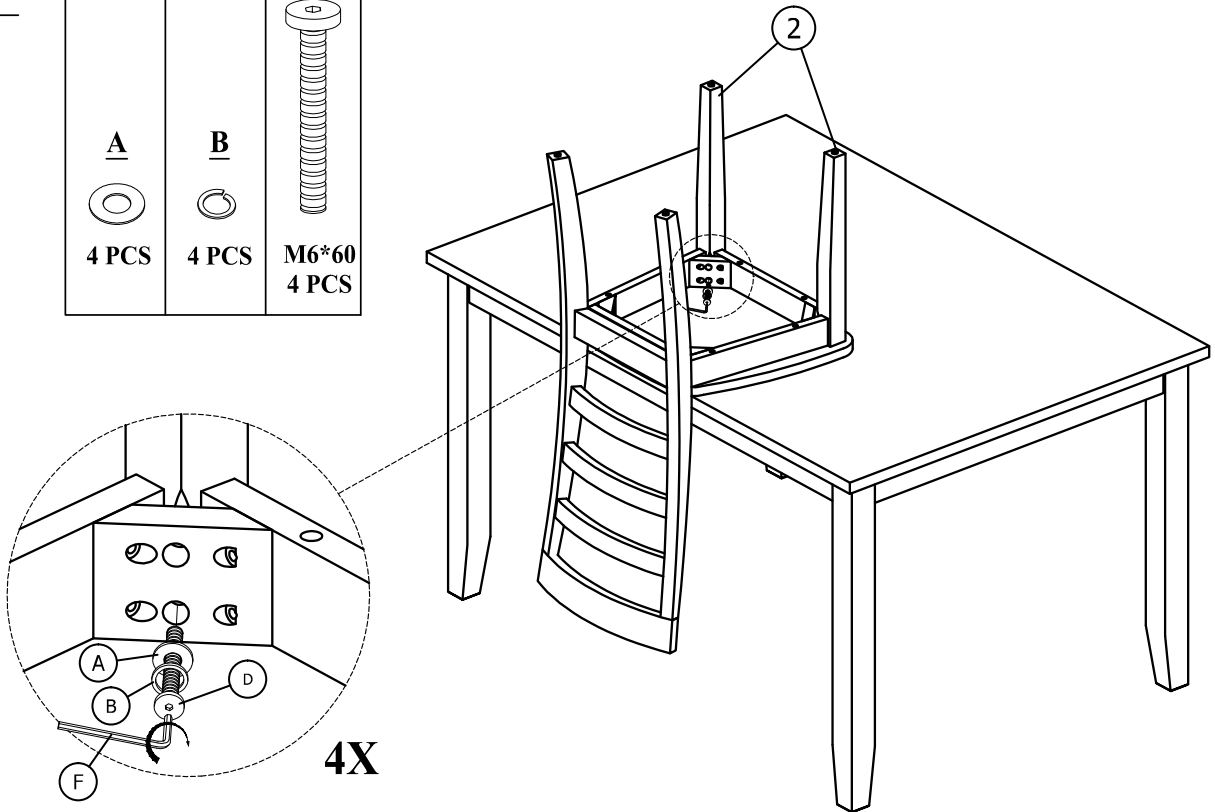
A	B	C	E
			
7 PCS	7 PCS	M6*40 3 PCS	M6*80 4 PCS



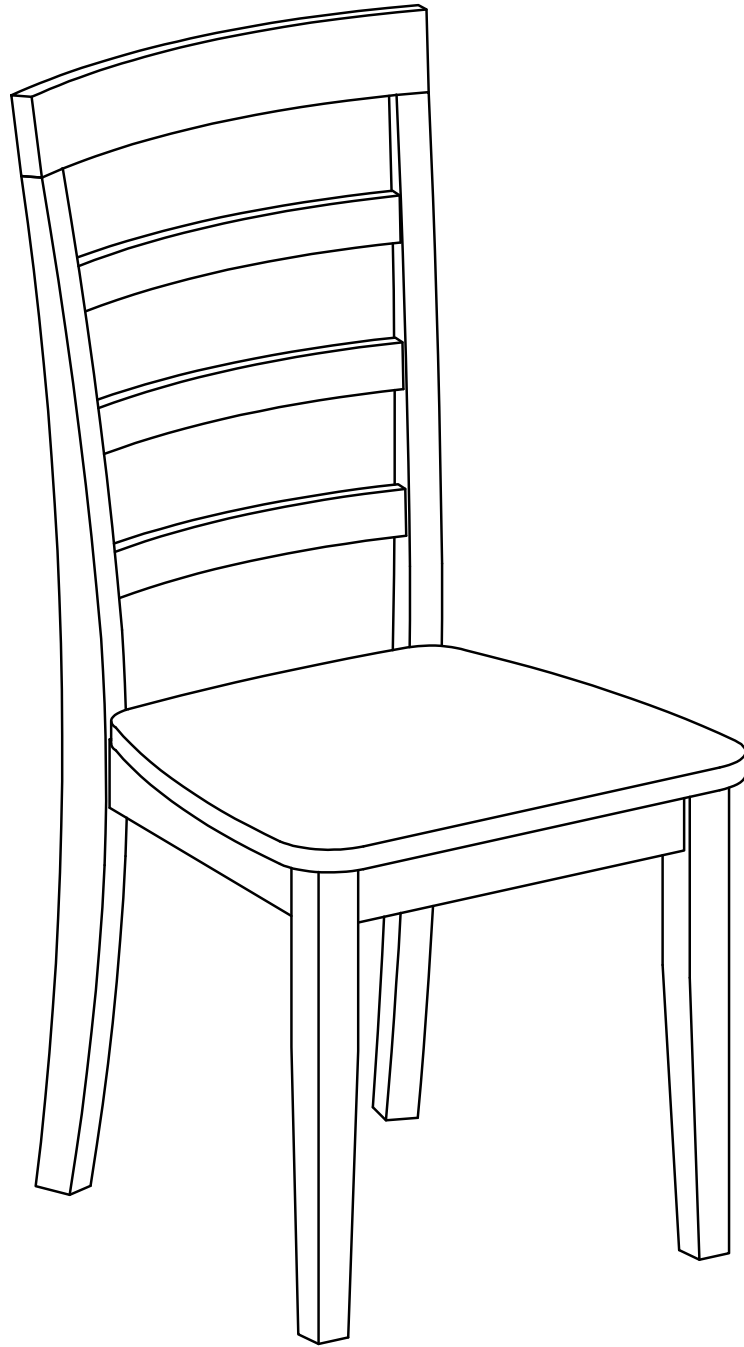
TIGHTEN BOLT COMPLETELY.

02

A	B	D
		
4 PCS	4 PCS	M6*60 4 PCS



TIGHTEN BOLT COMPLETELY.



BE SURE TO CHECK ALL BOLTS ARE SECURELY TIGHTENED PRIOR USING THIS CHAIR