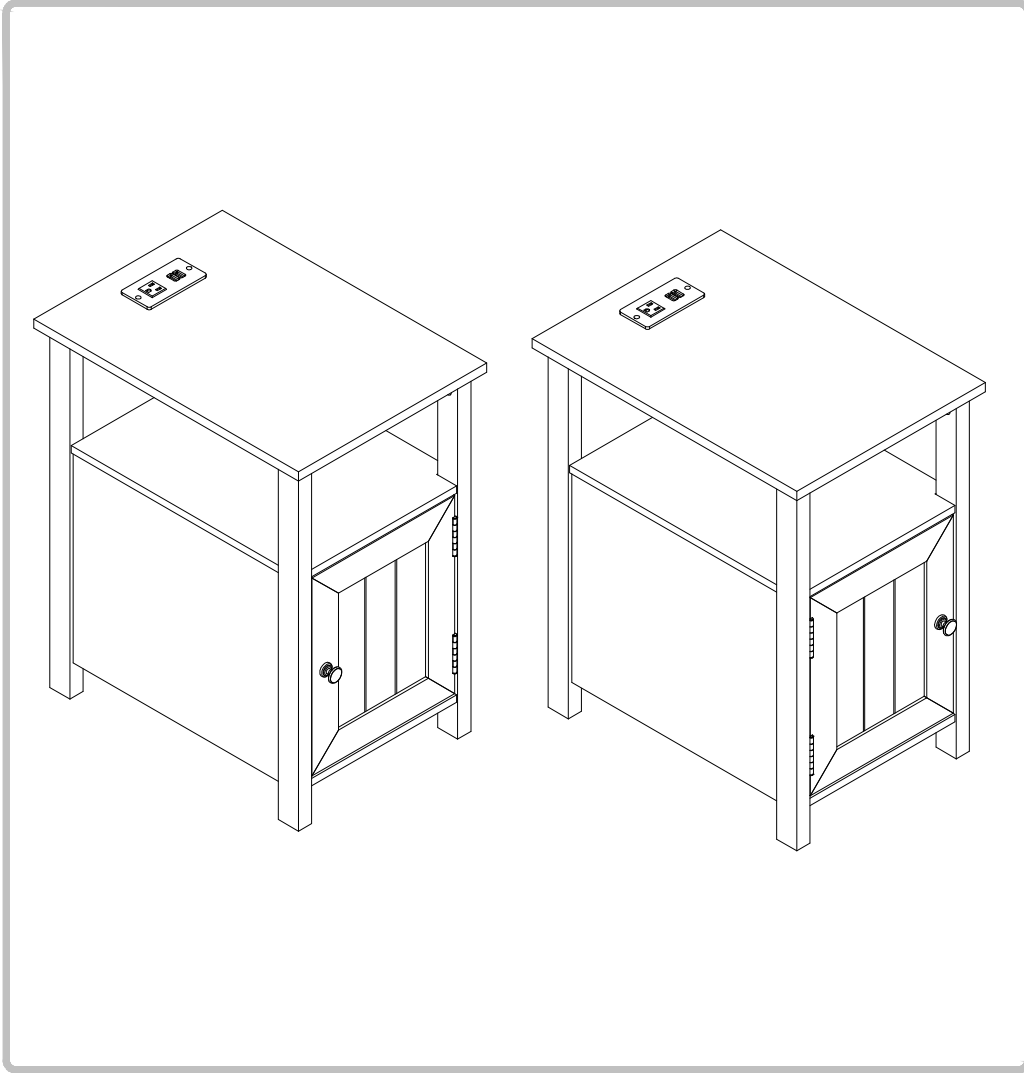


SYA24001



2 ADULTS ASSEMBLY REQUIRED
Se necesitan dos adultos para ensamblar

**THIS INSTRUCTION BOOKLET CONTAINS IMPORTANT SAFETY INFORMATION.
PLEASE READ AND KEEP FOR FUTURE REFERENCE.**

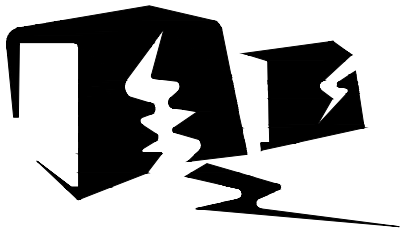
Date 2024-01-02 Rev. 0001-A

BUYING TIPS

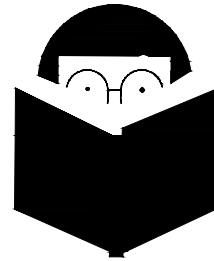
By SinCiDo Customer Team



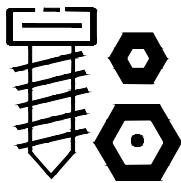
If you have any questions below, please feel free to contact us. We will respond within 24 hours.



ANY DAMAGE



READ INSTRUCTIONS
CAREFULLY



MISS SOME PARTS



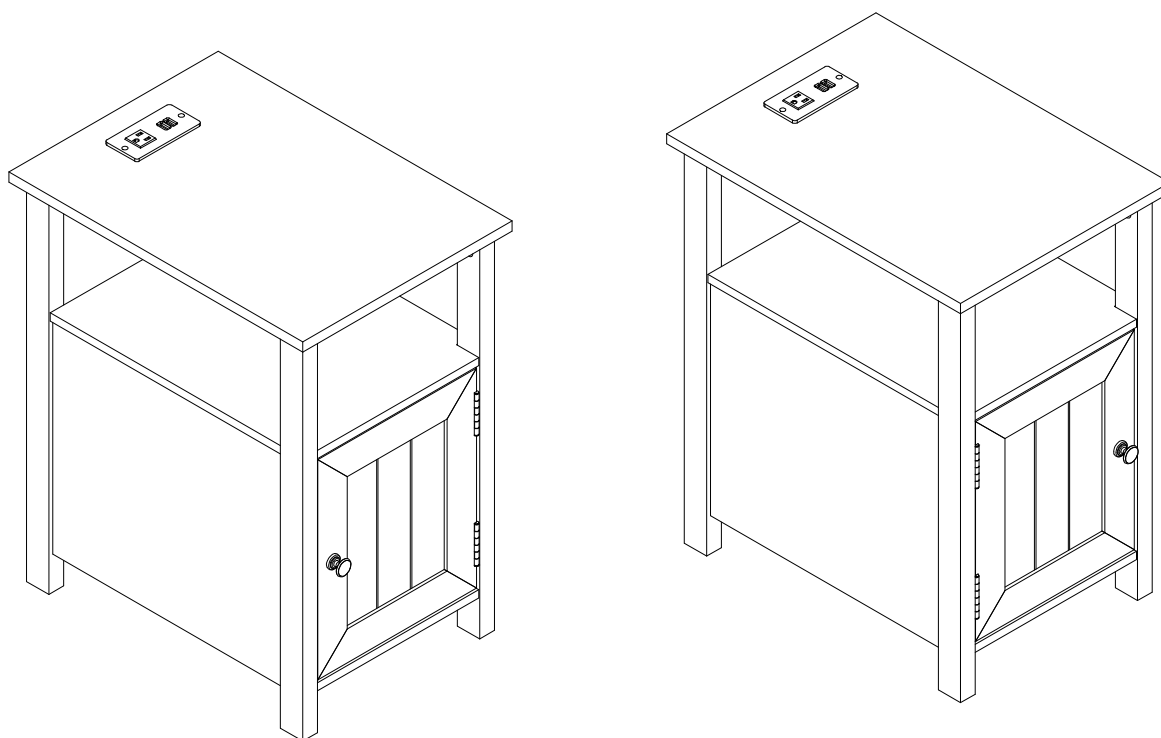
OTHER QUESTIONS

Email: SinCiDoFurniture@outlook.com

GENERAL INFORMATION, TIPS AND TRICKS

1. Please read the Assembly Instructions prior to assembling this product.
2. Remove all hardware from the box and sort by size.
3. Check to see that all hardware and parts are present BEFORE assembling.
4. Ask a friend to assist you with the assembly of this furniture.
5. To avoid damage, assemble the product on a sturdy, level and protective surface.
6. Please wait until all steps are completed before fully tightening bolts.
7. Make sure all screws and bolts are tightly fastened before the unit is used.

TO REDUCE THE RISK OF FIRE, ELECTRICAL SHOCK OR INJURY TO PERSONS, PLEASE FOLLOW THE NEXT



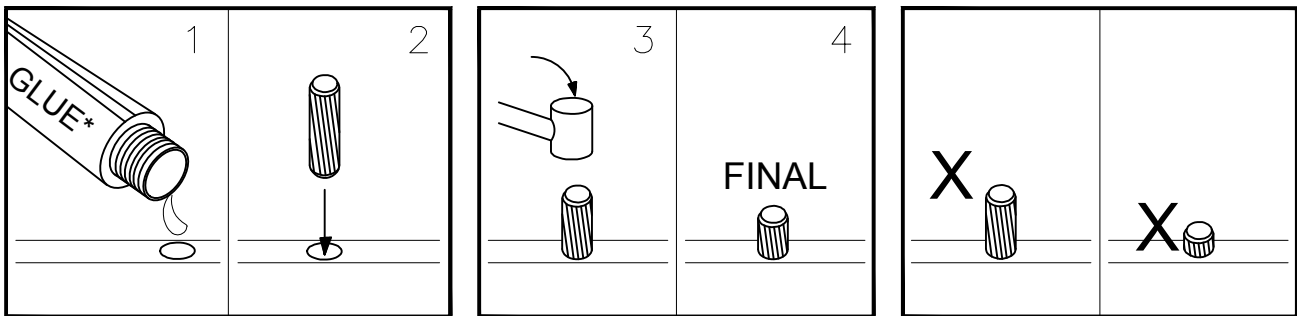
- .Use only insulated staples or plastic ties (not included) to secure the cords.
- .Route and secure cords so that they will not be pinched or damaged when the desk is pushed up against the wall.
- .Make sure cord is not pinched between desk and floor.
- .Use the unit indoors only.
- .Do not use an extension cord to connect this unit to a wall outlet.
- .This unit must be plugged into a properly grounded outlet.
- .The socket outlet should be installed near the equipment and should be easily accessible.
- .Maximum load of connected equipment cannot exceed a total of 12 amps and 120 volts.
- .Do not open or disassemble this unit for any reason.

IMPORTANT

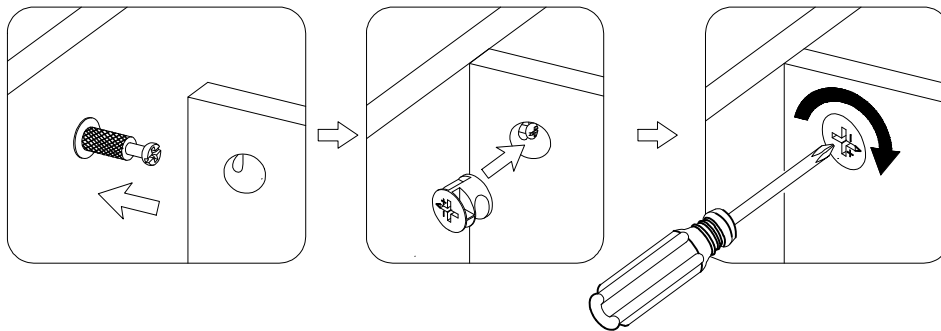
Before you begin: Open, identify and count all parts prior to assembly. Lay out parts on a flat and non-abrasive surface.

NOTE: IT IS VERY IMPORTANT TO USE GLUE WITH THE DOWELS. EXCESS GLUE CAN BE WIPED OFF WITH A DAMP CLOT.

Insert Dowel at least half way by tapping lightly with a rubber mallet (not included), IF NECESSARY.



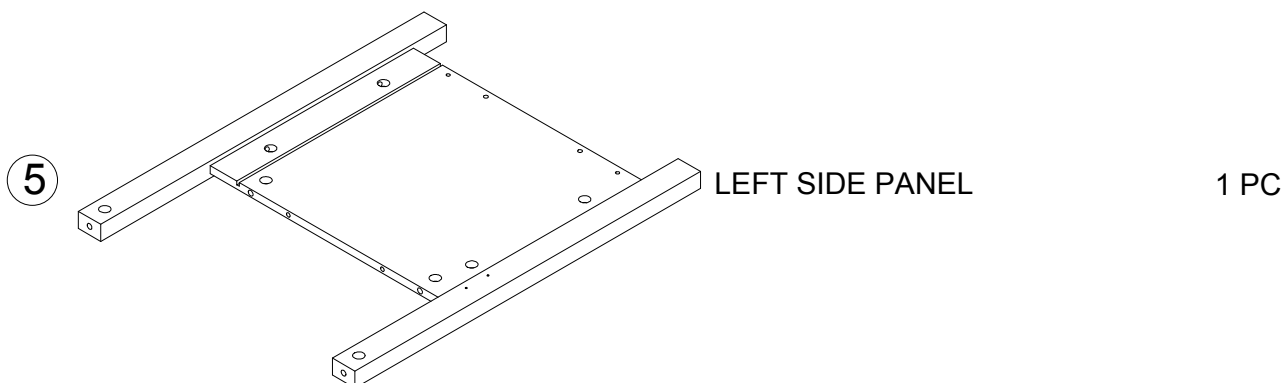
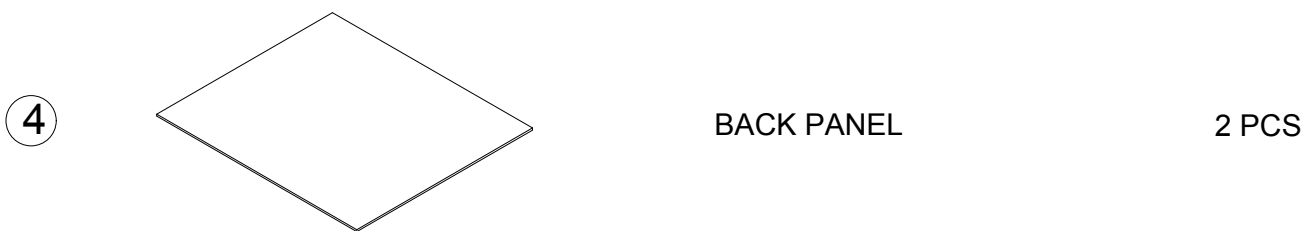
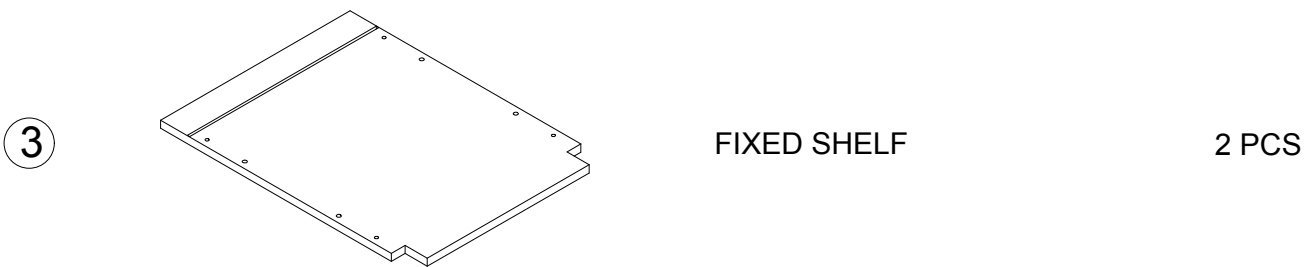
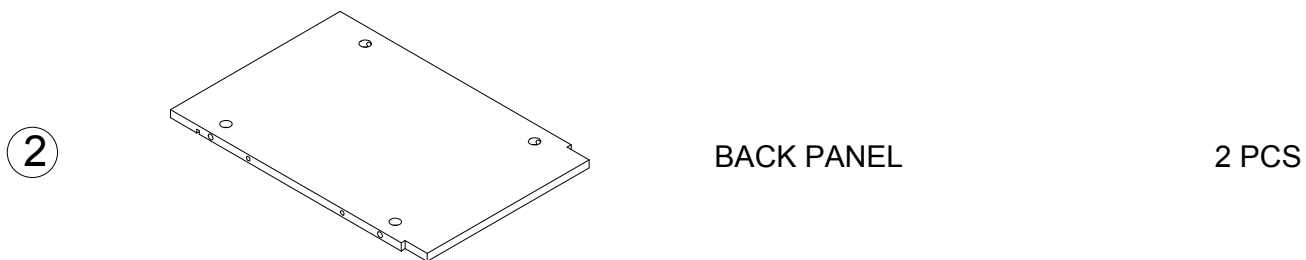
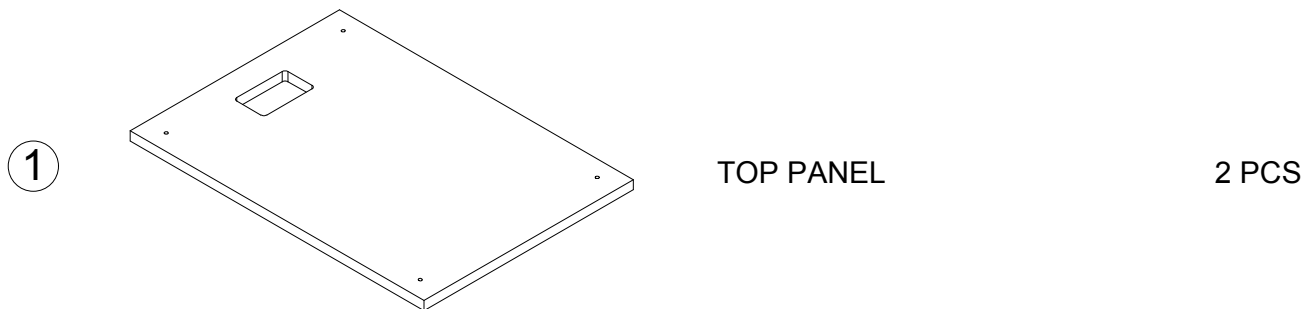
CAM LOCK SYSTEM OPERATION



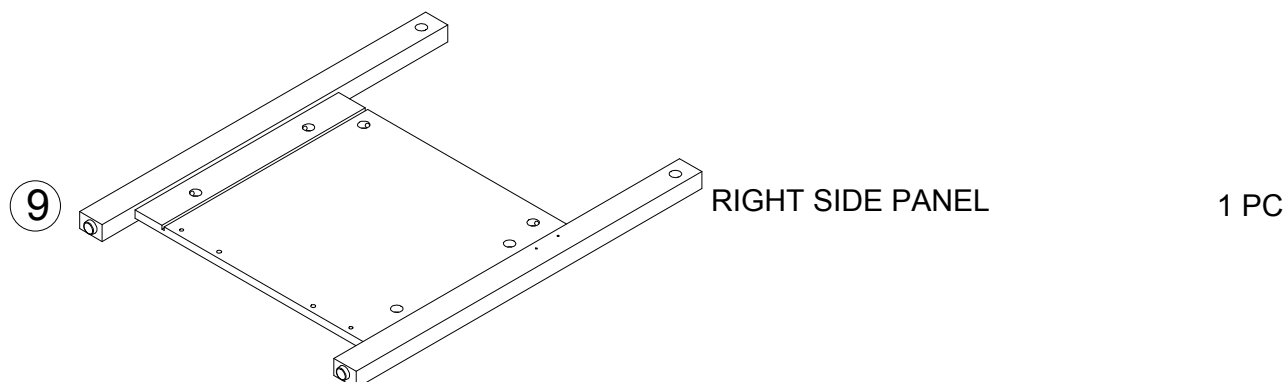
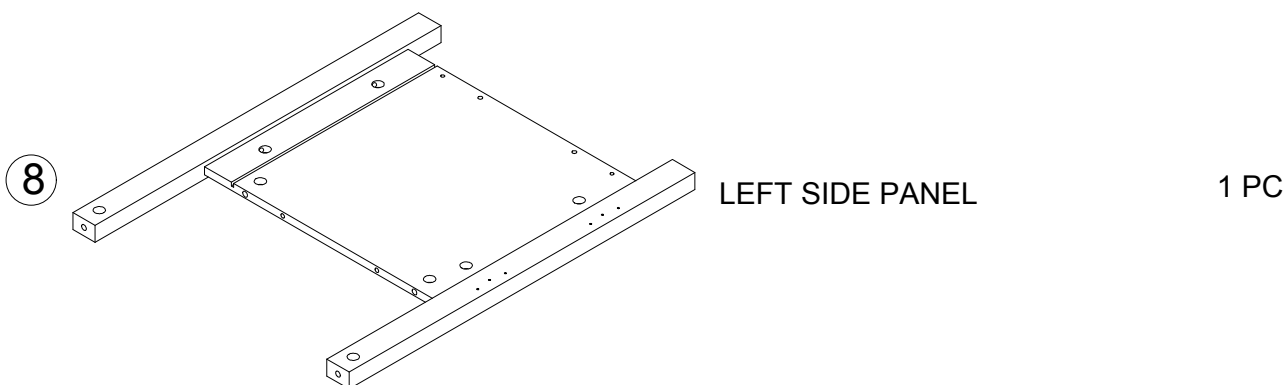
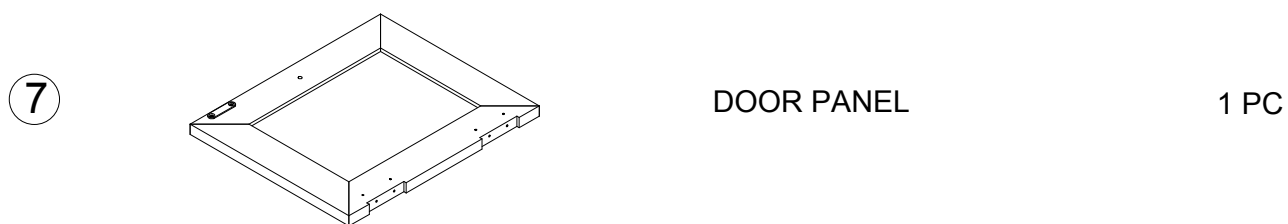
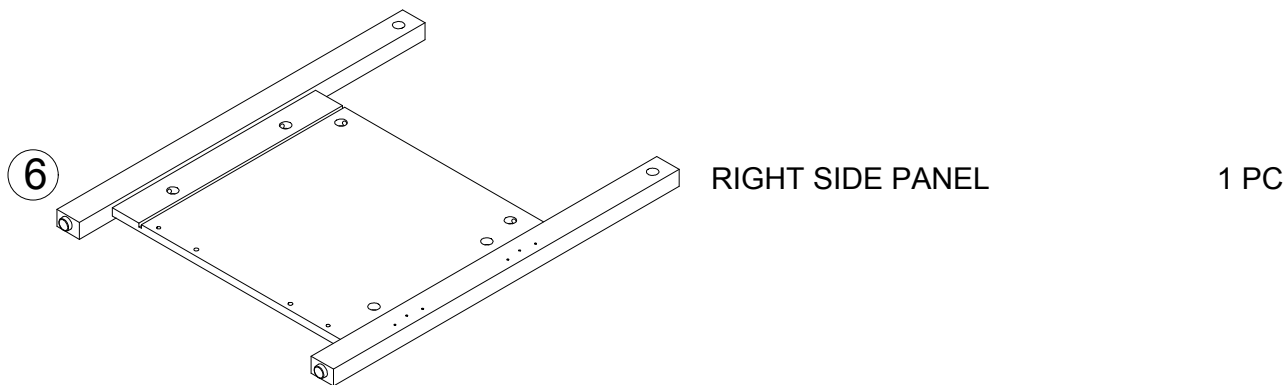
HOW THE KNOCK DOWN (KD) ASSEMBLY SYSTEM WORKS

1. Screw the Cam Bolt into the pre-drilled small holes on the panel. Connect both panels together; making sure the Cam Bolt goes into the pre-drilled hole at the end of the panel with the Cam Lock.
2. Insert the Cam Lock into the pre-drilled large hole in the panel. Make sure the arrow on the Cam Lock is pointed towards the Cam Bolt.
3. Once the Cam Bolt is connected inside the Cam Lock, take a Phillips screwdriver (not included) and tighten the Cam Lock clockwise.

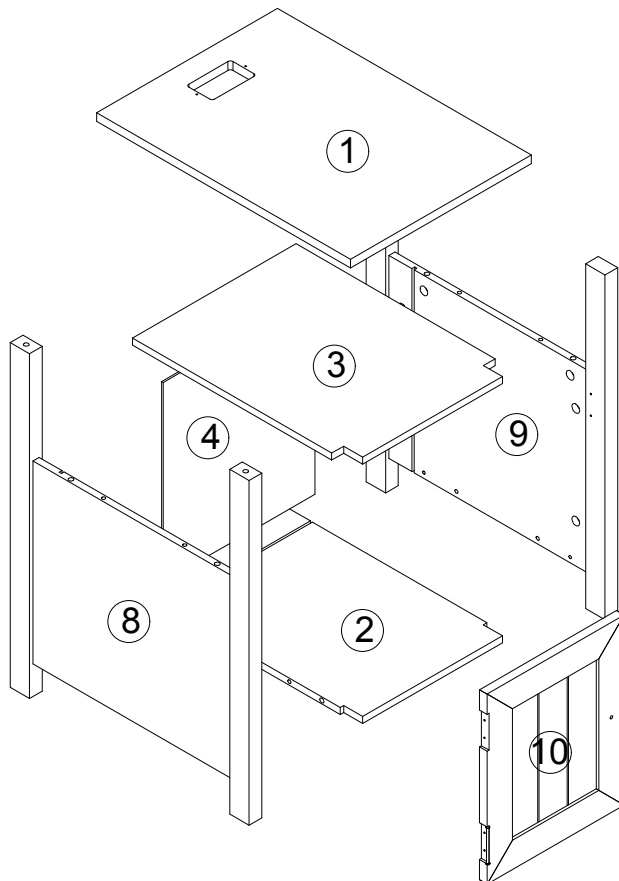
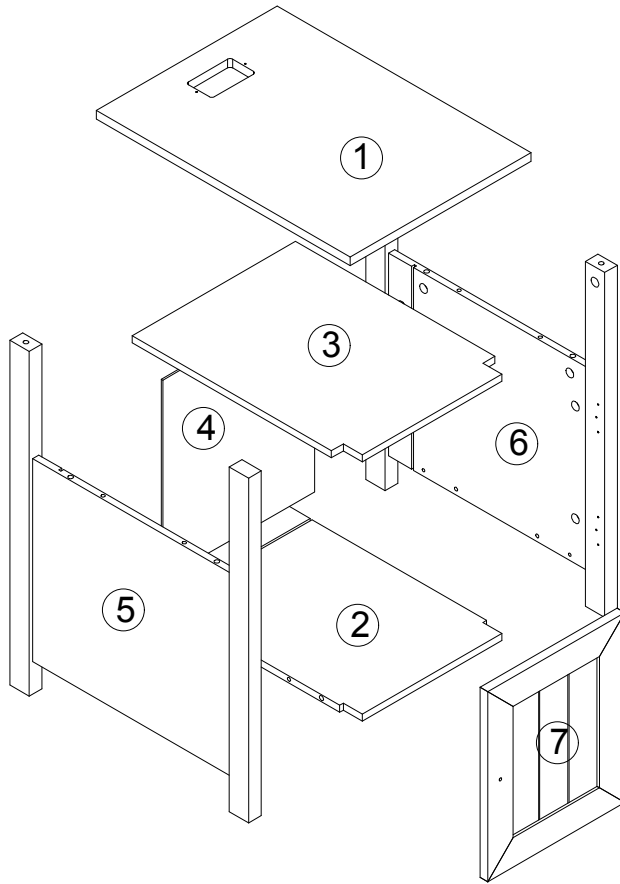
BOARD IDENTIFICATION-1



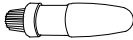
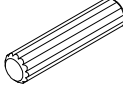
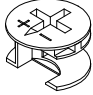


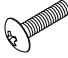
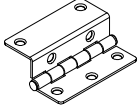

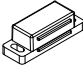

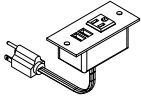
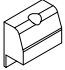

BOARD IDENTIFICATION-2



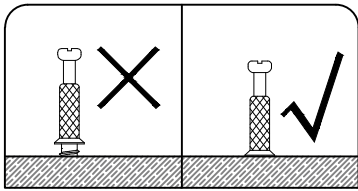
BOARD IDENTIFICATION



HARDWARE IDENTIFICATION-1

A		GLUE	1 PC
B		WOODEN DOWEL Ø6 x 30mm	16 PCS
C		CAM LOCK Ø15 x 9mm	24 PCS
D		CAM SCREW Ø7 x 34mm	24 PCS
E		HANDLE	2 PCS
F		HANDLE BOLT 5/32" x 21mm	2 PCS
G		HINGE	4 PCS
H		WOOD SCREW Ø3.5 x 12 x 6mm	32 PCS
I		MAGNET	2 PCS
J		WOOD SCREW Ø3 x 16 x 6mm	4 PCS
K		USB LNTERFACE	2 PCS
L		PLASTIC WEDGE	8 PCS
M		FLAT-HEAD SCREW Ø3*16	8 PCS

STEP 1



B
2 x



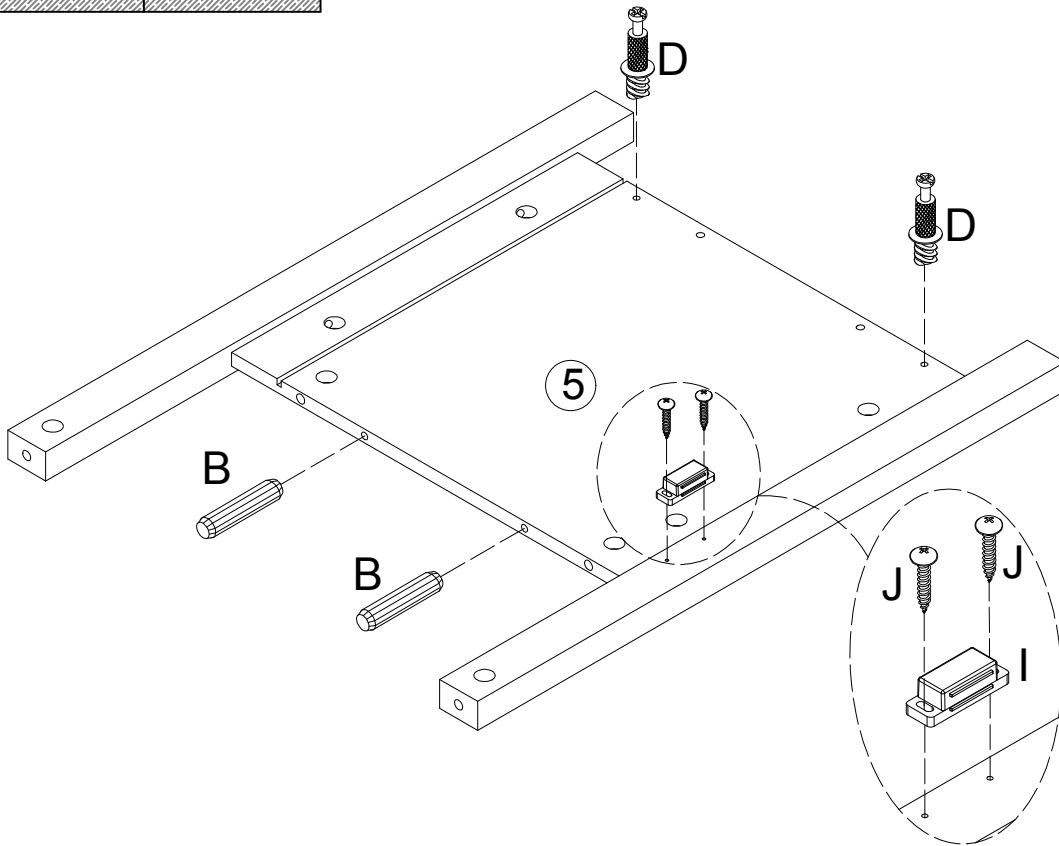
D
2 x



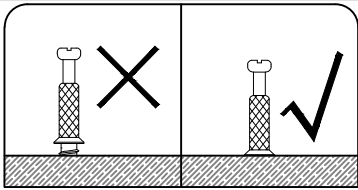
I
1 x



J
2 x



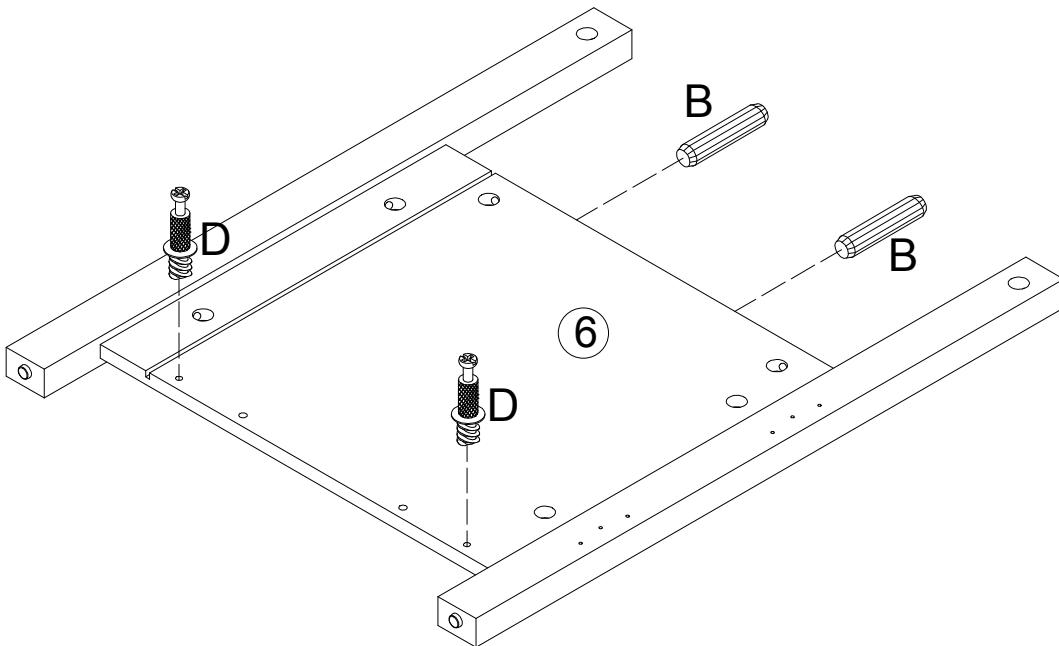
STEP 2



B
2 x

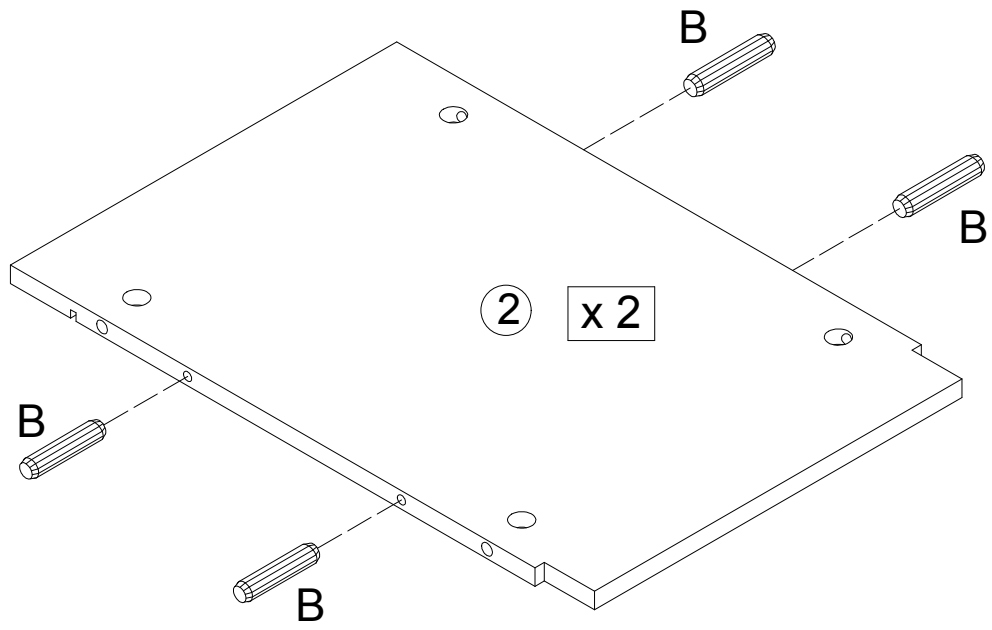


D
2 x



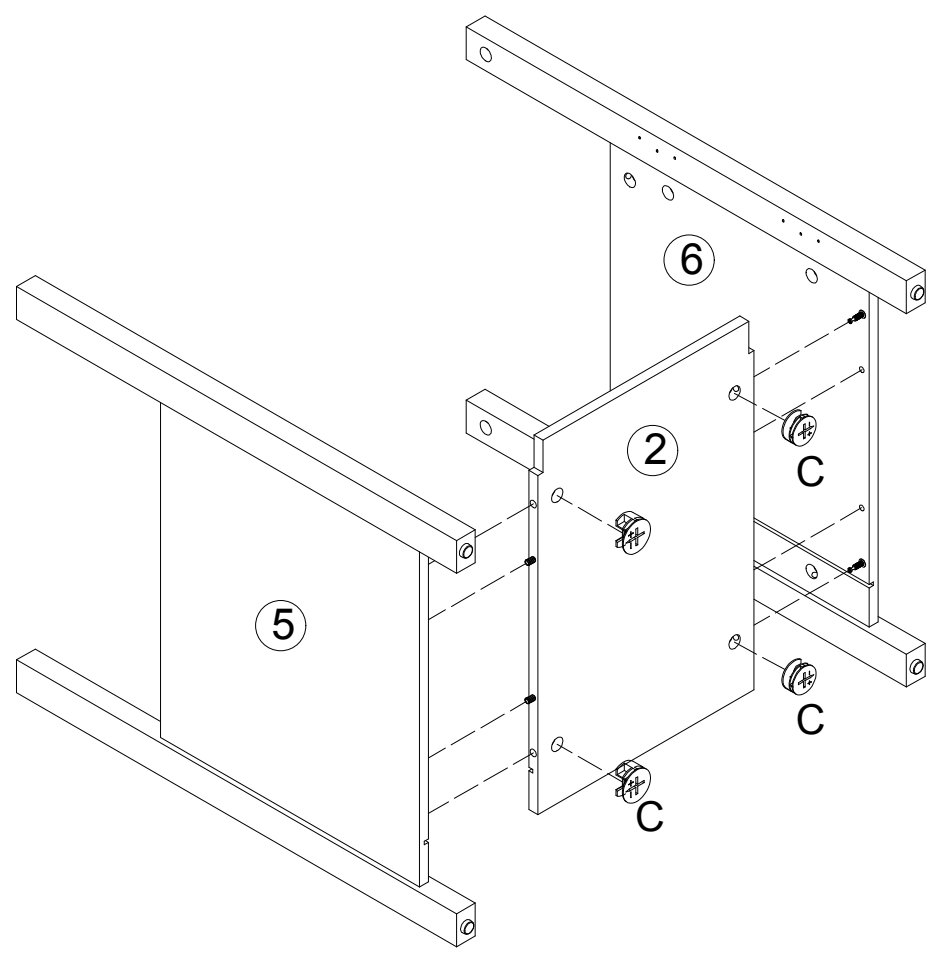
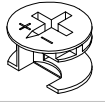
STEP
3

B
8 x

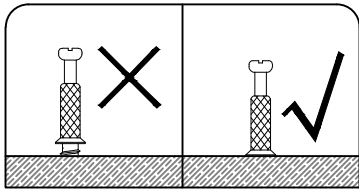


STEP
4

C
4 x



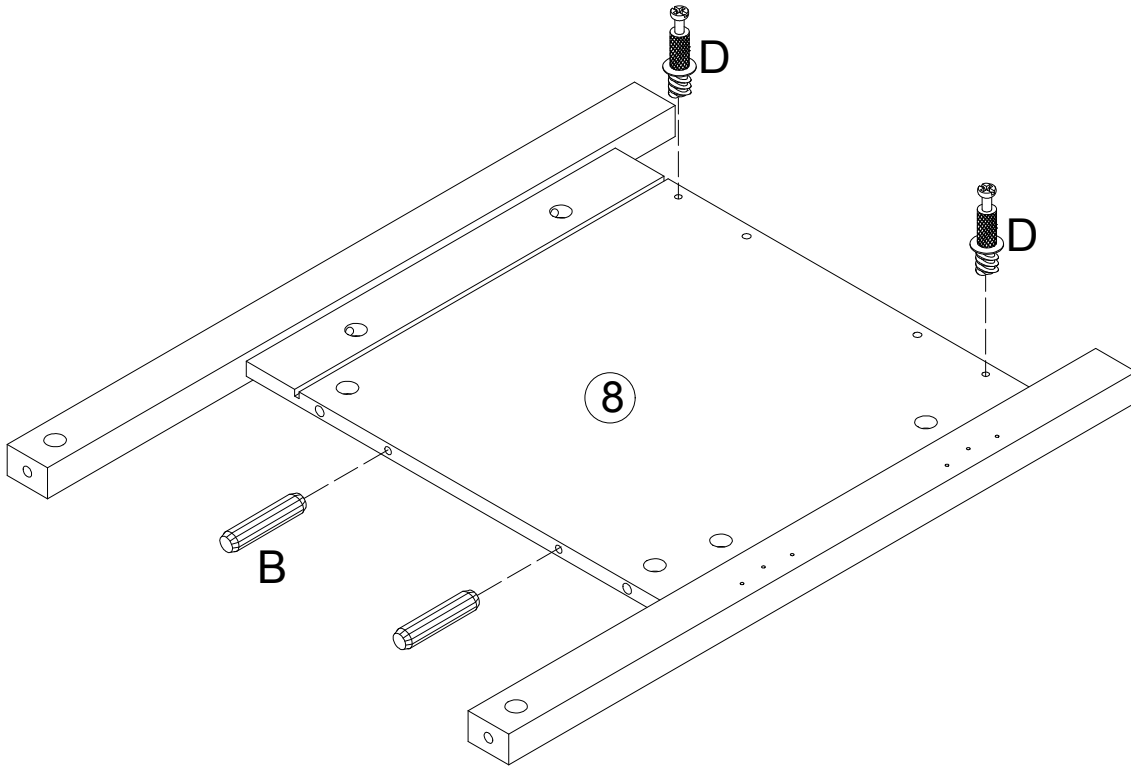
STEP
5



B
2 x



D
2 x



STEP
6

B
2 x



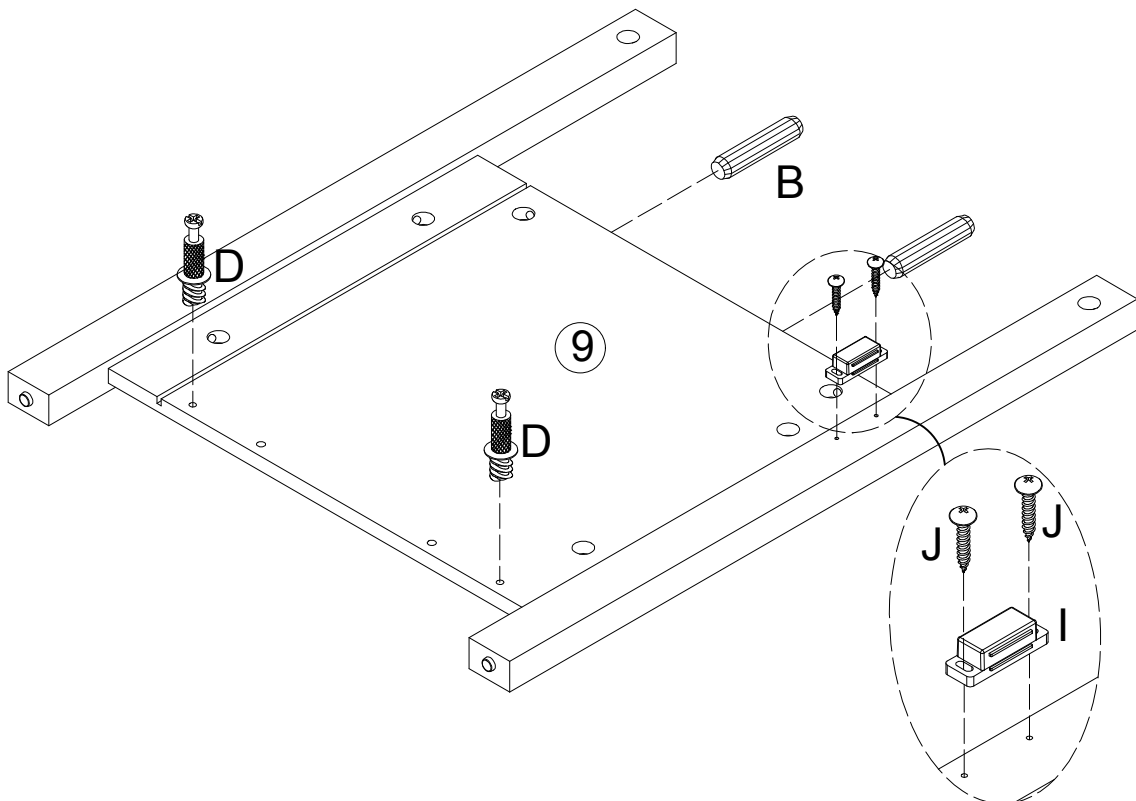
D
2 x



I
1 x

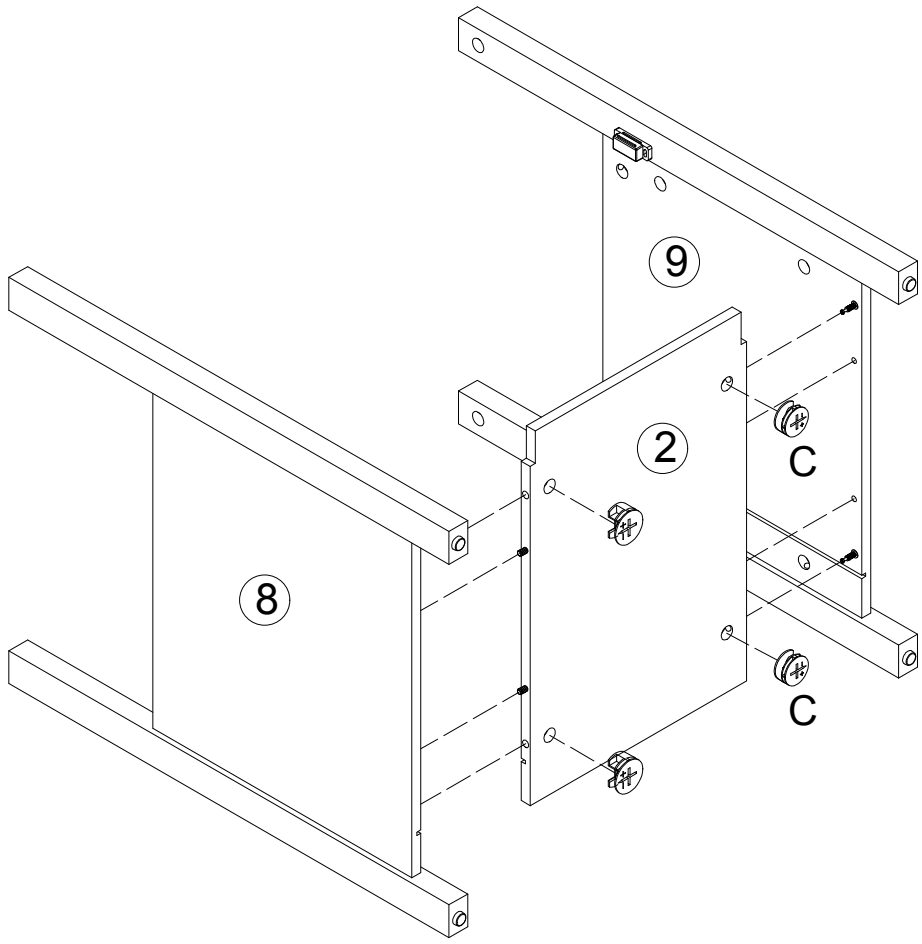
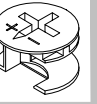


J
2 x

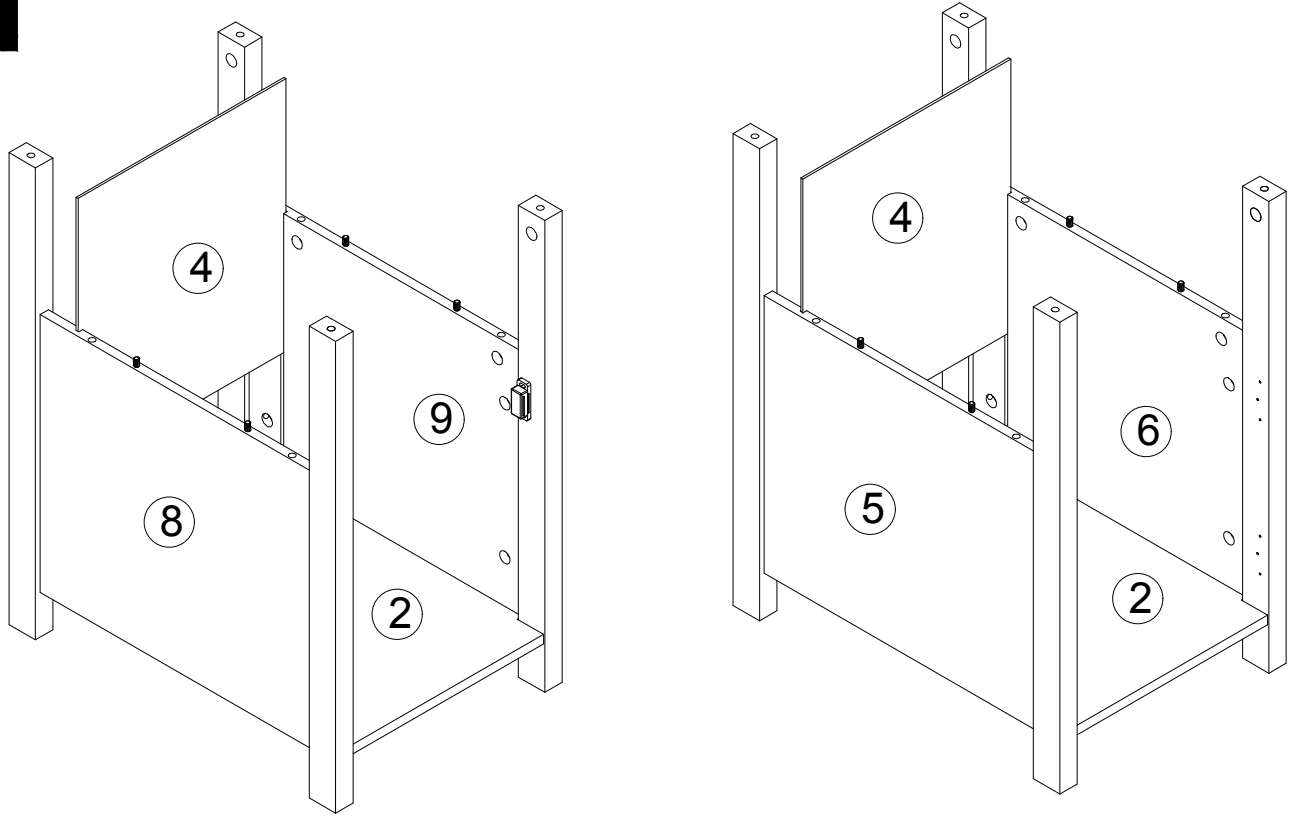


STEP
7

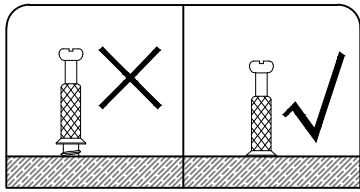
C
4 x



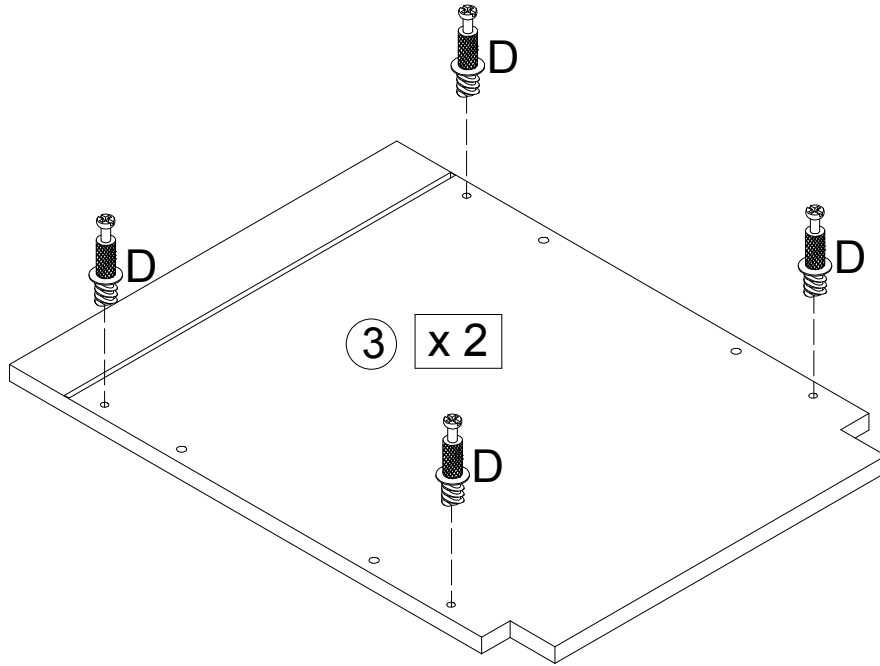
STEP
8



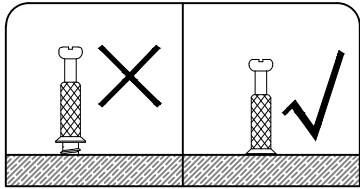
**STEP
9**



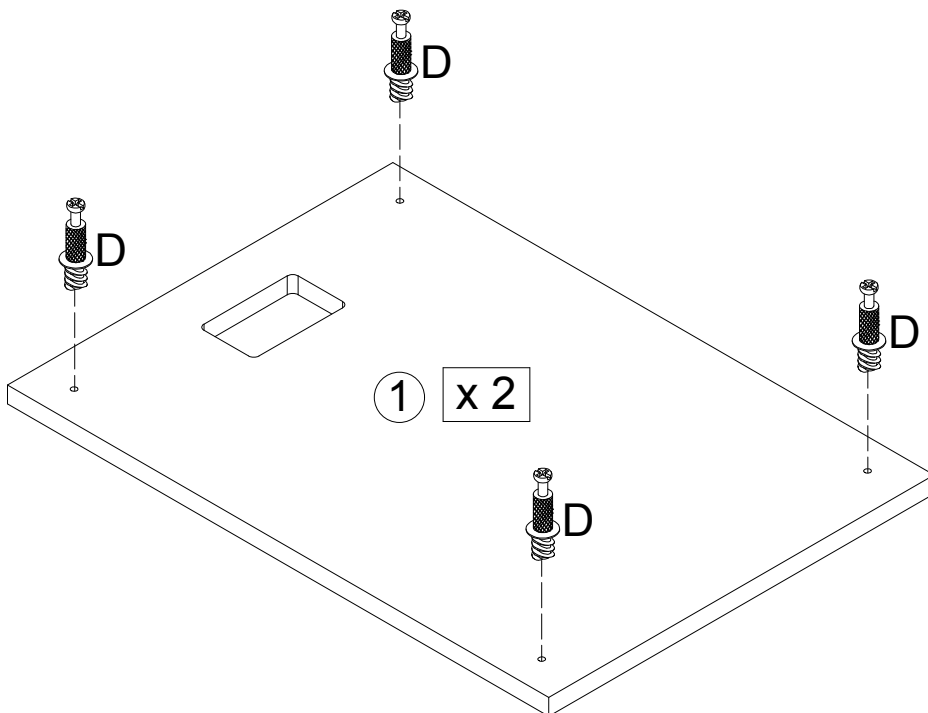
D
8 x 



**STEP
10**

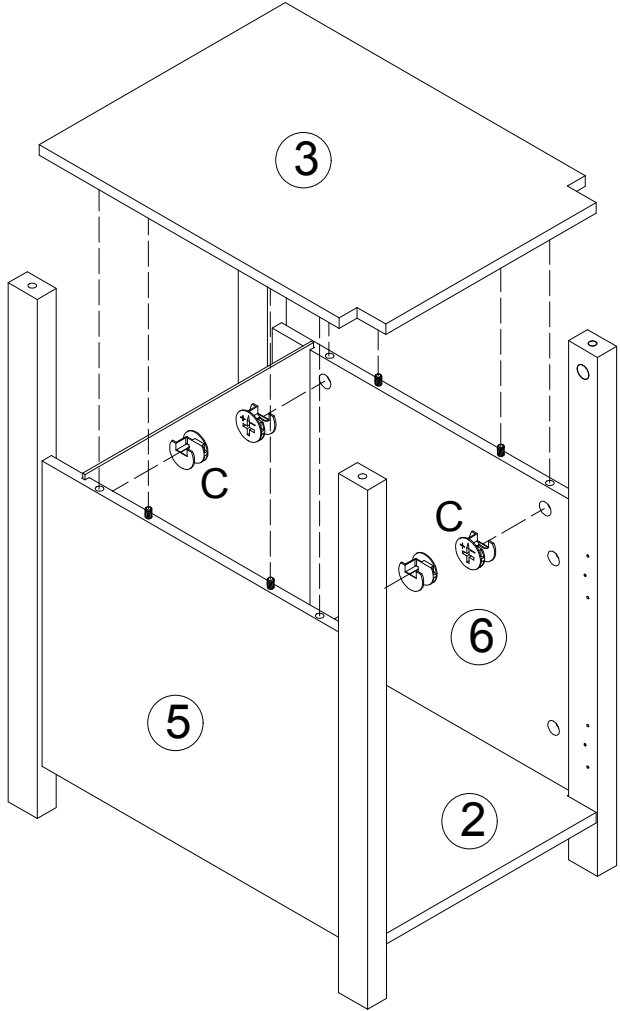
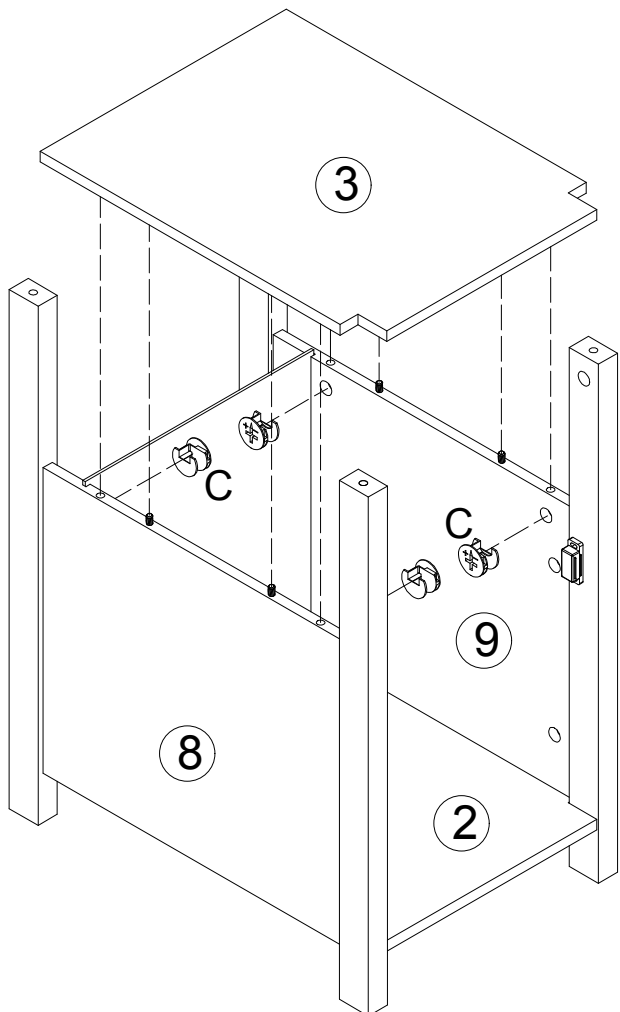
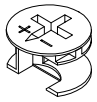


D
8 x 



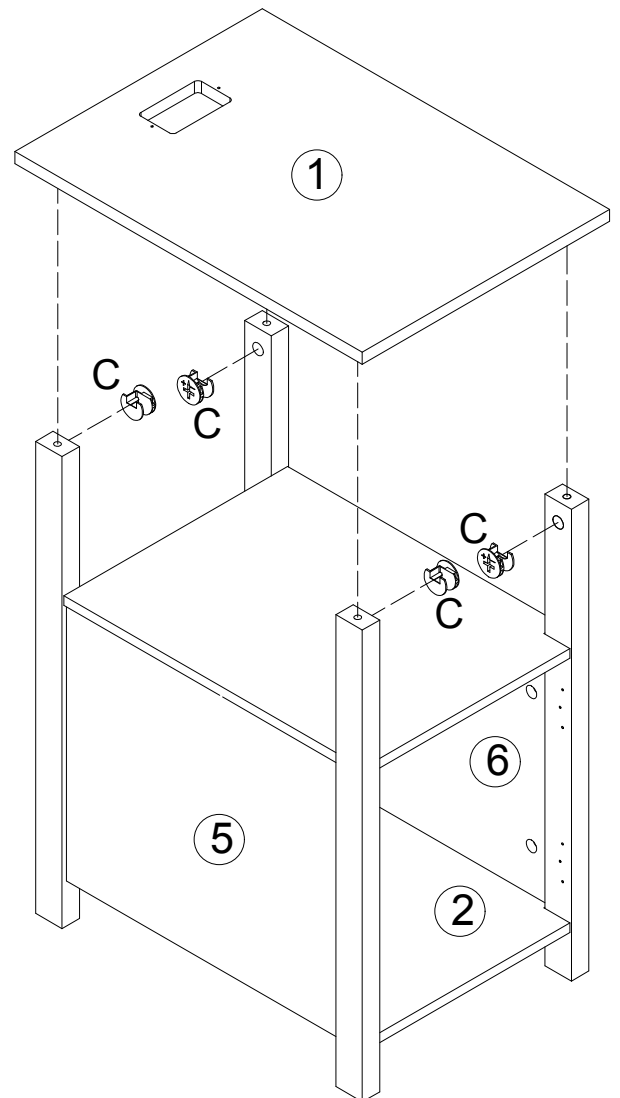
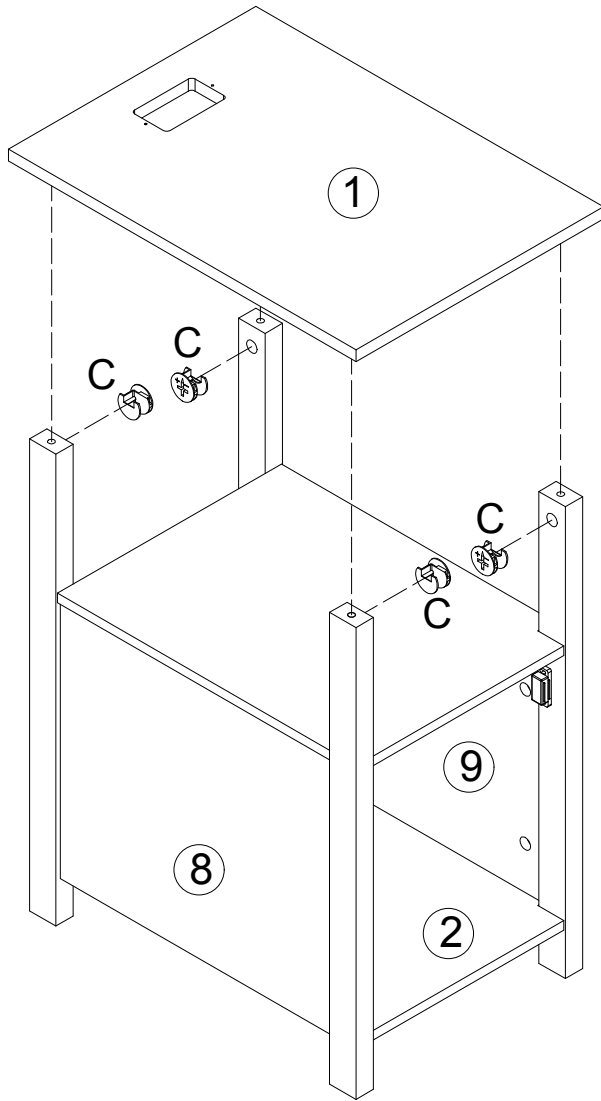
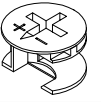
STEP
11

C
8 x



**STEP
12**

C
8 x



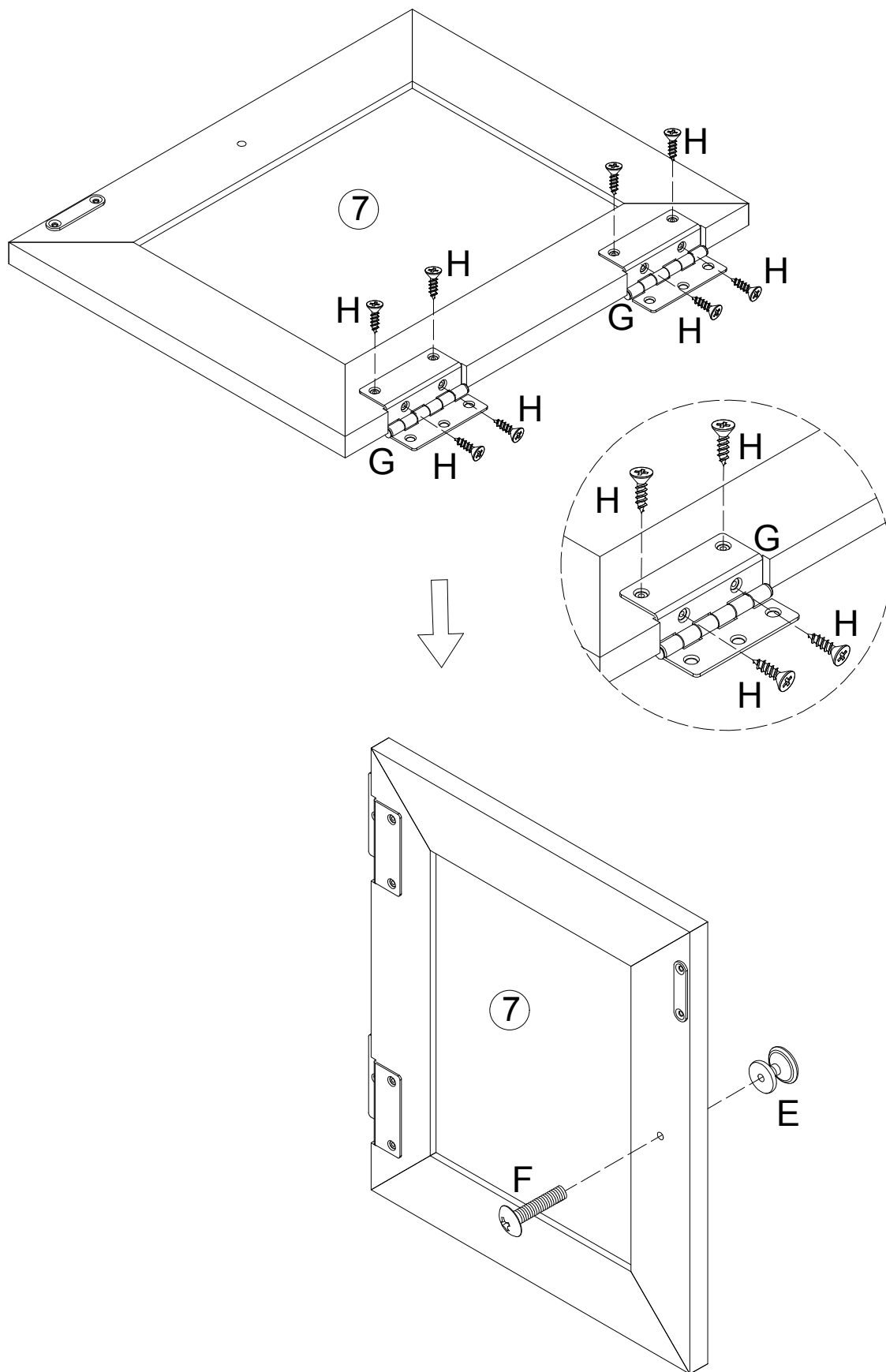
STEP
13

G
2 x

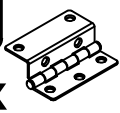


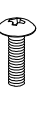
H
8 x

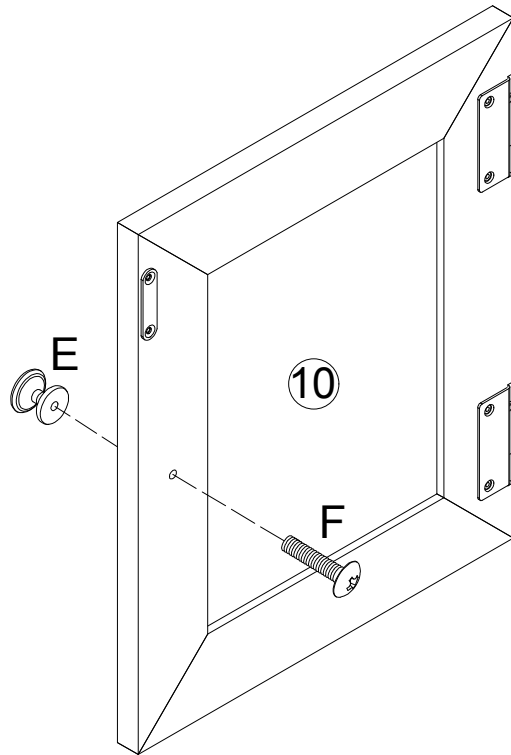
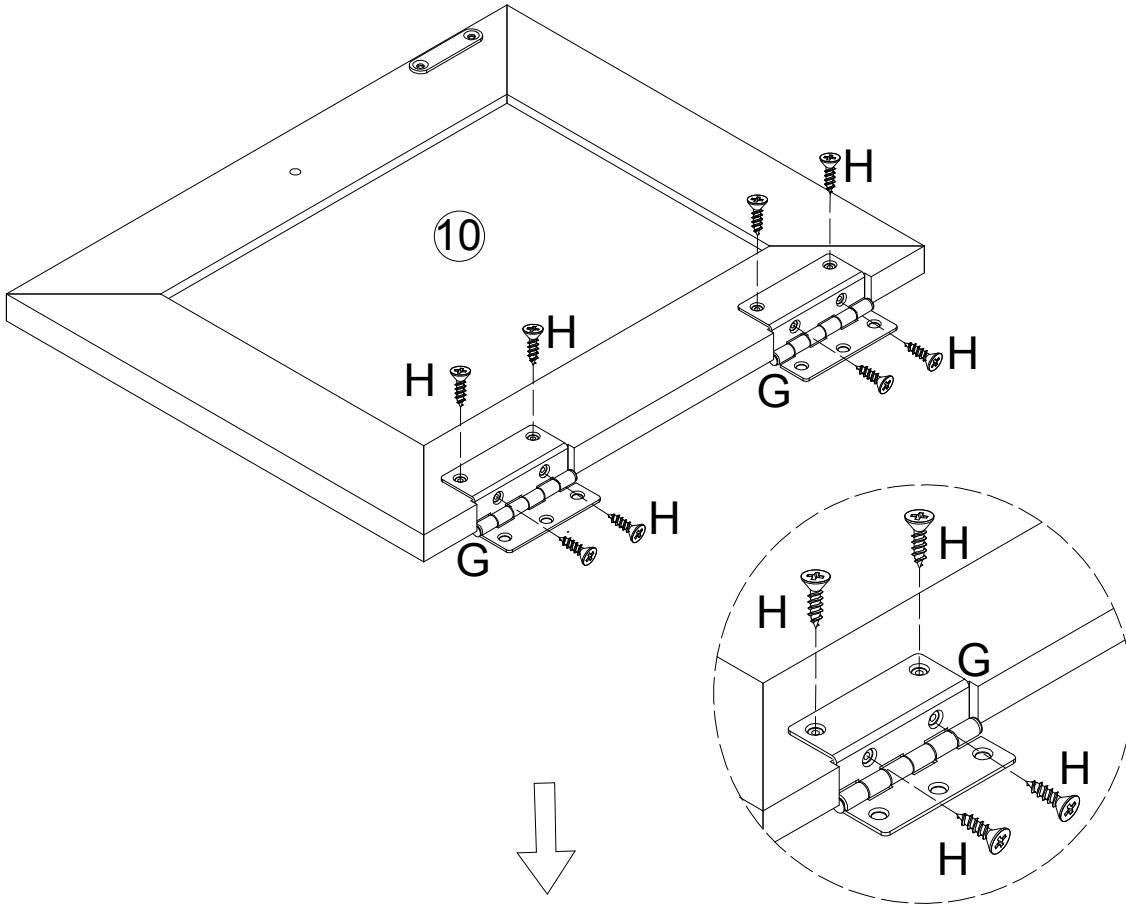
E
1 x

F
1 x



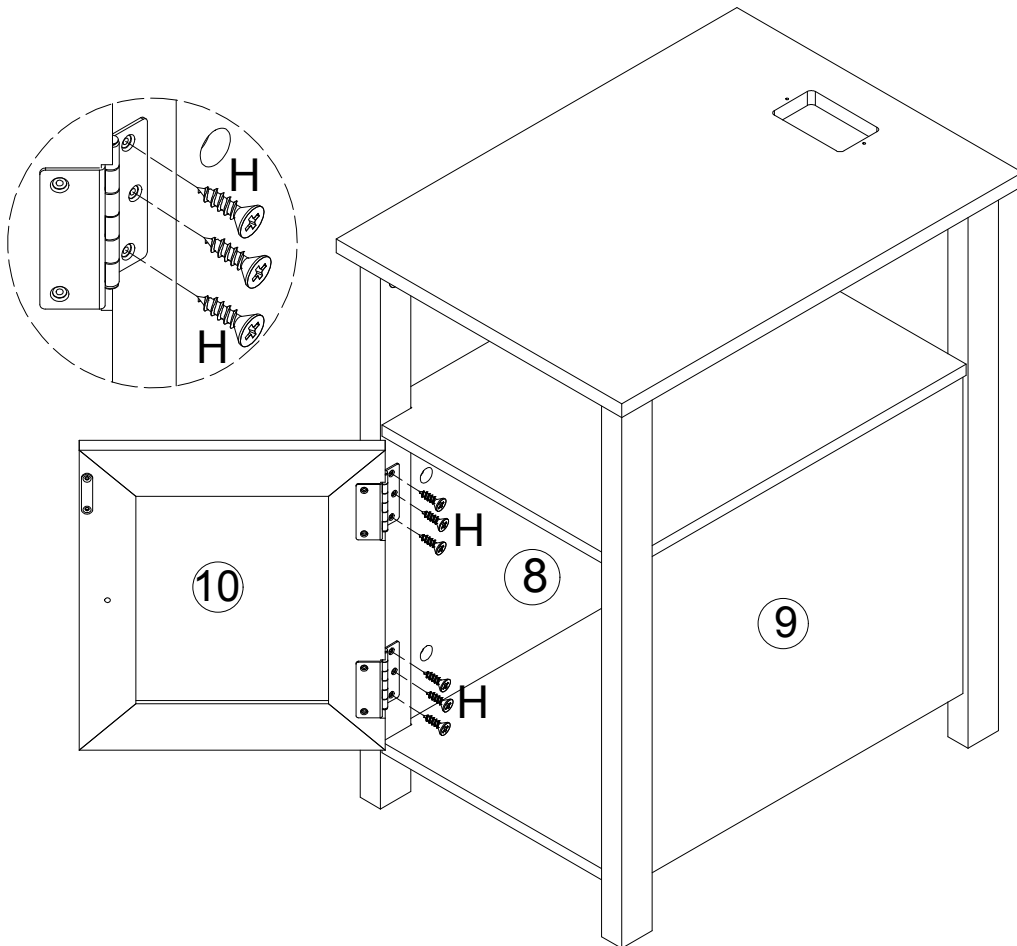
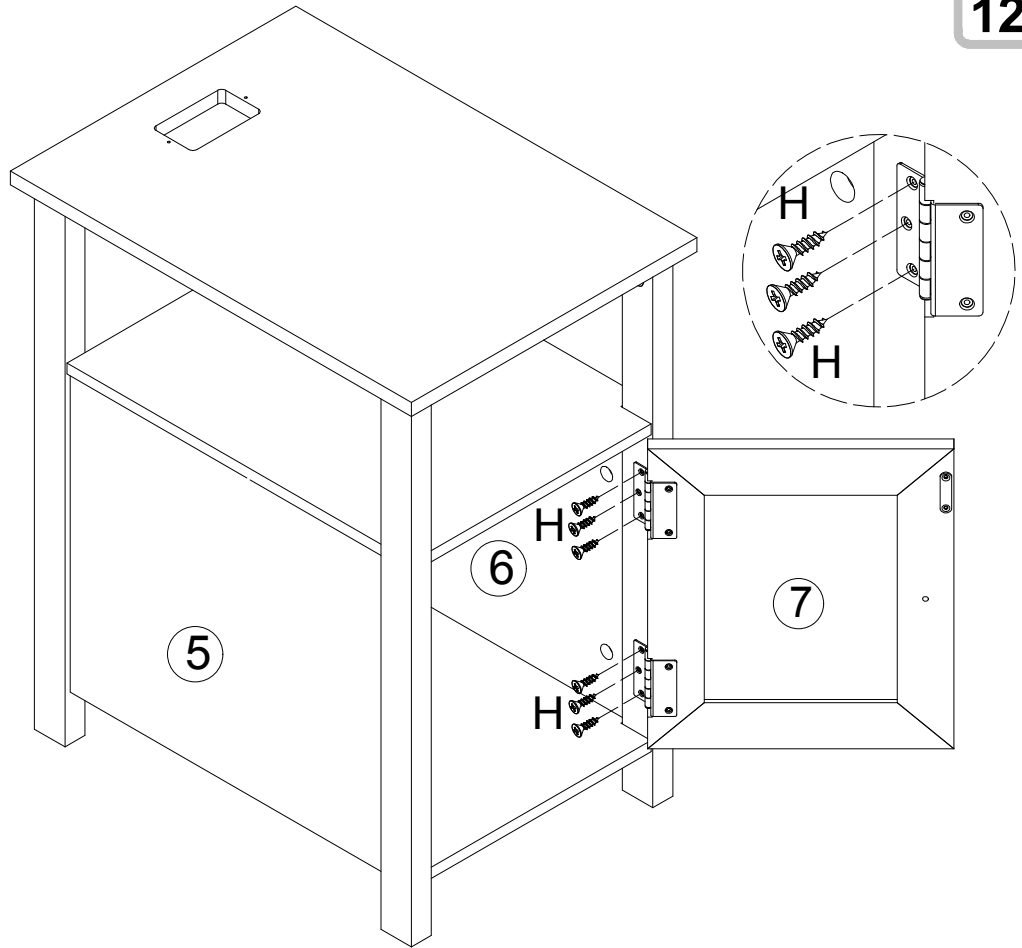
STEP
14

- | | | | | | | | |
|-----------------|--|-----------------|--|-----------------|--|-----------------|--|
| G
2 x |  | H
8 x |  | E
1 x |  | F
1 x |  |
|-----------------|--|-----------------|--|-----------------|--|-----------------|--|



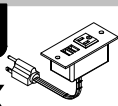
STEP
15

H
12 x 



STEP
16

K
2 x



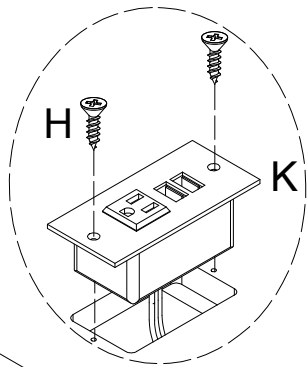
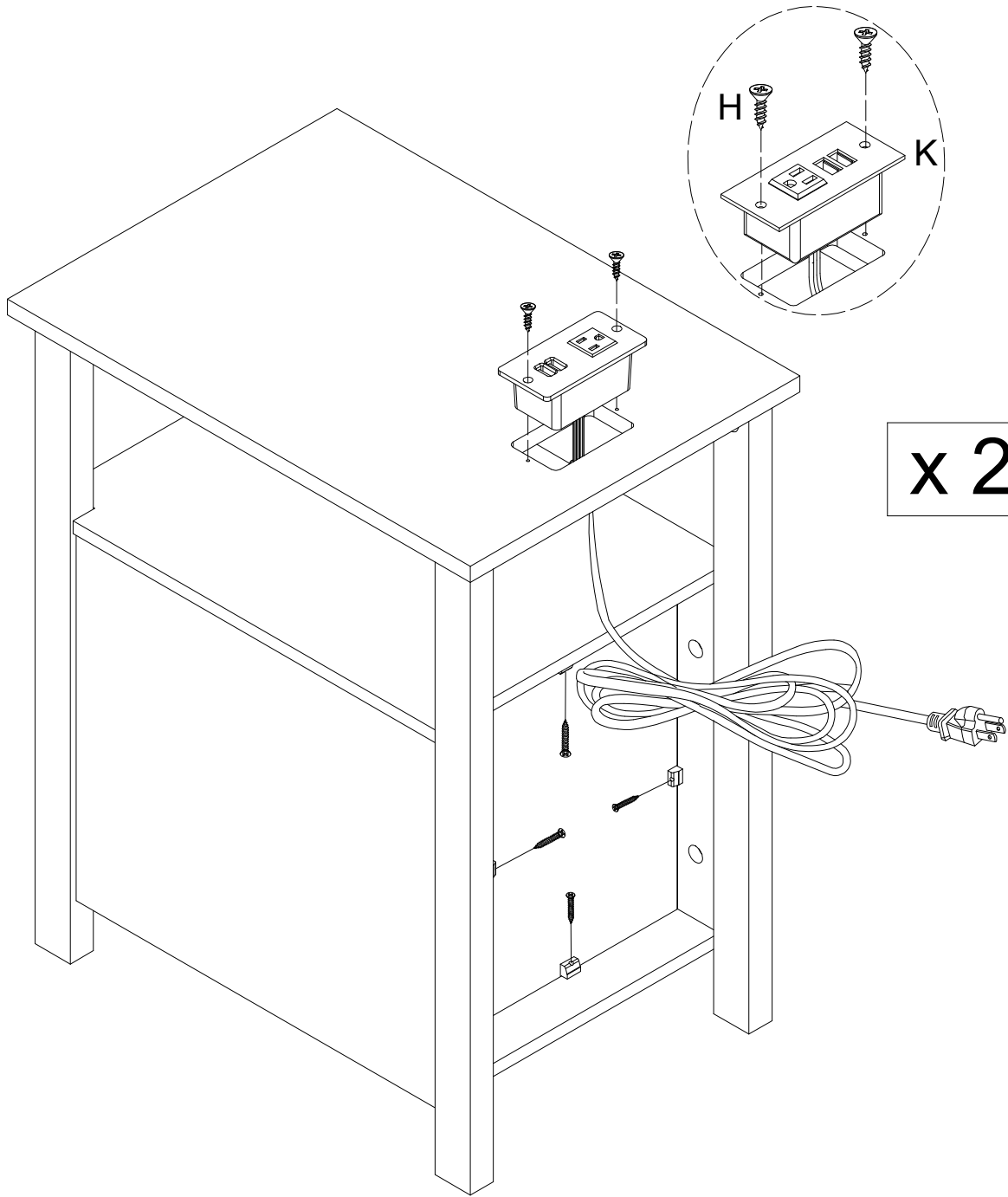
H
4 x



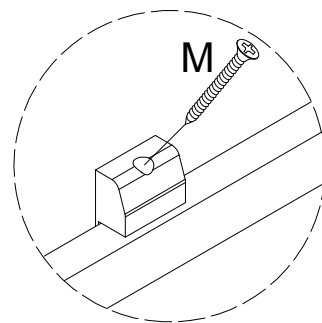
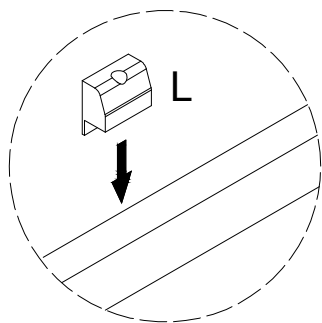
L
8 x



M
8 x



x 2



Care and Maintenance

- Use a soft, clean cloth that will not scratch the surface when dusting.
- Use of furniture polish is not necessary. Should you choose to use polish, test first in an inconspicuous area.
- Using solvents of any kind on your furniture may damage the finish.
- Never use water to clean your furniture as it may cause damage to the finish.
- Always use coasters under beverage glasses and flowerpots.
- Liquid spills should be removed immediately. Using a soft, clean cloth, blot the spill gently. Avoid rubbing.
- Always use protective pads under hot dishes and plates. Heat can cause chemical changes that may create spotting within the furniture finish.
- Stains or marks from crayons or ink markers will be difficult to remove.
- In the event that your furniture is stained or otherwise damaged during use, we recommend that you call a professional to repair your furniture.
- Check bolts/screws and nuts periodically and tighten them if necessary.

Caring for Wood Furniture

It is best to keep your furniture in a climate-controlled environment. Extreme temperature and humidity changes can cause fading, warping, shrinking and splitting of wood. It is advised to keep furniture away from direct sunlight as sun may damage the finish.

Proper care and cleaning at home will extend the life of your purchase. Following these important and helpful tips will enhance your furniture as it ages.

Cleaning the Fireplace Trim

Clean the metal trim using a soft cloth, slightly dampened with citrus oil based product and buff with a clean soft cloth. DO NOT use brass polish or household cleaners as these products will damage the metal trim. Citrus oil based products can be obtained at supermarkets or hardware stores.