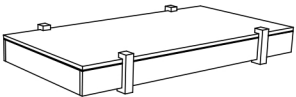
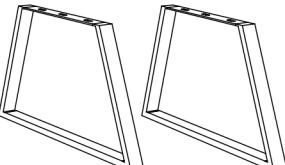



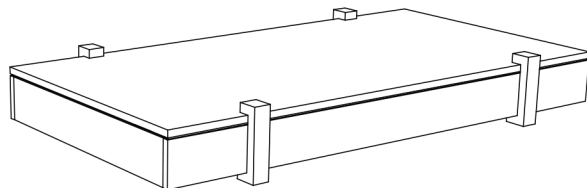


ASSEMBLY INSTRUCTION SHEET FOR COFFEE TABLE

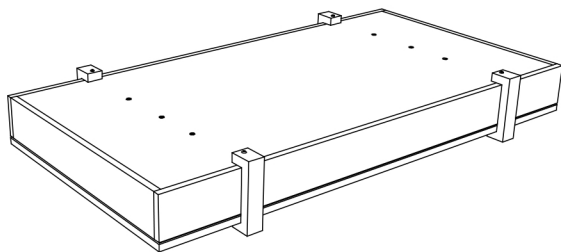
Size : 46"X23-1/2" X18-1/2"

S.N.	PART LIST	QTY.
1	TOP 	1 PC
2		2 PC
S.N.	HARDWARE LIST	QTY.
A	 METAL WASHER (1/4" X 1")	6PC
B	 ALLEN BOLT (1/4" X 3/4")	6PC
C	 ALLEN KEY	1 PC



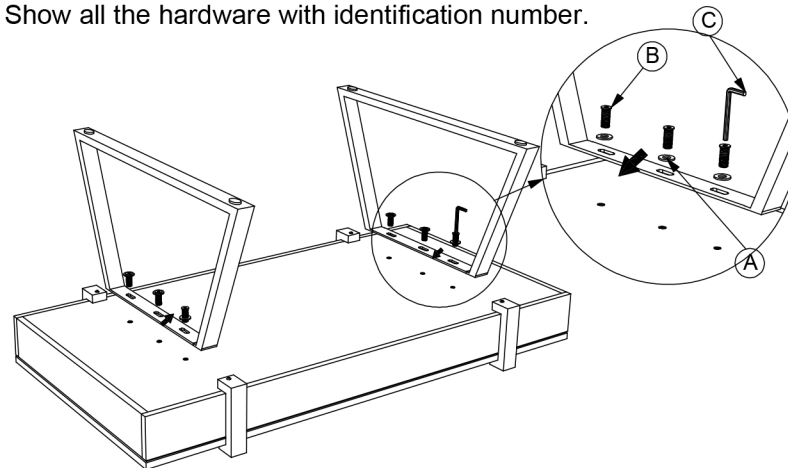
STEP -1

Turn the table top upside down on a clean, dry surface to prevent damage to the top.



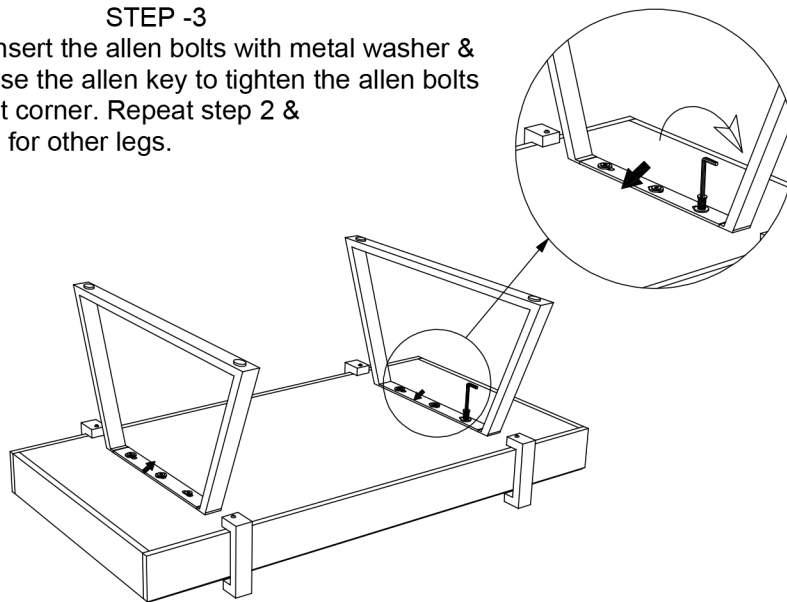
STEP - 2

Coordinate both the legs to the bottom part of the item. Align the holes on legs with holes on bottom part of the item. Both the arrow marks (➔ ➜) on the legs must be inside. Show all the hardware with identification number.



STEP -3

Insert the allen bolts with metal washer & use the allen key to tighten the allen bolts at corner. Repeat step 2 & 3 for other legs.



STEP - 4

Assembly completed now your coffee table is ready to use.

