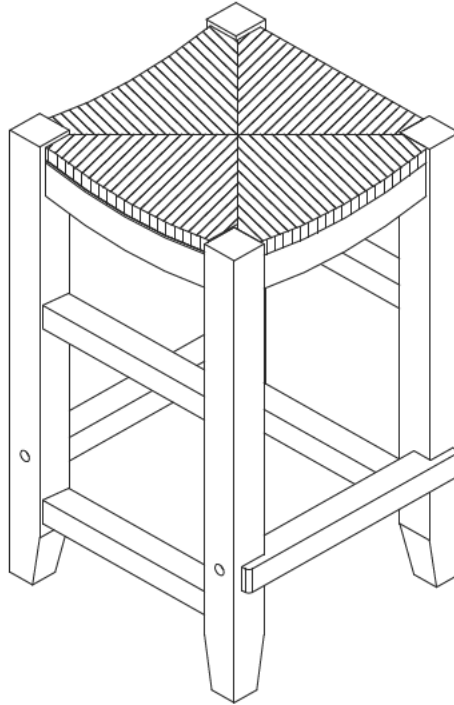


ASSEMBLY INSTRUCTIONS


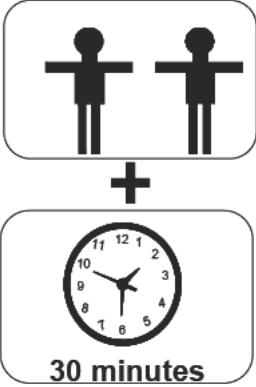
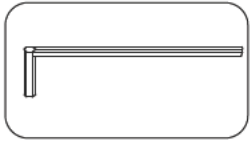
26" & 30" HIGH STOOL W/RUSH SEAT



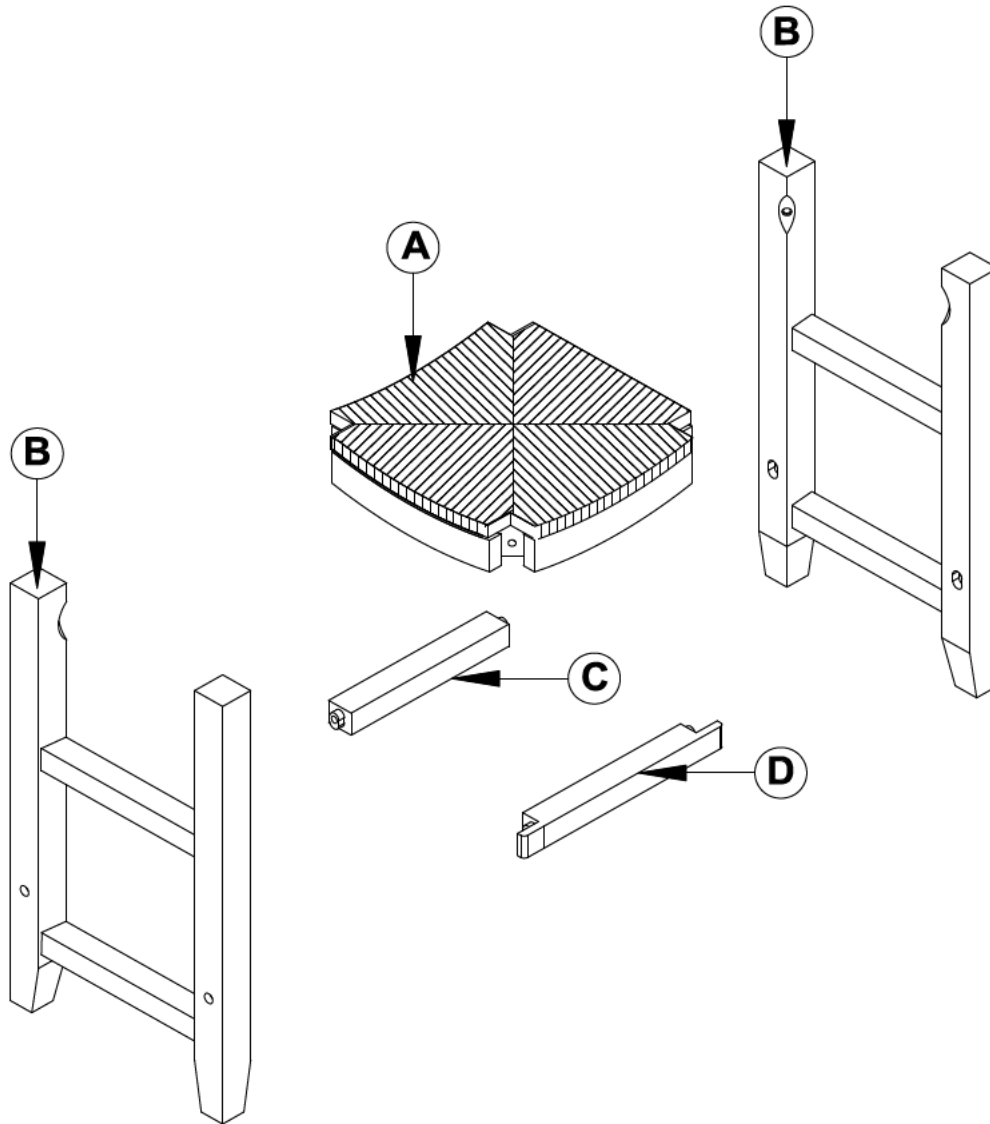
REPLACEMENT PARTS

Please do not contact the company purchased from as we can help you faster.

Order replacement parts and hardware at "boltonfurniture.com"


 <p>. Use of power tool to assemble this product will invalidate any claim and damage this product making it unsafe!!! . Please assemble on a clean soft surface to avoid damage.</p>	 <p>30 minutes</p>	<p><u>Tool Included</u></p> 
--	---	---


Part List-26"&30" High Stool W/Rush Seat




Identifying the hardware-Identify the hardware using the illustrations below.

E  **04**
M6X45mm

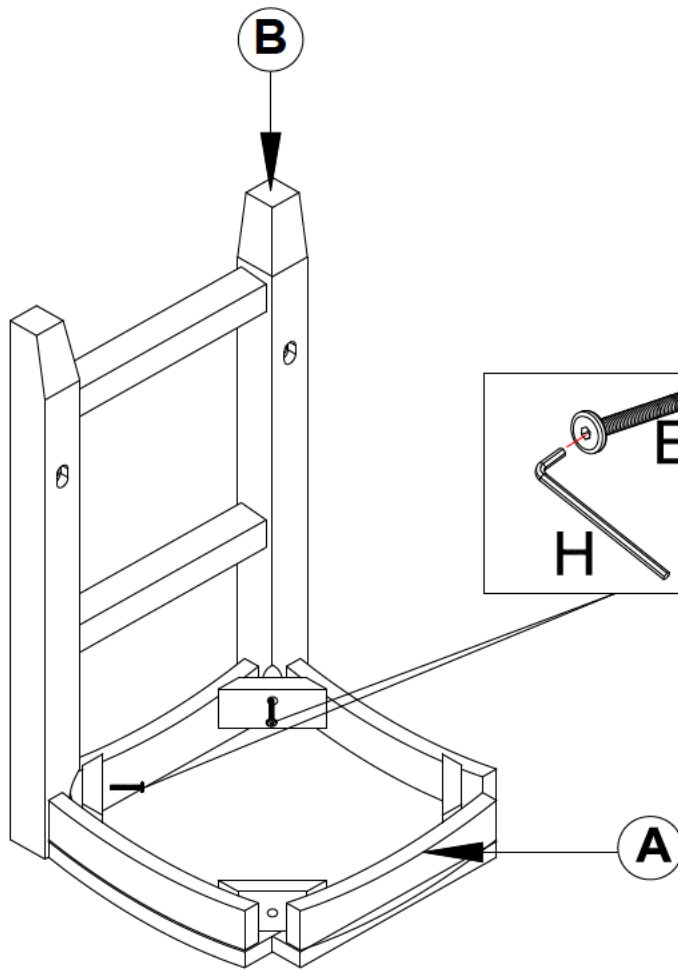
F  **04**
M6X100mm

G  **04**


H  **01**

I  **01**
Glue

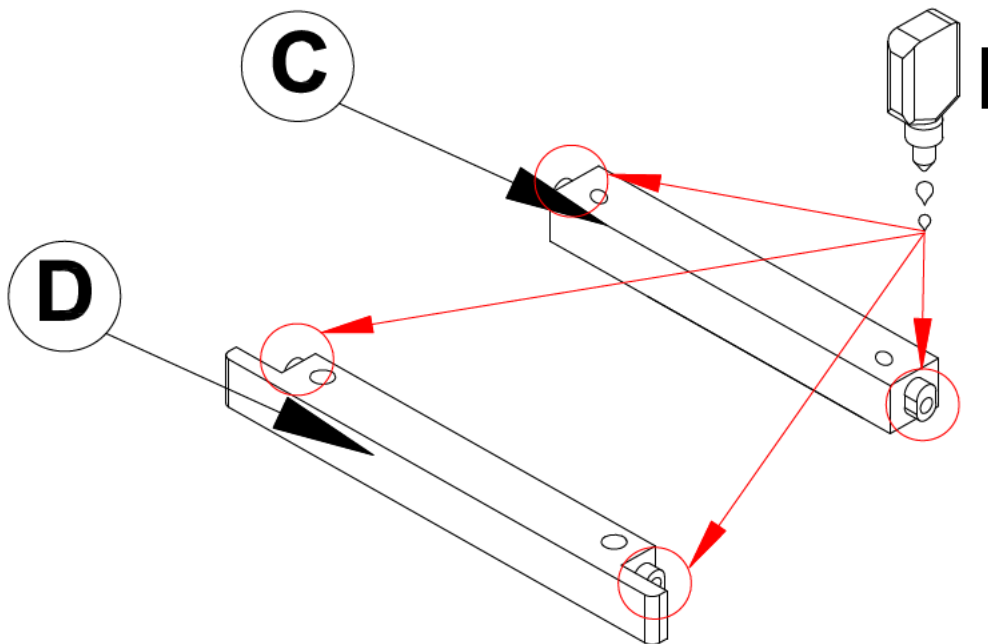
STEP 1



E  02
M6X45mm

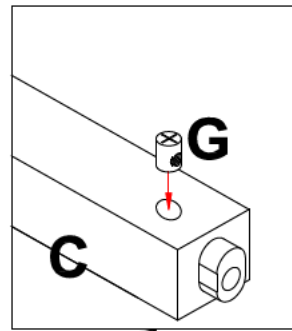
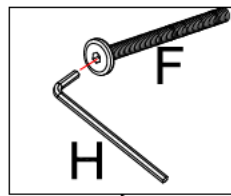
H  01

STEP 2




I  01
Glue

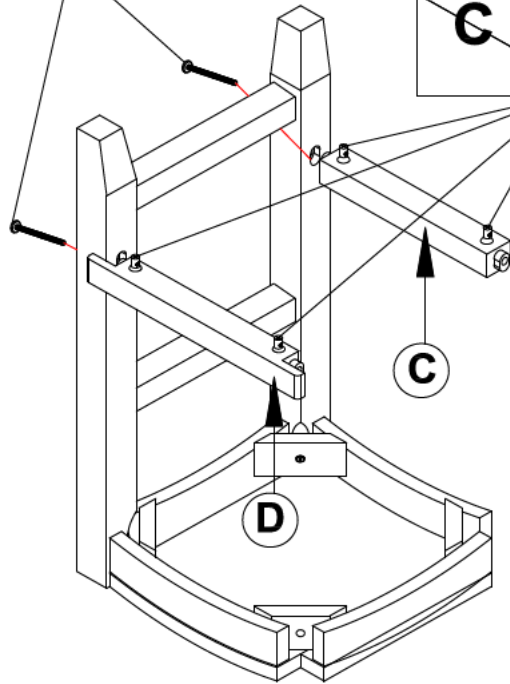
STEP 3



F  02
M6X100mm

G  04


H  01



STEP 4

E  02
M6X45mm

F  02
M6X100mm

H  01

