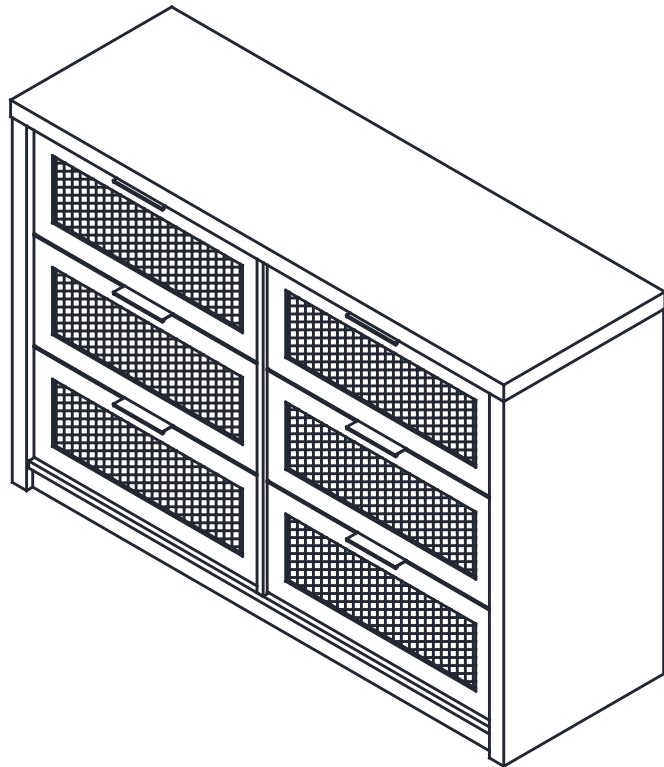
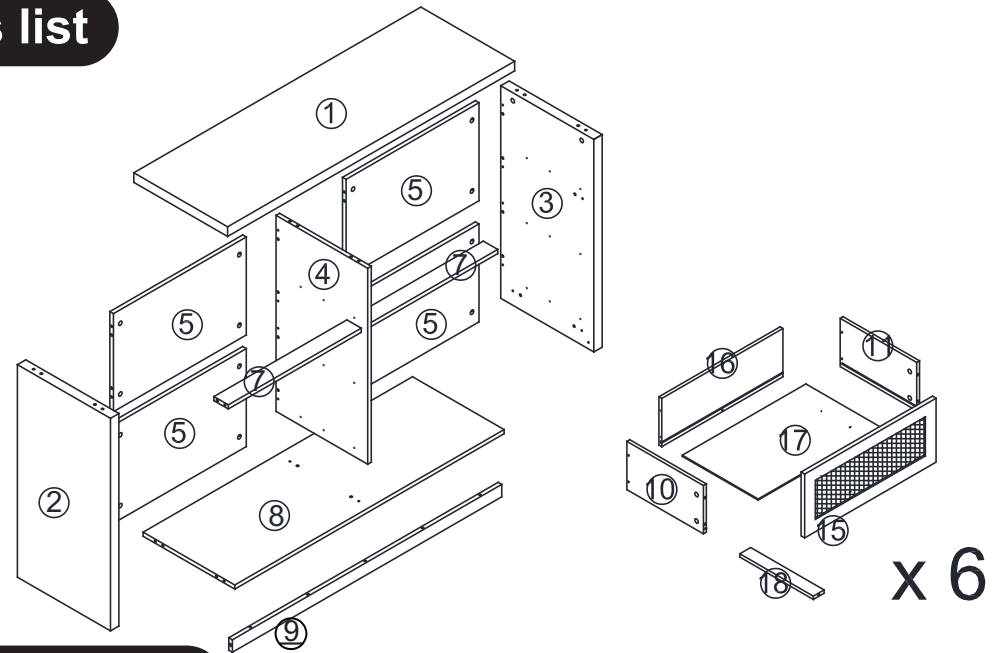


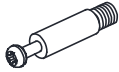





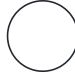
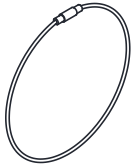




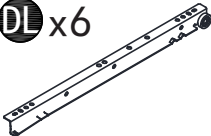
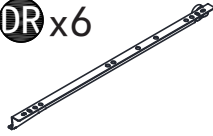


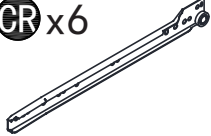
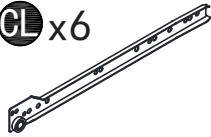
Installation & Assembly



Parts list



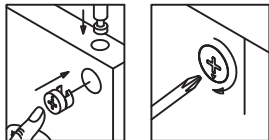
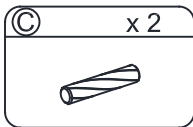
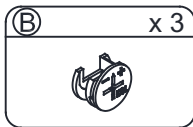
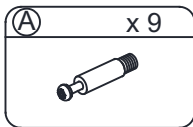
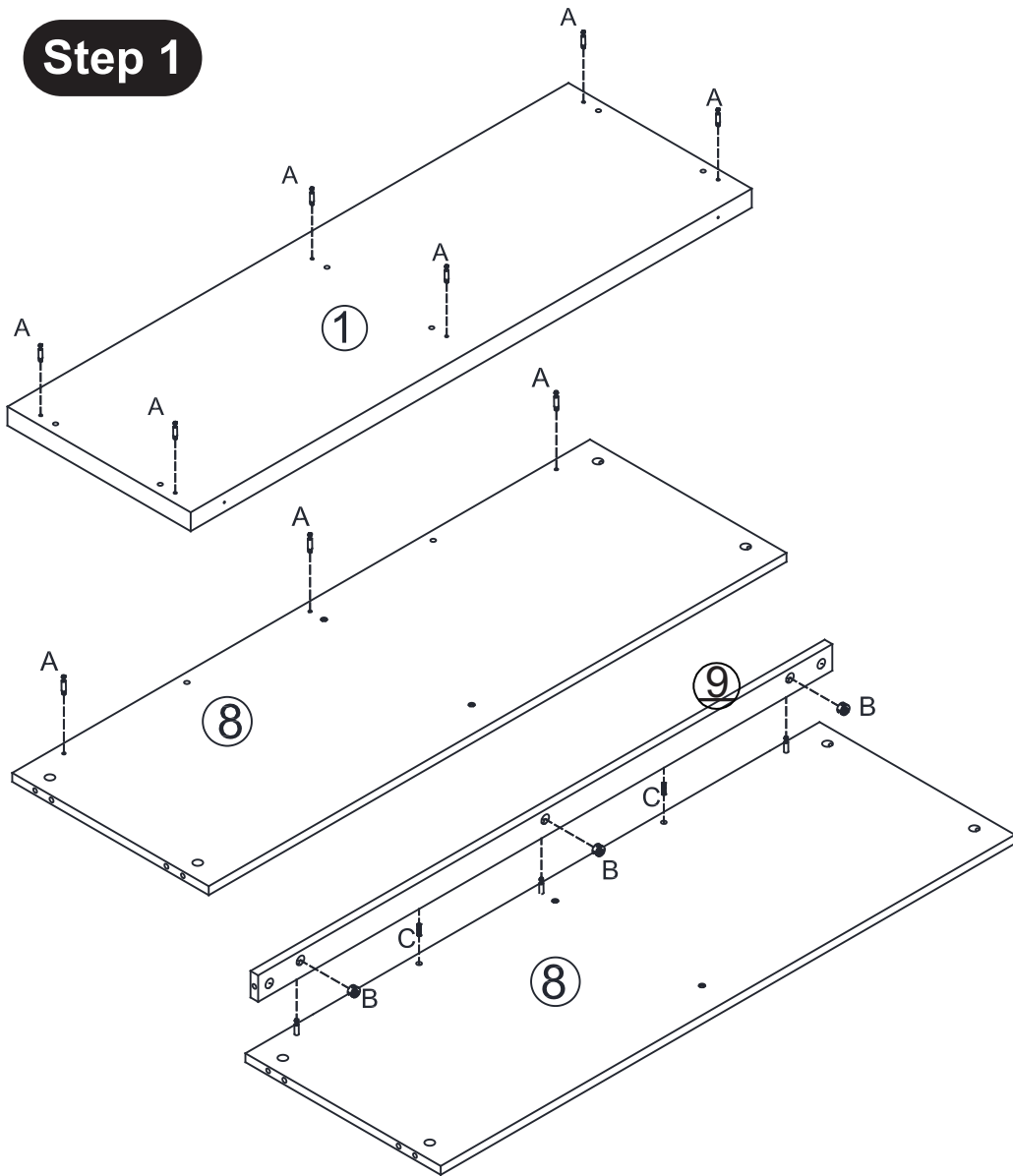
Hardware list

A x65 	B x65 	C x24 $\phi 8*30\text{MM}$ 	D x32 $\phi 4*35\text{MM}$ 	E x84 $\phi 3*12\text{MM}$ 
F x6 	G x65 	H x2    		I x5 $\phi 8*50\text{MM}$ 
DL x6 	DR x6 	 		CR x6 
GL x6 				

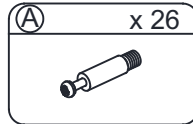
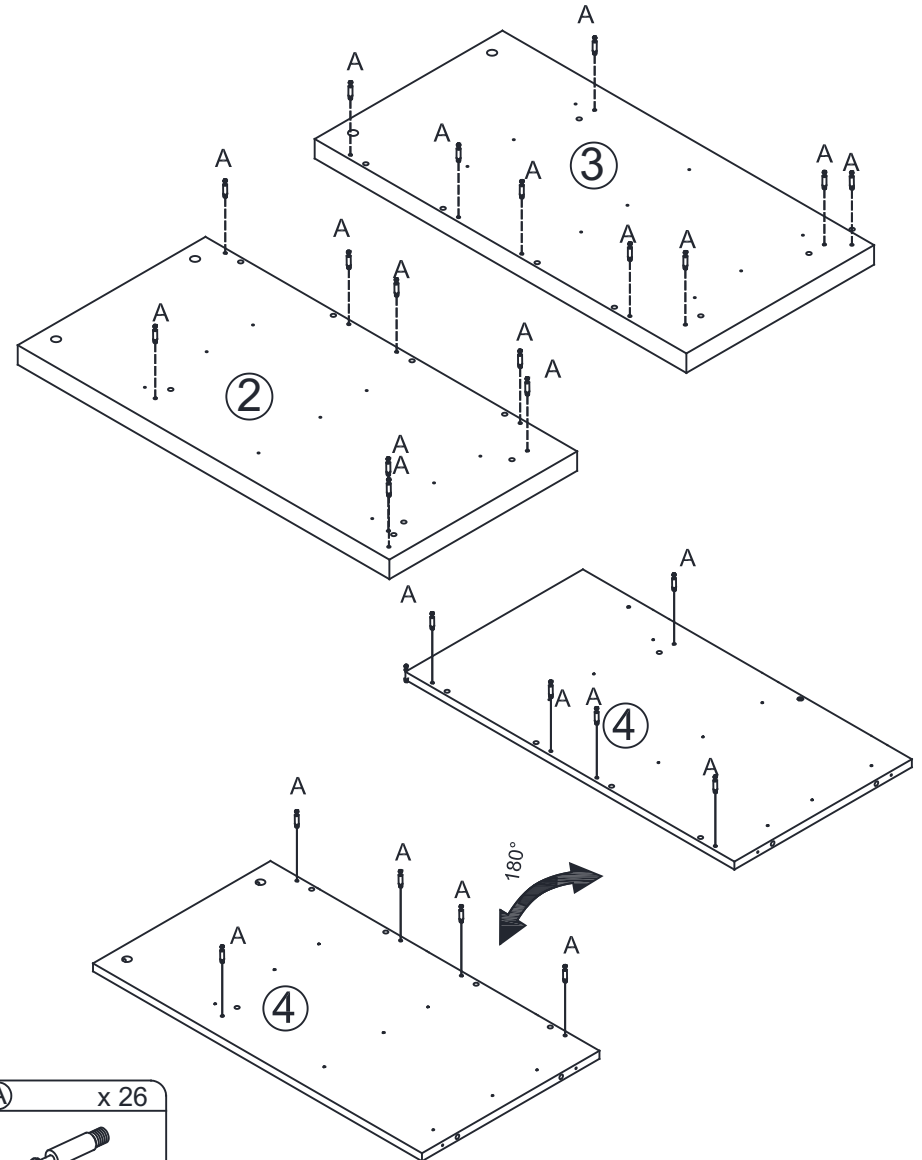
Your satisfaction is our priority!

If for any reason there is anything missing, incorrect, or different from your expectation

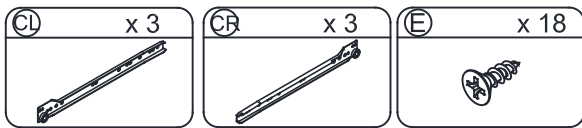
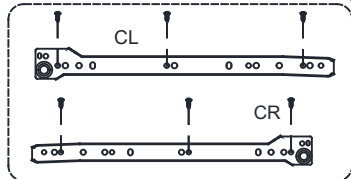
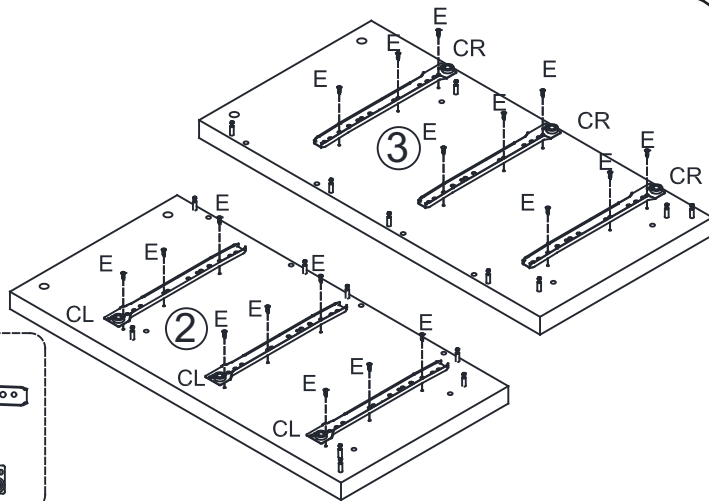
Step 1



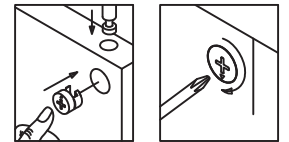
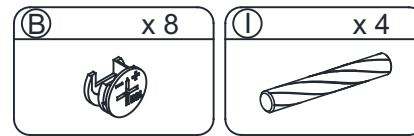
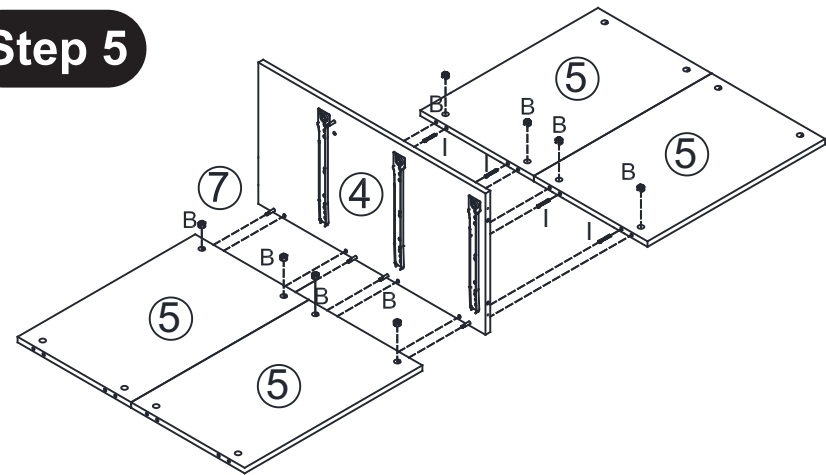
Step 2



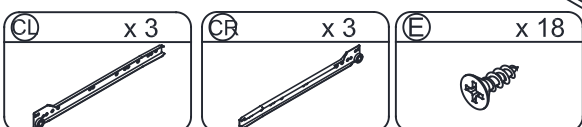
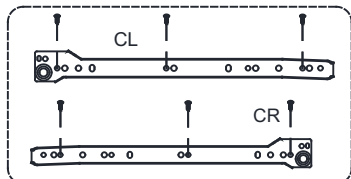
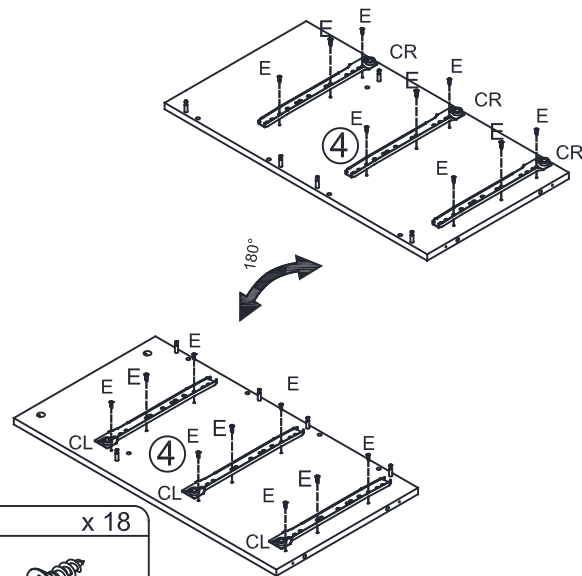
Step 3



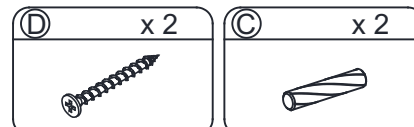
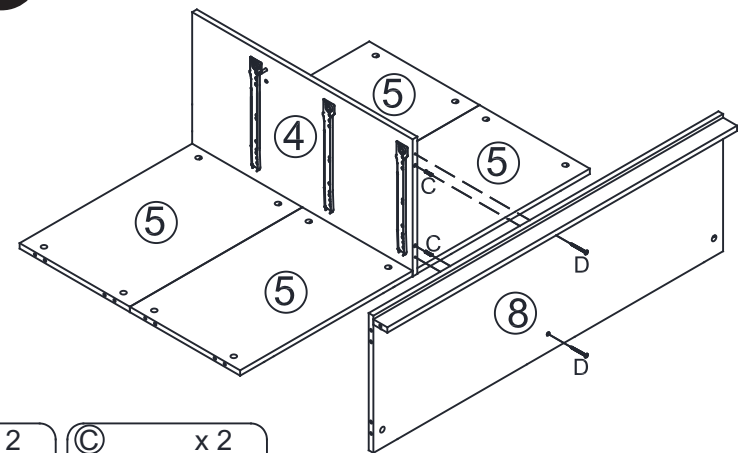
Step 5



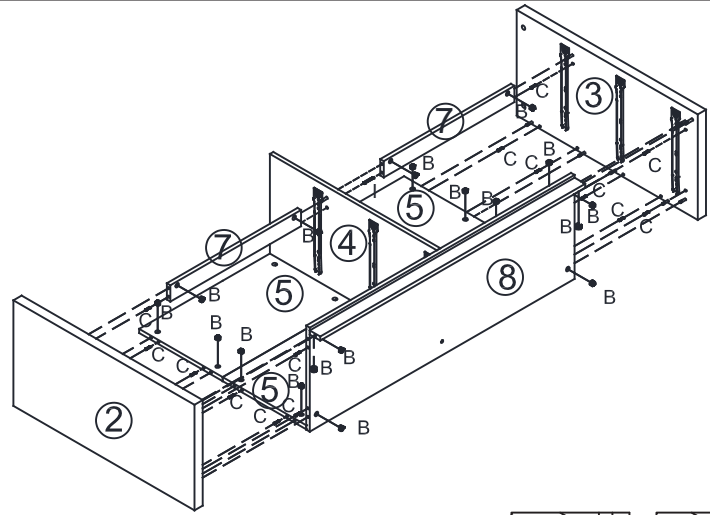
Step 4



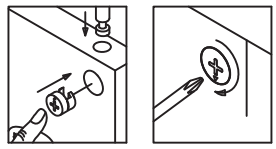
Step 6



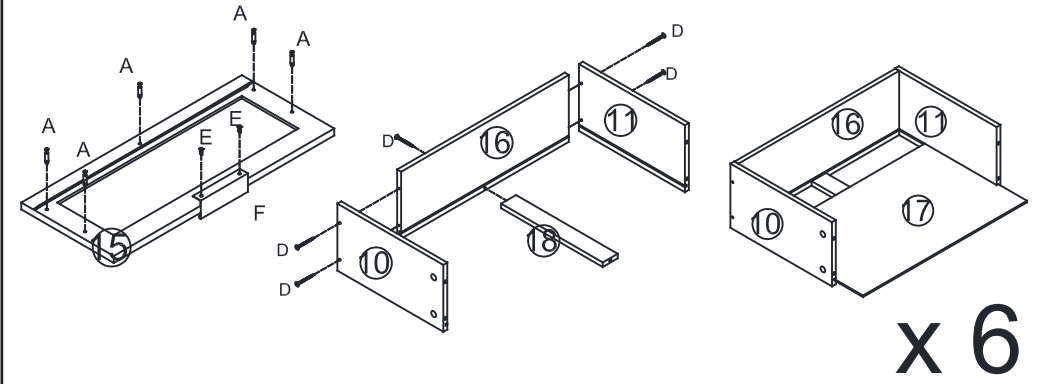
Step 7



- (B) x 18
- (C) x 14
- (1) x 1



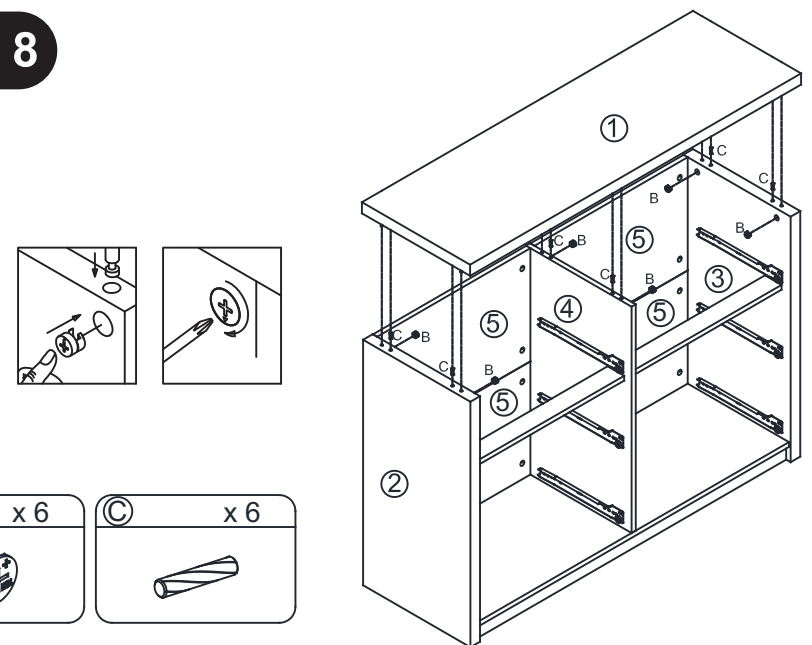
Step 9



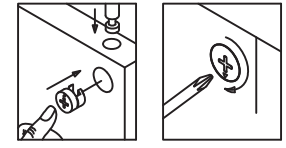
- (A) x 30
- (E) x 12
- (F) x 6
- (D) x 30

x 6

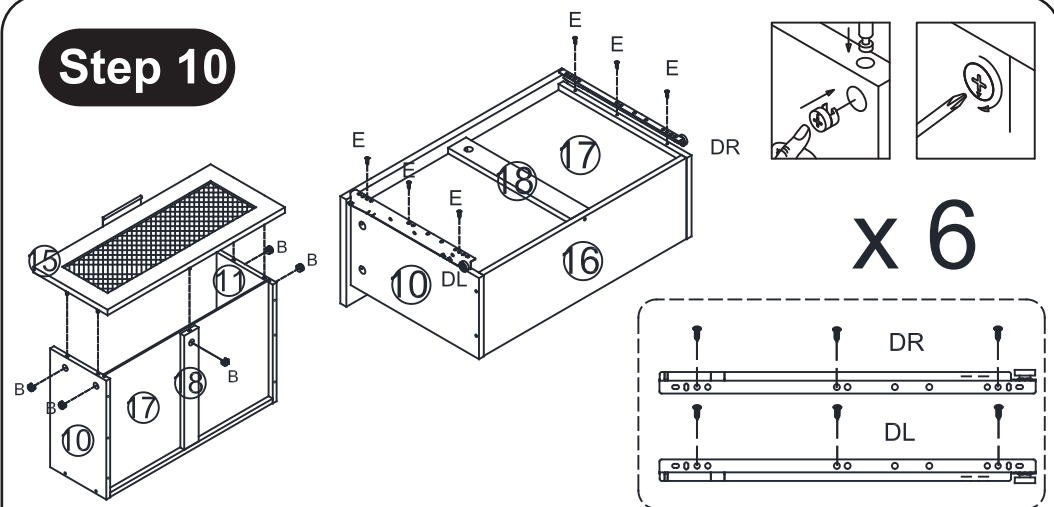
Step 8



- (B) x 6
- (C) x 6

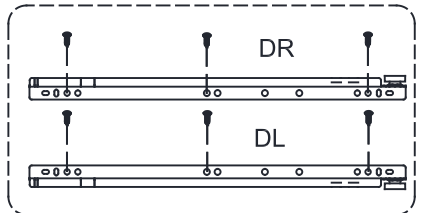


Step 10

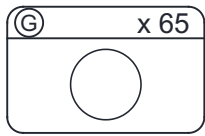
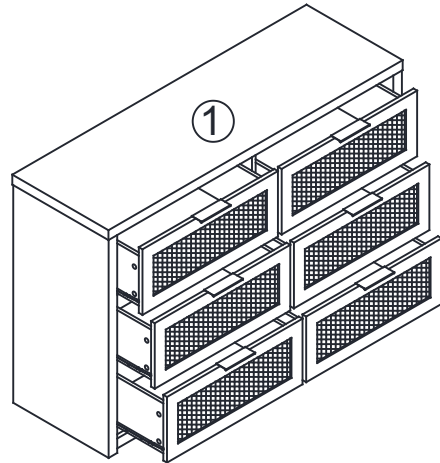
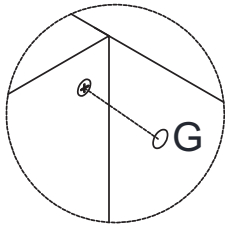


- (DR) x 6
- (DL) x 6
- (E) x 36
- (B) x 30

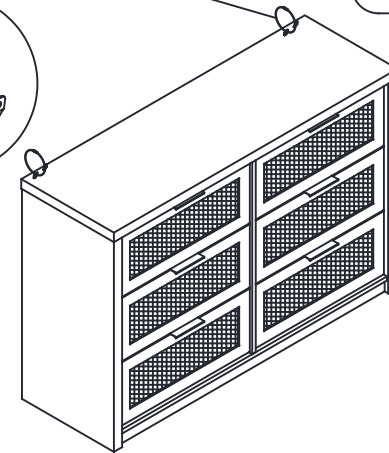
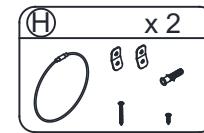
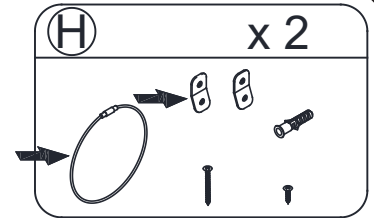
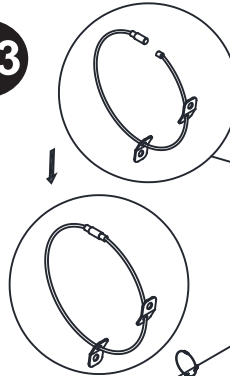
x 6



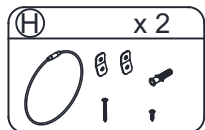
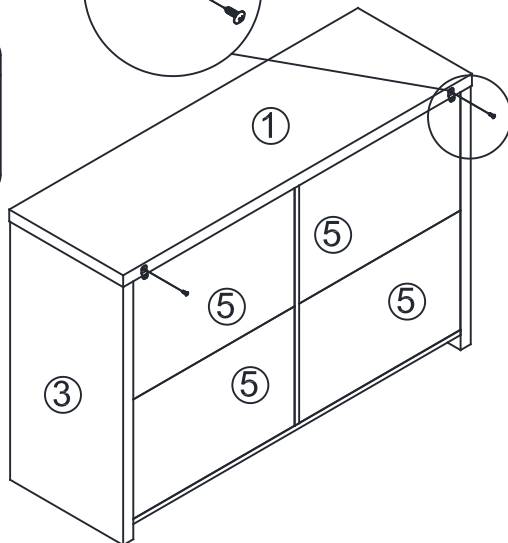
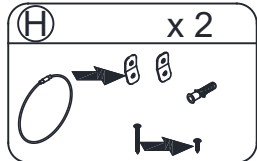
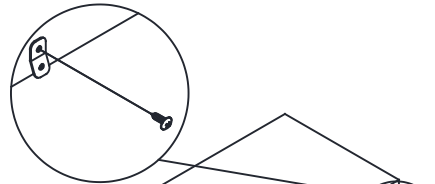
Step 11



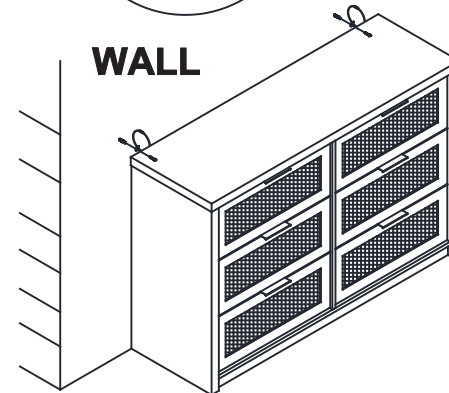
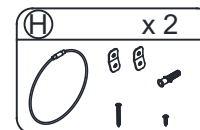
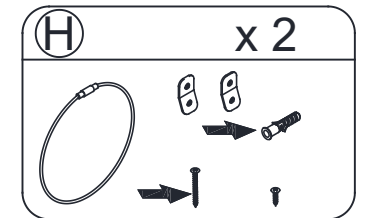
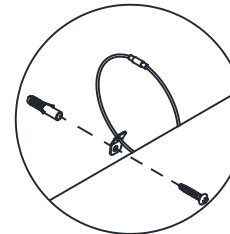
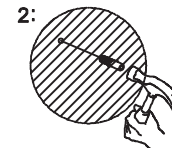
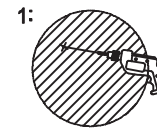
Step 13



Step 12



Step 14





WARNING



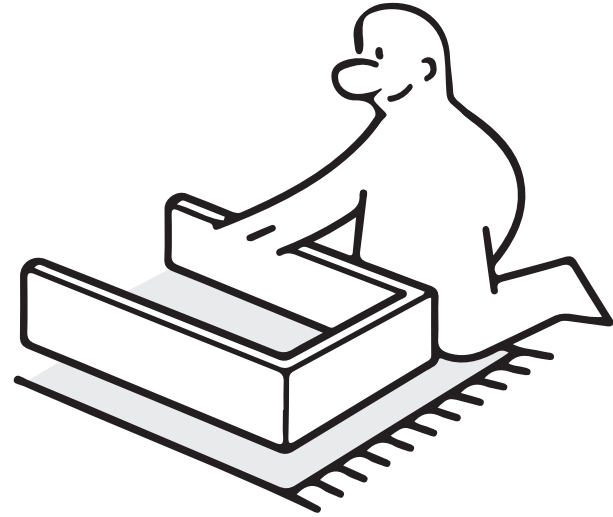
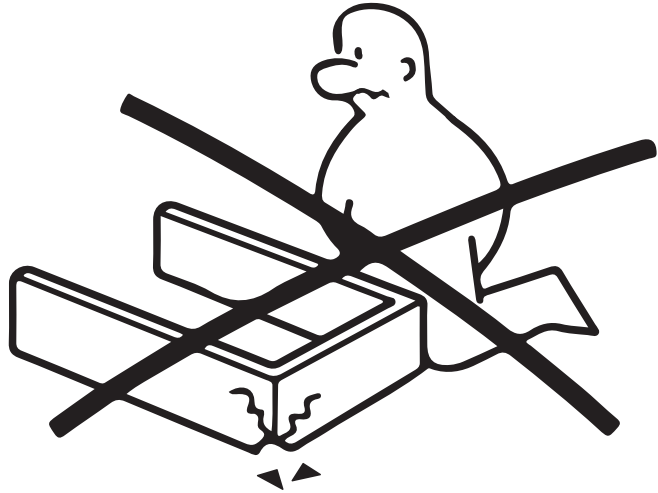
Children have died from furniture tipover. To reduce the risk of furniture tipover:

- **ALWAYS** install Anti-tip device provided.
- **NEVER** put a TV on this product.
- **NEVER** allow children to stand, climb or hang on drawers, doors, or shelves.
- **NEVER** open more than one drawer at a time.
- **Place** heaviest items in the lowest drawers.



*This is a permanent label.
Do not remove!*

※ **Stay Scratch-Free: Safeguard Your Furniture by Assembling on Carpet.**



※ **Stuck in Assembly Limbo? Contact Our Support Team for Quick Solutions!**

