

# ASSEMBLY INSTRUCTIONS

## IMPORTANT PLEASE READ BEFORE YOU CONTINUE FURTHER

### **ASSEMBLY PREPARATION**

1. Remove all packaging materials, staples, and packing straps from the carton.
2. Refer to the Parts List and Hardware List to ensure all parts and hardware are correct before starting assembly.
3. Place all wooden parts on a clean, flat, and soft surface (e.g., carpet or rug) to prevent scratches and damage.

### **SAFETY PRECAUTIONS**

1. KEEP ALL HARDWARE PARTS OUT OF REACH OF CHILDREN.
2. DISPOSE OF PLASTIC PACKAGING MATERIALS IMMEDIATELY TO AVOID ANY RISK OF SUFFOCATION TO CHILDREN AND ANIMALS.

### **TIPS FOR ASSEMBLY**

1. Ensure ample space for assembly and position the area close to where the product will be placed.
2. Assemble the product on a surface that will not scratch or damage the exterior gloss or finishing of the furniture.
3. Identify all parts, hardware, and quantities required for each step.
4. Avoid over-tightening any fittings during assembly, as this may cause damage.
5. Use hand tools only--DO NOT USE POWER TOOLS TO ASSEMBLE THIS PRODUCT.
6. Always assemble the product on a flat, level surface.
7. Assembly requires two or more people--do not attempt to assemble the product alone, as there is a risk of injury.
8. Do not sit or stand on the partially assembled product. Use the product only for its intended purpose.

### **CARE AND MAINTENANCE**

1. Clean with a soft, dry cloth. Avoid harsh chemicals or household cleaners, as they may damage the furniture's exterior finish.
2. Hardware may loosen over time. Regularly check all connections and re-tighten as needed.
3. Solid wood is sensitive to heat and humidity fluctuations, which can cause small joint separations or hairline cracks. To protect the furniture, keep it away from direct sunlight, air conditioning vents, heating vents, or units.
4. This product is intended for indoor and household use only, and is not suitable for commercial use.

### **WARNING:**

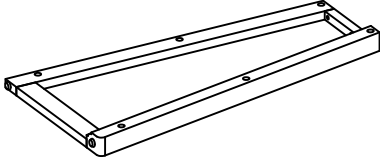
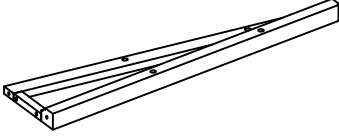
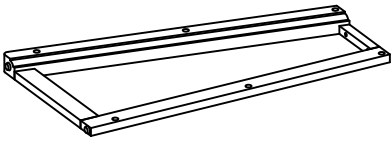
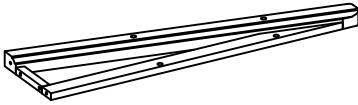
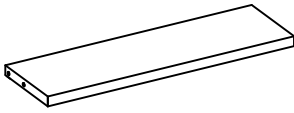
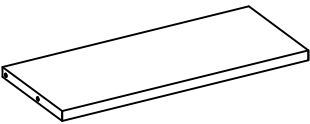
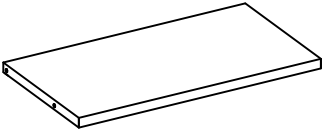
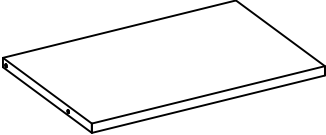
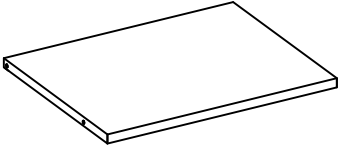
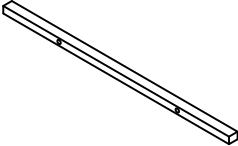
1. Ensure that the anti-tip strap or brackets are used to fix the furniture to the wall at the end of the assembly process.
2. To prevent serious injury or death from furniture tipping over, it is critical that you securely attach the anti-tip straps or brackets provided to your wall using the appropriate wall fixings. Children have died from toppling furniture.

### **IMPORTANT:**

1. **DO NOT** place toys or other objects that might attract children on top of this furniture.
2. **DO NOT ALLOW** children to climb on drawers, shelves, or any part of this furniture.
3. **PROPER WEIGHT DISTRIBUTION:** Place heavier items in lower drawers or on lower shelves.








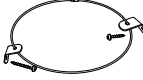
**Please make sure you have all these parts before you start.**

**PART LIST**

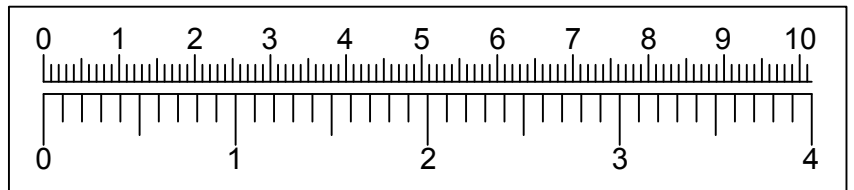
<p>Ⓐ x 1pc</p> 	<p>Ⓑ x 1pc</p> 
<p>Ⓒ x 1pc</p> 	<p>Ⓓ x 1pc</p> 
<p>Ⓔ x 1pc</p> 	<p>Ⓕ x 1pc</p> 
<p>Ⓖ x 1pc</p> 	<p>Ⓗ x 1pc</p> 
<p>Ⓘ x 1pc</p> 	<p>Ⓙ x 3pcs</p> 

**Please make sure you have all these parts before you start.**




**HARDWARE LIST**

<p>①x (32pcs +1)</p>  <p>JCBC BOLT 1/4" x 50mm</p>	<p>②x (4pcs +1)</p>  <p>JCBC BOLT 1/4" x 45mm</p>	<p>③x (36pcs +1)</p>  <p>SPRING WASHER M6</p>
<p>④x (36pcs +1)</p>  <p>FLAT WASHER M6 x 13mm</p>	<p>⑤x (4pcs +1)</p>  <p>DOWEL M8 x 30mm</p>	<p>⑥x (20pcs +1)</p>  <p>WOOD BUTTON 14.5mm</p>
<p>⑦x 1pc</p>  <p>ALLEN KEY M4 (BALL SHAPE)</p>	<p>⑧x 1Set</p>  <p>ANTI TIP KITS</p>	

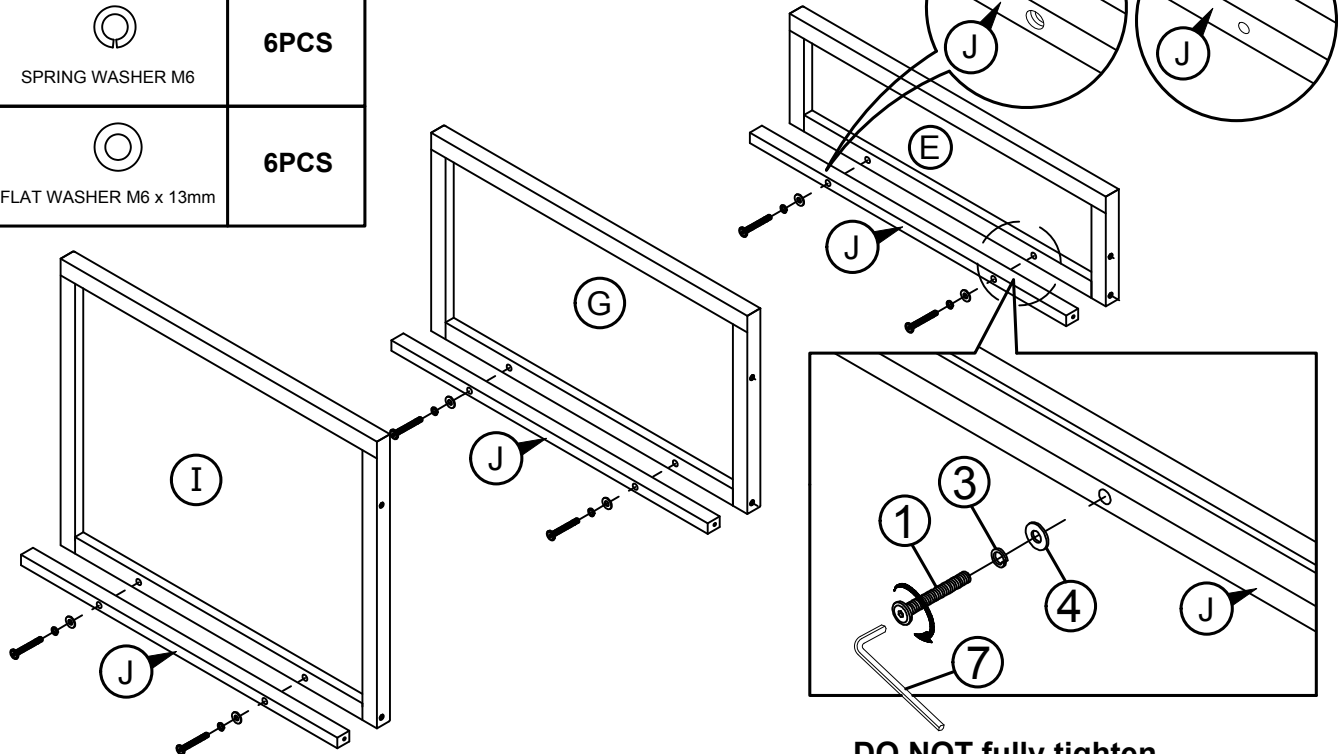
(Extra Hardware for spare use)



## STEP 1





1		6PCS
3		6PCS
4		6PCS

Check that the big hole at the Shelf Bottom Rail (J) is facing out when attaching to Shelf (E & G & I) as shown below.

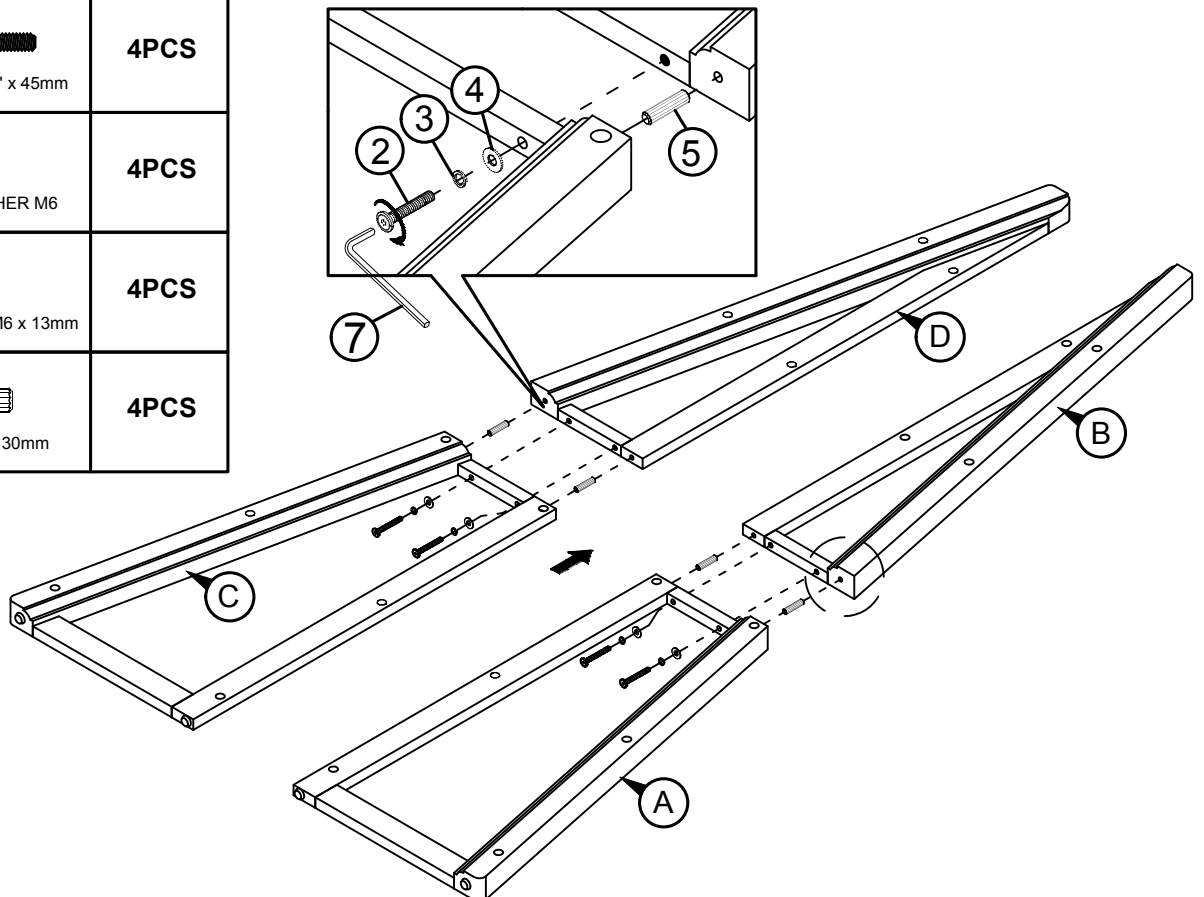


**DO NOT** fully tighten bolts (leave slightly loose).




## STEP 2

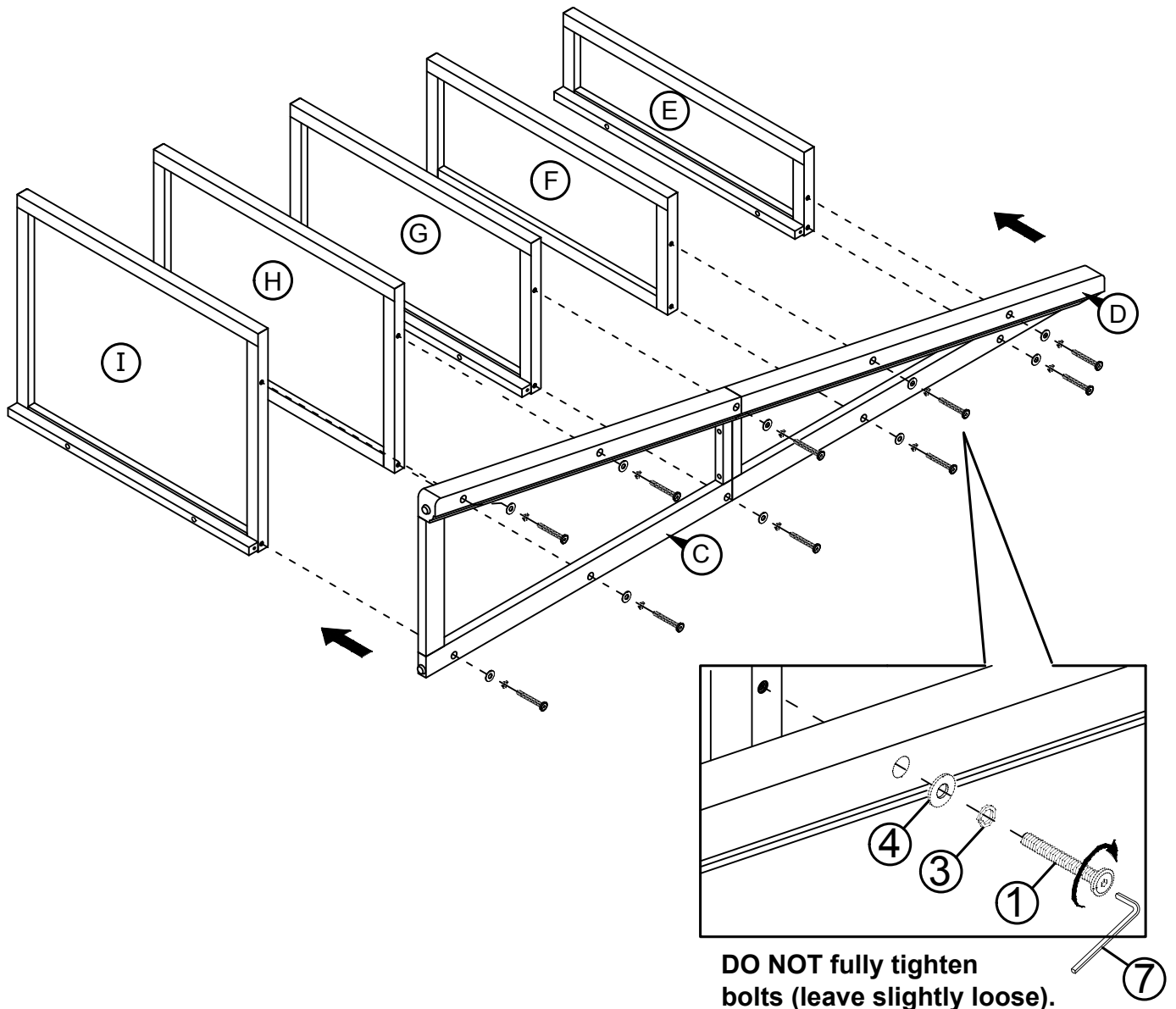
2		4PCS
3		4PCS
4		4PCS
5		4PCS

**DO NOT** fully tighten bolts (leave slightly loose).






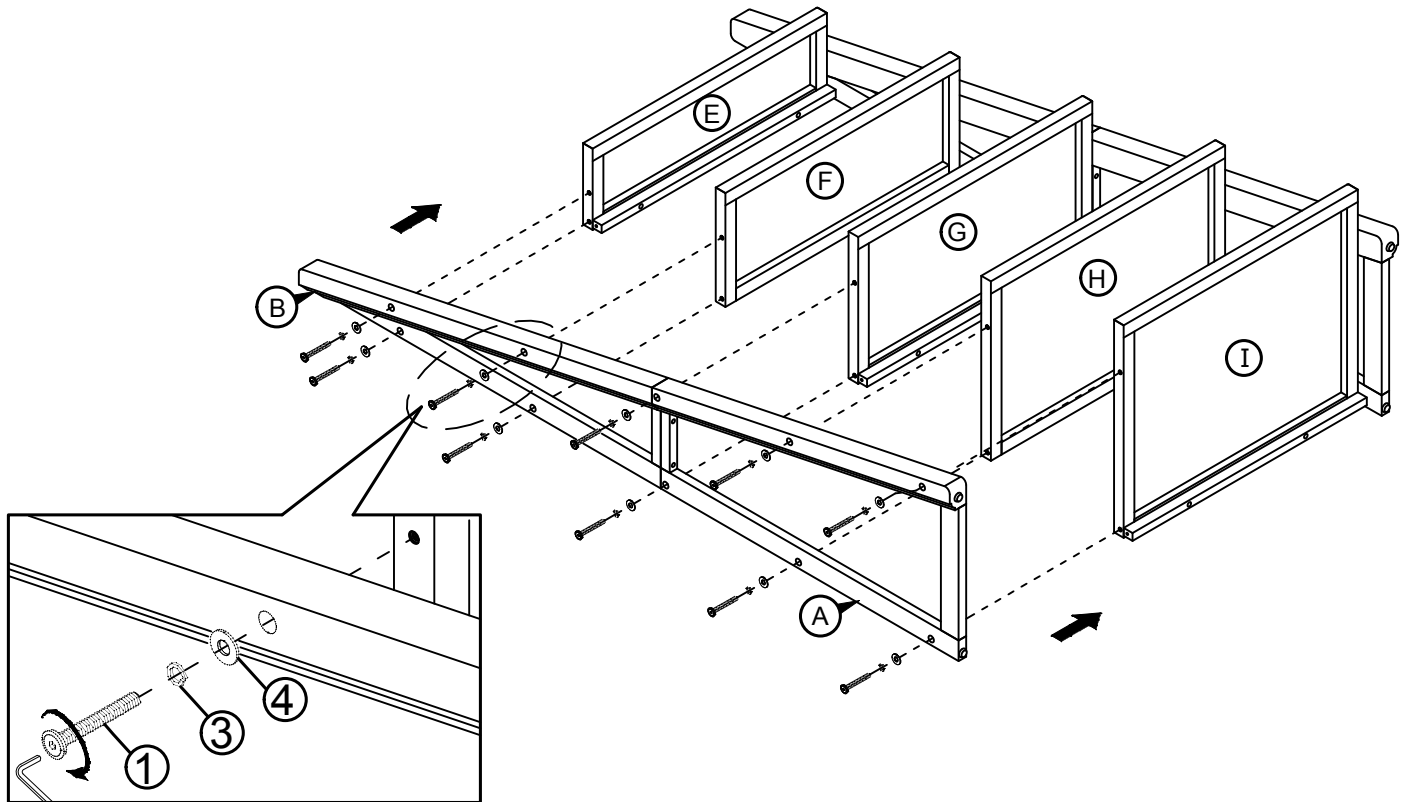
### STEP 3

1	 JCBC BOLT 1/4" x 50mm	10PCS
3	 SPRING WASHER M6	10PCS
4	 FLAT WASHER M6 x 13mm	10PCS



## STEP 4




1	 JCBC BOLT 1/4" x 50mm	10PCS
3	 SPRING WASHER M6	10PCS
4	 FLAT WASHER M6 x 13mm	10PCS



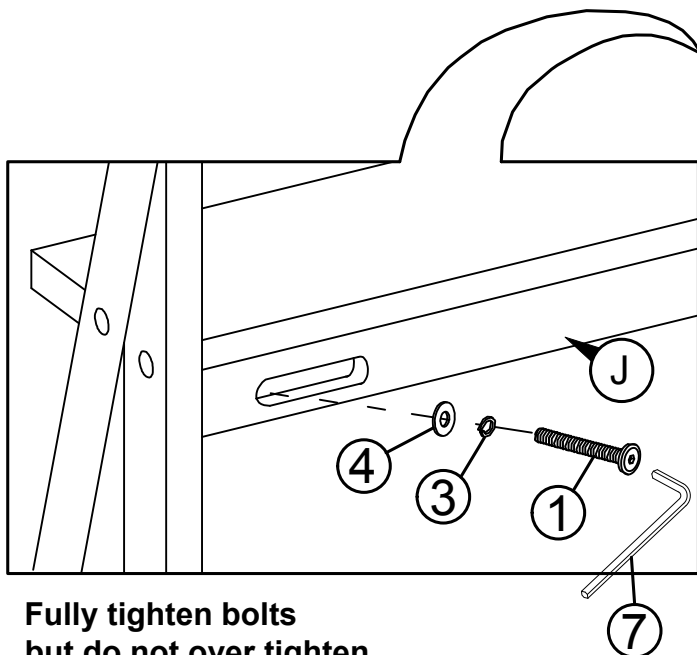
7

**DO NOT** fully tighten bolts (leave slightly loose).

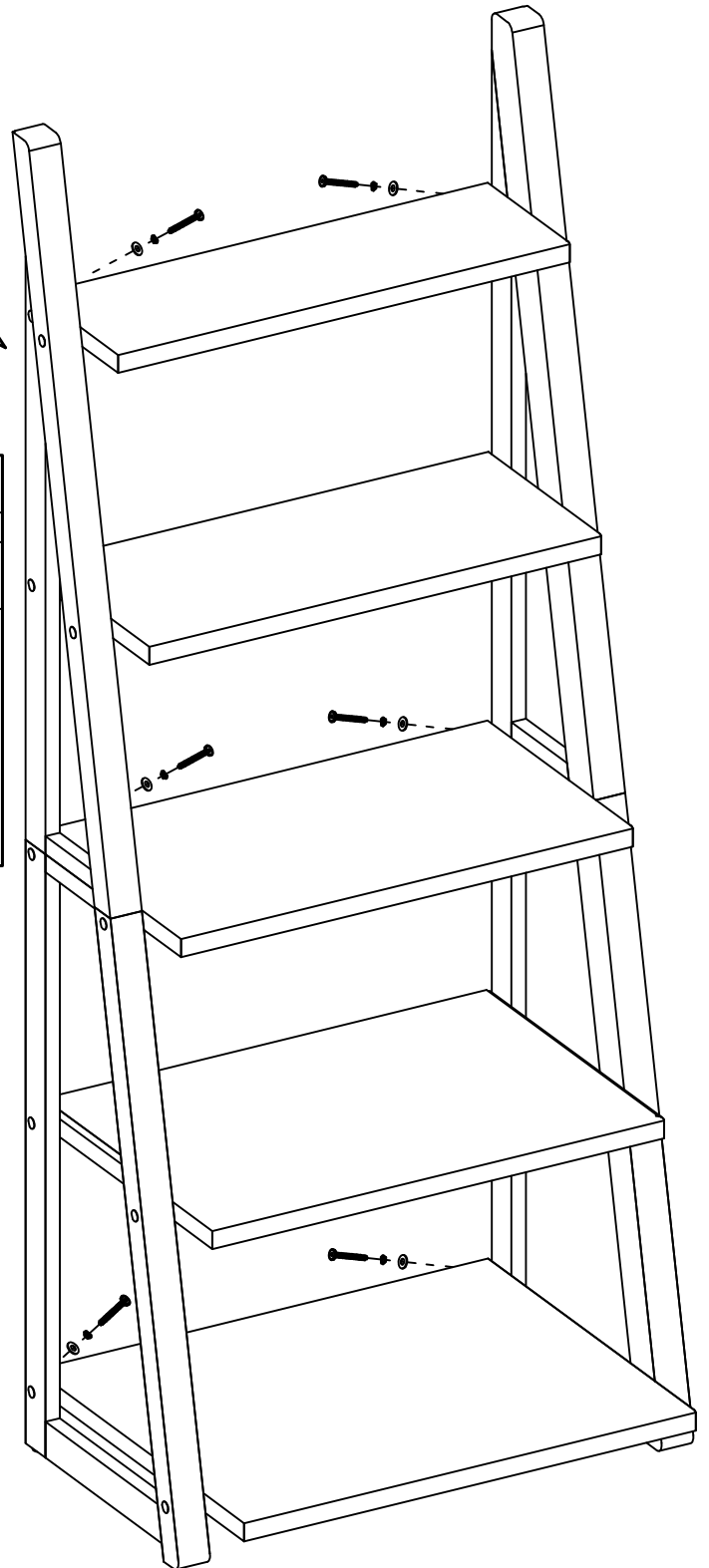
## STEP 5

1	 JCBC BOLT 1/4" x 50mm	6PCS
3	 SPRING WASHER M6	6PCS
4	 FLAT WASHER M6 x 13mm	6PCS


Fully tighten ALL the bolts from Step 1 to Step 4, but do not over-tighten.

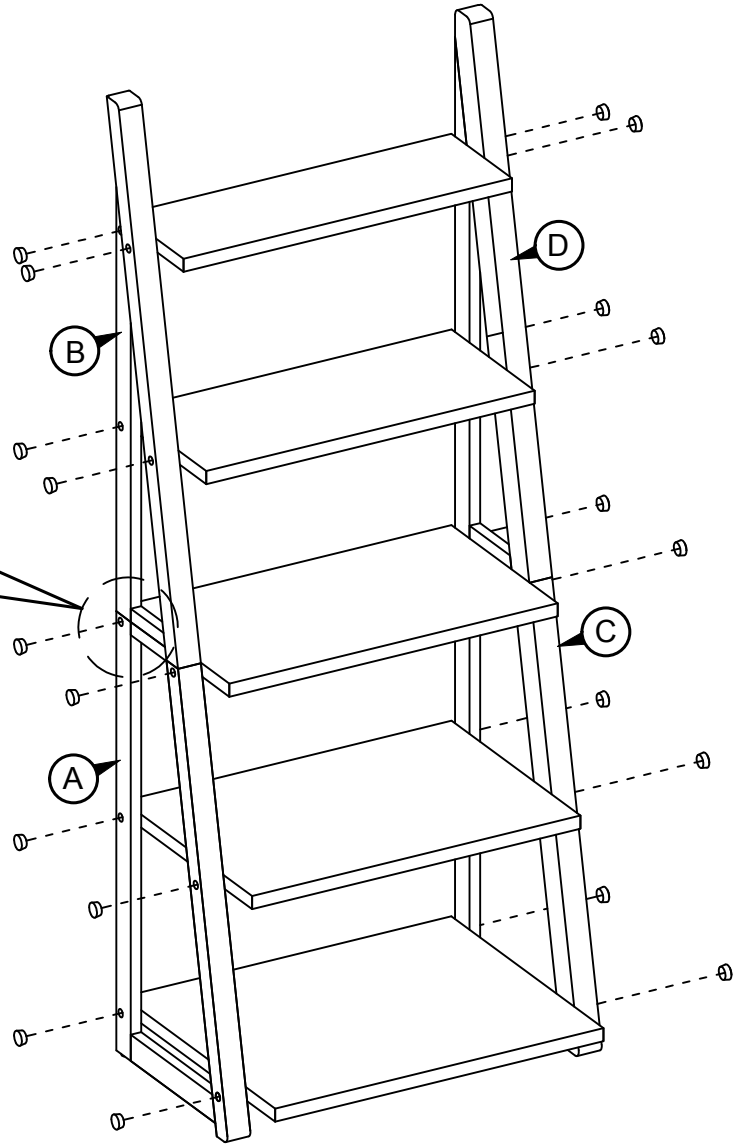
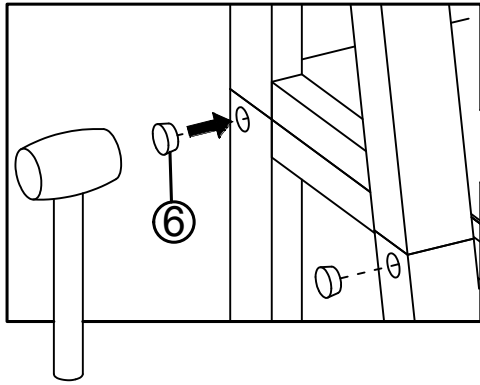


Fully tighten bolts but do not over tighten.

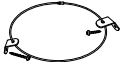


# STEP 6

6	 WOOD BUTTON 14.5mm	20PCS
---	---	-------



# STEP 7

8	 ANTI TIP KITS	1SET
---	--	------

