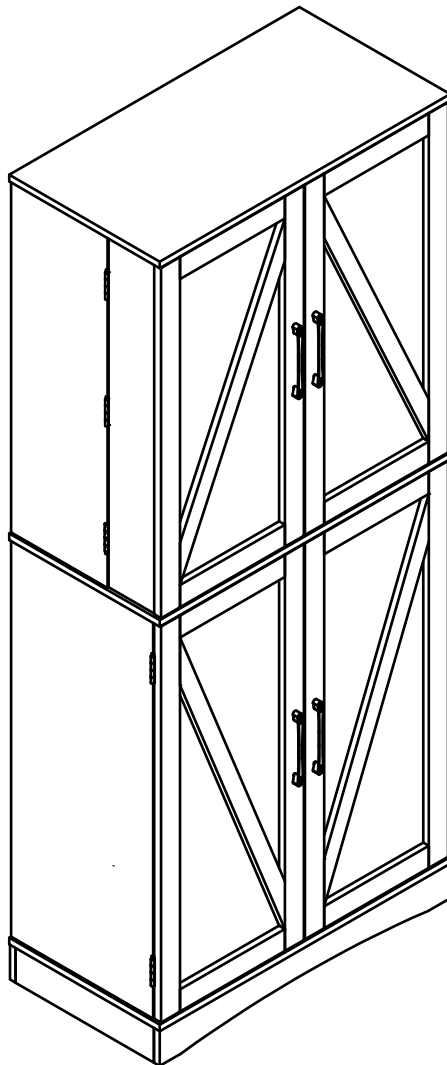


INSTRUCTION MANUAL

Pantry HKKP002-WH



 wolfthontech@gmail.com

Please choose SMS or email as your first choice for communicating with us.

WELCOME TO THE CABINET OF HOME STORAGE ORGANIZATION!

Thank you for choosing our new cabinet and sideboard! Our products are designed to be both stylish and functional, with a focus on multi-scenario applications and different functions.

We use high-quality materials to ensure that our pieces are built last, so you can enjoy them for years. Whether you're looking for a useful cabinet, we have something for everyone.

Our products are perfect for any home or office, and we're confident that you'll love them as much as we do!

Hey guys, congratulations on getting a nice sideboard cabinet. Thanks for supporting us. We look forward to you sharing your product experience with us! Thank you for your understanding and waiting, contact us Wolfthontechi@gmail.com at the first time if you have any questions!

NOTICE

- 1.Children are not allowed to operate
2. Faster installation is possible with power tools.
3. Do not pull the door vigorously to prevent the storage cabinet from tipping over.
- 4.Please attach the storage cabinet to the wall with an anti-tip device after installation is complete.
5. When using the storage cabinet for the first time,please keep it in a ventilated environment to allow the smell to fully evaporate.
- 6.When placing the partitions,please make sure the nails are firmly installed to prevent the partitions from falling off.
7. If any parts are missing,broken,damaged or worn,discontinue use of the product until repairs are made and/or factory replacement parts are installed.
8. Do not use this product in a manner inconsistent with the manufacturer's instructions as this may void the product warranty.
- 9.If accessories are missing, please contact customer service for communication in time, we provide 7x24 hours after-sales service.
- 10.Do not use any attachments or accessories other than the original factory attachments and accessories.
- 11.Do not alter this equipment. Any alteration will create a safety hazard.
- 12.Please do not seat on the board, warping preventing.
- 13.When moving cabinets, please apply force on the cabinet below. Try not to carry the top board alone as it is easy to deform.

BEFORE YOU START

- ⚠ Please read all instructions carefully.
- ⚠ Retain instructions for future reference.
- ⚠ Separate and count all parts and hardware.
- ⚠ Read through each step carefully and follow the proper order.
- ⚠ We recommend that, where possible, all items are assembled near to the area in which they will be placed in use, to avoid moving the product unnecessarily once assembled.
- ⚠ Always place the product on a flat, steady and stable surface.
- ⚠ Keep all small parts and packaging materials for this product away from babies and children as they potentially pose a serious choking hazard.

PRE-INSTALLATION

GRAB YOUR TOOLS



Phillips Screwdriver

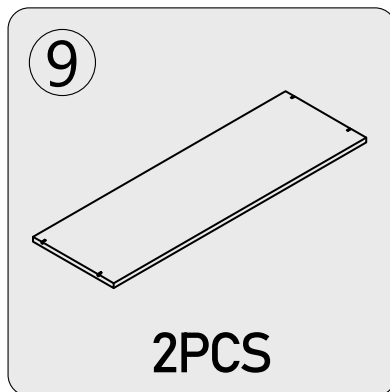
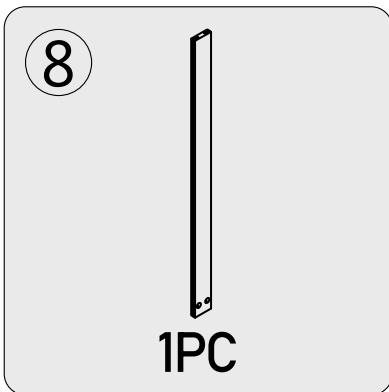
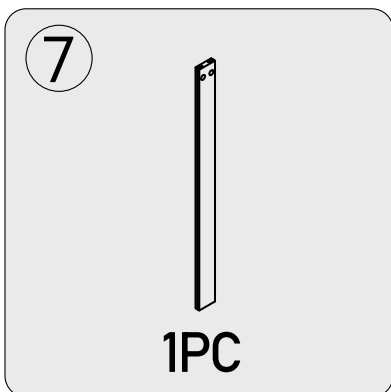
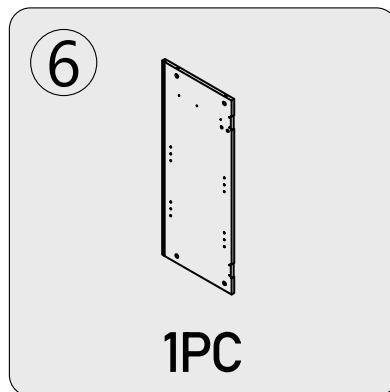
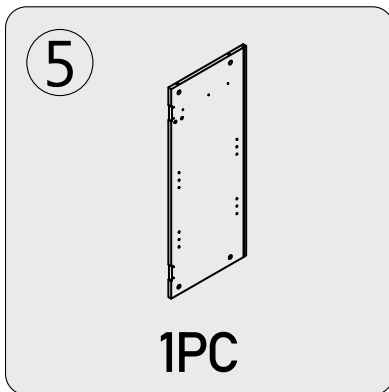
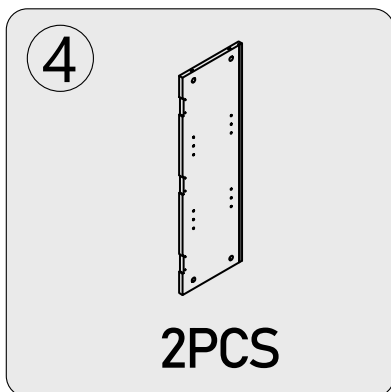
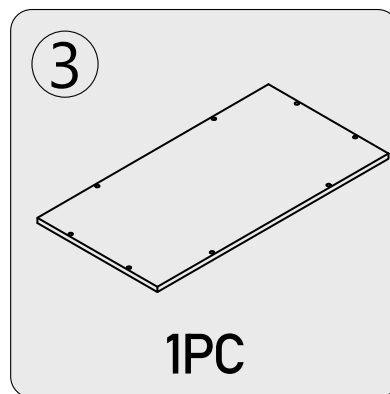
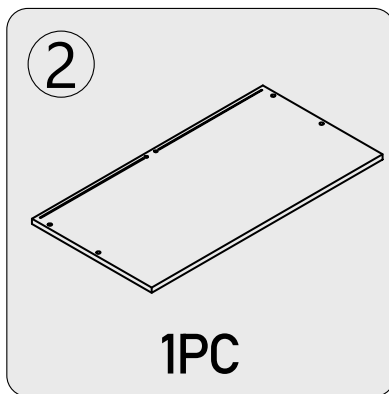
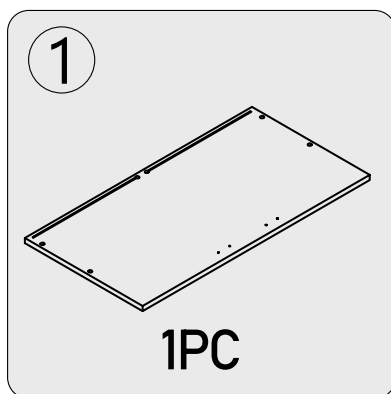


2 Persons Assembly



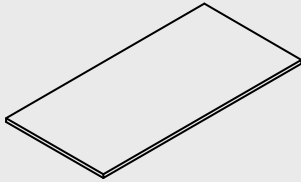
Up to 40 Minutes For Assembly

Panel List



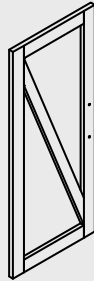
Panel List

10



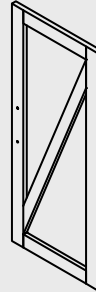
2PCS

11



1PC

12



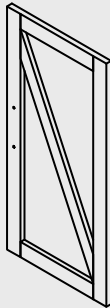
1PC

13



1PC

14



1PC

15



1PC

16



1PC

17



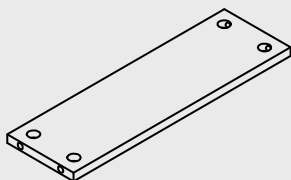
1PC

18



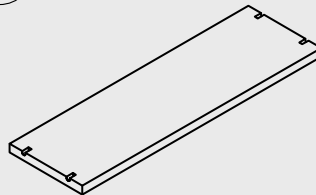
1PC

19



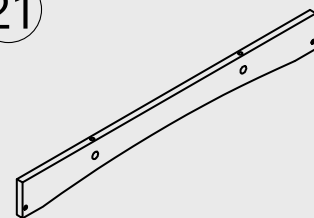
6PCS

20



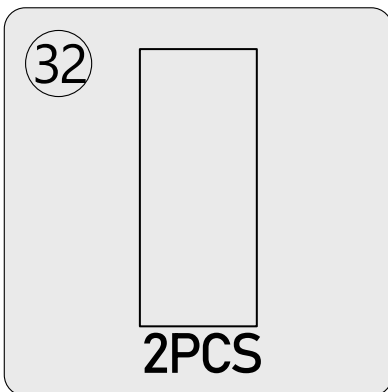
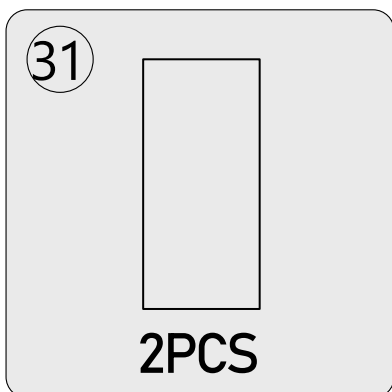
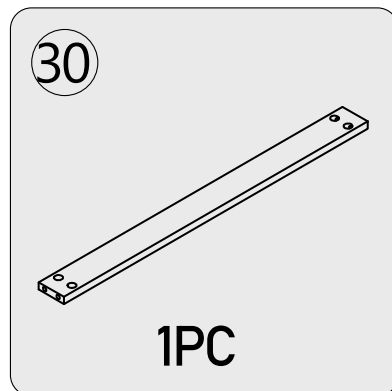
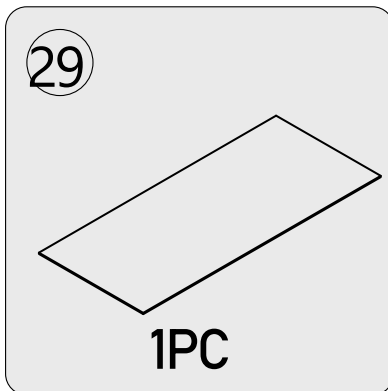
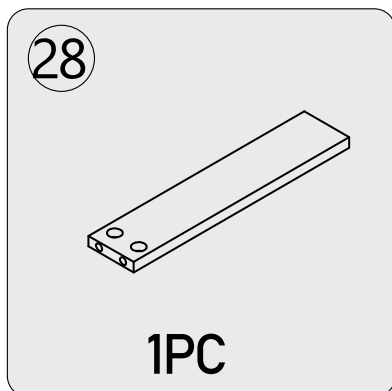
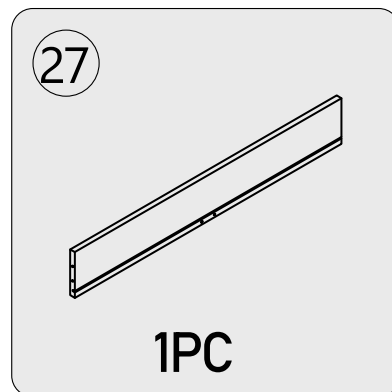
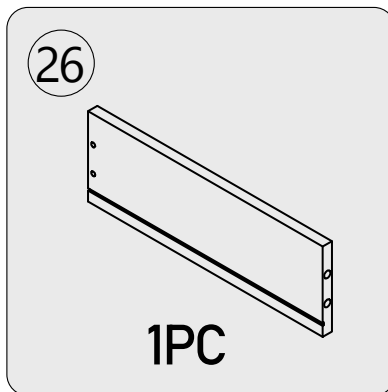
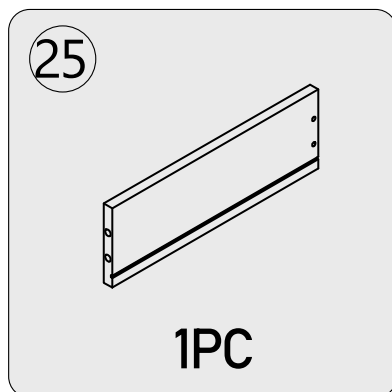
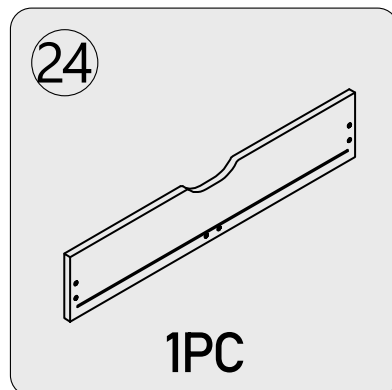
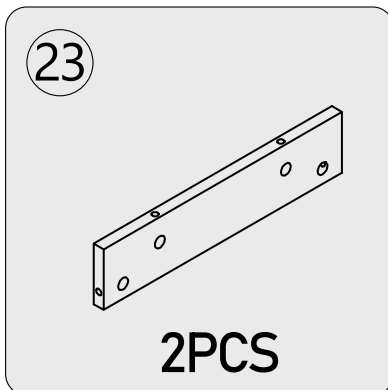
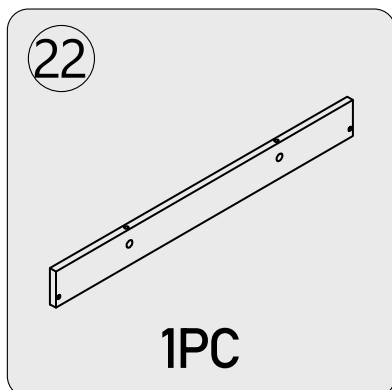
2PCS

21



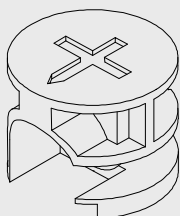
1PC

Panel List



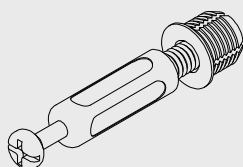
Hardware List

A



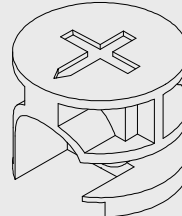
44+1PCS($\Phi 15 \times 12\text{mm}$)

B



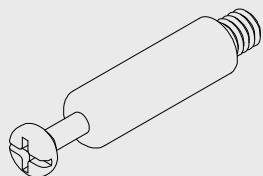
44+1PCS($\Phi 6 \times 43\text{mm}$)

C



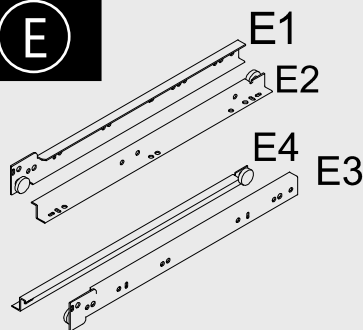
30+1PCS($\Phi 15 \times 10\text{mm}$)

D



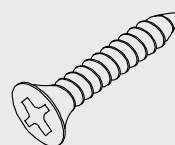
30+1PCS($\Phi 6 \times 28\text{mm}$)

E



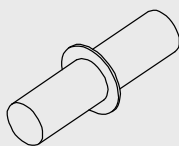
1PC(L=300mm)

F



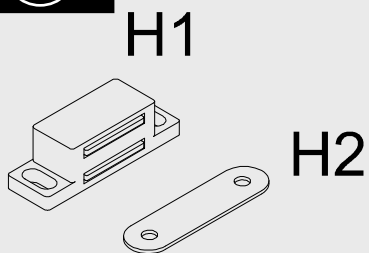
28+1PCS(K3.5*14mm)

G



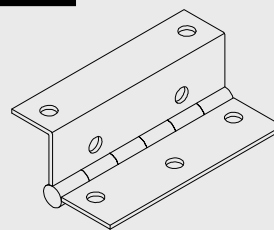
24+1PCS

H



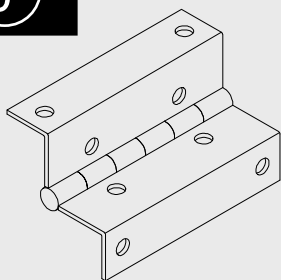
4PCS

I



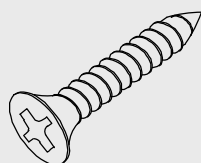
4PCS

J



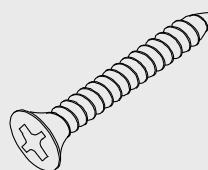
6PCS

K



92+2PCS(k3*14mm)

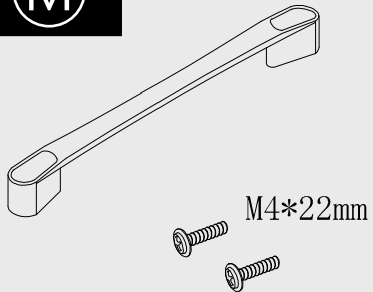
L



6+1PCS(k3.5*25mm)

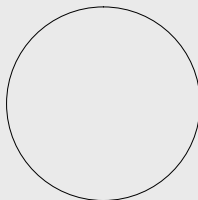
Hardware List

M



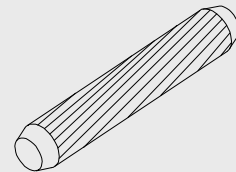
4PCS

N



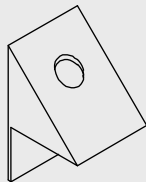
54PCS(Φ 20)

O



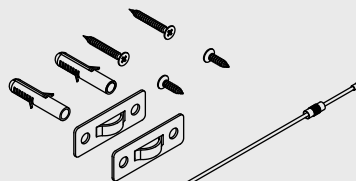
2PCS(Φ 8*60mm)

P



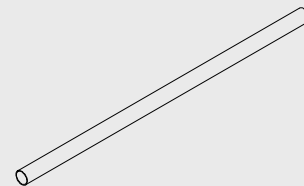
16PCS

Q



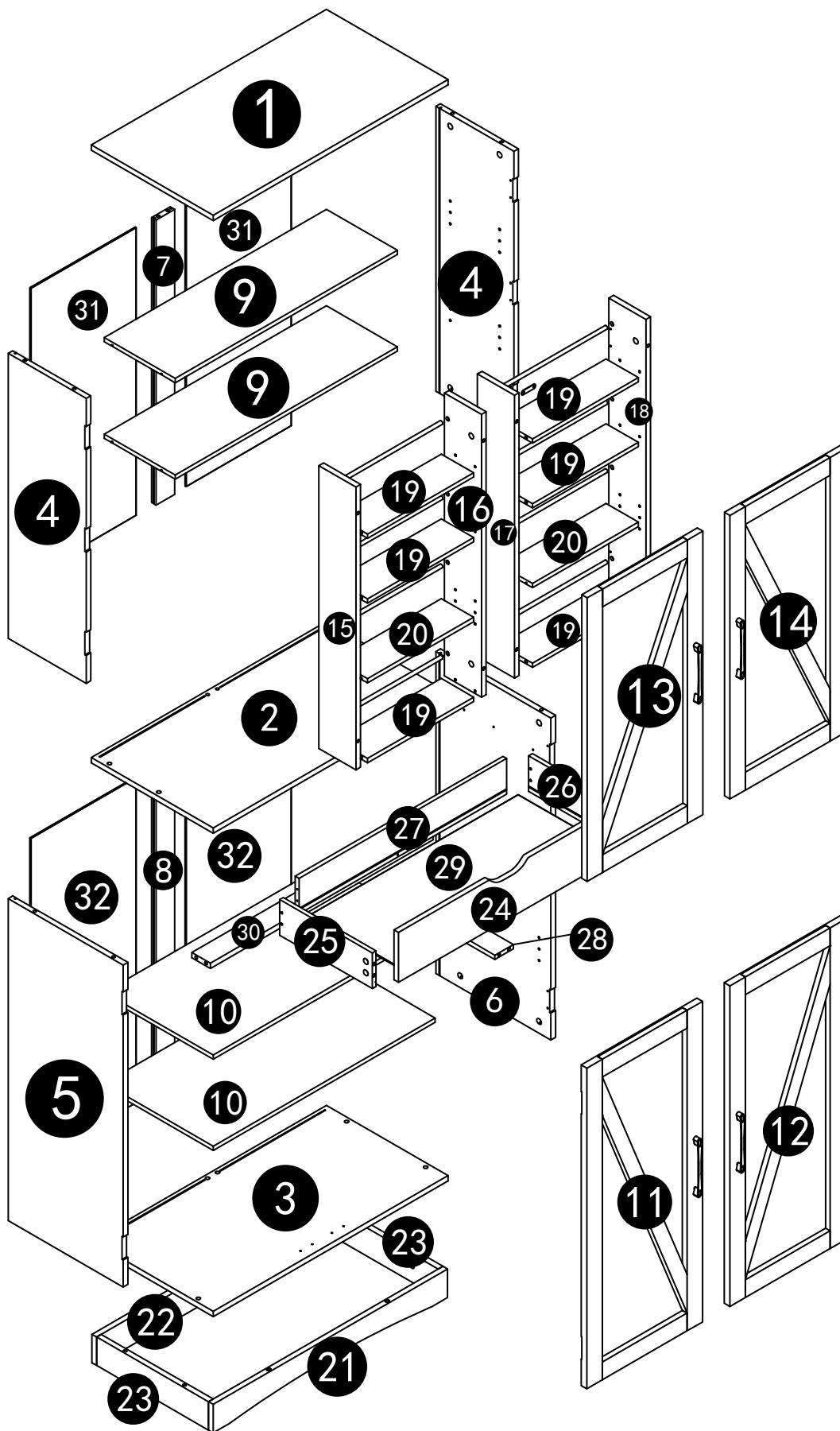
1PC

R



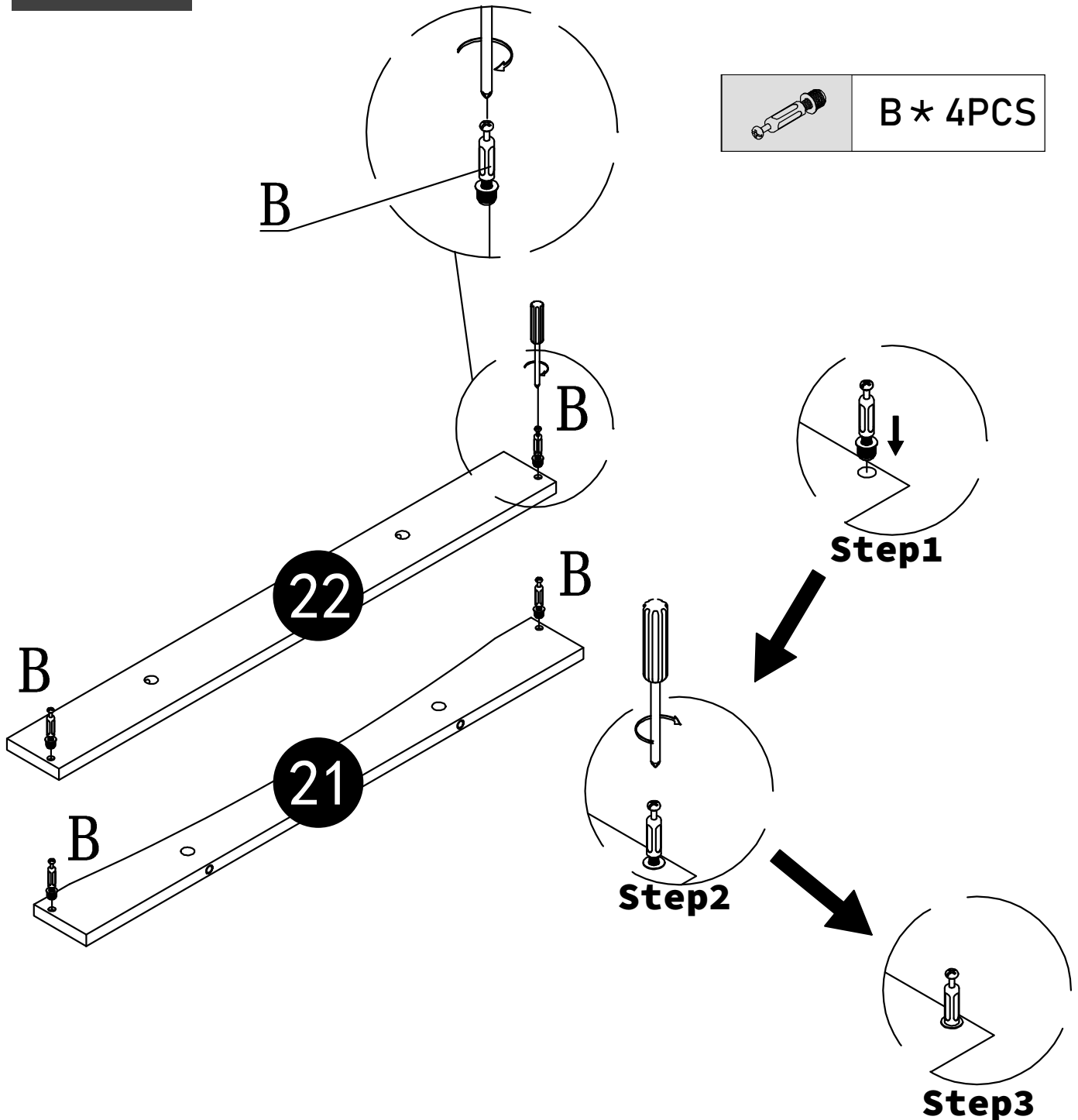
8PCS(Φ 10*353mm)

Preview image of the installation board



Assembly Instructions

STEP 1

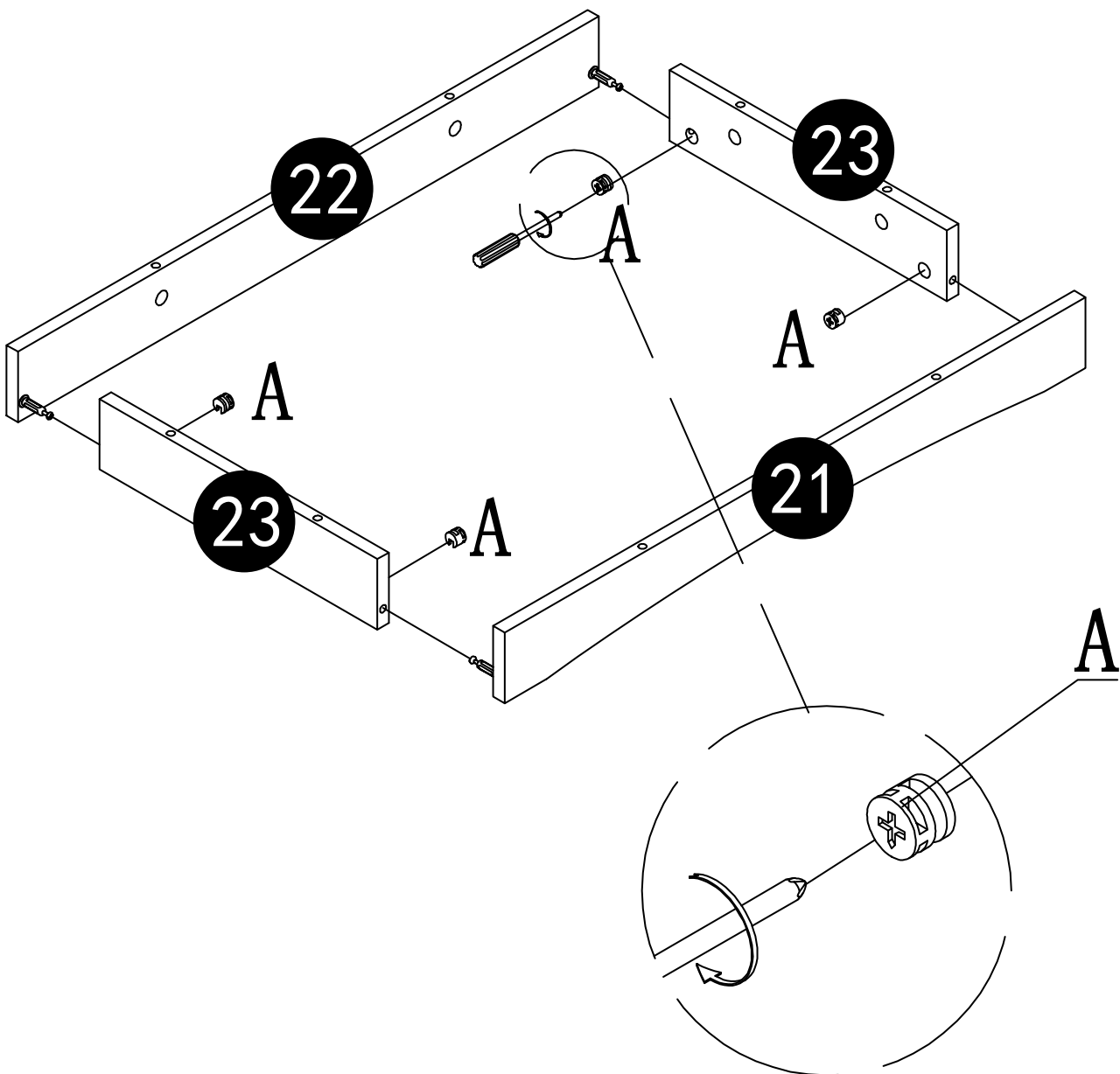
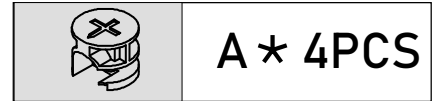


First, press B down into the hole until the white plastic threads are completely submerged in the hole, then screw the screw in clockwise.

Note: If the white plastic is not pressed in, use a tool to gently tap it down.

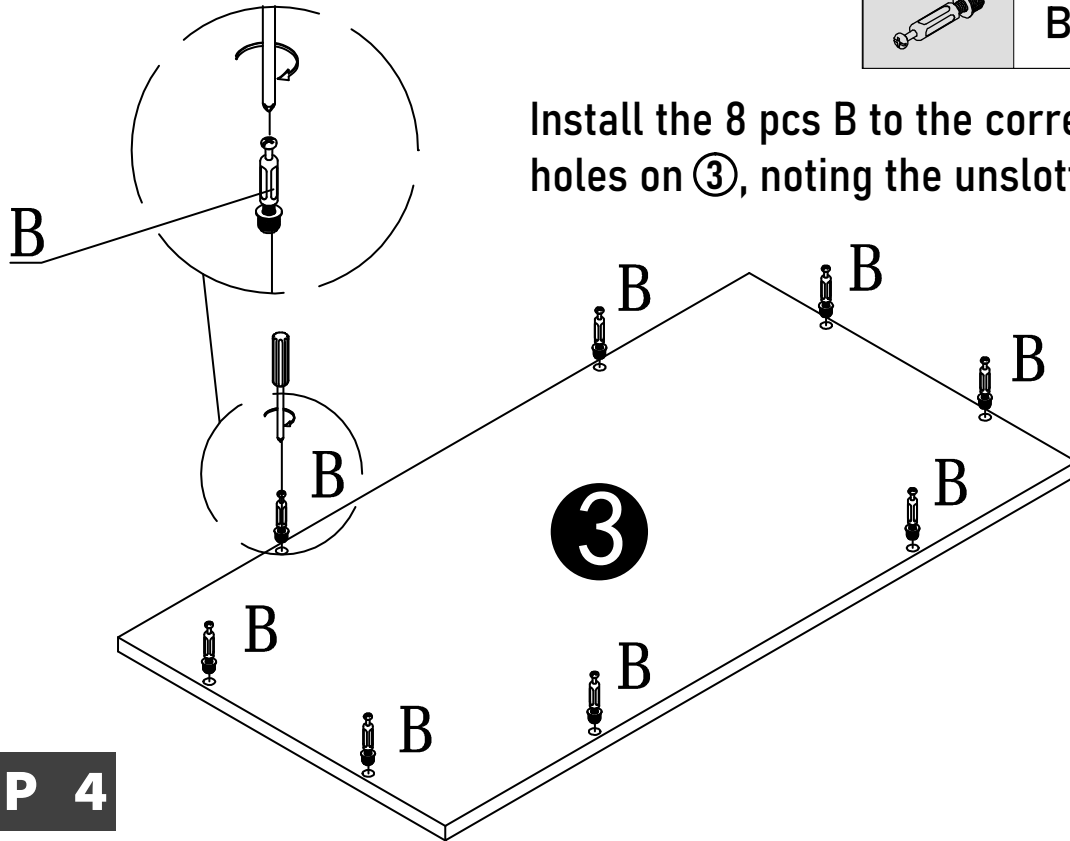
Assembly Instructions

STEP 2



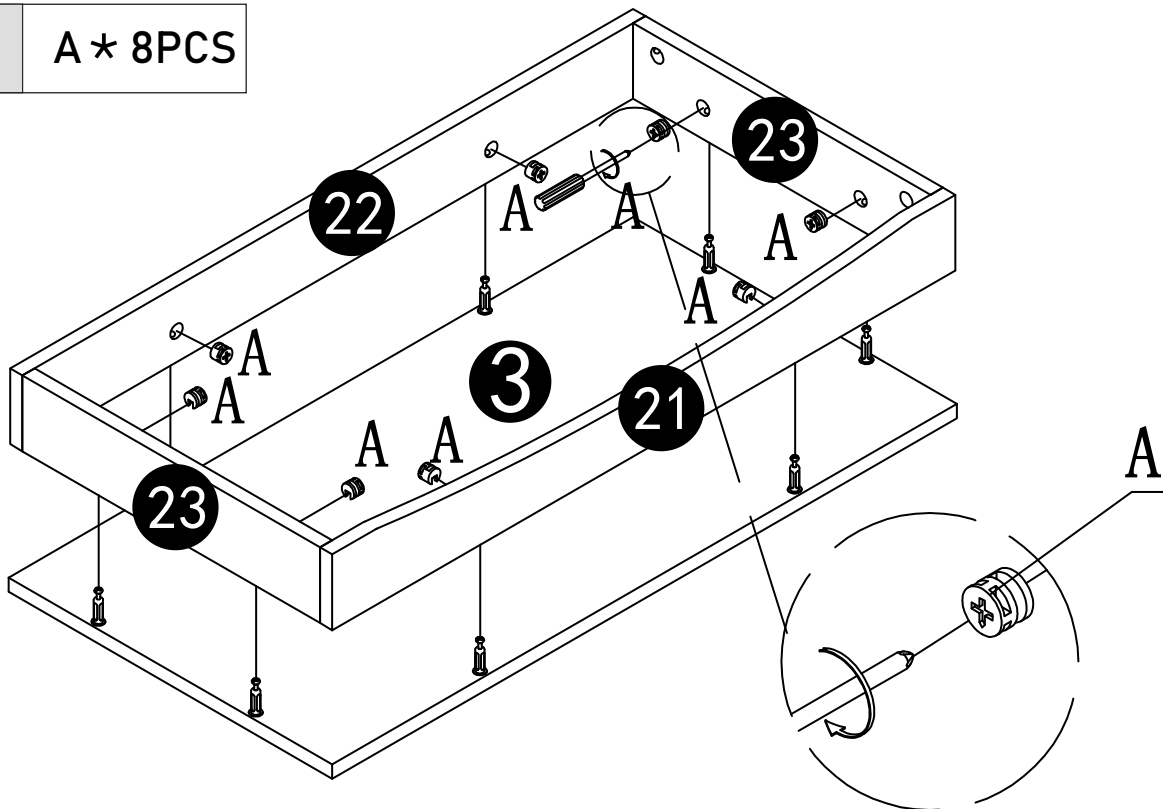
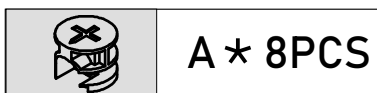
Assembly Instructions

STEP 3






Install the 8 pcs B to the corresponding holes on ③, noting the unslotted side.

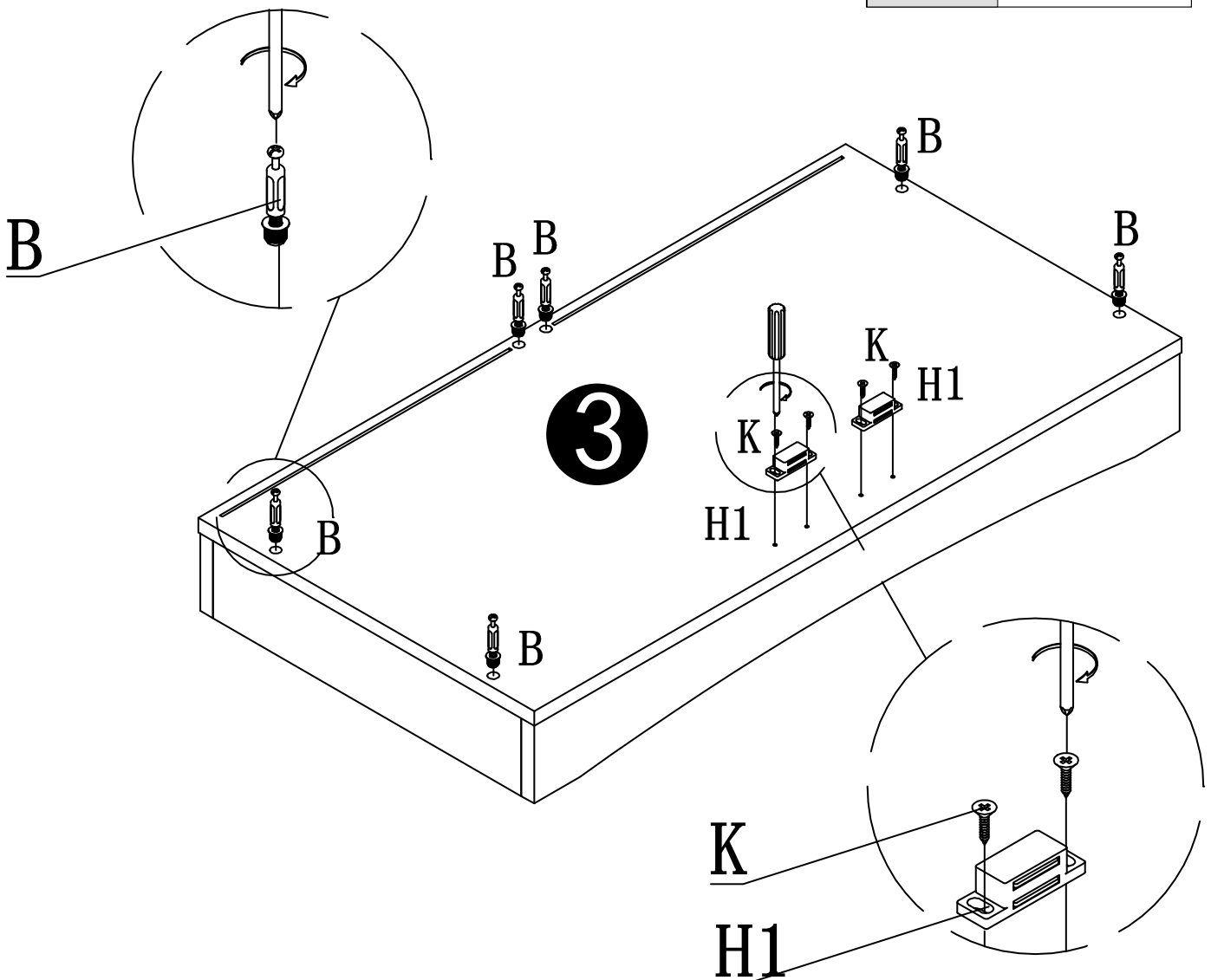
STEP 4



Assembly Instructions

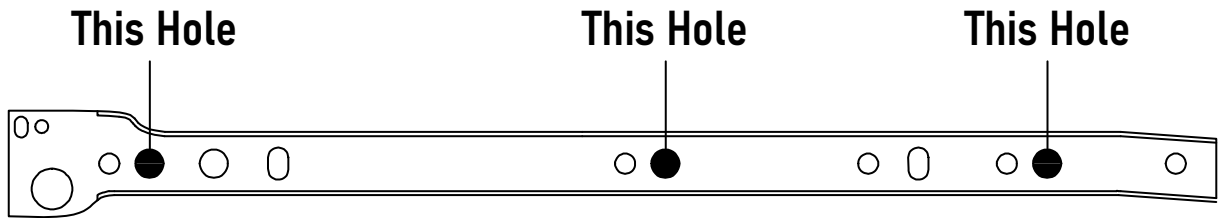
STEP 5

	B * 6PCS
	H1 * 2PCS
	K * 4PCS

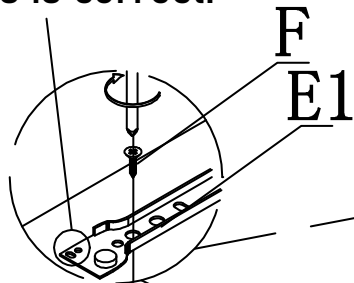


Assembly Instructions

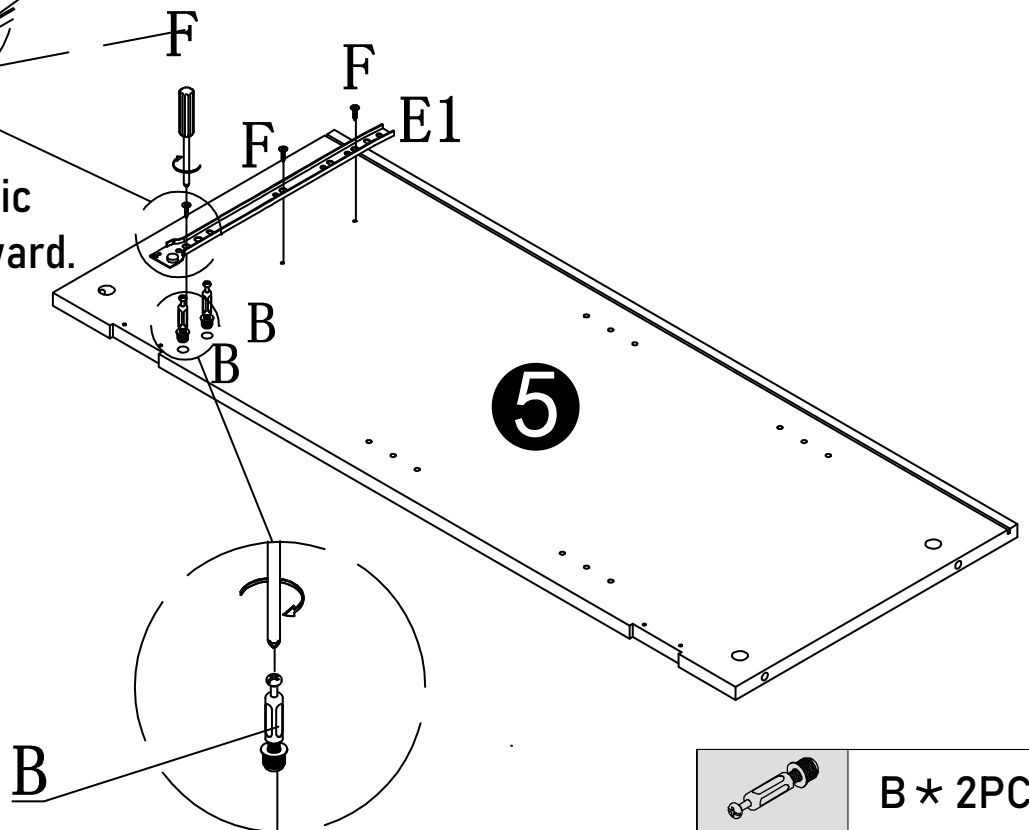
STEP 6






Note: Two holes facing upwards is correct.



Note: White plastic wheels face forward.

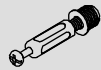




	B * 2PCS
	E1 * 1PC
	F * 3PCS

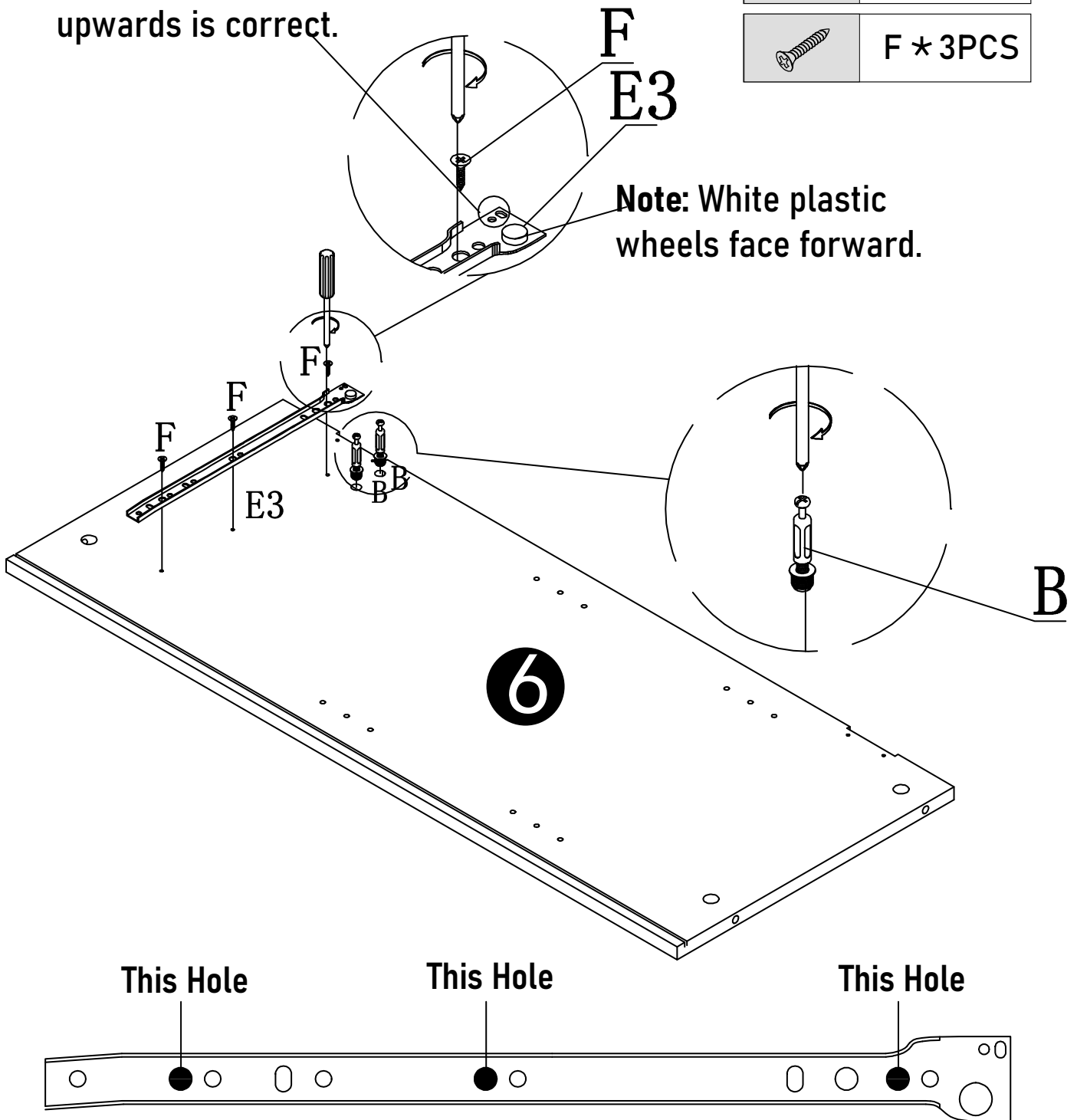
Assembly Instructions

STEP 7

Note: Two holes facing upwards is correct.

	B * 2PCS
	E3 * 1PC
	F * 3PCS

Note: White plastic wheels face forward.

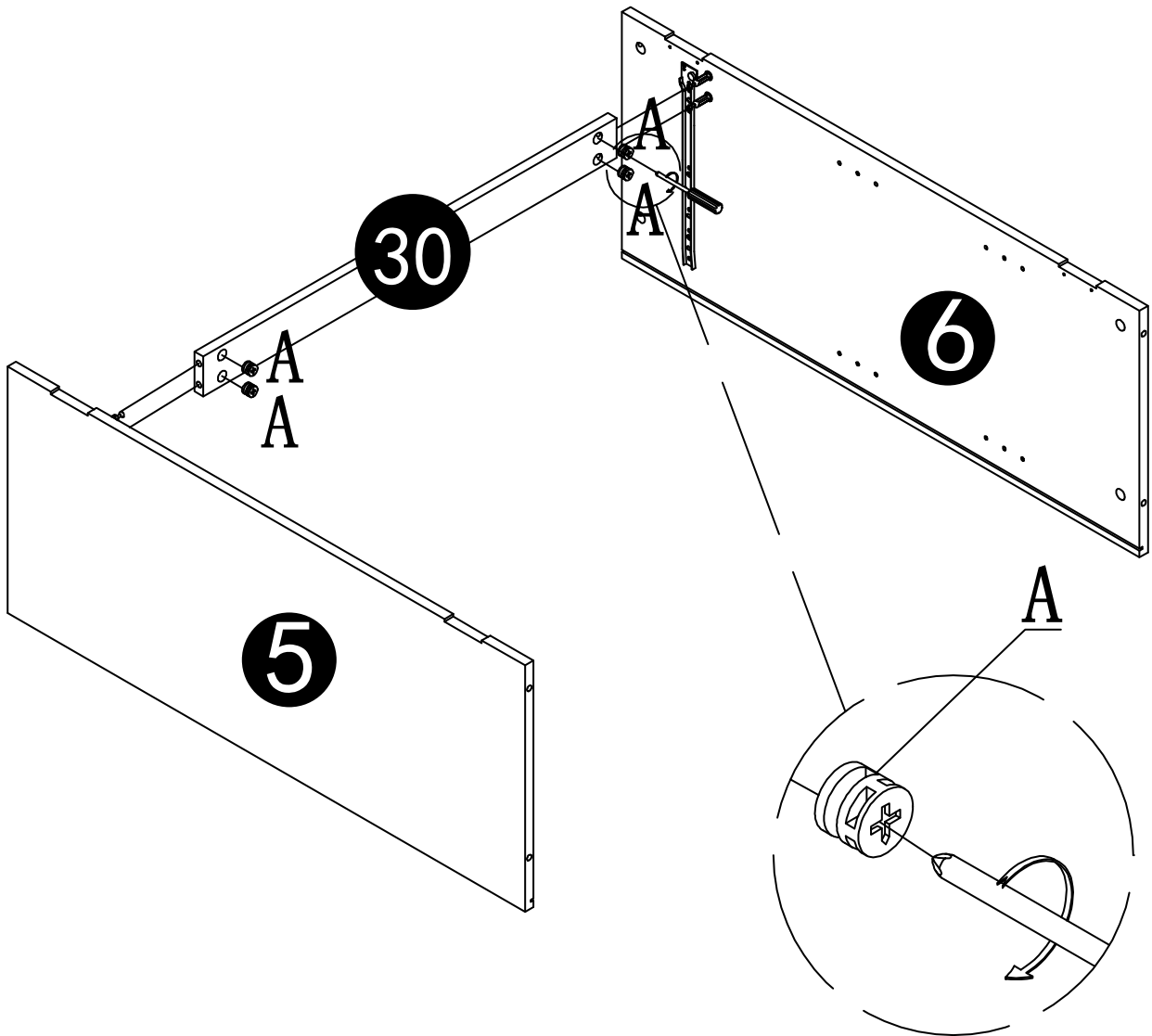


Assembly Instructions

STEP 8

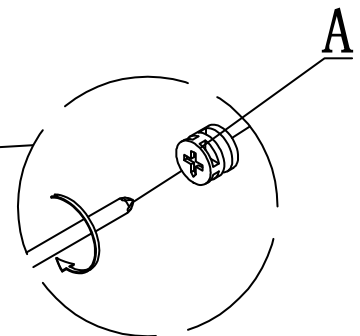
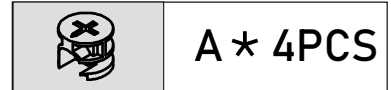
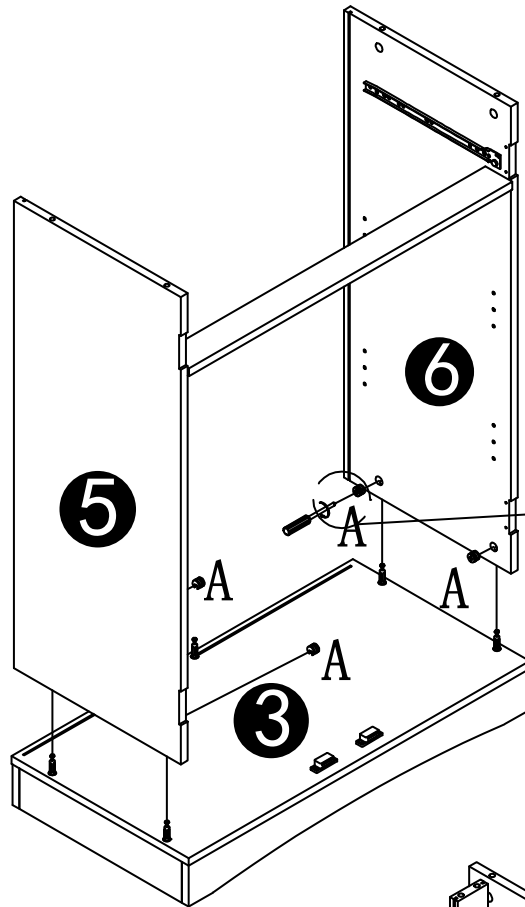


A * 4PCS

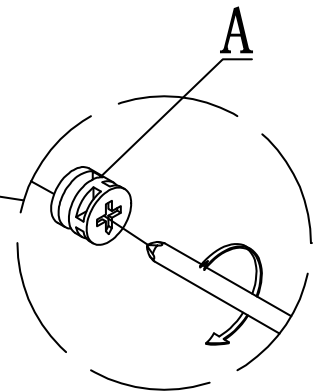
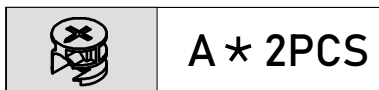
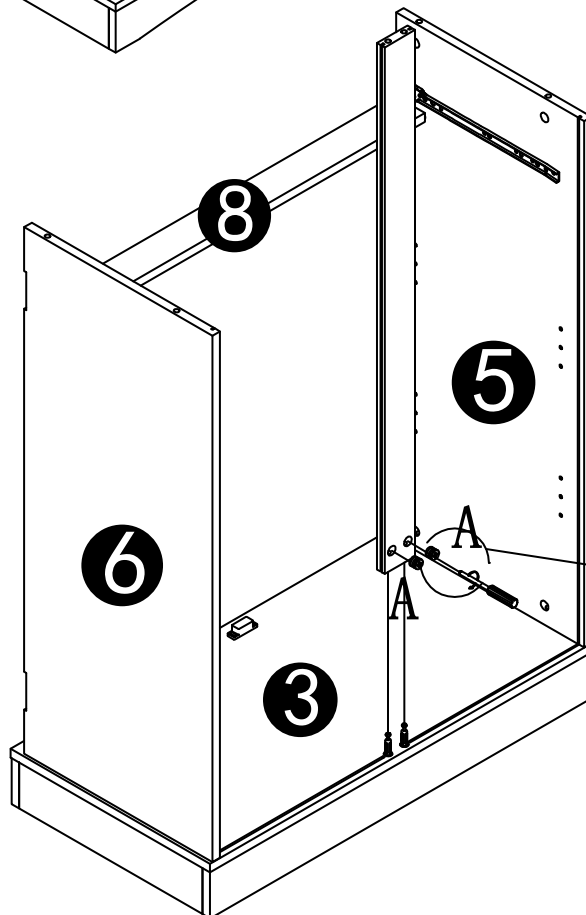


Assembly Instructions

STEP 9



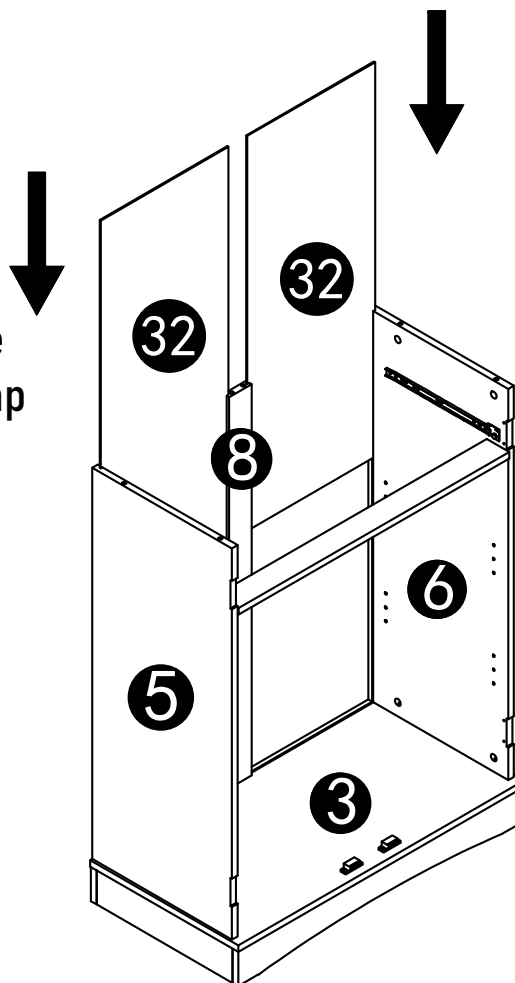
STEP 10



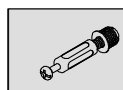
Assembly Instructions

STEP 11

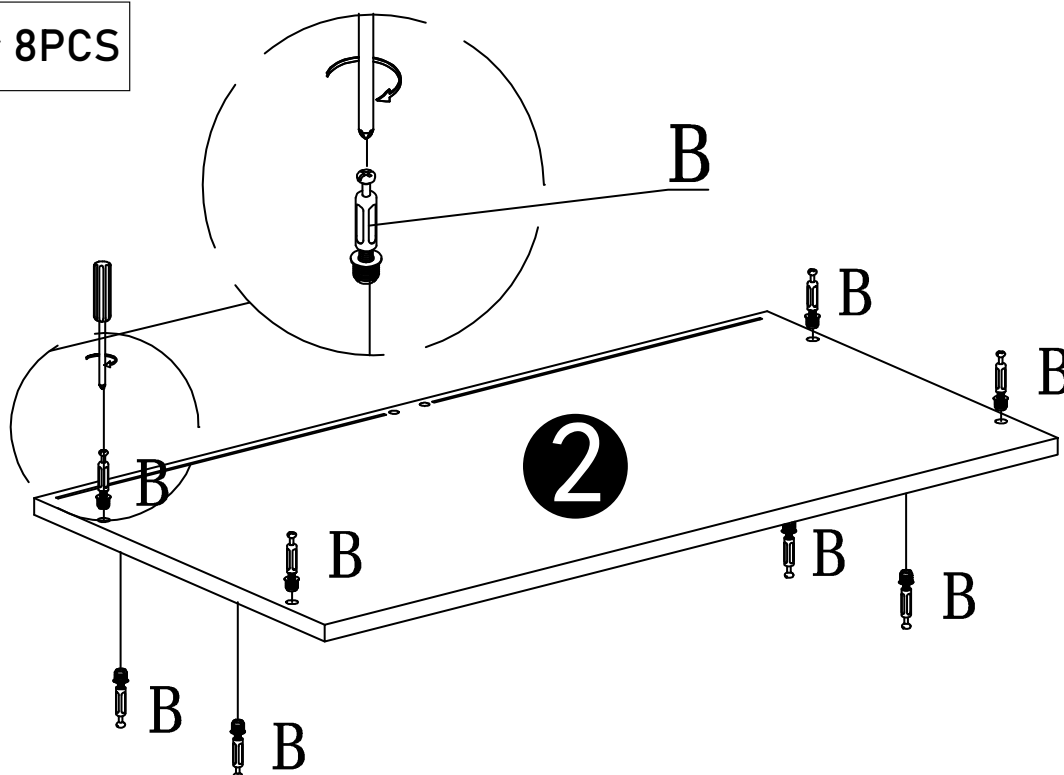
Push ③② to the bottom along the slots in ⑤/⑥/⑧, note that snap into the slots in ③.



STEP 12

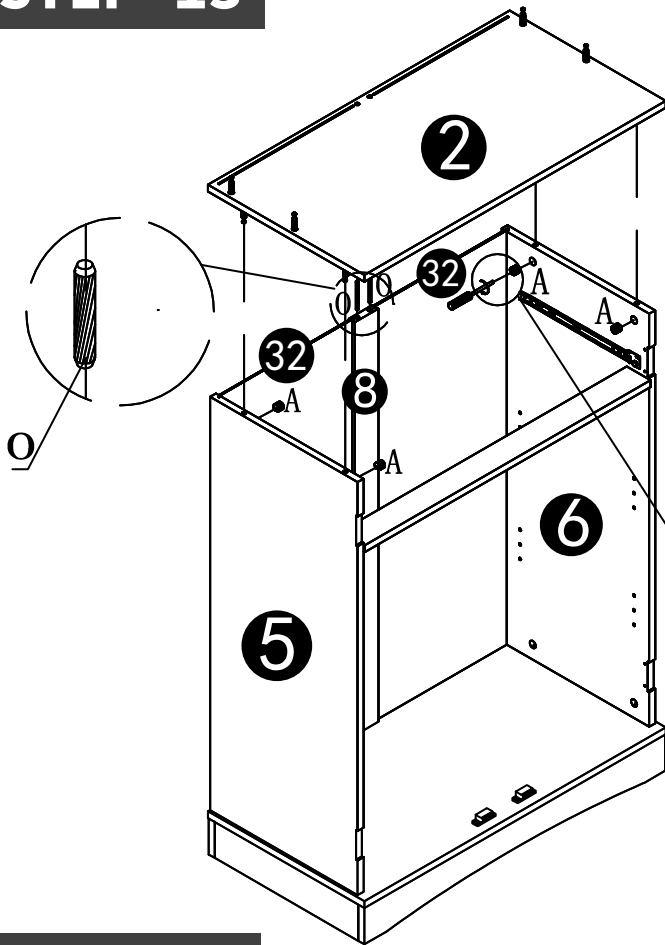


B * 8PCS



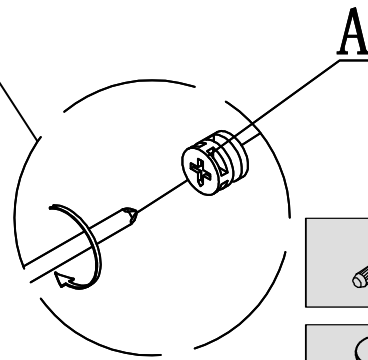
Assembly Instructions


STEP 13




Note that ③② needs to be inserted into the slot in ②.

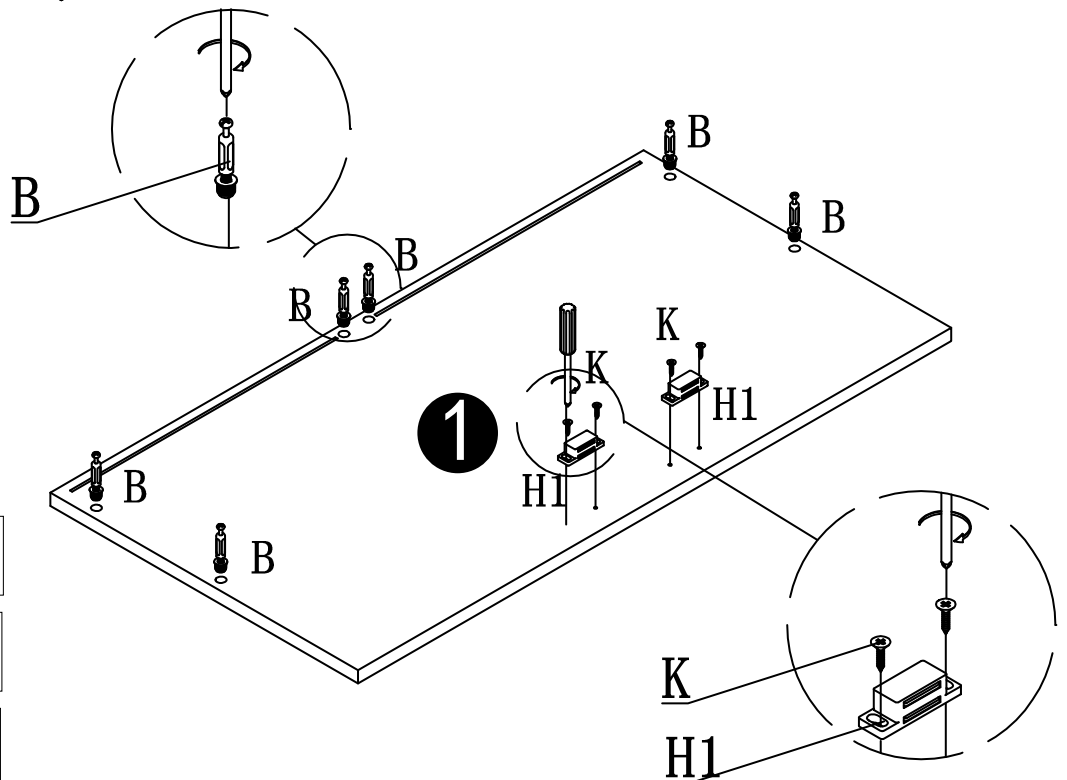
Note: The 2 pcs ○ pass through the ②, and the ③② needs to be inserted into the ② slot.





	O * 2PCS
---	----------


	A * 4PCS
---	----------

STEP 14



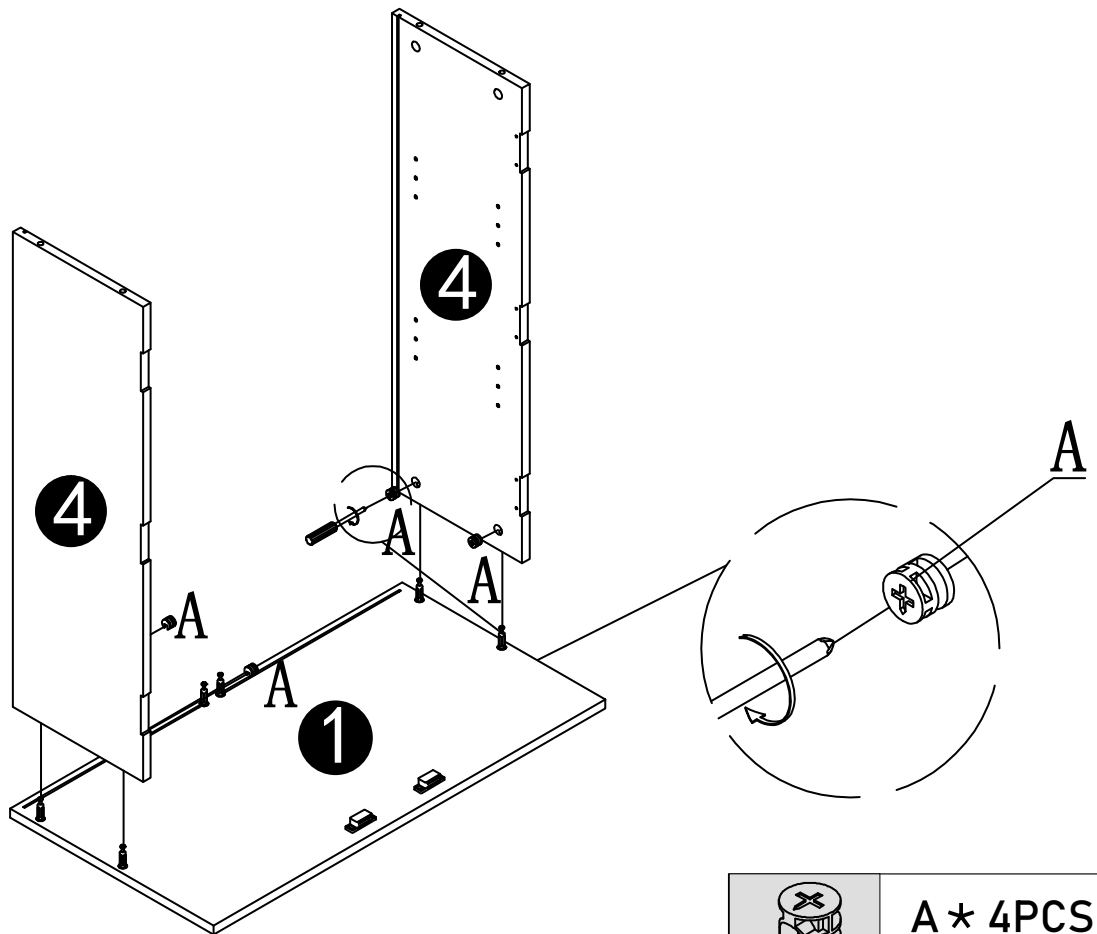
	B * 6PCS
---	----------


	H1 * 2PCS
---	-----------

	K * 4PCS
---	----------

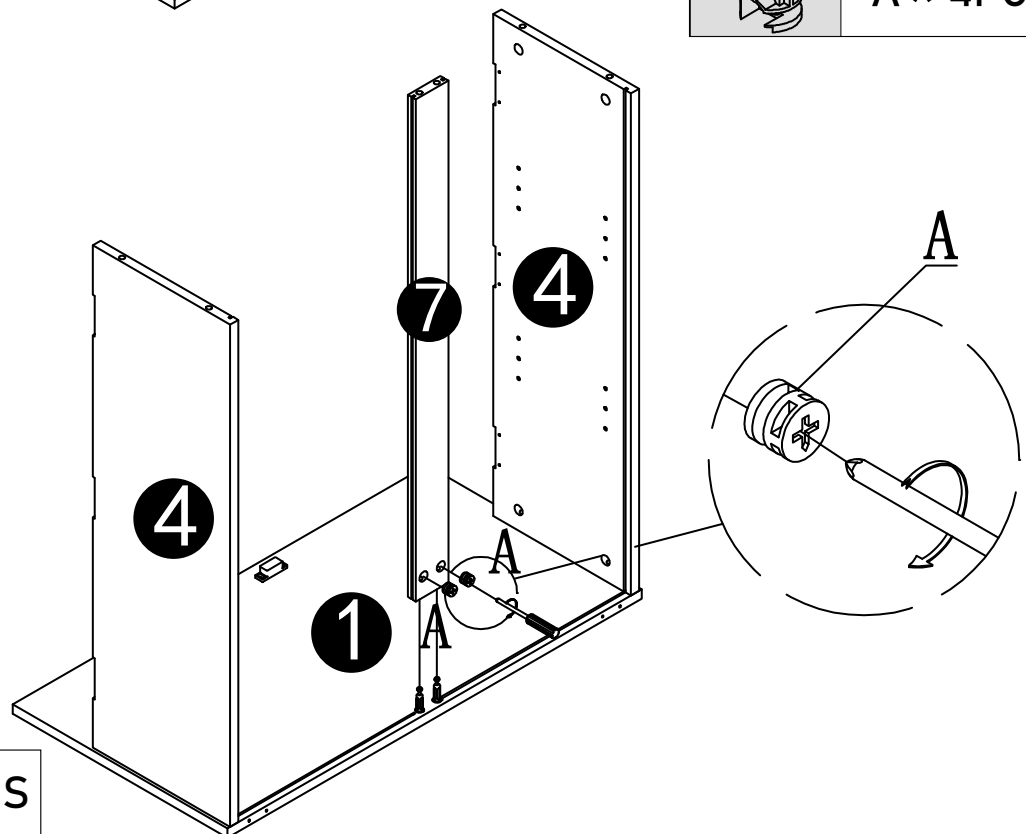
Assembly Instructions


STEP 15



 A * 4PCS

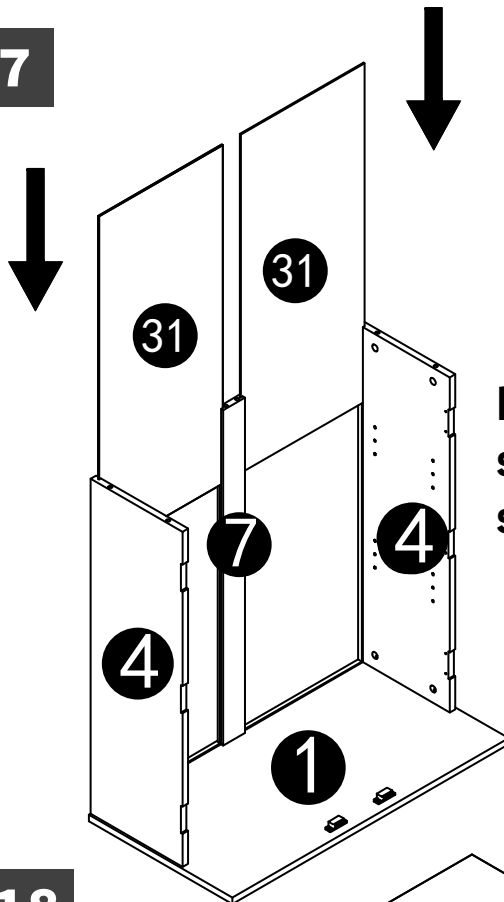
STEP 16



 A * 2PCS

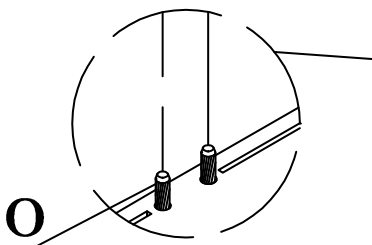
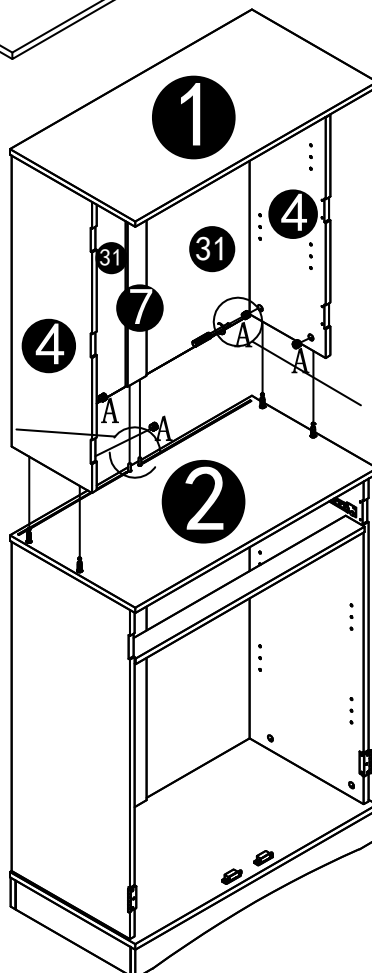
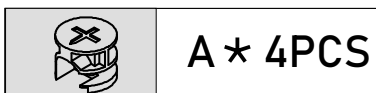
Assembly Instructions

STEP 17

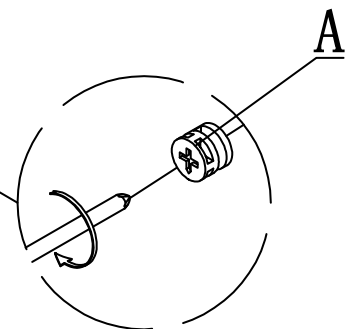


Push ③① to the bottom along the slots in ④ and ⑦, note that snap it into the slot in ①.

STEP 18



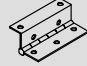

Note: 2 pcs ○ need to be connected through ② and ⑦.

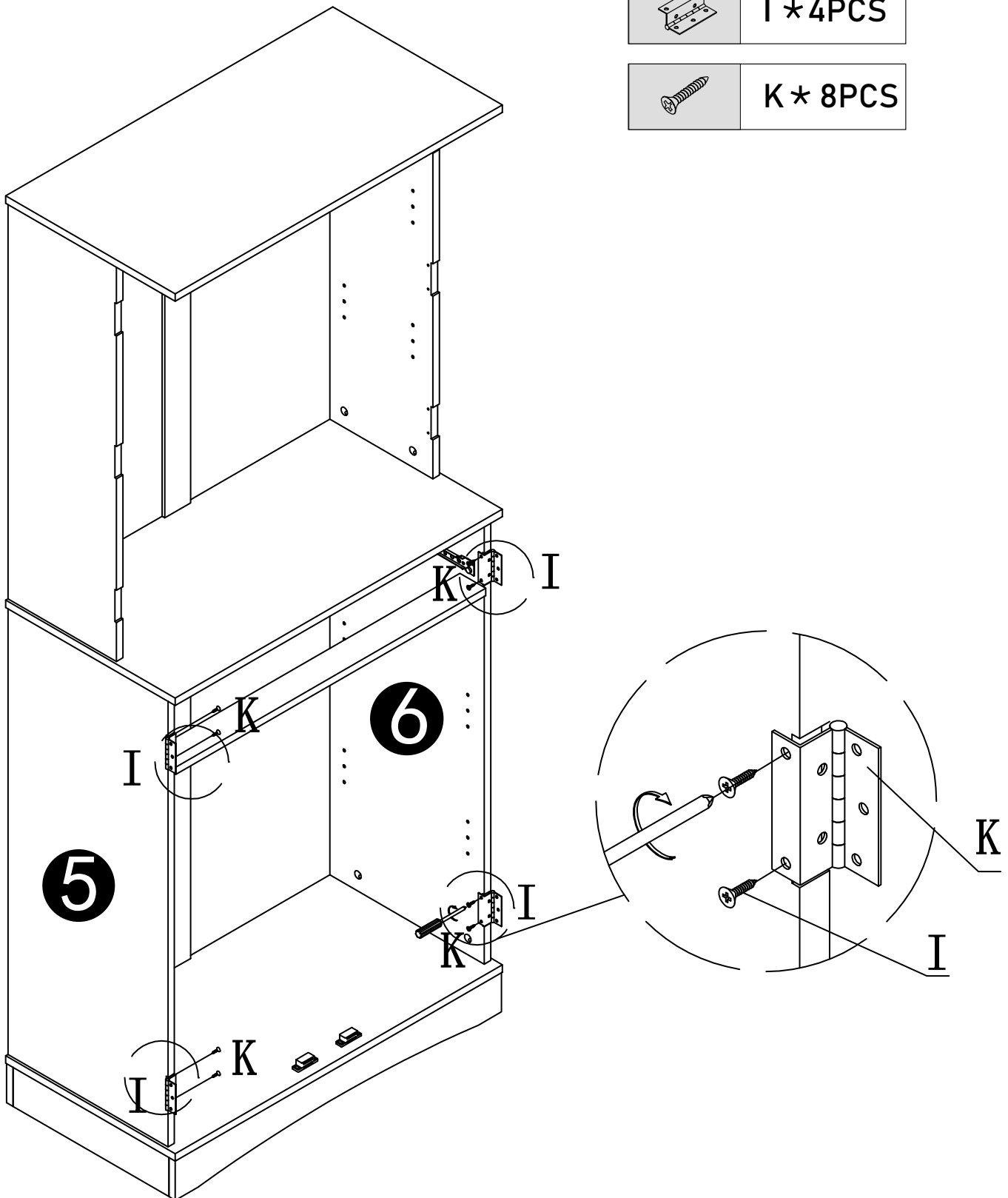


Note: ③① needs to be inserted into the slot in ②.

Assembly Instructions

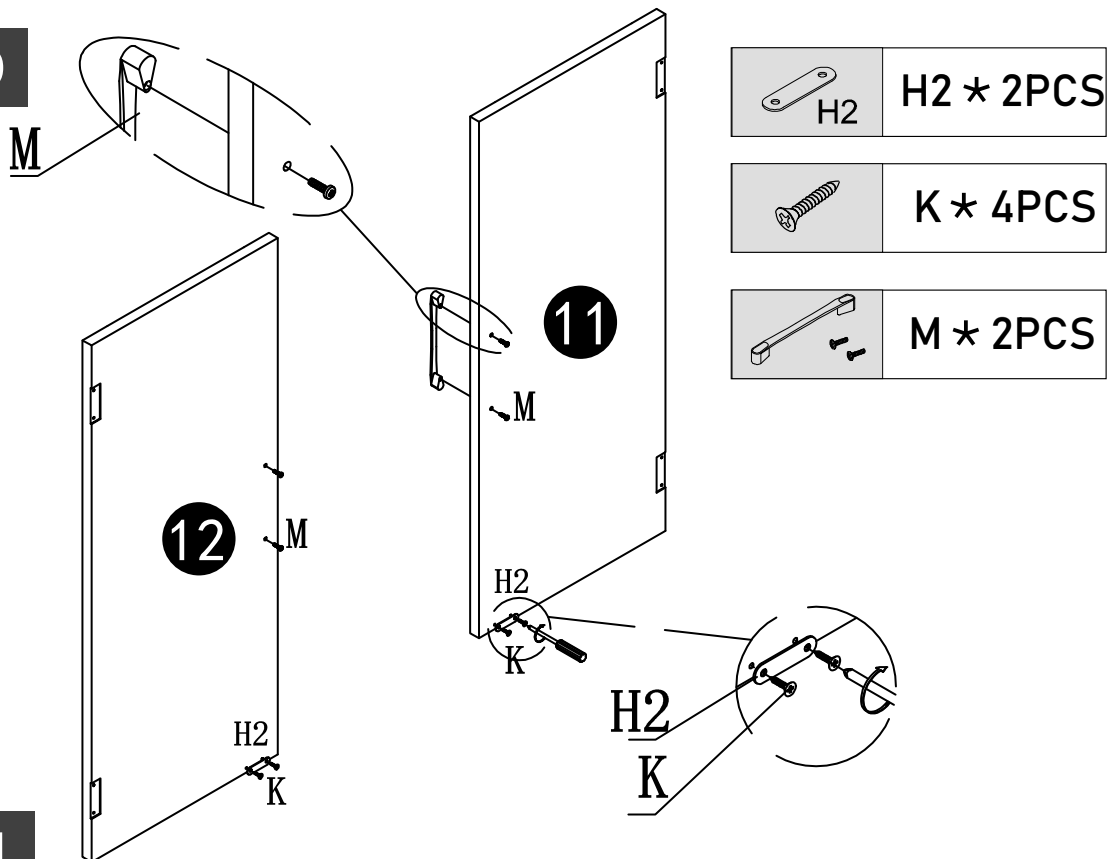
STEP 19

	I * 4PCS
	K * 8PCS

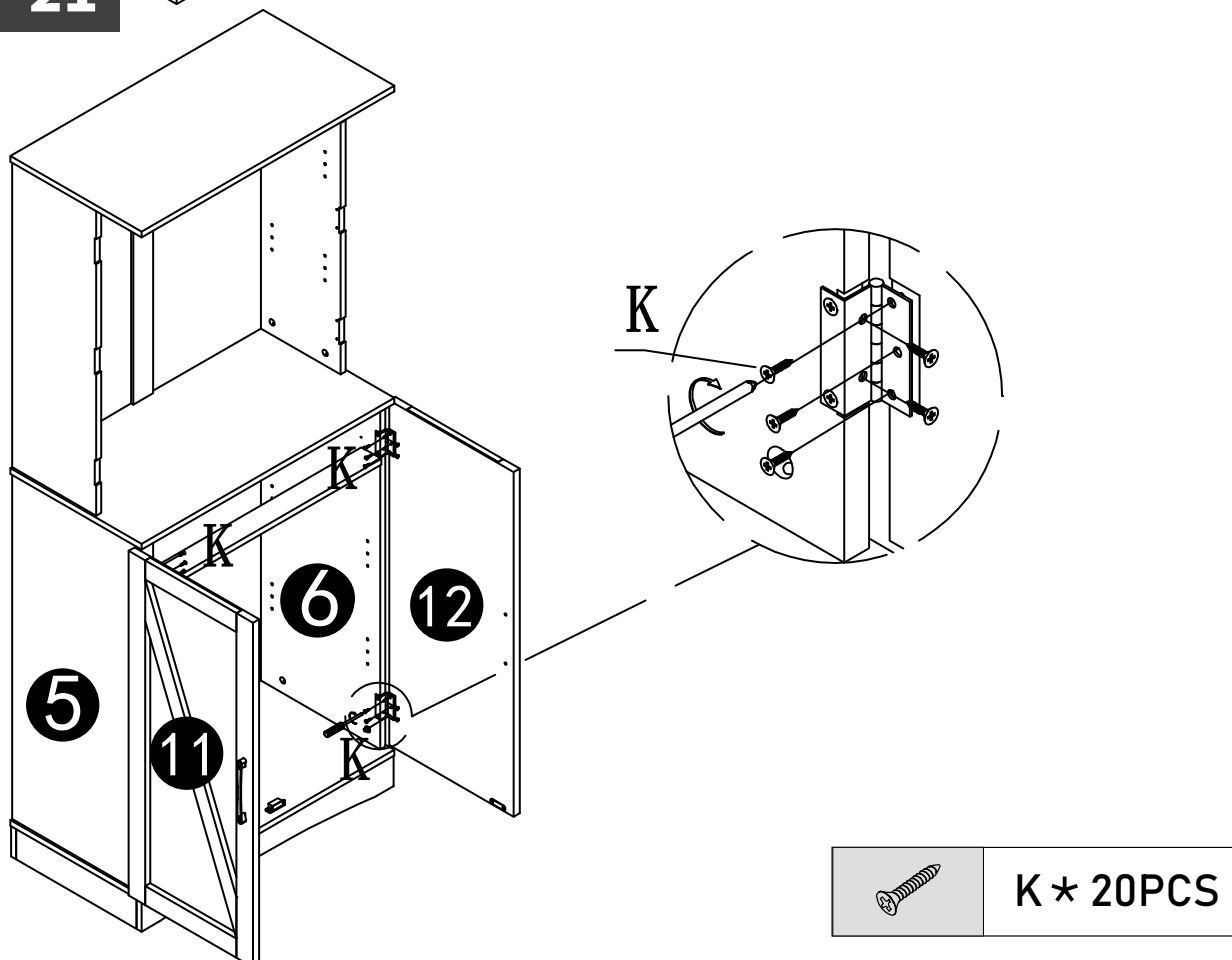


Assembly Instructions

STEP 20



STEP 21

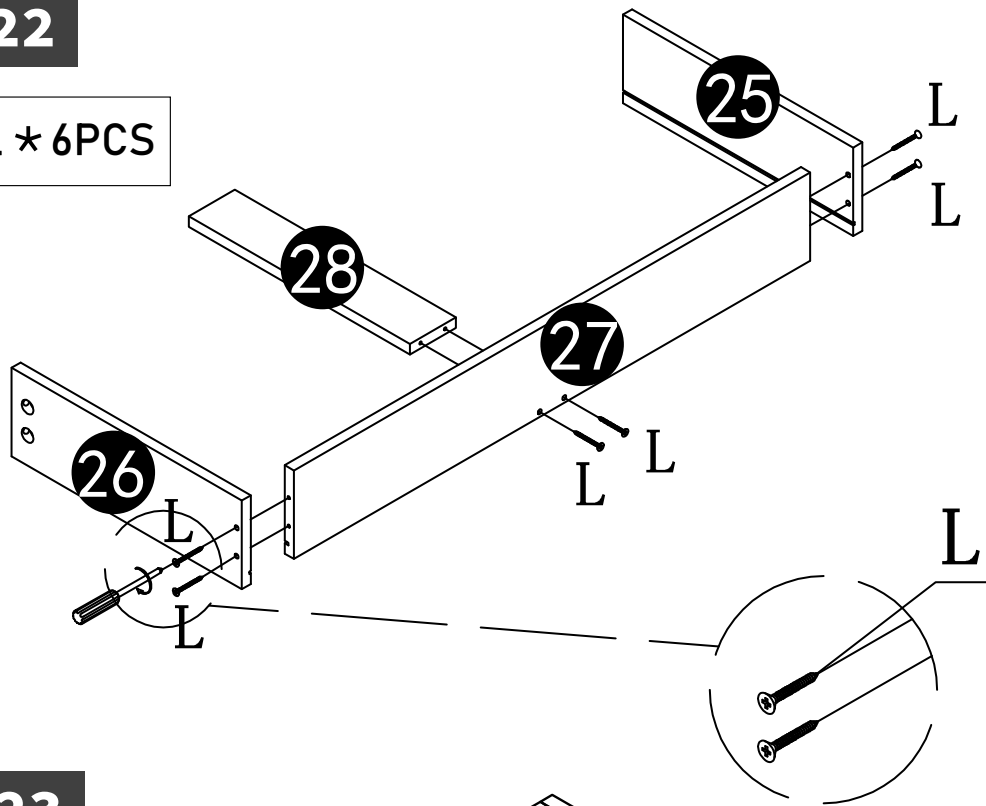


Assembly Instructions

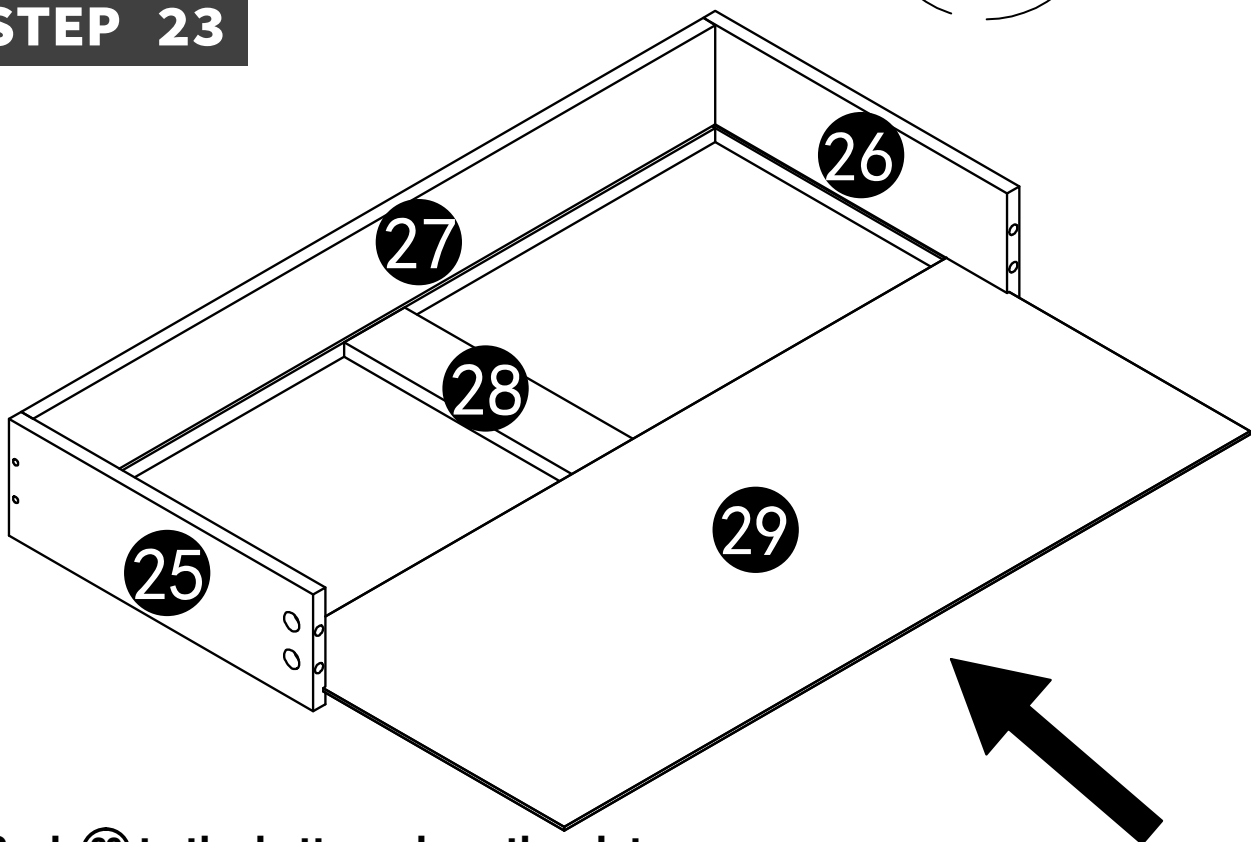
STEP 22



L * 6PCS



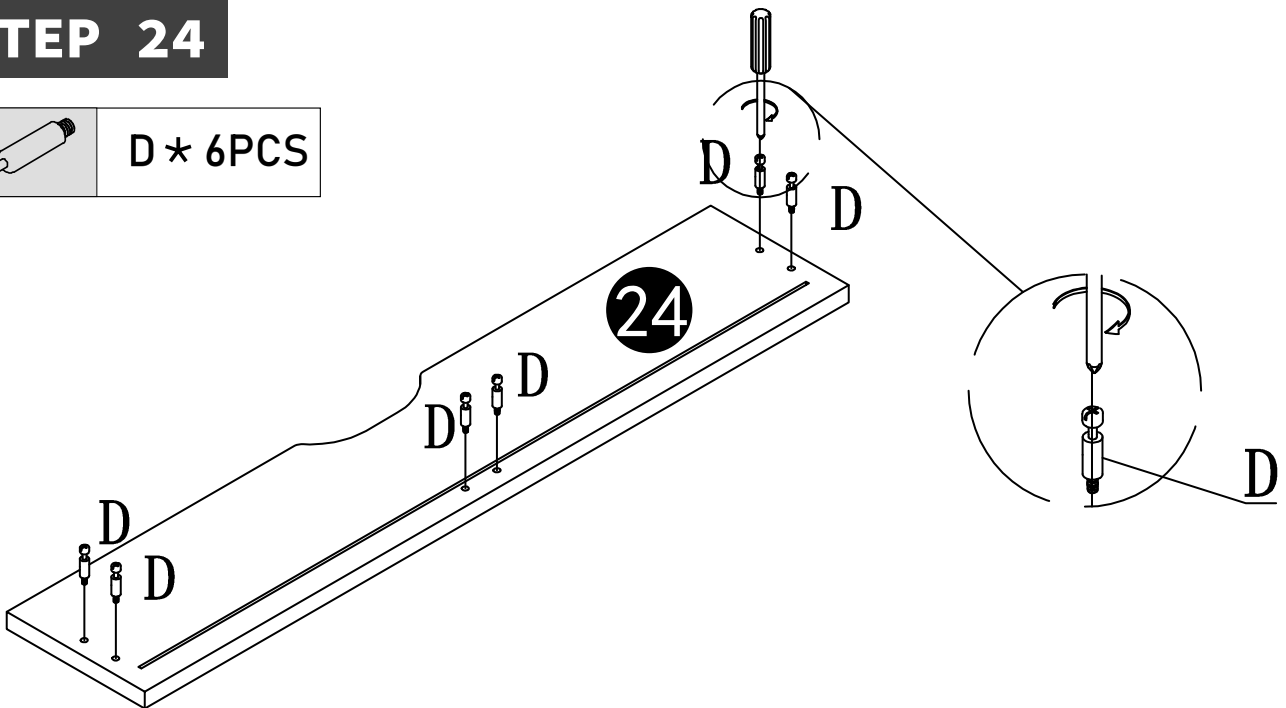
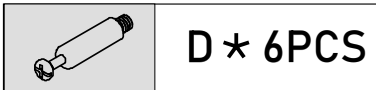
STEP 23



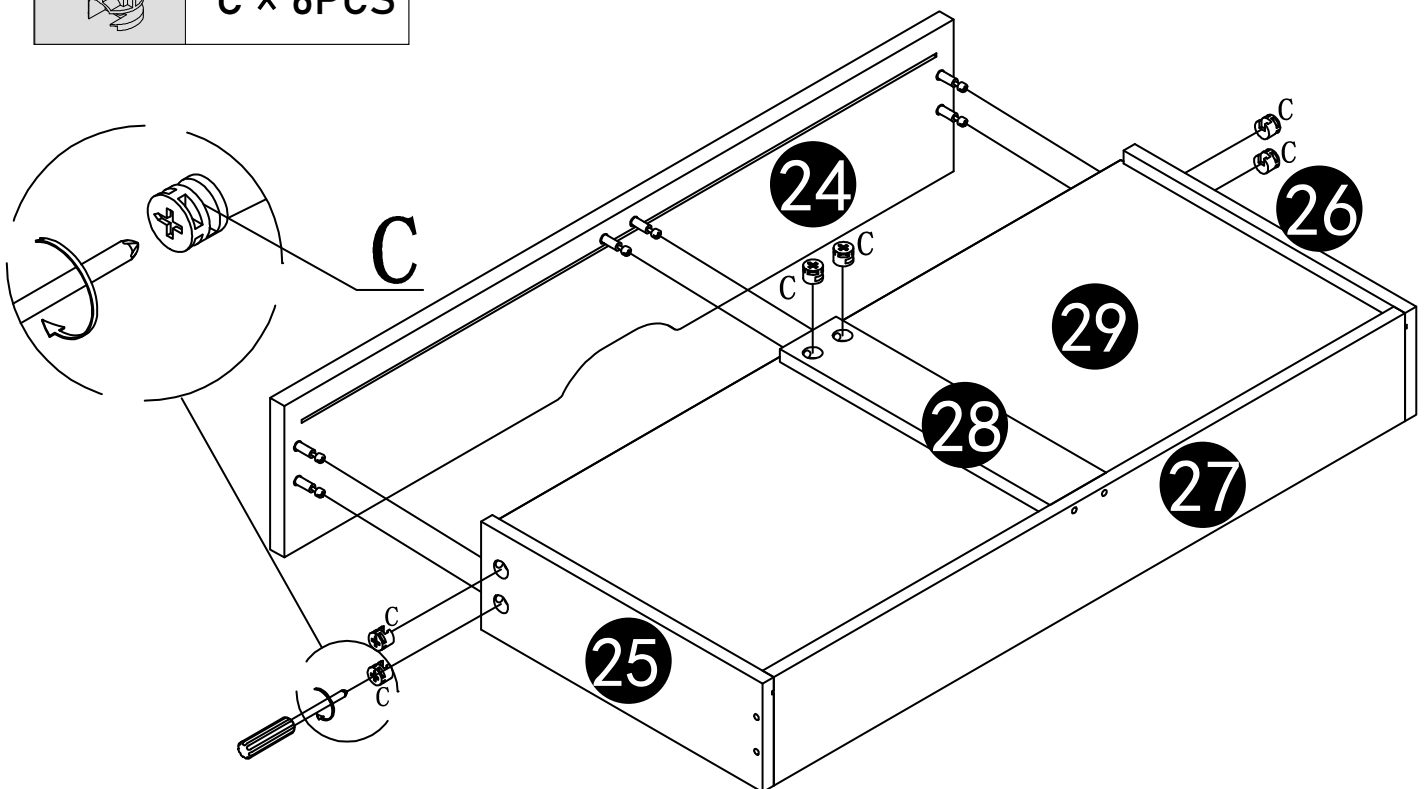
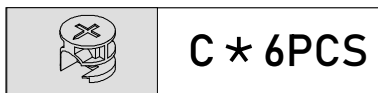
Push ⑲ to the bottom along the slots in ⑵ and ⑶, note that snap into the slots in ⑺.

Assembly Instructions

STEP 24

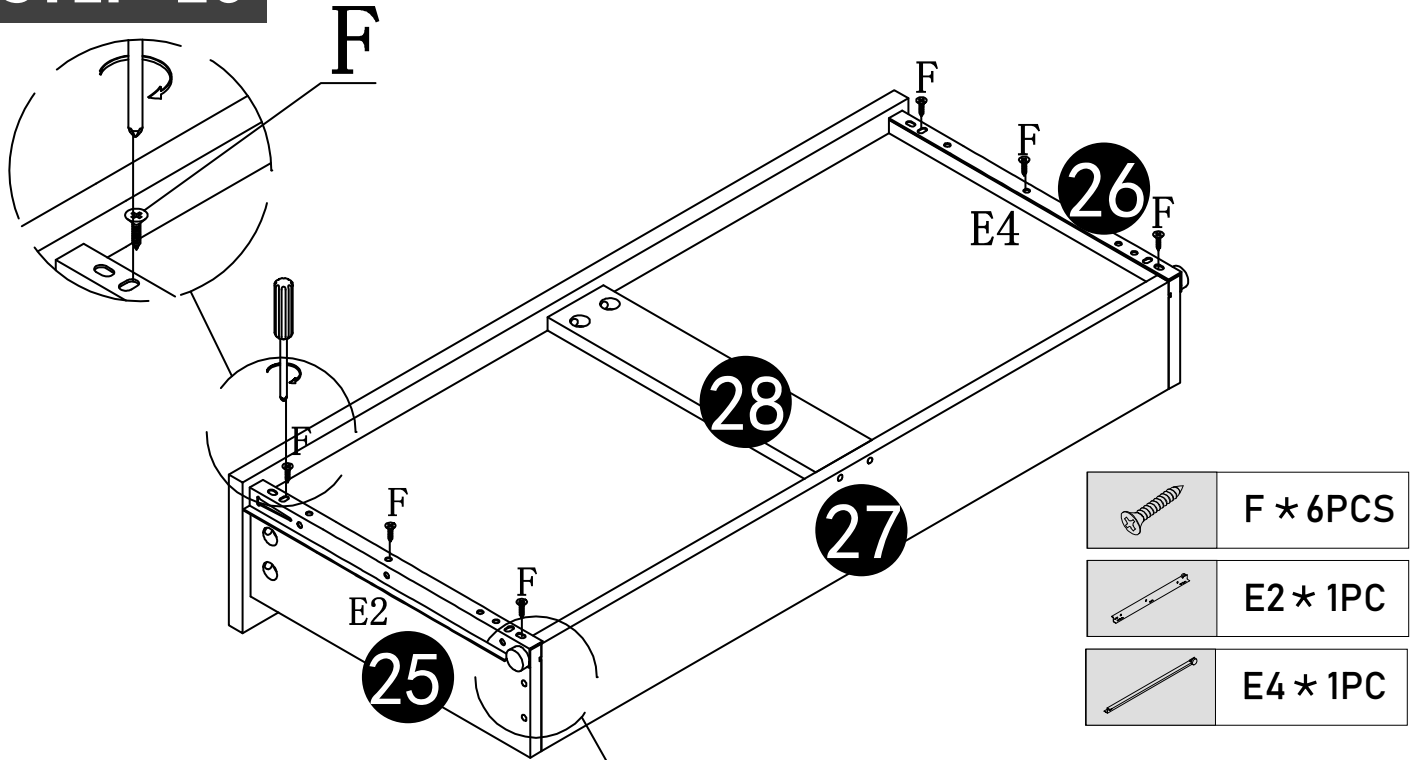


STEP 25



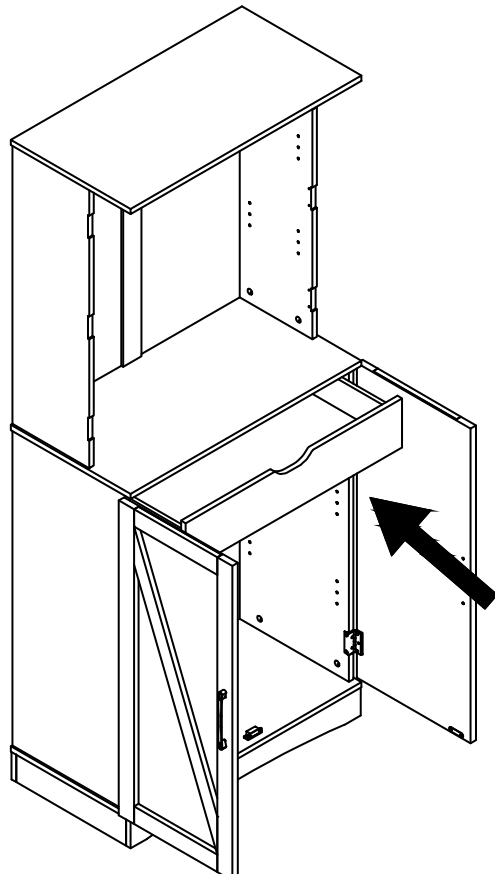
Assembly Instructions

STEP 26



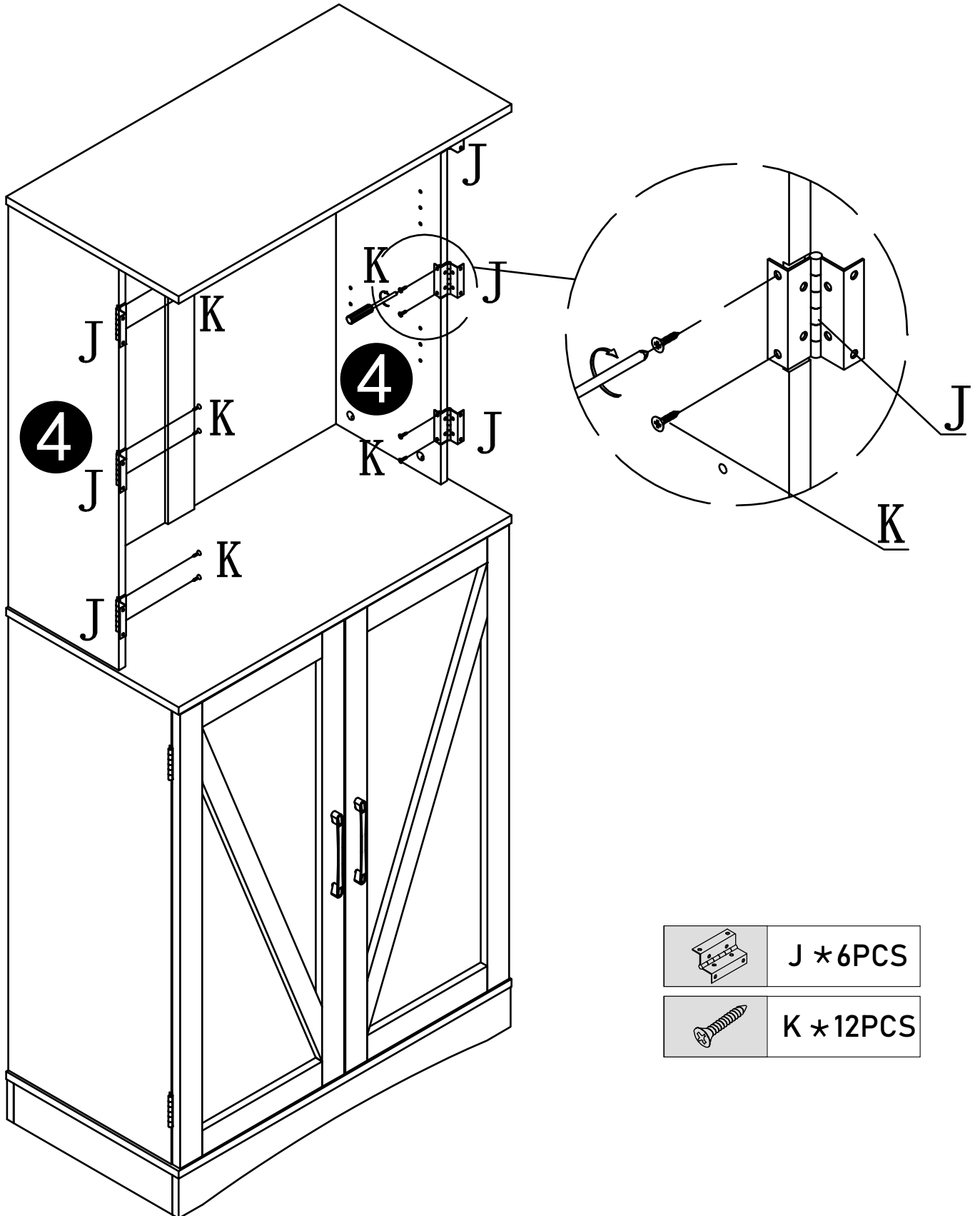
Note: White plastic wheels face backwards.

STEP 27



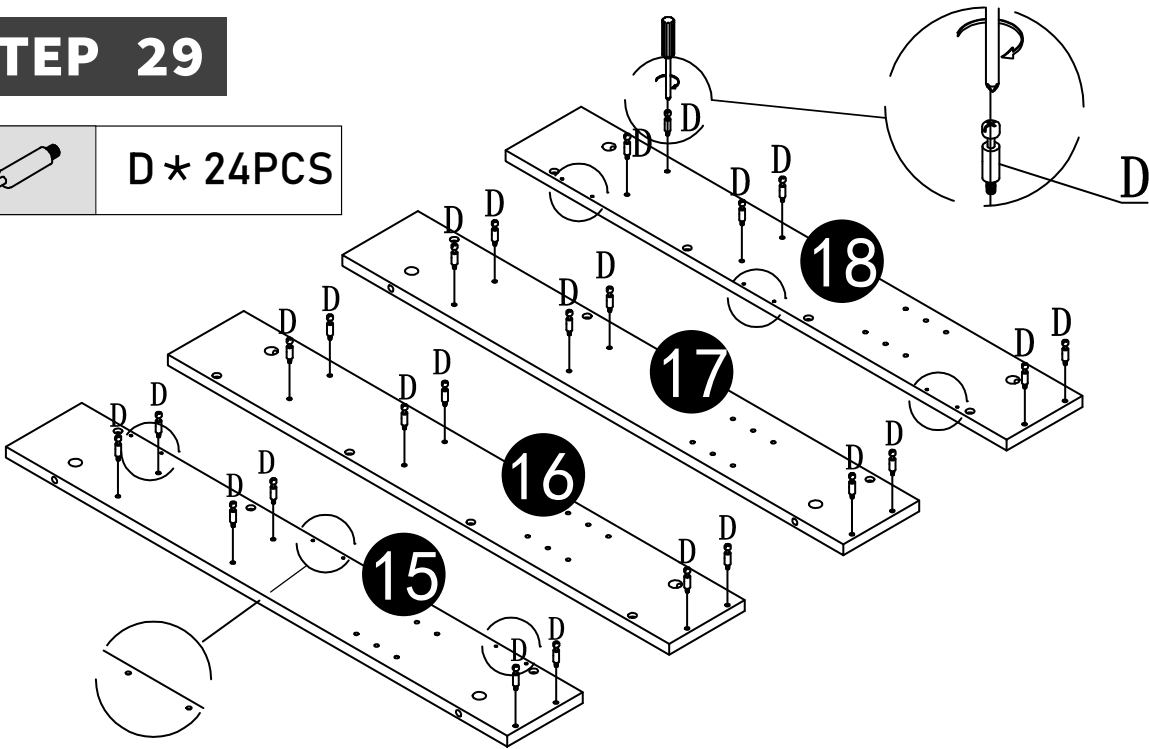
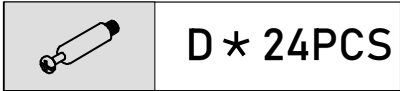
Assembly Instructions

STEP 28



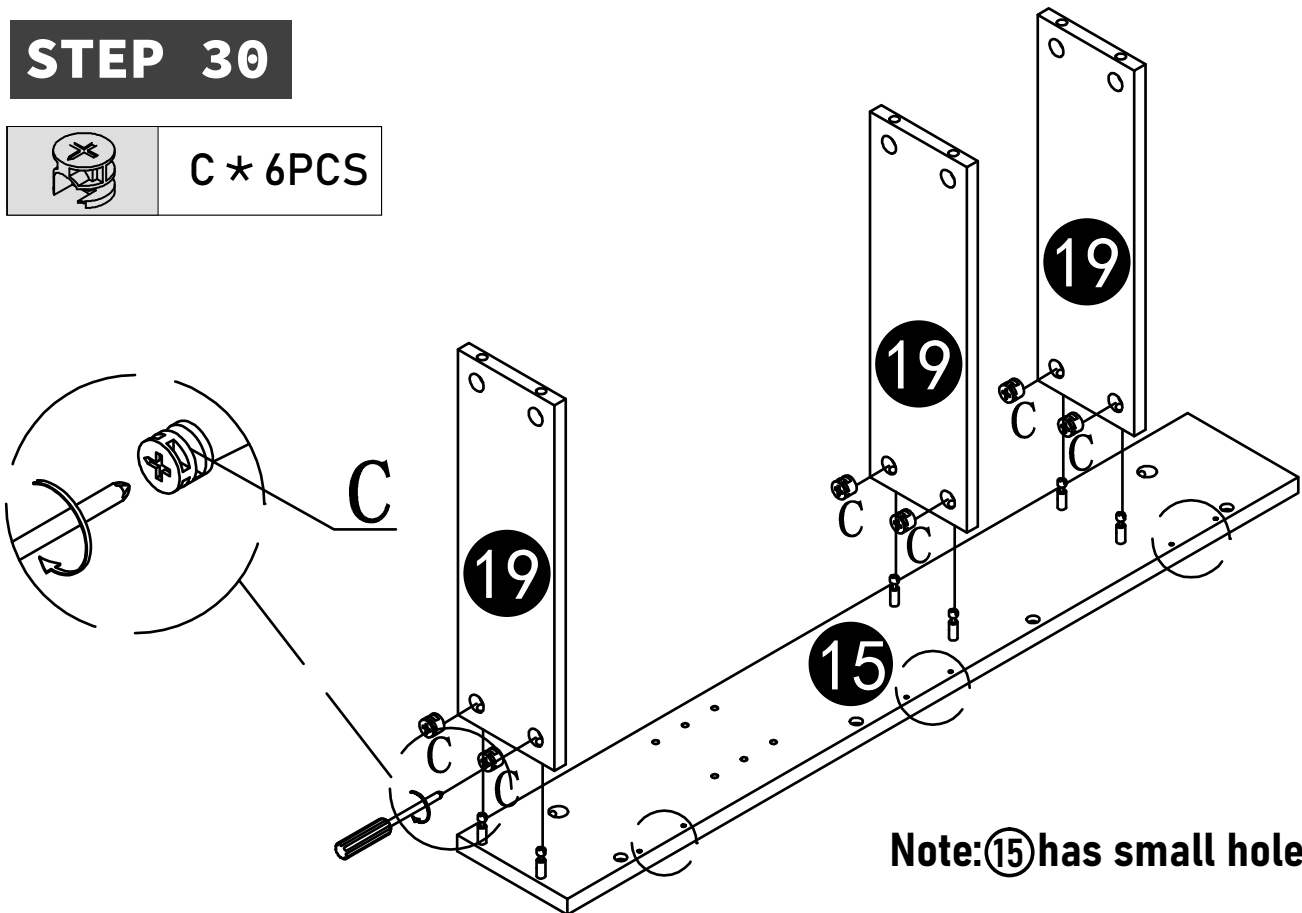
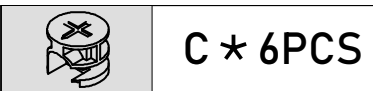
Assembly Instructions

STEP 29



Note: ⑮ and ⑱ have small holes, ⑯ and ⑰ do not have small holes, subsequent installation of ⑮ and ⑯ with assembly, ⑰ and ⑱ with assembly.

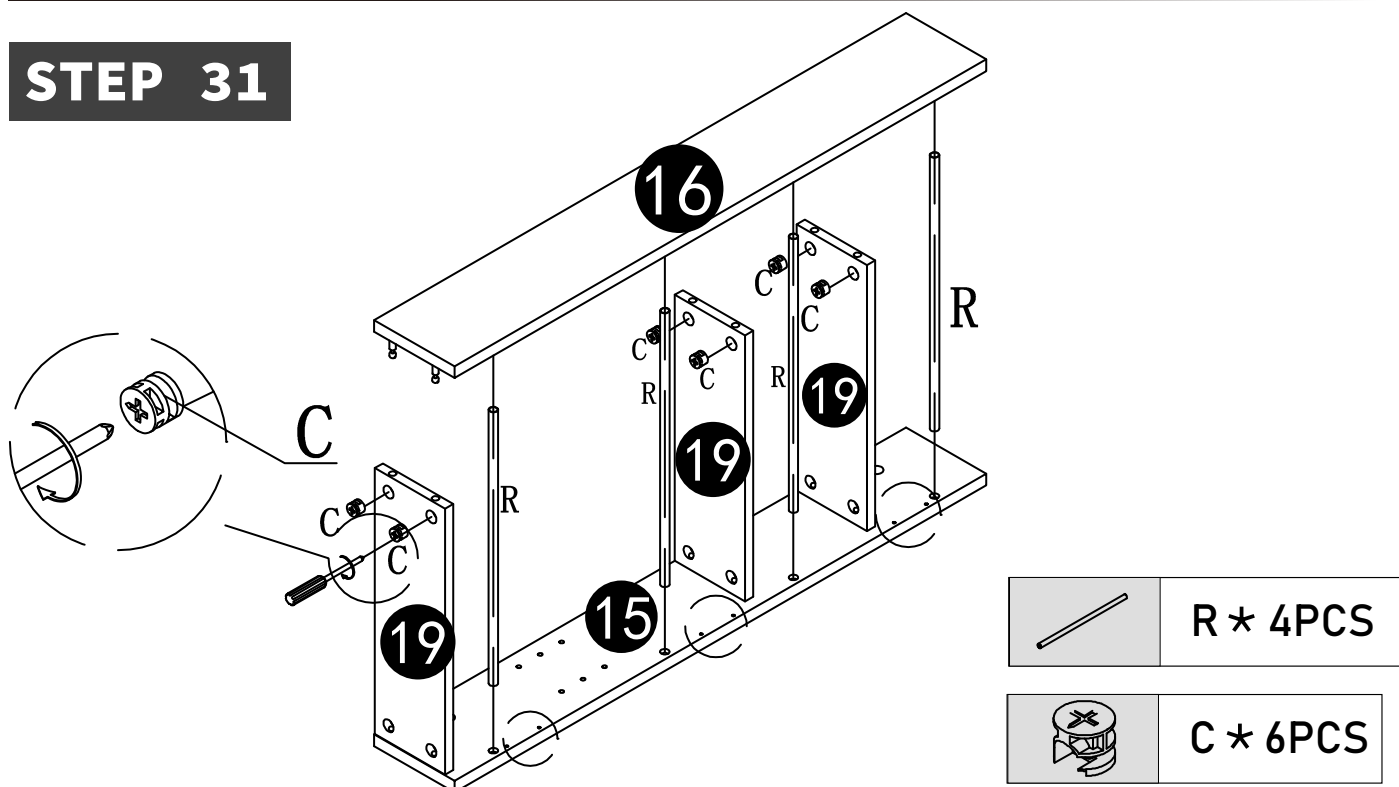
STEP 30



Note: ⑮ has small holes.

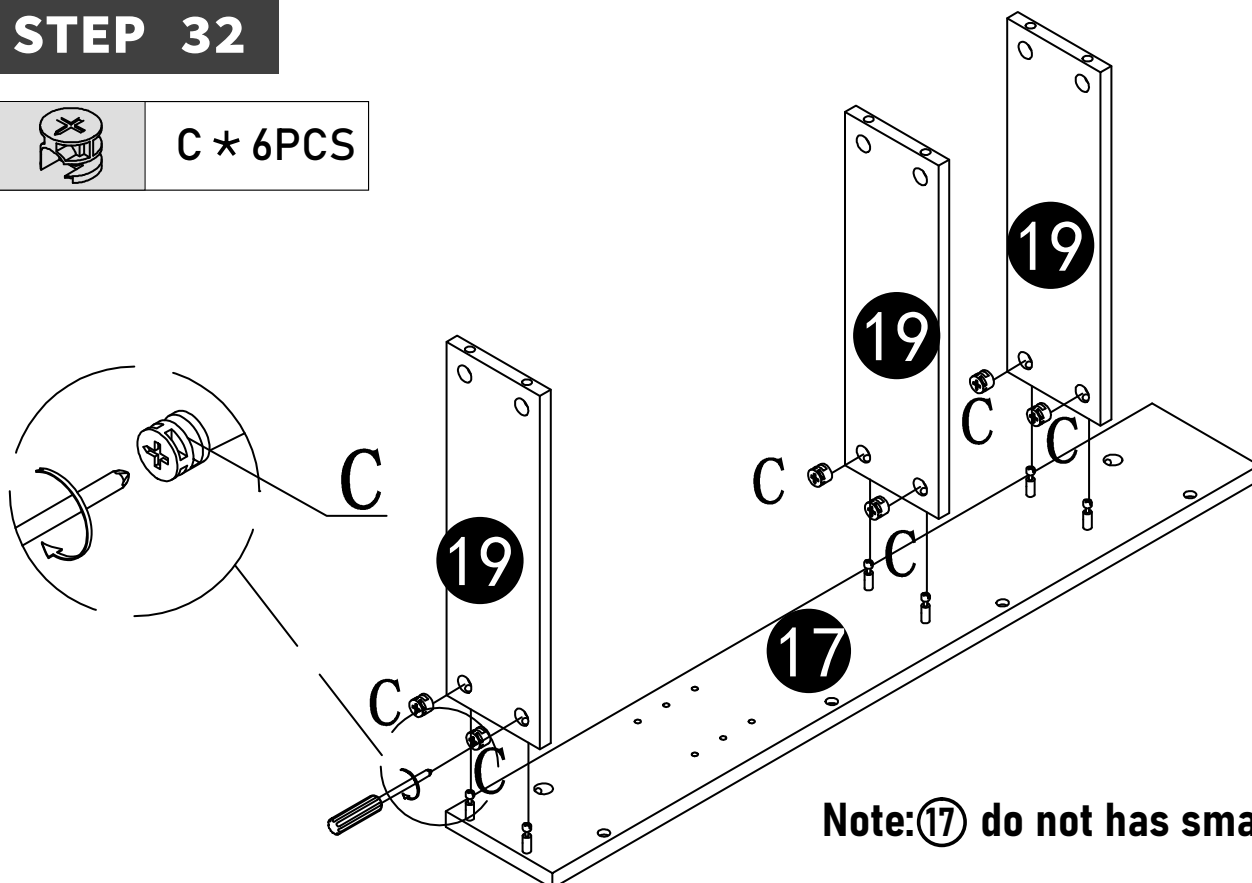
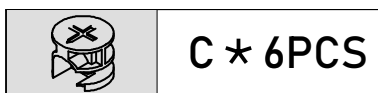
Assembly Instructions

STEP 31



Note: ⑮ has small holes, ⑯ do not has small holes, when installing ⑮ must be assembled with ⑯, otherwise the subsequent products can not be assembled.

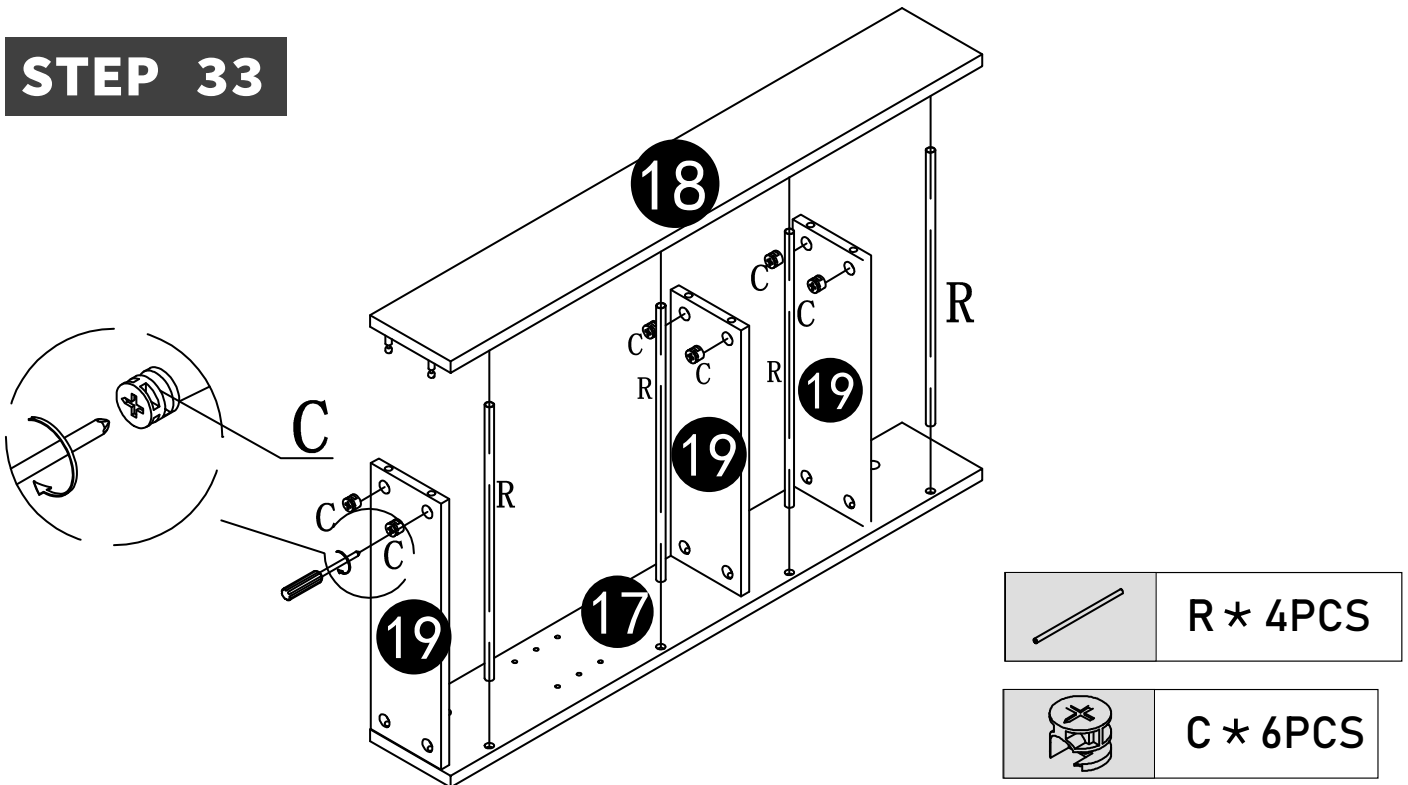
STEP 32



Note: ⑰ do not has small holes.

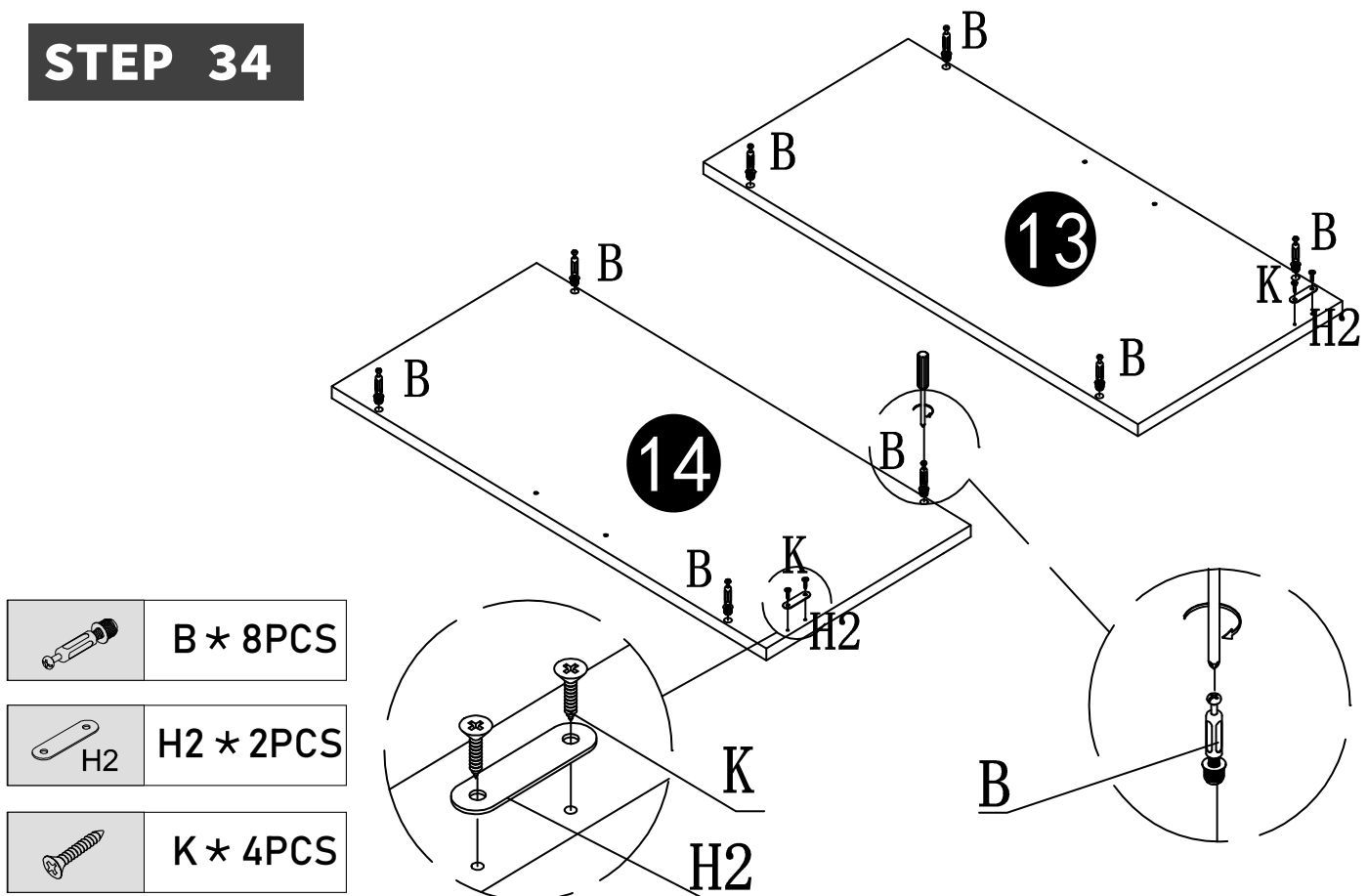
Assembly Instructions

STEP 33



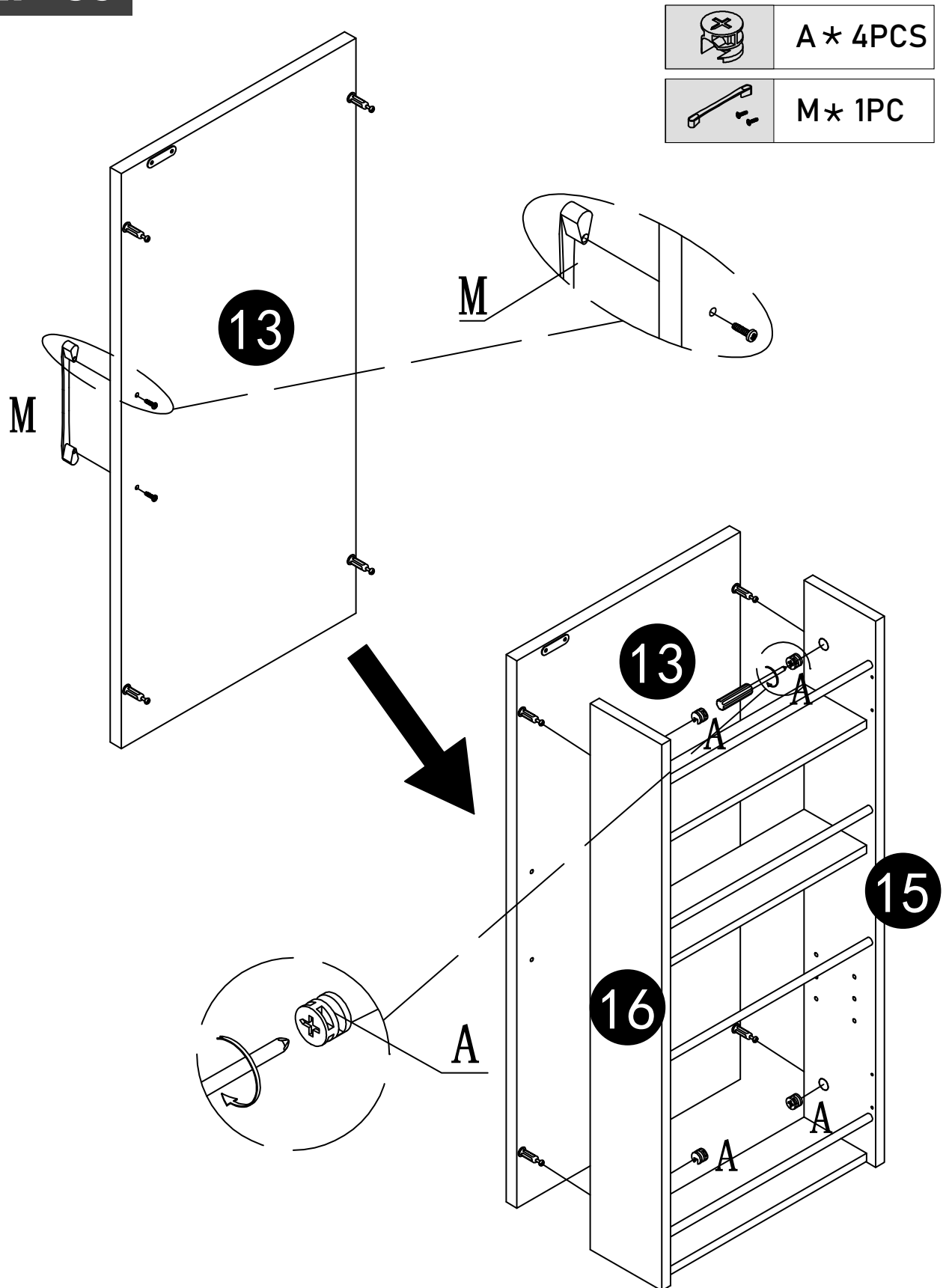
Note: ⑱ has small holes, ⑳ do not has small holes, when installing ⑳ must be assembled with ⑱, otherwise the subsequent products can not be assembled.

STEP 34



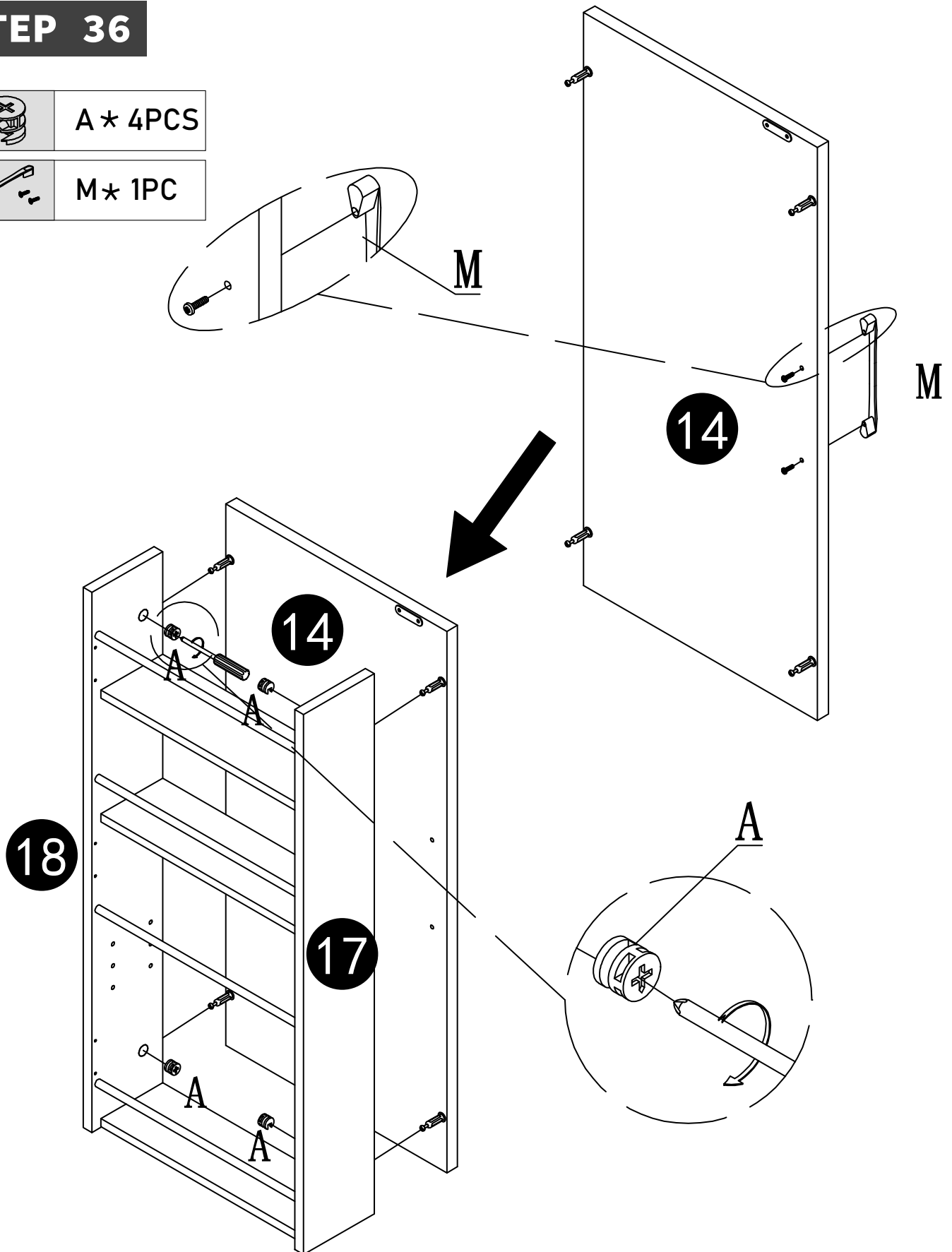
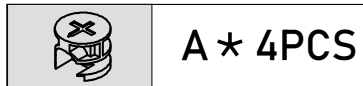
Assembly Instructions

STEP 35



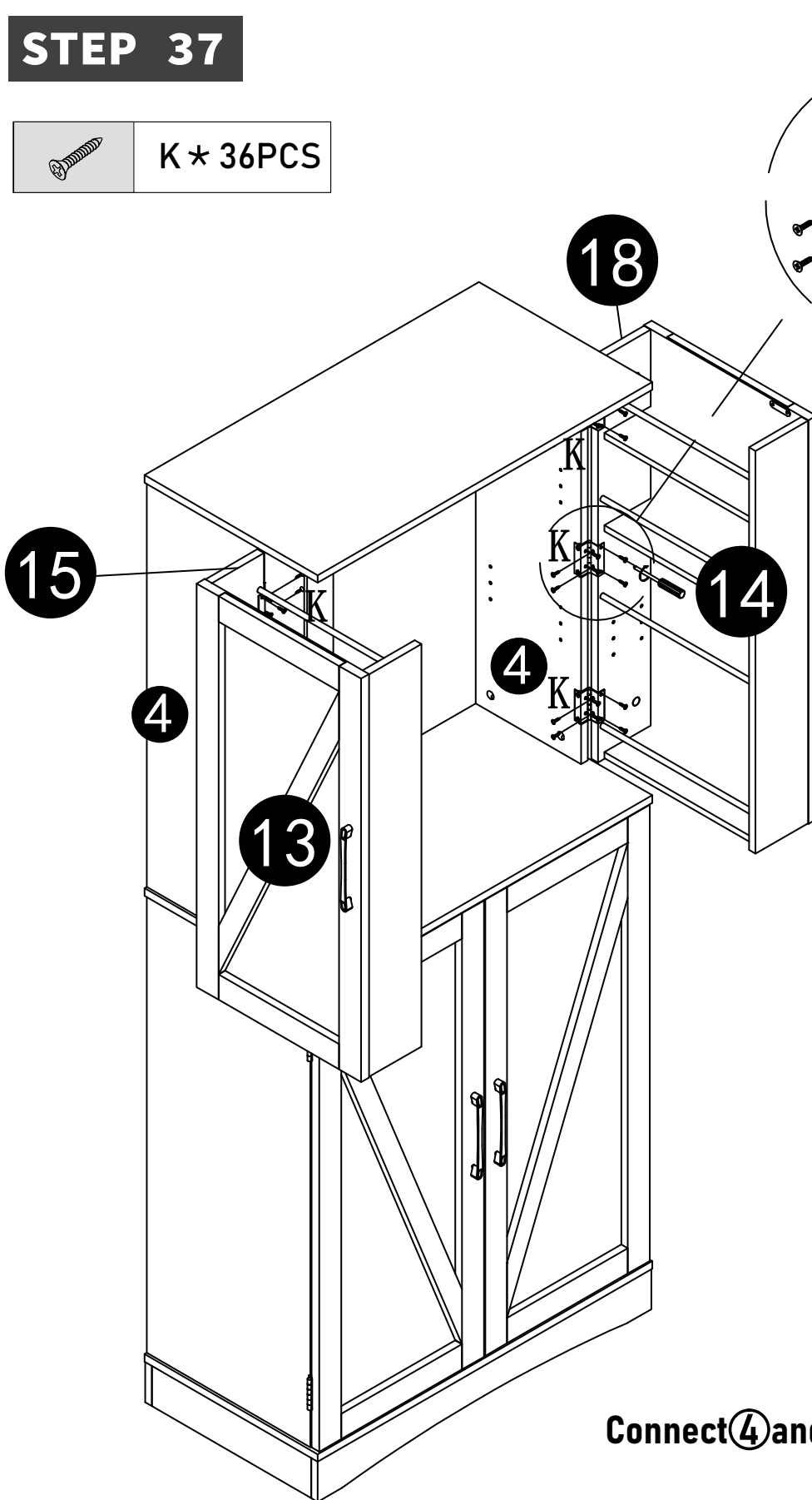
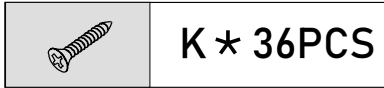
Assembly Instructions

STEP 36



Assembly Instructions

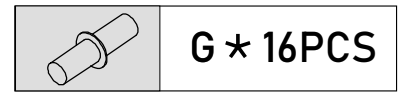
STEP 37



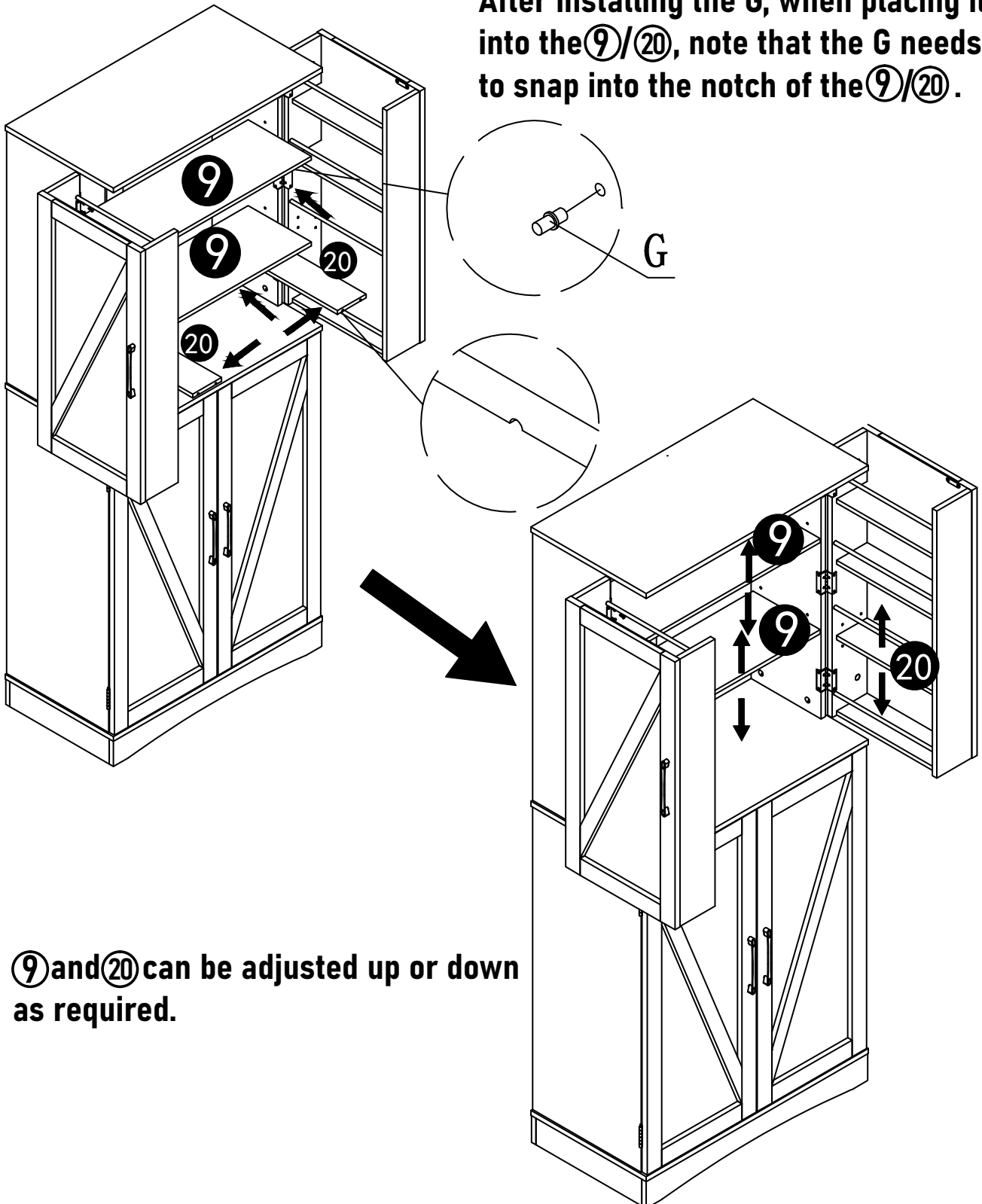
Connect ④ and ⑮, ④ and ⑱ with K.

Assembly Instructions

STEP 38



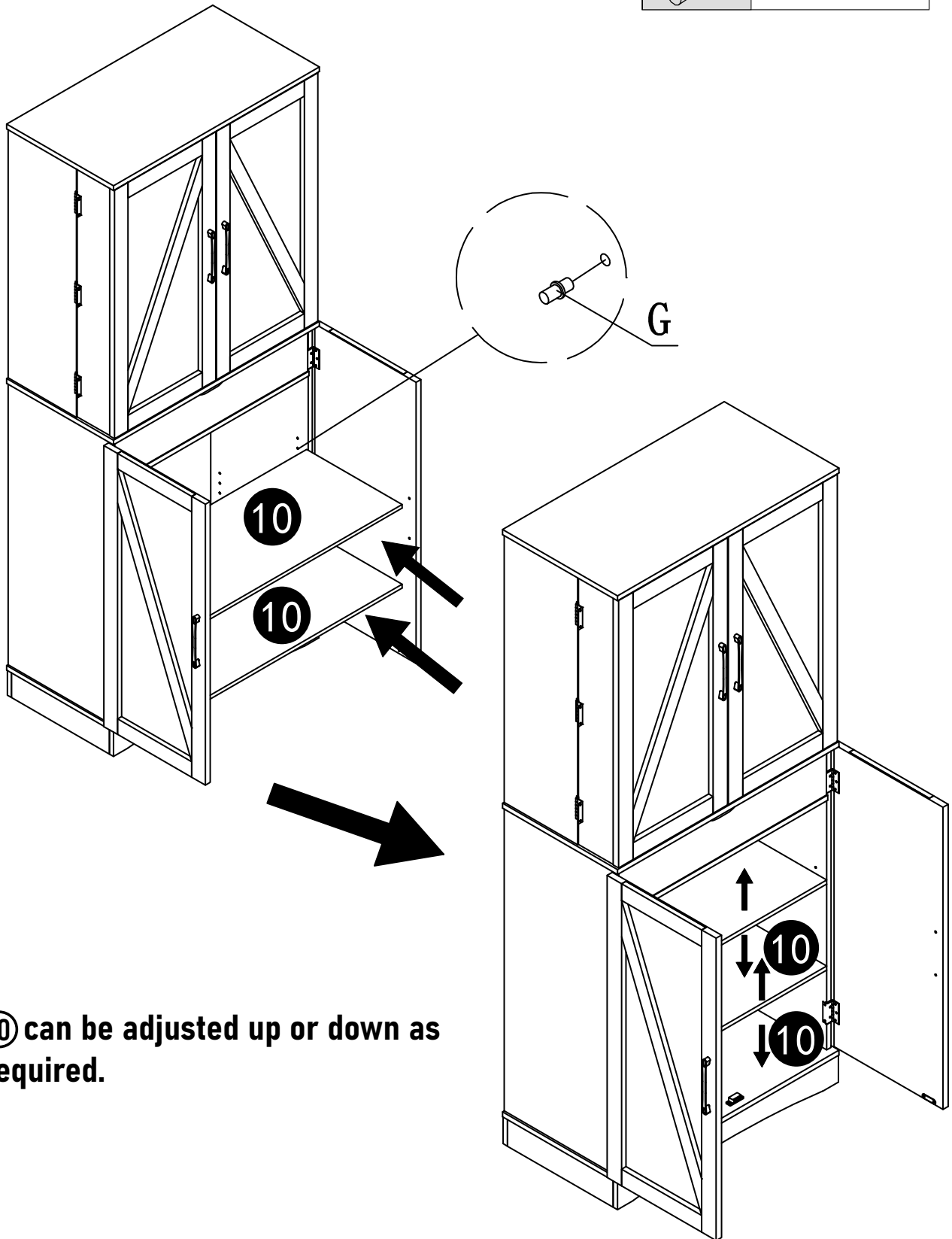
After installing the G, when placing it into the ⑨/⑳, note that the G needs to snap into the notch of the ⑨/⑳.



⑨ and ⑳ can be adjusted up or down as required.

Assembly Instructions

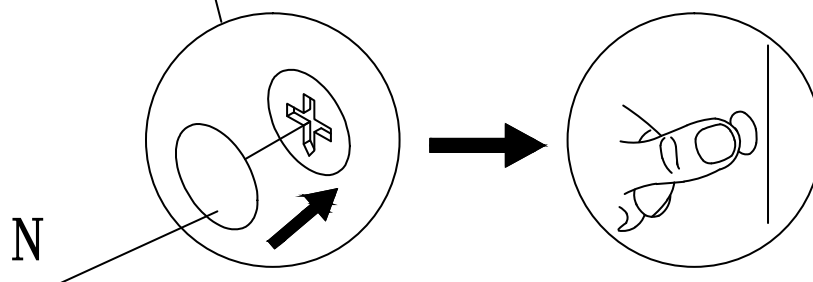
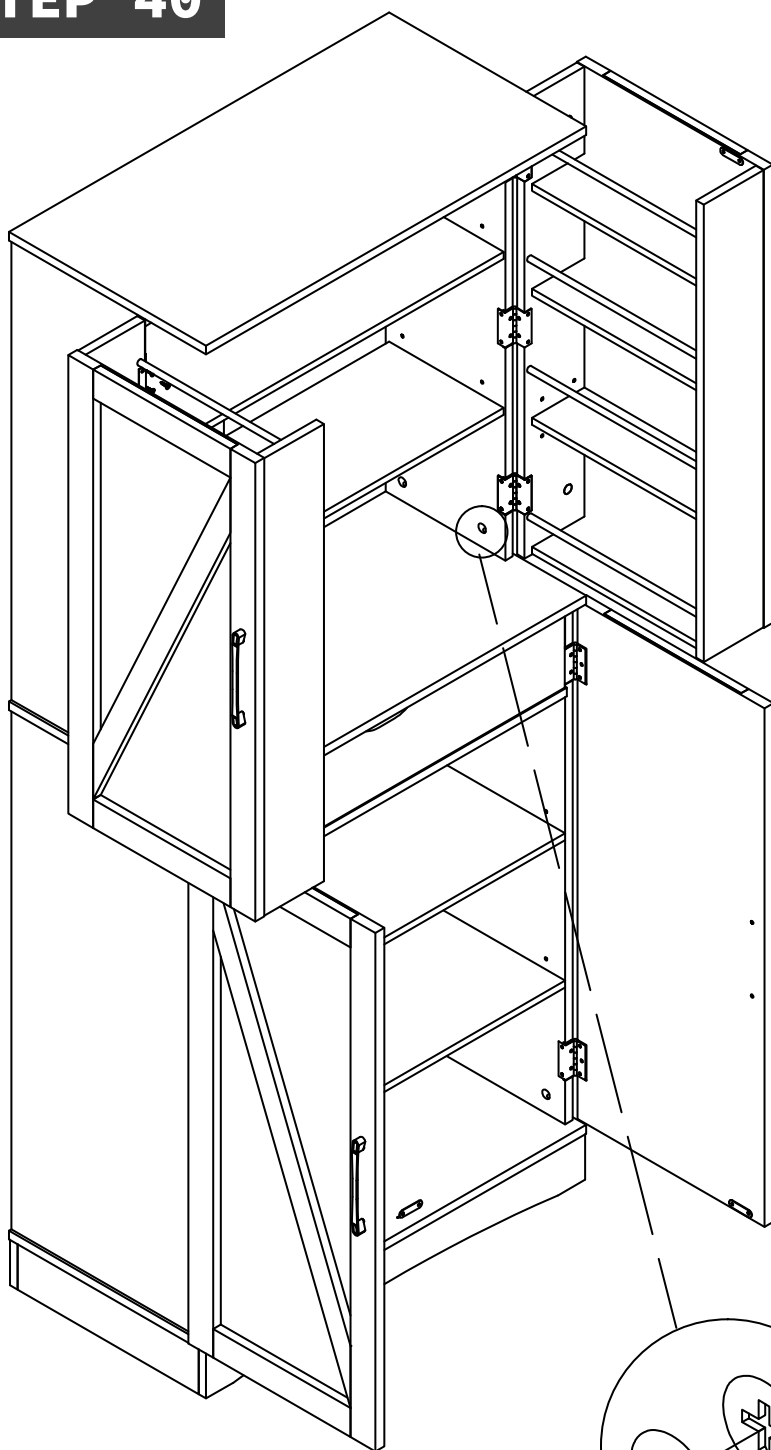
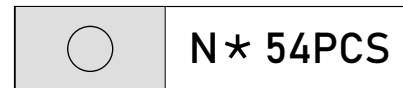
STEP 39



⑩ can be adjusted up or down as required.

Assembly Instructions

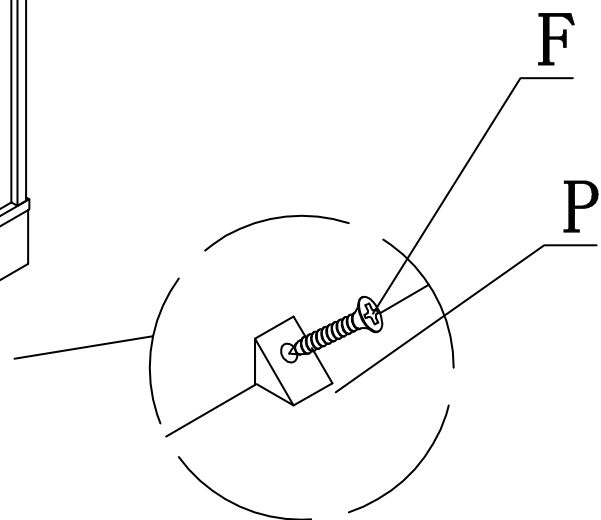
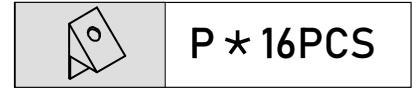
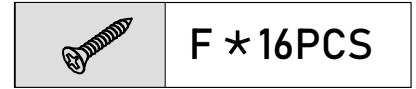
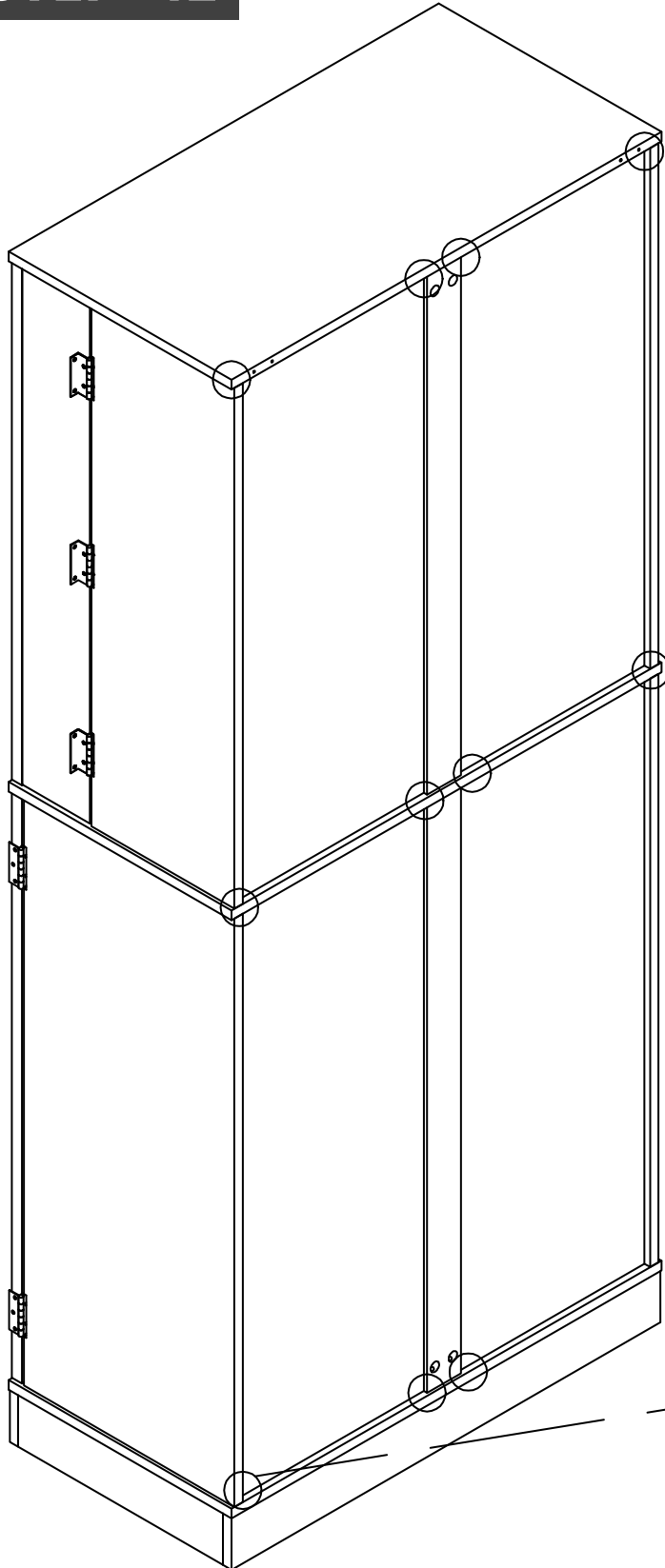
STEP 40



For aesthetics, you can tape the exposed hardware holes with N according to your needs.

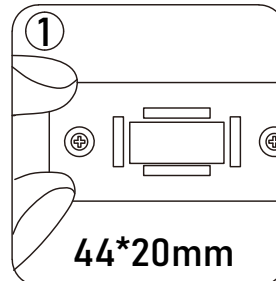
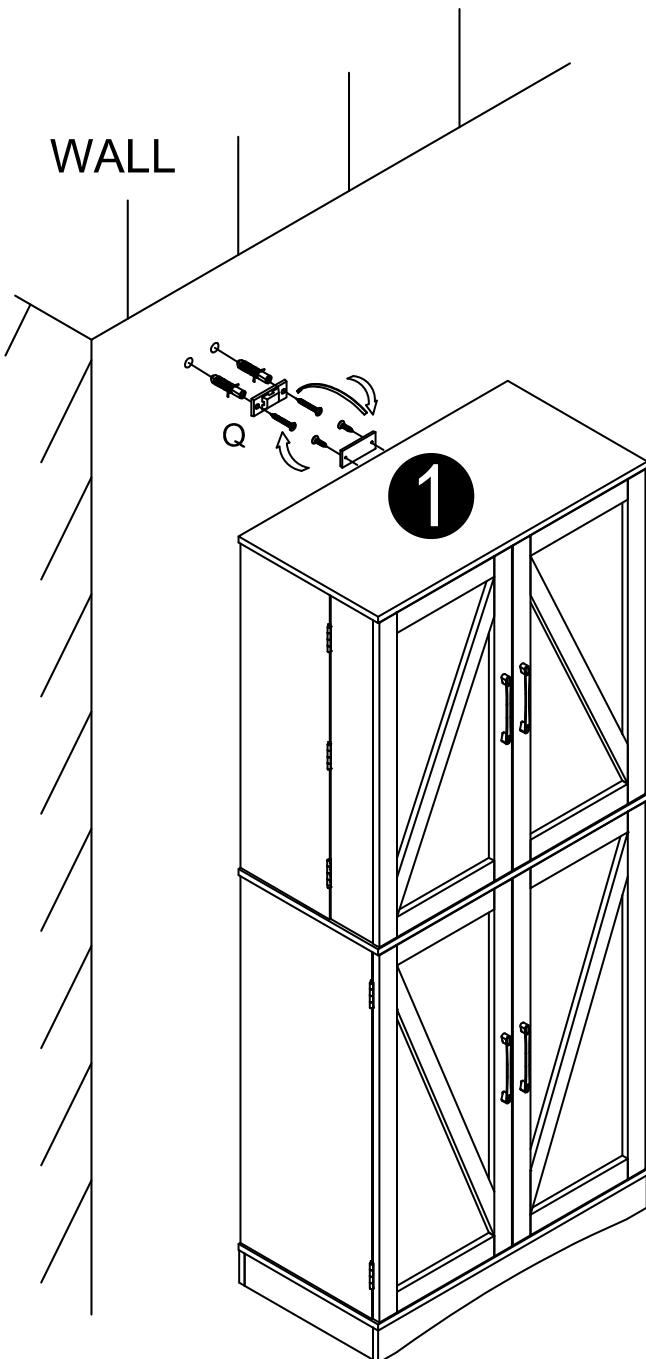
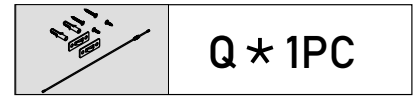
Assembly Instructions

STEP 41

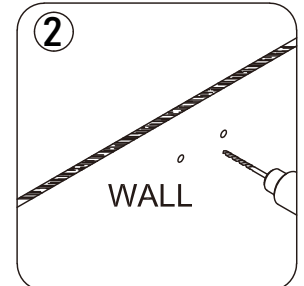


Assembly Instructions

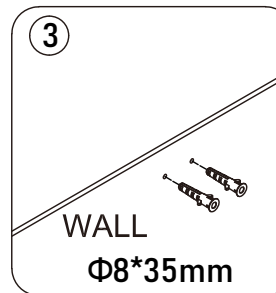
STEP 42



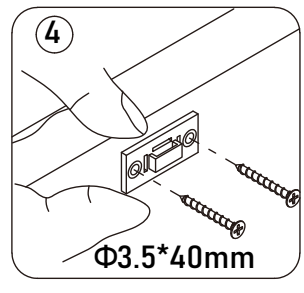
1. make mark on the wall.



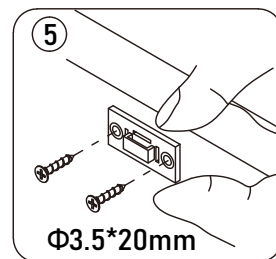
2. drill two $\text{Ø}8$ holes on the wall.



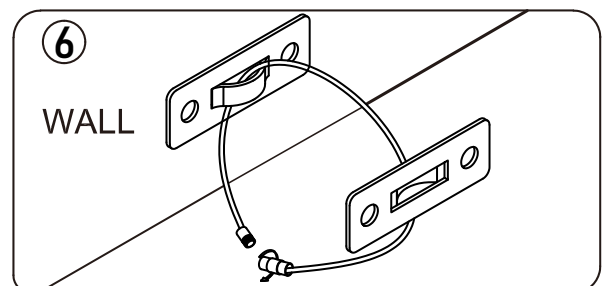
3. put two anchors in the holes.



4. fix the device on the wall by the long screws.



5. fix behind the top plate by the short screws.



6. Position the cabinet by SECURELY PUSHING ITS BASE FLUSH AGAINST THE WALL SURFACE. Align both mounting brackets in direct contact with the wall. Thread the stainless steel retention cable through both anchor points and tighten clockwise until taut.

Assembly Instructions

Anti-Tip Strap Step-by-Step Guide:

- 1.The anti-tip strap must be installed at the marked position ① on the back panel of the cabinet.
- 2.Drill wall holes at the corresponding height matching the cabinet dimensions. Install expansion anchors 8×35mm into pre-drilled holes.
- 3.Secure one anti-tip bracket 44×20mm to the wall surface using two $\Phi 3.5 \times 40$ mm self-tapping screws. Install another identical bracket to the cabinet's back panel position ① using two $\Phi 3.5 \times 20$ mm self-tapping screws.
- 4.Connect both brackets with a heavy-duty cable tie and adjust spacing to eliminate gaps.

WARNING: Anti-tip strap installation is mandatory for safe operation.

HELP CENTER

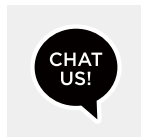
Question about your product? We're here to help. Visit us at:



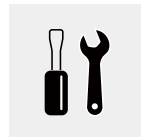
Chat Support



Product inquiry



Orders FAQ



Product Assembly



Returns & Refunds

WE STAND BEHIND THE QUALITY OF OUR FURNITURE

1. If you have any issues with your item, please let us know! We will always do our best to come up with a solution that you will be happy with.
2. Please get in touch with our customer service team before returning the product.
3. And please do not throw away the original box(es) if you have not finished assembling and confirmed no quality issues.

Length of return period:

You can return items within 30 days of purchase. In the meanwhile, everything you purchased from us comes with a one-year warranty.

Who is responsible for the return shipping fee:

We will cover the return shipping fees if:

1. Your item has a manufacturing defect in materials or workmanship. For example, torn wicker or misaligned screw holes. We will send you a prepaid shipping label after you send us photos or videos of the defect.
2. Your item has been damaged in transit. For example, glass is broken or product is damaged. We will send you a prepaid shipping label after you send us photos of the damage.
3. You receive the wrong box(es) due to a warehouse error. We will send you a prepaid shipping label after you send us photos of the wrong SKU numbers on the outer box(es).
4. One or more boxes are lost in transit. We will send you a prepaid shipping label if you no longer want the item.

* However, we still hope to work with you for a better solution instead of a return. Please don't hesitate to contact our customer service team.

Customer will cover the return shipping fees if:

- 1.You don't like the product(s) after receiving the box(es).
- 2.You no longer need the product(s) but have received the box(es).
- 3.You buy the product(s) by mistake but have received the box(es).
- 4.Order/shipment cancellation failed, and you have received the box(es).

Return Request

In order to get a full refund as described in this return policy, all items must be:

- 1.In a brand new/unused condition.

Please provide photos before and after packaging.

- 2.When returning, all accessories and parts must be firmly packed in all original packaging. If your return does not meet these requirements, you may not receive a full refund.

When will I be refunded?

The refund is issued once the goods have been returned to our warehouse.

What if the product is damaged/defective outside of the valid return period?

We want you to be a happy customer. Please reach out to us via email, and we will work on a solution to ensure your satisfaction.

After Sales Service

If any problem occurs, you can check the manual for troubleshooting in detail, or contact to our customer service on Amazon.

To contact authorized Amazon seller, please following steps:

Step1	Go to Your Orders. Find your order in the list.
Step2	Click "Ask a question". (Or go to the product detail page, select the name of the seller. On the next page, select "Ask a Question").
Step3	Select the product and tap "Other" options in the Seller Messaging Assistant chat.
Step4	Send the message to us for after-sales support.

We always work hard to serve you and provide you a better customer experience. Customer service:

Customer service: Wolfthontech1@gmail.com

Please attach follow purchase info in the message:

Order ID:

Model:

Purchase Date.

Buyer Name.

Please feel free to send us the text or email. We will reply to you within 24 hours. Also please feel free to contact us if you have received the defective items.

SAVE THESE INSTRUCTIONS