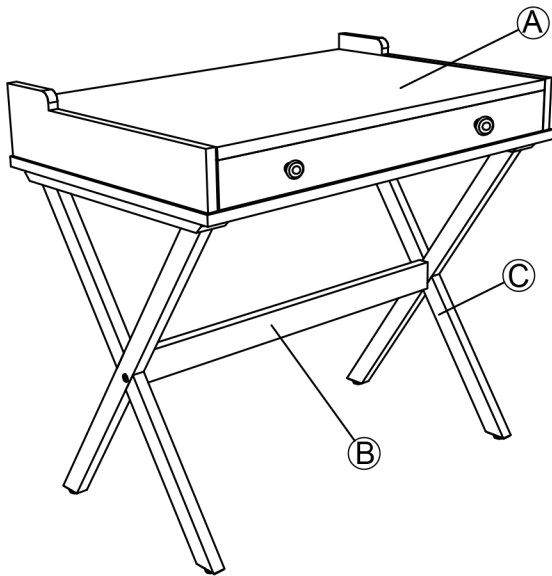





CHAIR & TABLE COMPANY







ASSEMBLY INSTRUCTION

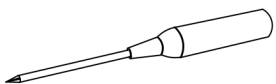


PARTS CHECK LIST

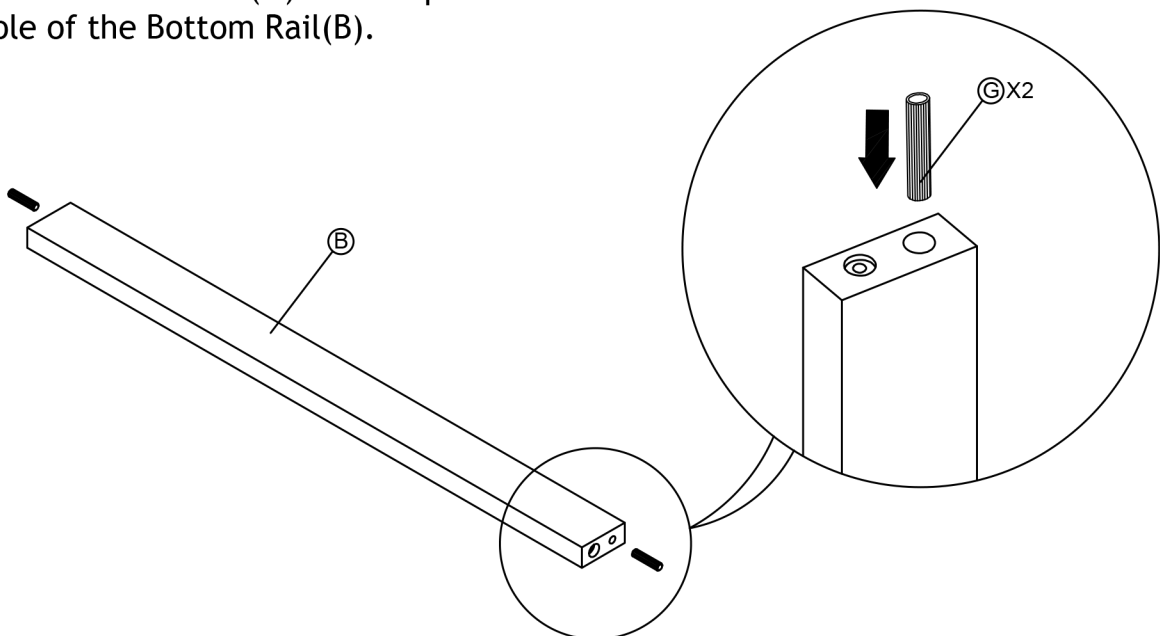
CODE	COMPONENTS	Q'TY
(A)	BOX TOP 	x01
(B)	BOTTOM RAIL 	x01
(C)	LEG 	x02

FITTINGS CHECK LIST

CODE	DESCRIPTION	Q'TY
(D)	 JCBC M6 X 60MM(BLK)	x02
(E)	 FLAT WASHER Ø1/4 x 13mm (BLK)	x04
(F)	 JCBC M6 X 35MM(BLK)	x04
(G)	 WOOD DOWEL M8 X 35MM	x02
(H)	 ALLEN KEY M4 X 100MM	x01
(I)	 SPRING WASHER M6	x06

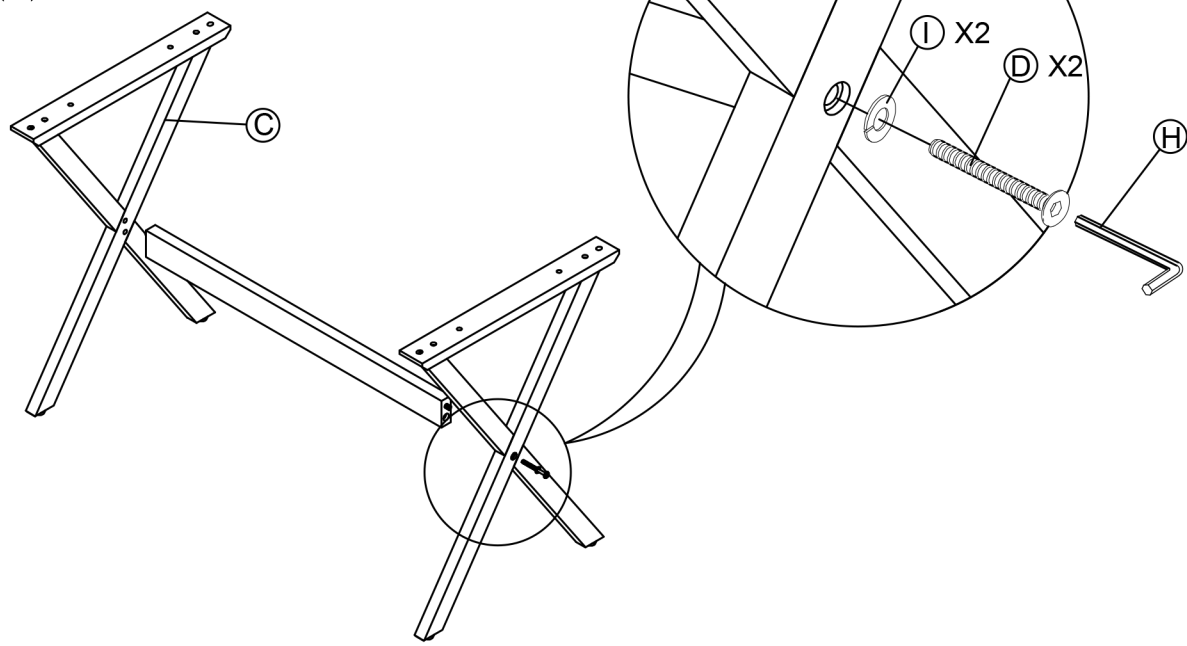

PHILLIPS HEAD SCREWDRIVER
TOOL NEEDED (NOT INCLUDED)

1. Insert Wood dowel(G) into the predilled hole of the Bottom Rail(B).



2.

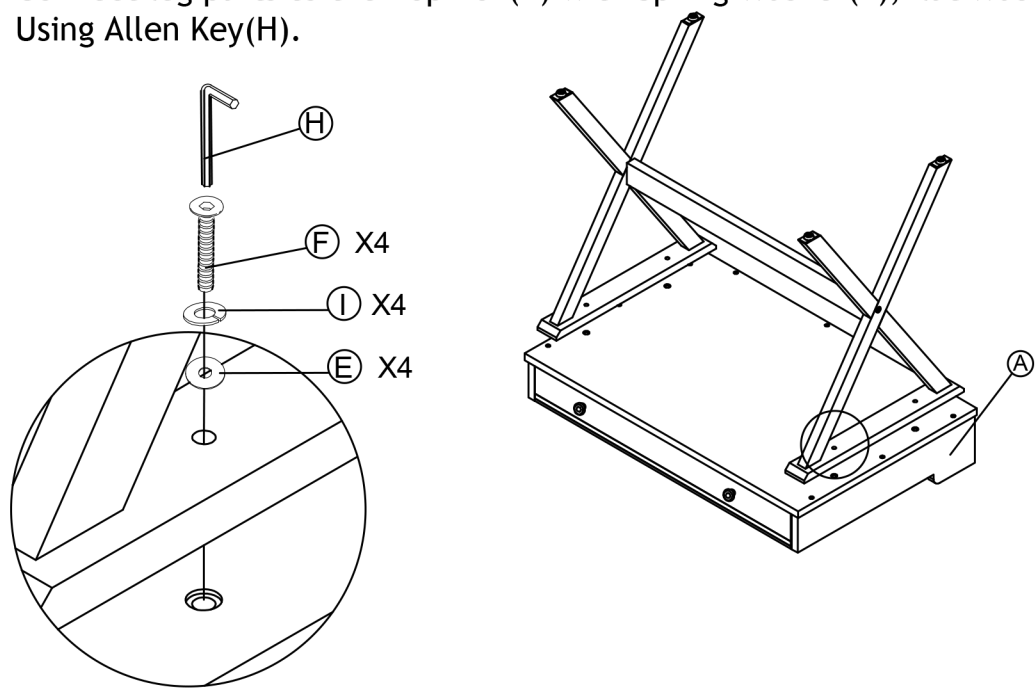
Connect the Bottom rail to Legs(C) with Spring washer(I) and JCBC(D) using Allen Key(H).



•DO NOT TIGHTEN ALL BOLTS/SCREWS UNTIL ALL COMPLETELY ASSEMBLED

3.

Connect leg parts to the Top Box(A) with Spring Washer(E), Flat Washer(I) and JCBC(F) Using Allen Key(H).



• TIGHTEN 100% ALL BOLTS/SCREWS AND TURN IT UPRIGHT.

