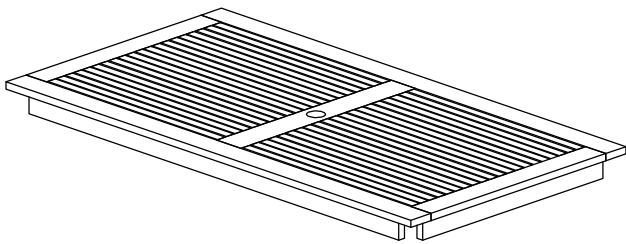


NOTE: 50% TIGHTEN BEFORE FIXING ALL BOLTS & SCREWS

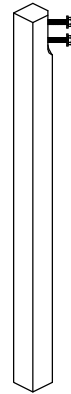
COMPONENTS LIST

I




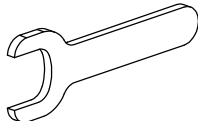
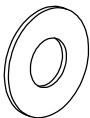
Q'TY 1

II

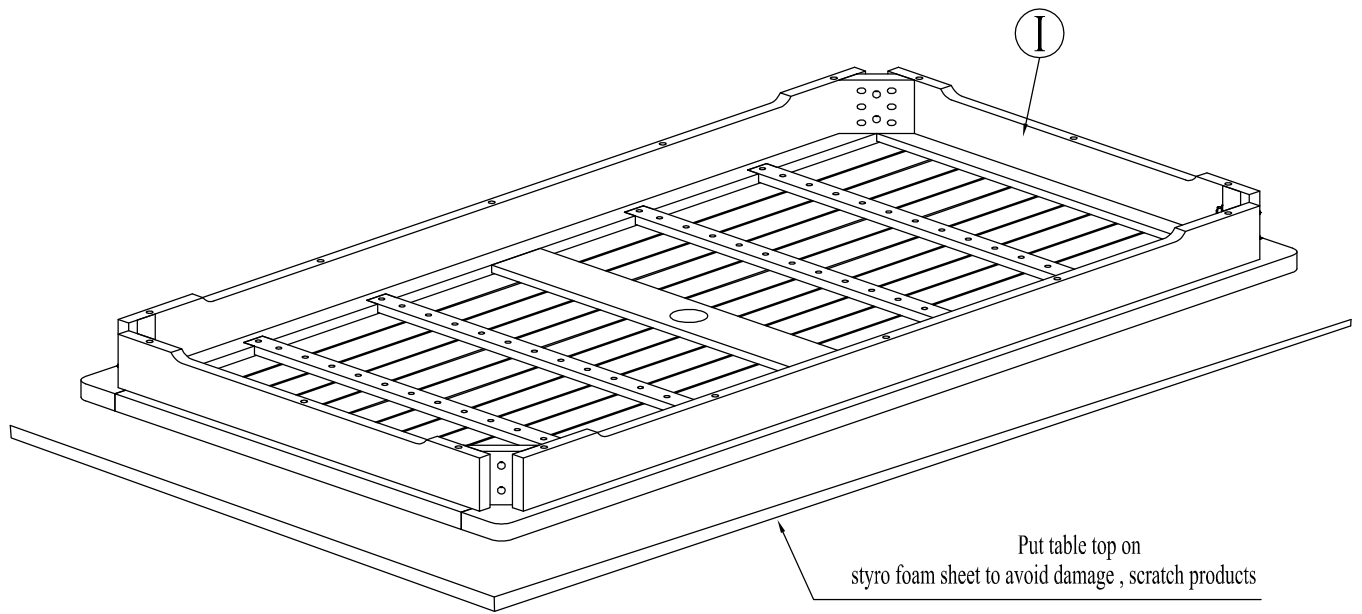


Q'TY 4

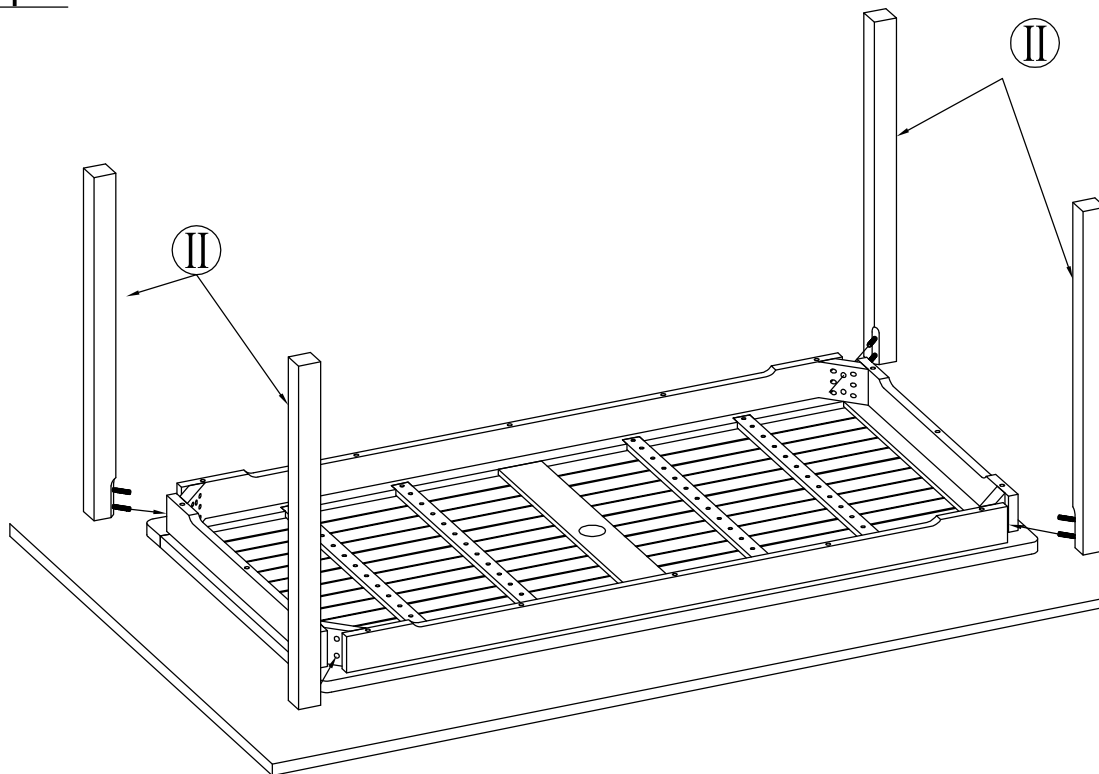
HARDWARE LIST

A		8	Hex. Nut	C		1	Spanner
B		8	Washer				

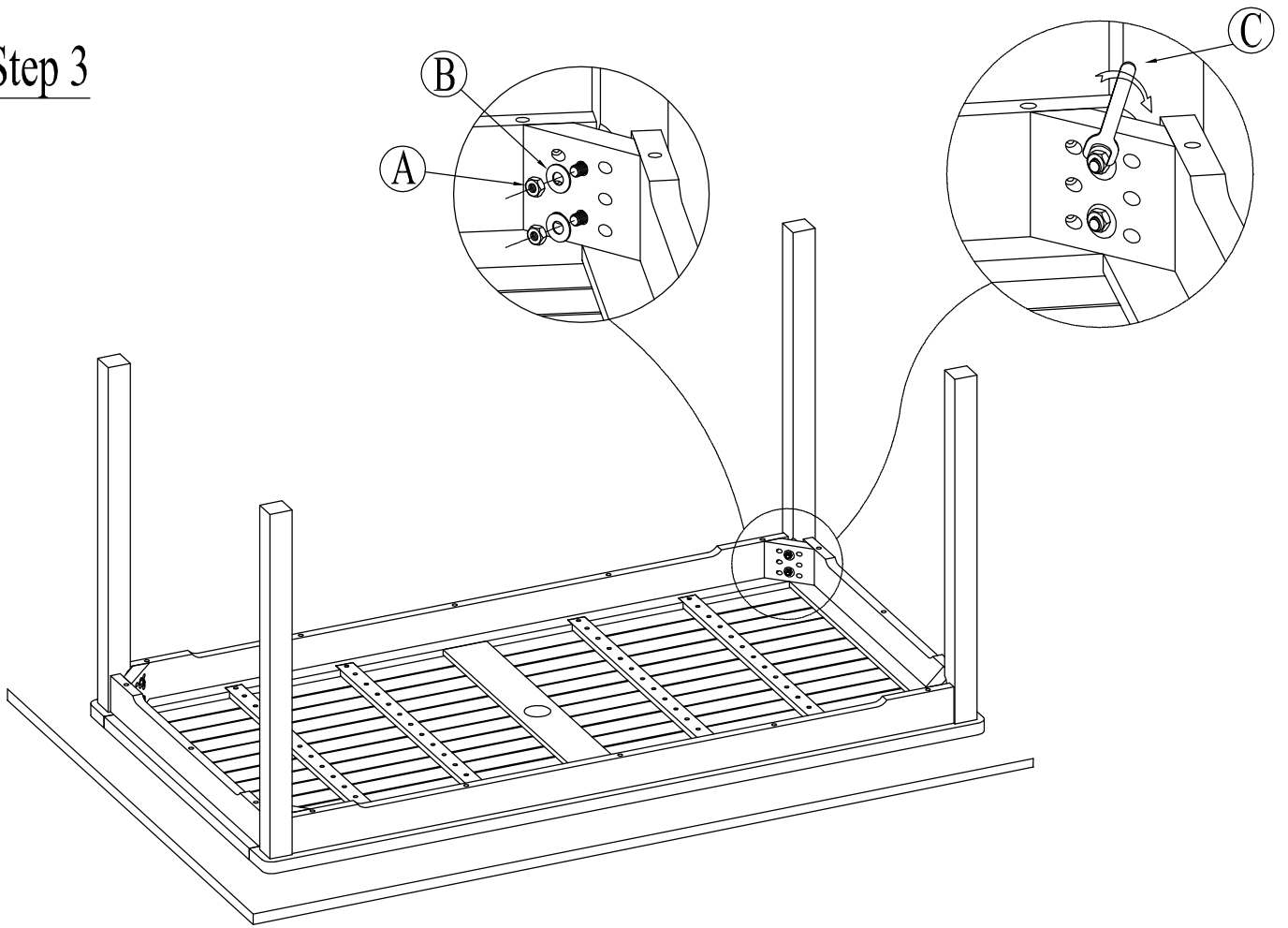
Step 1



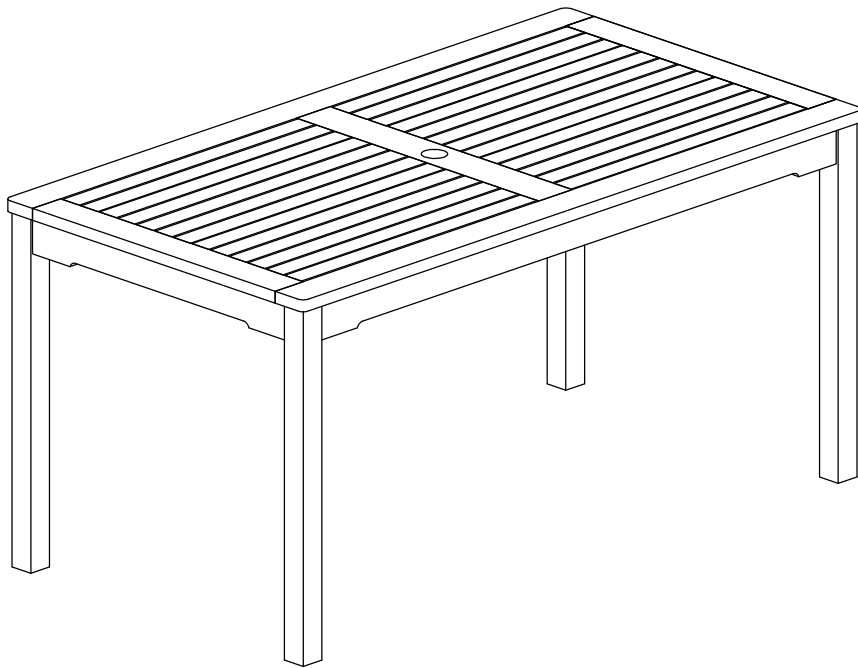
Step 2

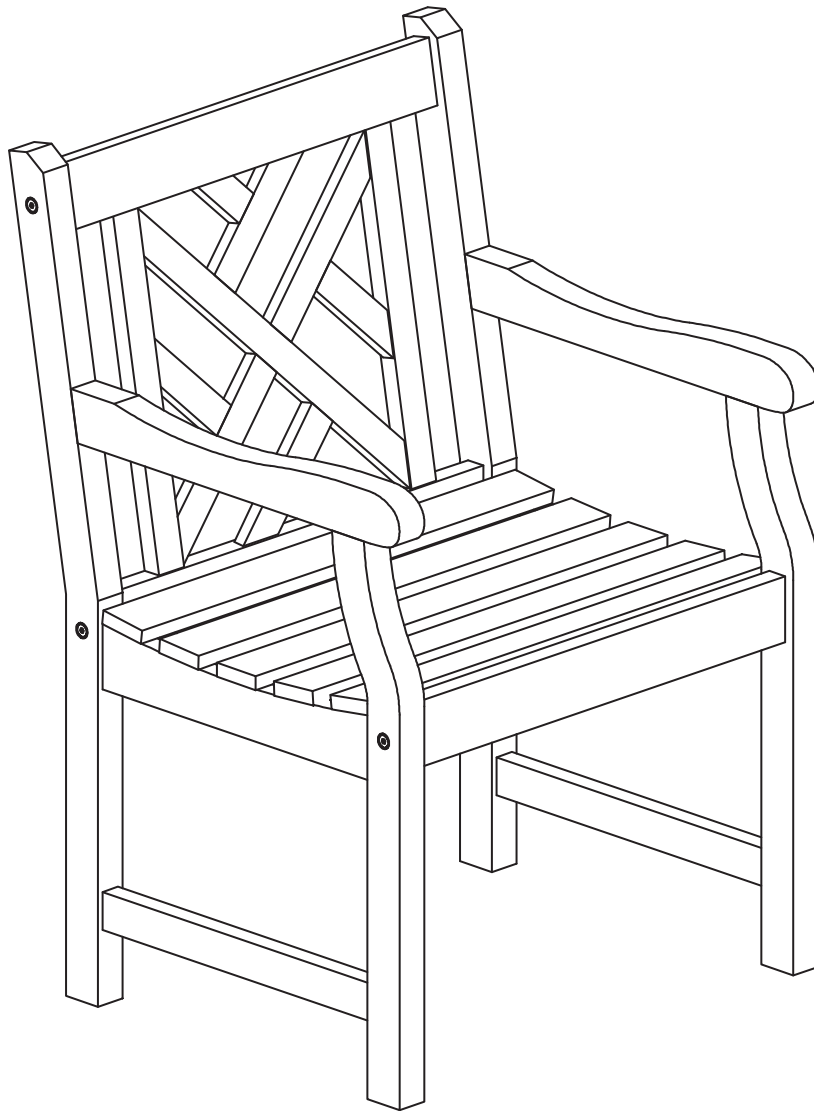


Step 3



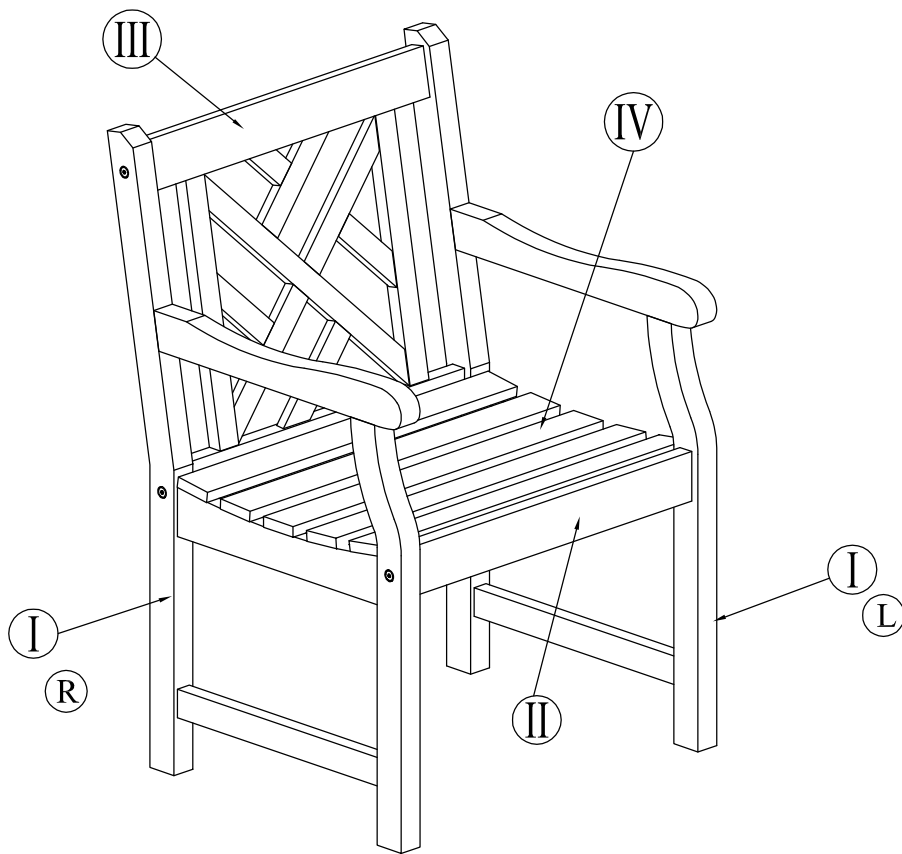
Step 4





Maximum capacity : 110 kgs/242 Lbs





NOTE: 50% TIGHTEN BEFORE FIXING ALL BOLTS & SCREWS

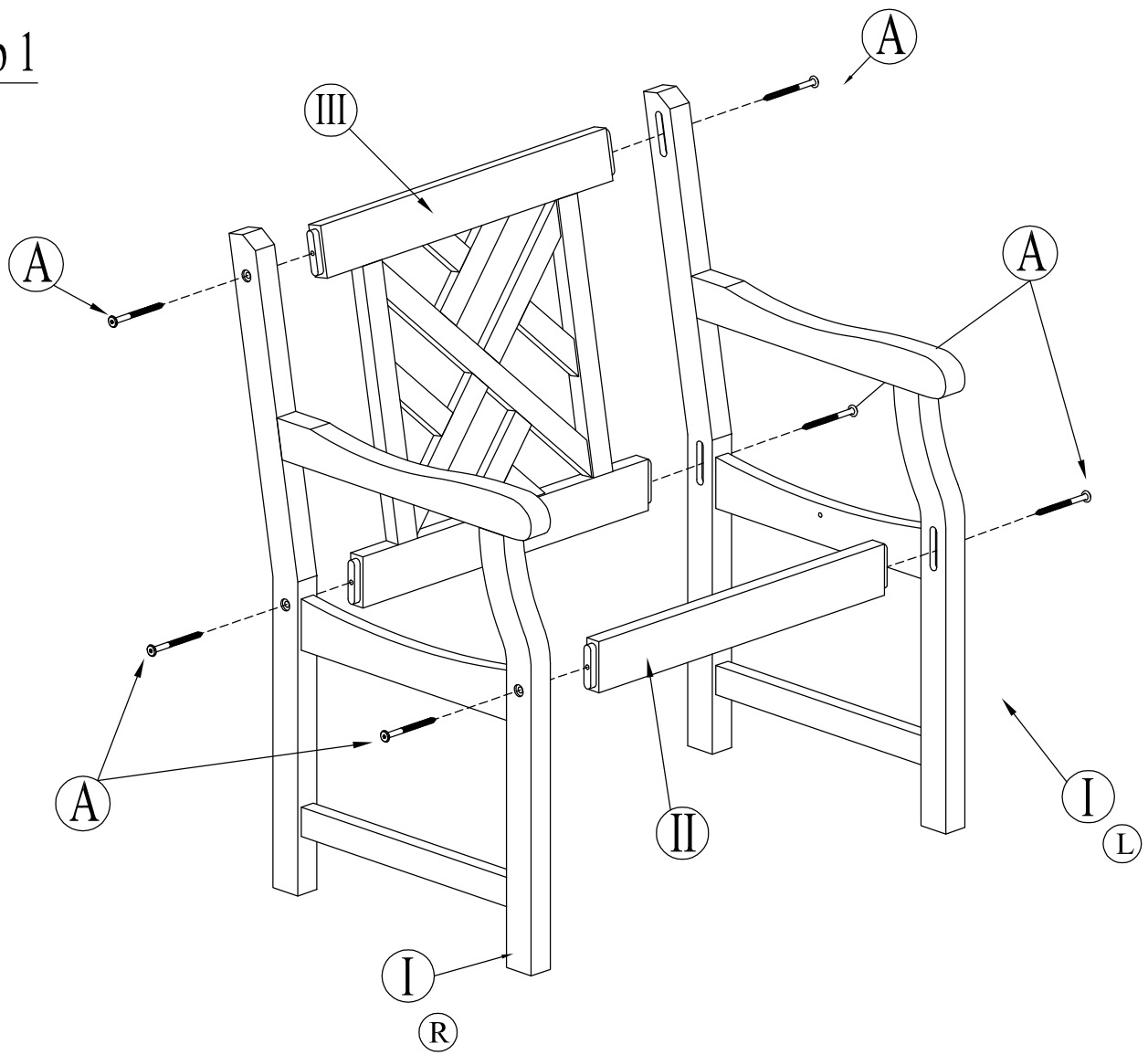
COMPONENTS LIST

<p>Ⓘ</p> <p>Ⓡ Ⓛ</p> <p>Q'TY 2 (Right & Left)</p>	<p>Ⓜ</p> <p>QTY 1</p>	<p>Ⓜ</p> <p>QTY 1</p>
<p>Ⓜ</p> <p>QTY 1</p>		

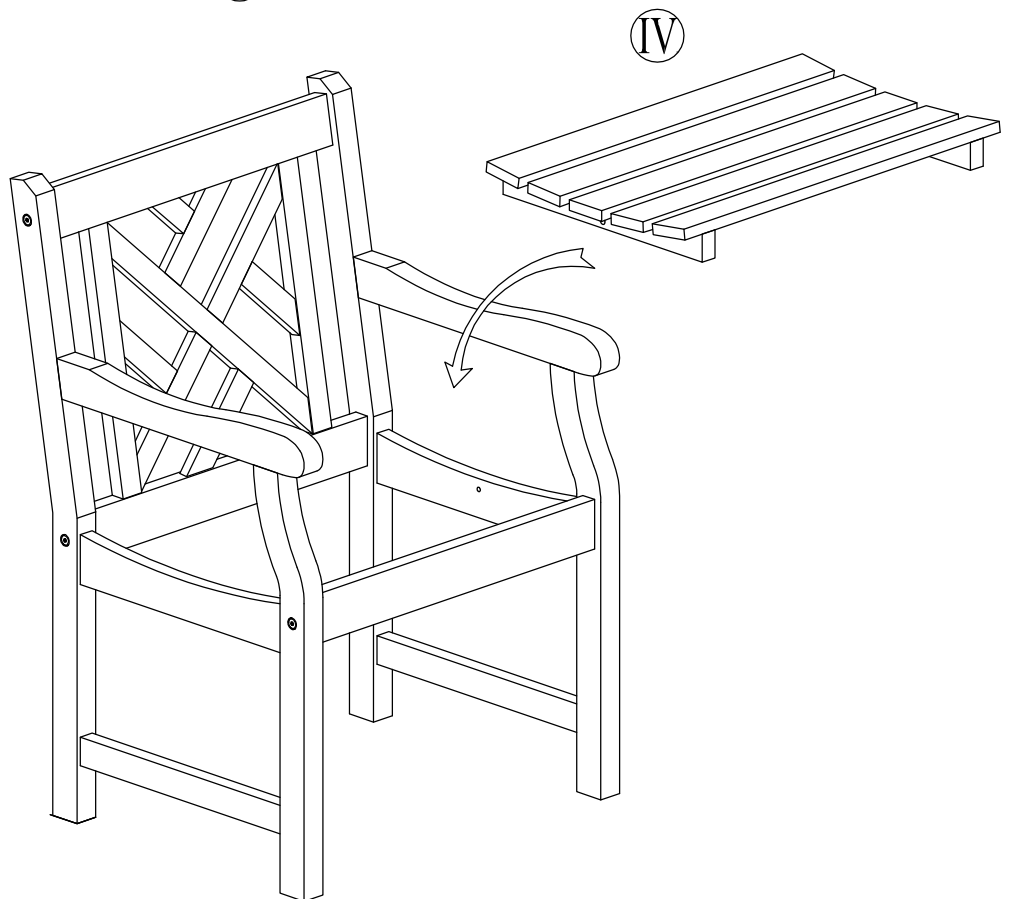
HARDWARE LIST

A		6	Screw 7 x 90	C		2	Allen Key
B		2	Screw 7x40				

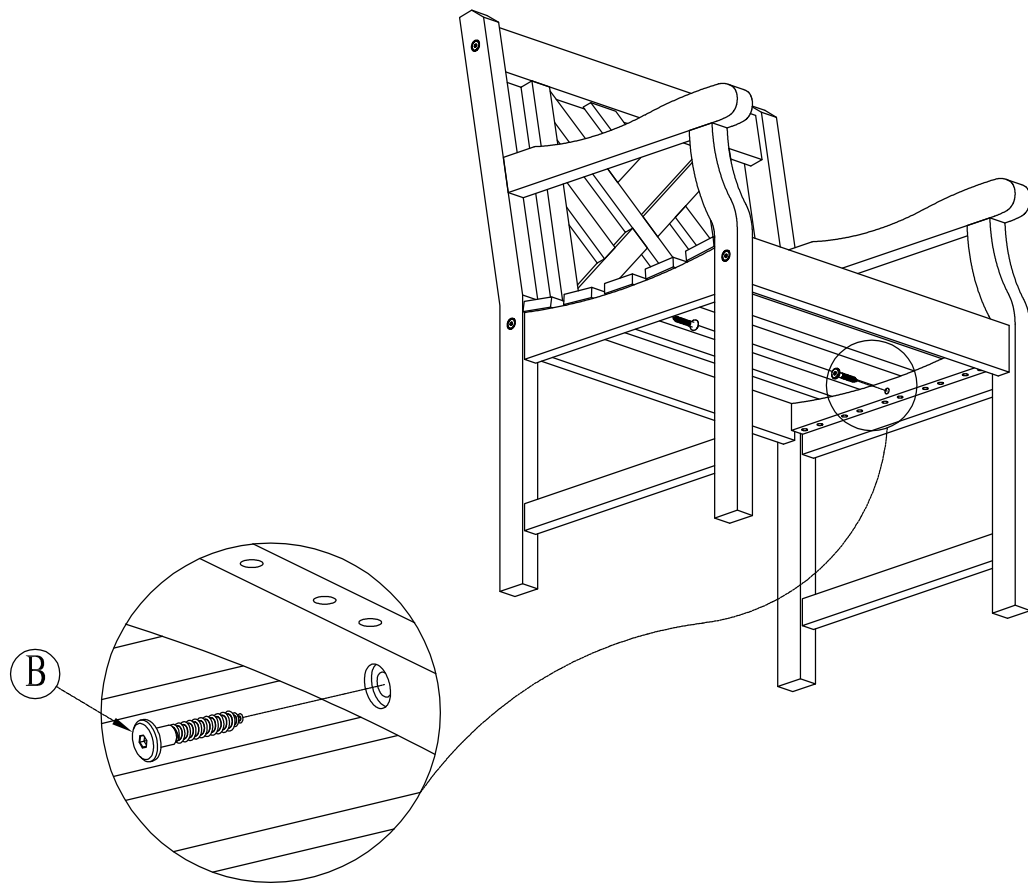
Step 1



Step 2



Step 3



Step 4

