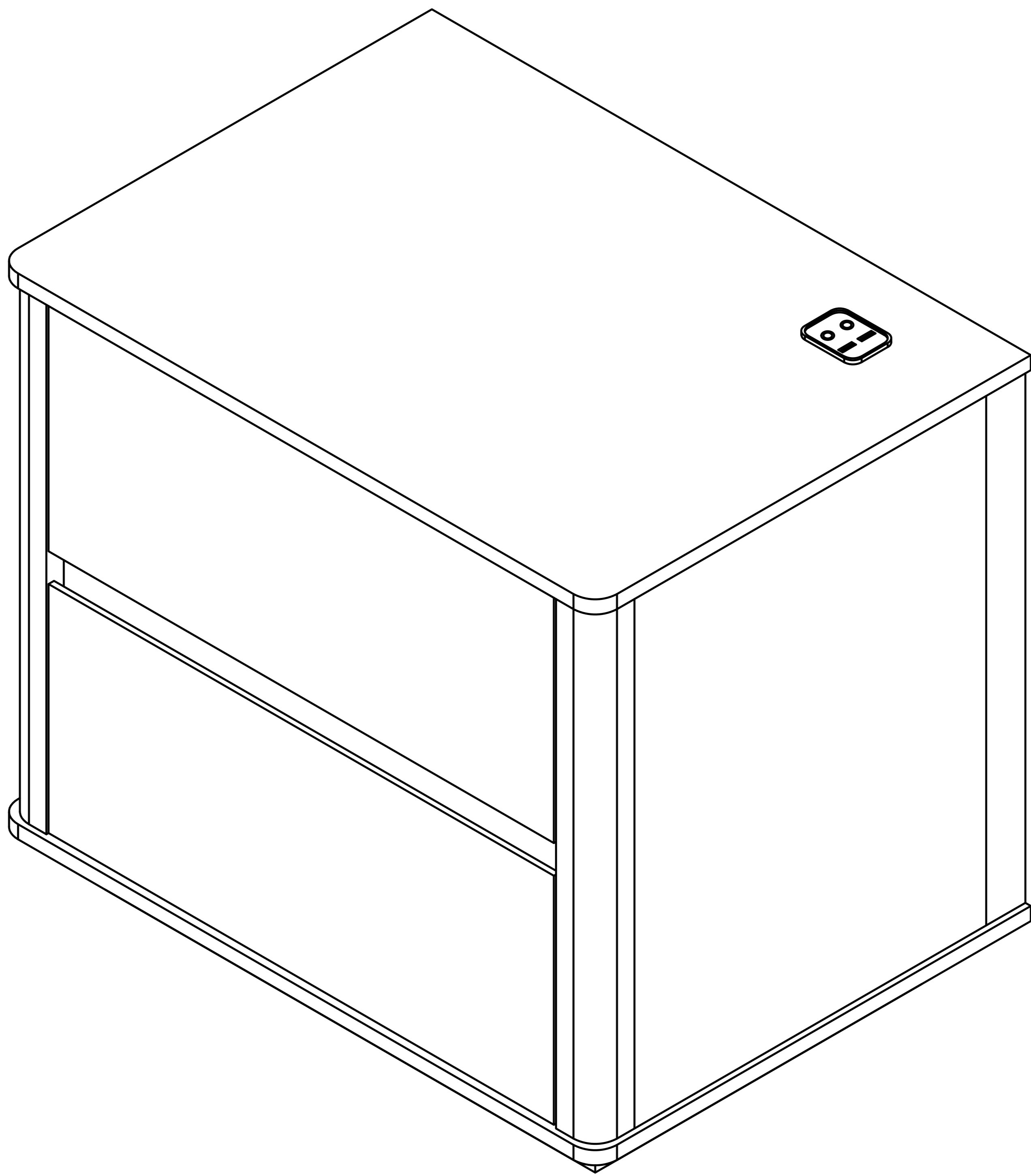
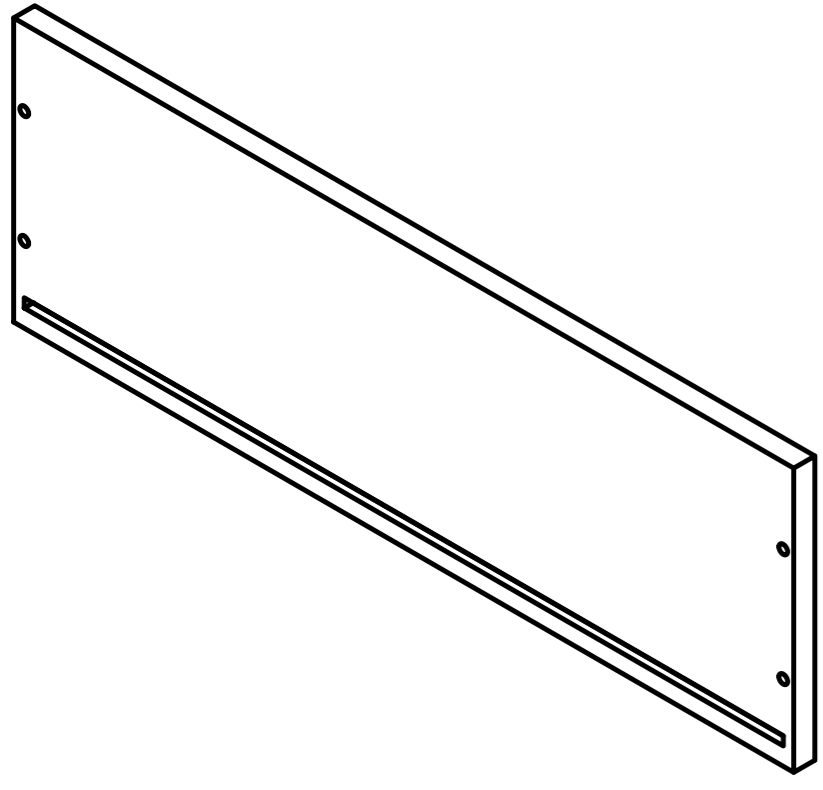
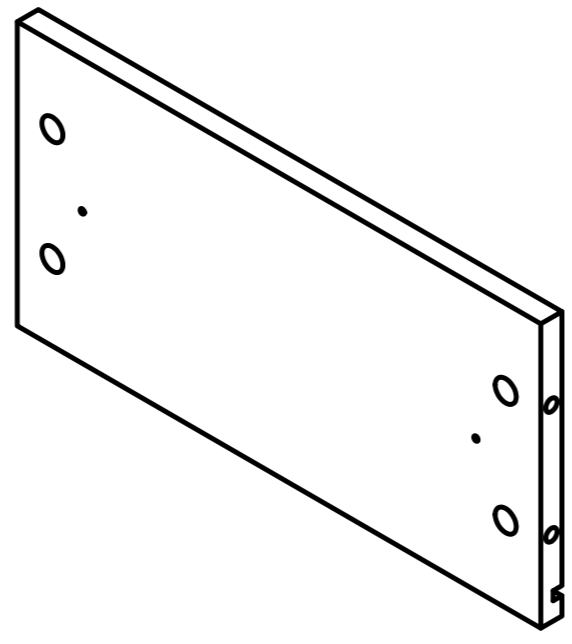


Product Installation Instructions

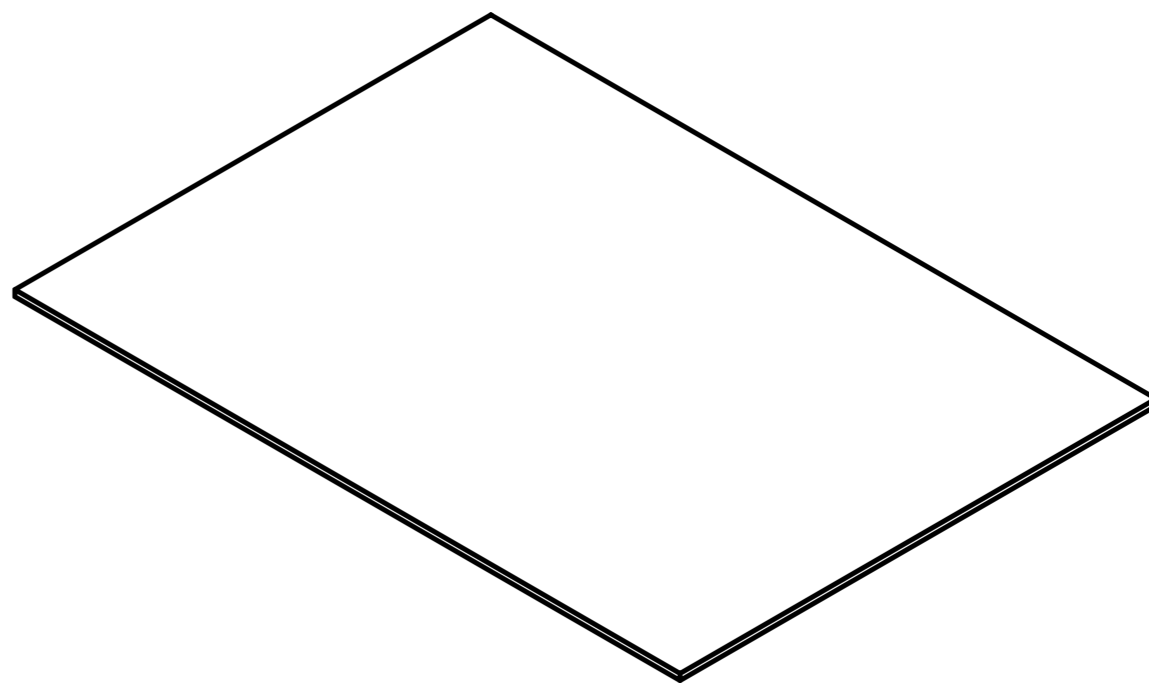




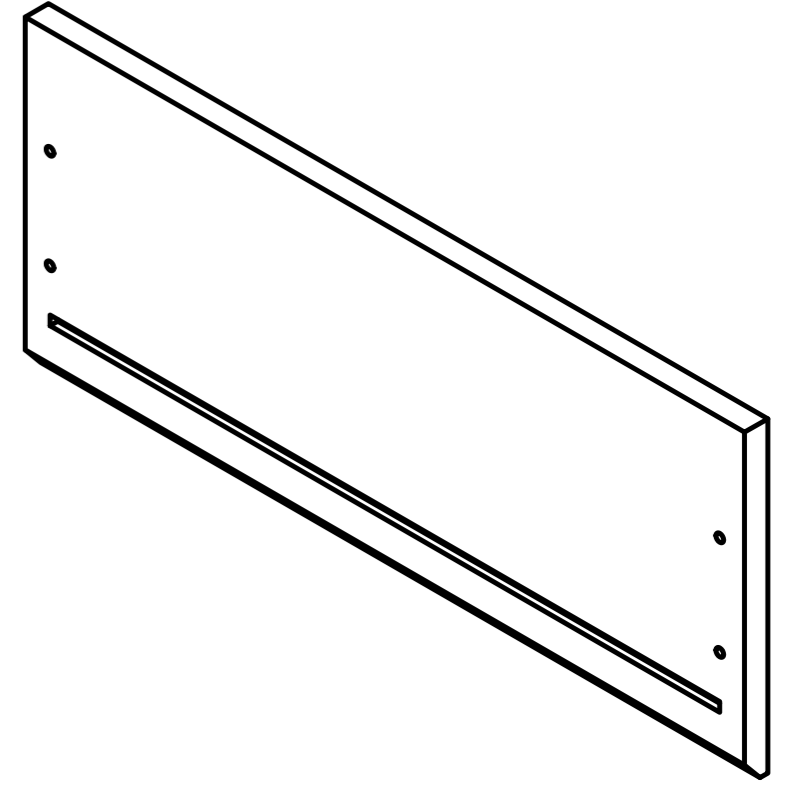
Ax2



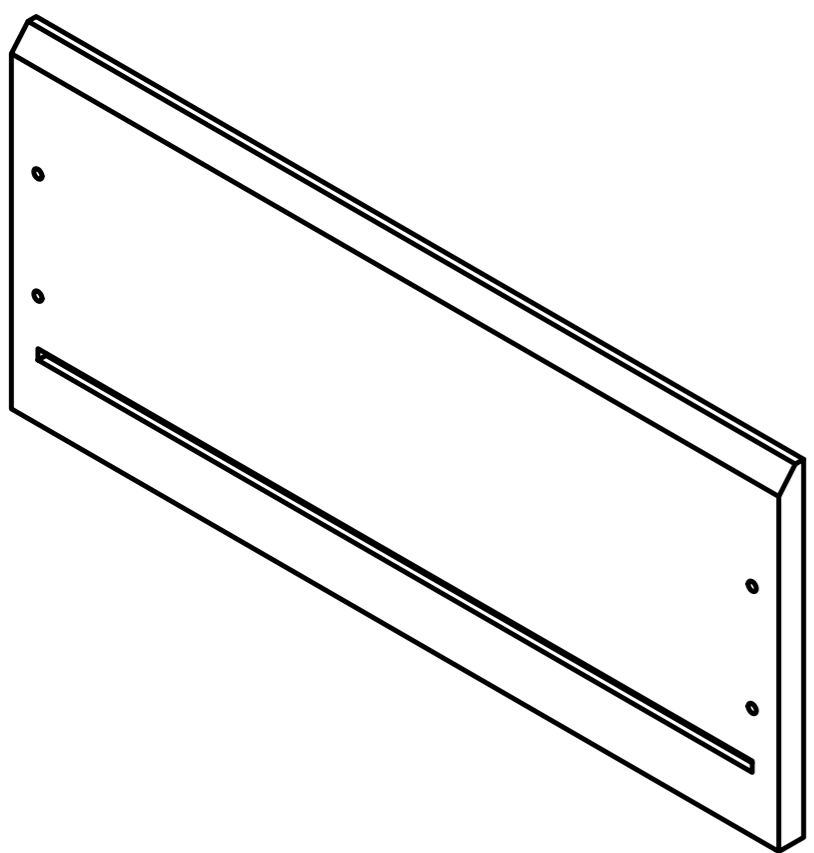
Bx4



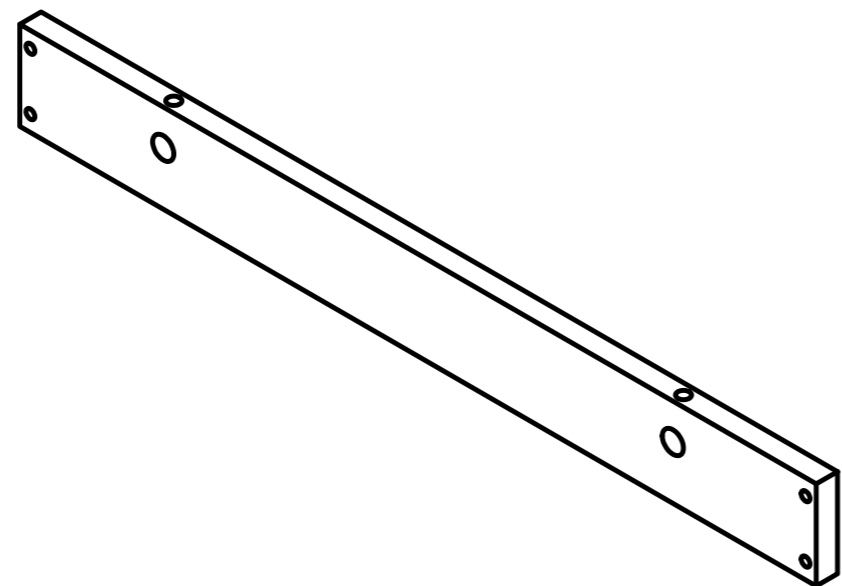
Cx2



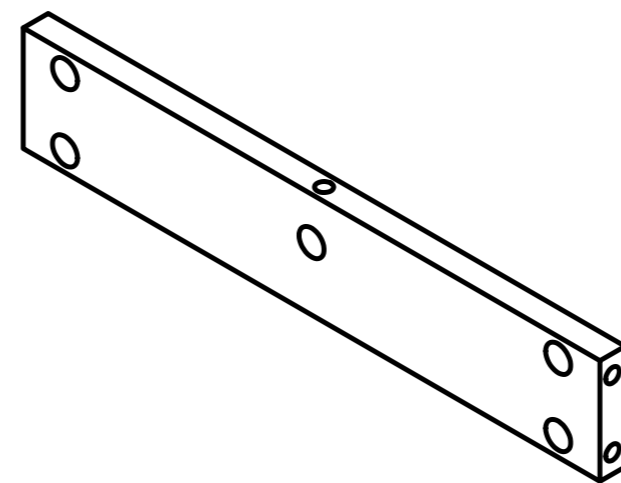
Dx1



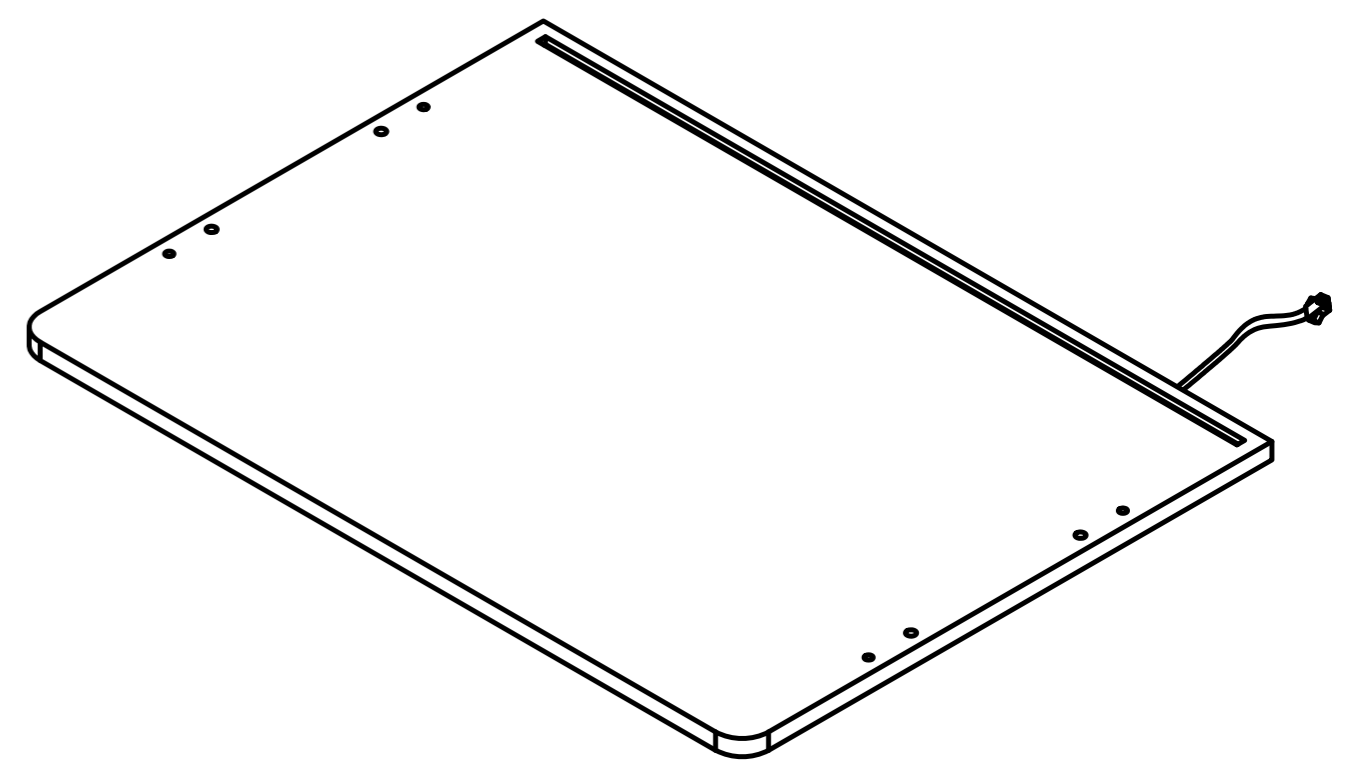
Ex1



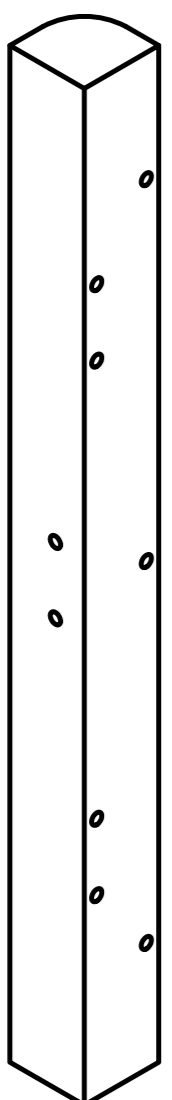
Fx2



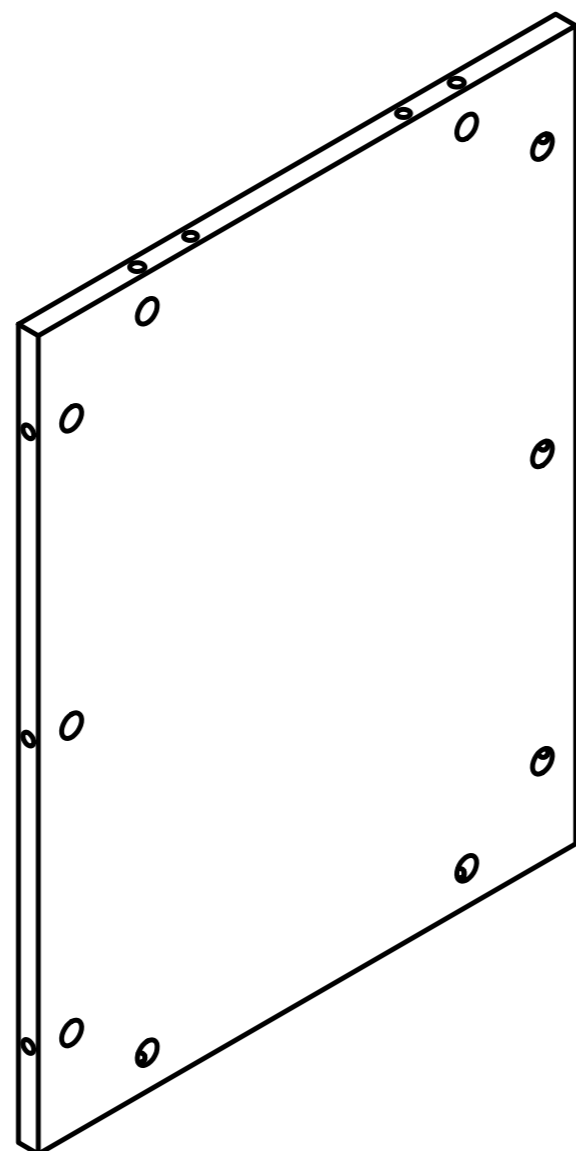
Gx2



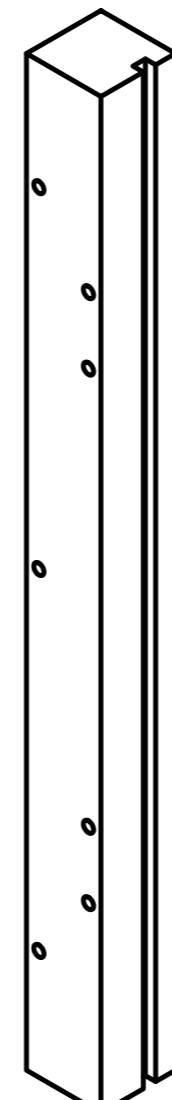
Hx1



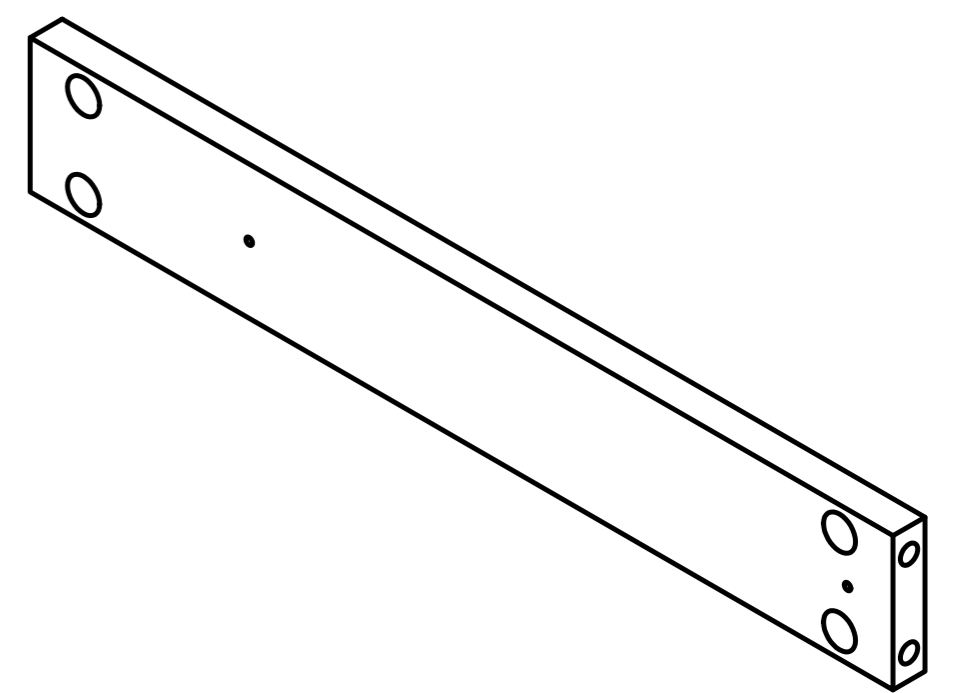
Ix2



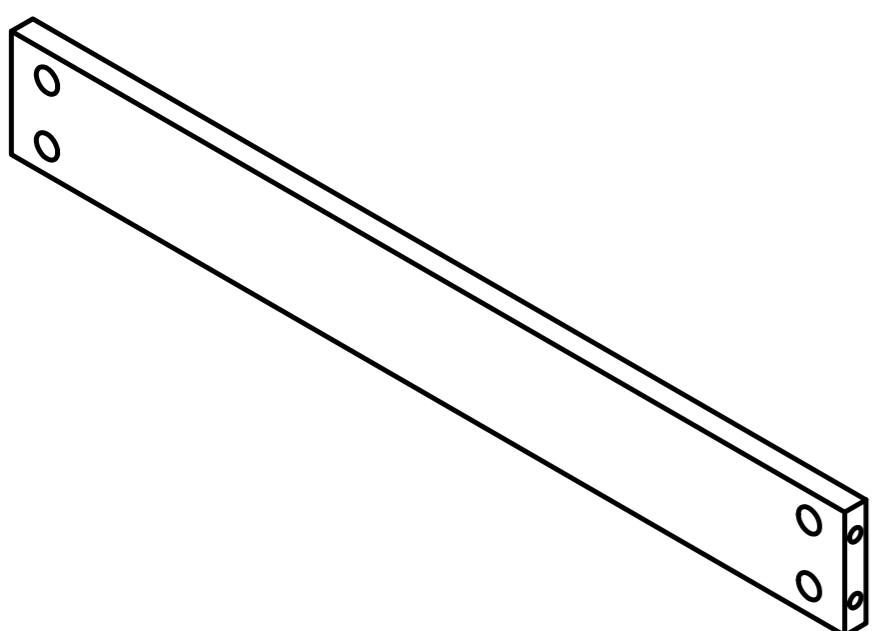
Jx2



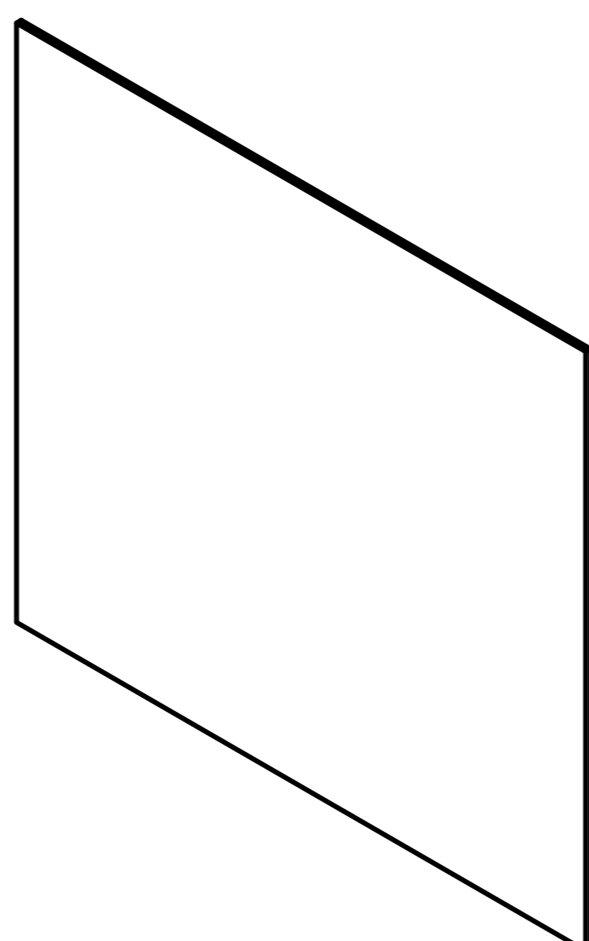
Kx2



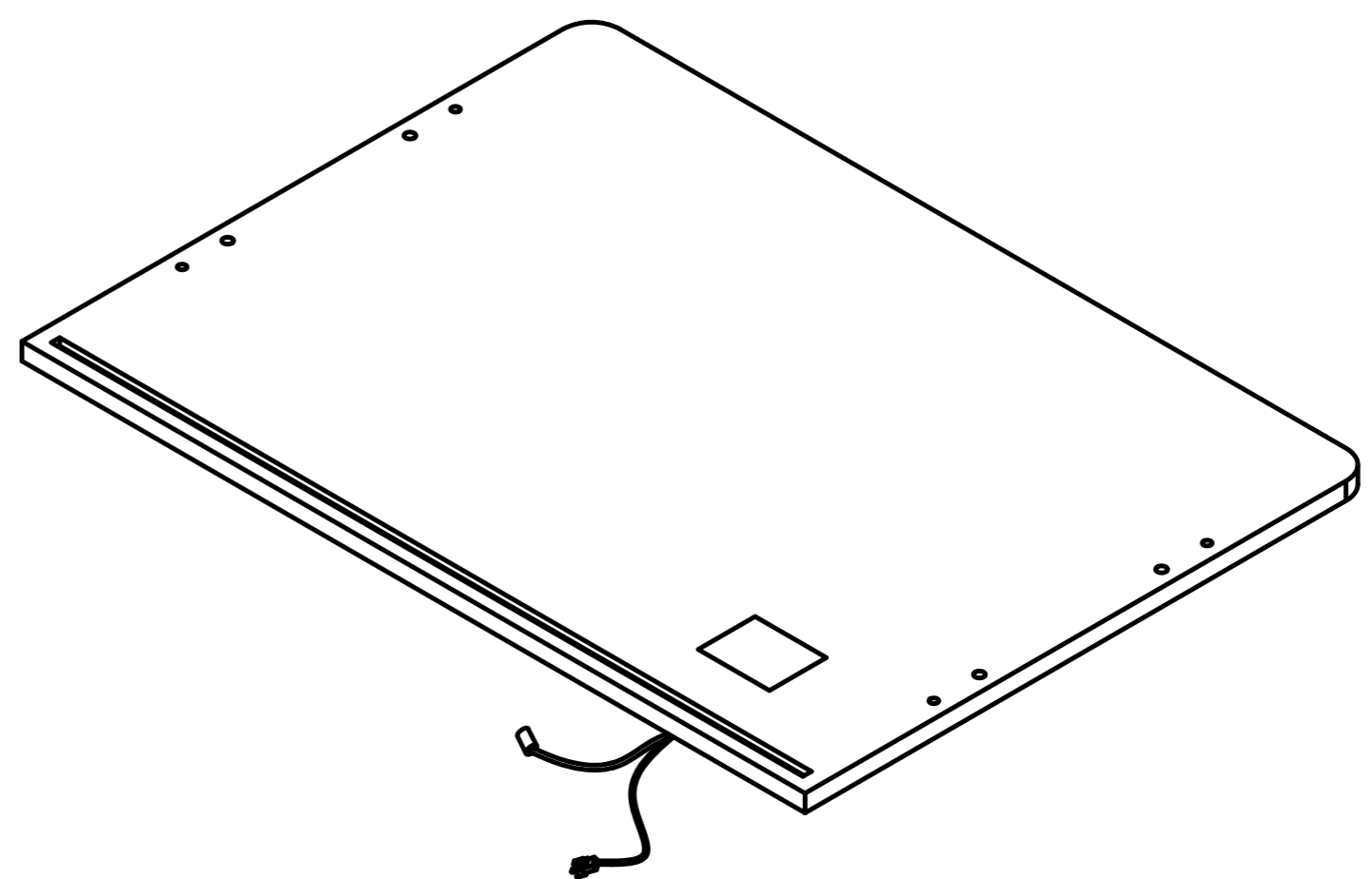
Lx4



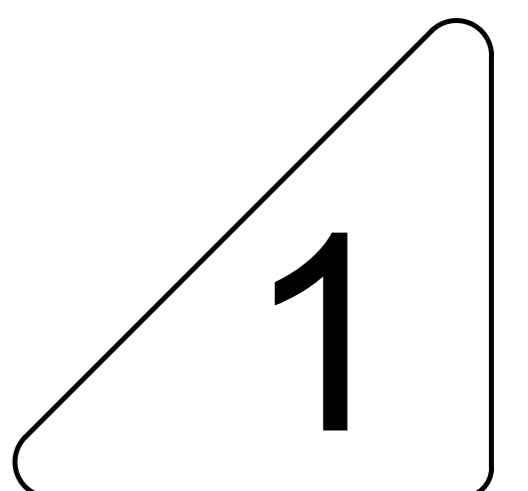
Mx1



Nx1

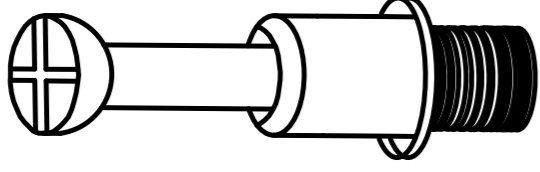
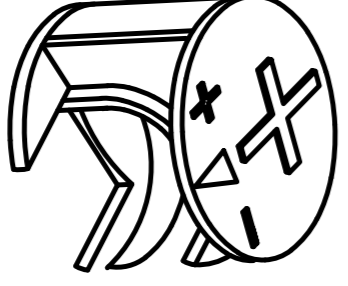
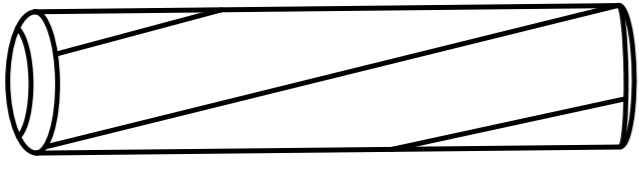
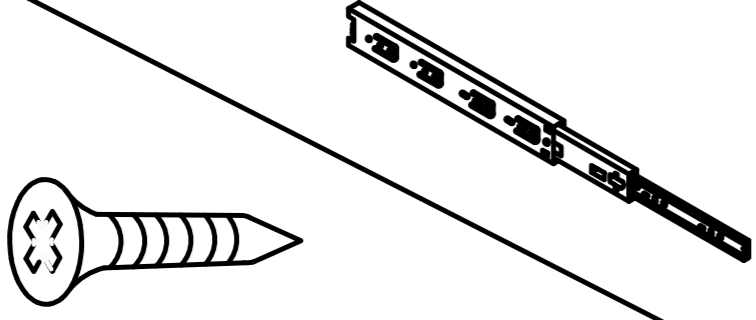

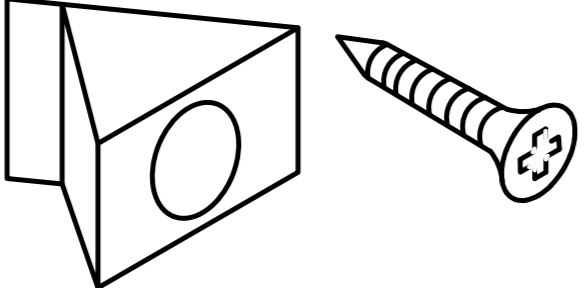
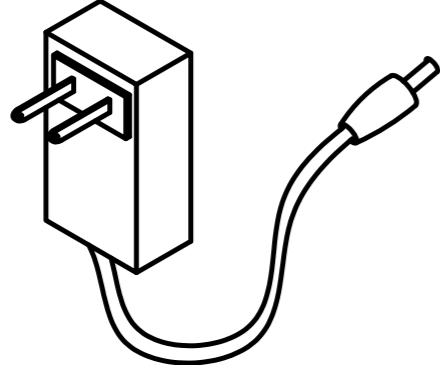
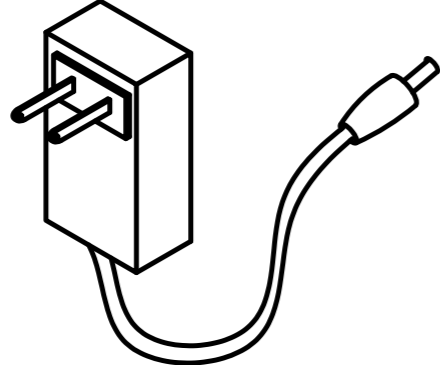


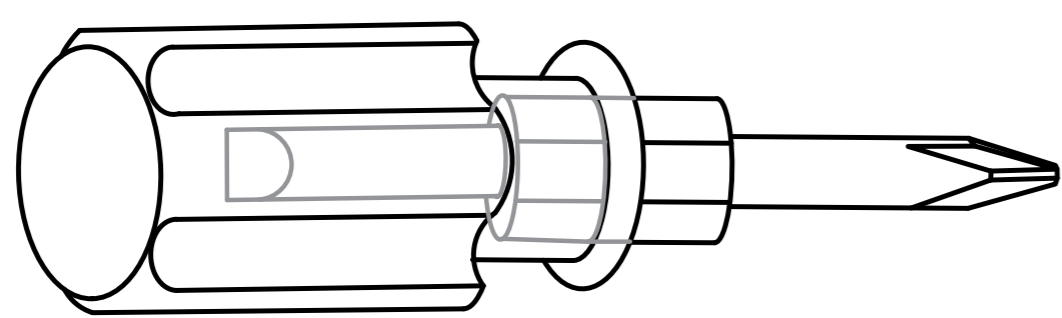
Ox1



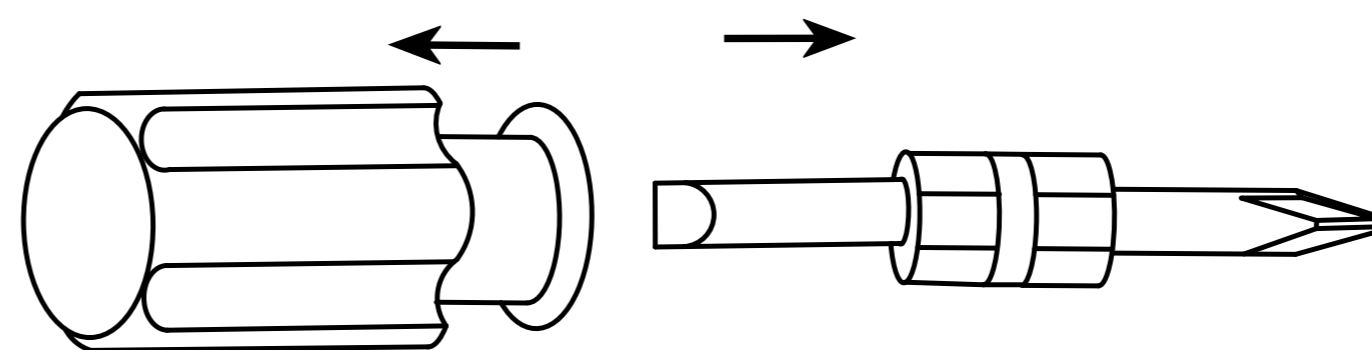
1

Accessories list

①		Two In One Screw (6x28mm)	70pcs +6pcs
②		Two In One Nut (10x12mm)	70pcs +6pcs
③		Wood Chipping (6x30mm)	8pcs +2pcs
④		Screw & Guide (12 inch) (3x12mm)	4pcs 20pcs +2pcs
⑤		Non-slip pads (50x10x2mm)	4pcs +2pcs
⑥		Fixing Clip & Screw (3x16mm)	4pcs +2pcs
		AC/DC Adapter (12V=2.0A)	1pcs

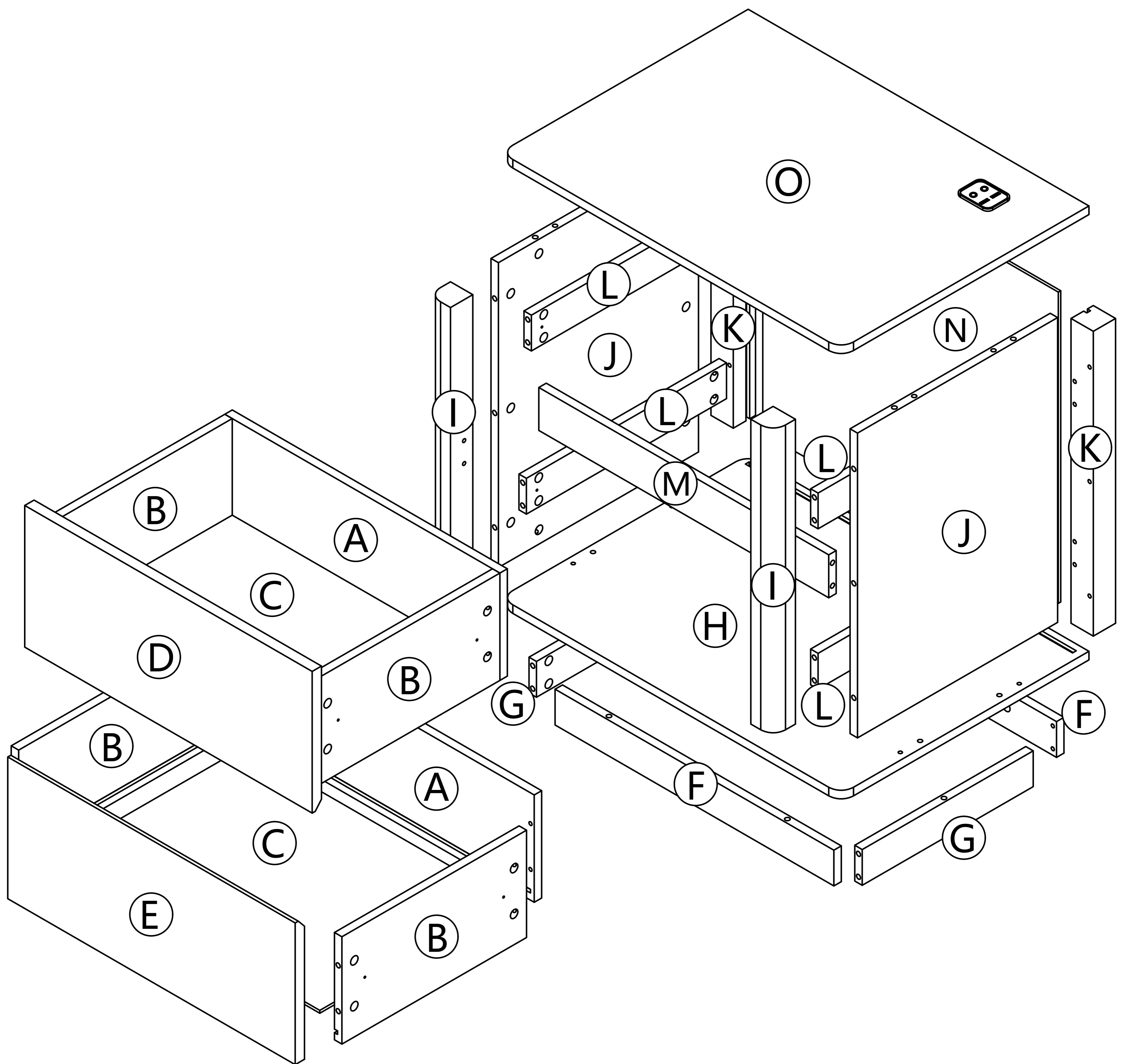


1pcs

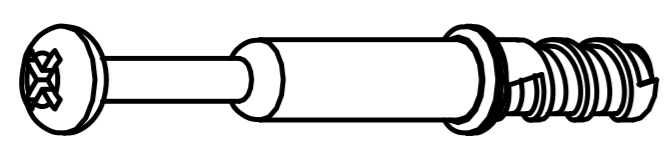


Double-head screwdriver, use as required

Product structure decomposition

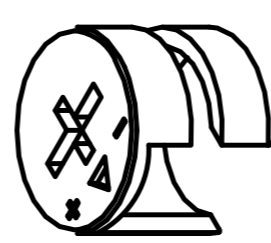


1



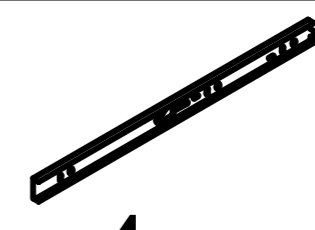
16pcs

2



16pcs

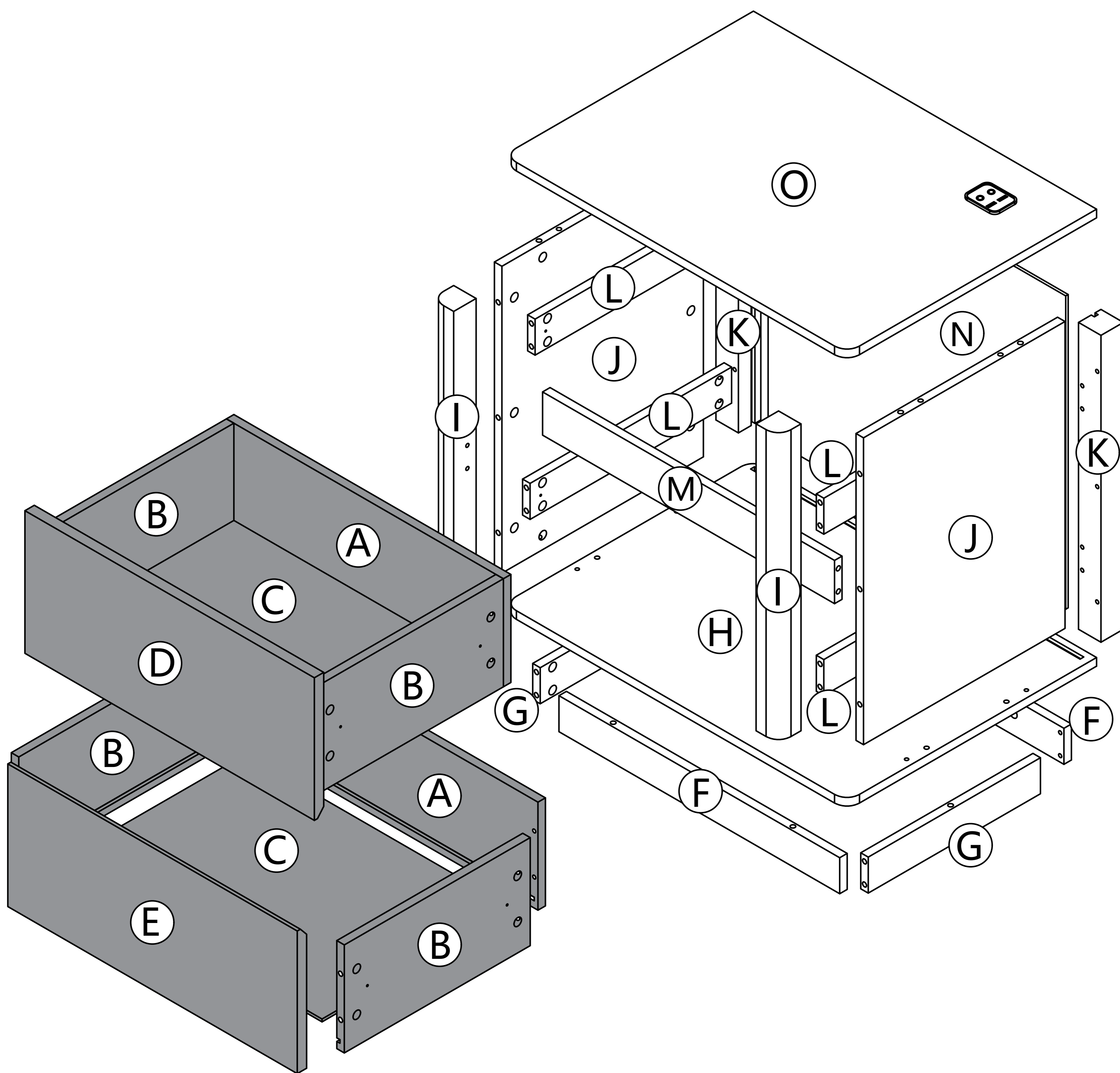
4



4pcs

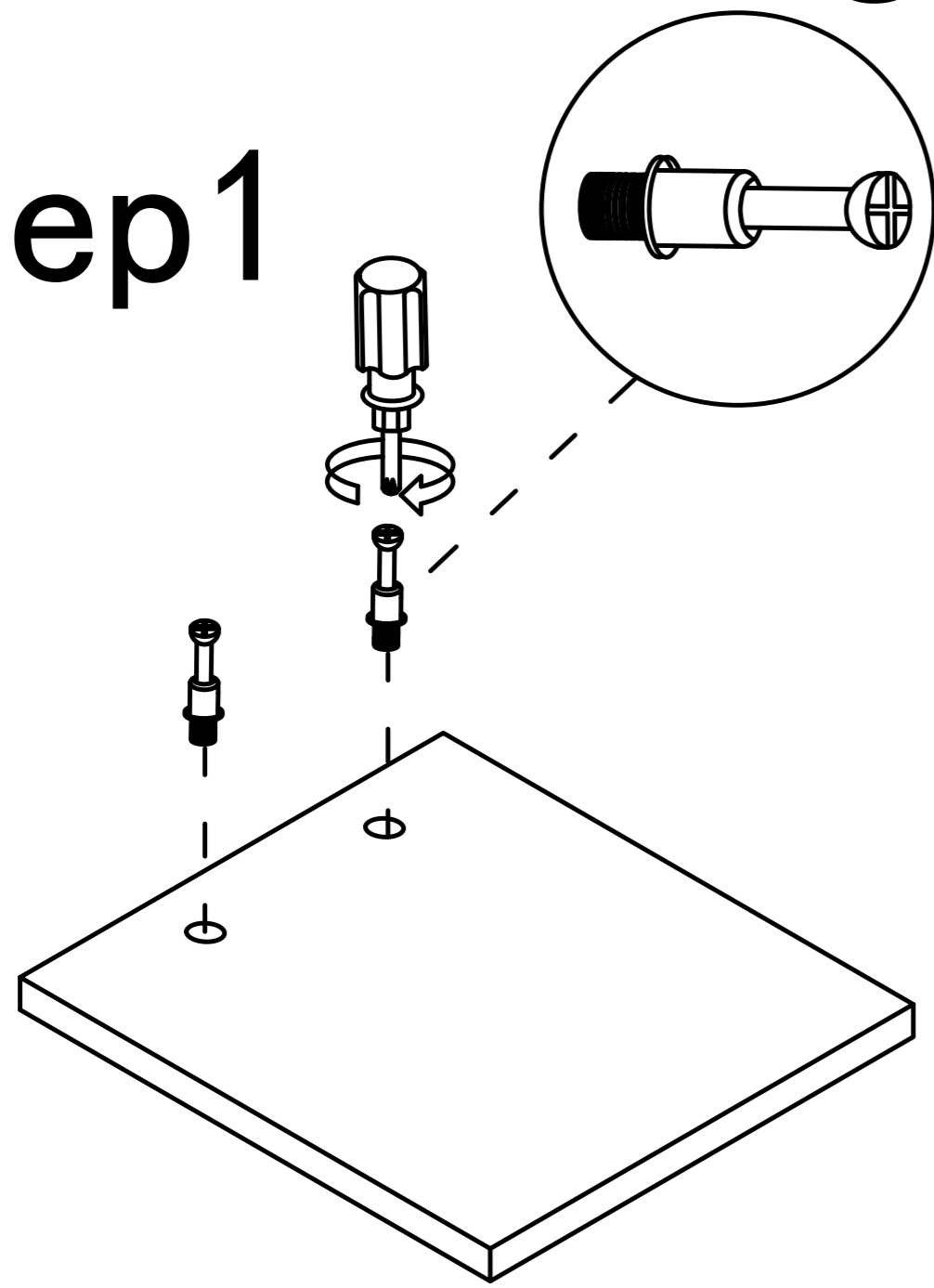


8pcs

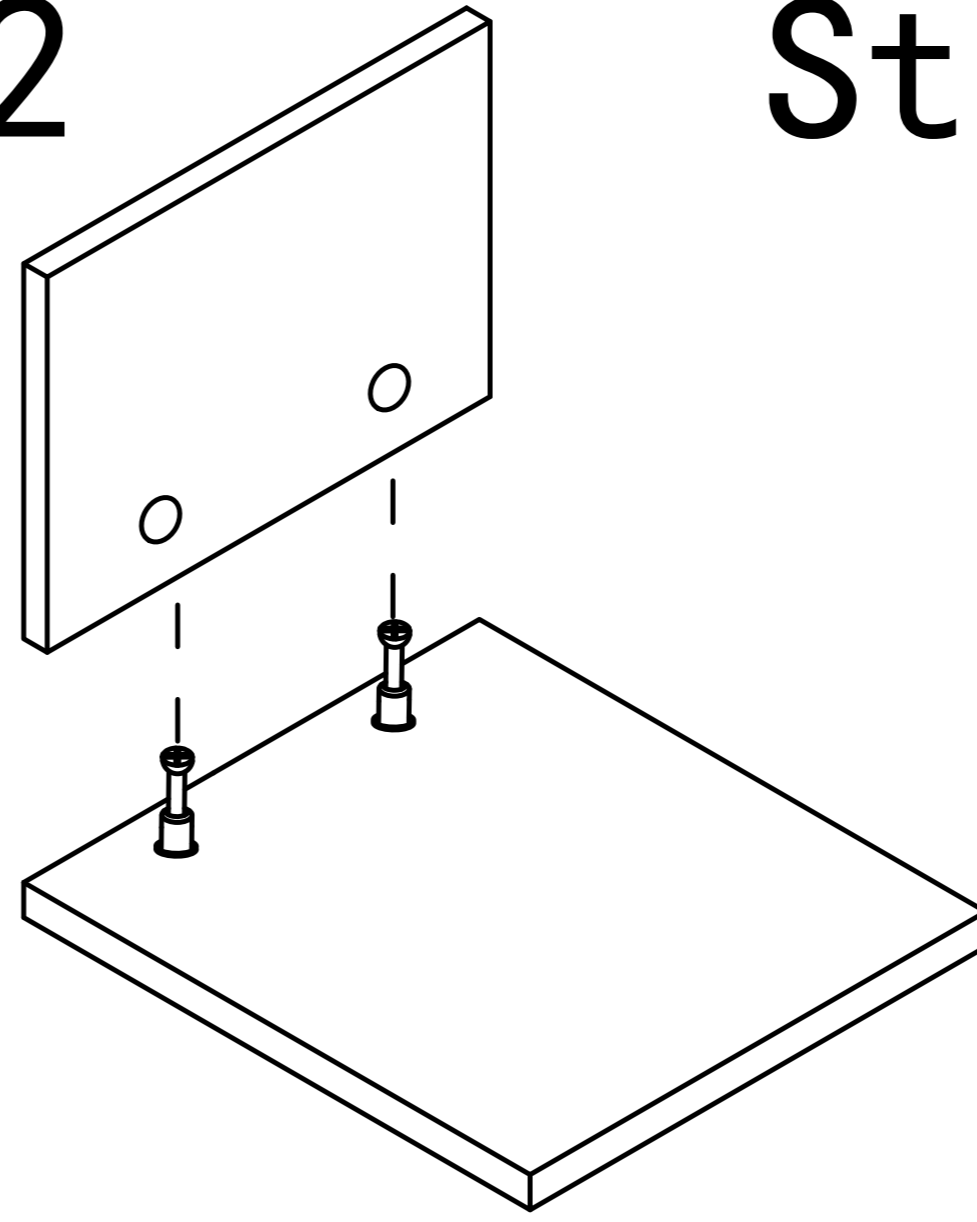


Use parts ① and ②

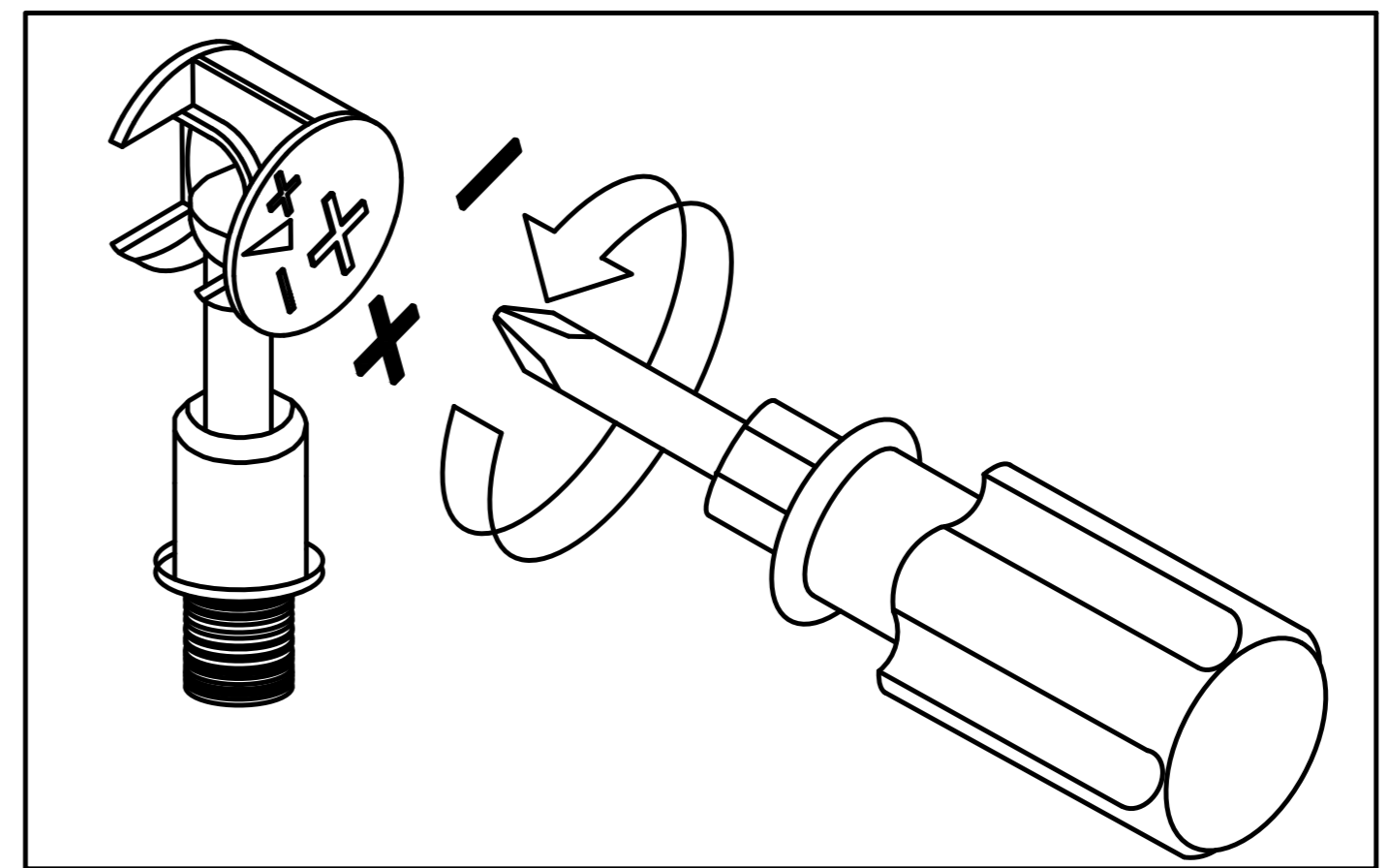
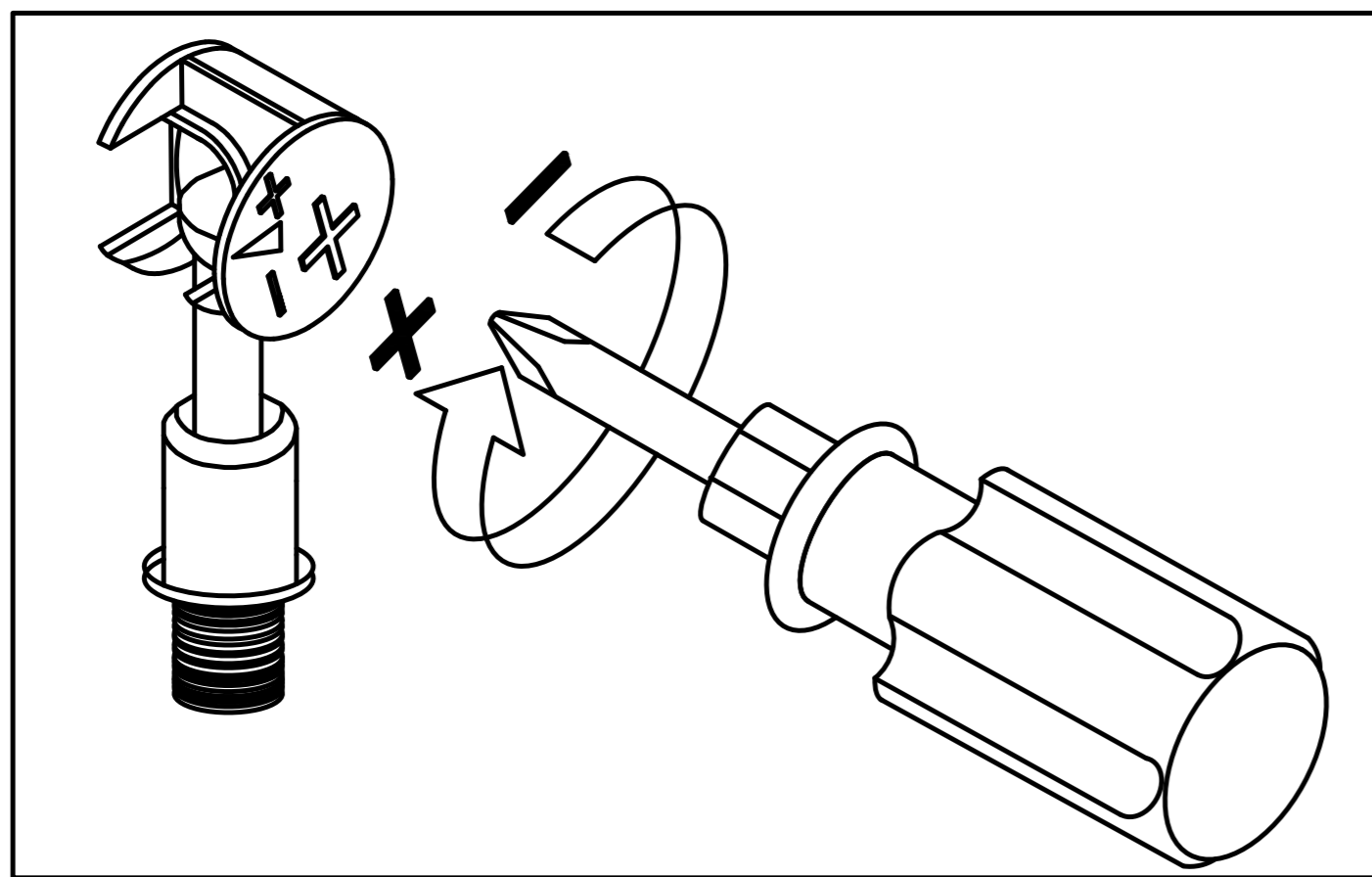
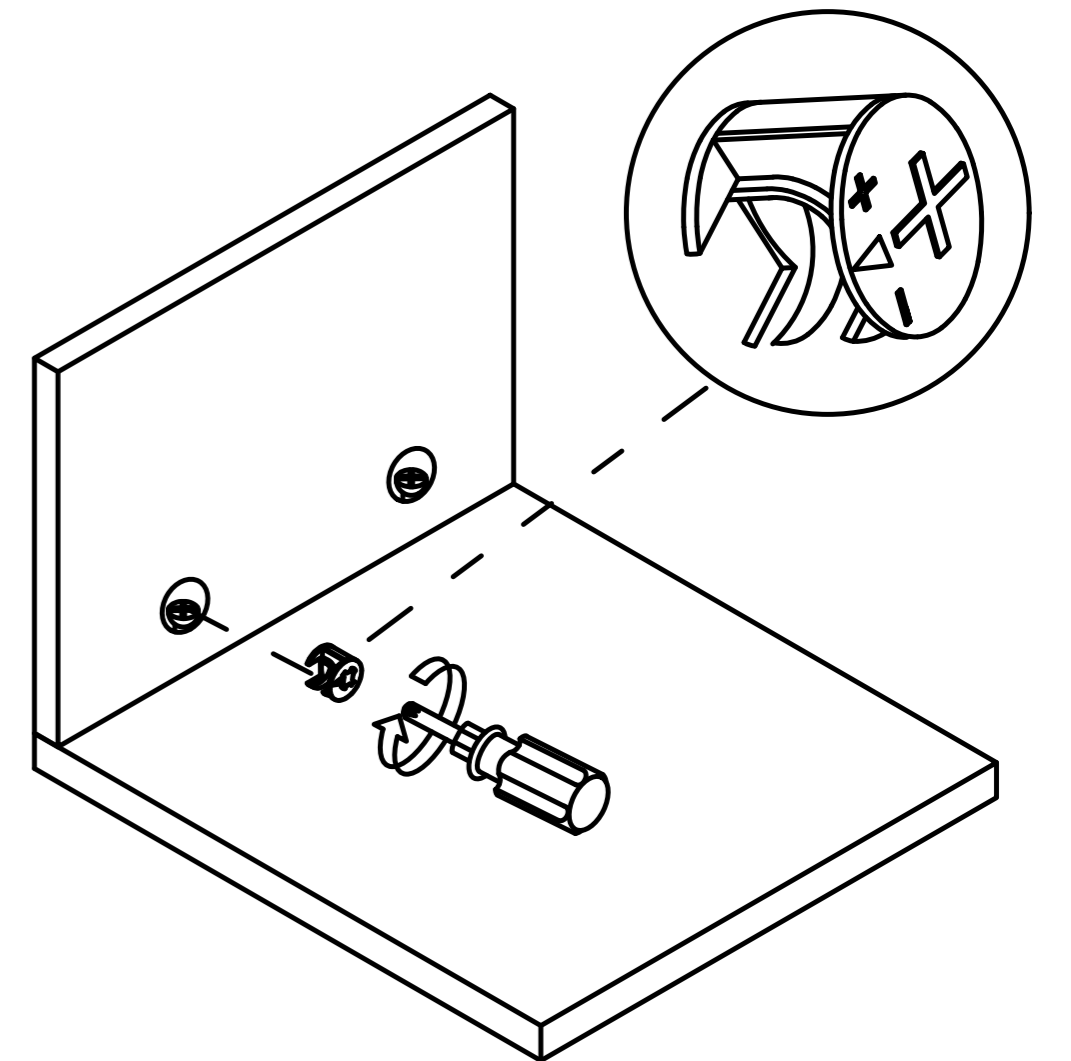
Step 1



Step 2



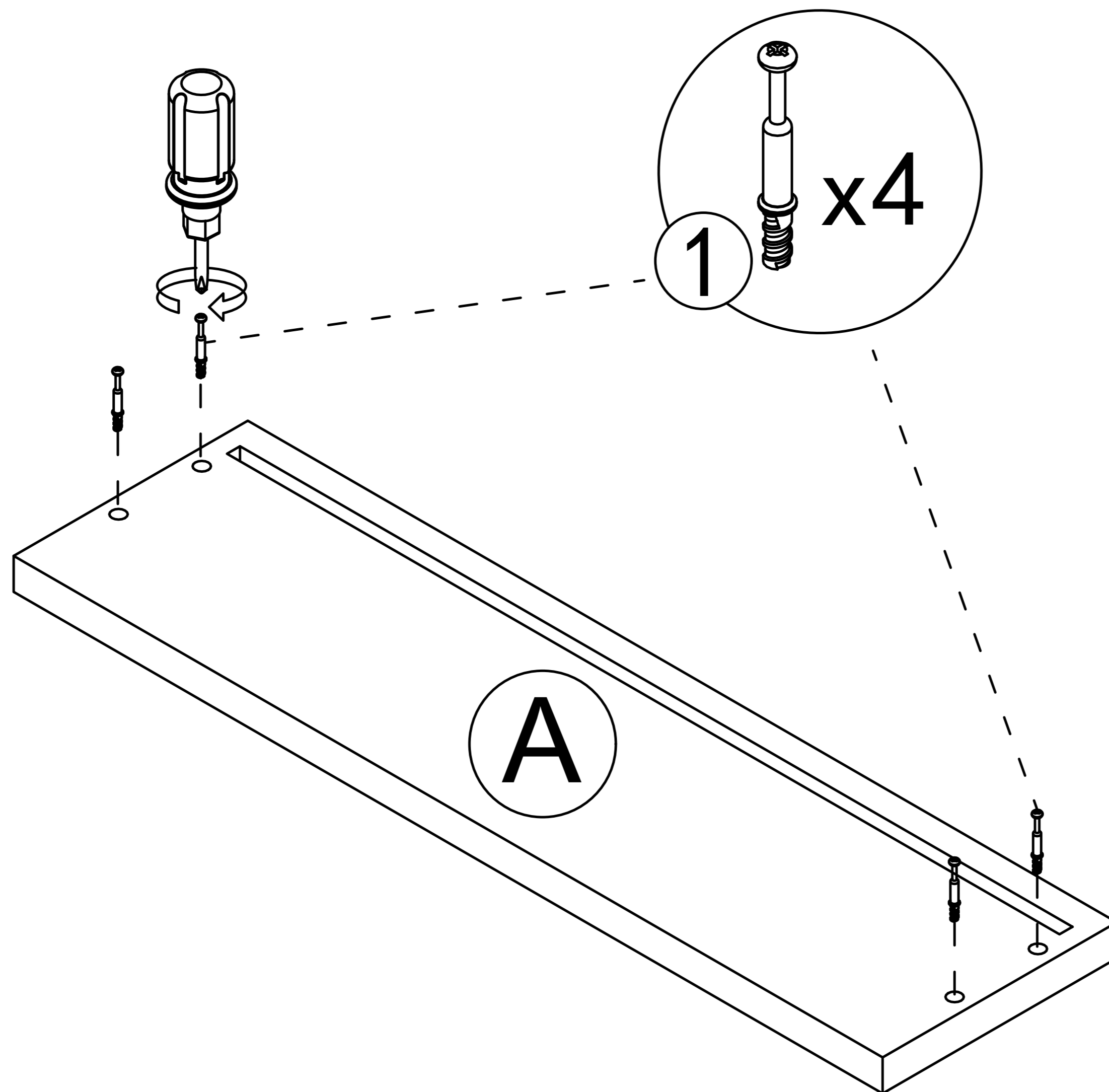
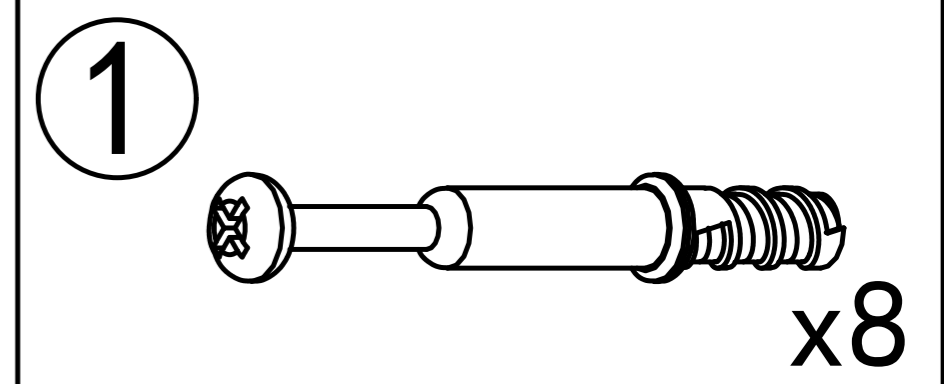
Step 3



Use a screwdriver to lock in the direction of the "+" sign

Disassemble along the direction of "-" sign

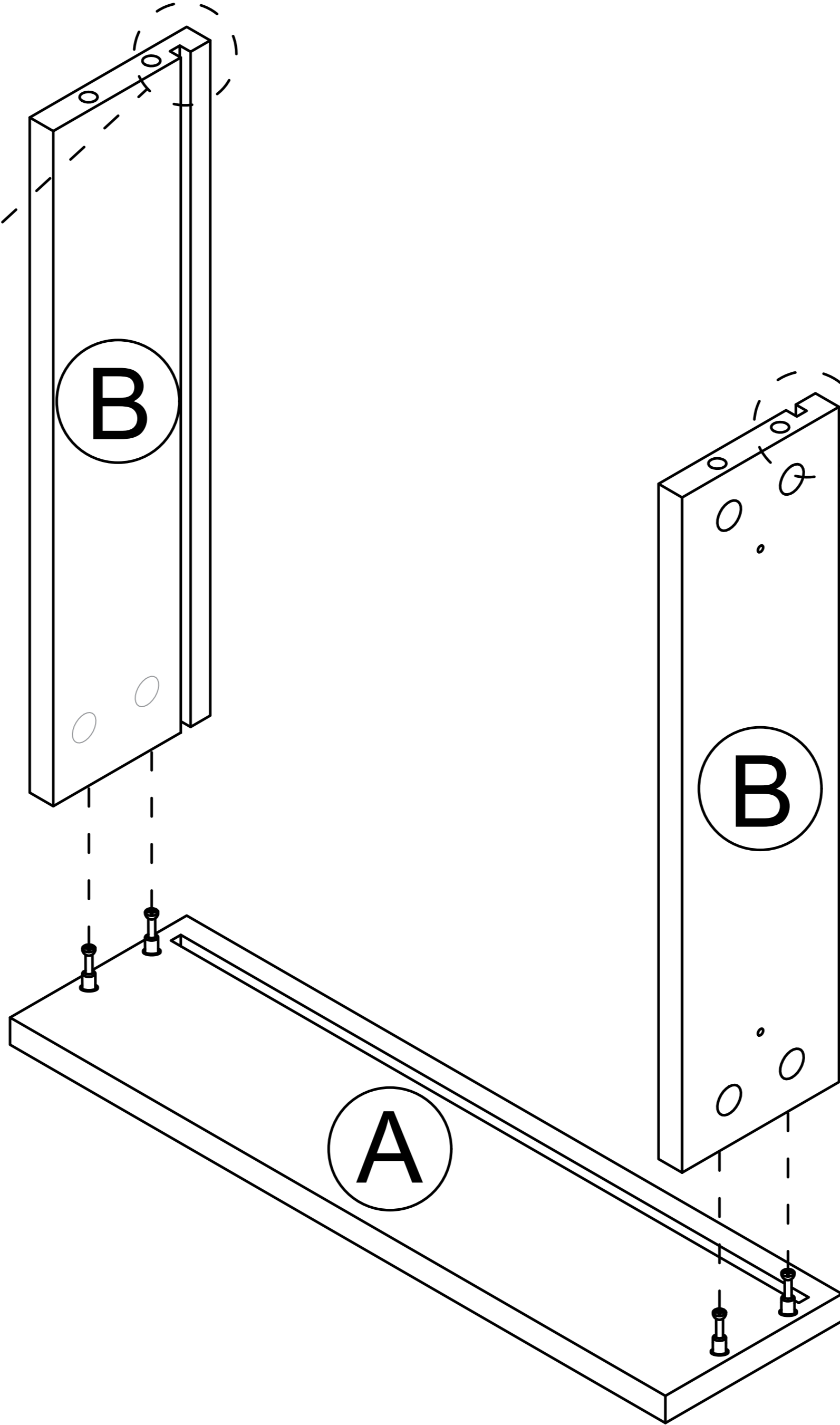
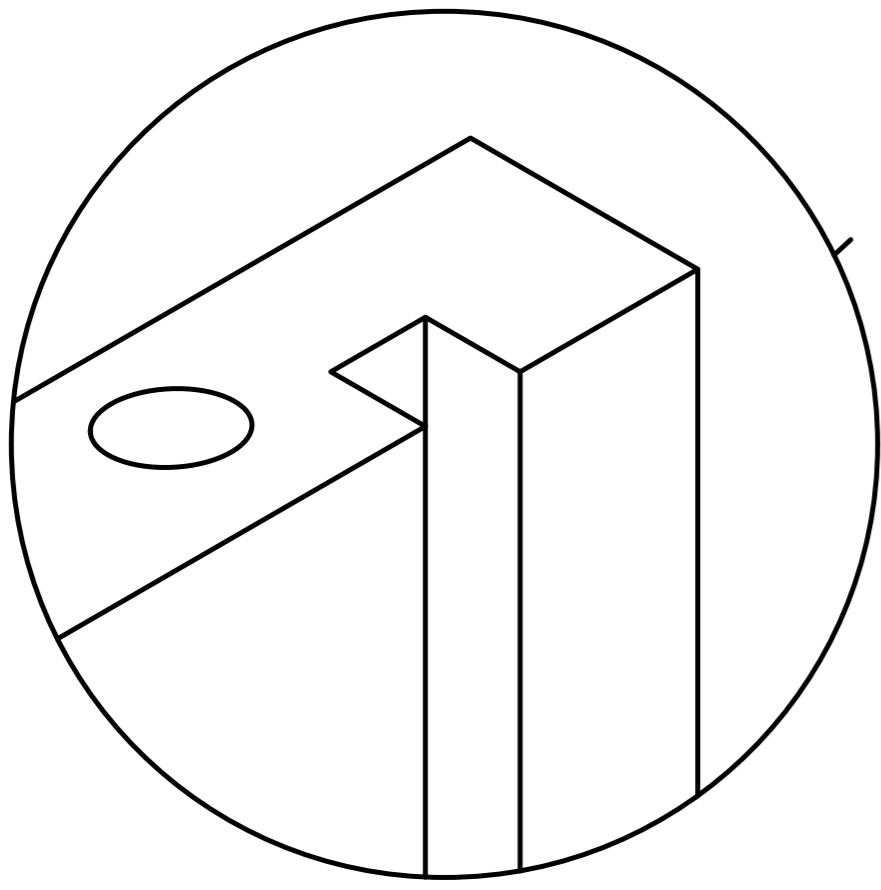
Step 1



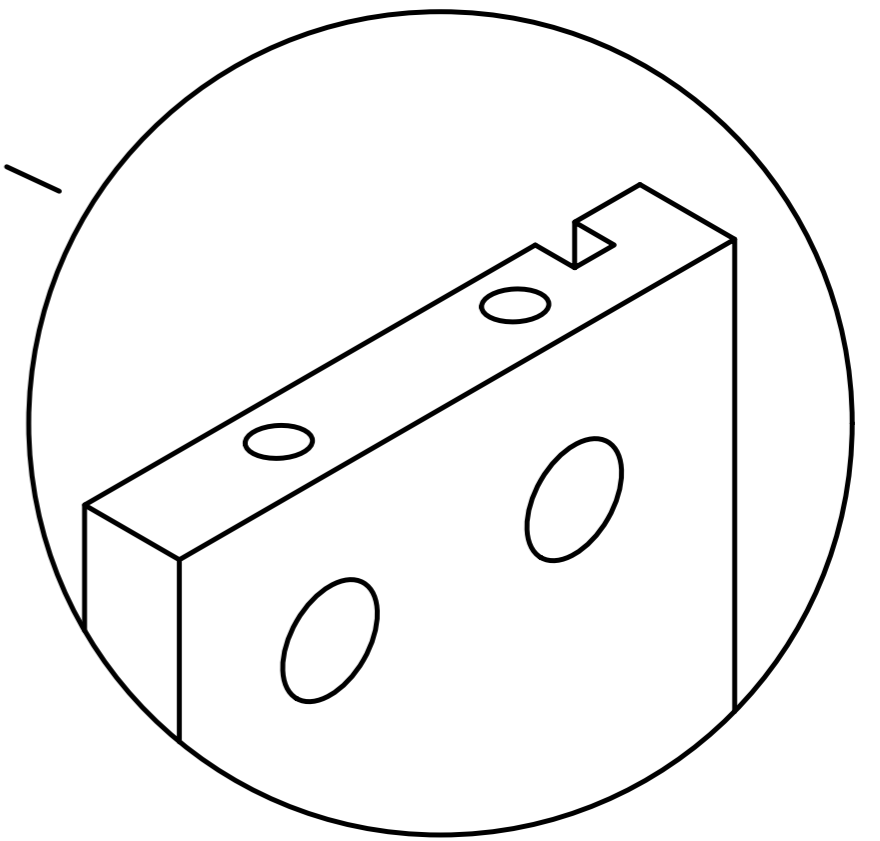
x2

5

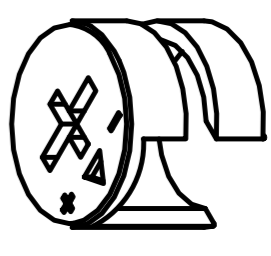
Step 2

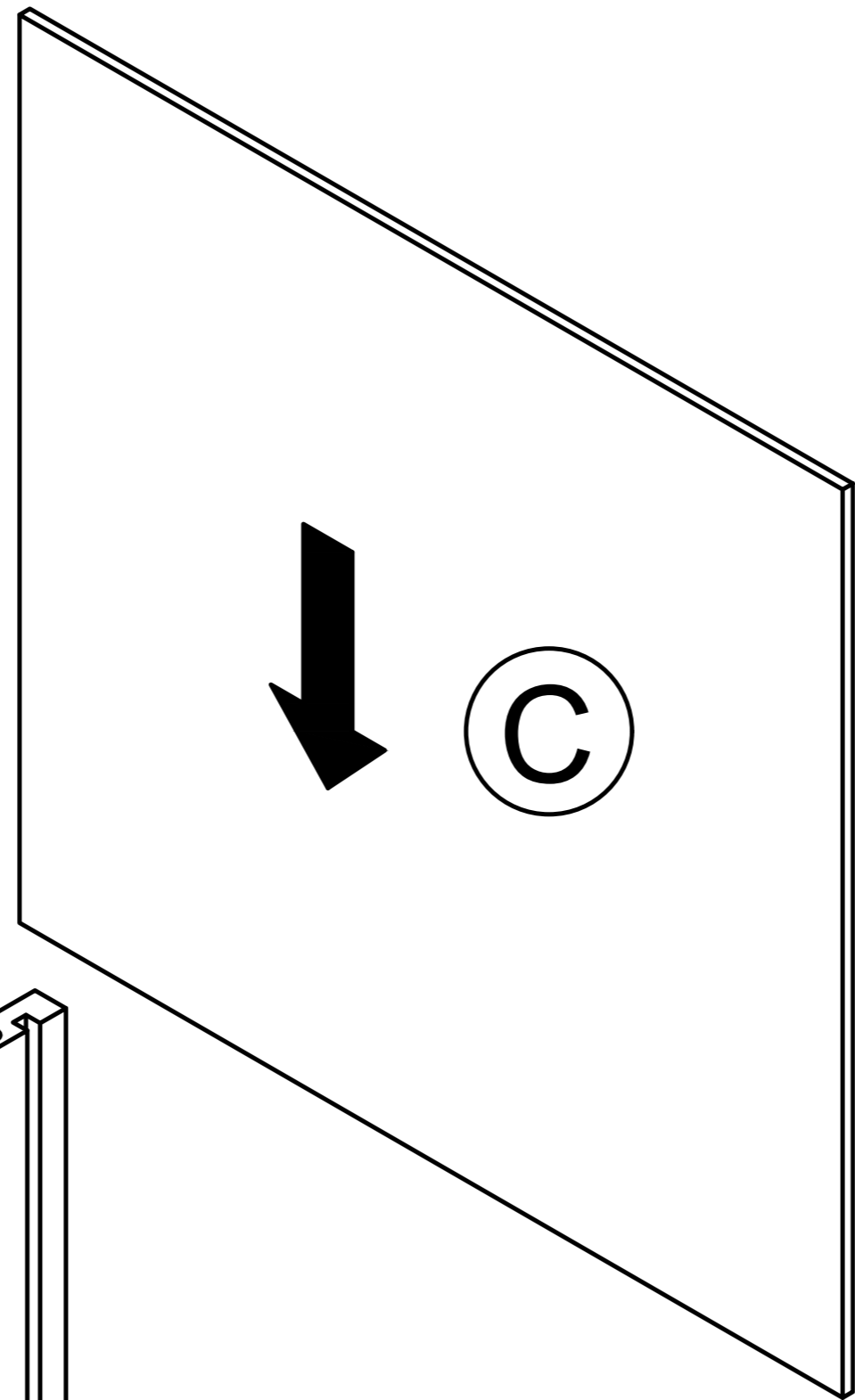


x2

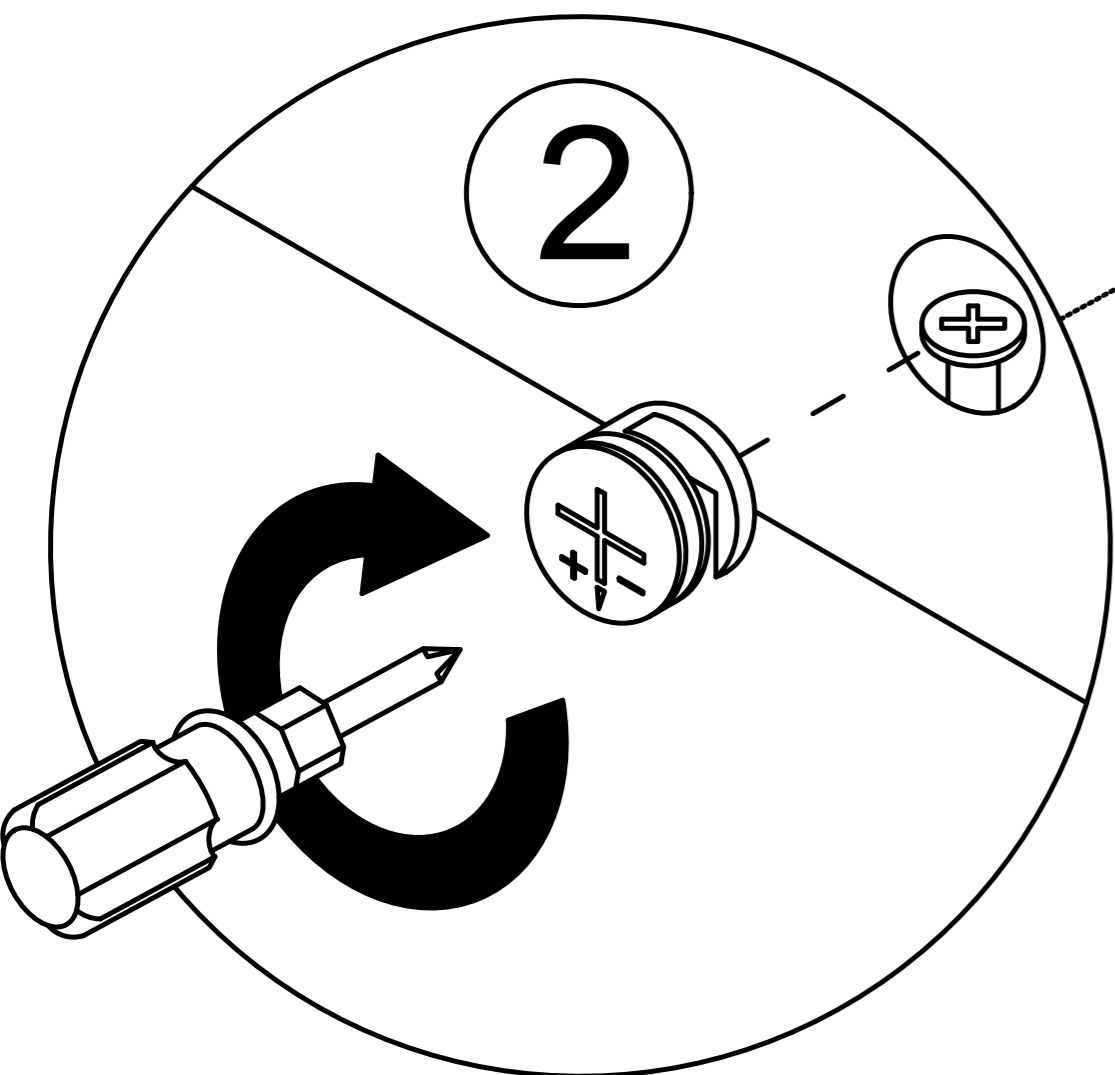
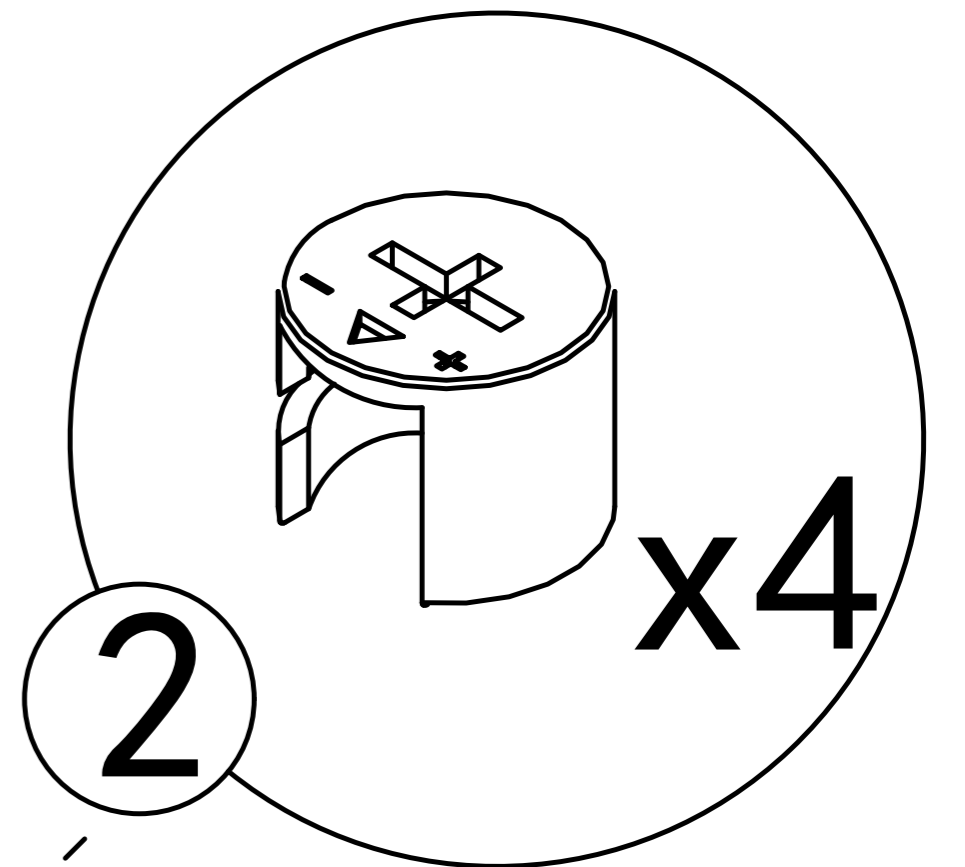
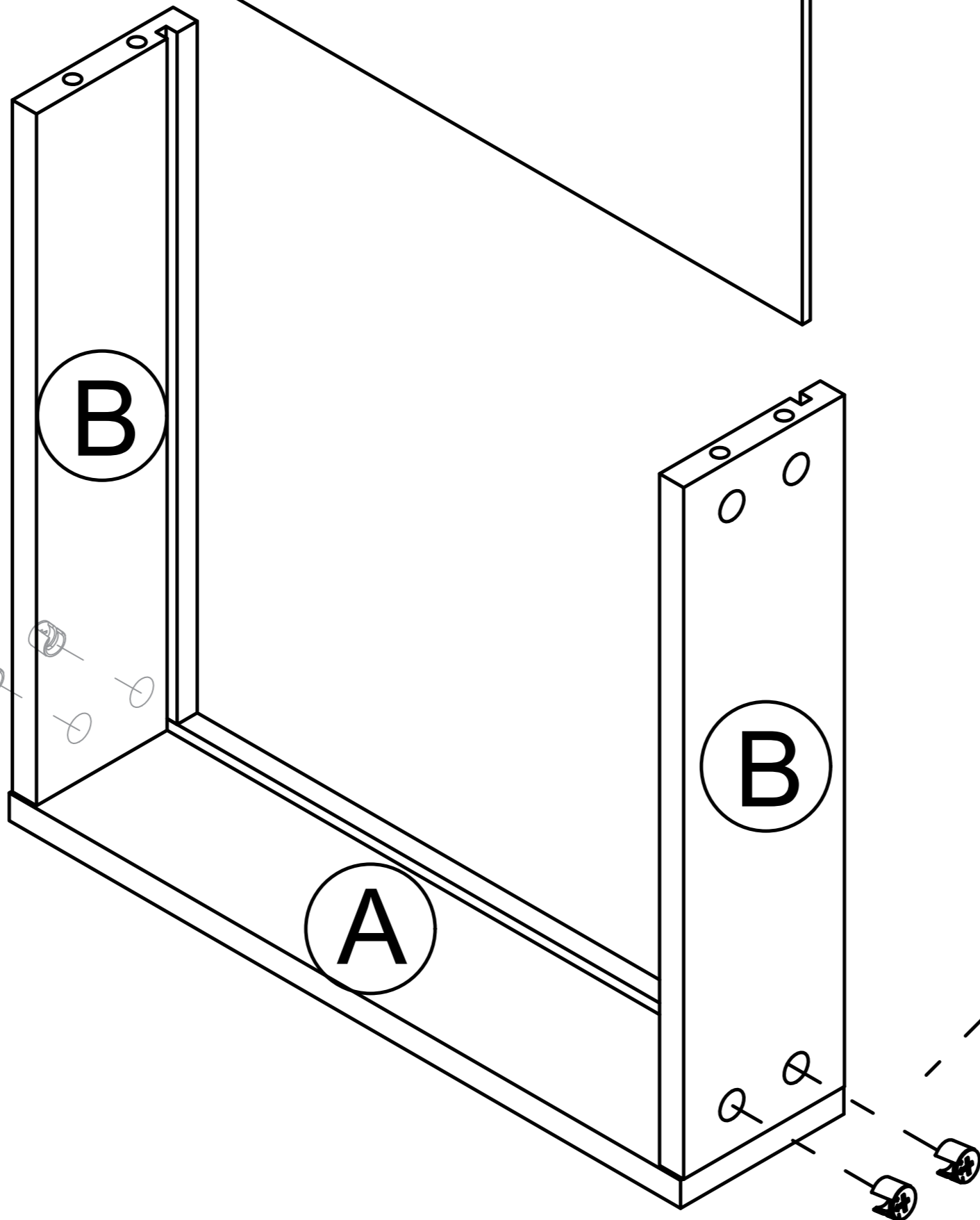


Step 3

②  x8

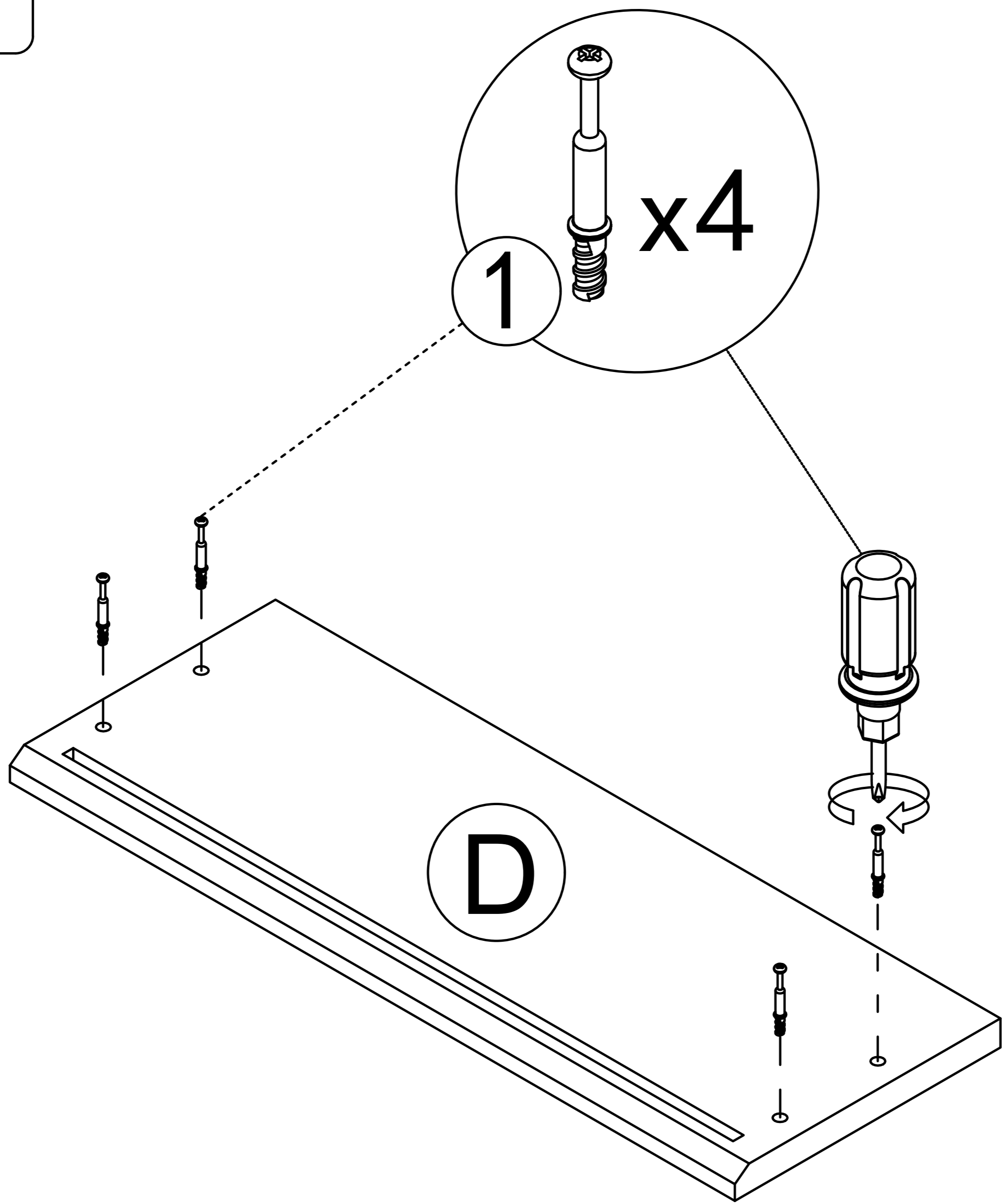
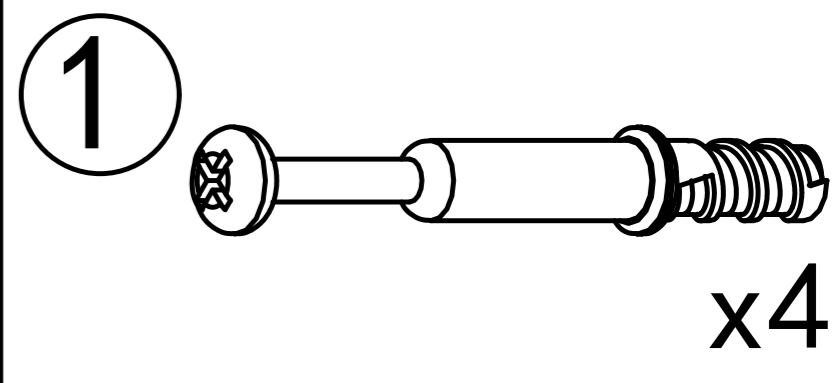


x2

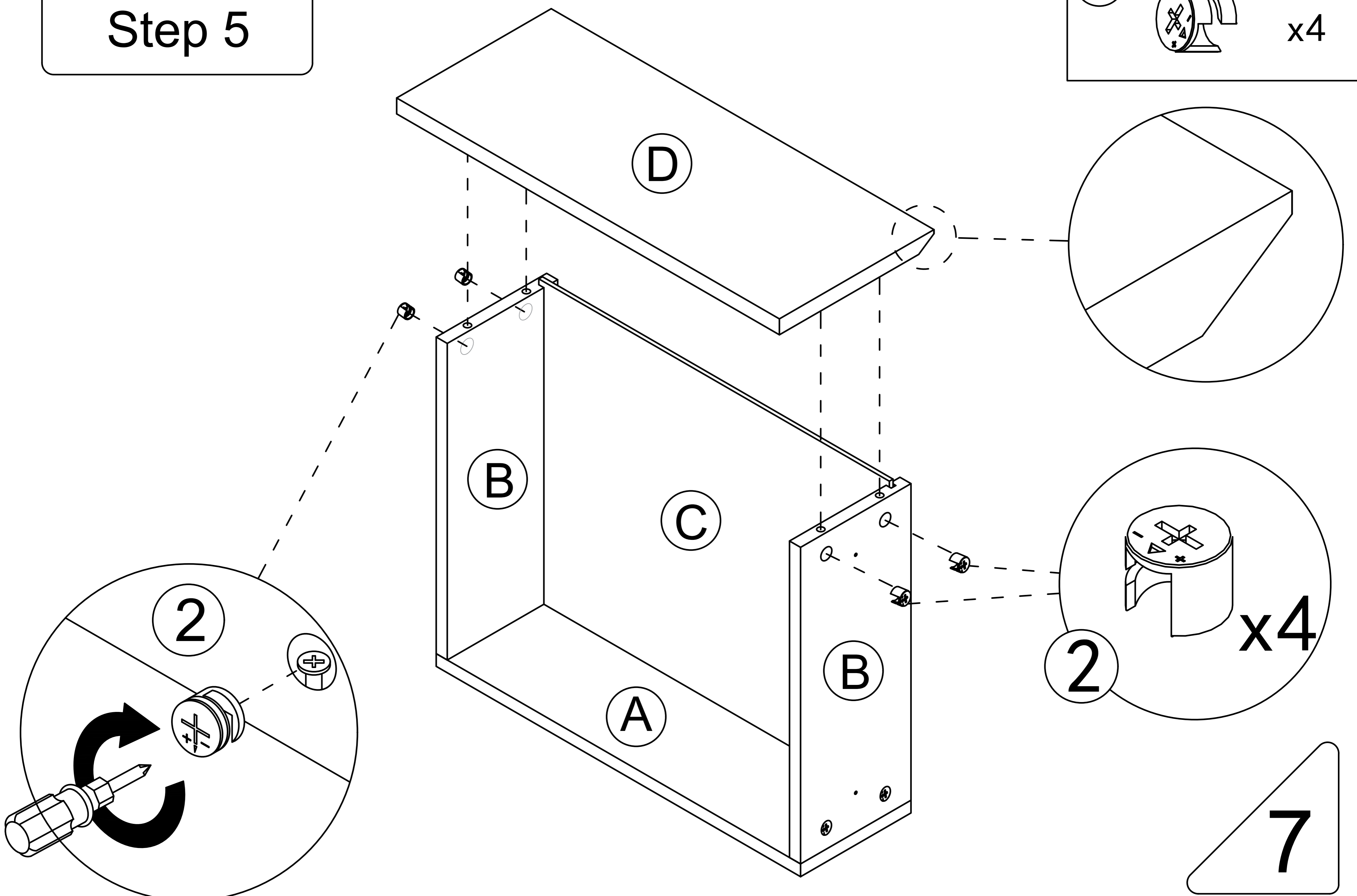
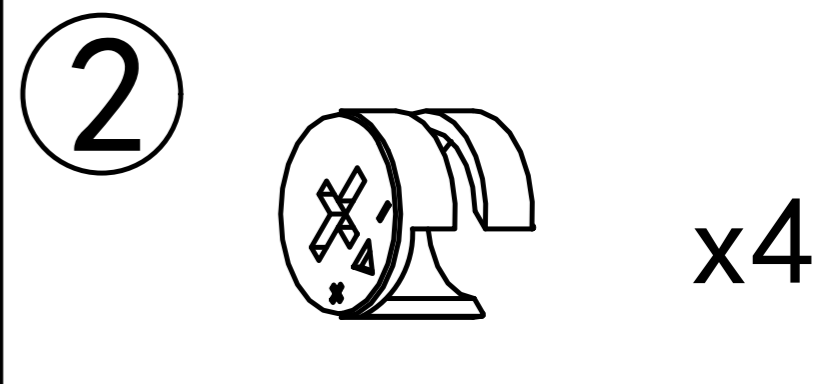


6

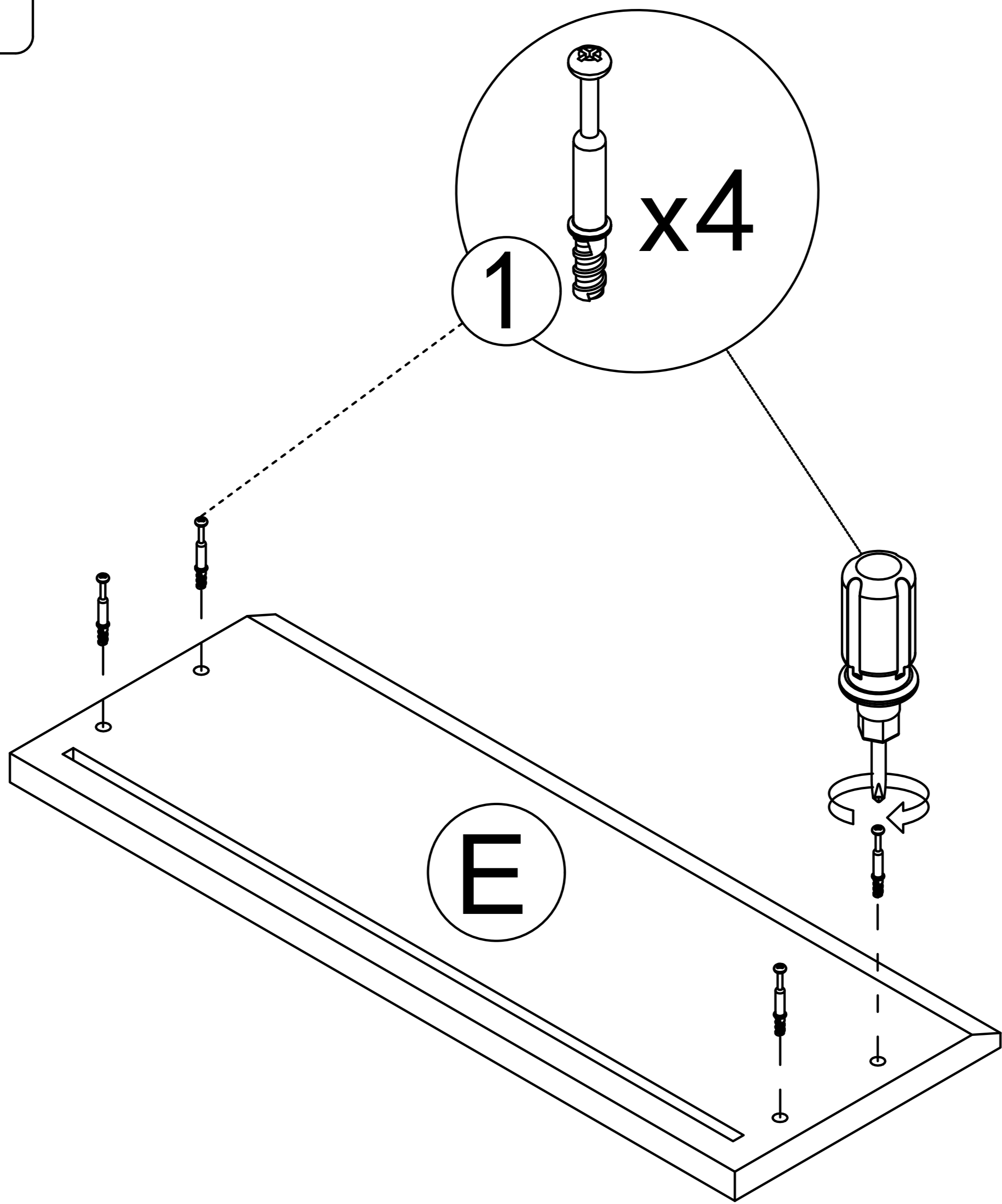
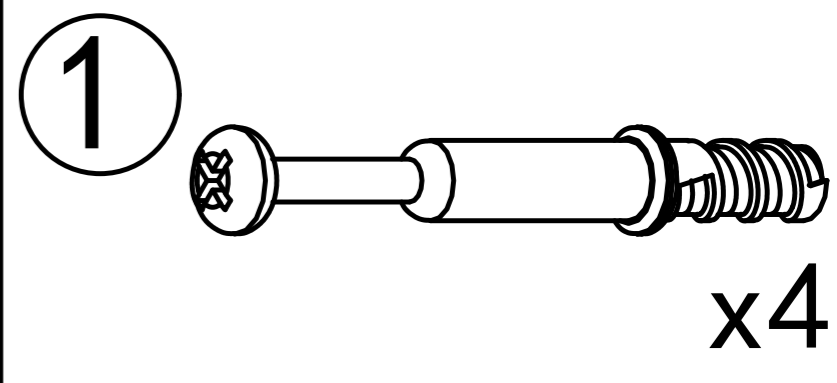
Step 4



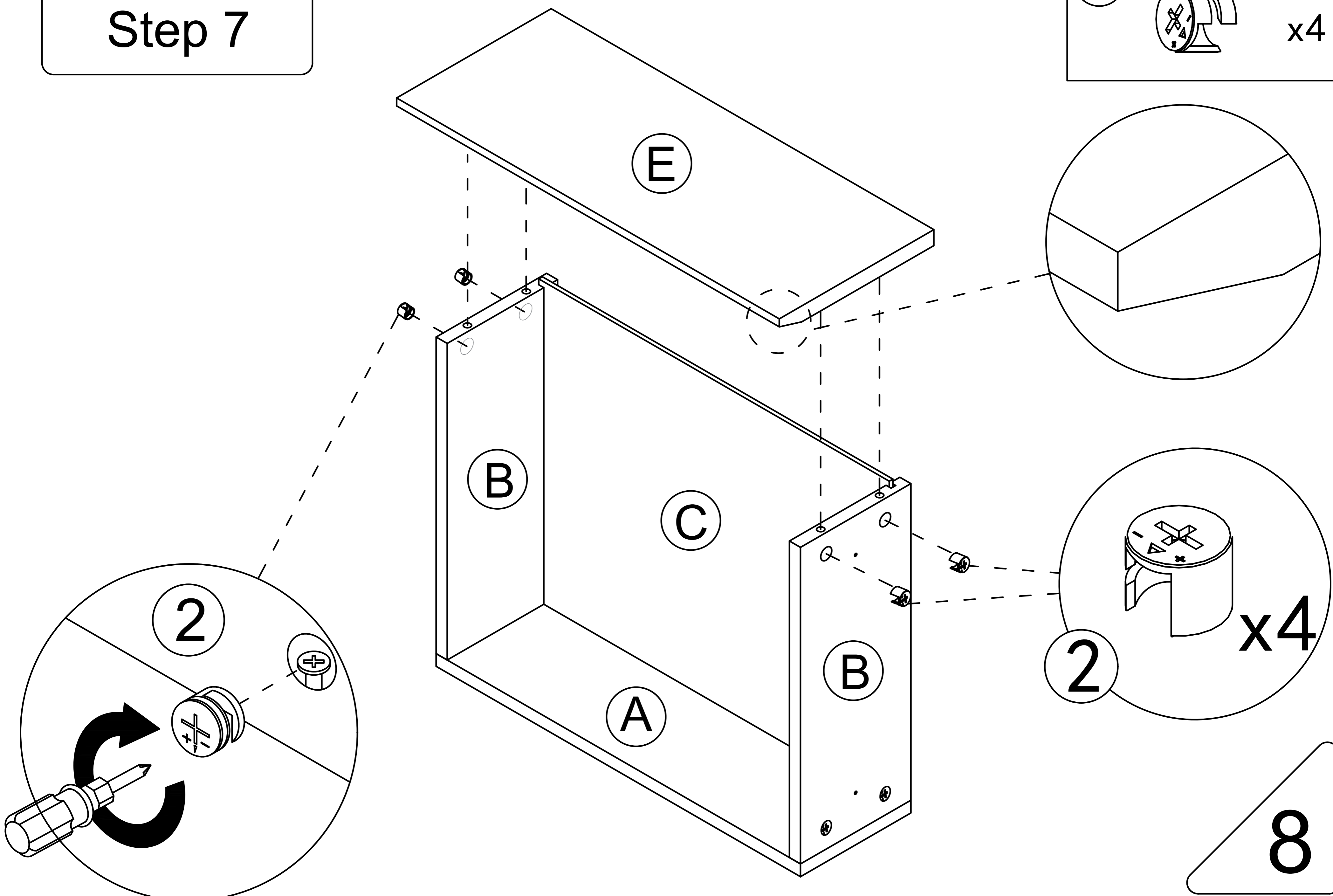
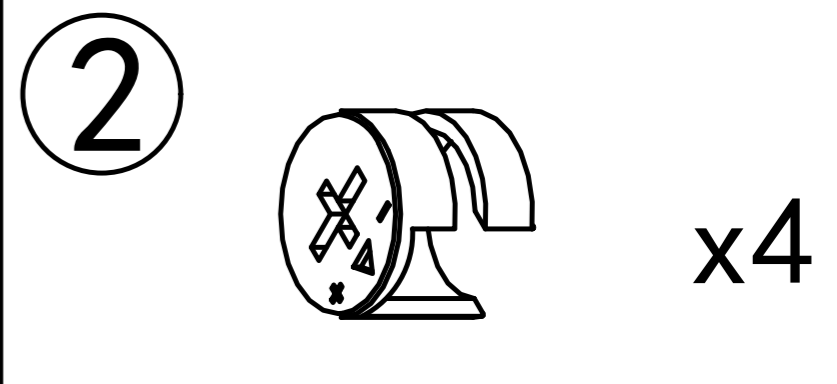
Step 5



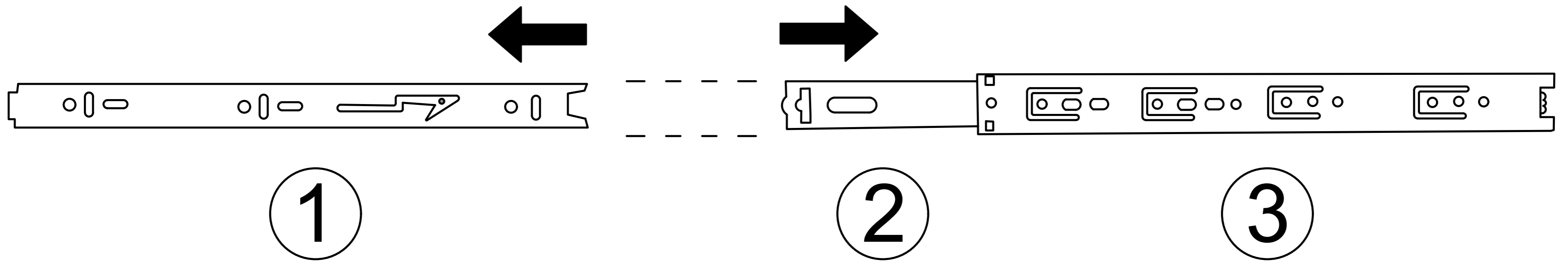
Step 6



Step 7

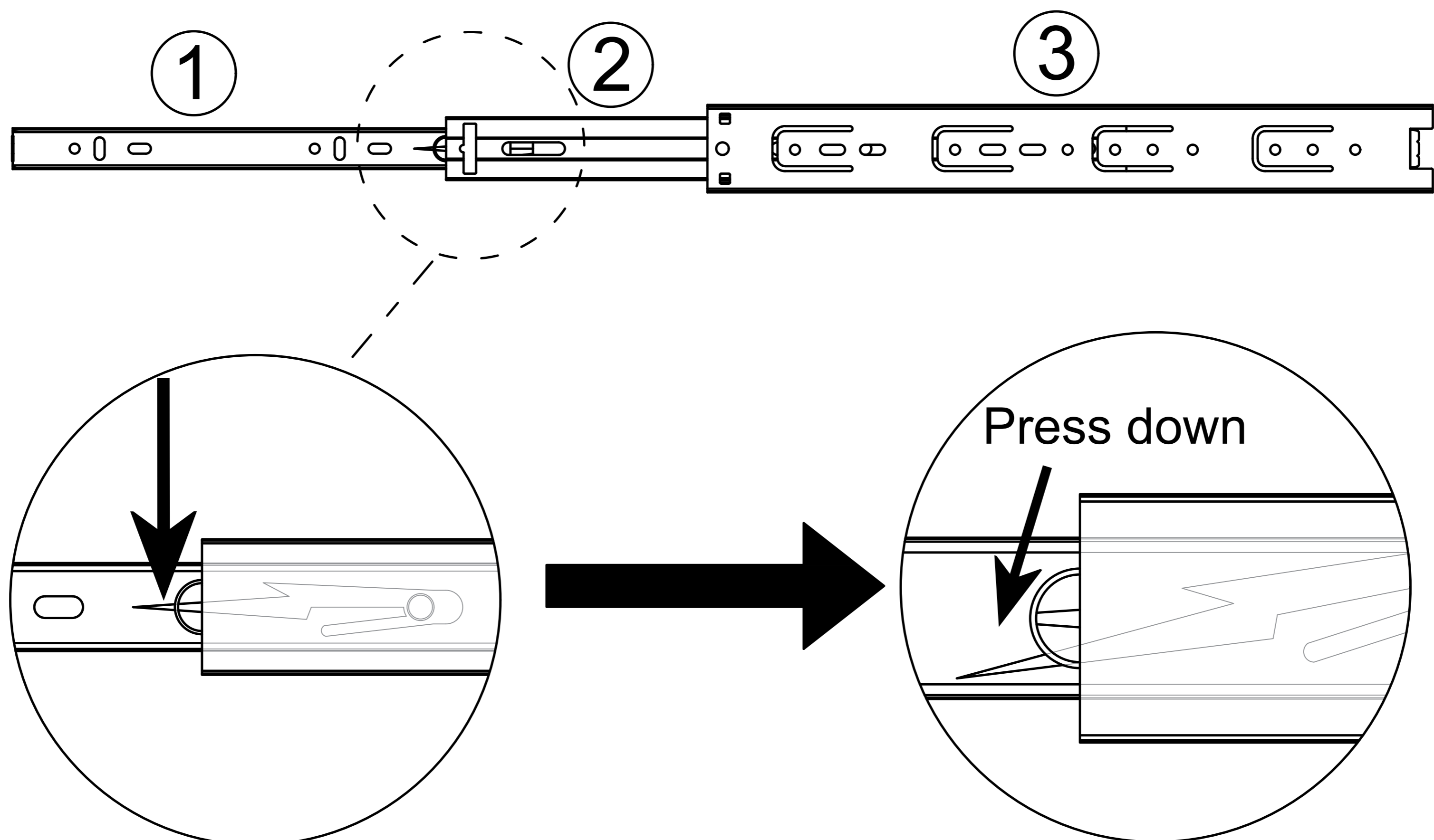


Drawer rail breakdown diagram



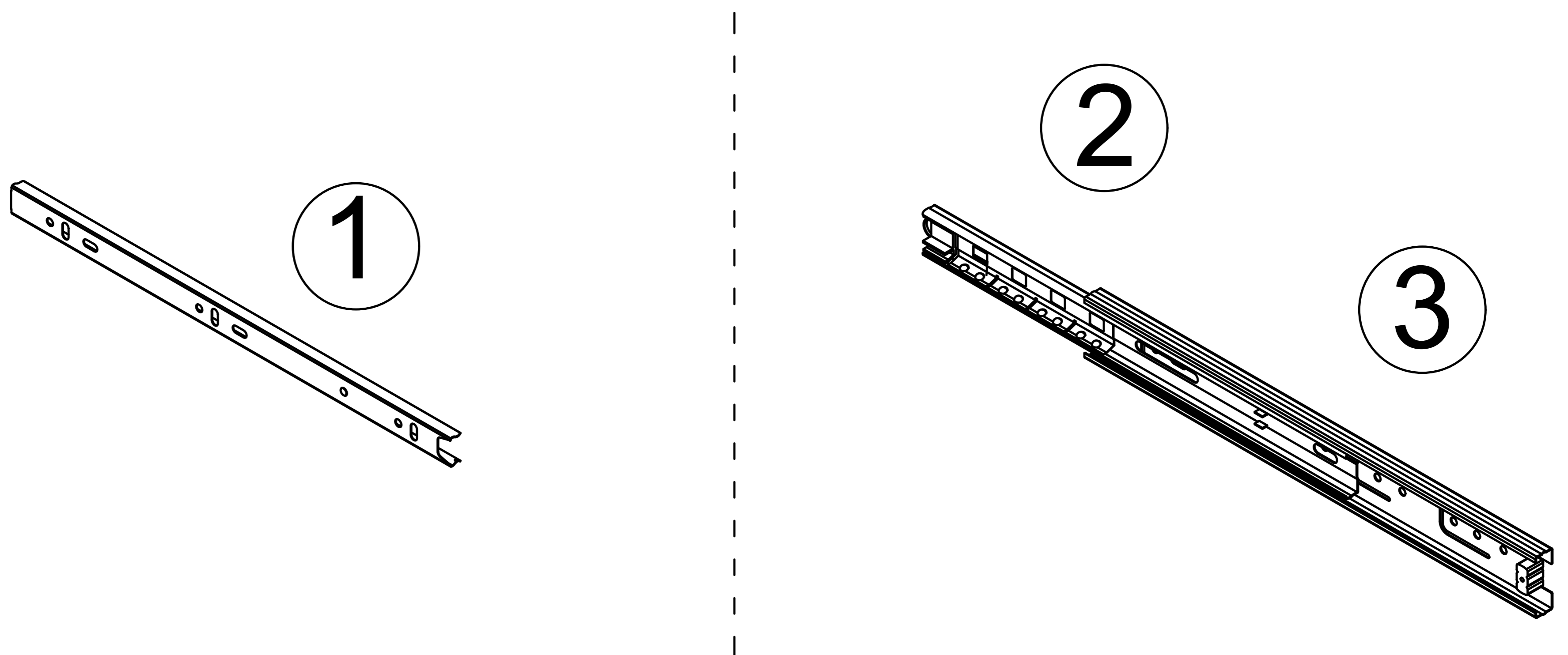
① Dismantle the schematic diagram

Step 1 : Pull the rails apart

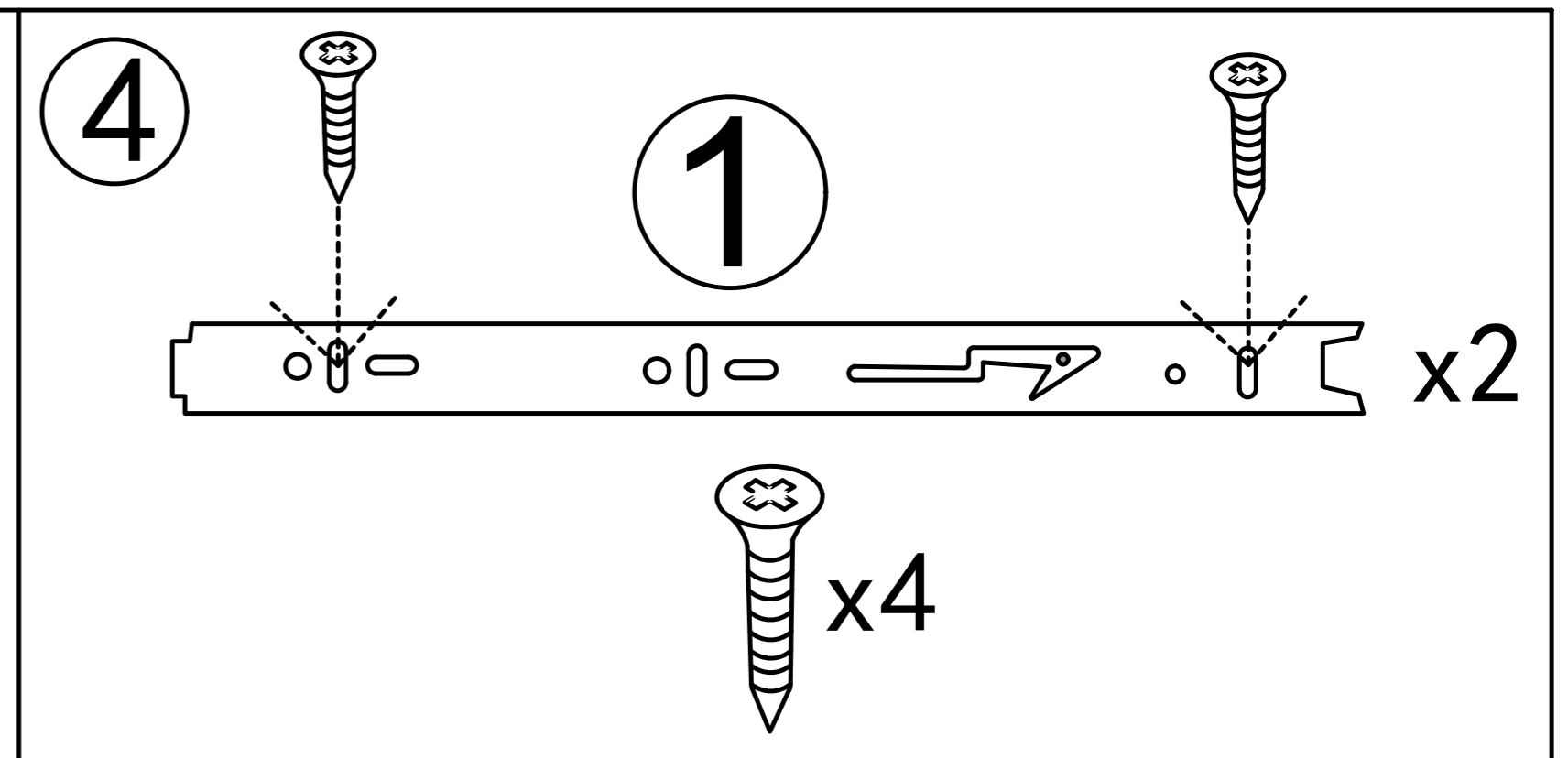
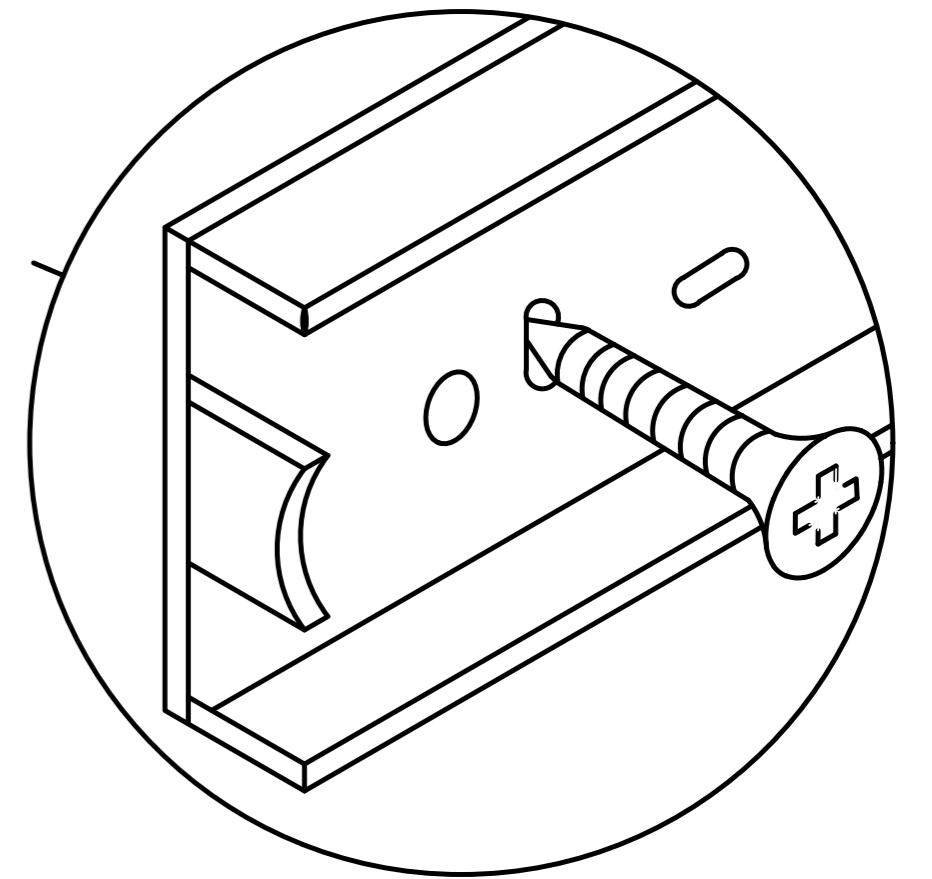
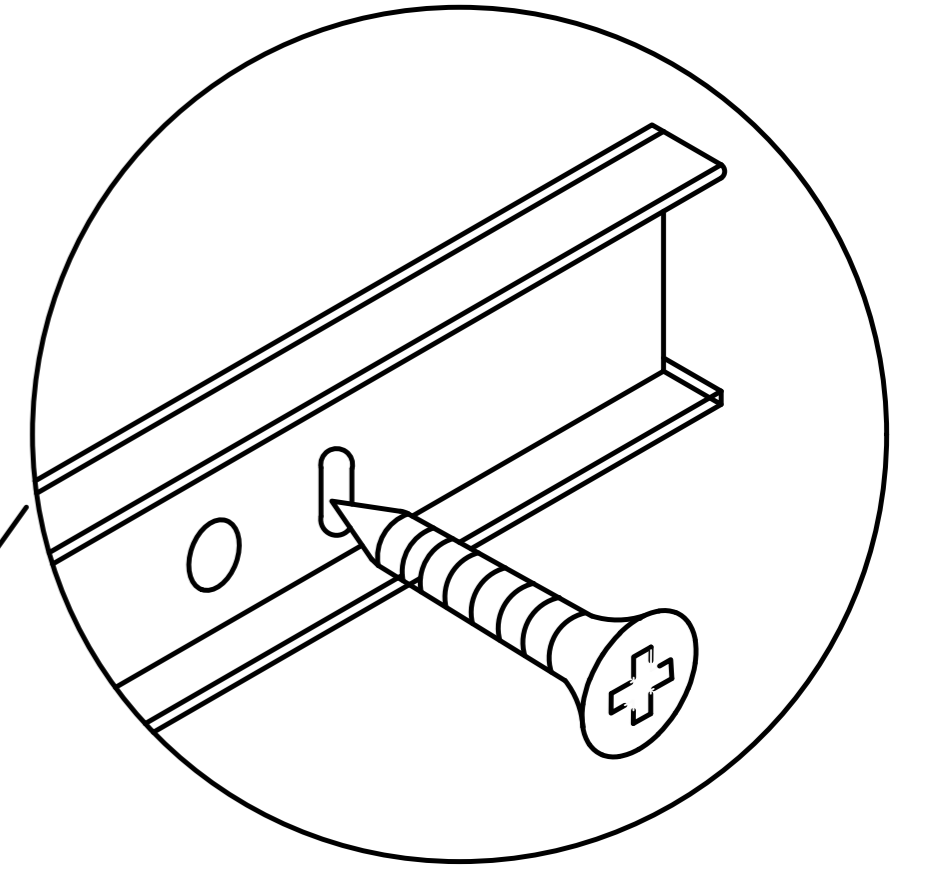
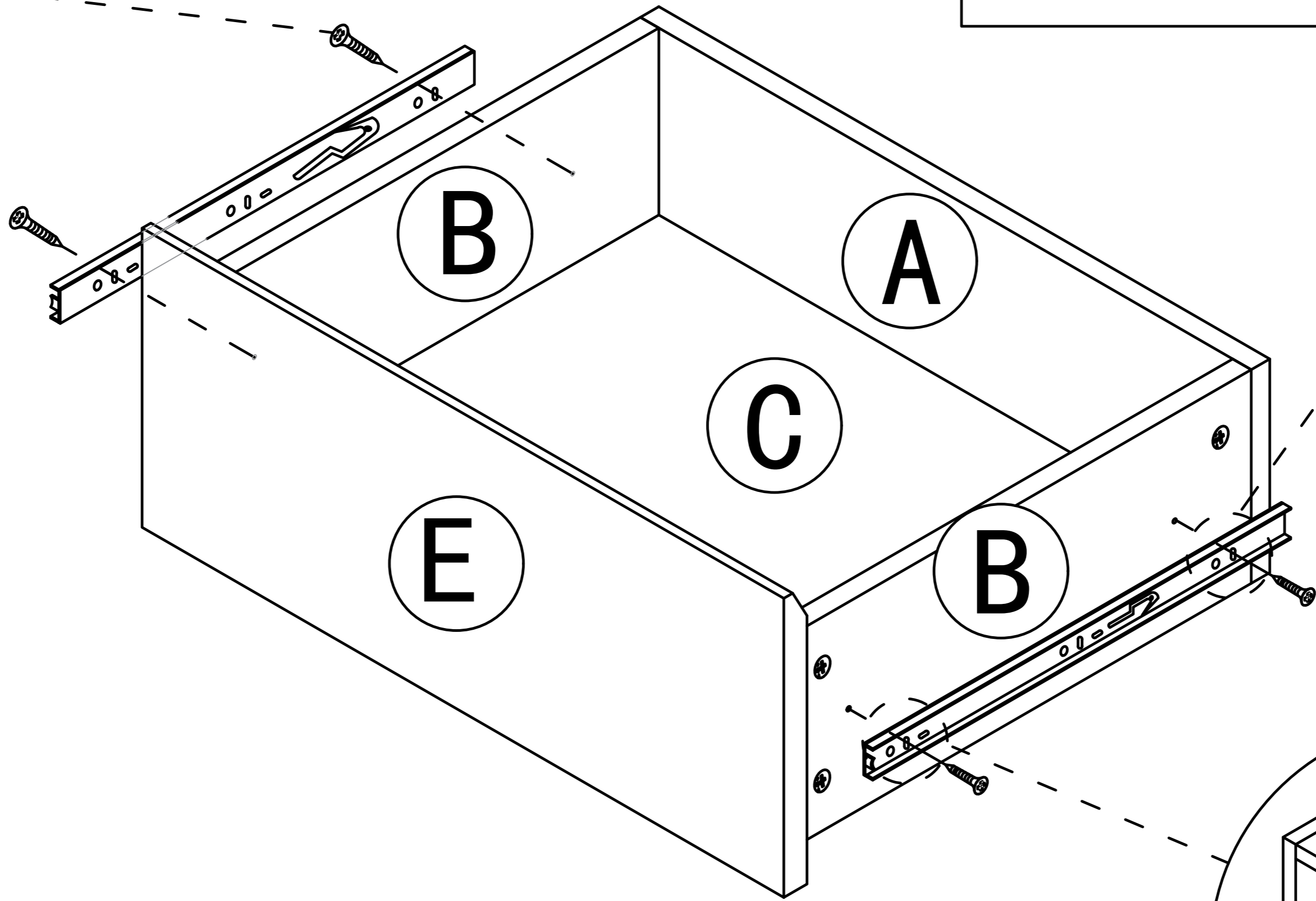
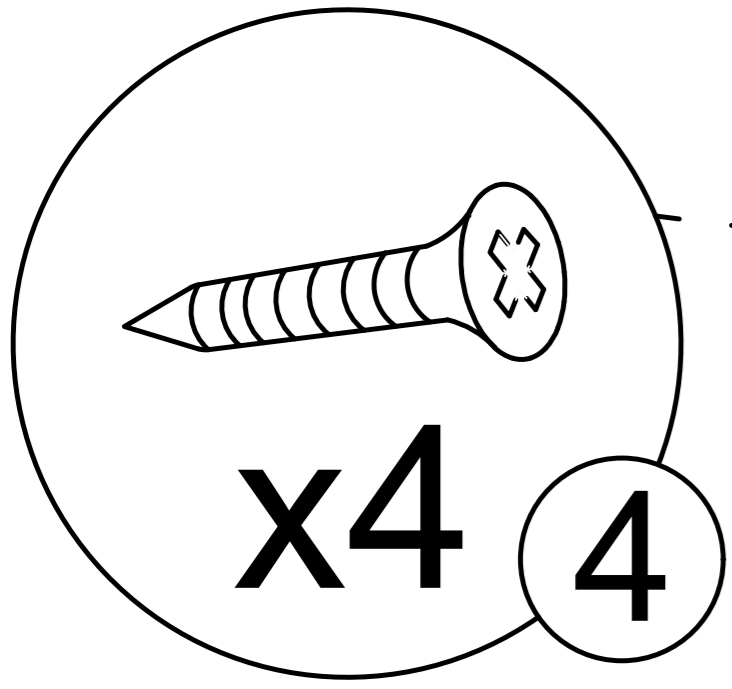


Step 2 : Press the nylon button and pull out ①.

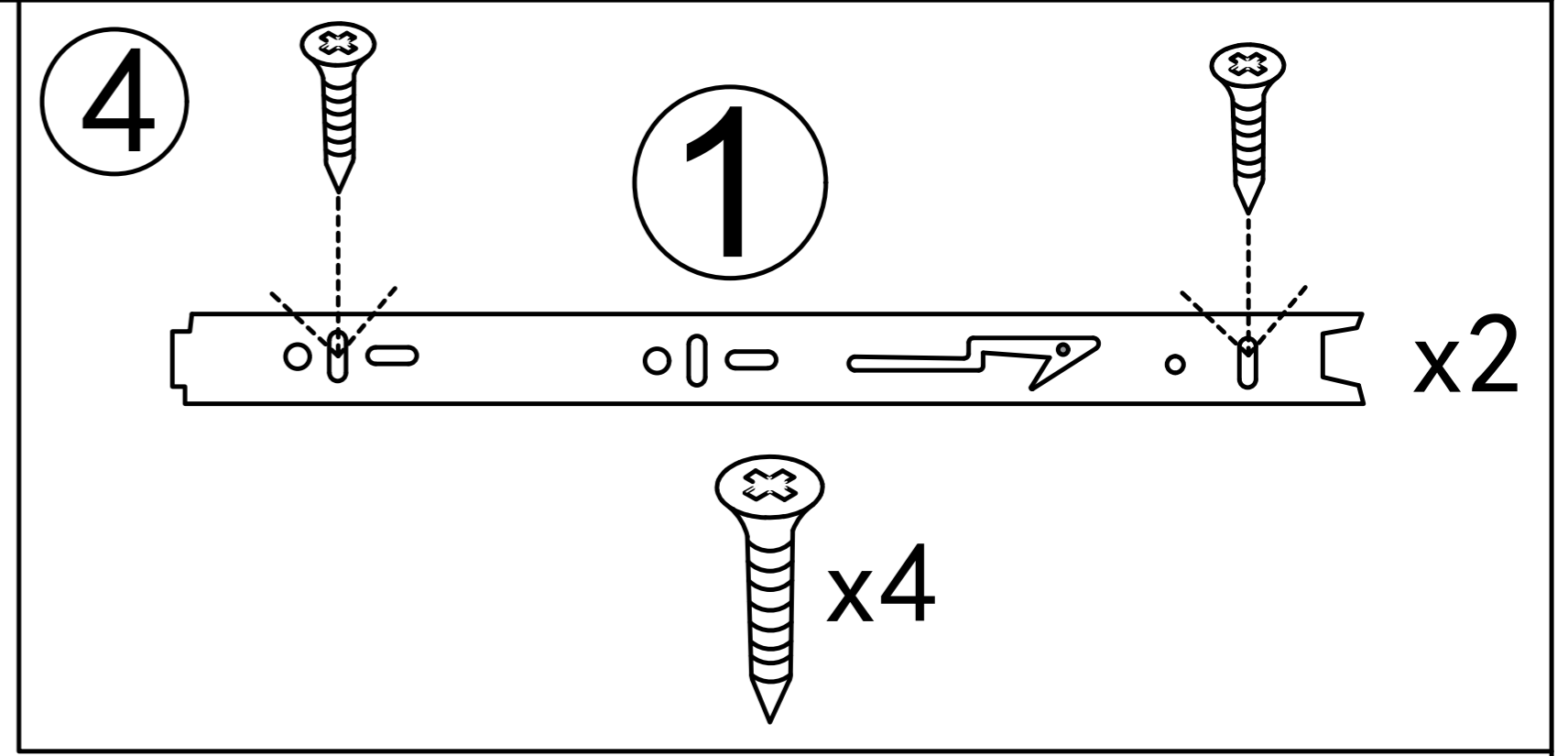
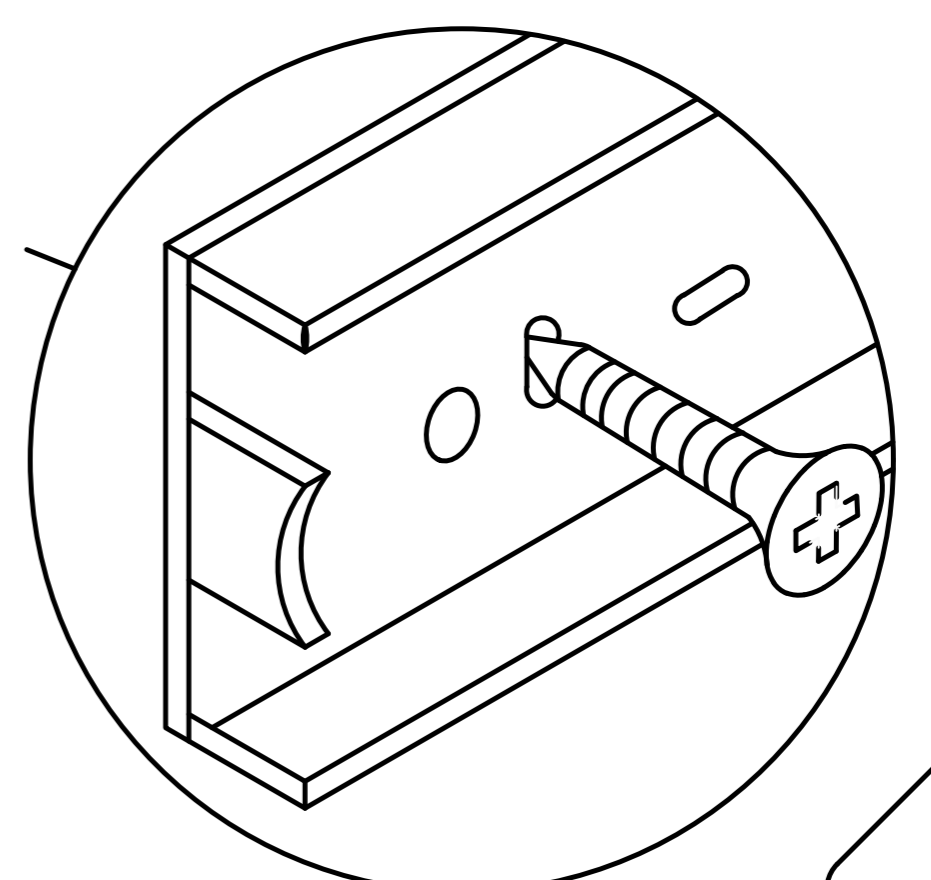
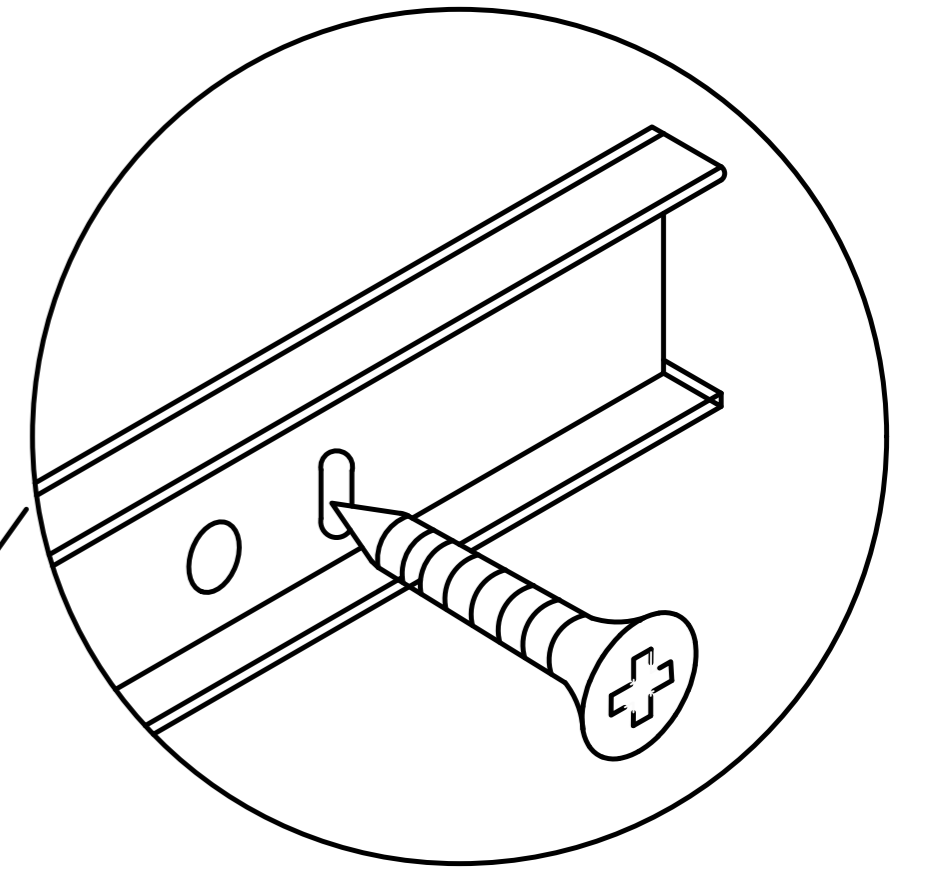
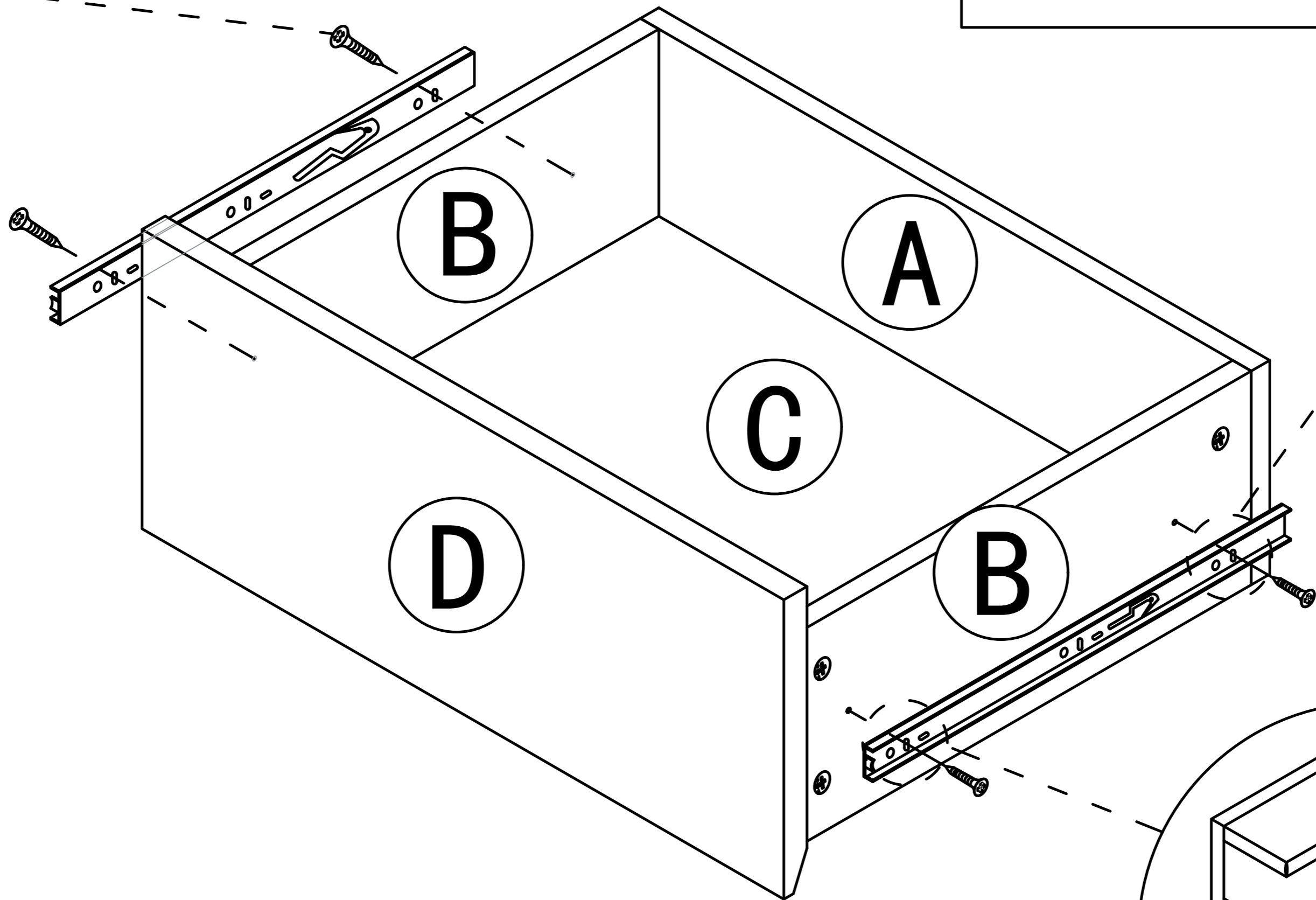
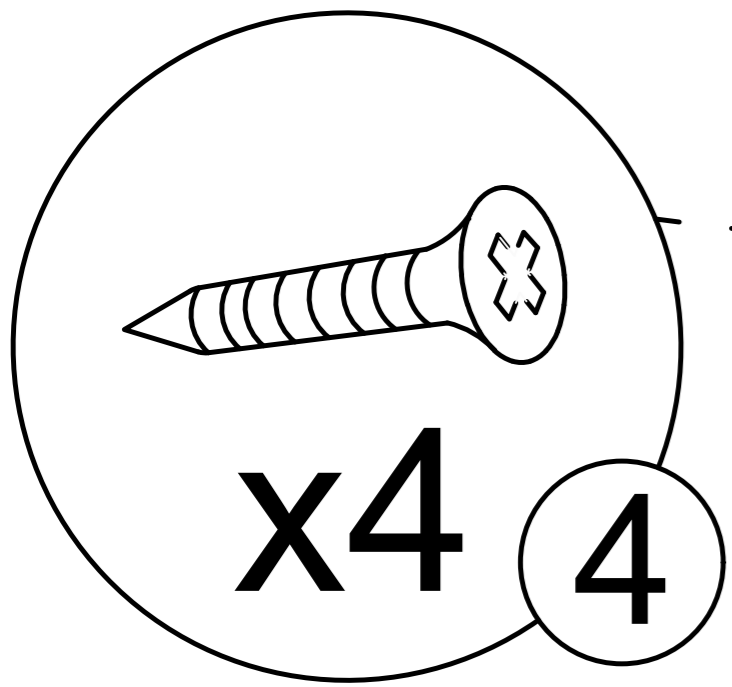
Drawer rail decomposition completed schematic diagram

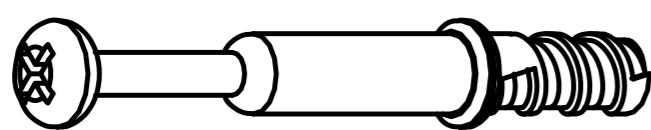
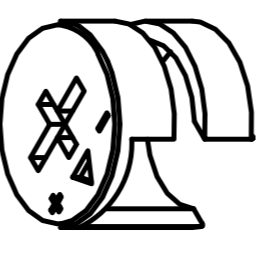

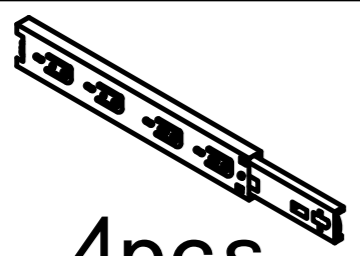

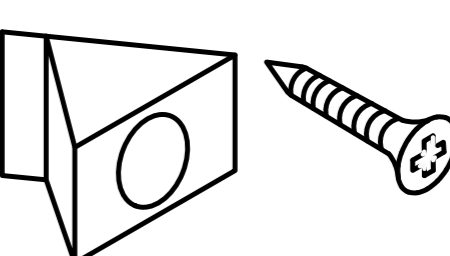
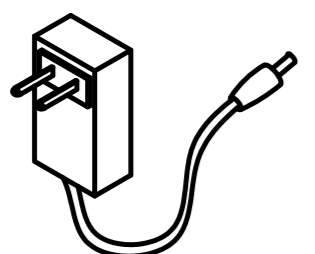


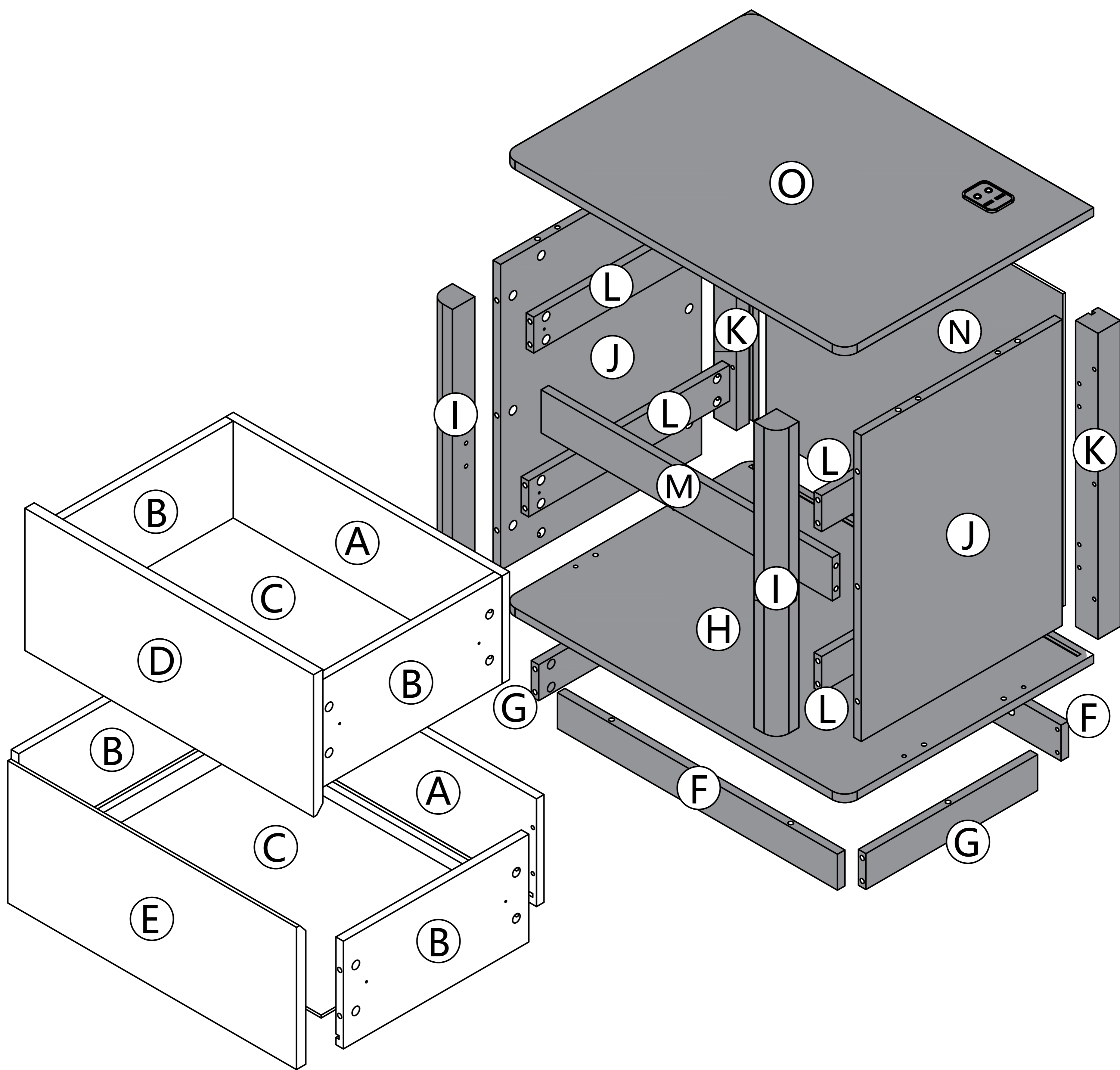
Step 8



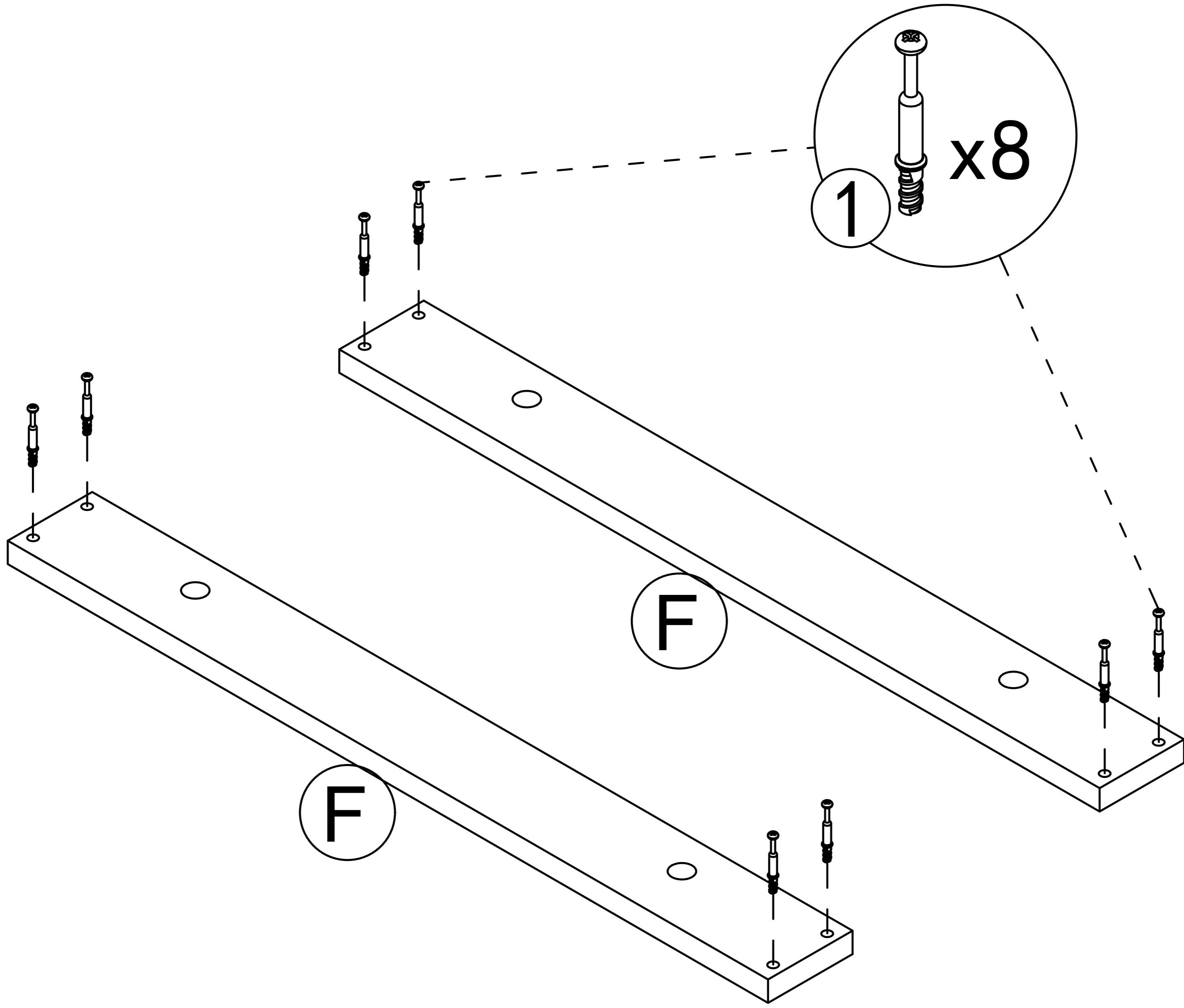
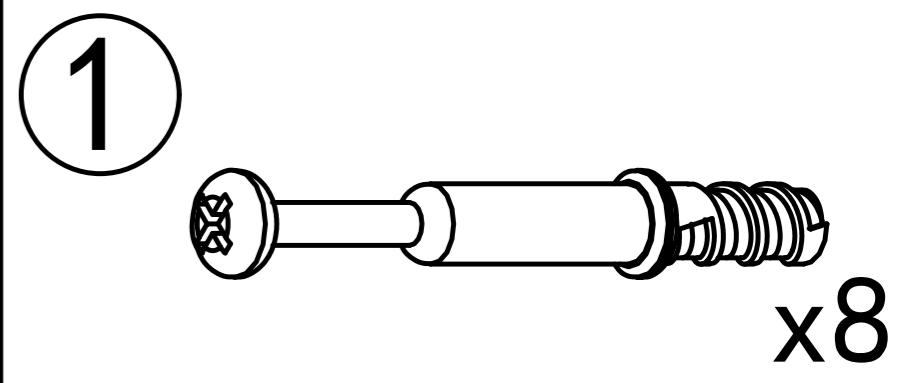
Step 9



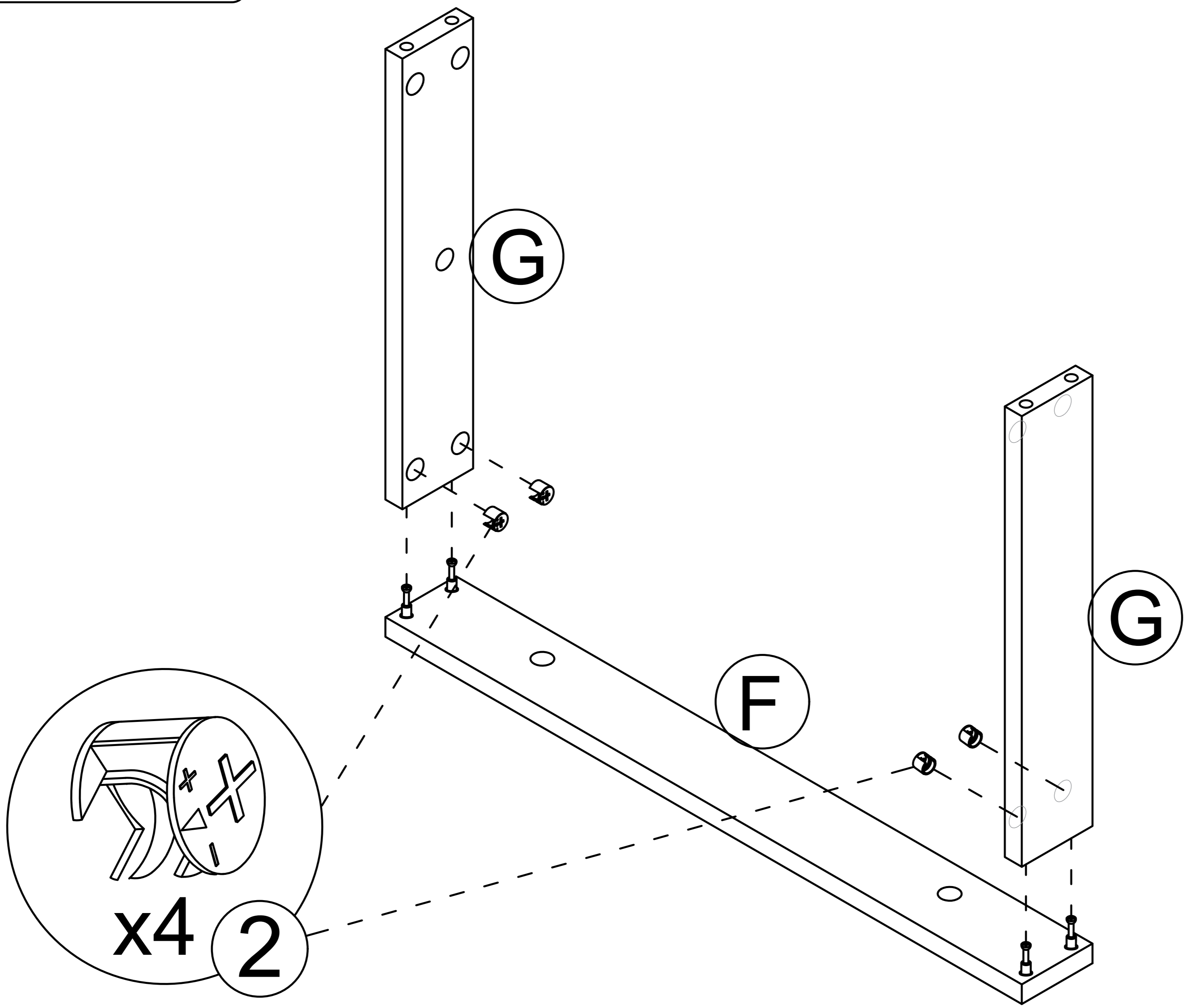
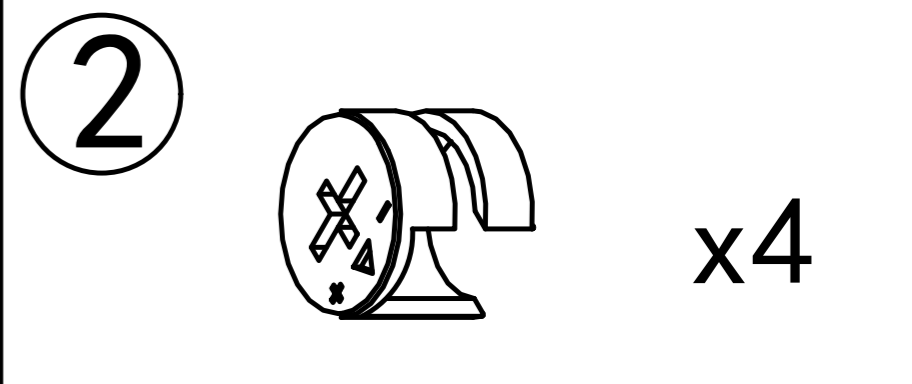
①		54pcs	②		54pcs	③		8pcs
④		4pcs	⑤		4pcs	⑥		4pcs
		1pcs						



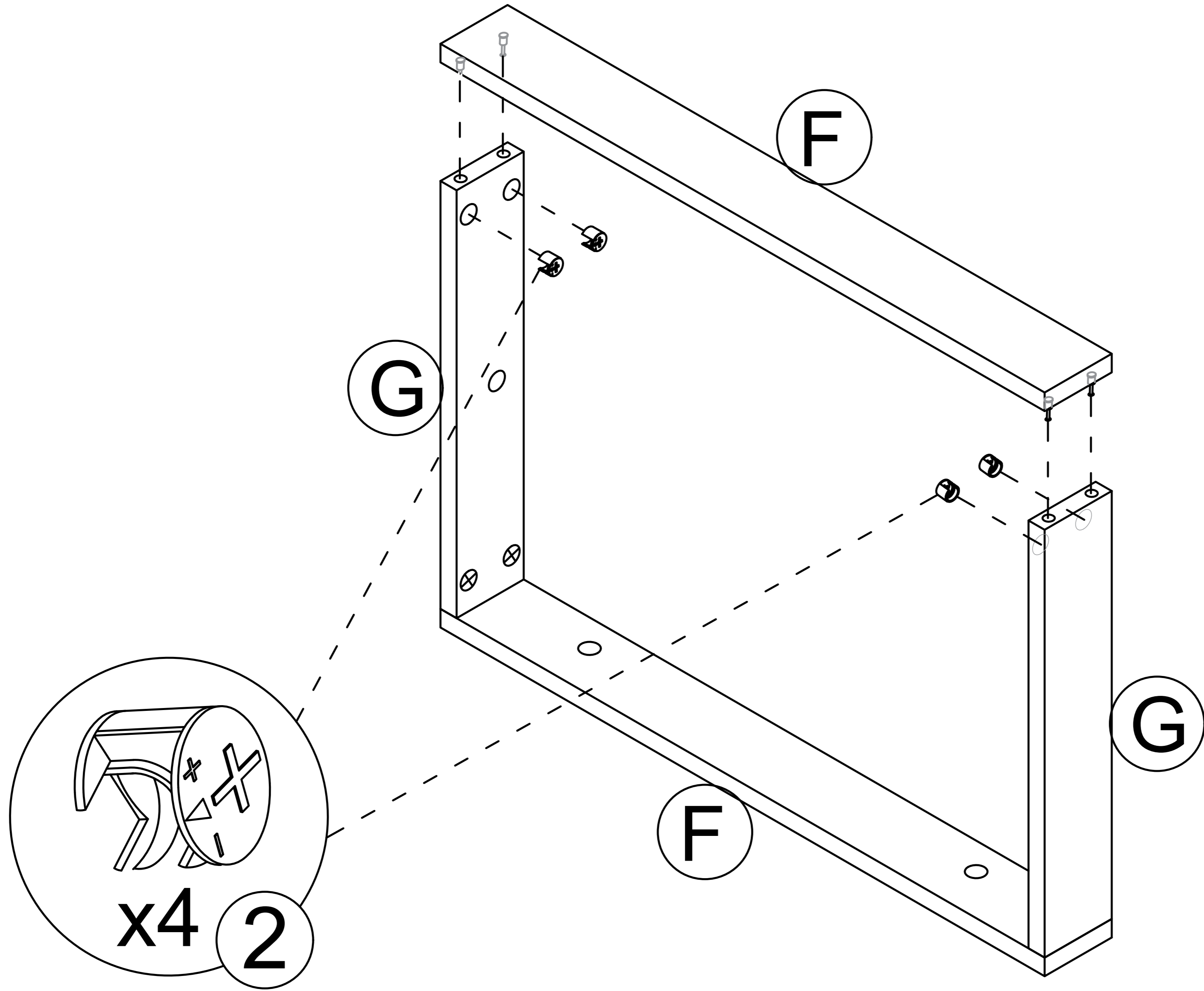
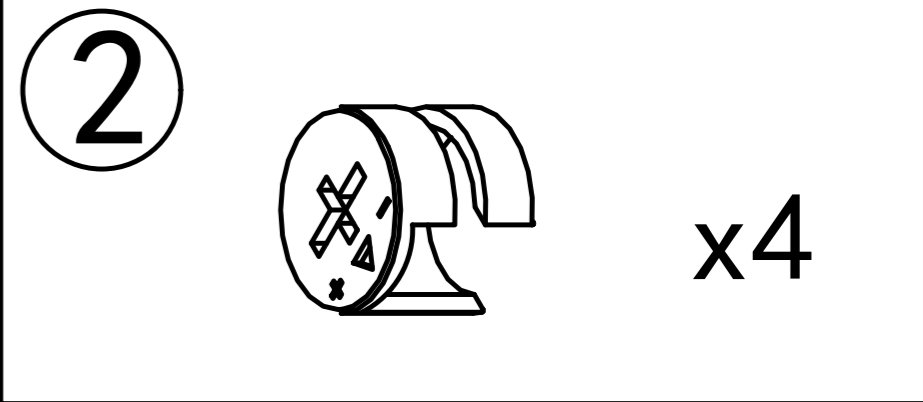
Step 10



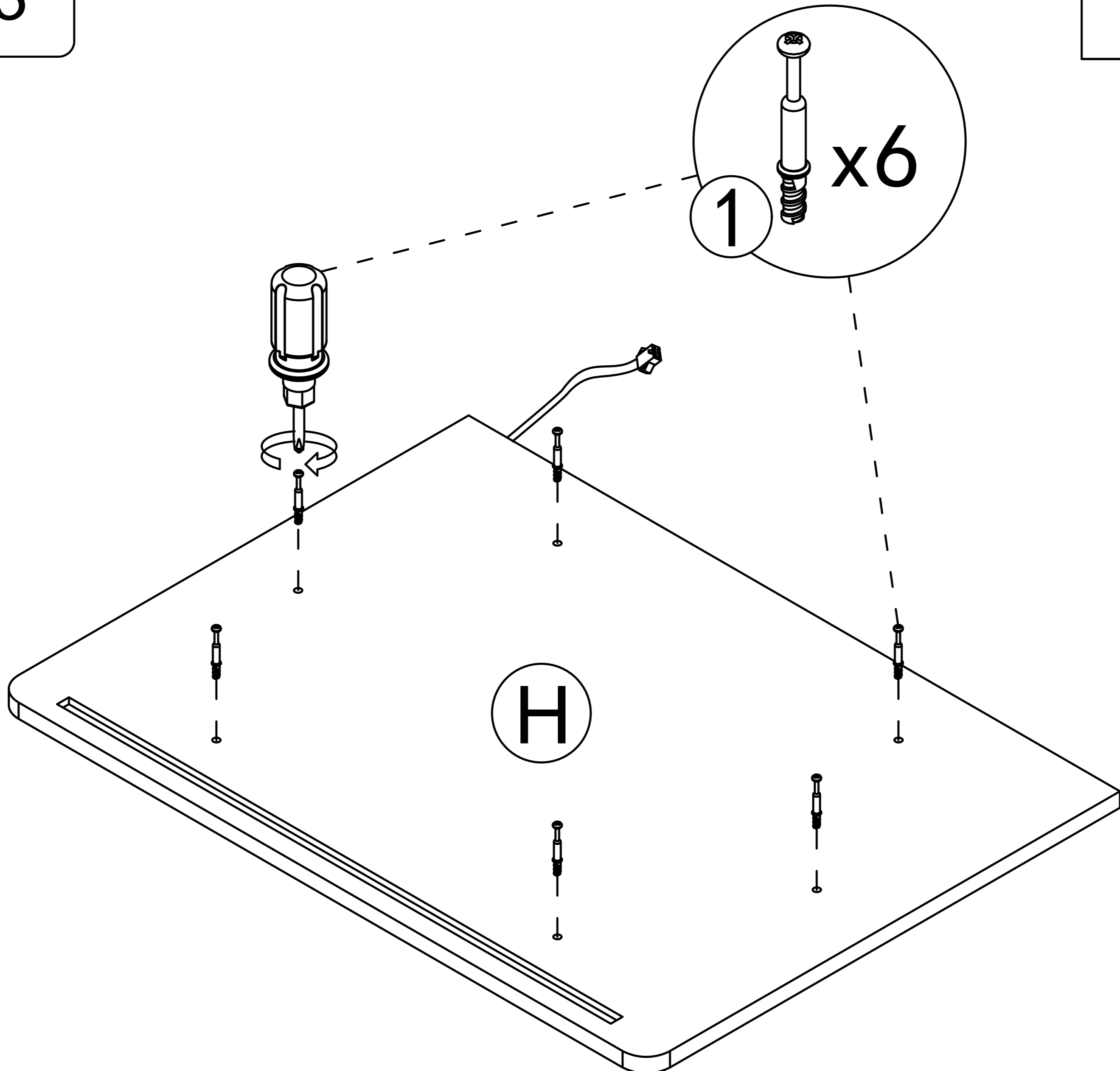
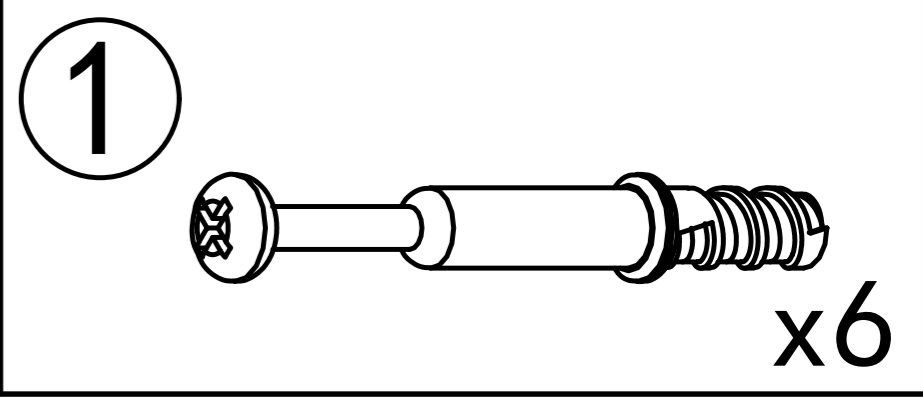
Step 11



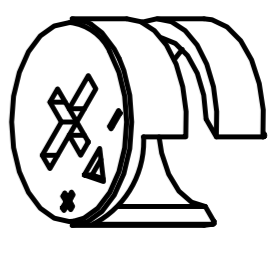
Step 12

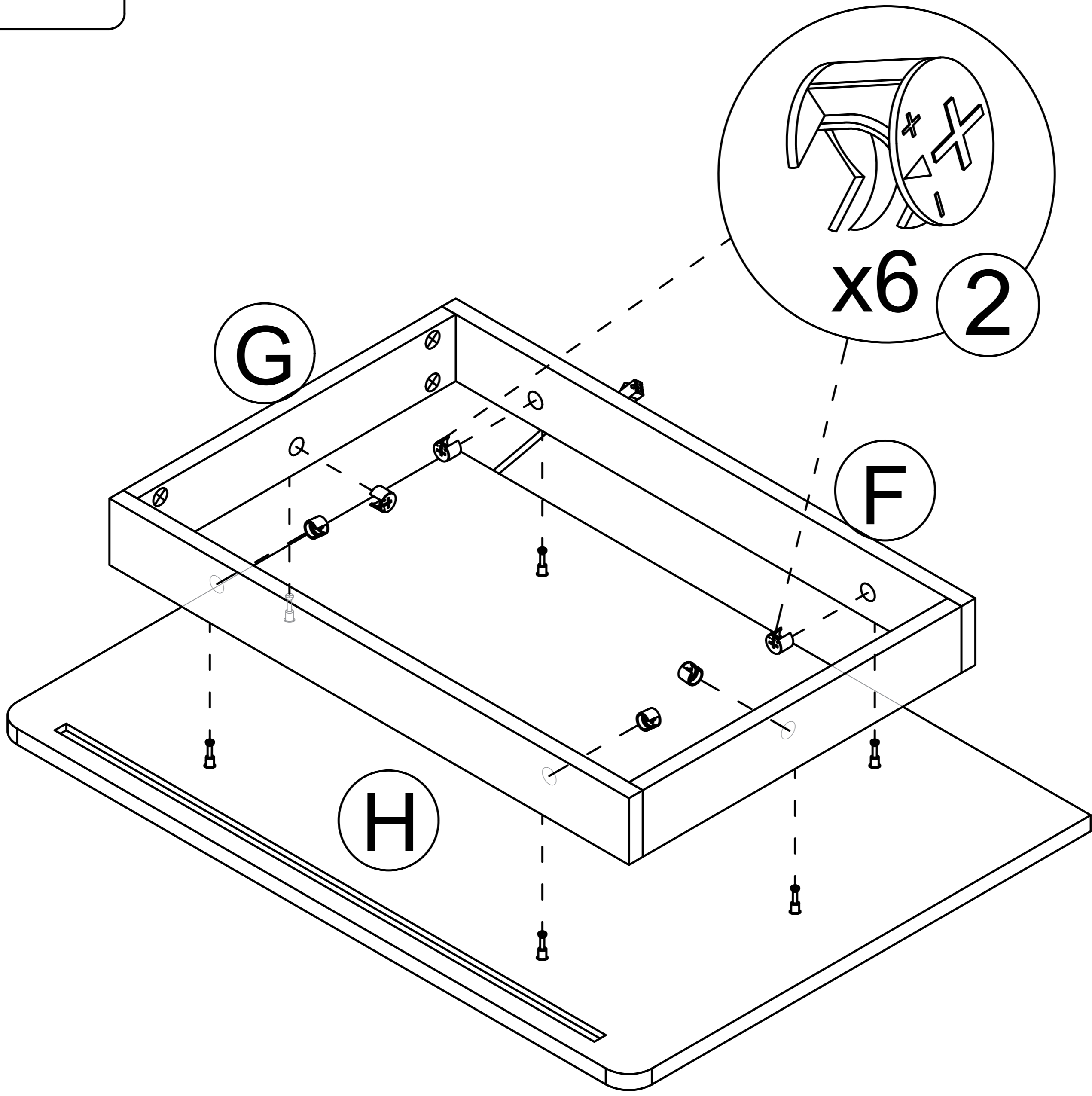


Step 13



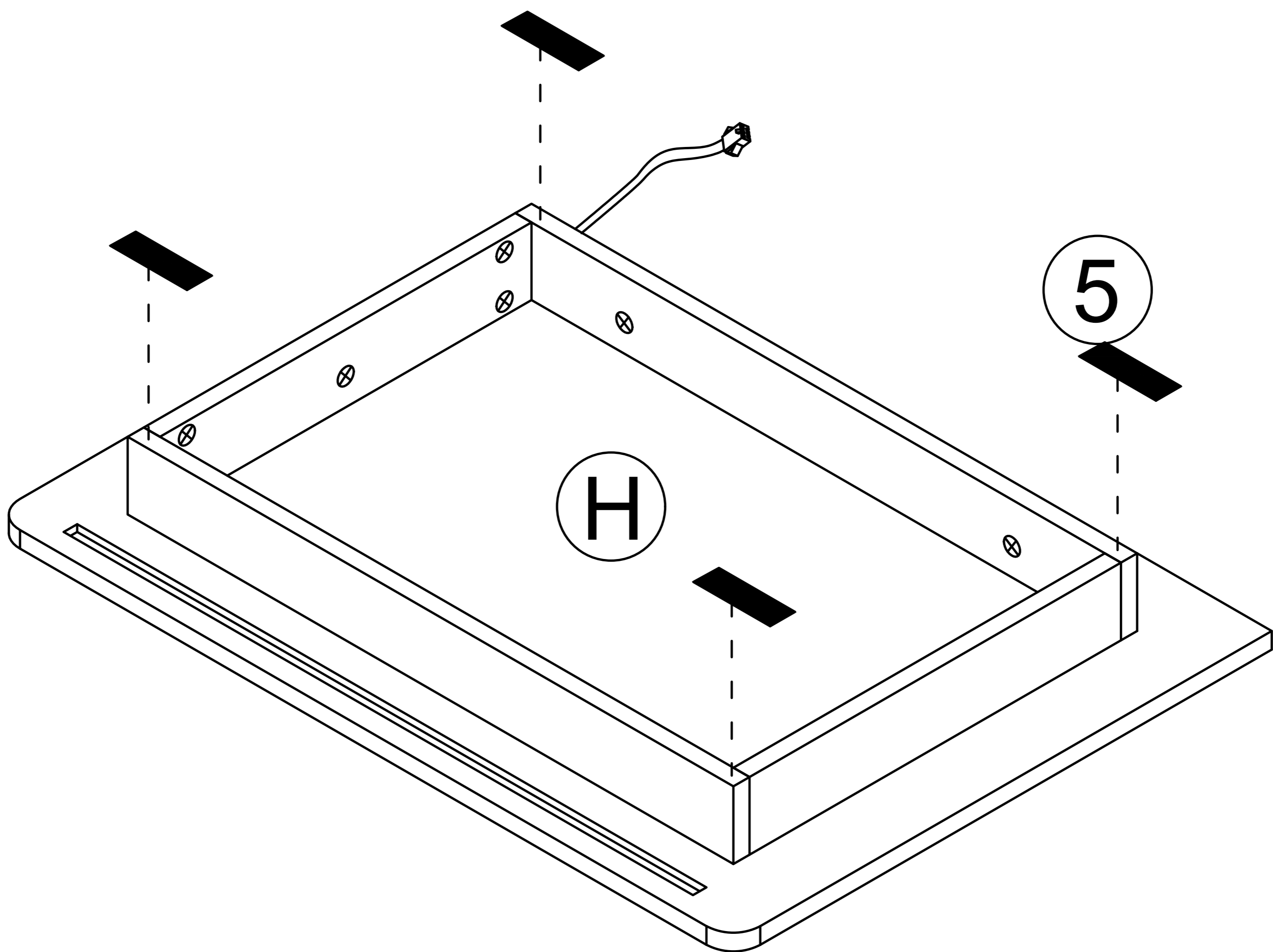
Step 14

②  x6

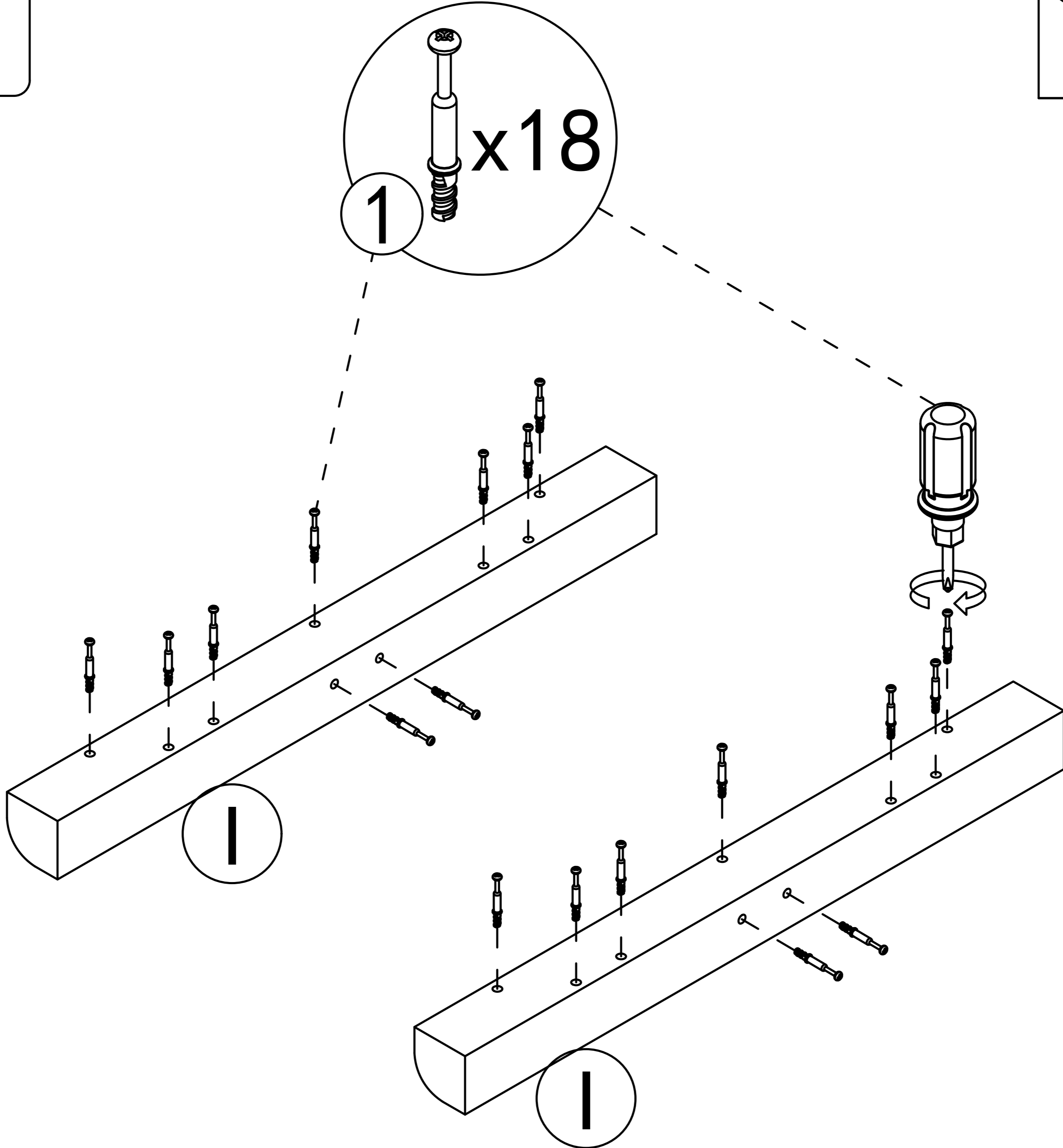
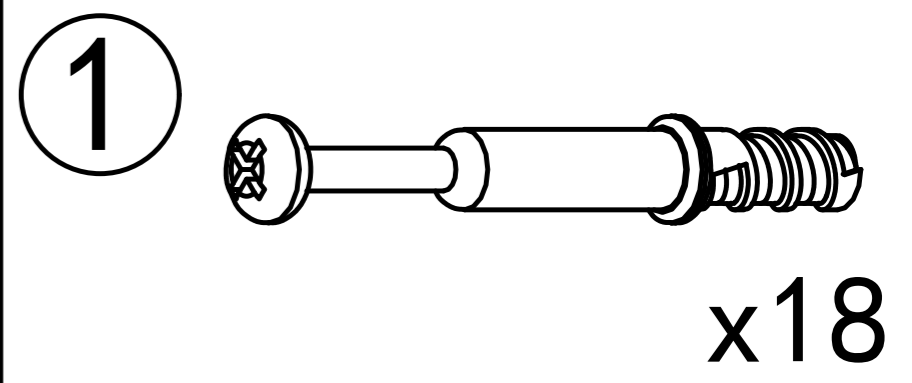


Step 15

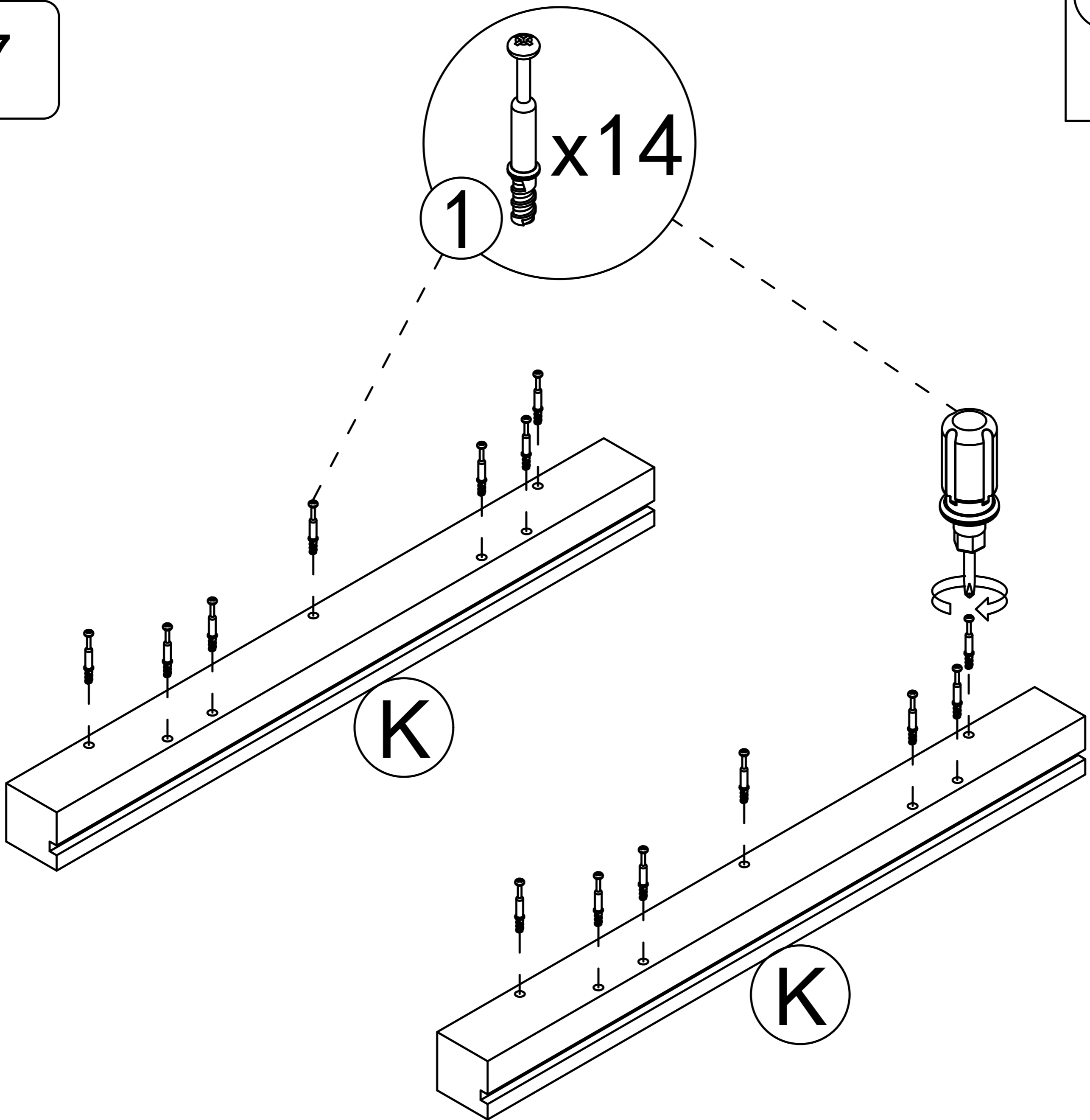
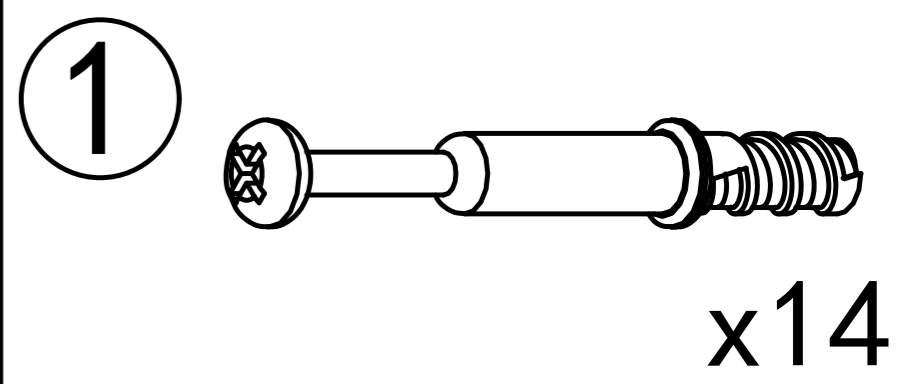
⑤  x4



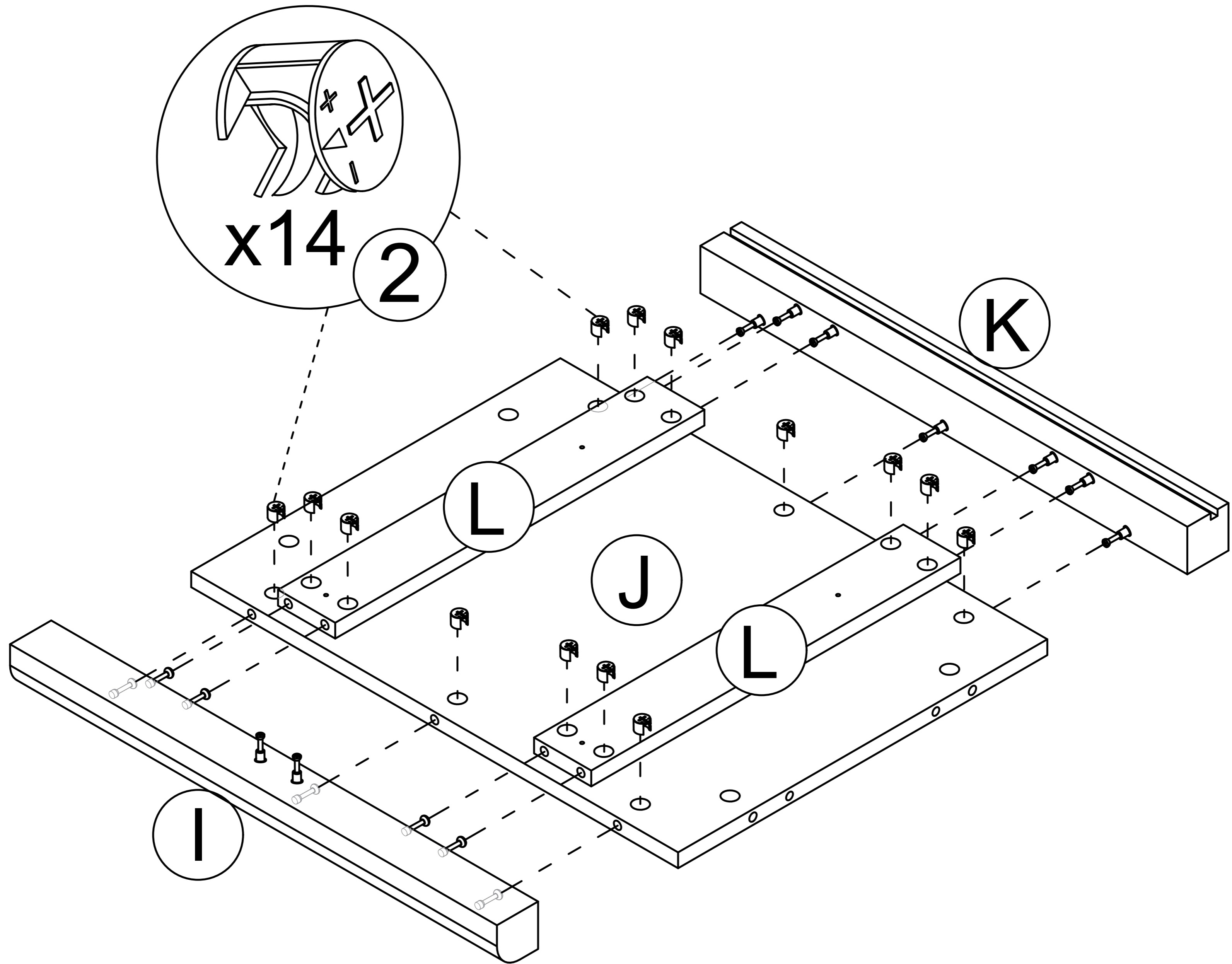
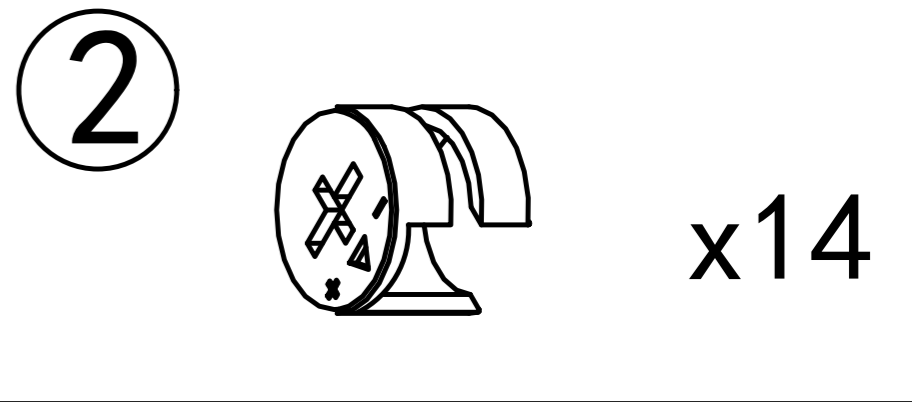
Step 16



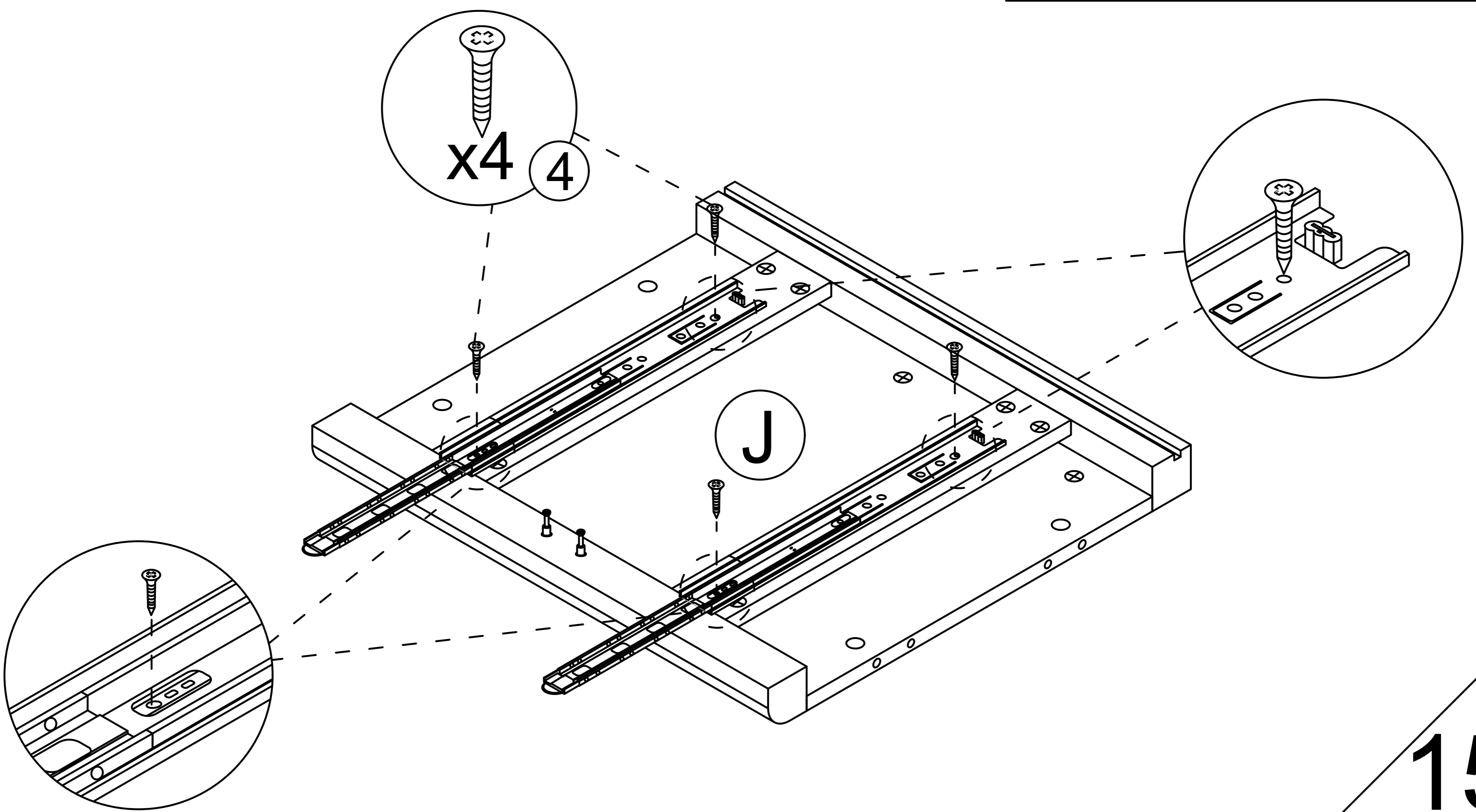
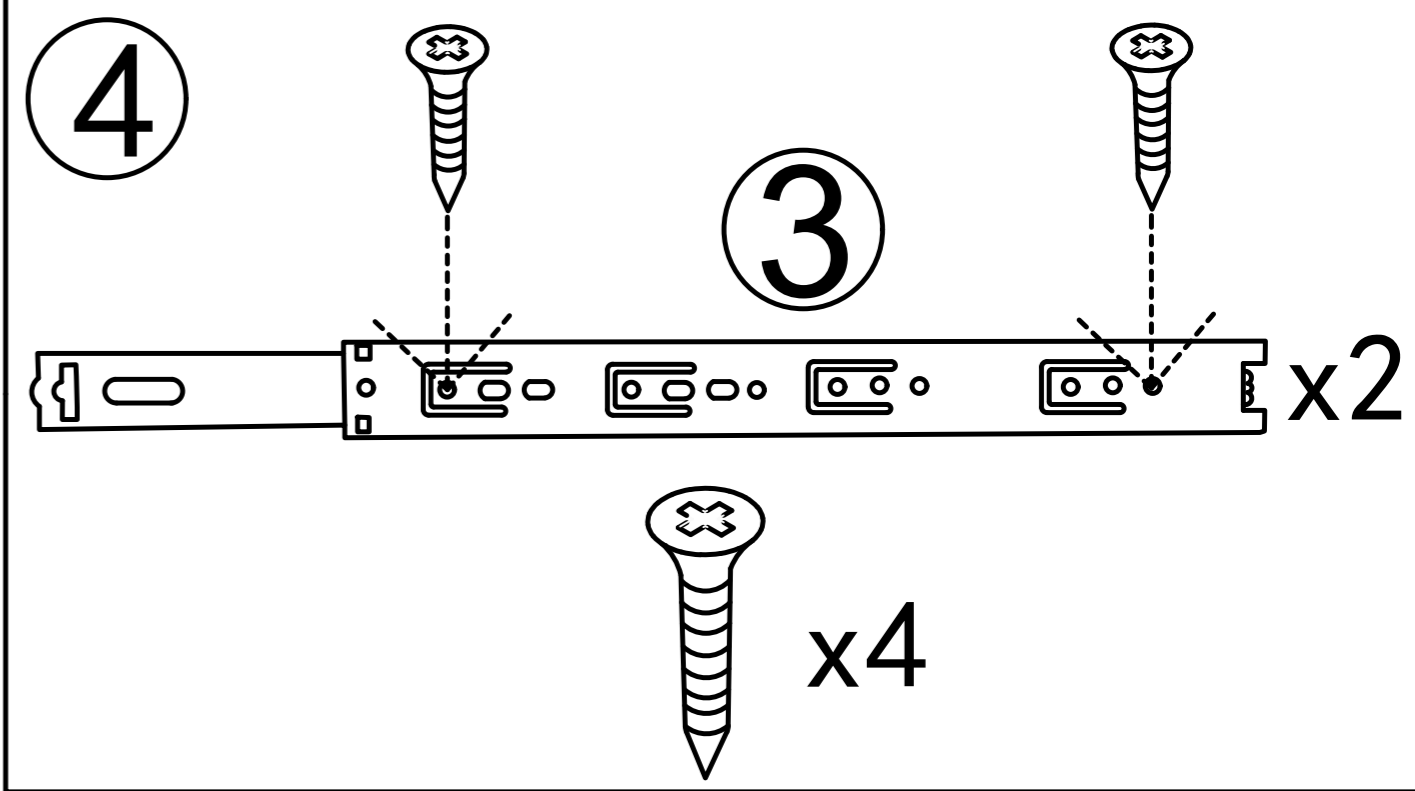
Step 17



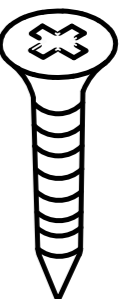
Step 18

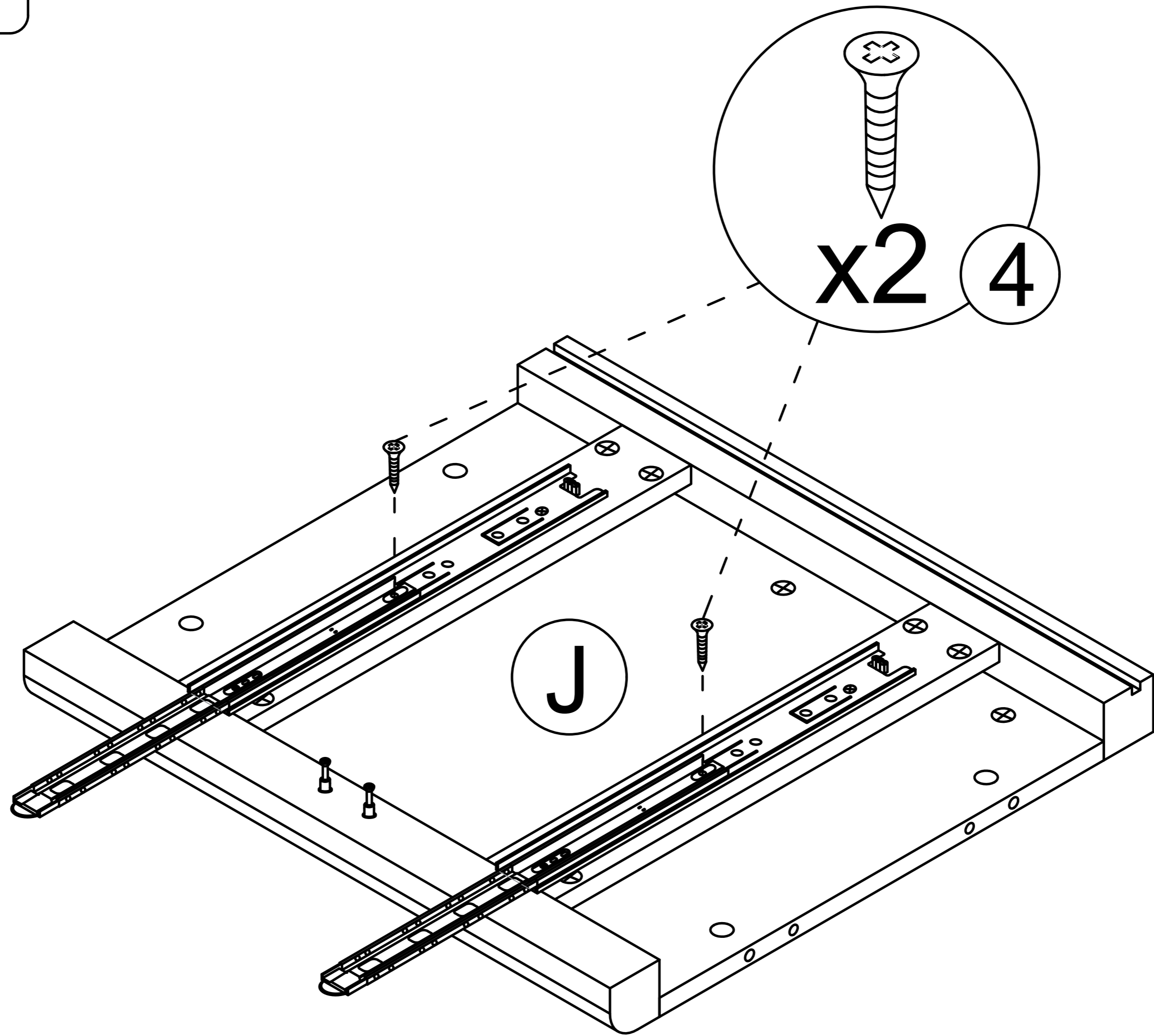


Step 19



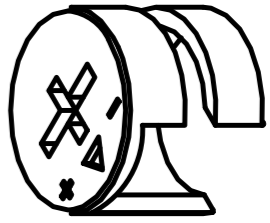
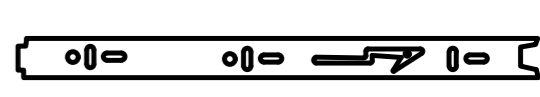

Step 20

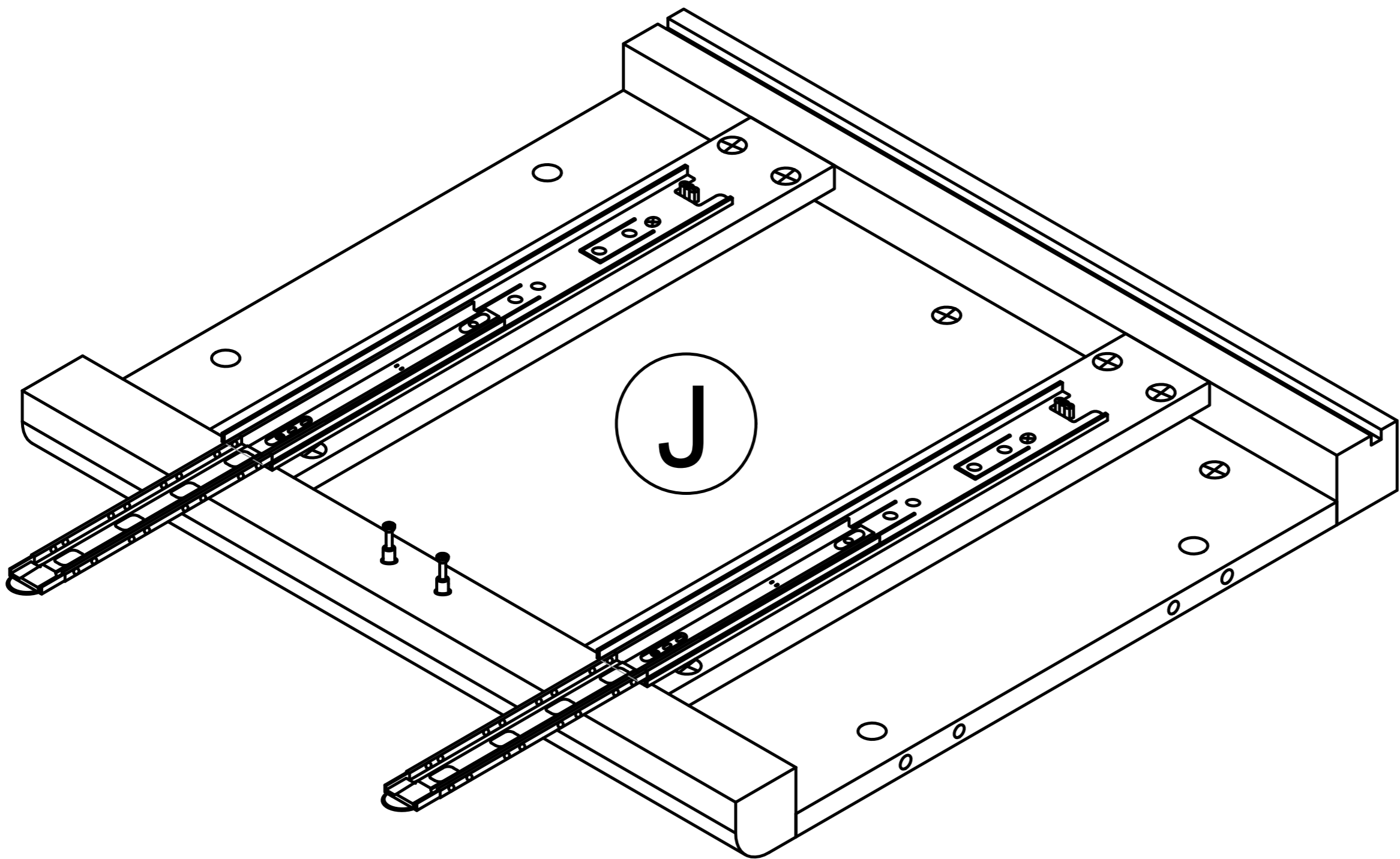
- ④  x2



This hole is for strengthening fixed hole customers can choose to install according to their needs.

Step 21

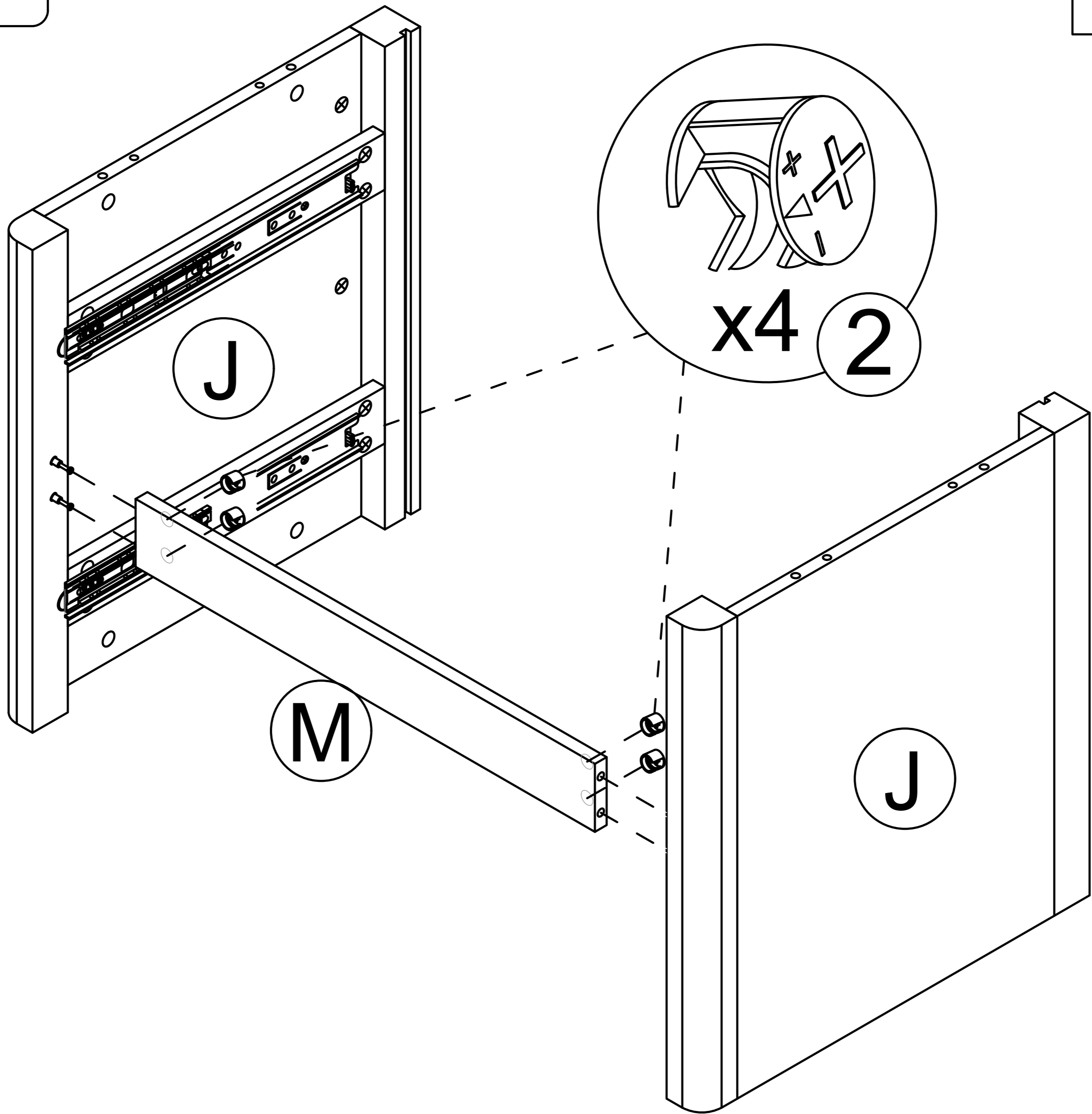
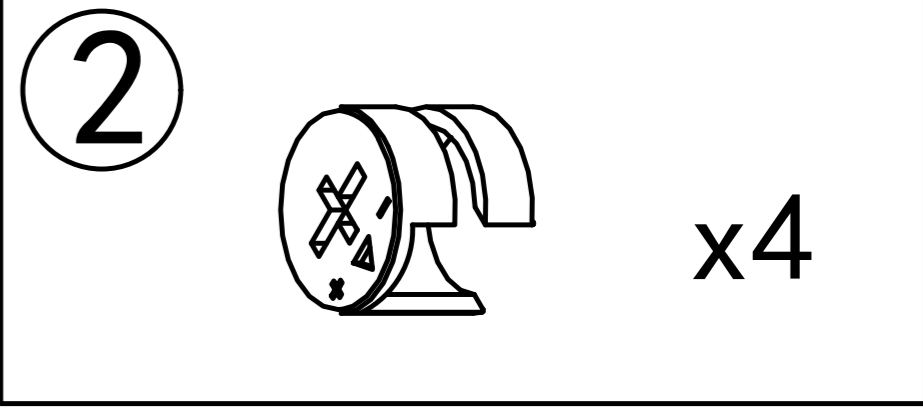
- ②  x14
- ④  x2
-  x6



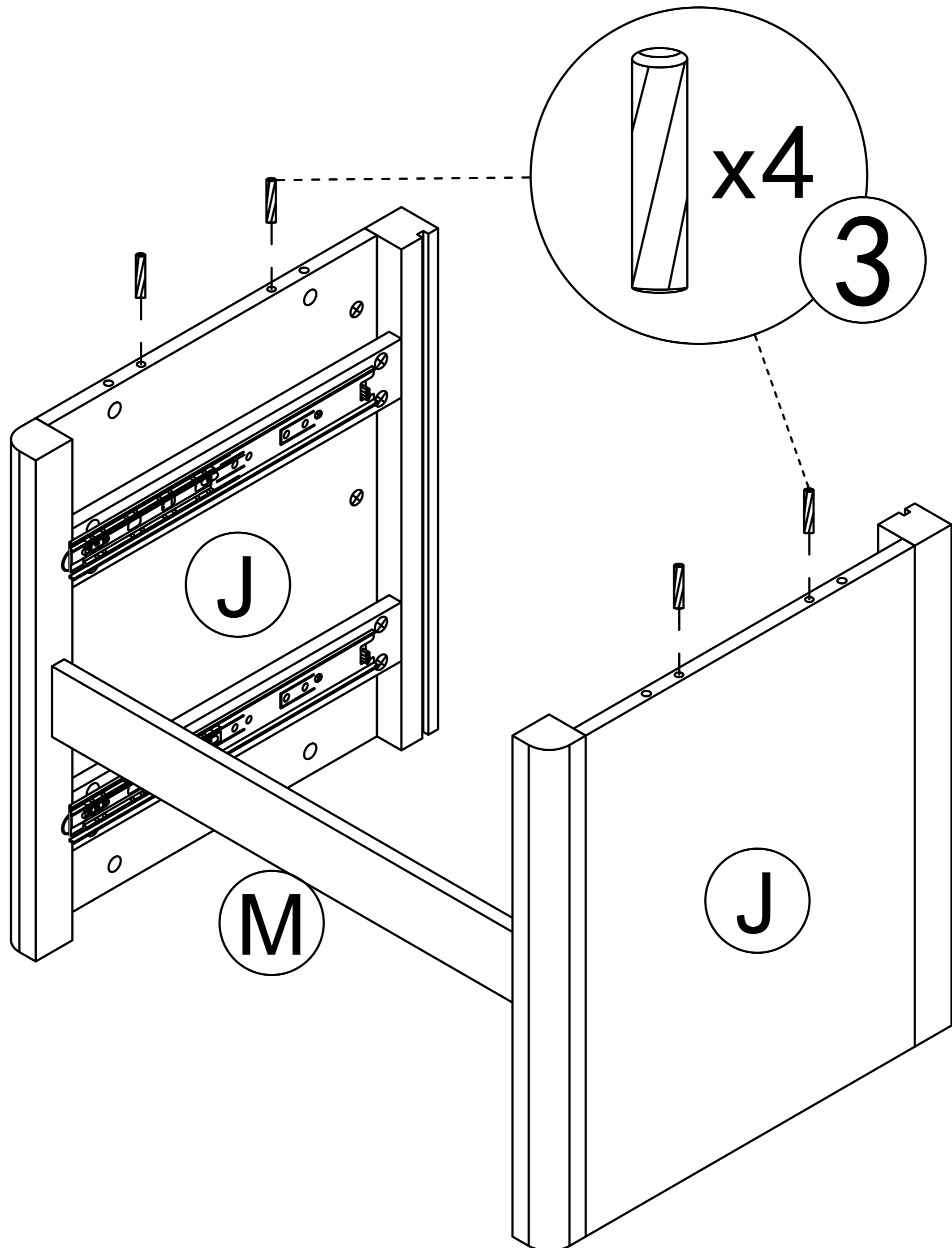
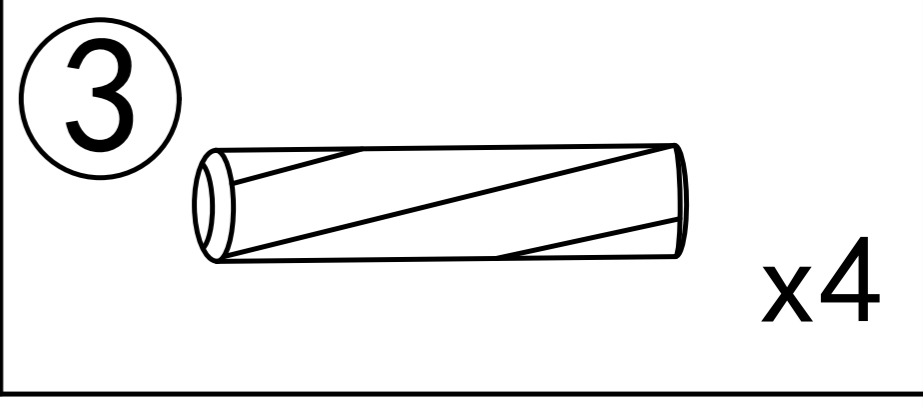
x2

Repeat the installation steps of 18/19/20

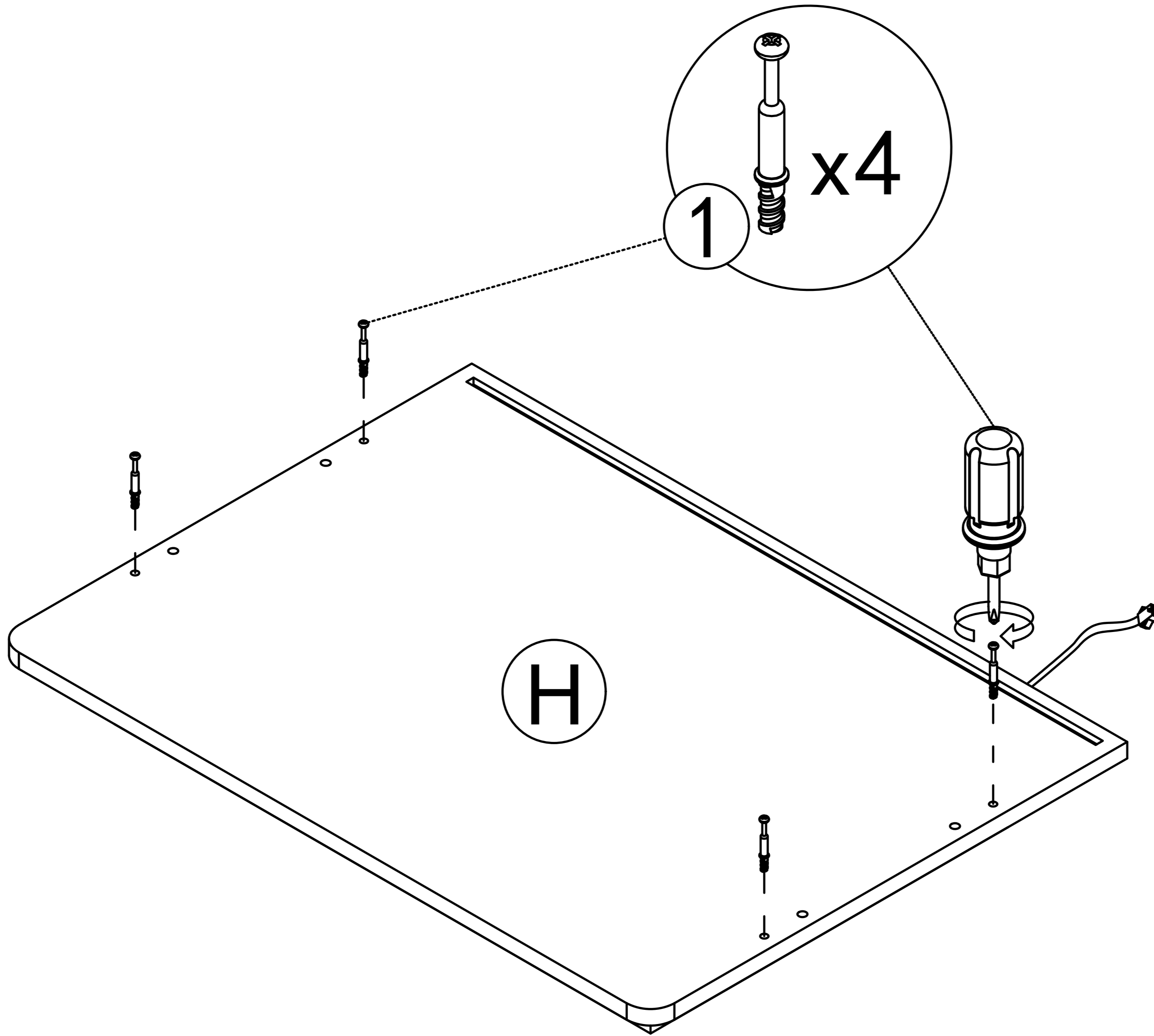
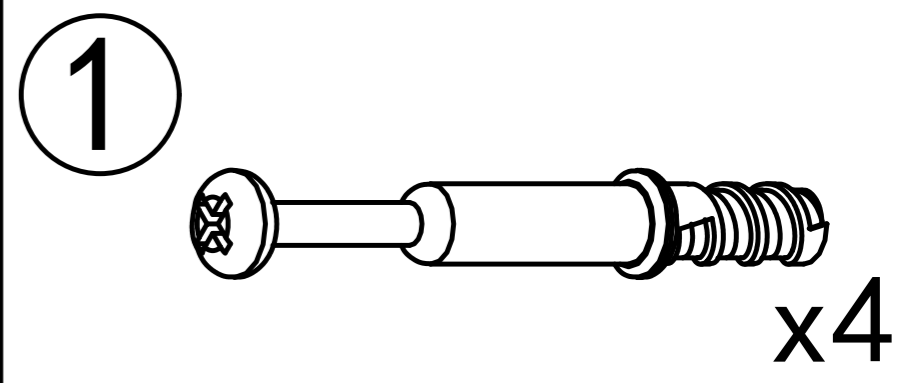
Step 22



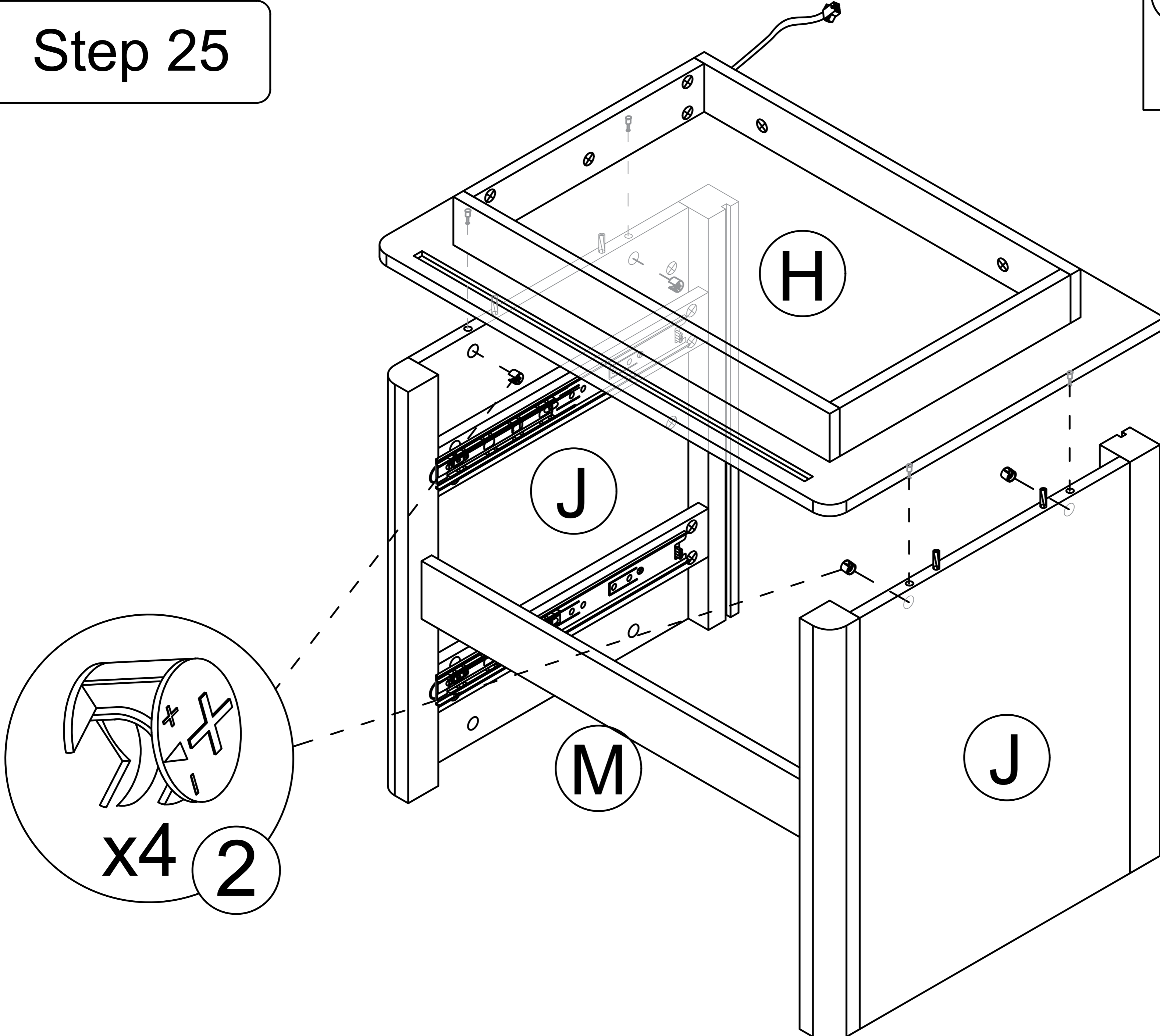
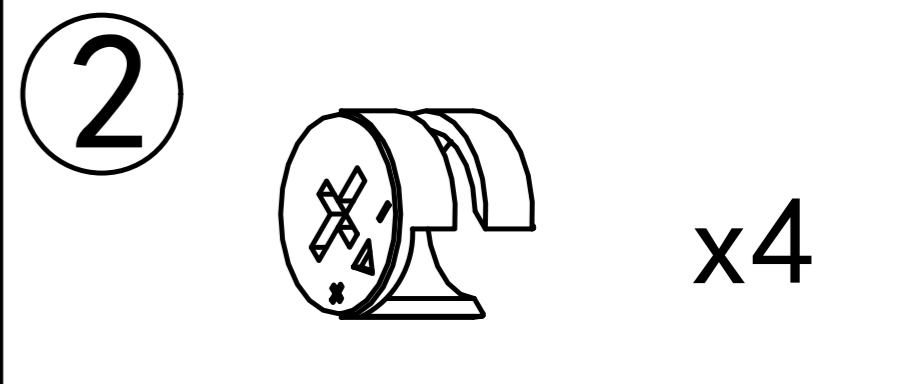
Step 23



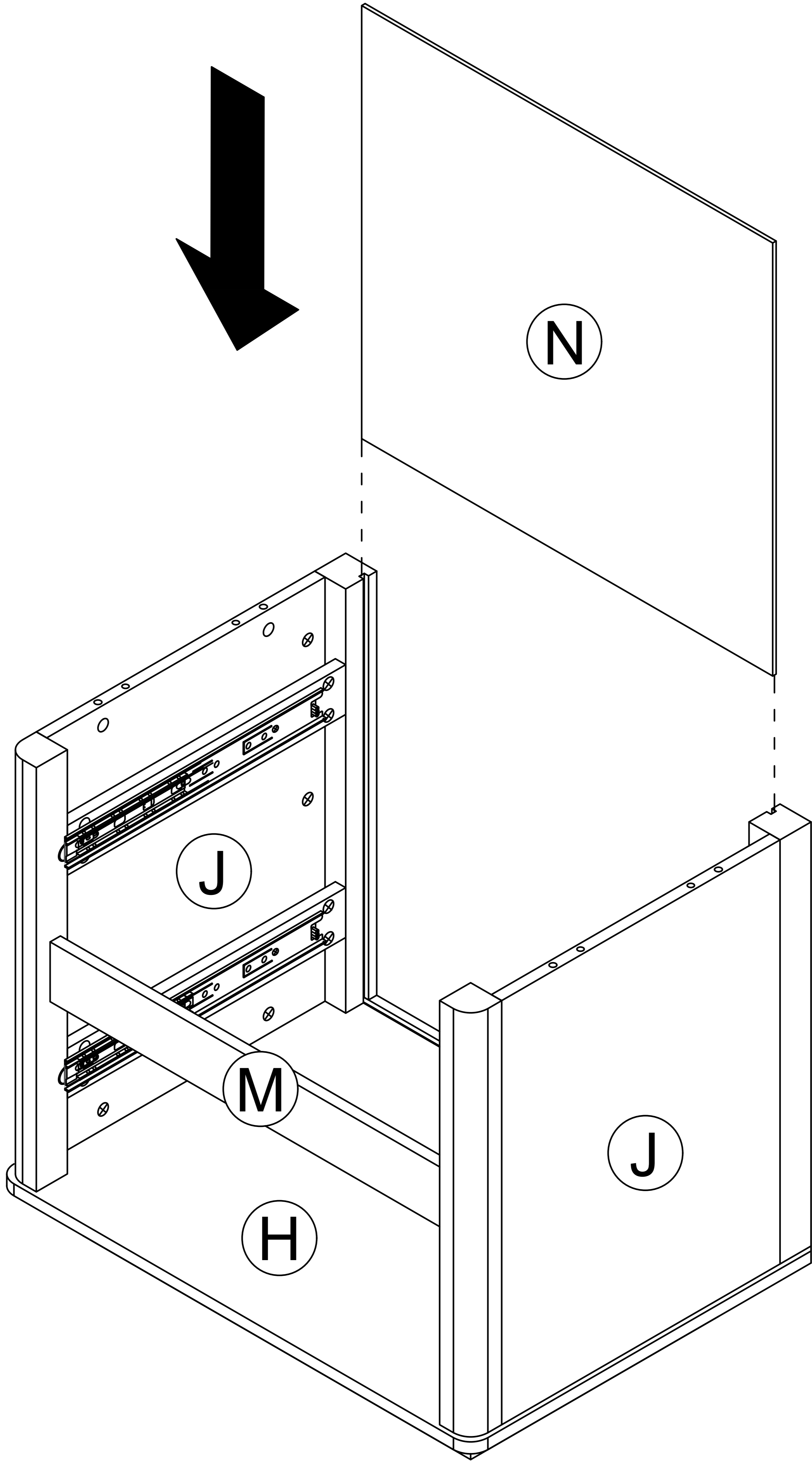
Step 24



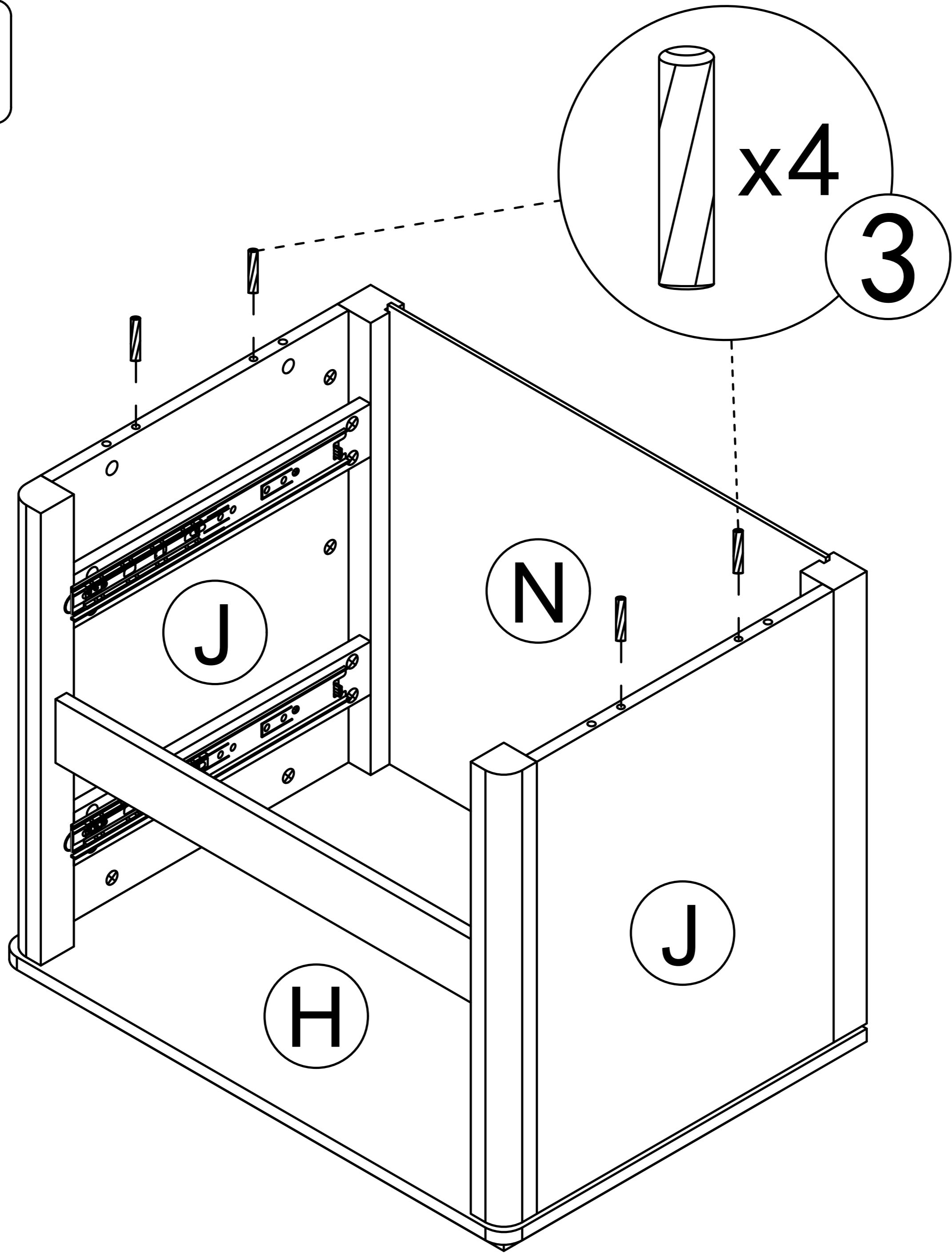
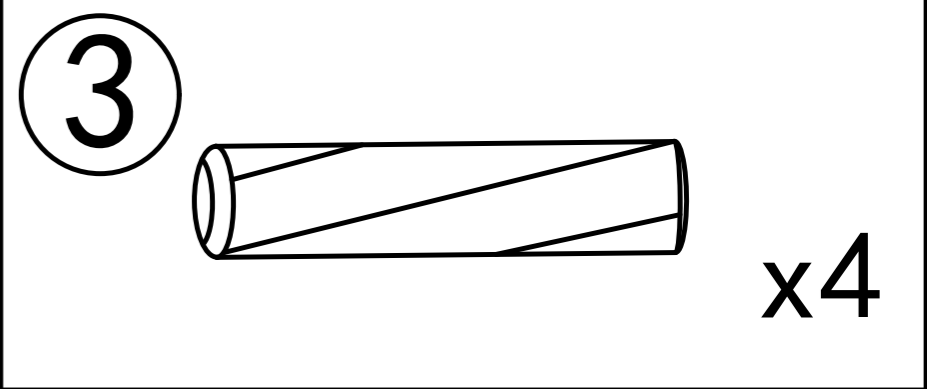
Step 25



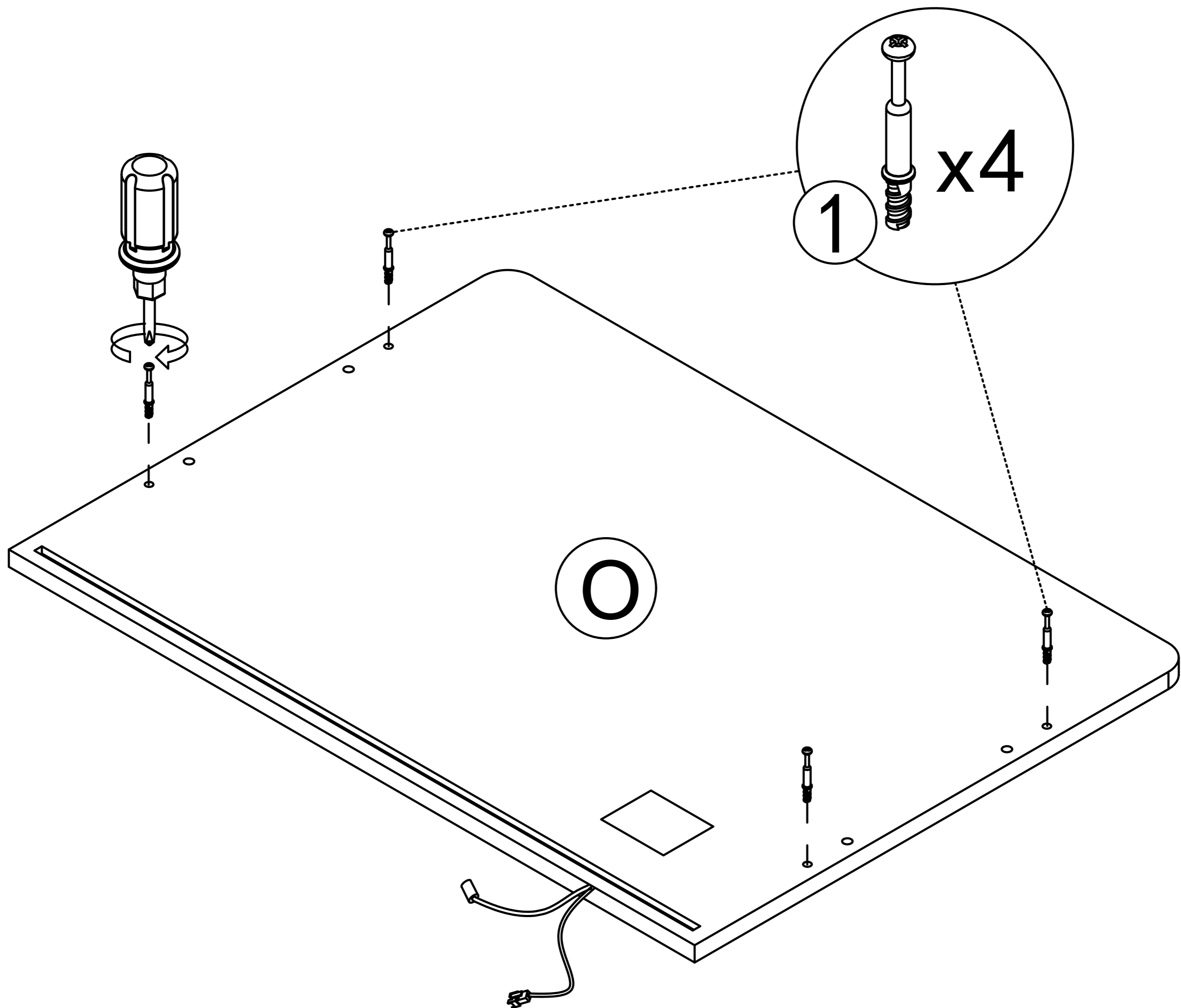
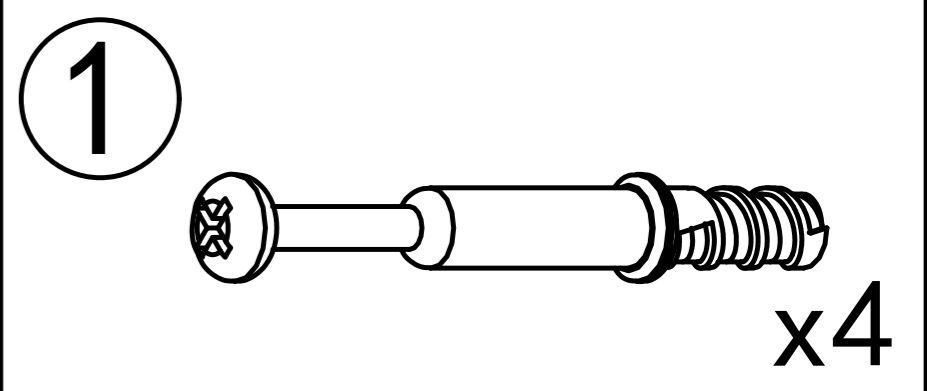
Step 26



Step 27

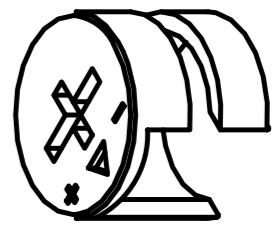


Step 28

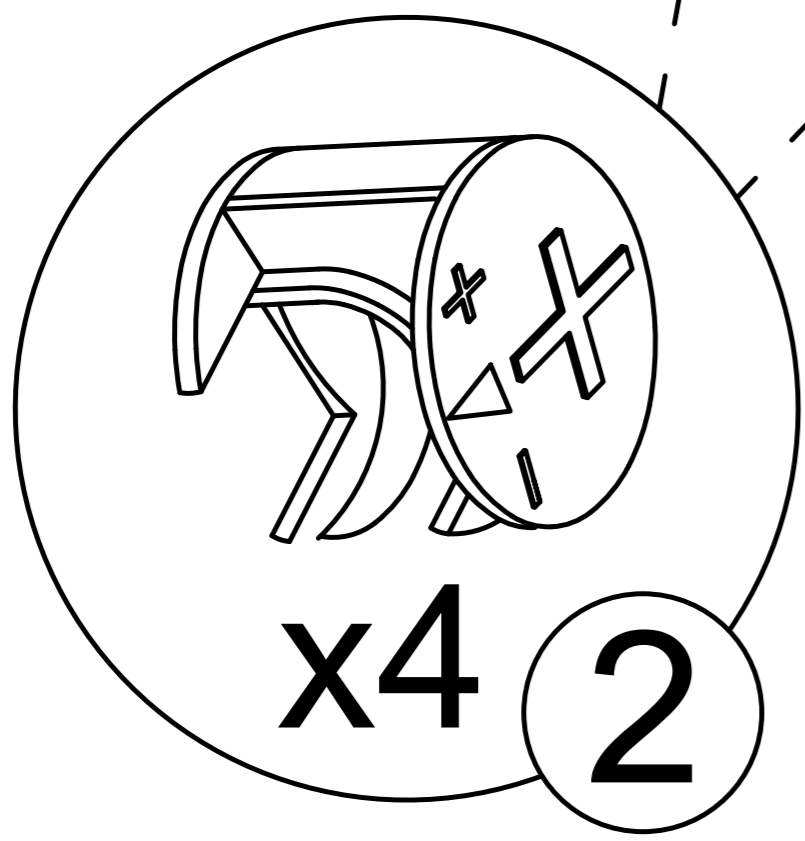
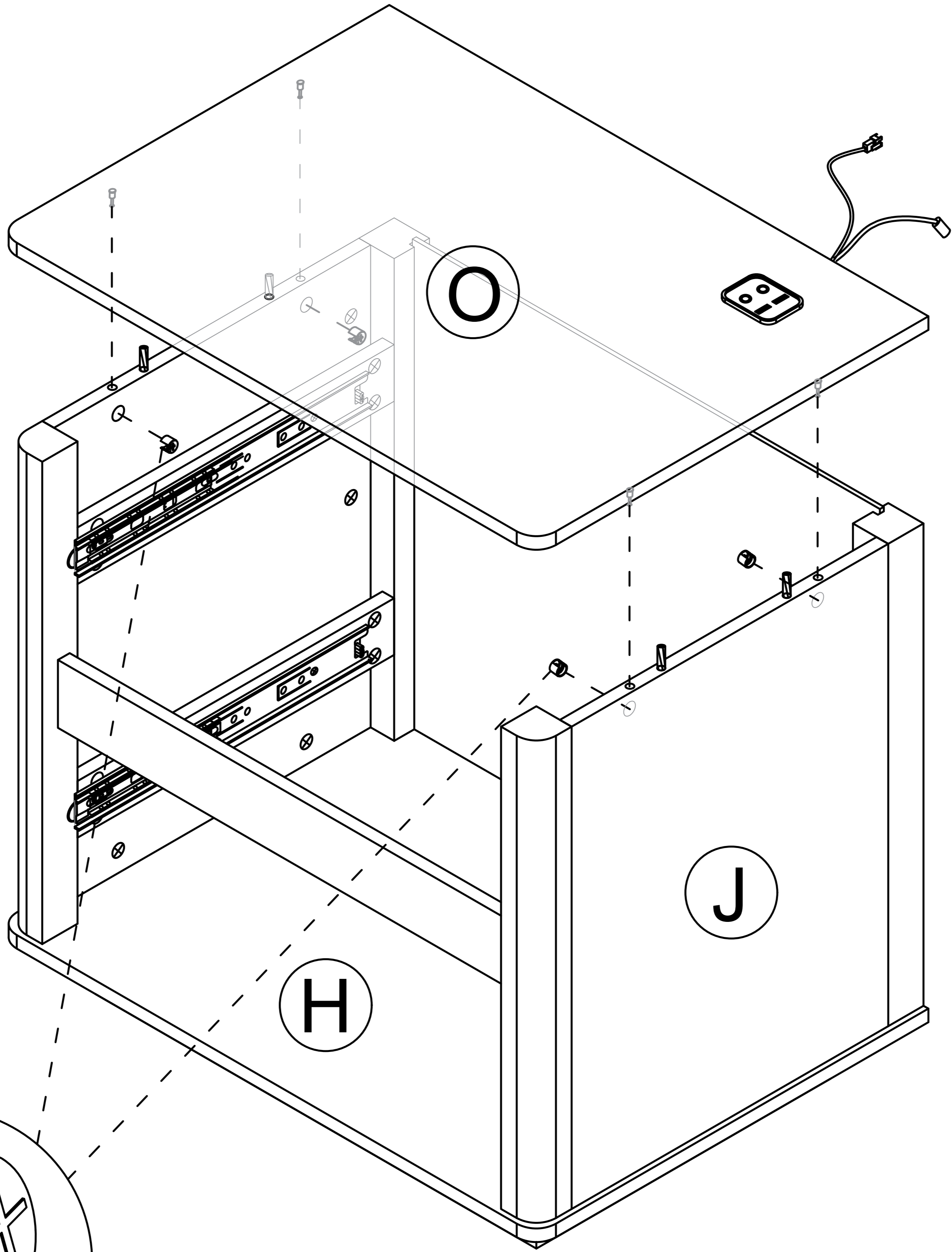


Step 29

2



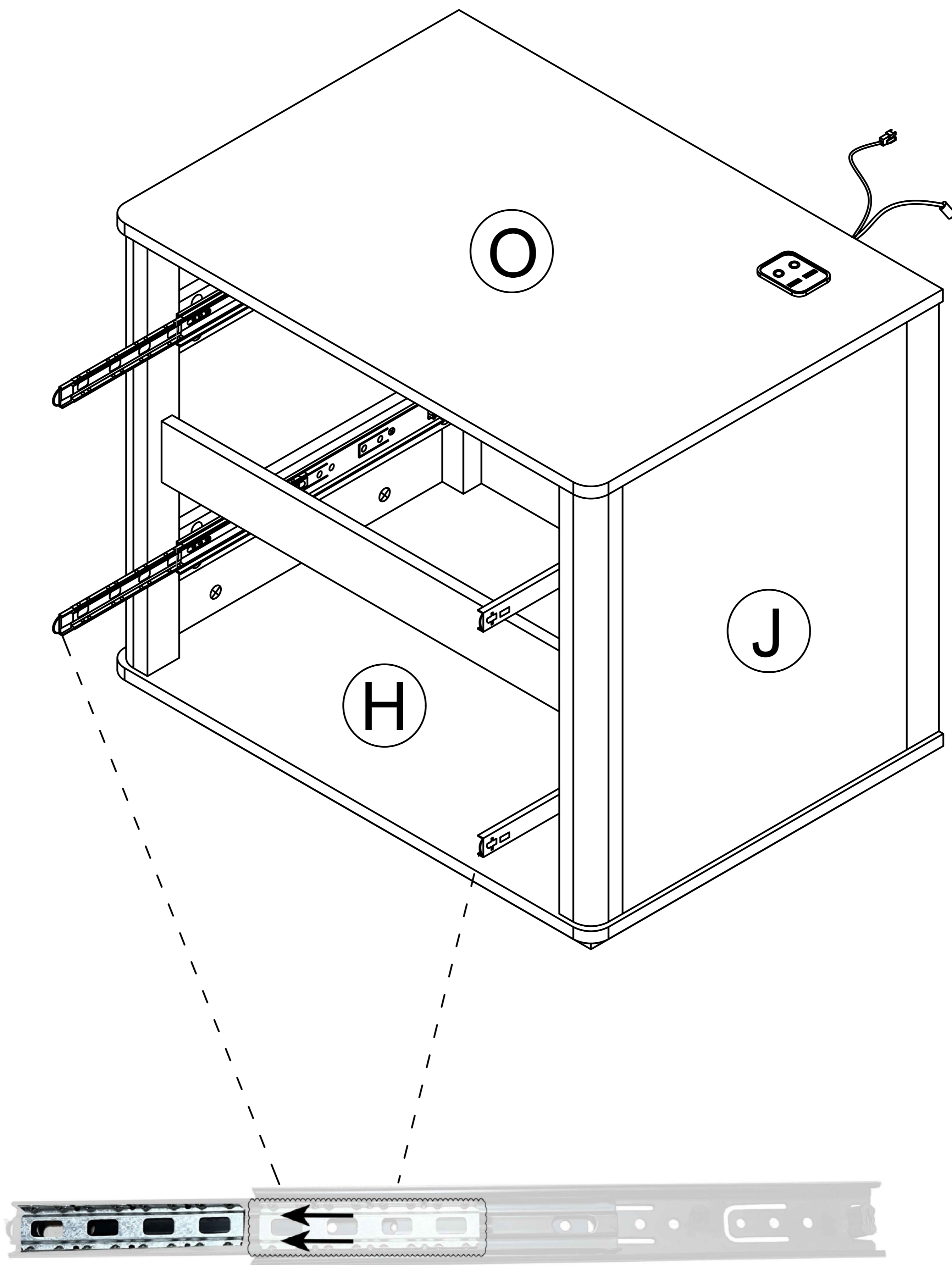
x4



x4

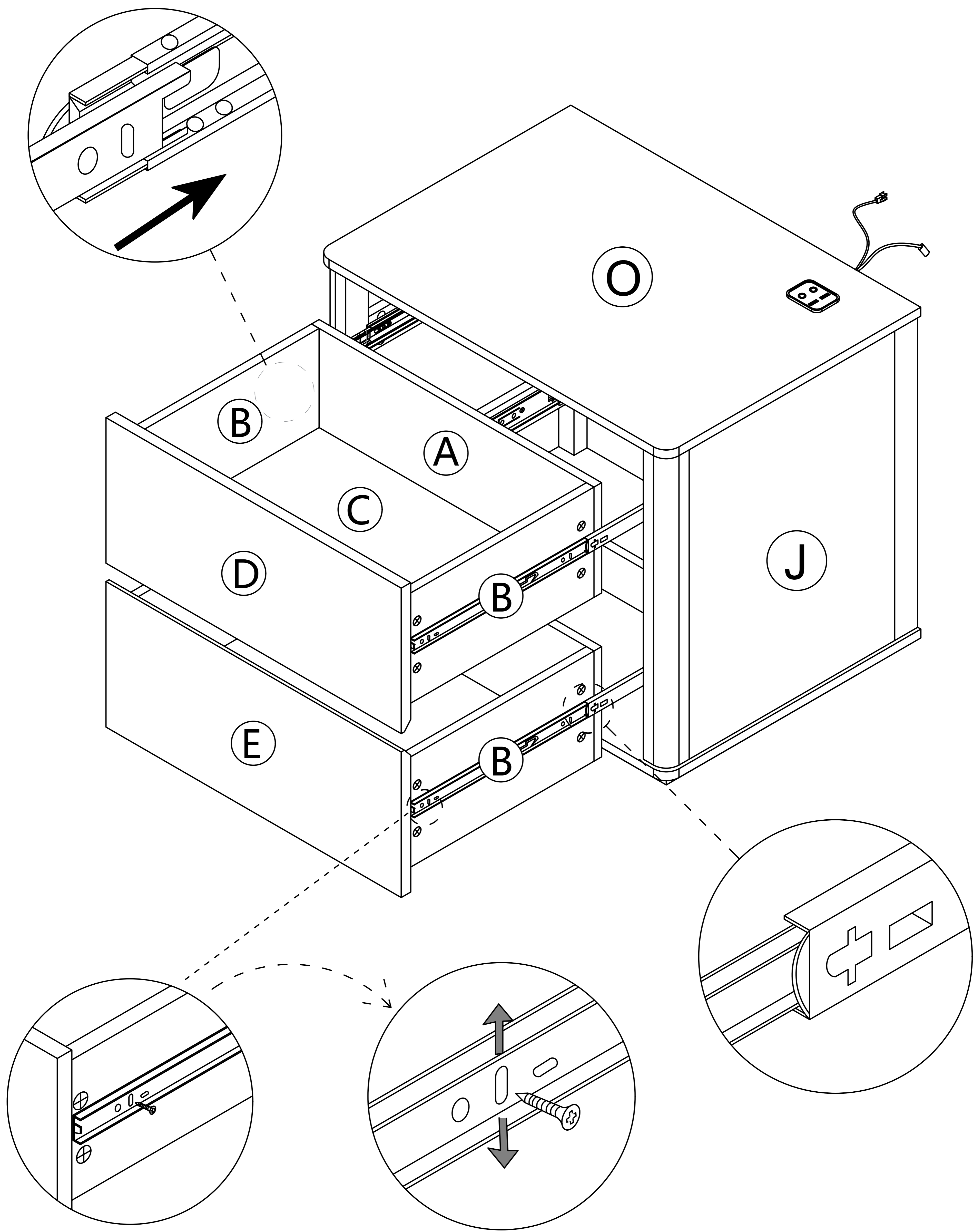
2

Step 30



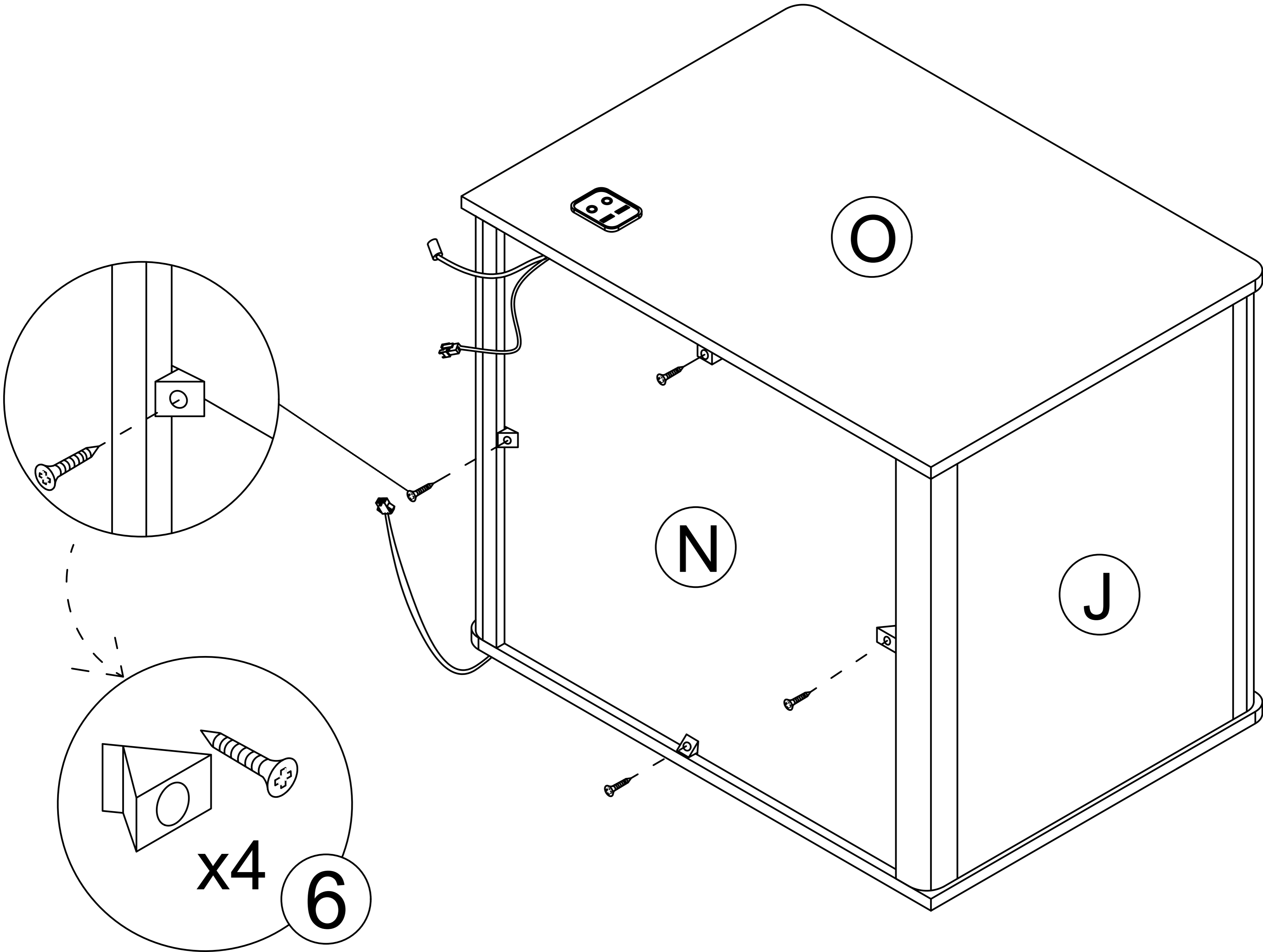
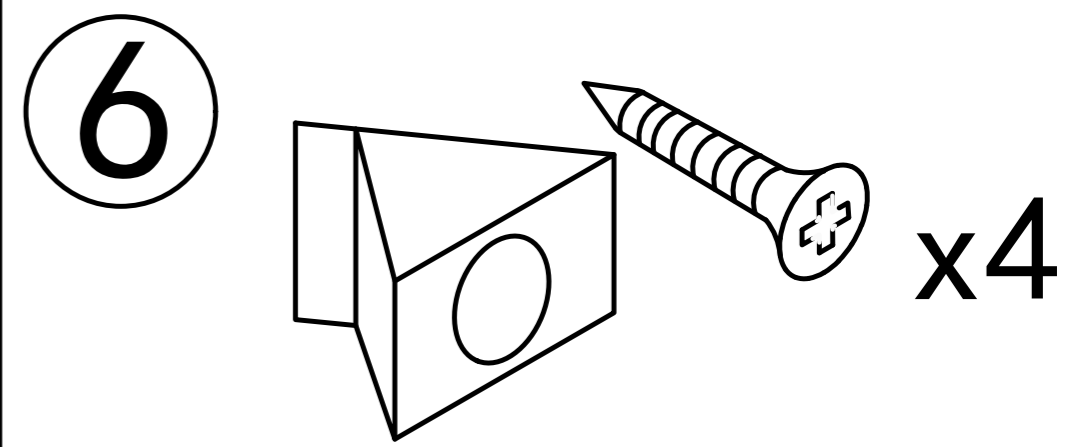
As shown, When installing the drawer,
pull the guide rail out first, Slide beads are also pulled out.

Step 31

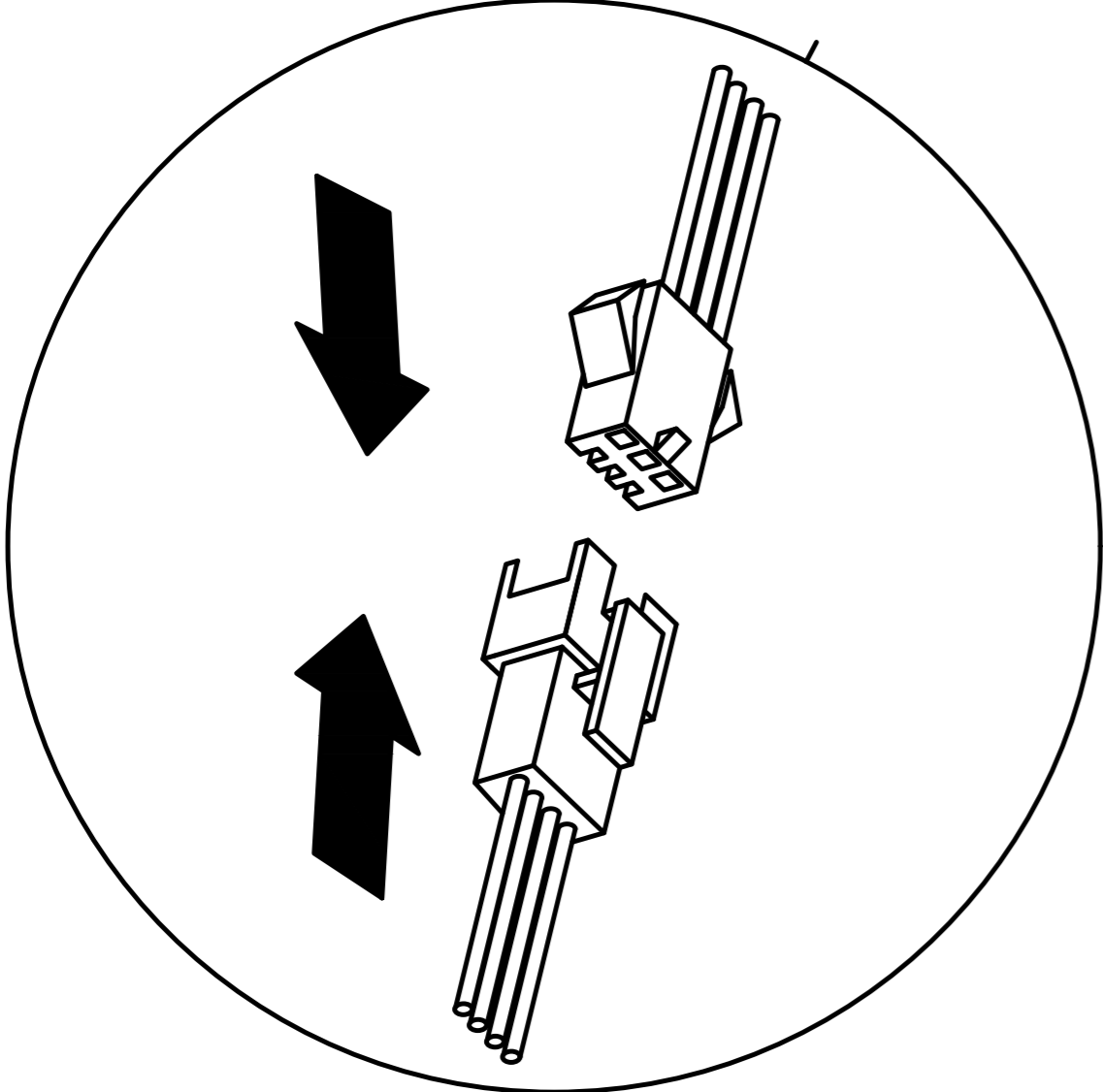
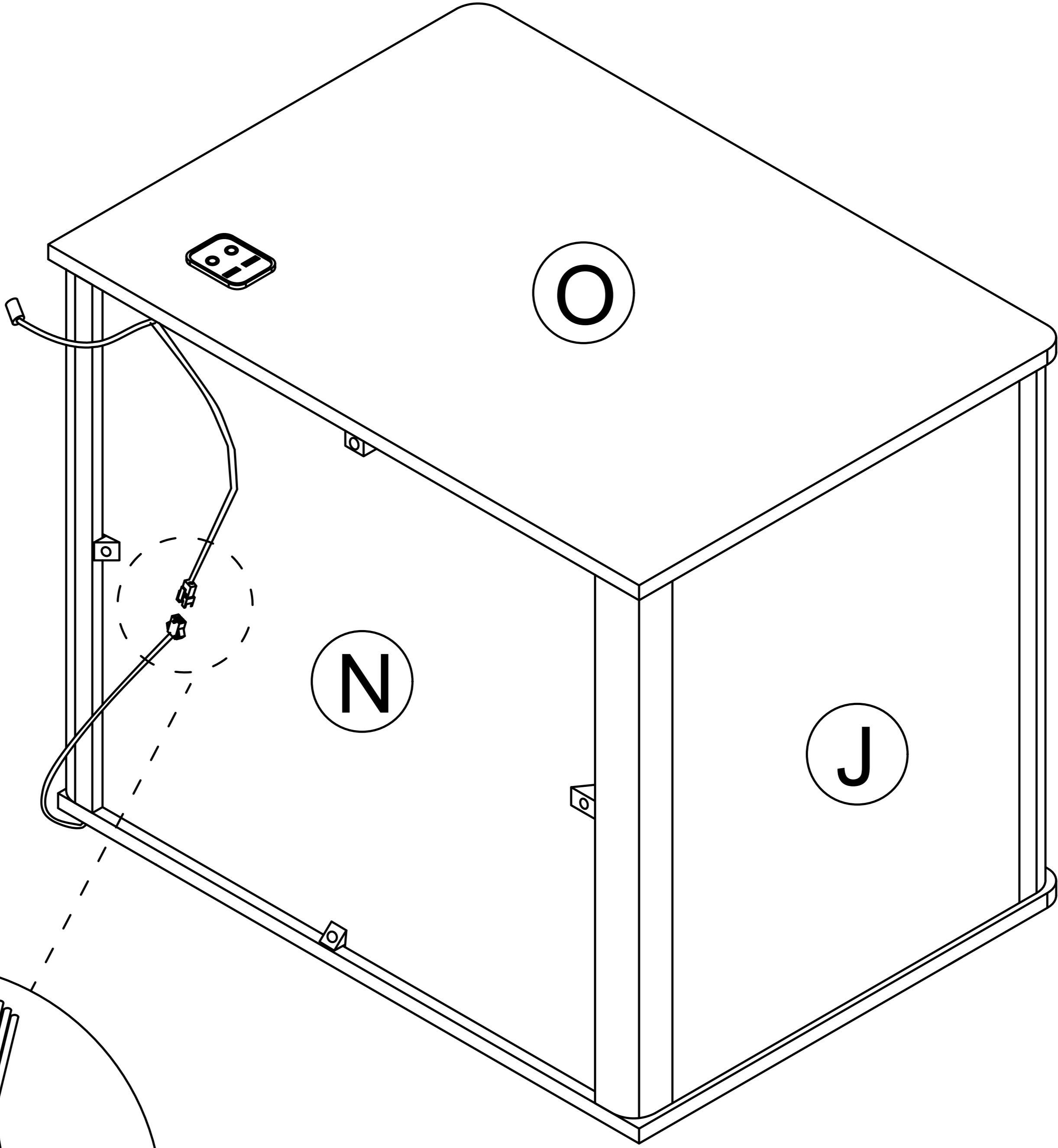


If a large gap is found after installing the drawer the slide rail can be moved up and down to adjust the gap

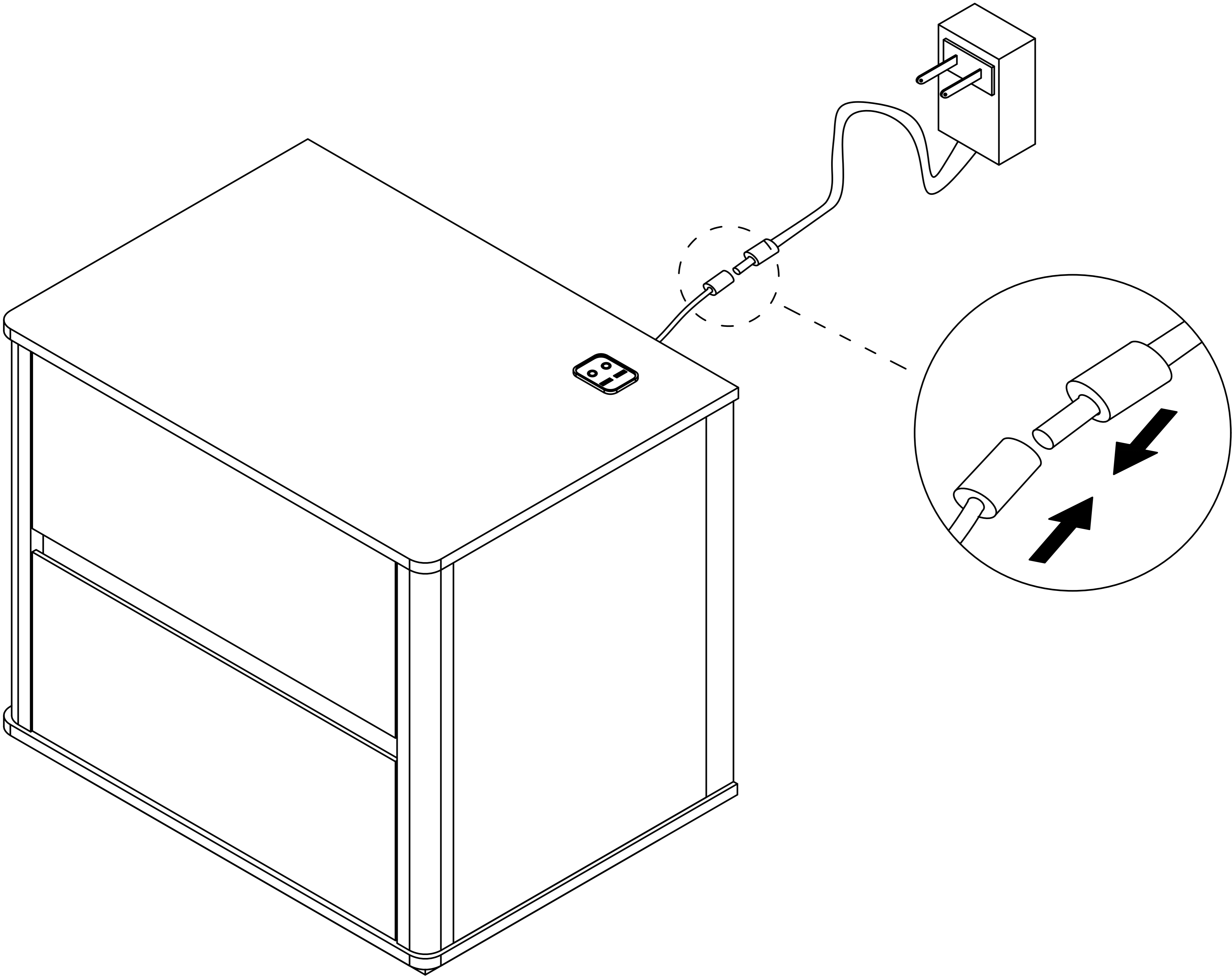
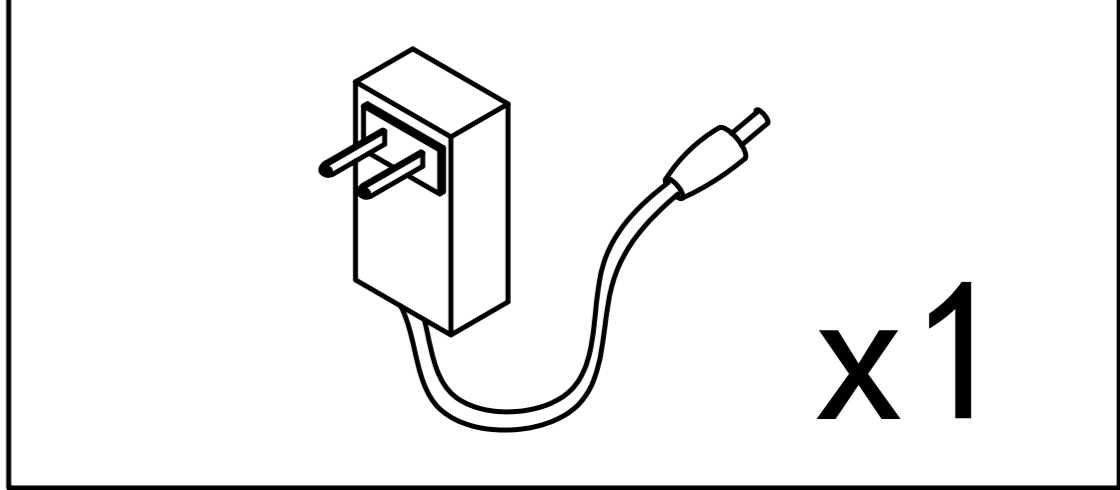
Step 32



Step 33



Step 34



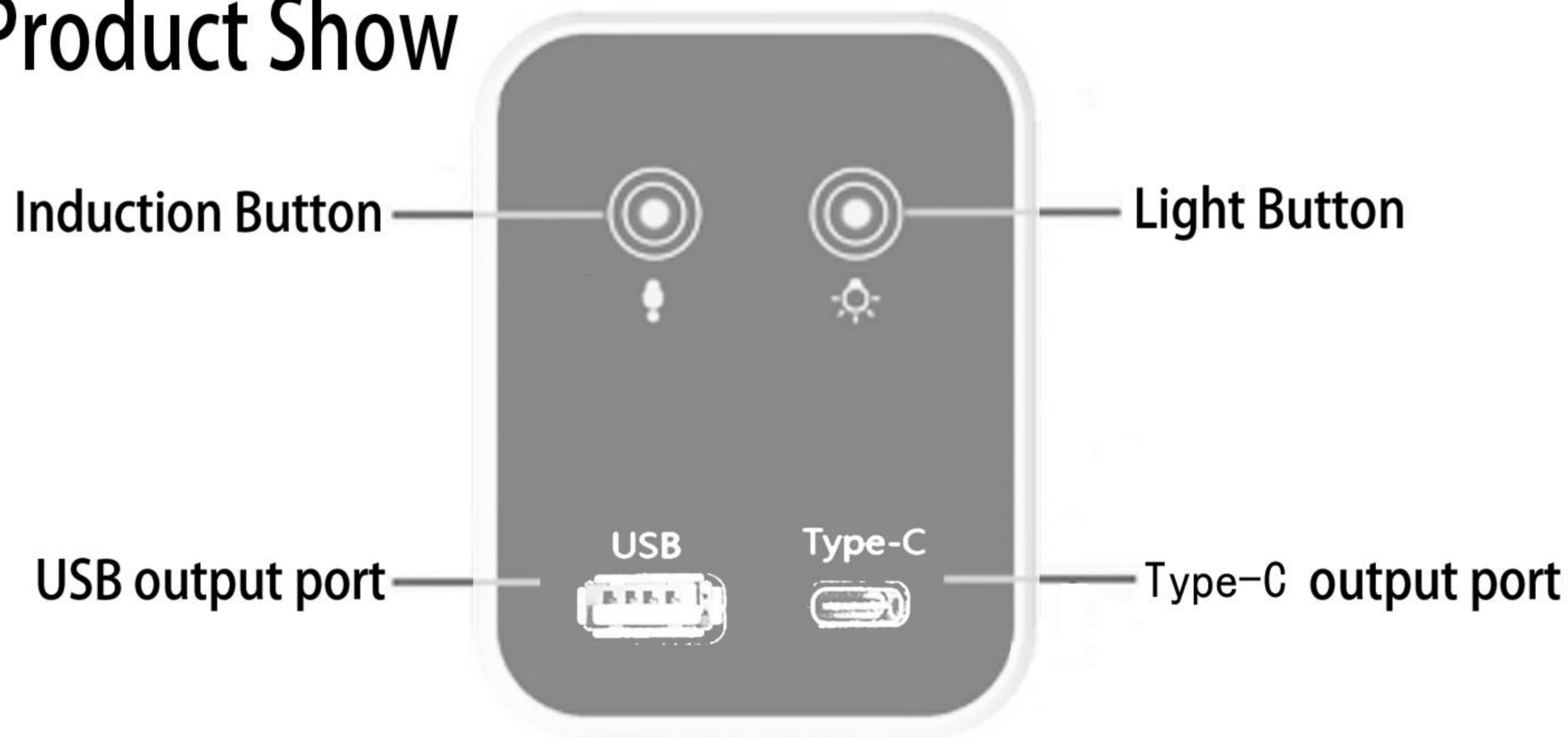
User's Guide

Thank you for purchasing this product. To use this product, please plug it into a 12V DC power supply. Please use if the product works normally after connecting to power.

Introduction

The box is an intelligent controller. It has 1 USB port and 1 type-C port and can distribute the current output up to 5V DC-2A. With 2 touch buttons, it can turn ON/OFF the light, change light colors, and adjust the light luminance.

Product Show



ATTENTION PLEASE

1. If there is no touch response suddenly, Re-plug the power to reset the touch static electricity.
2. If bubbles appear on the panel, remove the protective film.

Operation



This touch button is used to turn on/off, change colors, and adjust brightness.

A. Short touch -> lighting on -> short touch -> change light color -> short touch -> change light color -> short touch -> lighting off. B. Long touch -> adjust the luminance



This touch button is used to turn on/off the induction function.

A . Short touch to turn on the induction function. It can auto-turn on the light when people are close to the controller in 1 meters. It can auto power off the light when the body is far away from the controller after 30 seconds.

B . Long touch to turn off the induction function.

C . Note: When you touch the light button to change the light modes, the induction function will automatically turn off. It is best to turn on this function after selecting the light color and adjusting the brightness you want.