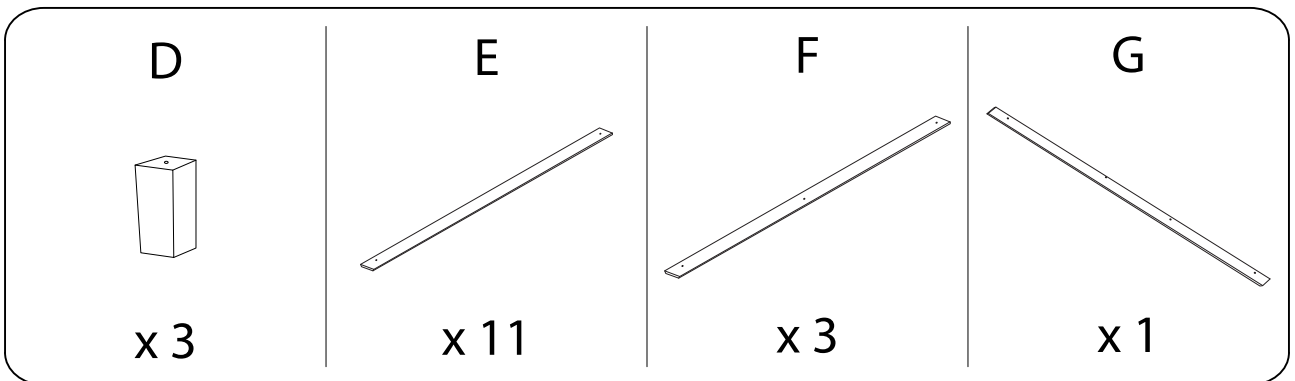
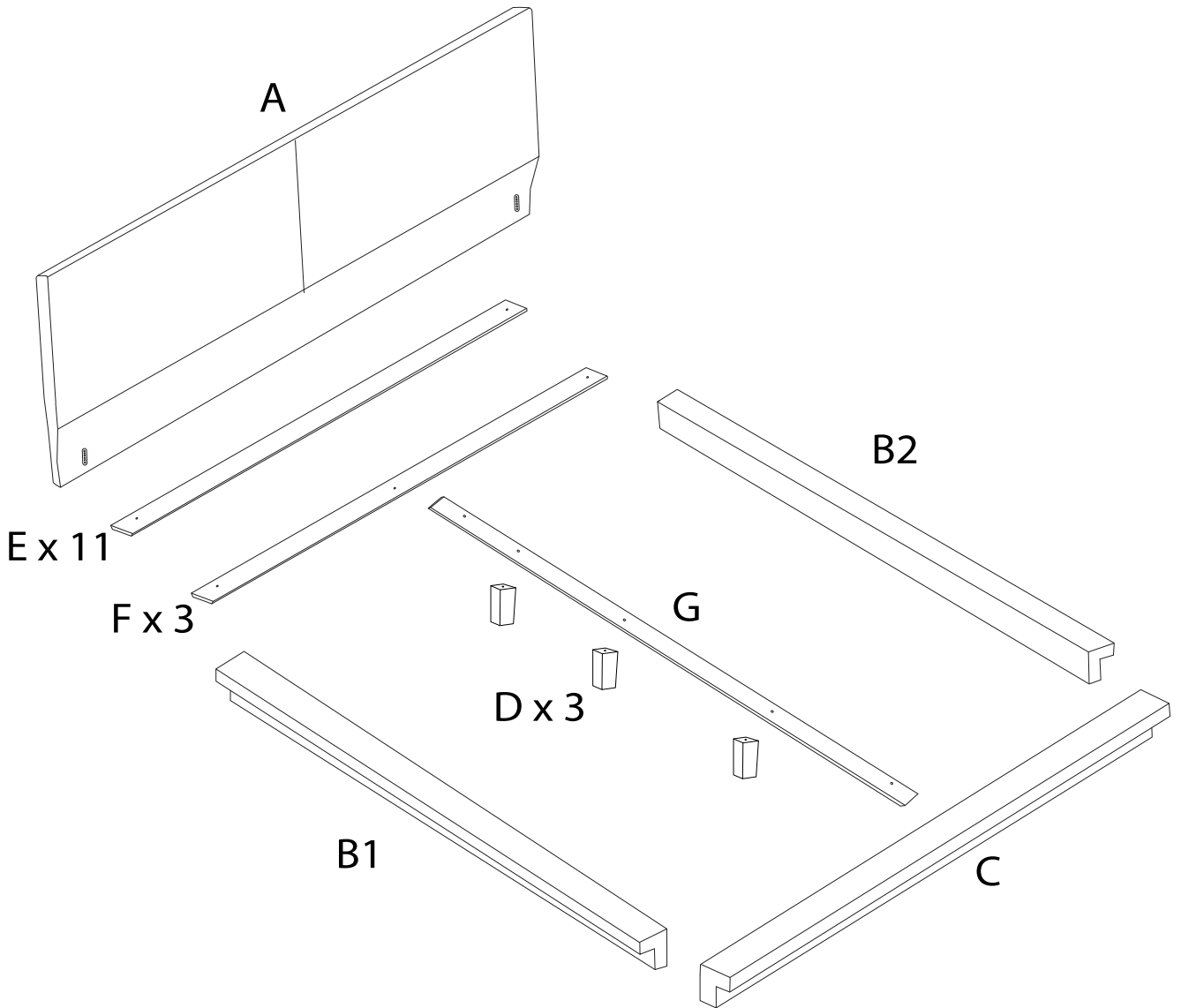
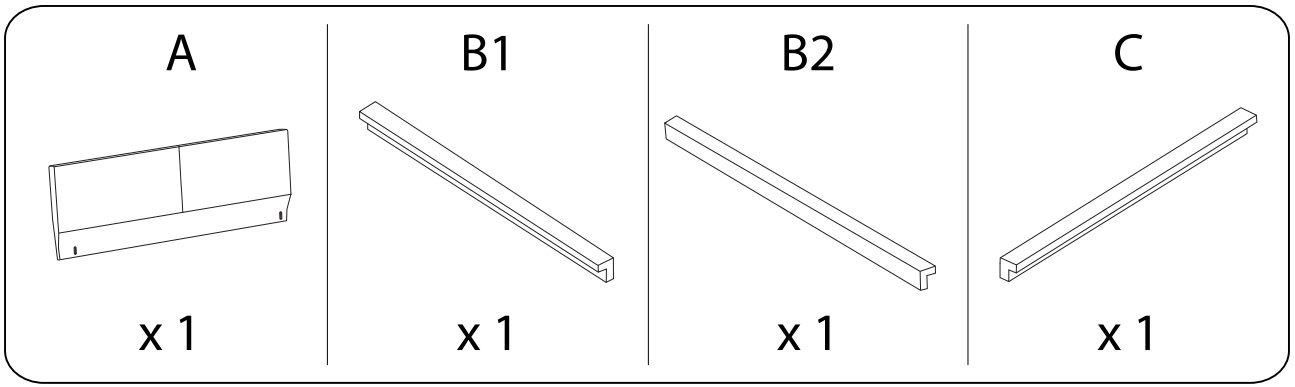


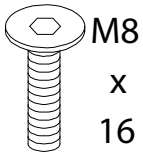
Assembly instructions for step 1/8:

- Tools:** A circle containing a screwdriver and an L-shaped hex key. A power drill is shown with a diagonal line through it, indicating it is not to be used.
- Warning:** A triangle with an exclamation mark.
- Time:** A clock icon with the number '75'' below it, indicating a 75-minute assembly time.
- Personnel:** A stick figure icon with the number '2' below it, indicating that two people are required for assembly.

A

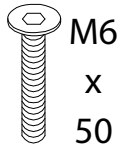


1



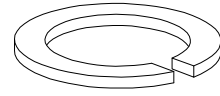
x 8

2



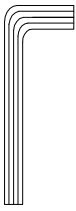
x 3

3



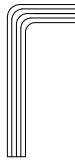
x 5

4



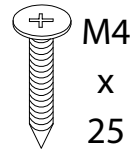
x 1

5



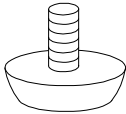
x 1

6



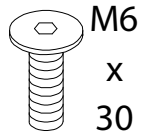
x 28

7



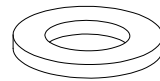
x 3

8



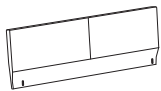
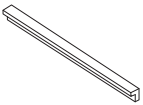
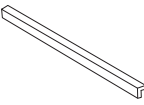


x 2

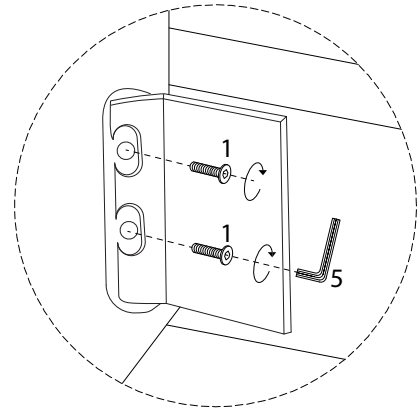
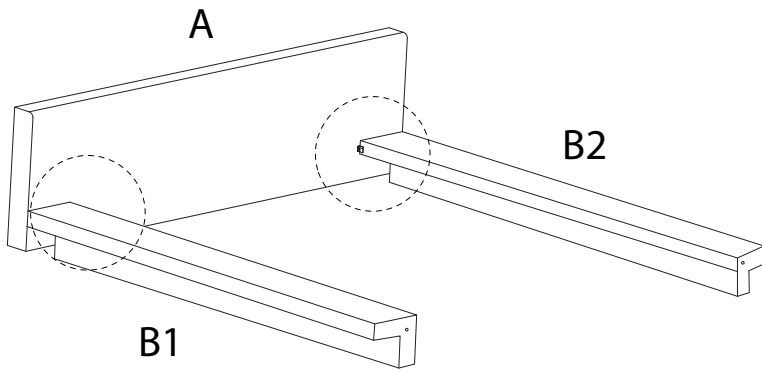
9



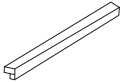


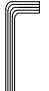

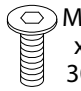

x 2

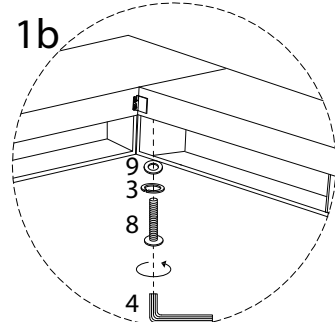
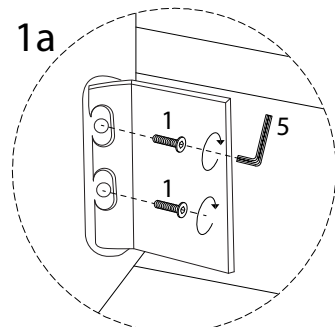
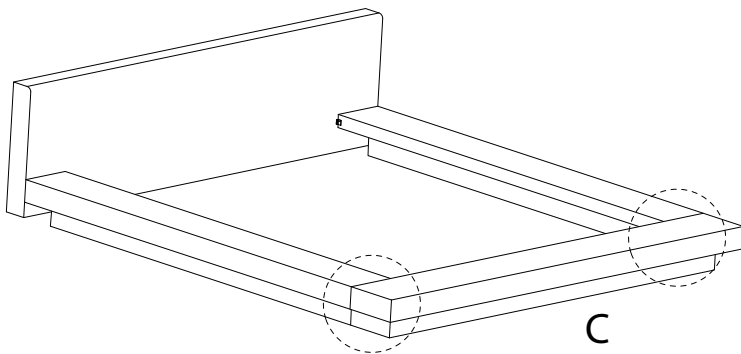
1

A  x 1	B1  x 1	B2  x 1	1  x 4	5  x 1
--	---	---	--	--

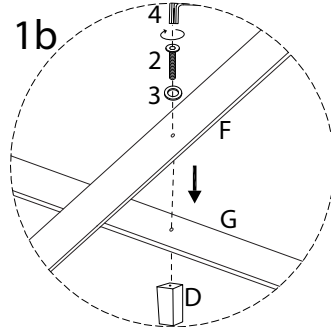
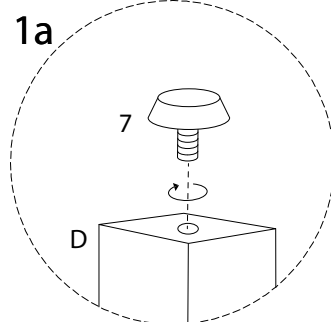
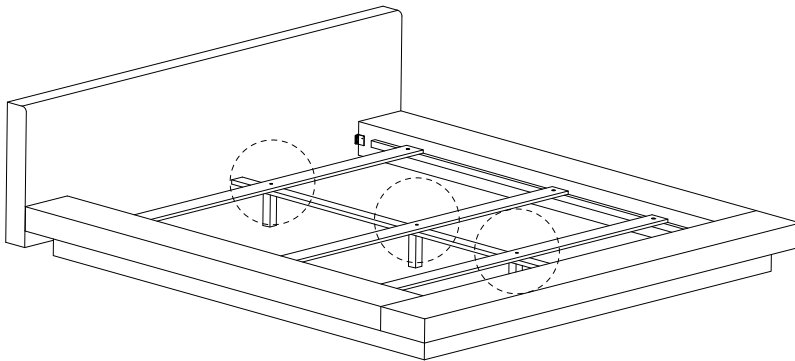
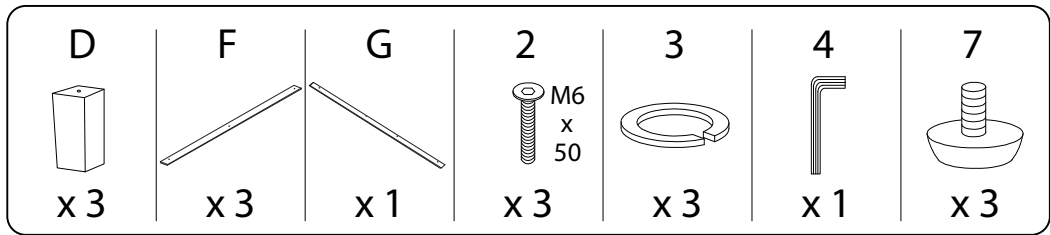


2

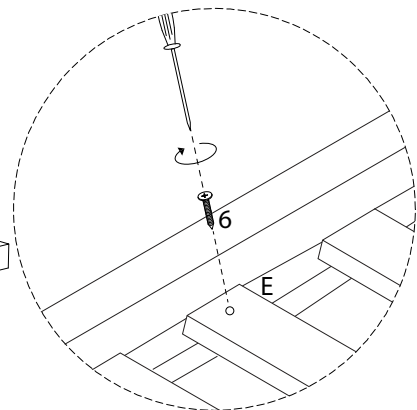
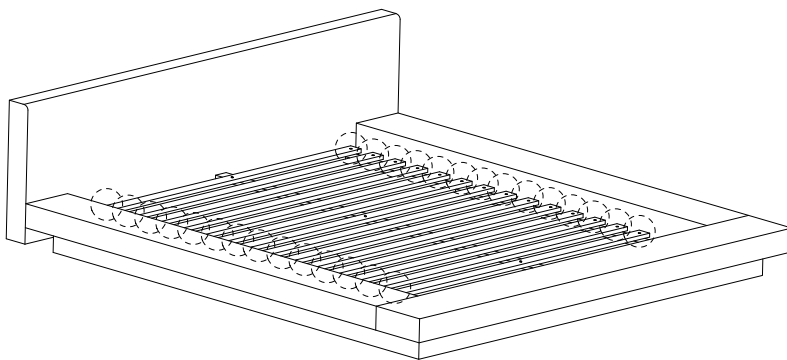
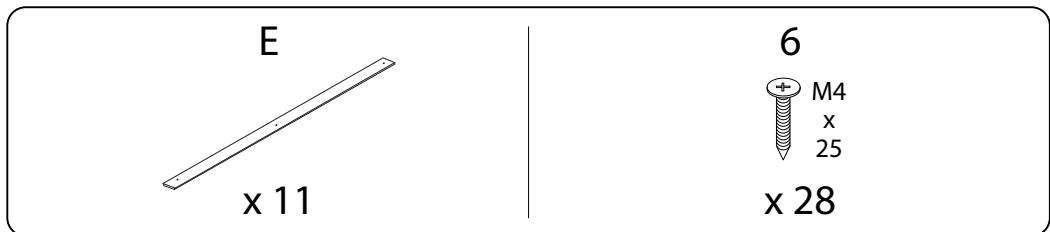
C  x 1	1  x 4	3  x 2	4  x 1	5  x 1	8  x 2	9  x 2
--	--	--	--	--	--	--



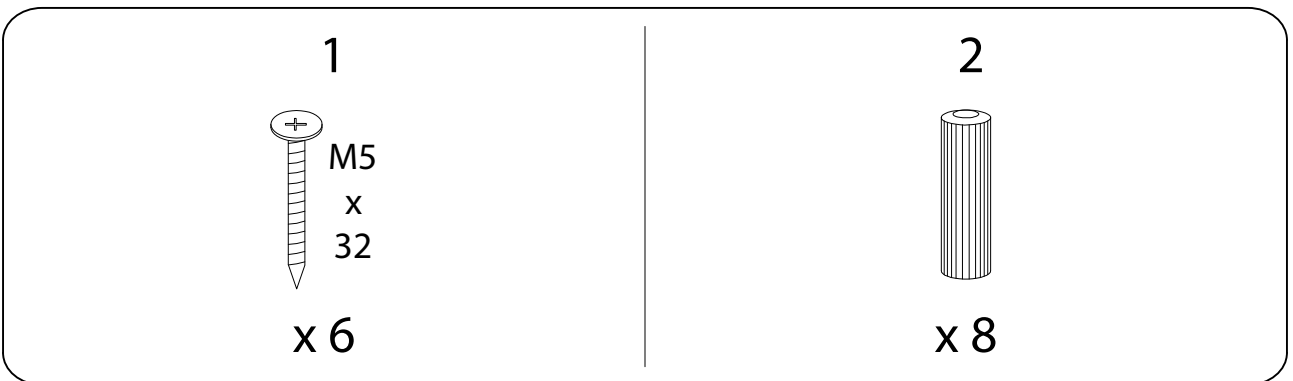
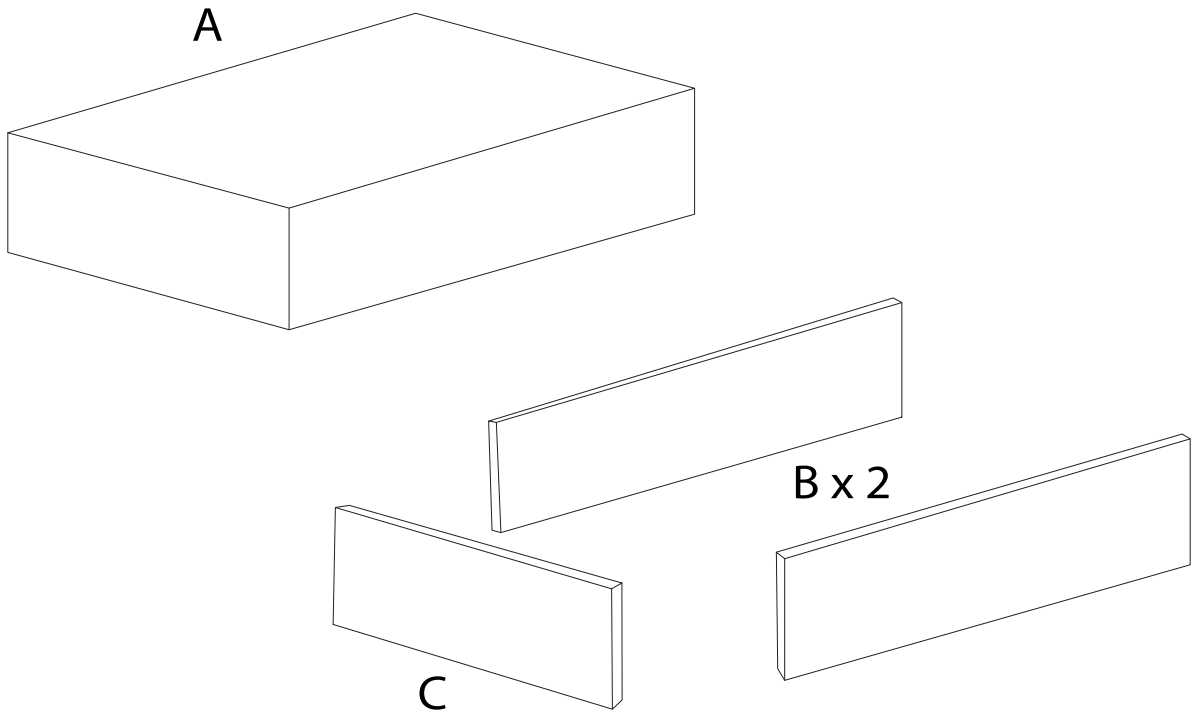
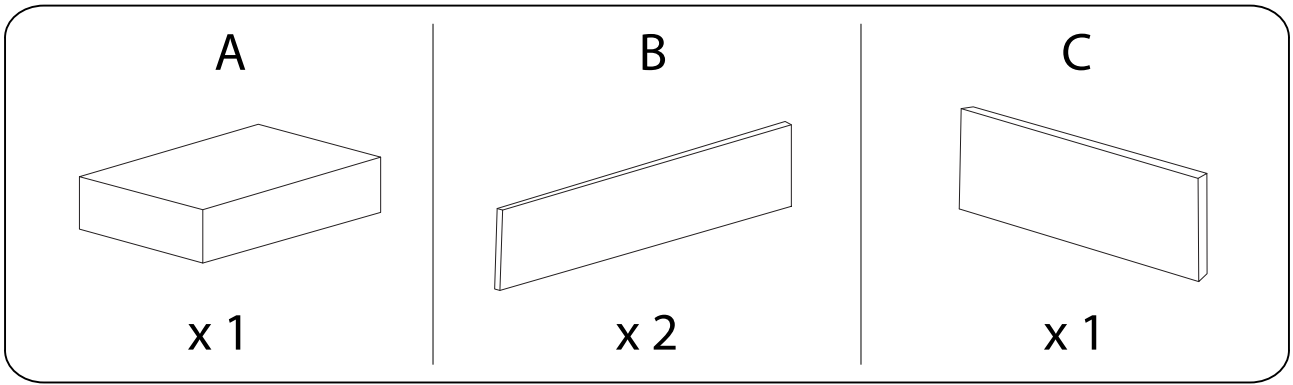
3



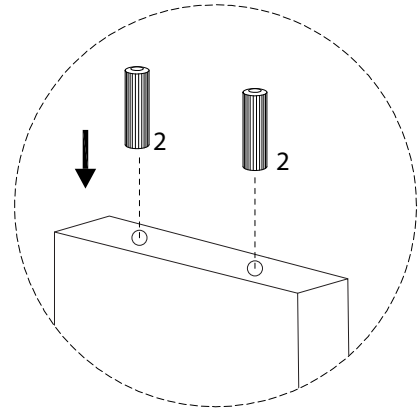
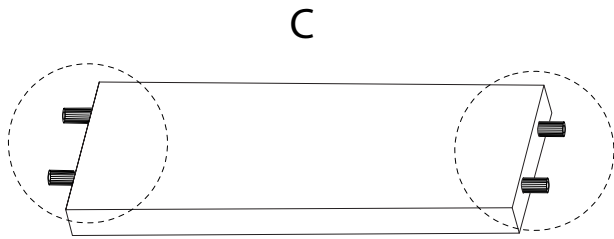
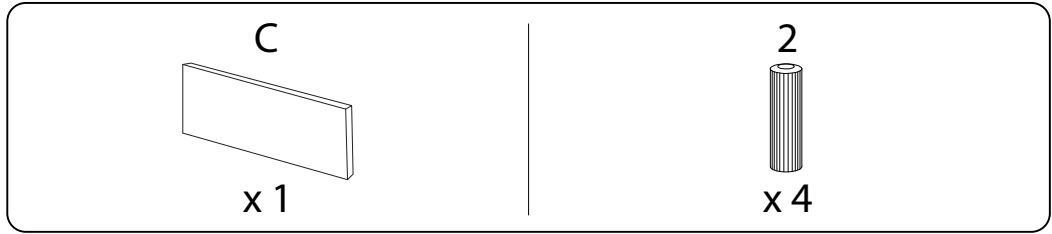
4



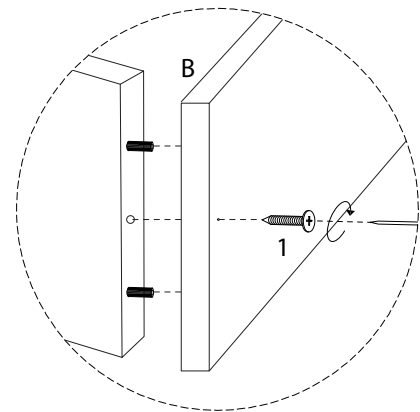
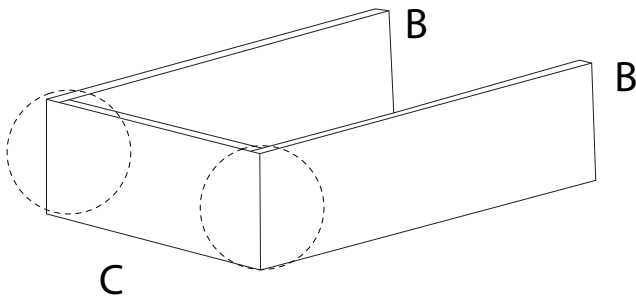
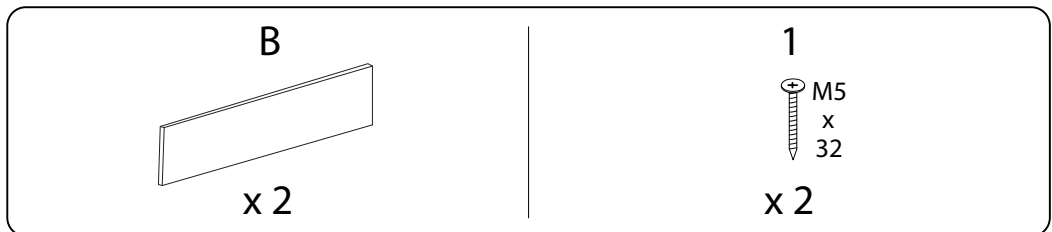
B x 2



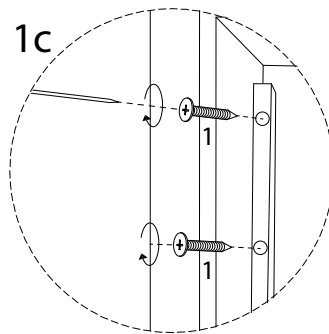
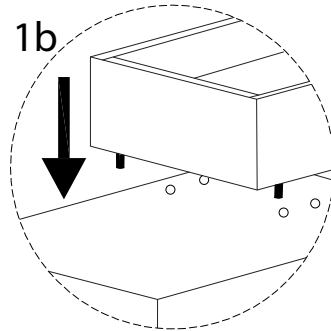
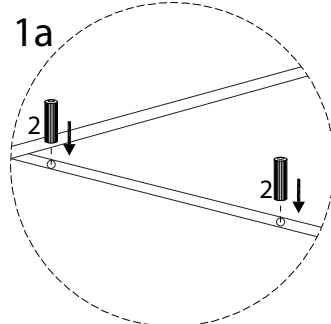
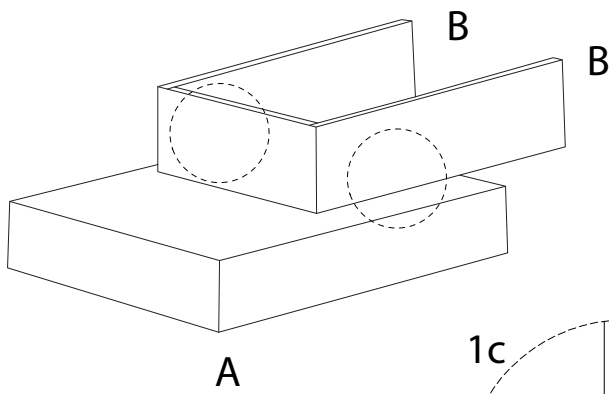
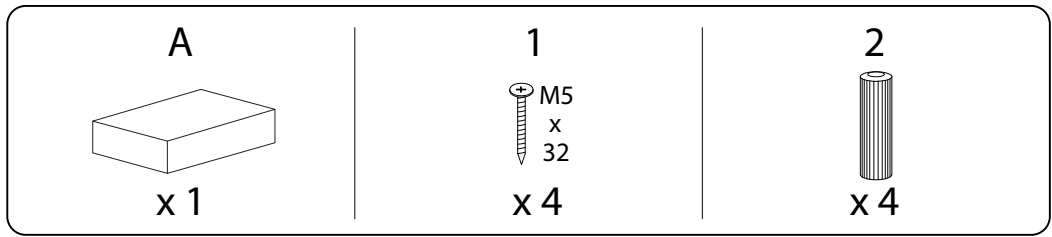
1



2



3



4

