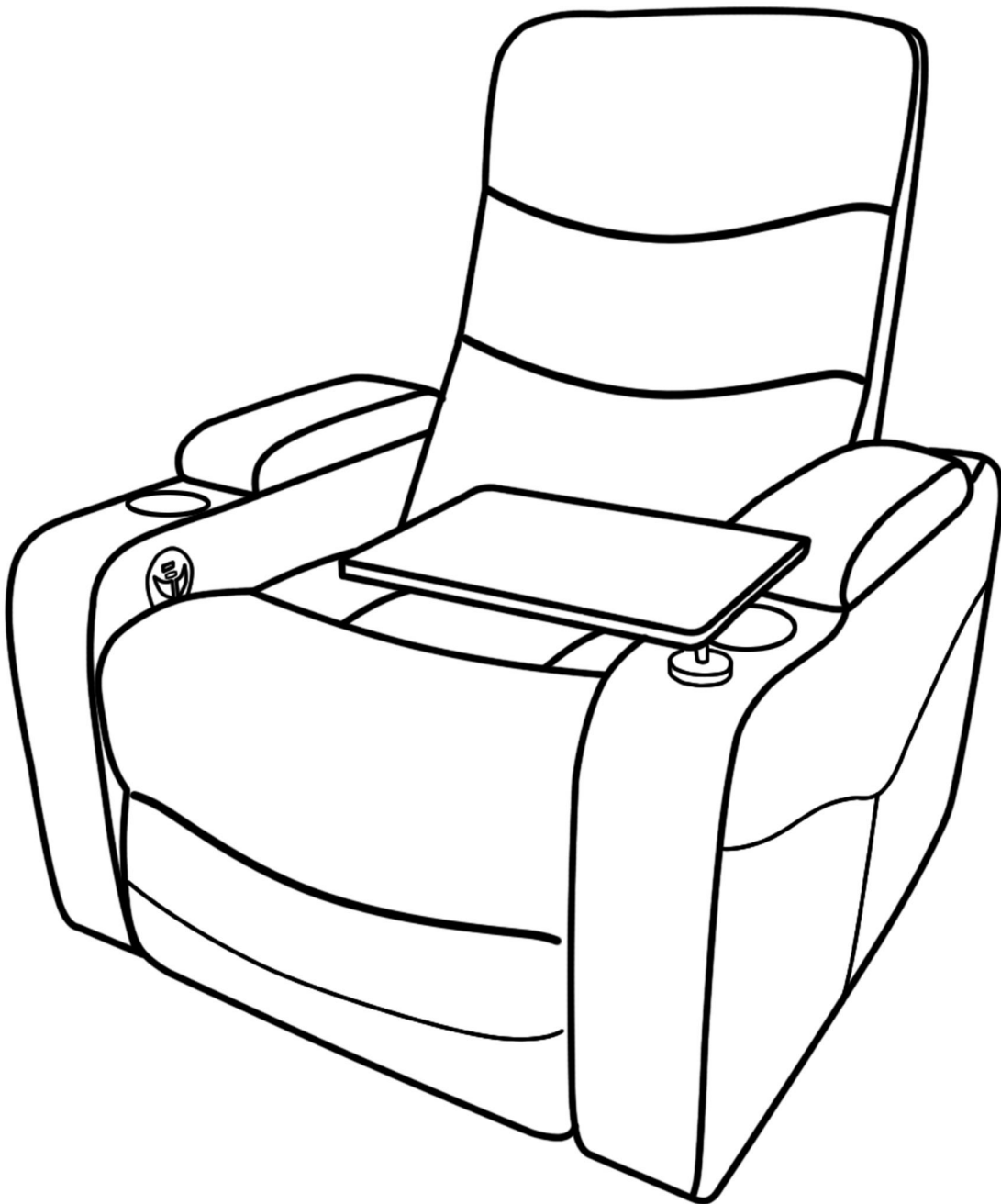


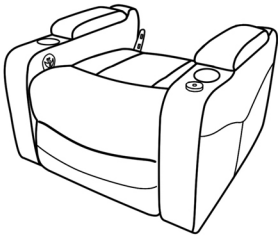
Operation Manual



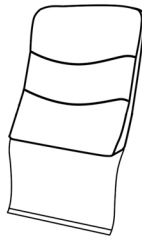
Power Recliner

PARTS LIST

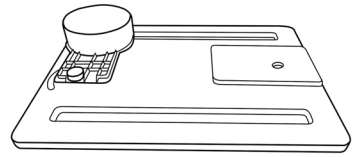
A Seating x1



B Backrest x1



C Board x1



D Bolts x1

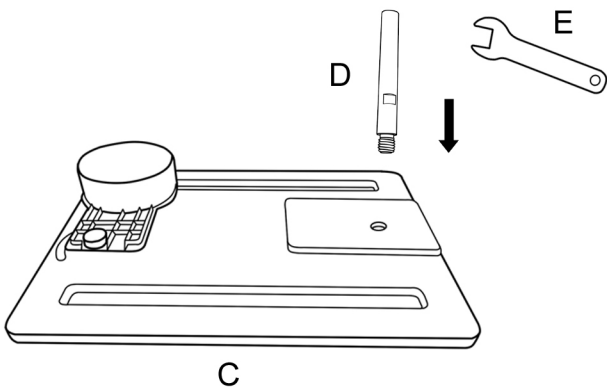


E Spanner x1

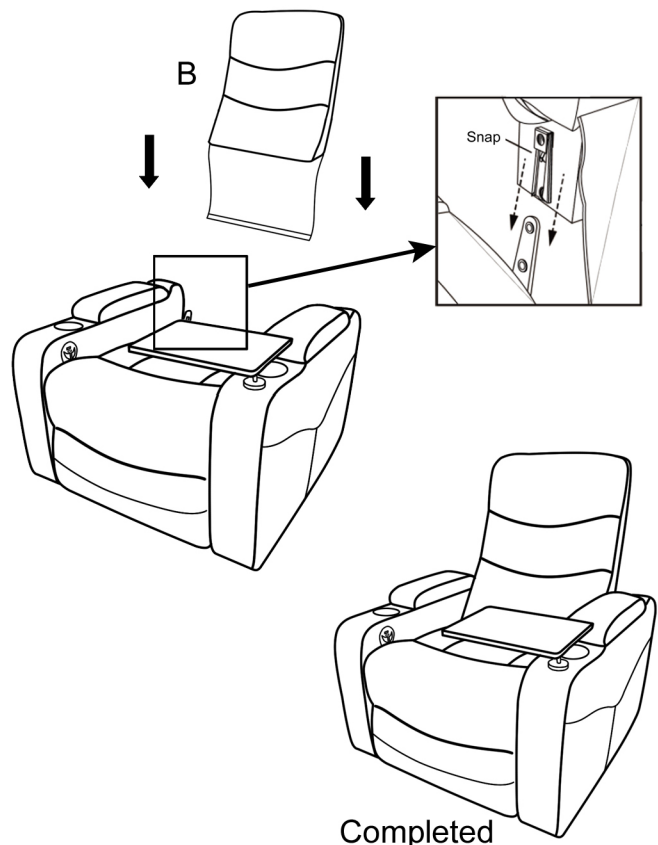


ASSEMBLY INSTRUCTION

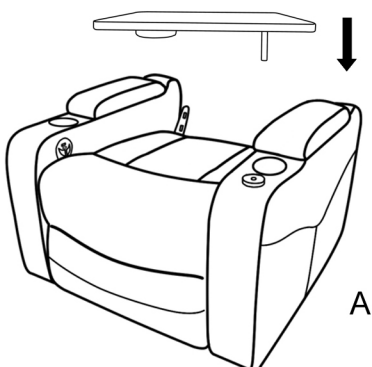
STEP 1 Insert the bolts to the board and fasten to secure.

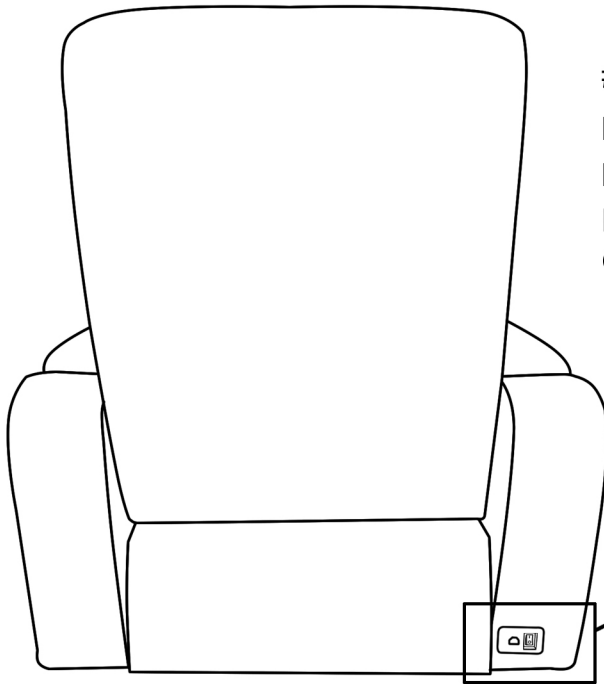


STEP 3 Install the backrest to the seating, align the female brackets in the back with the male brackets in the chair seating, slide the backrest down on the seating. Push down on the top of the backrest to lock the backrest into position. You will hear a click from each side of the chair to ensure the backrest is locked in properly.

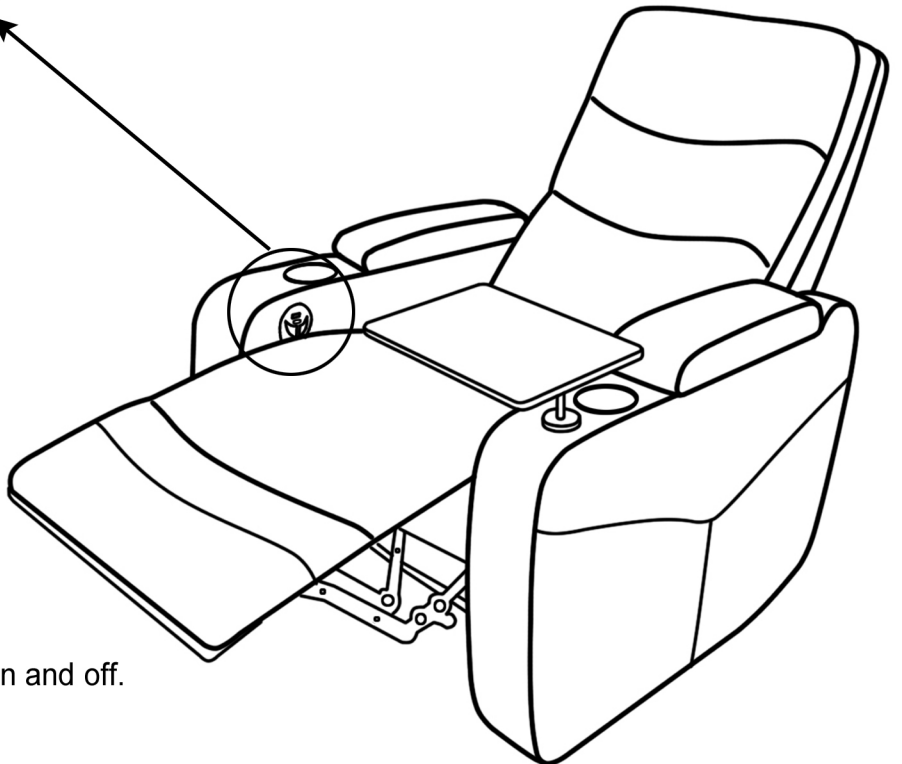
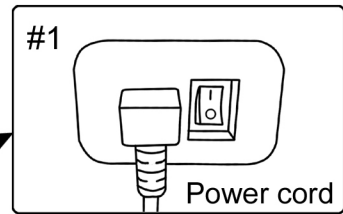






STEP 2 Insert the bolts to the chair seating.





#1 Insert the power cord to the switch. When the button is pressed to the off position, the Red Light on the Power button is not lit. When the button is in the ON position, the Red Light in the Power Button will lit and the unit will operate.



- 1) Press  to recline the chair.
- 2) Press  to return back.
- 3) USB port. 
- 4) Press  to turn the LED strip on and off.

Product Features

- 1) Power Reclining
- 2) LET Strip, USB port.
- 3) Cupholders and drawers.

Important Safety Instructions

When using an electrical appliance, basic precautions should always be followed, including:

- 1) Always unplug the lift chair from the power source after use, and before cleaning.
- 2) Do not touch lift chair if large amounts of liquid have spilled on it. Unplug immediately.
- 3) The chair should never be left unattended when plugged in. Unplug from the outlet when not in use or before putting on or taking off parts or attachments.
- 4) Do not use outdoors.
- 5) Do not carry this appliance by the attached power cord; do not use it as a handle.
- 6) Keep the cord away from heated surfaces.
- 7) Close supervision is necessary when this appliance is used by or near children, invalids or disabled persons.
- 8) Do not operate where spray products are being used or where oxygen is being administered.
- 9) Do not use near eyes or other highly sensitive areas.
- 10) To disconnect, press the OFF button, make sure all functions are stopped, then remove the plug from the outlet.
- 11) Use this appliance only for its intended use as described in this manual. Do not use attachments that haven't been provided with the unit. This appliance is not intended use for persons (including children) with reduced physical, sensory or mental capabilities, or lack of experience and knowledge, unless they have been given supervision or instruction concerning use of the appliance by a person responsible for their safety, children should be supervised to ensure that they do not play with the appliance.

Maintenance Instructions

- 1) Ensure the unit is unplugged from the power source, and allow the unit to cool down before cleaning.
- 2) Do not use any liquid to clean. Clean fabric cover by wiping with a damp sponge, using a mild detergent or suds. Pat with clean, dry cloth.
- 3) Do not use any abrasive cleaners, brushes, gasoline, kerosene, glass furniture polish, paint thinner or water hotter than 120 F to clean the unit.

Health Caution

- 1) If you have any concerns regarding to your health, consult your doctor before using this product.
- 2) Individuals with pacemakers should not use this product.
- 3) If you have pain in a muscle or joint after using for a prolonged period of time, discontinue using and consult your doctor. Persist pain could be a symptom of a more serious condition.

Warnings

- 1) Sit down in the chair gently. To avoid tipping over, do not throw yourself into the chair. Move the chair into the reclining position slowly, making sure that no children or pets are in close proximity. Do not allow children to play on or around the chair, particularly when it is in an open position.
- 2) Close the recliner completely before getting out of it.
- 3) Never sit on the footrest when it is open, even if it is a child.
- 4) To eliminate the risk of tipping over, do not sit on the arms or footrest of the chair.
- 5) This chair is designed to be used by 1 adult at a time.
- 6) Maximum weight capacity is 300LBS, Do not allow any person who over 300LBS to sit on the recliner.
- 7) Please forbid people with the following ailments from using this sofa: Those people with severe symptoms of heart disease, high blood pressure, cerebral thrombosis and others who are sensitive to heat or completely insensitive to heat, those with brittle bones or have issues with waist support pregnant women, children and others where it has been determined they are not suitable to use this product under the guidance of doctors.
- 8) To fully recline the sofa, ensure the sofa well, you need to put the sofa at least 40cm away from the wall or any other obstacle.
- 9) Product cannot touch water, fire, etc. Product can also not come in contact with sharp objects (knives, nails, etc.)

Maintenance Manual Instructions

- 1) To avoid dropping, you should carry the sofa carefully.
- 2) If you find dirt and or stains on the chair, spray the sofa with a sofa specific cleaner then use a sponge or cloth to wipe the dirt away. Do not use water, soapy water or cleaner with waxed wooden areas. Take care to wipe the sofa carefully and gently.
- 3) Do not put the sofa in an area with direct sunlight and do not put the sofa directly in front of an air conditioner, this will fade the upholstery and make it brittle.

How to Disassemble

Please find a strong tool to prod the small piece of metal grooves, then the backrest will be pulled out.

