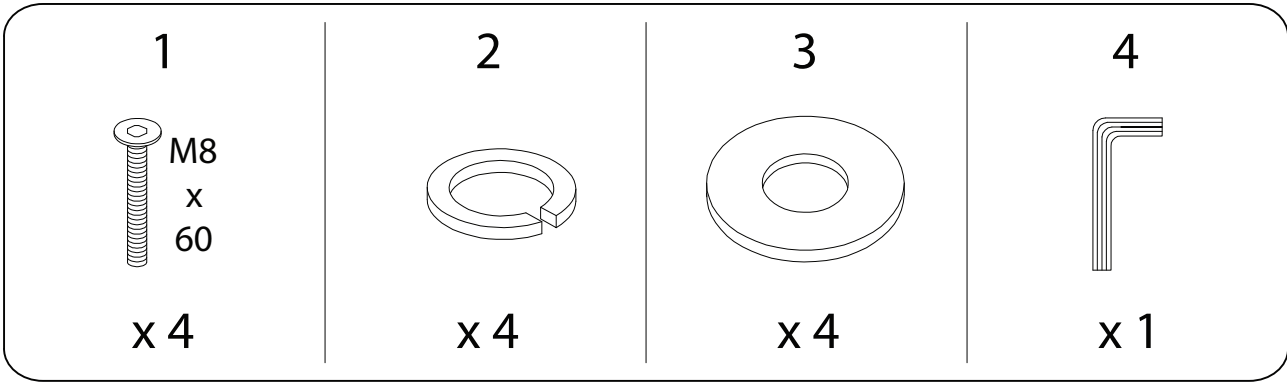
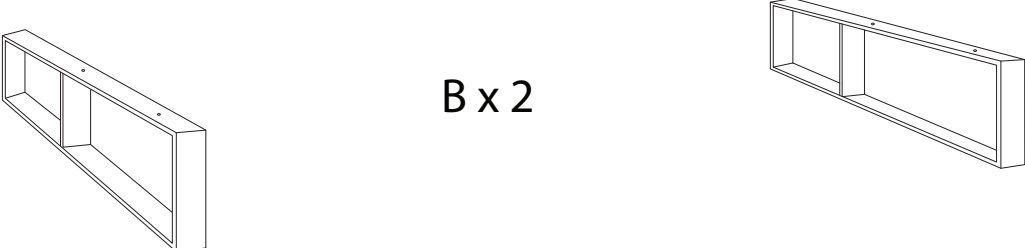
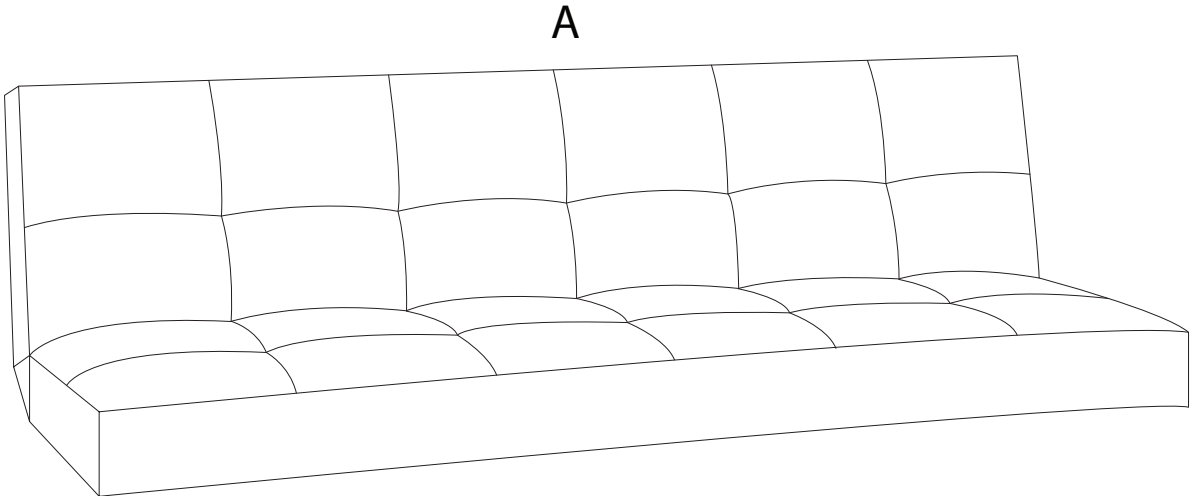
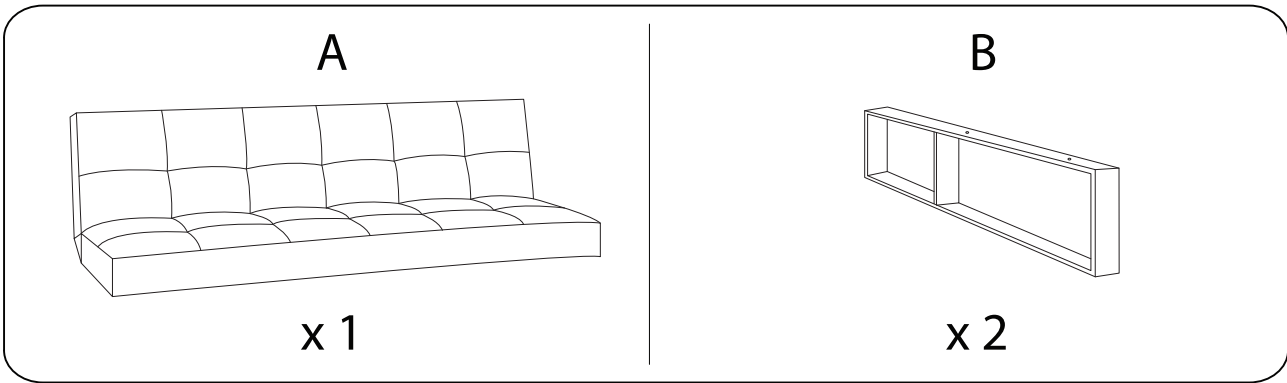
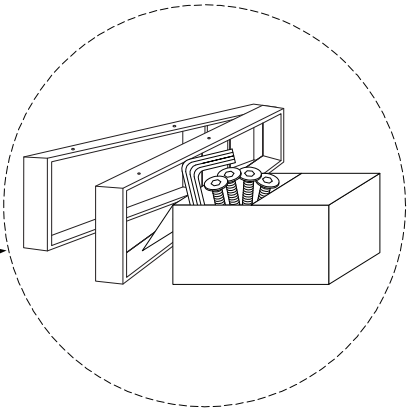
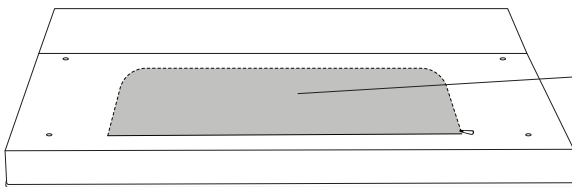
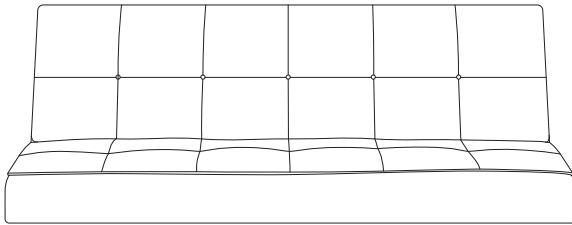
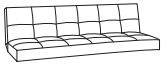
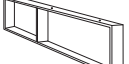
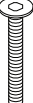


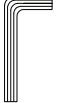

		20'
		1

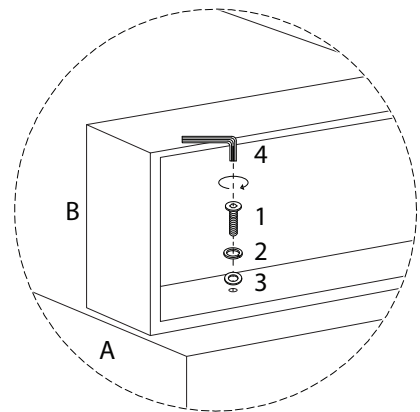
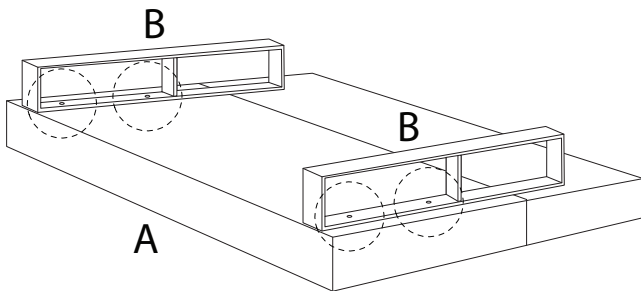


!



1

A  x 1	B  x 2	1  M8 x 60 x 4	2  x 4	3  x 4	4  x 1
--	--	---	---	--	--



2

