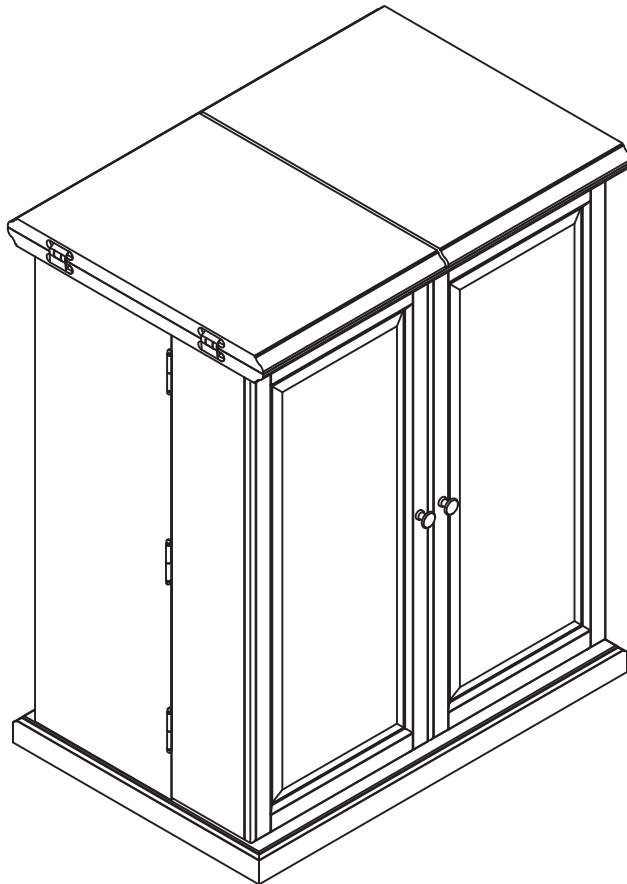
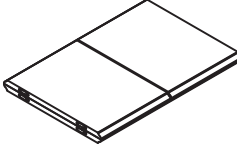
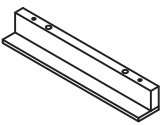
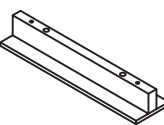


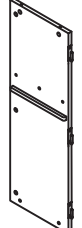
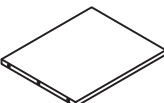
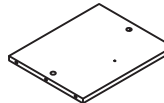
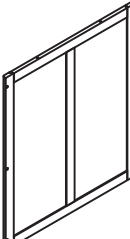
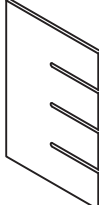
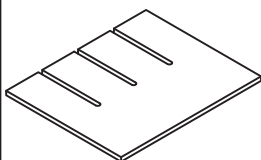
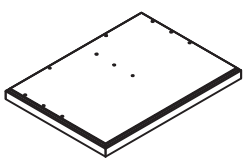


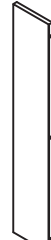

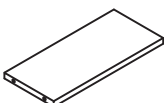

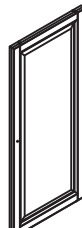
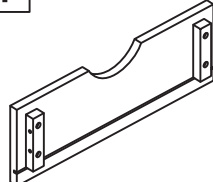
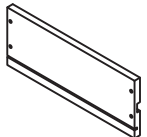
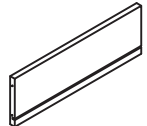
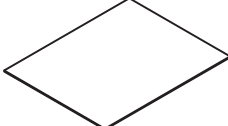
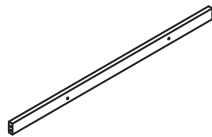


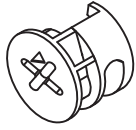
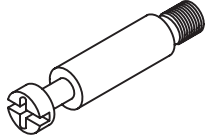
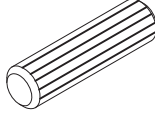


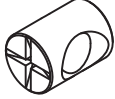
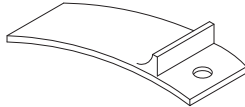

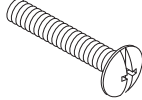
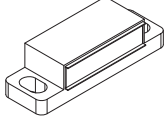

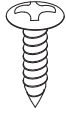
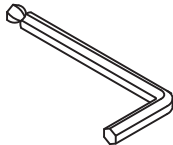


Expandable Bar Cabinet



PART LIST

<p>A</p> 	<p>B</p> 	<p>C</p> 	<p>D</p> 	<p>E</p> 
<p>EXPANDABLE TOP 1 PC</p>	<p>STEM WARE HOLDER SHAPE L 4 PCS</p>	<p>STEM WARE HOLDER SHAPE T 4 PCS</p>	<p>LEFT SIDE PANEL 1 PC</p>	<p>MIDDLE VERTICAL PANEL 1 PC</p>
<p>F</p> 	<p>G</p> 	<p>H</p> 	<p>I</p> 	<p>J</p> 
<p>RIGHT SIDE PANEL 1 PC</p>	<p>LEFT FIXED SHELF 1 PC</p>	<p>RIGHT FIXED SHELF 1 PC</p>	<p>BACK PANEL 1 PC</p>	<p>WINE HOLD SHELF 3PCS</p>
<p>K</p> 	<p>L</p> 	<p>M</p> 	<p>N</p> 	<p>O</p> 
<p>WINE HOLDER WOOD STAND 3PCS</p>	<p>BOTTOM PANEL 1 PC</p>	<p>RIGHT SIDE PANEL OF RIGHT DOOR 1 PC</p>	<p>LEFT SIDE PANEL OF RIGHT DOOR 1 PC</p>	<p>RIGHT SIDE PANEL OF LEFT DOOR 1 PC</p>
<p>P</p> 	<p>Q</p> 	<p>R</p> 	<p>S</p> 	<p>T</p> 
<p>LEFT SIDE PANEL OF LEFT DOOR 1 PC</p>	<p>SHELF OF STORAGE DOOR 8 PCS</p>	<p>SUPPORT RAIL OF STORAGE DOOR 6 PCS</p>	<p>DOOR PANEL 2 PCS</p>	<p>DRAWER FRONT OF DRAWER 1 PC</p>
<p>U</p> 	<p>V</p> 	<p>W</p> 	<p>X</p> 	
<p>SIDE PANEL OF DRAWER 2 PCS</p>	<p>BACK PANEL OF DRAWER 1 PC</p>	<p>DRAWER BOTTOM PANEL 1 PC</p>	<p>TOP RAIL 1 PC</p>	

HARDWARE LIST

<p>1</p> 	<p>2</p> 	<p>3</p> 	<p>4</p> 	<p>5</p> 
<p>CAM LOCK 46 PCS(Extra 2)</p>	<p>CAM BOLT 46 PCS</p>	<p>WOOD DOWEL 73 PCS</p>	<p>SCREW 10 PCS(Extra 1)</p>	<p>HEX SOCKET HEAD BOLT 6 PCS</p>
<p>6</p> 	<p>7</p> 	<p>8</p> 	<p>9</p> 	<p>10</p> 
<p>BARREL NUT 6 PCS</p>	<p>STOPPER 1 PC</p>	<p>KNOB 2 PCS</p>	<p>ROUND HEAD BOLT 2 PCS</p>	<p>DOOR CATCH 2 PCS</p>
<p>11</p> 	<p>12</p> 	<p>13</p> 	<p>14</p>  1-1/2"*φ4*D8	<p>15</p> 
<p>PAD 4 PCS</p>	<p>ROUND HEAD SCREW 5 PCS(Extra 1)</p>	<p>ALLEN KEY 1 PC</p>	<p>SCREW 16 PCS(Extra 1)</p>	<p>SAFETY STRAP KIT 1 PC</p>

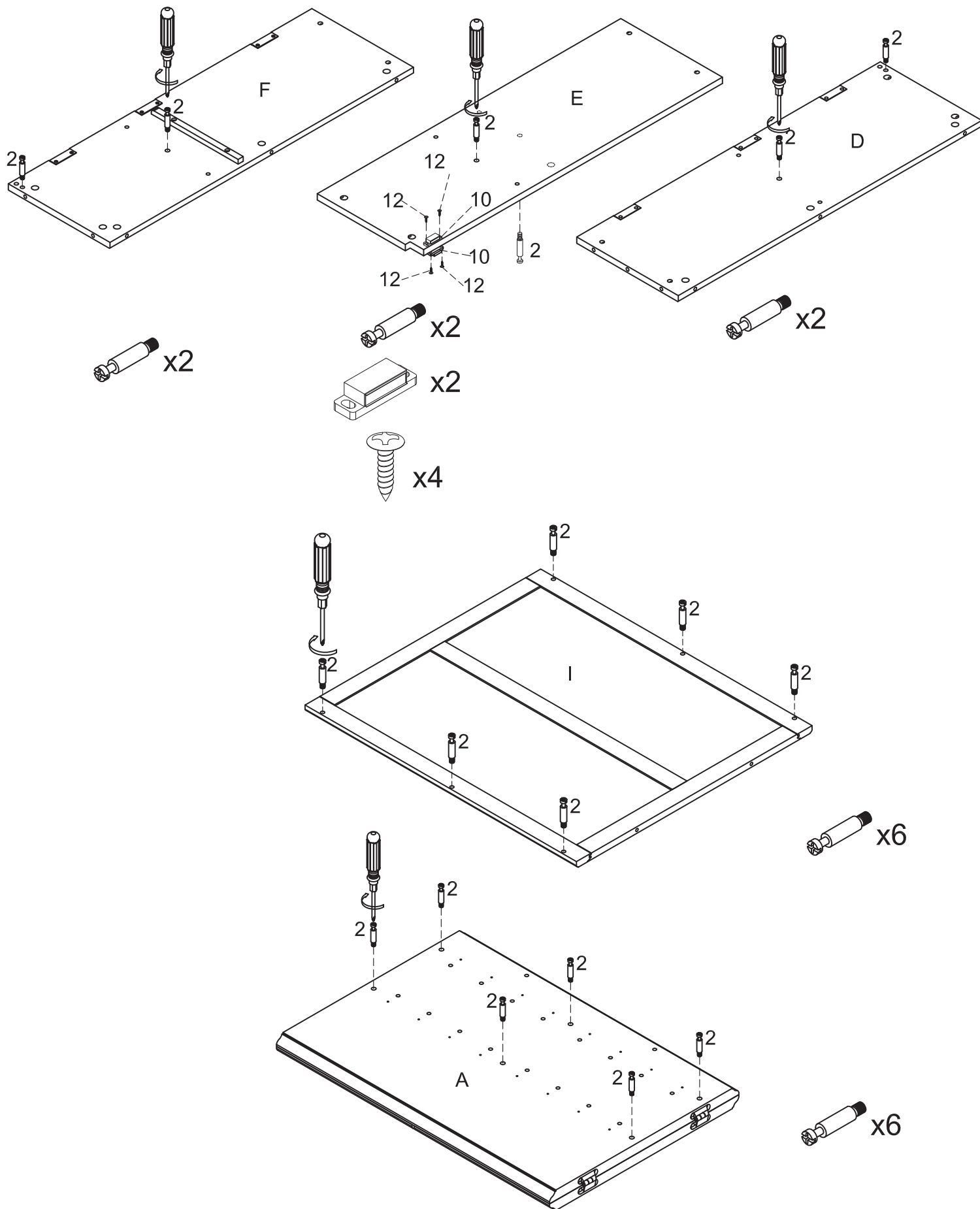
ADDITIONAL TOOLS (Not Provided)

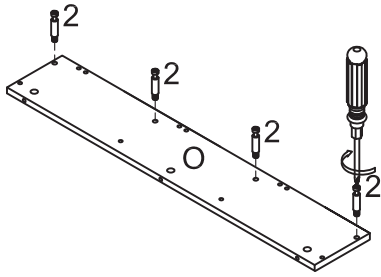
Note:It is not recommended to use power tools during assembly. However a screw gun can assist with mounting.



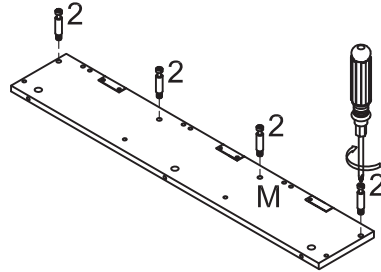
Phillips Head Screw Driver

Step 1. Insert Cam Bolts (Part #2) into pre-drilled holes of Parts A, D, E, F, I, M, N, O, P & S with a Phillips Head screw driver as shown. Attach Hardware Knobs (Part #8) to Door Fronts (Parts S) with Round Head Bolts (Part #9) using Phillips Head screwdriver as shown. Attach Door catches (Part# 10) to Part E with Round Head Screws (Part# 12) using Phillips Head Screw driver as shown.

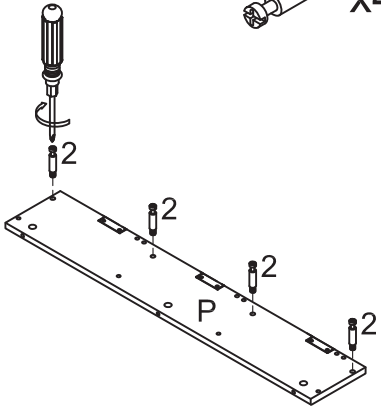




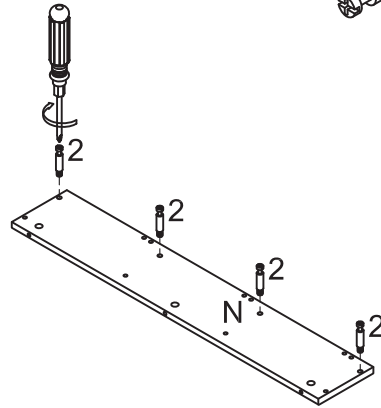
x4



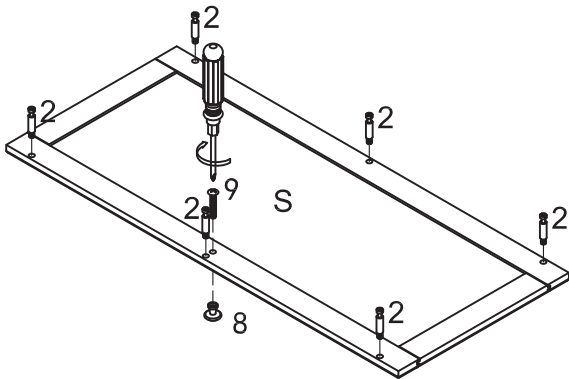
x4



x4



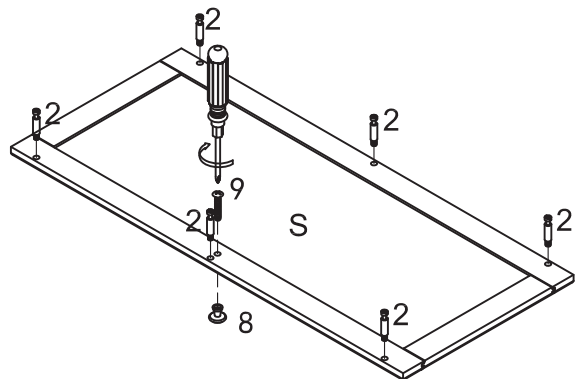
x4



x6

x2

x2

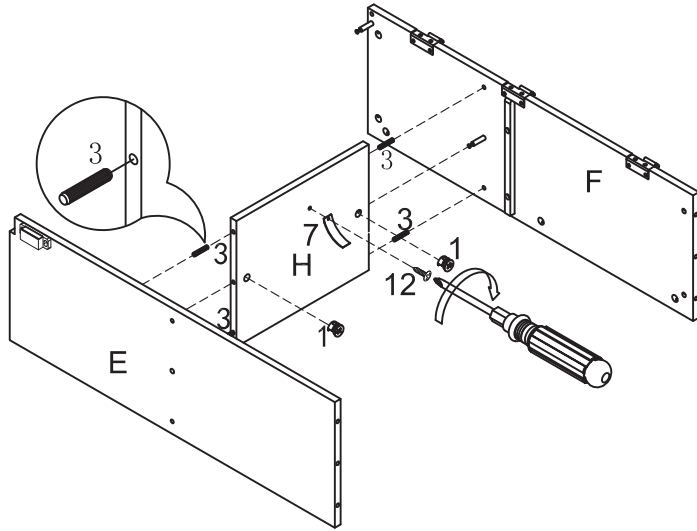
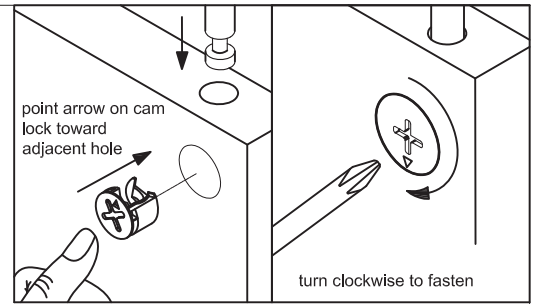






x6

x2

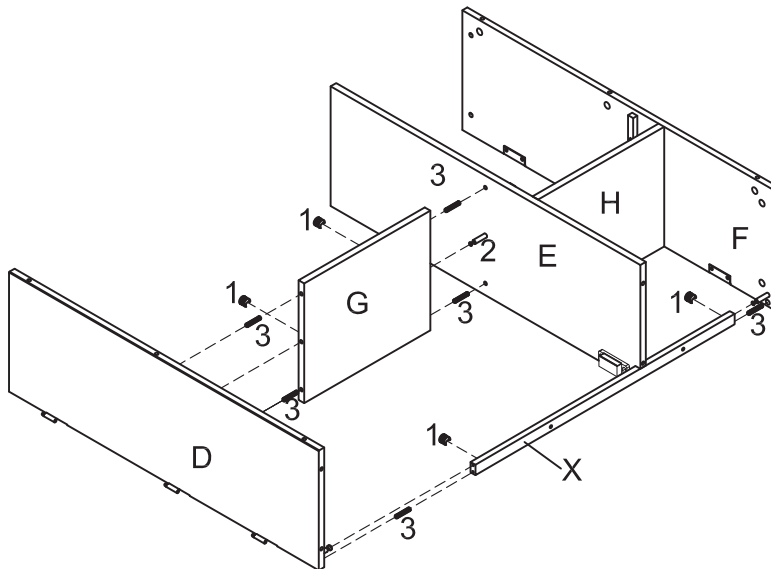
x2



Step 2. Attach Stopper (Part #7) to Part H with Round Head Screw (Part #12) into pre-drilled hole using Phillips Head screw driver as shown. Attach Parts E & F to Part H using Wood Dowels & Cam Locks as shown.

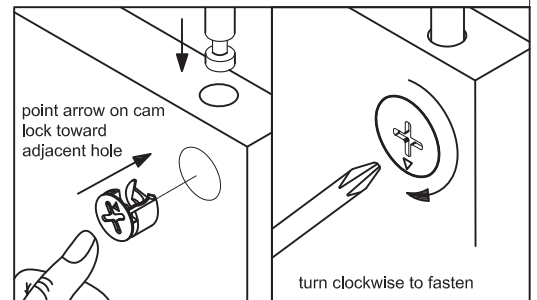


-  x2
-  x1
-  x1
-  x4

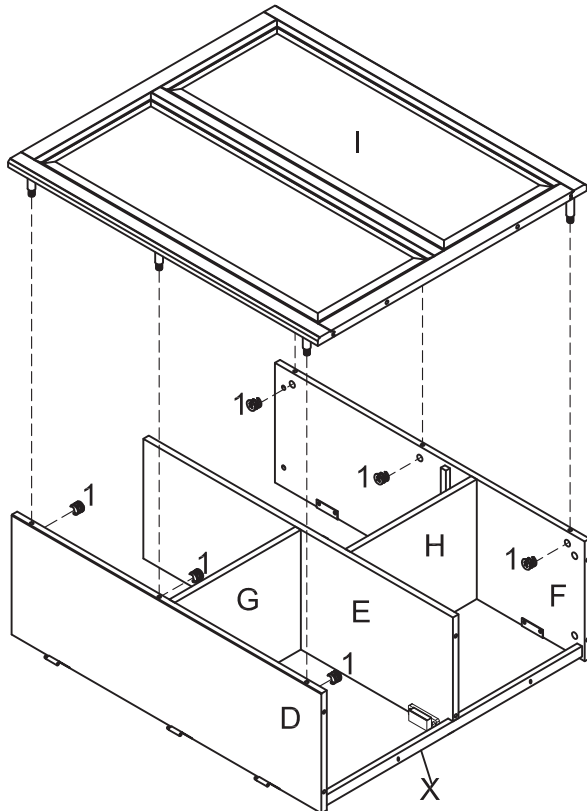
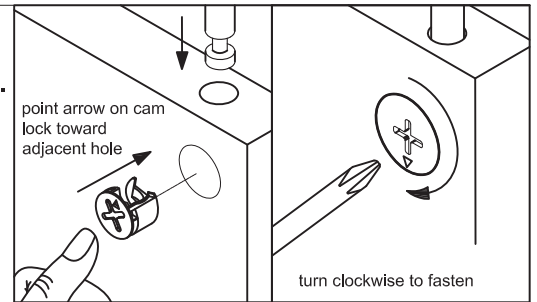
Step 3. Attach Part X to Part F with Wood Dowel and Cam Lock as shown. Now attach Part G to Part E using Wood Dowels & Cam Locks as shown. Finally, attach Part D to Parts G & X using Wood Dowels & Cam Locks as shown.



-  x6
-  x4

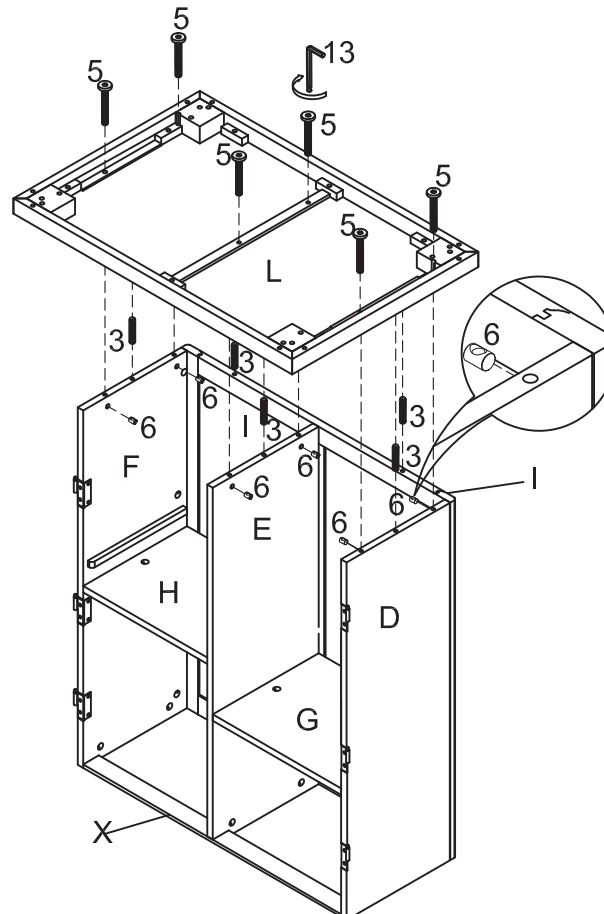


Step 4. Attach Back Panel I to Parts D & F using Cam Locks as shown.



 x6

Step 5. Carefully turn cabinet onto its end with Part X flat on the floor. Attach Base L to Parts D, E, F, & I using Wood Dowels and Barrel Nuts as shown. Attach legs using Hex Socket Head Bolts & Wood Dowels (as shown in instruction manual included in carton with legs). Carefully turn cabinet over so that legs are now on the floor.

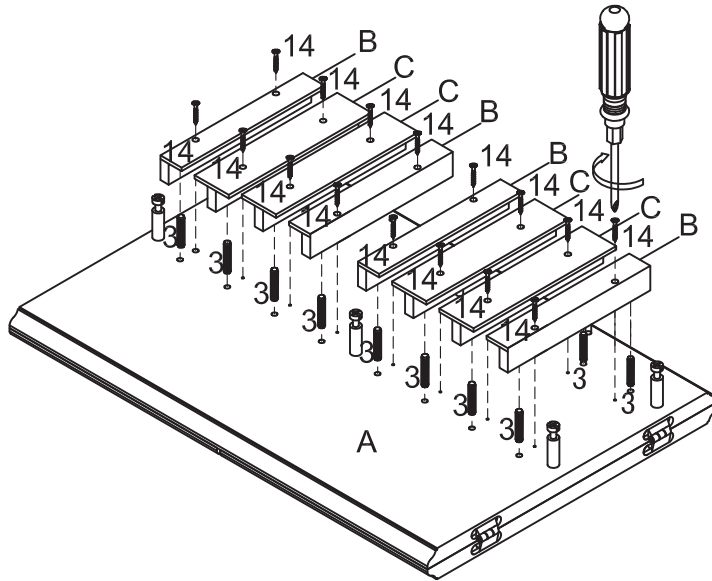


 x6

 x5

 x6

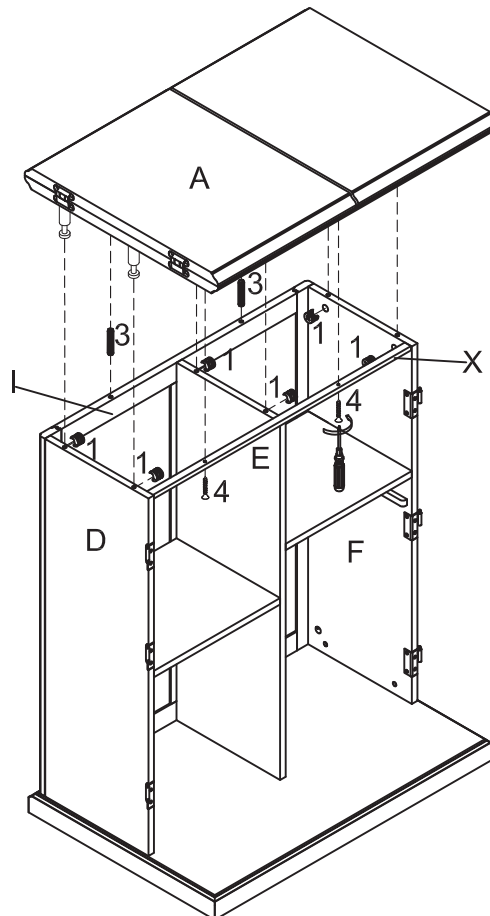
Step 6. Attach Stem Ware Holders (Parts B & C) to Expandable Top A with Wood Dowels and 1 1/2" Screws (Part #14) using Phillips Head screw driver as shown. **Note: Pay close attention to positioning of Parts B & C. Stem Ware Holder B is an L shaped part. Holder C is a T shaped part. DO NOT OVER TIGHTEN SCREWS!**



 x16
1-1/2"

 x16

Step 7. Attach Expandable Top A to Parts D, E, F, & I with Wood Dowels & Cam Locks as shown. Secure Rail X to Expandable Top A with Screws (Part #4) using Phillips Head screw driver as shown.

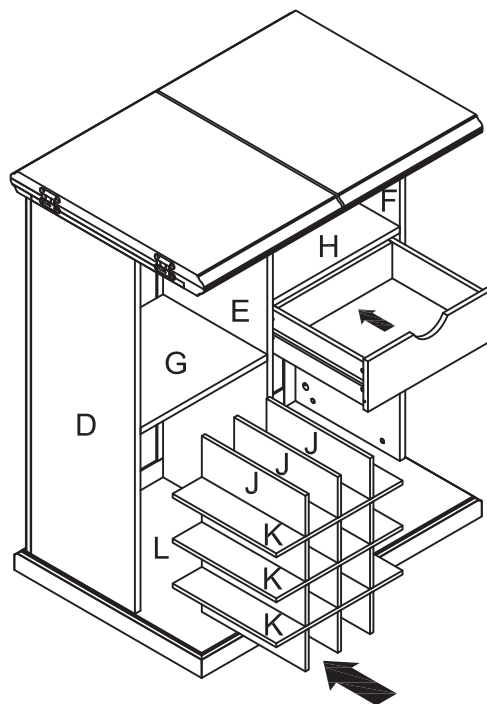
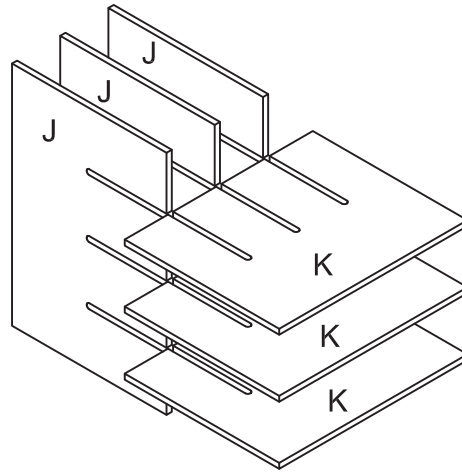


 x2

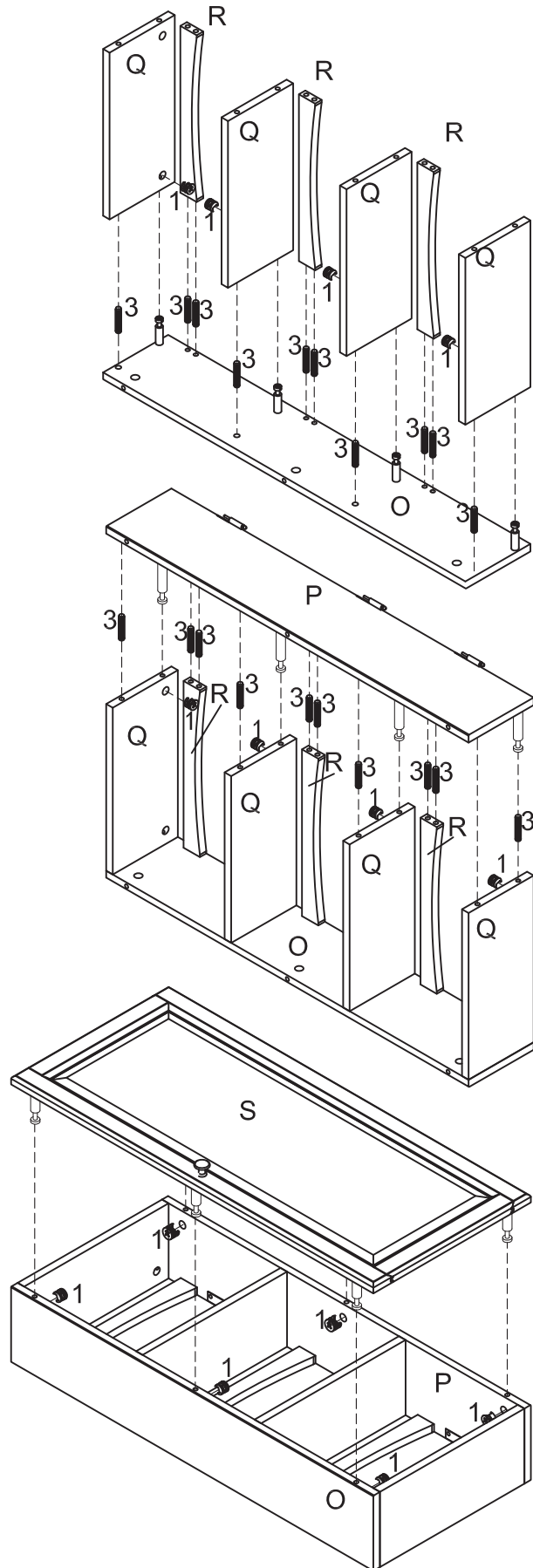
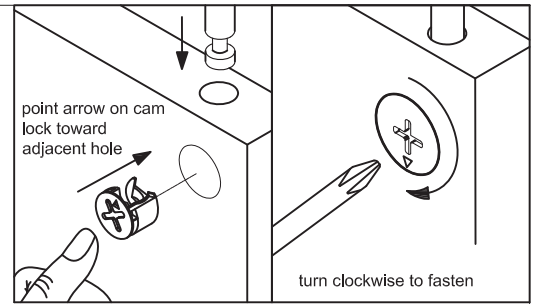
 x6

 x2

Step 9. Slide Parts J & K together to create wine storage grid. Insert assembled Parts J & K into their appropriate position as shown. Insert assembled drawer from Step 8 into its appropriate position as shown.



Step 10. **(Front Left Storage Door)** - Attach Part Q to Door Side O with Wood Dowels & Cam Locks as shown. Set Rails R into place on Door Side O with Wood Dowels as shown. Attach Door Panel P to Parts Q & R with Wood Dowels and Cam Locks as shown. Lay Door Cabinet flat with parts R flat on floor. Attach Door Front S to Door Sides O & P with Cam Locks as shown.



 x4

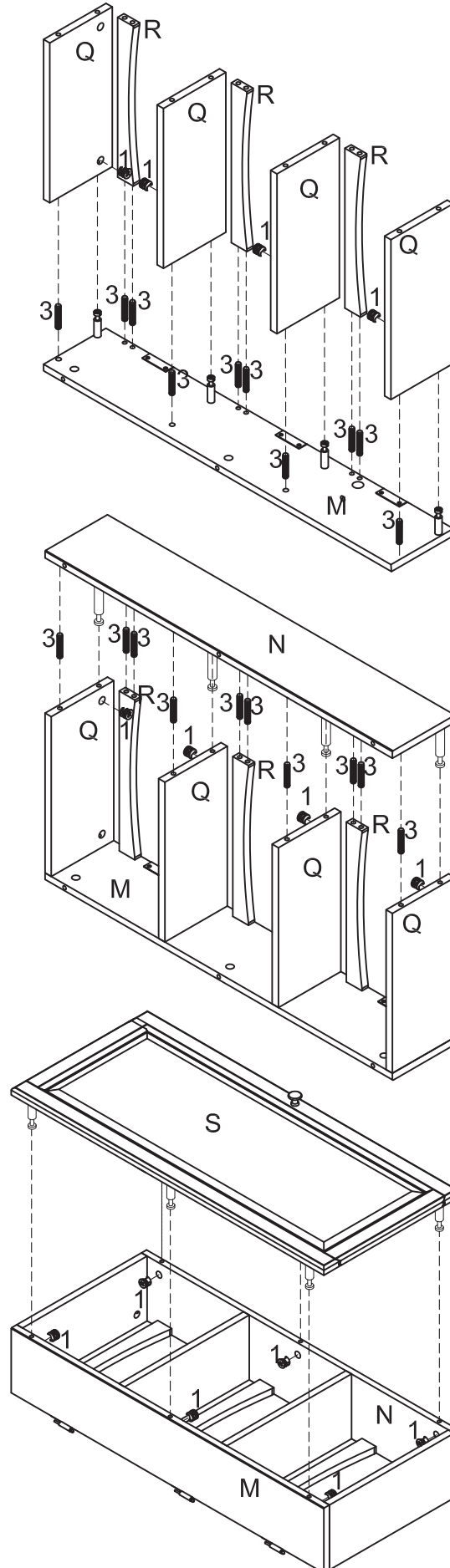
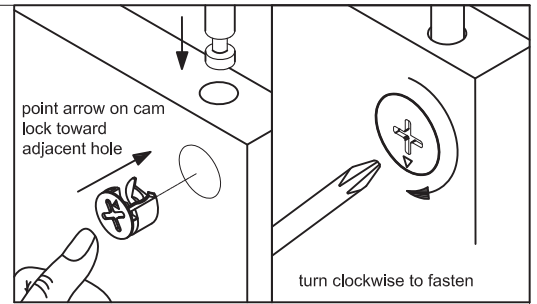
 x10

 x4

 x10

 x6

Step 11. **(Front Right Storage Door)** - Attach Part Q to Door Side M with Wood Dowels & Cam Locks as shown. Set Rails R into place on Door Side M with Wood Dowels as shown. Attach Door Panel N to Parts Q & R with Wood Dowels as shown. Attach Door Panel N to Parts Q & R with Wood Dowels and Cam Locks as shown. Lay Door Cabinet flat with parts R flat on floor. Attach Door Front S to Door Sides M & N with Cam Locks as shown.



 x4

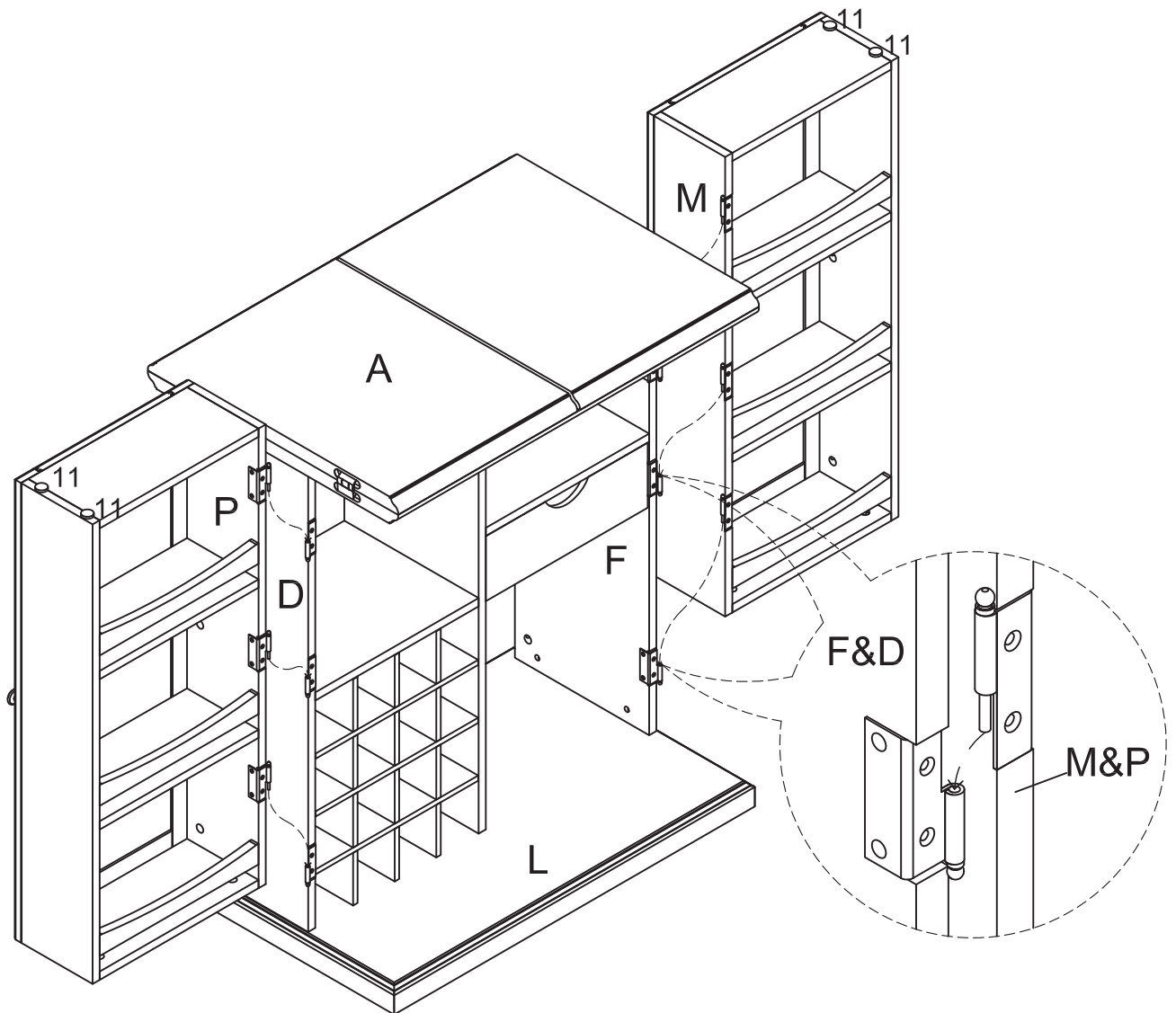
 x10

 x4

 x10

 x6

Step 12. Attach Assembled Front Left & Right Storage Doors to cabinet by aligning the hinges on the door with the hinges on the cabinet, and lowering into place. Put the PAD (Part 11) on the door. **Note:** Be sure that the hinges on the doors have lowered completely into place, and are flush with the hinges on the cabinet before closing the doors.

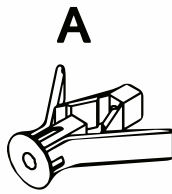


○ x4

15



SAFETY STRAP KIT
1 PC



WALL ANCHOR
Ax1 PC

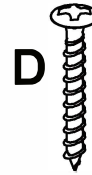


WASHER
Bx2PCS



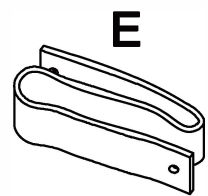
D8*3/4"

SHORT SCREW
Cx1PC



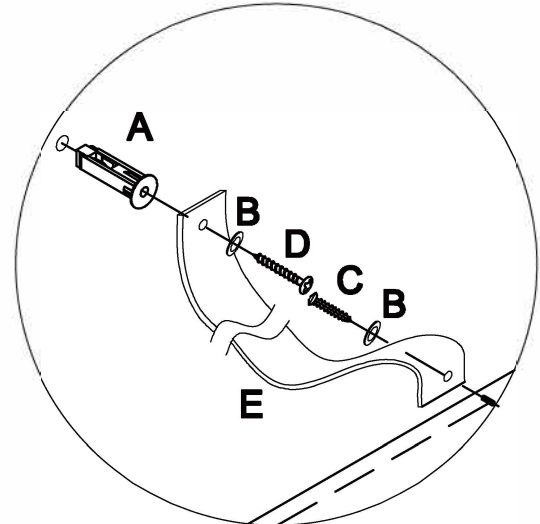
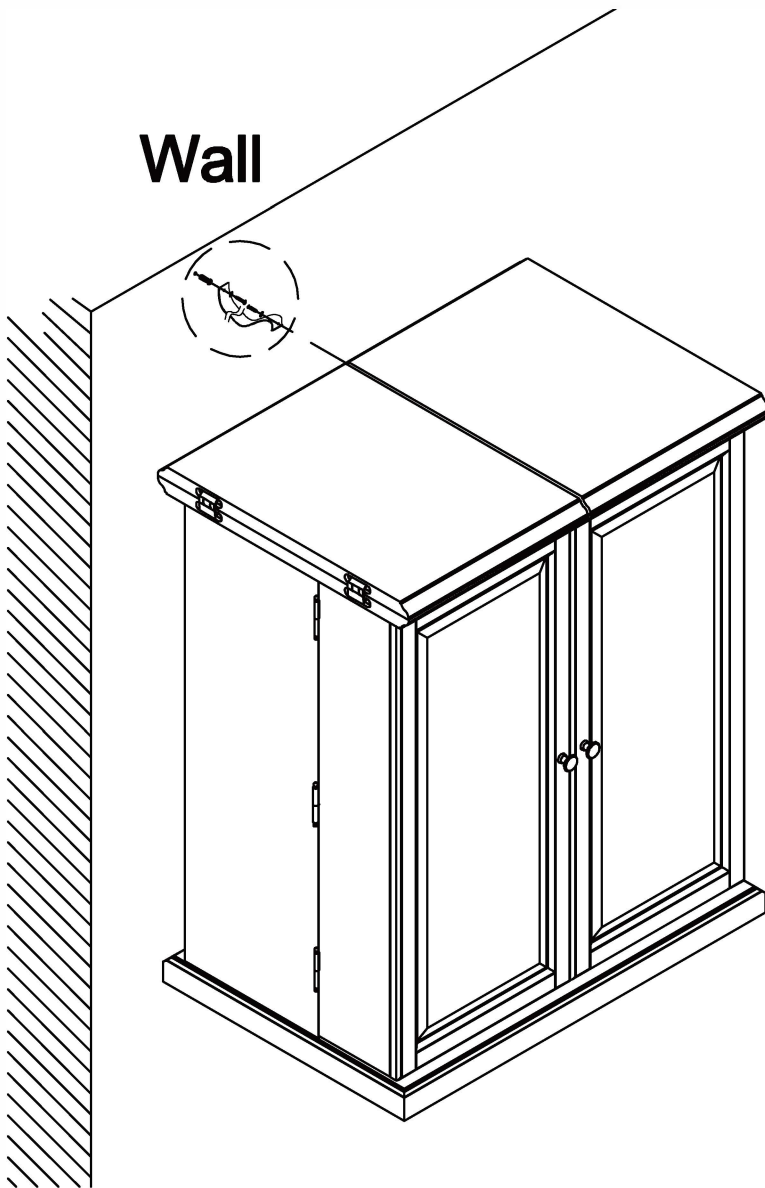
D8*1-1/2"

LONG SCREW
Dx1PC



SAFETY WALL STRAP
Ex1PC

Wall



Step 13
SAFETY WALL STRAP ASSEMBLY
INSTRUCTION

1) Insert Short Screw (Part#C) through Washer (Part#B) and Safety Wall Strap (Part#E) and screw it into Part I.

2) Drill a 9mm hole at a point where you want to secure/attach your Cabinet. Make sure that the height of the hole being drilled into the wall is equal to the height of the hole in part I. Tap Wall Anchor (Part#A) into the hole.

3) Insert Long Screw (Part#D) through a Washer (Part#B) and Wall Safety Strap (Part#E) into Wall Anchor (Part#A).

Note: This item is not intended for clothing storage use.

⚠ WARNING



Children have died from furniture tipover. To reduce the risk of furniture tipover:

- . ALWAYS install tipover restraint provided.
- . NEVER put a TV on this product.
- . NEVER allow children to stand, climb or hang on drawers, doors, or shelves.
- . NEVER open more than one drawer at a time.
- . Place heaviest items in the lowest drawers.



*This is a permanent label.
Do not remove!*