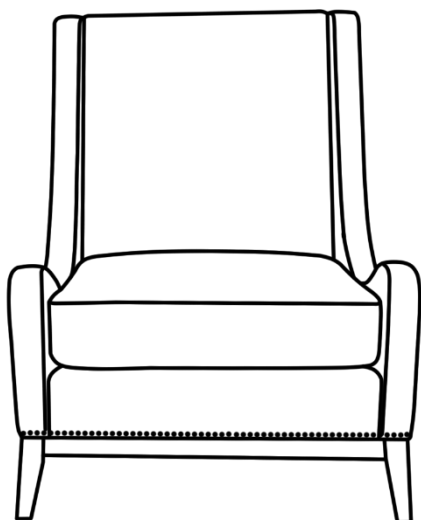


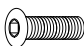



# CHAIR

Thank you for purchasing this **Chair**. Before you start, here are some helpful advice:

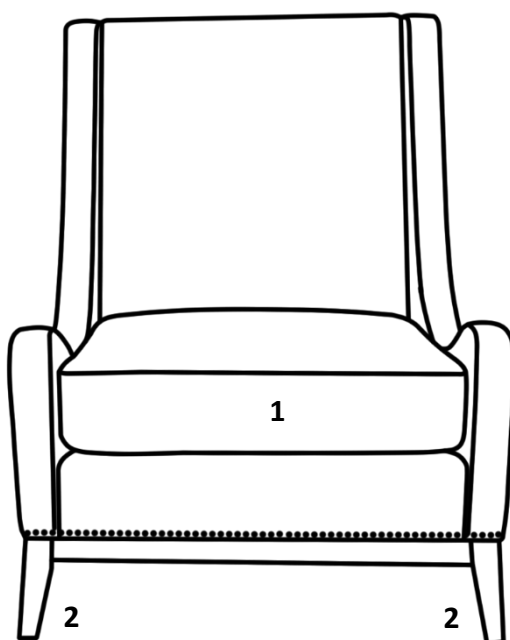
1. We suggest you spend a short time reading through this leaflet and then follow the simple step-by-step instructions.
2. Owing to the size and weight of the Chair, we recommend that it is assembled by two adults, on a carpeted or padded area, in the room that it is intended for. Approximate assembly time: 30 minutes.
3. Please do not use any tools other than those provided or recommended in these instructions.
4. Please do not throw away any of the packaging or the instruction until you have checked all the components and hardware and the furniture is fully assembled. Please ensure that the packaging is disposed of in a safe and environmentally friendly way.
5. Assemble all components loosely until advised to tighten. Depending on use, it may be necessary to tighten the components from time to time, so please save the tools that have been provided.
6. Please keep all pieces out of reach of children.



## Hardware:

- |    |   |               |    |
|----|---|---------------|----|
| A. |     | Bolt M6x60mm  | x8 |
| B. |   | Spring Washer | x8 |
| C. |  | Flat Washer   | x8 |
| D. |  | Allen Wrench  | x1 |

## Components:



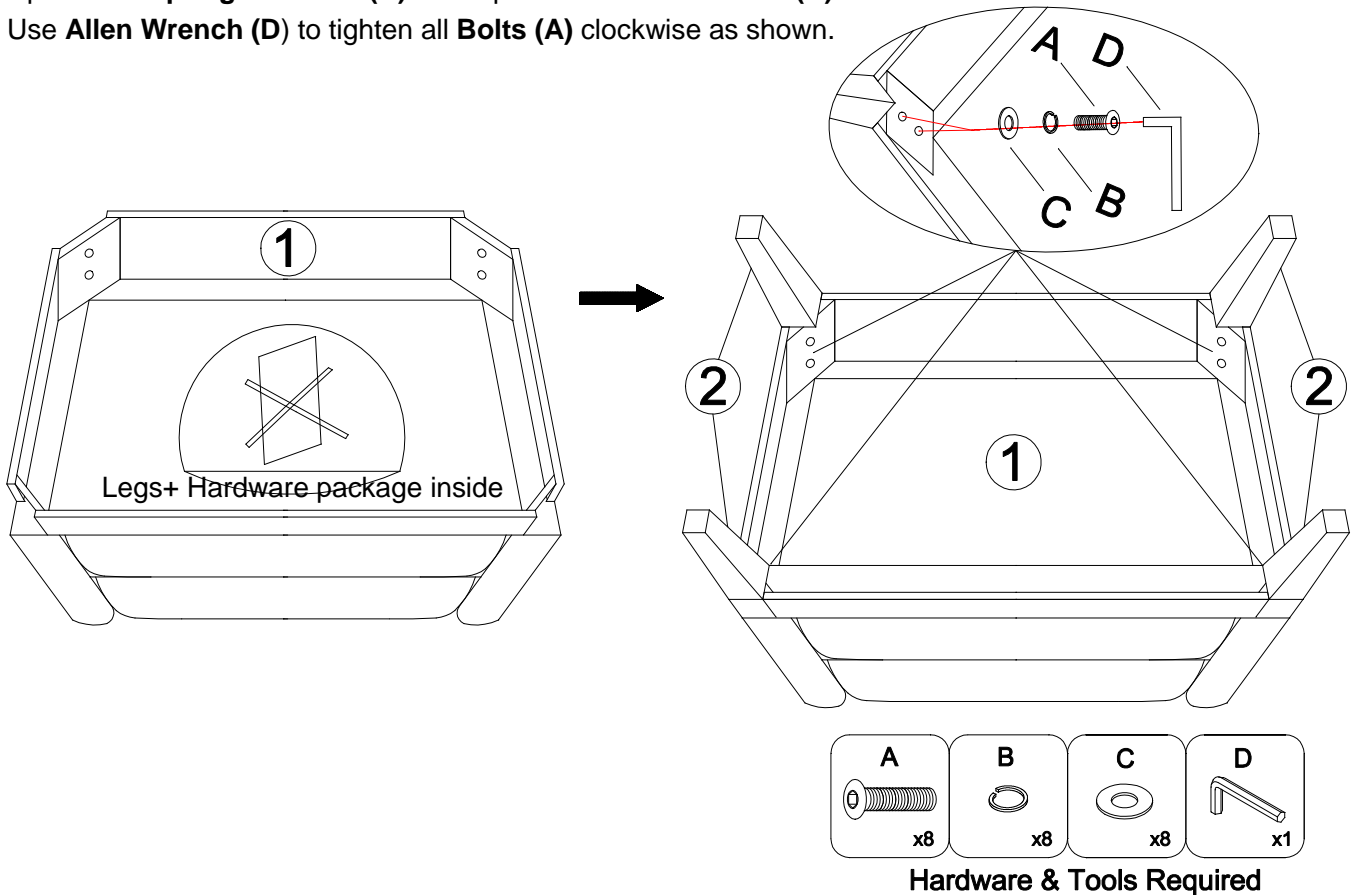
1. Chair Body x1

2. Leg x4

# CHAIR

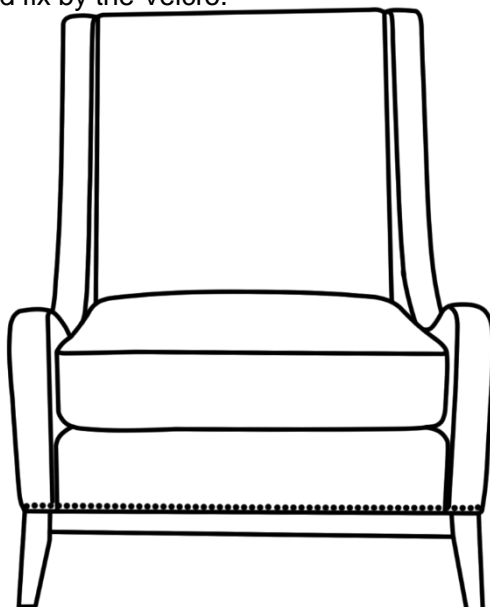
## STEP 1:

1. Please put **Chair Body (1)** upside down on a carpeted or padded surface.
2. Open the zipper on the bottom of the **Chair Body (1)** and take out the 4 pieces of **Legs (2)** and hardware package.
2. Attach 4 pieces of **Legs (2)** to the corner of **Chair Body (1)** by using 8 pieces of **Bolts (A)** with 8 pieces of **Spring Washers (B)** and 8 pieces of **Flat Washers (C)** as shown.
4. Use **Allen Wrench (D)** to tighten all **Bolts (A)** clockwise as shown.



## STEP 2:

- Close the zipper on the bottom of **Chair Body (1)**. Carefully turn over the assembled chair. Put the seat cushion on the seat and fix by the Velcro.



Assembly is complete. Your Chair is ready to enjoy now!