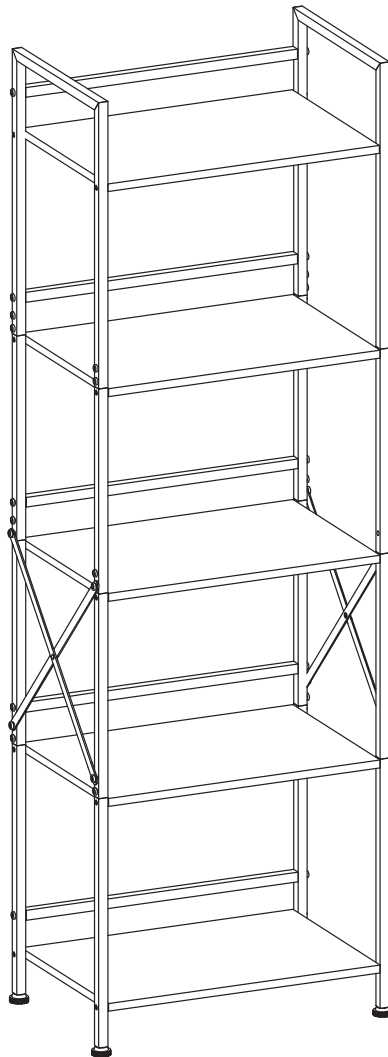


# Industrial Wood Bookshelf

## Instruction Manual

Note: There is also a more detailed installation video on the product detail page on website .



If you have any installation issues, contact us anytime via the following methods:

**Website: [flycitymall.com](http://flycitymall.com)**

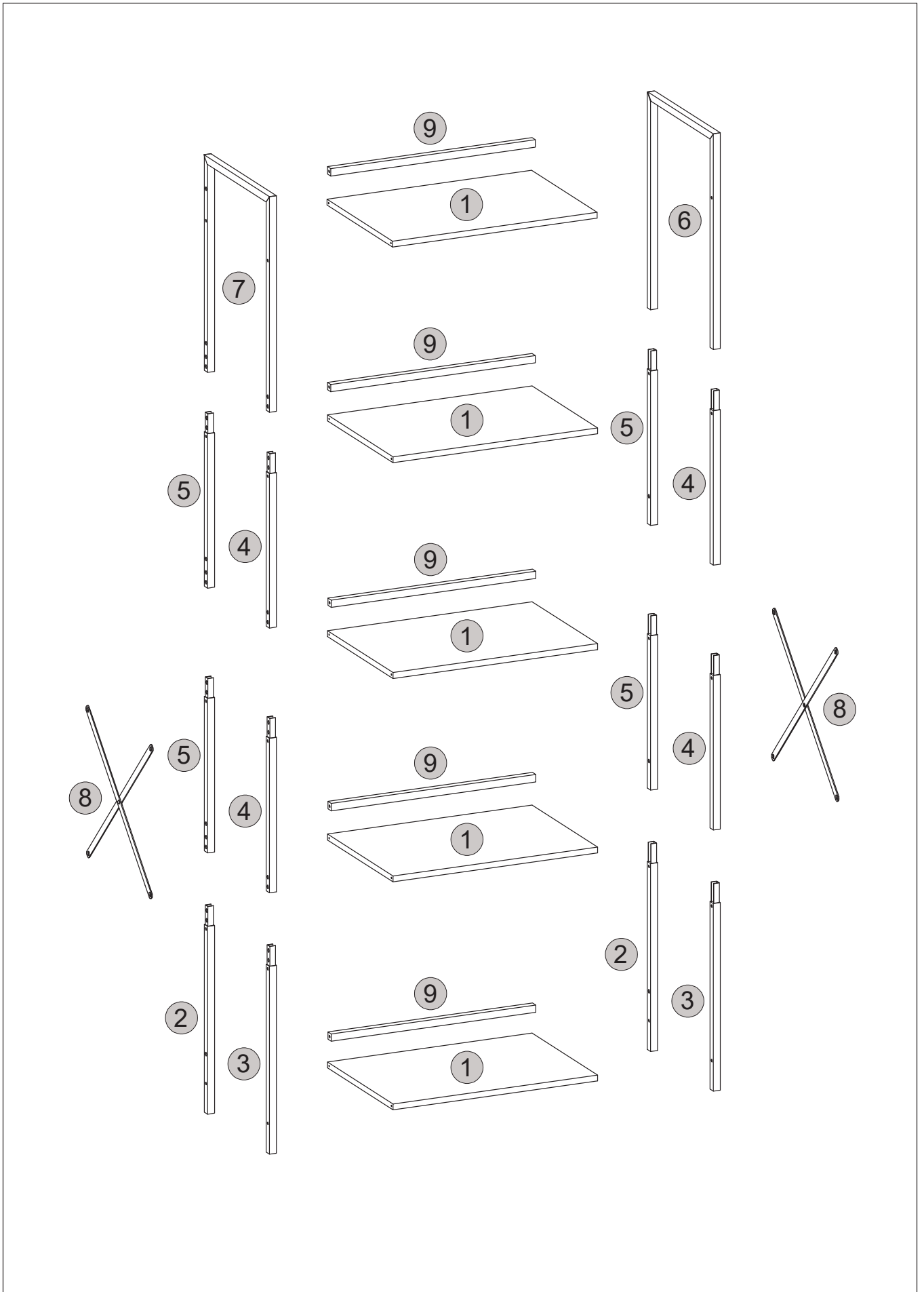
**Email: [support@flycitymall.com](mailto:support@flycitymall.com)**

**Facebook: [@flycitymall](https://www.facebook.com/flycitymall)**

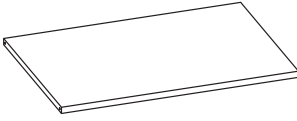




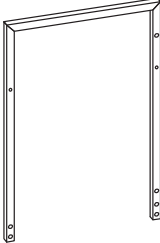
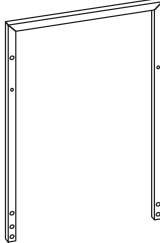


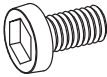
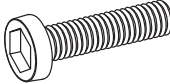
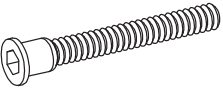
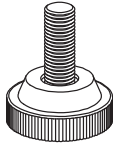
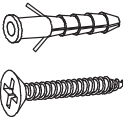

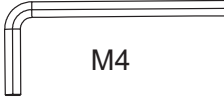
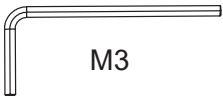
**Instagram: [@flycitymall](https://www.instagram.com/flycitymall)**

**YouTube: [@flycitymall](https://www.youtube.com/flycitymall)**

# Parts List(EN)



# Parts List(EN)

<p>① 5 PCS</p> 	<p>② 2 PCS</p> 	<p>③ 2 PCS</p> 	<p>④ 4 PCS</p> 
<p>⑤ 4 PCS</p> 	<p>⑥ 1 PC</p> 	<p>⑦ 1 PC</p> 	<p>⑧ 2 PCS</p> 
<p>⑨ 5 PCS</p> 	<p>A</p>  <p>M6x12 24+2 PCS</p>	<p>B</p>  <p>M6x22 10+1 PCS</p>	<p>C</p>  <p>M5x38 20+2 PCS</p>
<p>D</p>  <p>30xM6x15 4 PCS</p>	<p>E</p>   <p>E3 2 PCS</p>	<p>F</p>  <p>M4 1 PC</p>	<p>G</p>  <p>M3 1 PC</p>

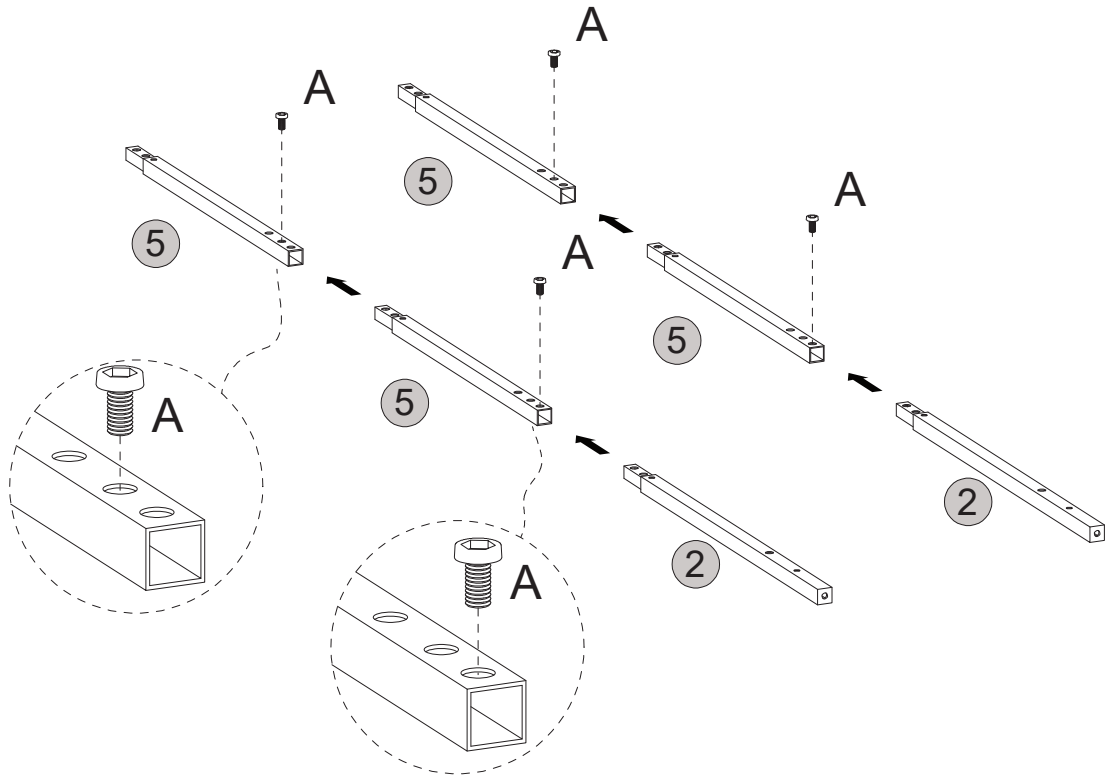


## MATTERS NEEDING ATTENTION

1. You need an assistant to complete the installation.
2. Before all parts are in place, do not over-tighten the screw.
3. In order to avoid giving you a bad installation experience, please follow the following steps in the installation instructions, and carefully distinguish between screws and boards.
4. To avoid choking hazards, please keep small parts and packaging materials away from children.
5. Adult assembly is required. Keep away from children during installation.
6. After the installation is completed, you can use cotton cloth to clean the board.
7. If you have any questions, please contact us, our email address is on the cover.

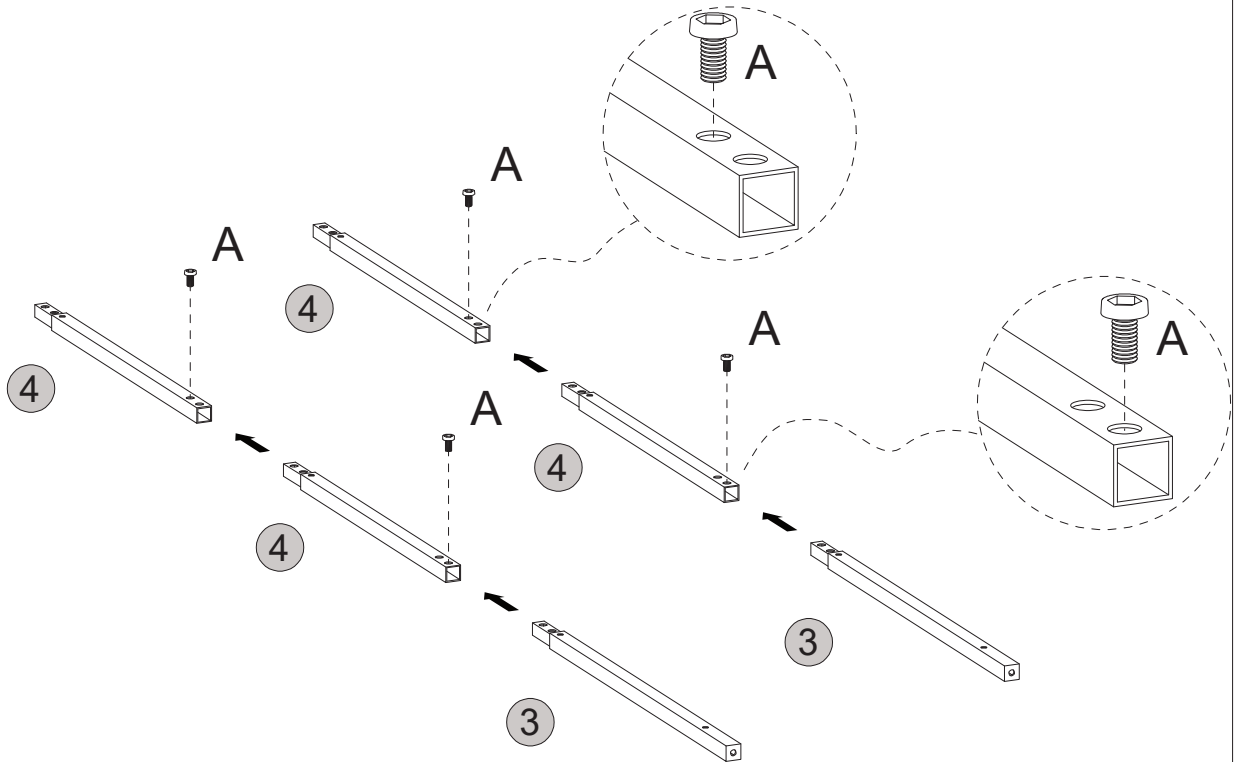
# Assembly Steps(EN)

## STEP 1



A x 4PCS

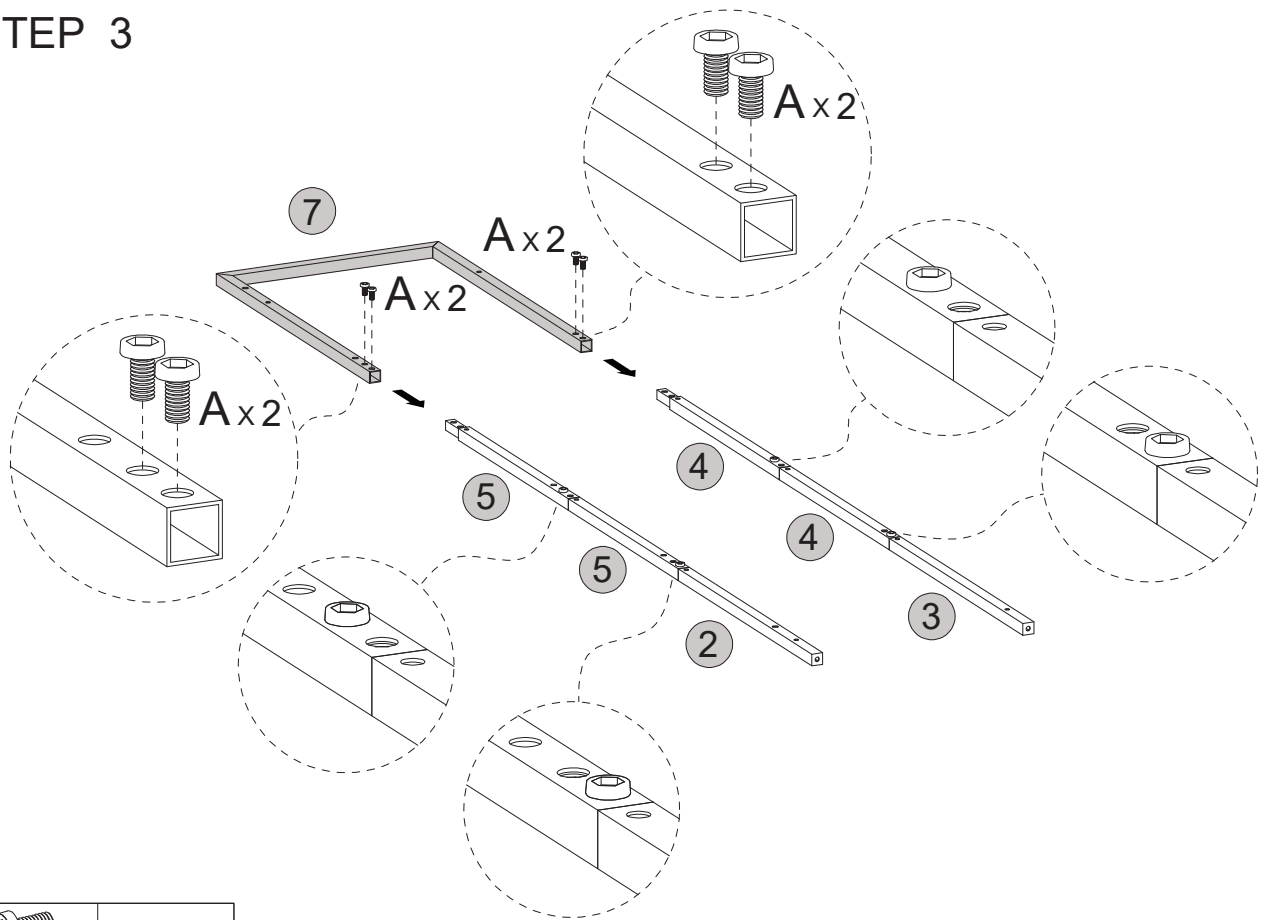
## STEP 2



A x 4PCS

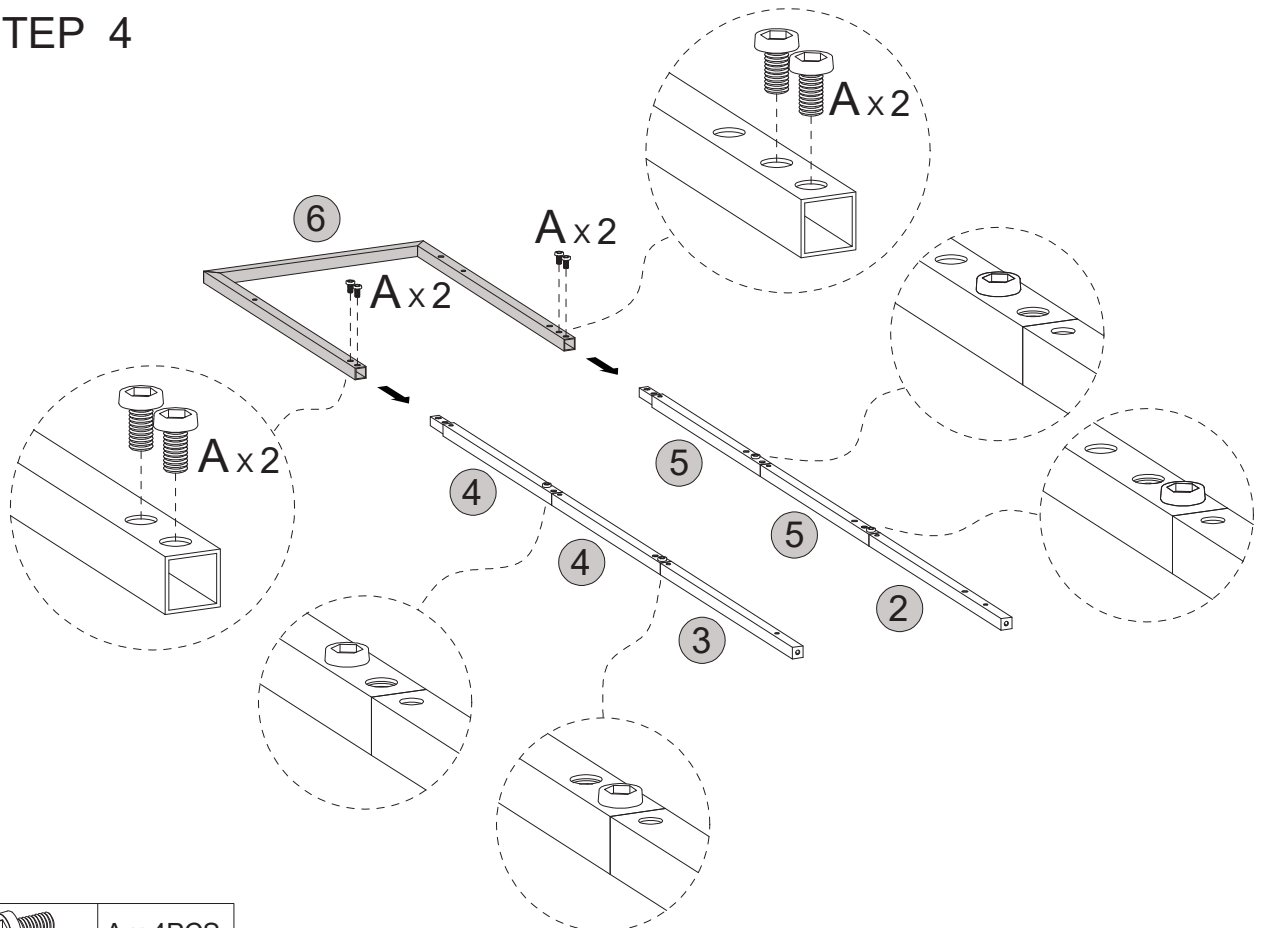
# Assembly Steps(EN)

## STEP 3



A x 4PCS

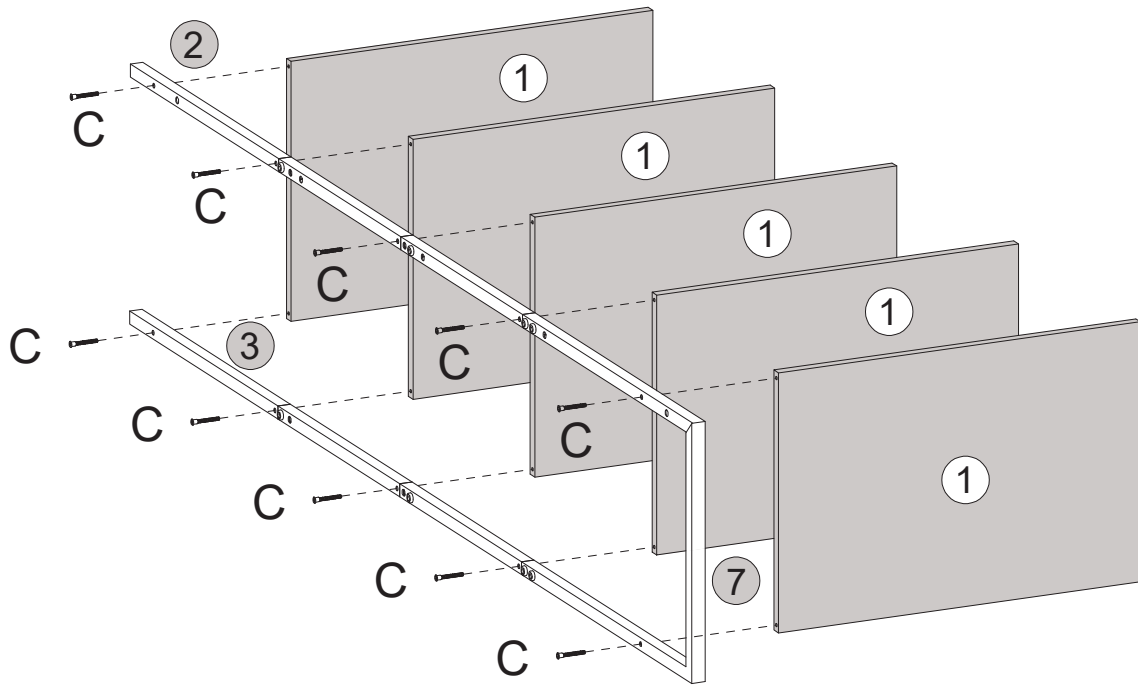
## STEP 4



A x 4PCS

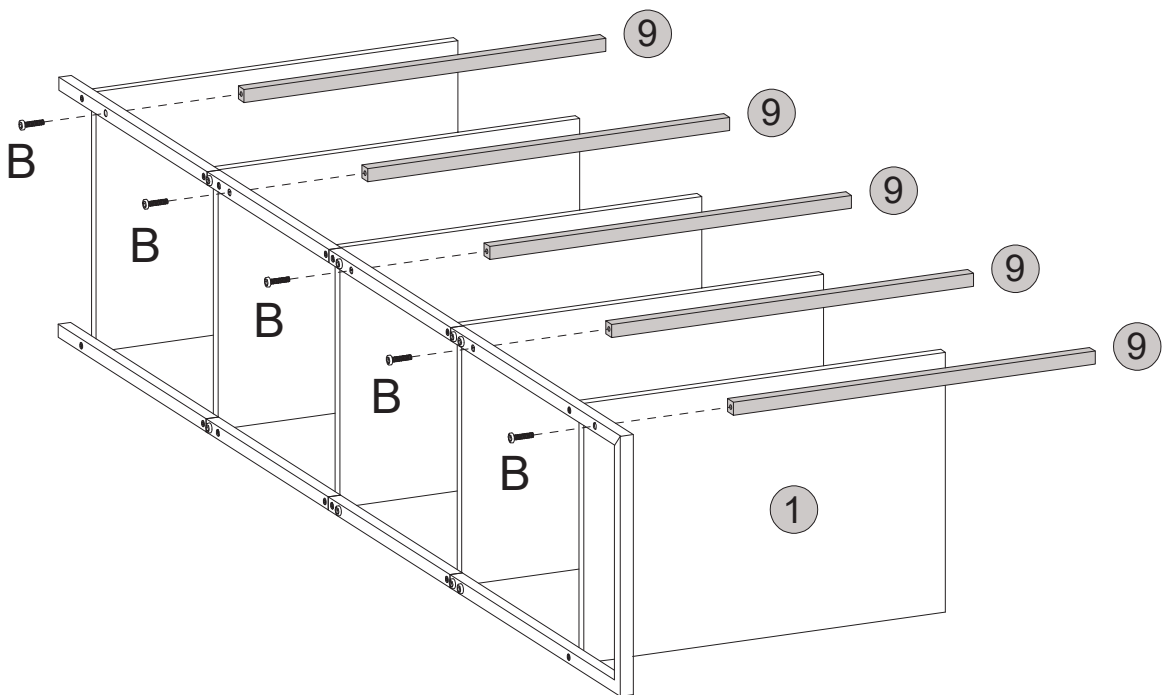
# Assembly Steps(EN)

## STEP 5



C x 10PCS

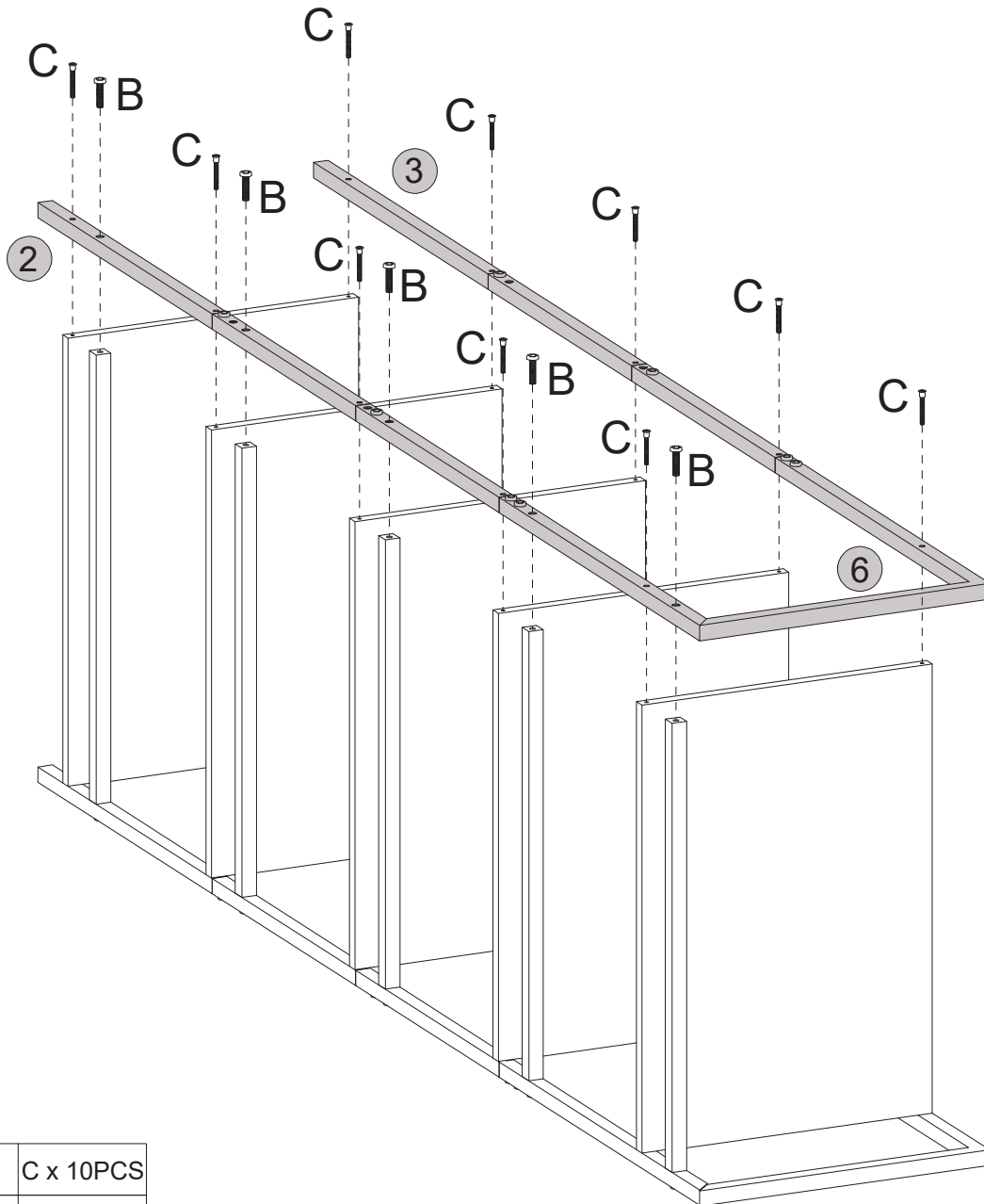
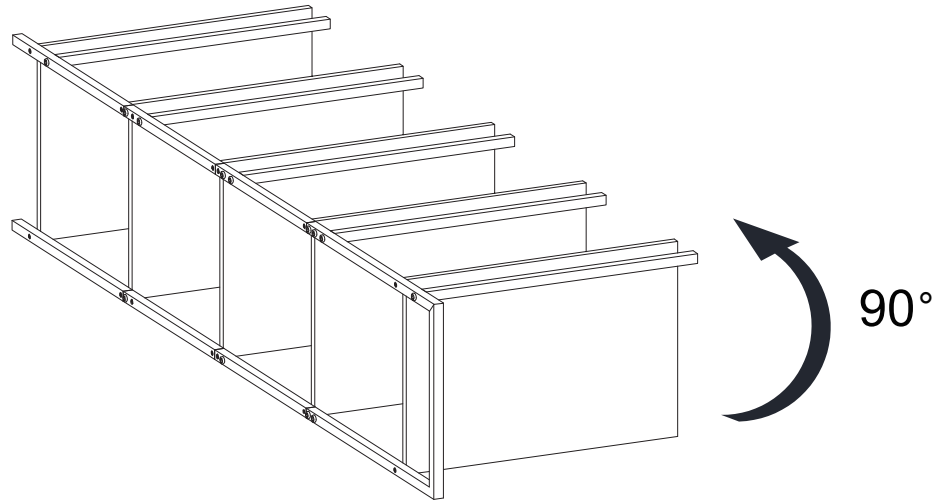
## STEP 6





B x 5PCS

# Assembly Steps(EN)

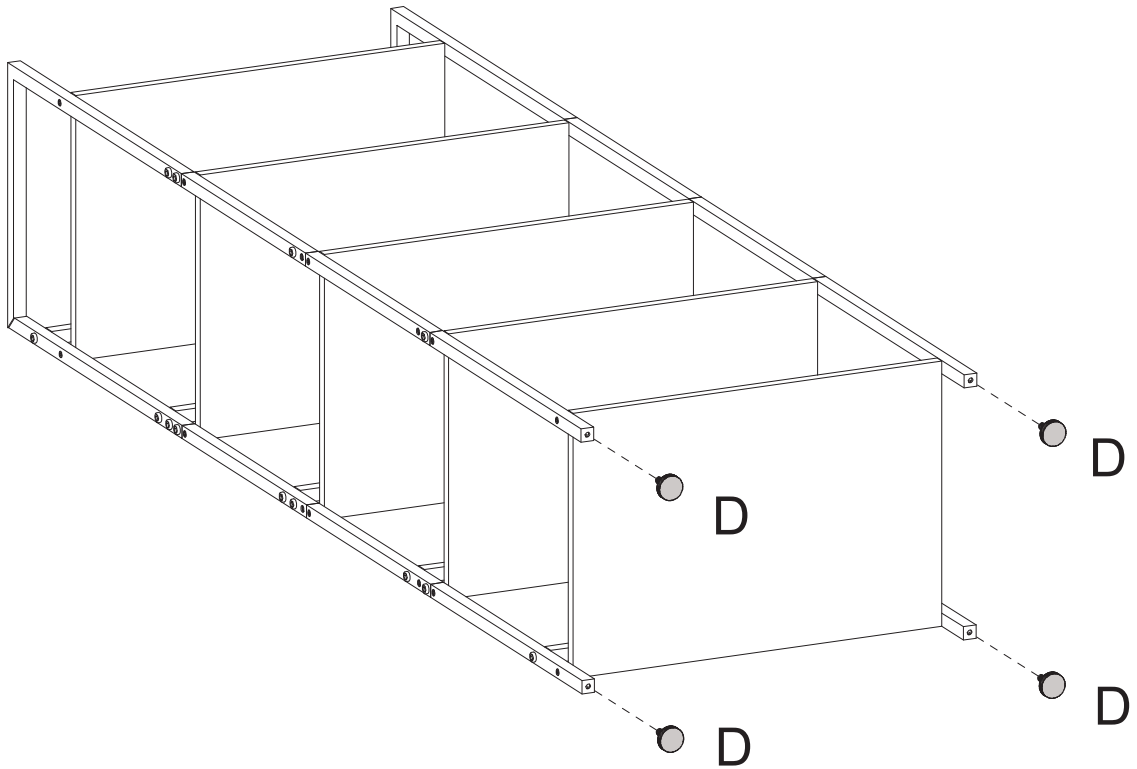
STEP 7



	C x 10PCS
	B x 5PCS

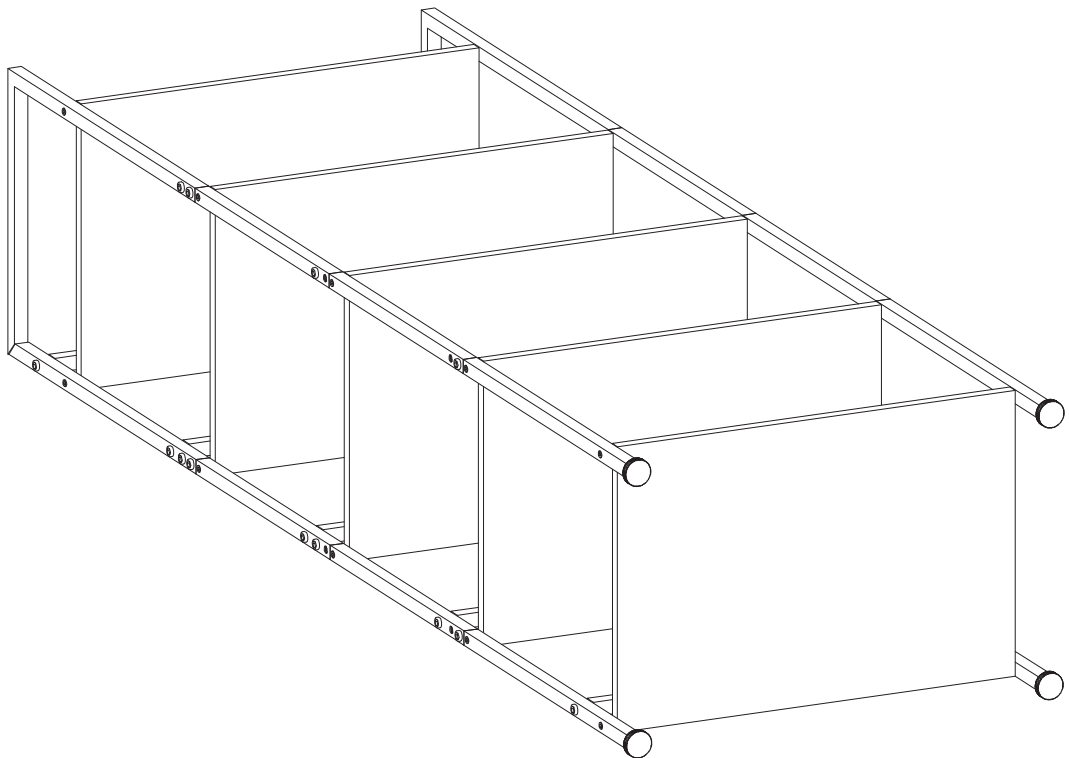
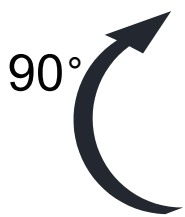
# Assembly Steps(EN)

## STEP 8



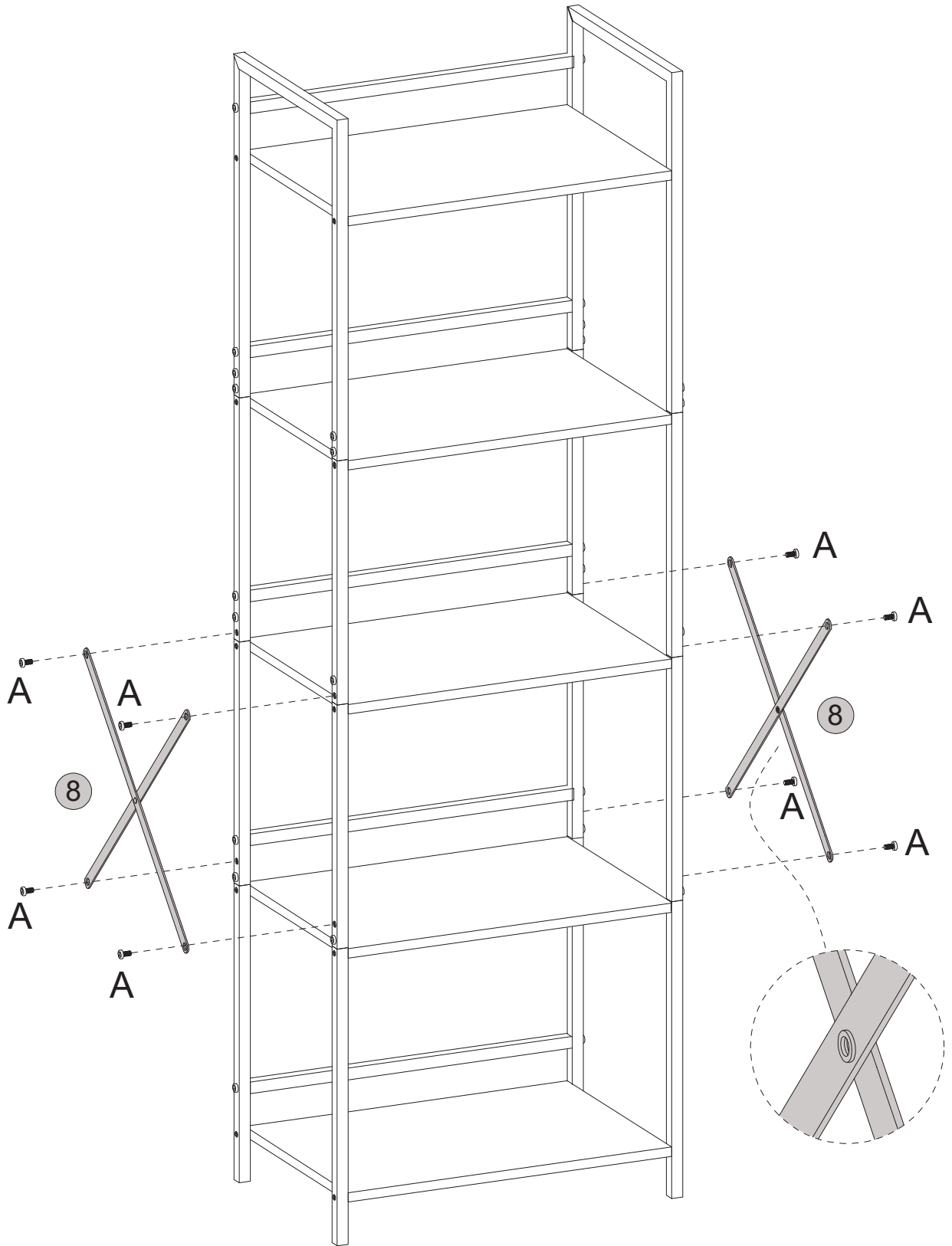
D x 4PCS

## STEP 9



# Assembly Steps(EN)

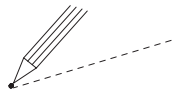
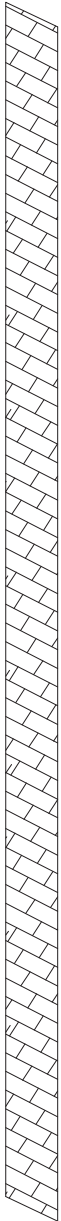
## STEP 10



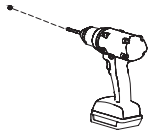
A x 8PCS

# Assembly Steps(EN)

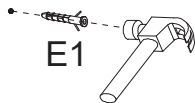
## STEP 11



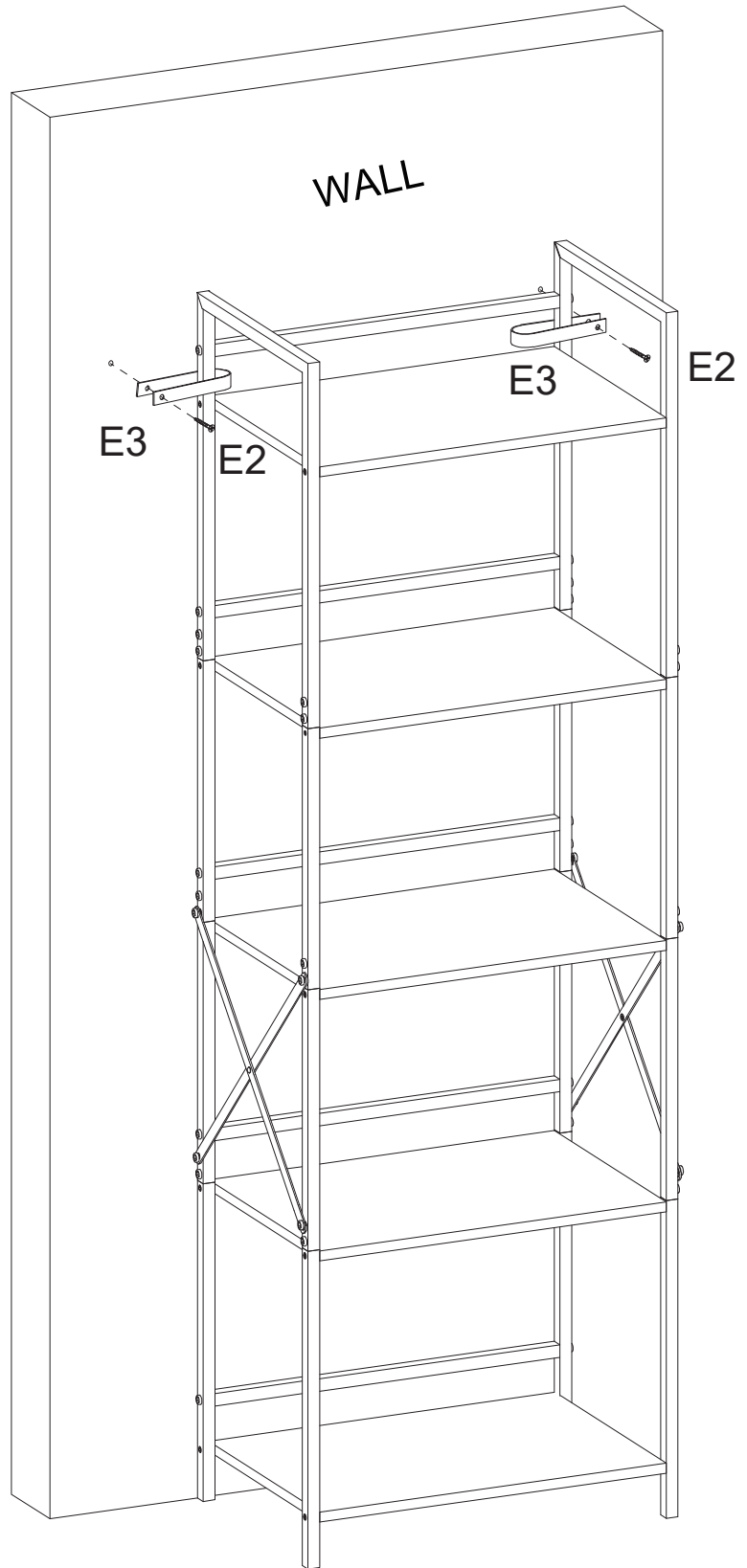
Step 1: mark the hole locations on the wall.






Step 2: drilling hole.



Step 3: drive **E1** into the wall.



	E1 x2PCS
	E2 x2PCS
	E3 x2PCS

Made in China

