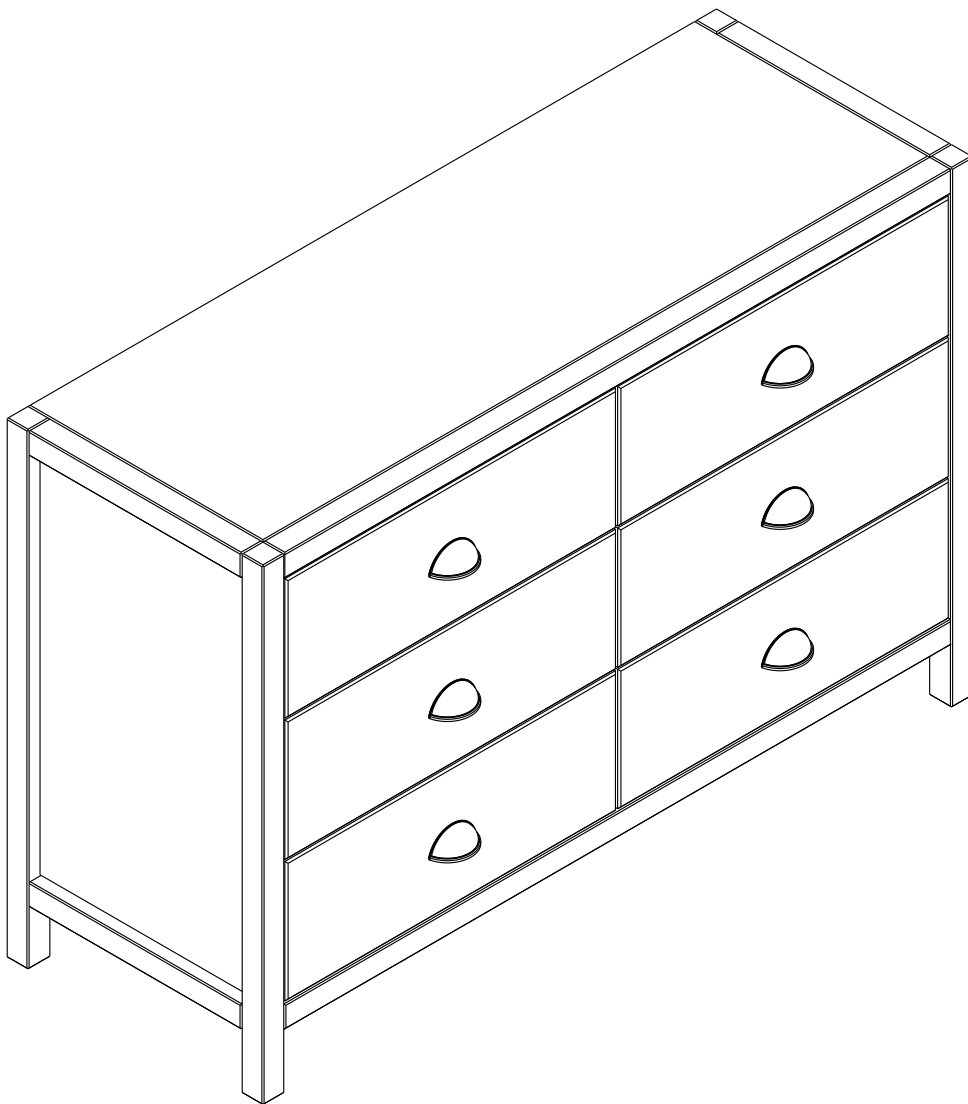

ASSEMBLY INSTRUCTIONS

DOUBLE DRESSER

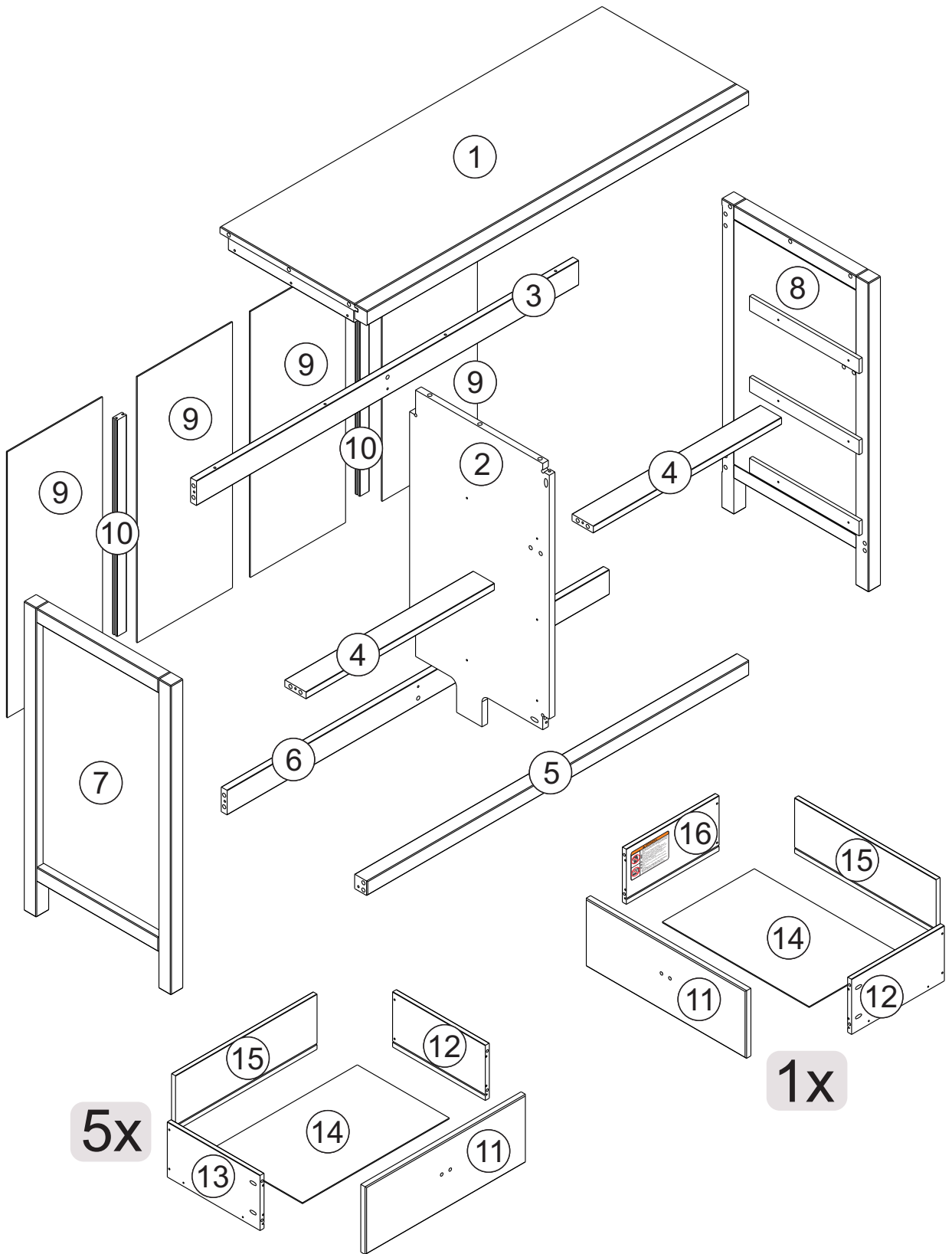


IMPORTANT NOTE:

- * Read and observe carefully all the assembly instructions before beginning assembly.
- * The assembly of the product must be done on a clean and flat surface. We suggest to use the packaging to cover the floor to avoid damages.
- * The screws must be tightened periodically.
- * Avoid contact with sharp objects.
- * Avoid banging pieces together.

PARTS INCLUDED

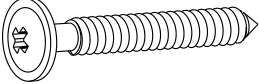



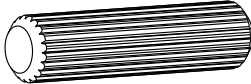
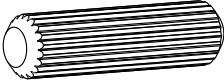
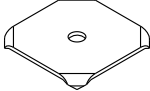
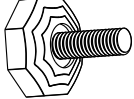
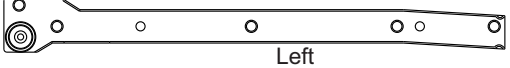
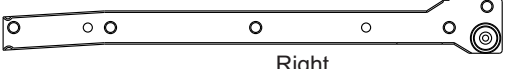


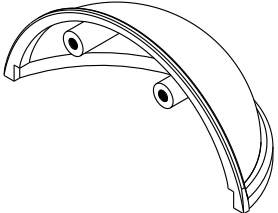

Please confirm all parts available before assembly.



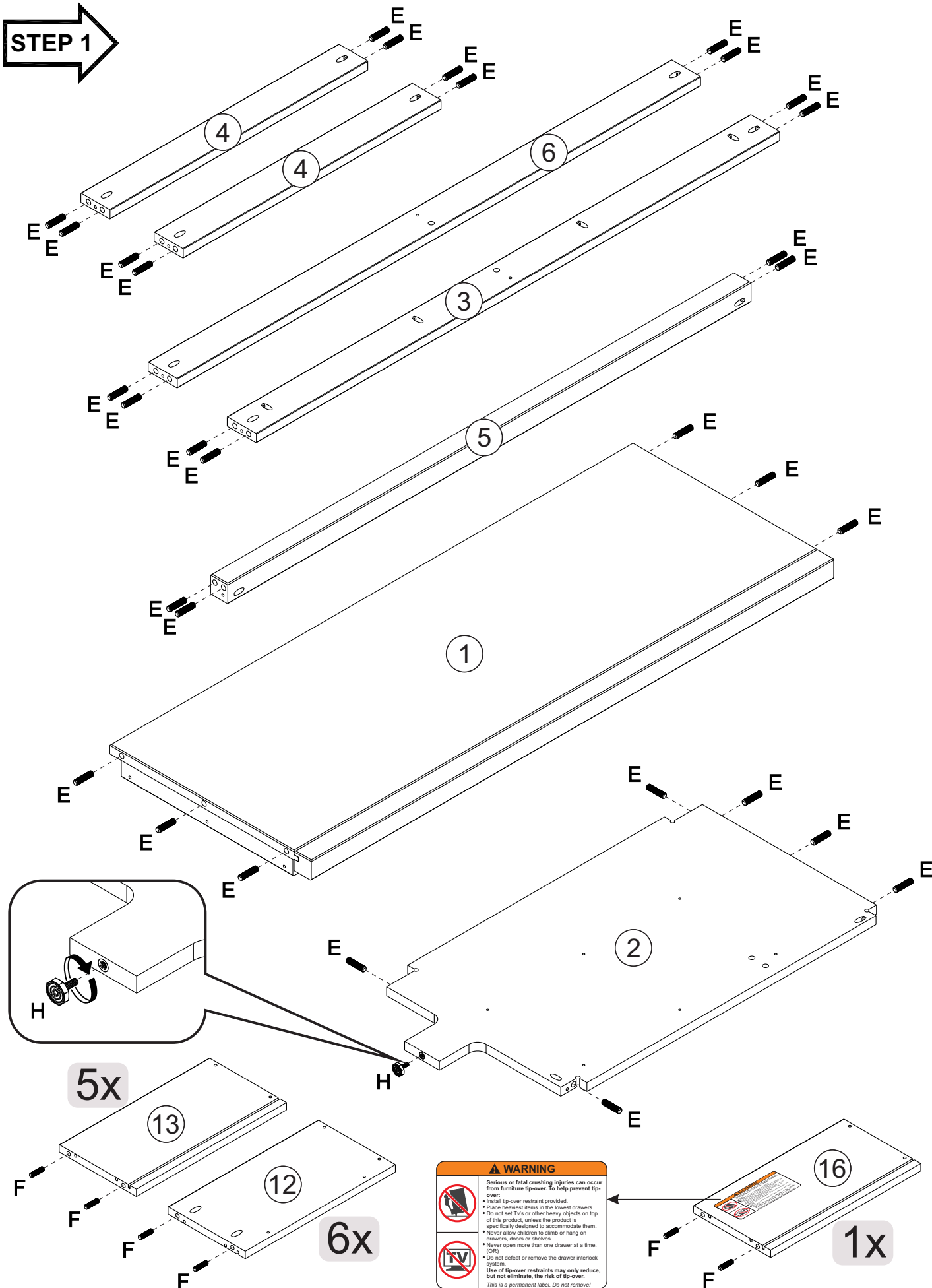
Tools (not included)				
<p>01:10 Min</p> <p>Approximately</p>	<p>02 Persons</p>	<p>Clean surface</p>	<p>Philips key</p>	<p>Hammer</p>

HARDWARE INCLUDED

Please confirm all hardware available before assembly.

Ref.		Qty.	Qty. SPARE
A	 Ø4,0 x 35 mm	75	+ 02
B	 M4 x 25 mm	12	
C	 Ø6 x 10 mm	48	+ 02
D	 Nail	48	+ 04
E	 Ø10 x 40 mm	32	+ 02
F	 Ø8 x 30 mm	24	+ 02
G		06	
H		01	
I	 330 mm Left	06	
J	 330 mm Right	06	
K	 330 mm Left	06	
L	 330 mm Right	06	
M	 Knob	06	
V	 Anti-tip kit	01	

STEP 1

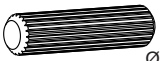




WARNING

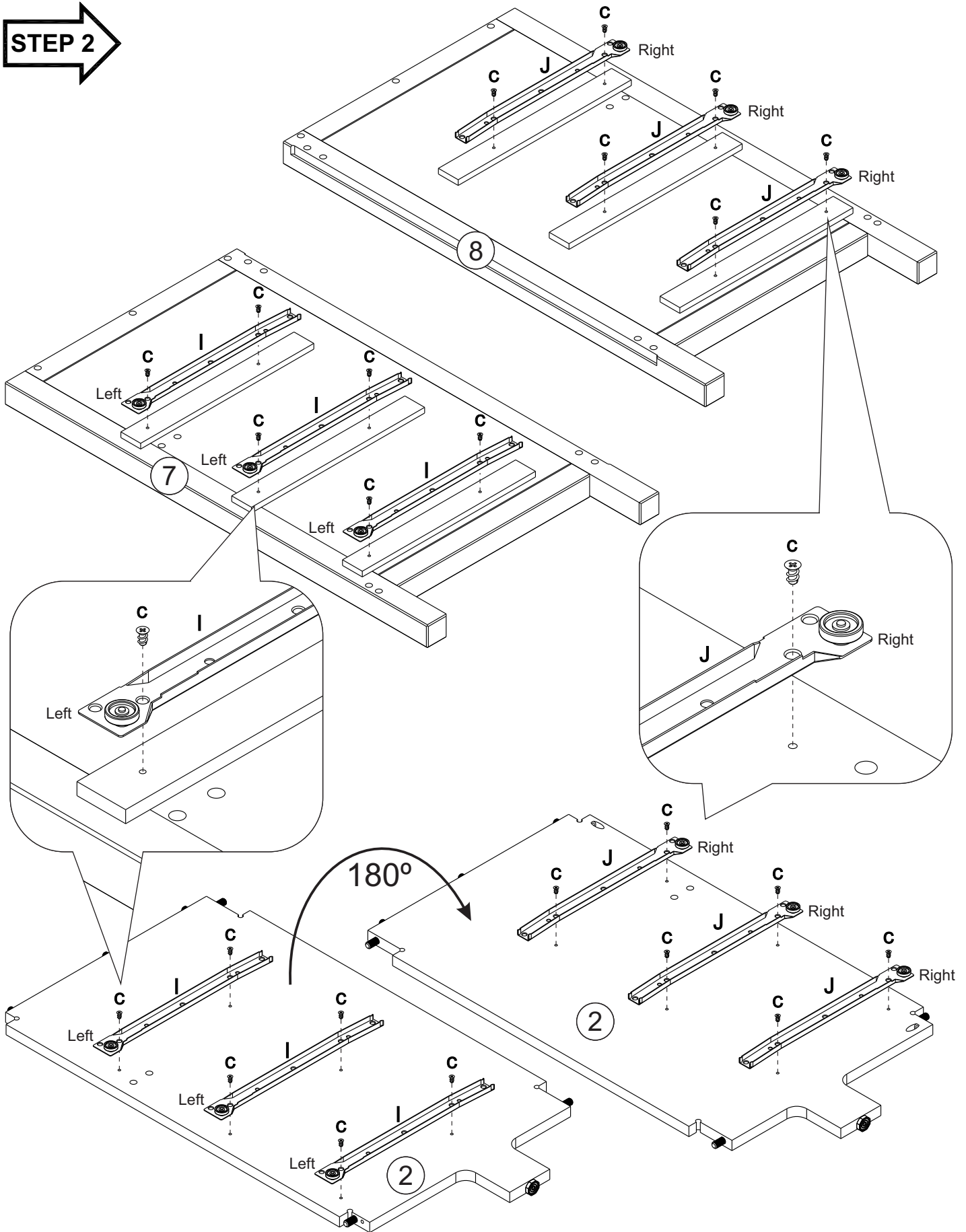
Serious or fatal crushing injuries can occur from furniture tip-over. To help prevent tip-over:


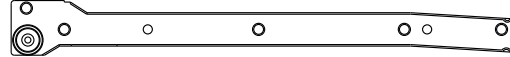
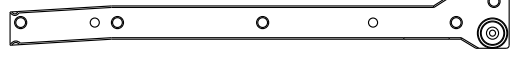
- Install tip-over restraint provided.
- Place heaviest items in the lowest drawers.
- Do not set TV's or other heavy objects on top of this product, unless the product is specifically designed to accommodate them.
- Never allow children to climb or hang on drawers, doors or shelves.
- Never open more than one drawer at a time. (CR)
- Do not defeat or remove the drawer interlock system.

Use of tip-over restraints may only reduce, but not eliminate, the risk of tip-over. This is a permanent label. Do not remove.

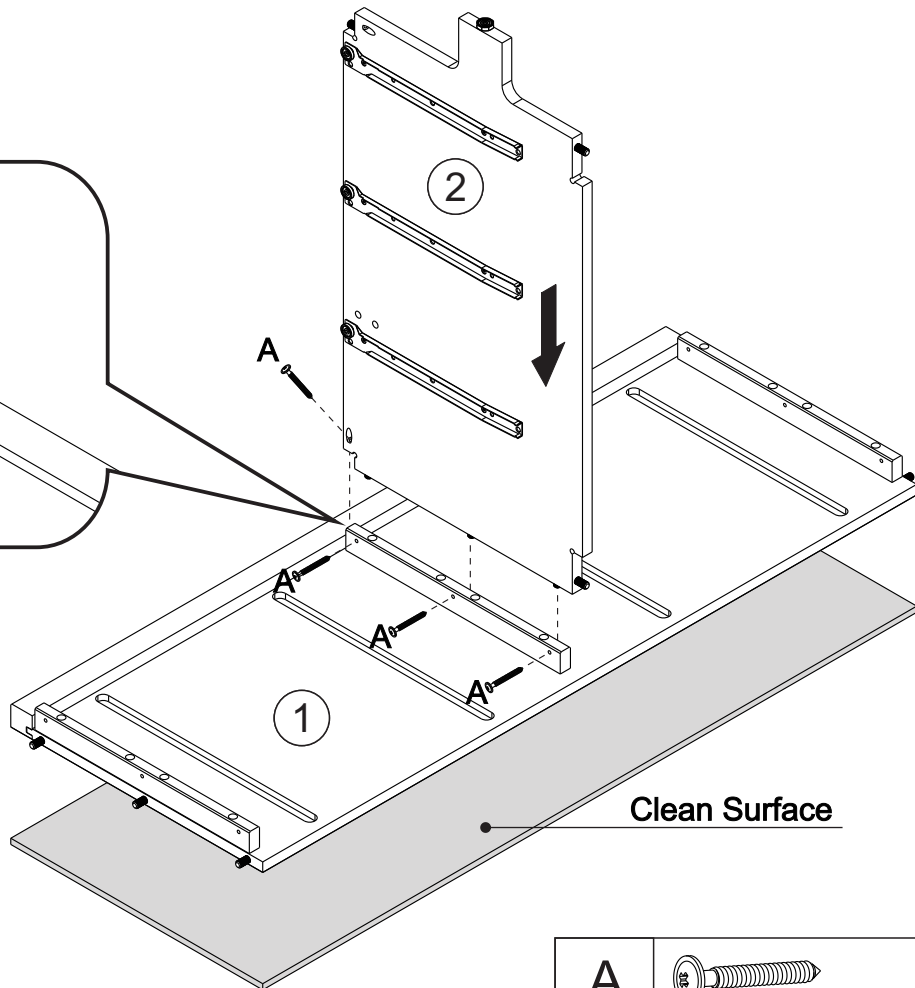
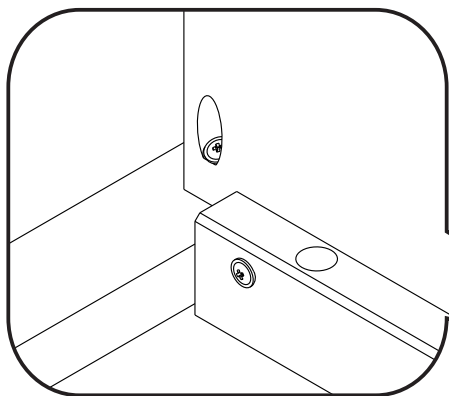
E		32	F		24	H		01
	Ø10 x 40 mm			Ø8 x 30 mm				

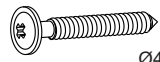
STEP 2



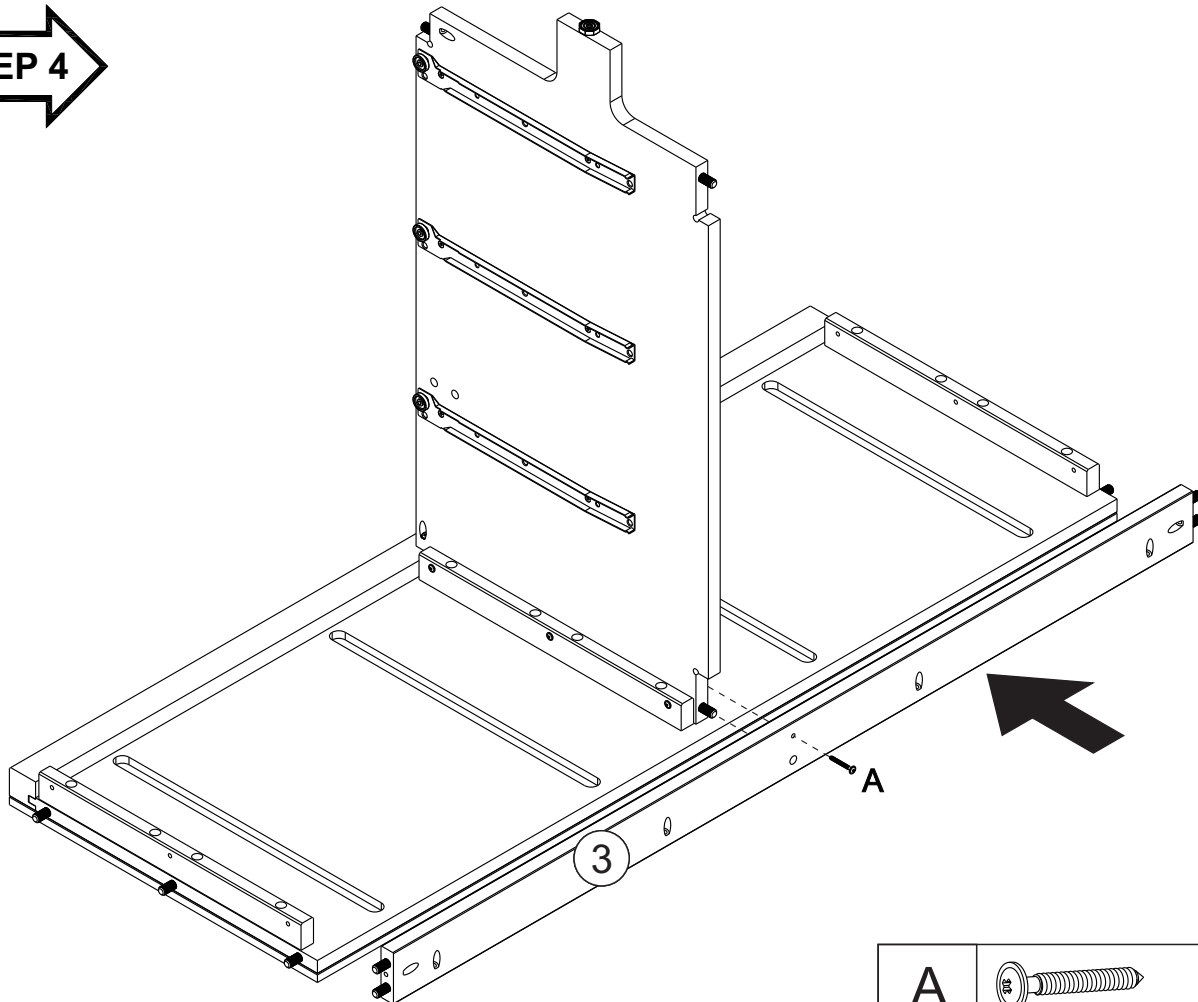
C	 Ø6 x 10 mm	24	I	 Left 330 mm	06
			J	 Right 330 mm	06

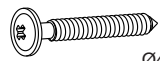
STEP 3



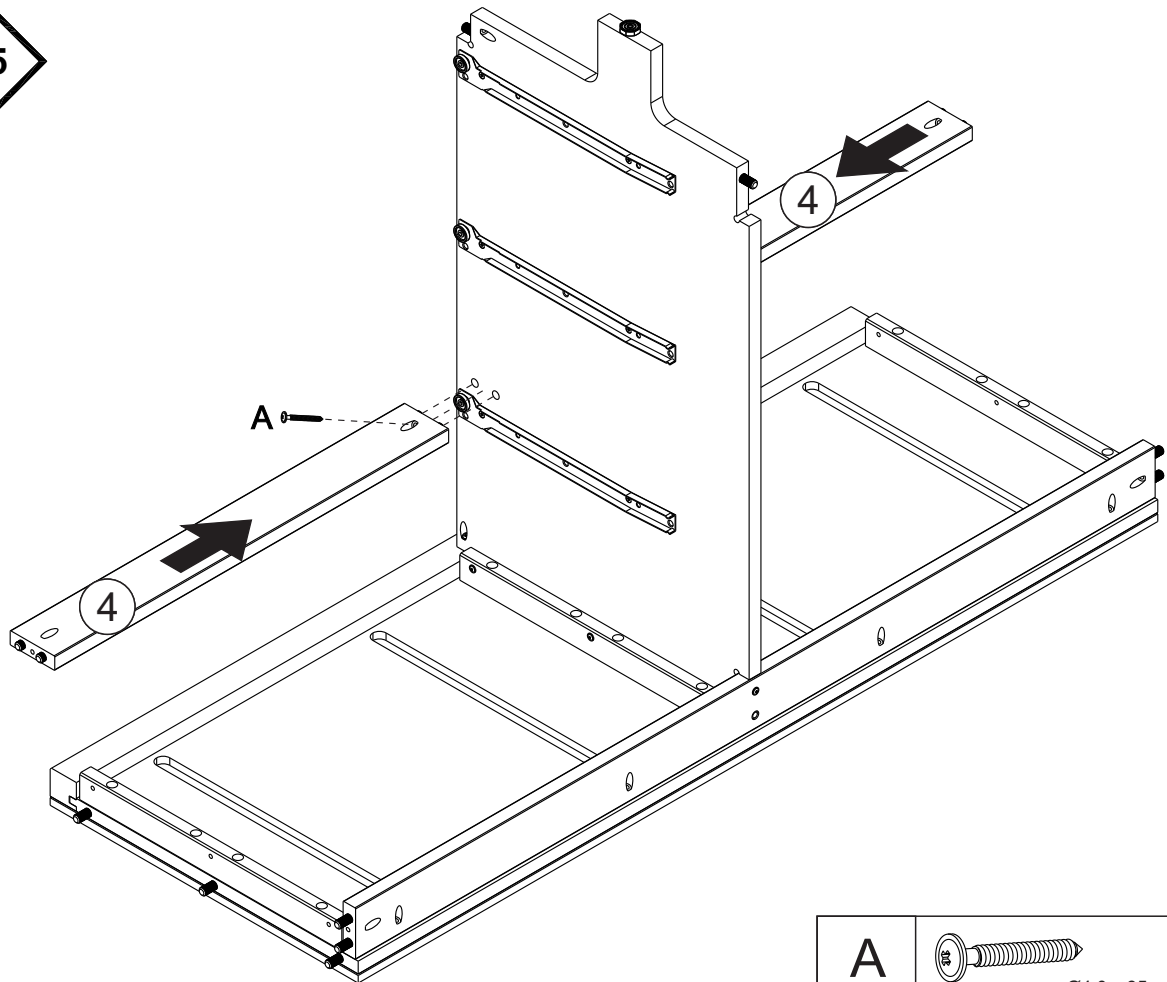
A	 Ø4,0 x 35 mm	04
---	---	----

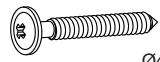
STEP 4



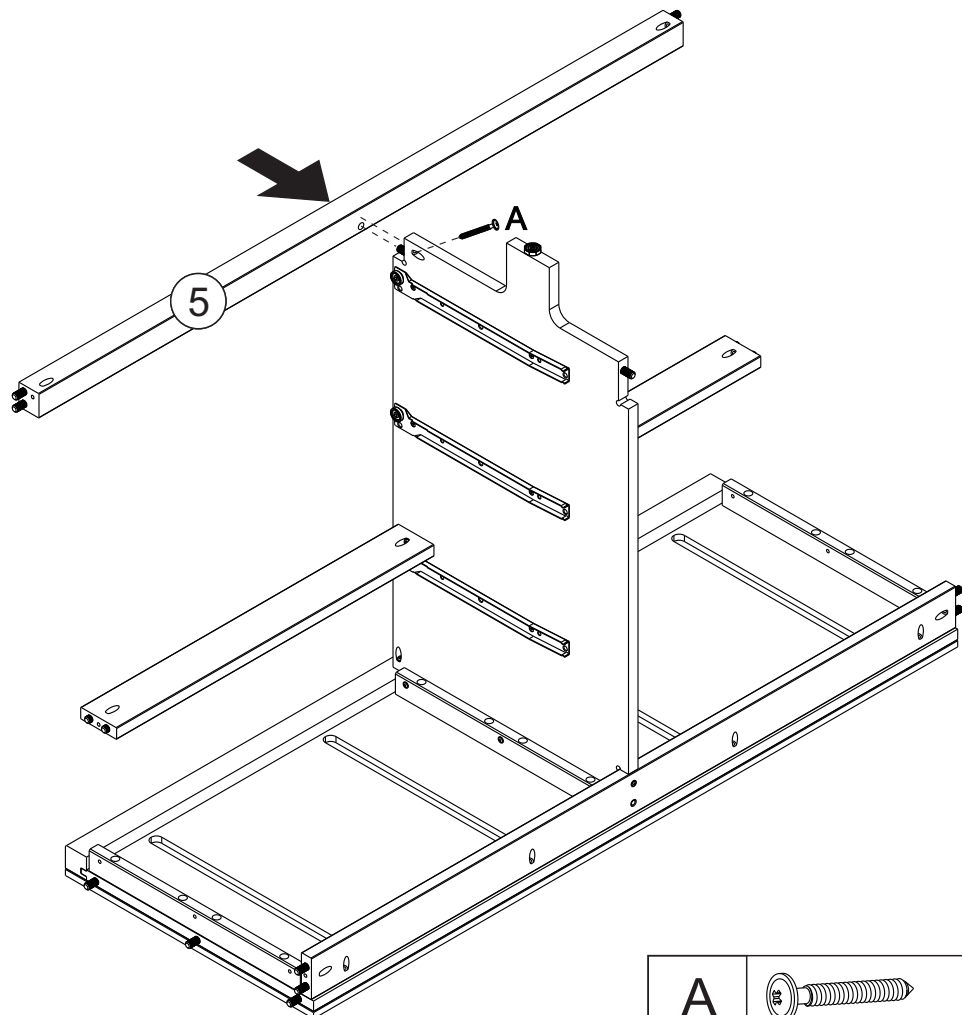
A	 Ø4,0 x 35 mm	01
---	---	----

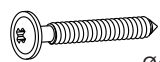
STEP 5



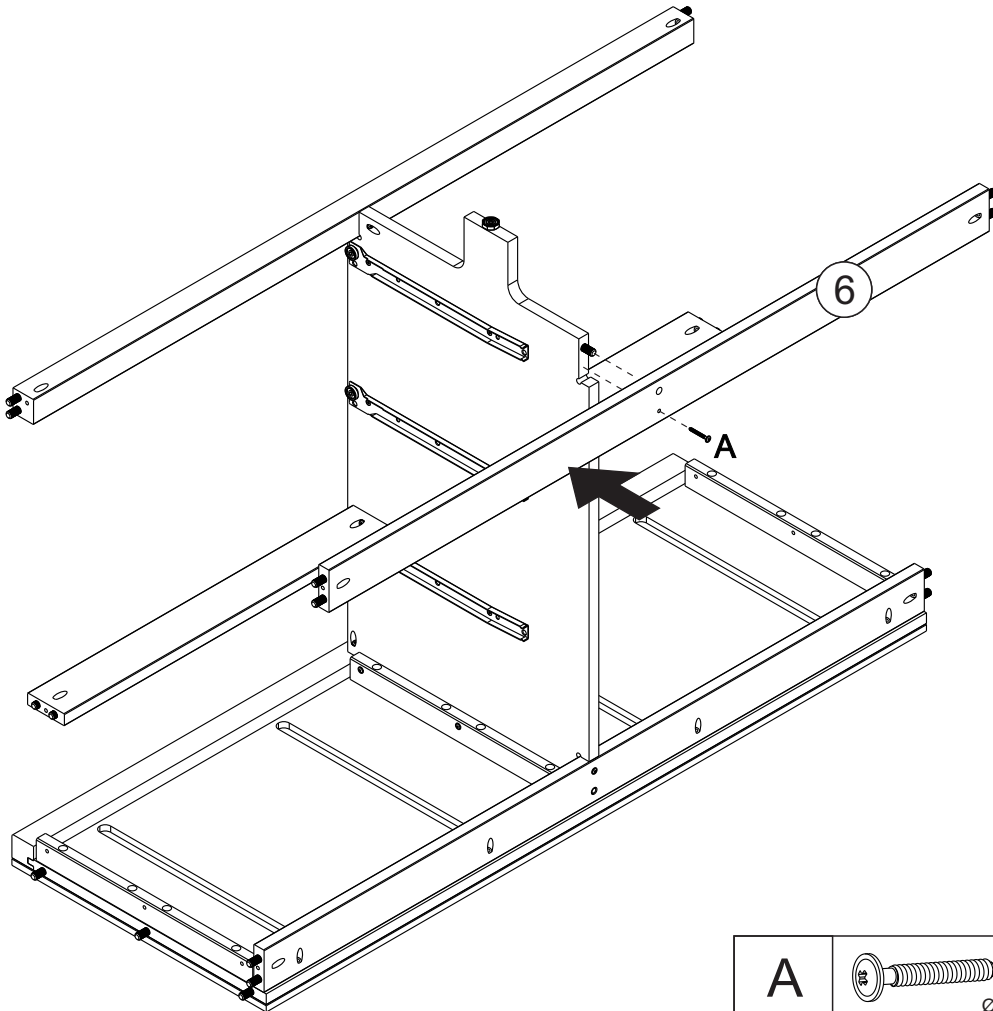
A	 Ø4,0 x 35 mm	02
---	---	----

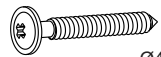
STEP 6



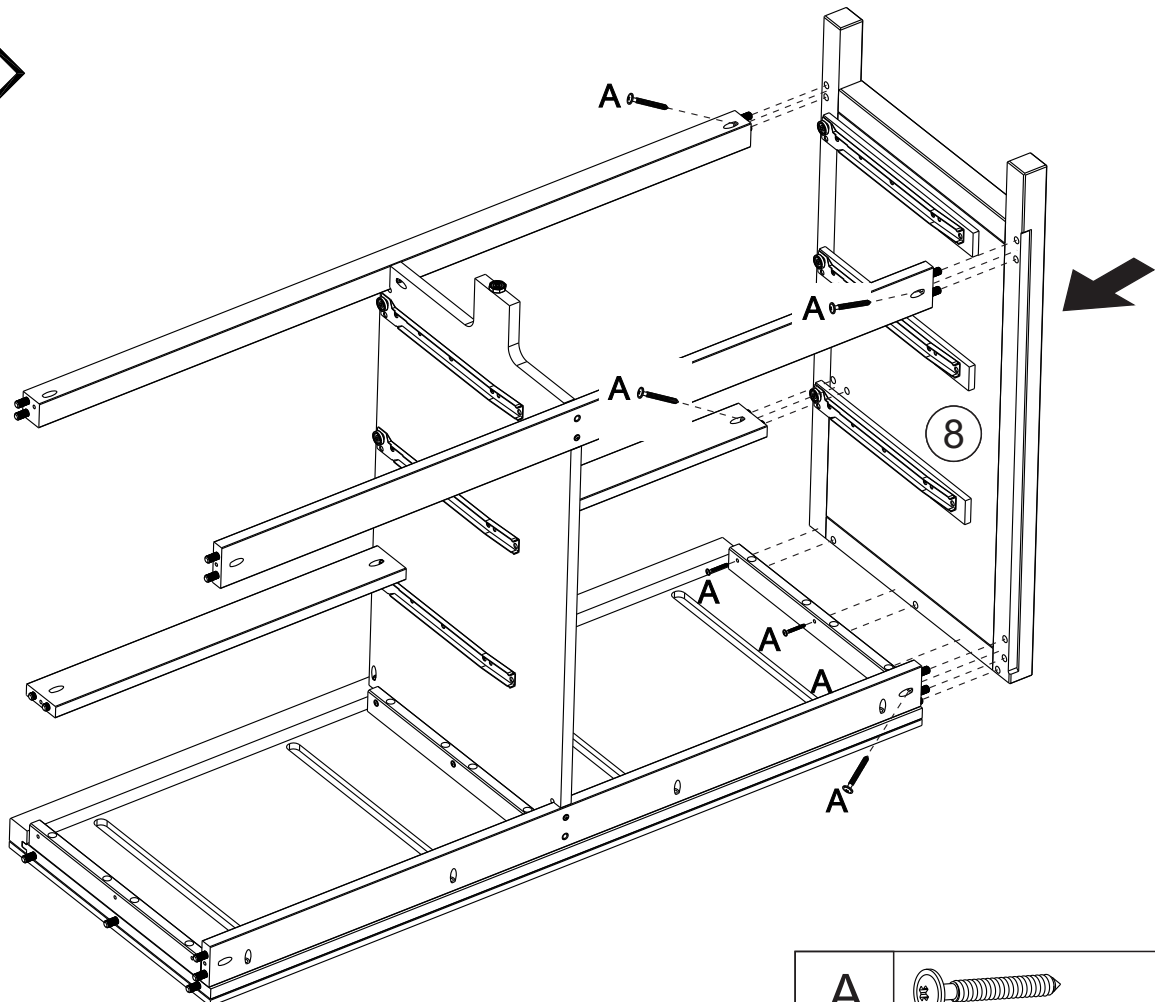
A	 Ø4,0 x 35 mm	01
---	---	----

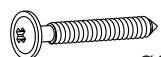
STEP 7



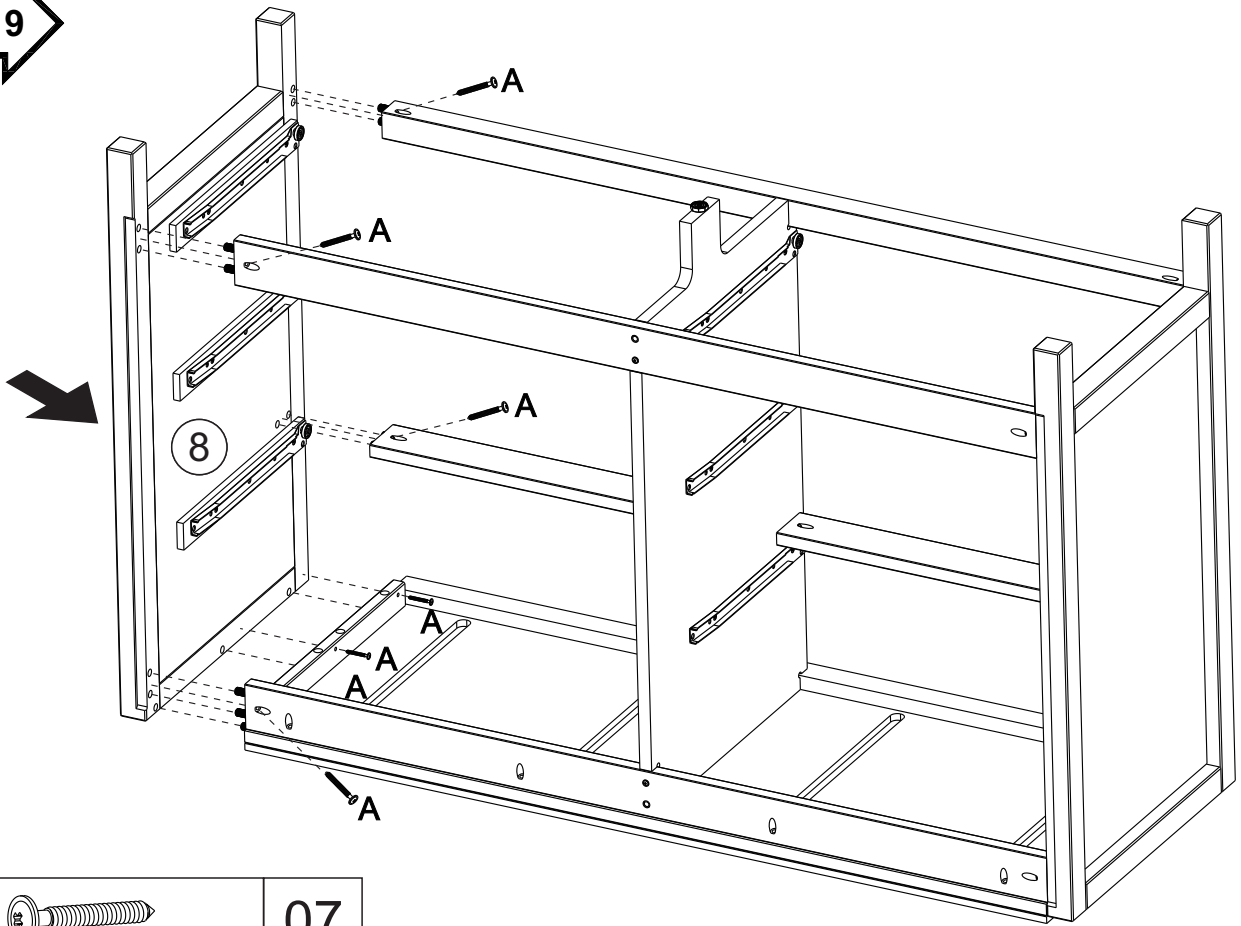
A	 Ø4,0 x 35 mm	01
---	---	----

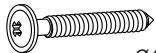
STEP 8



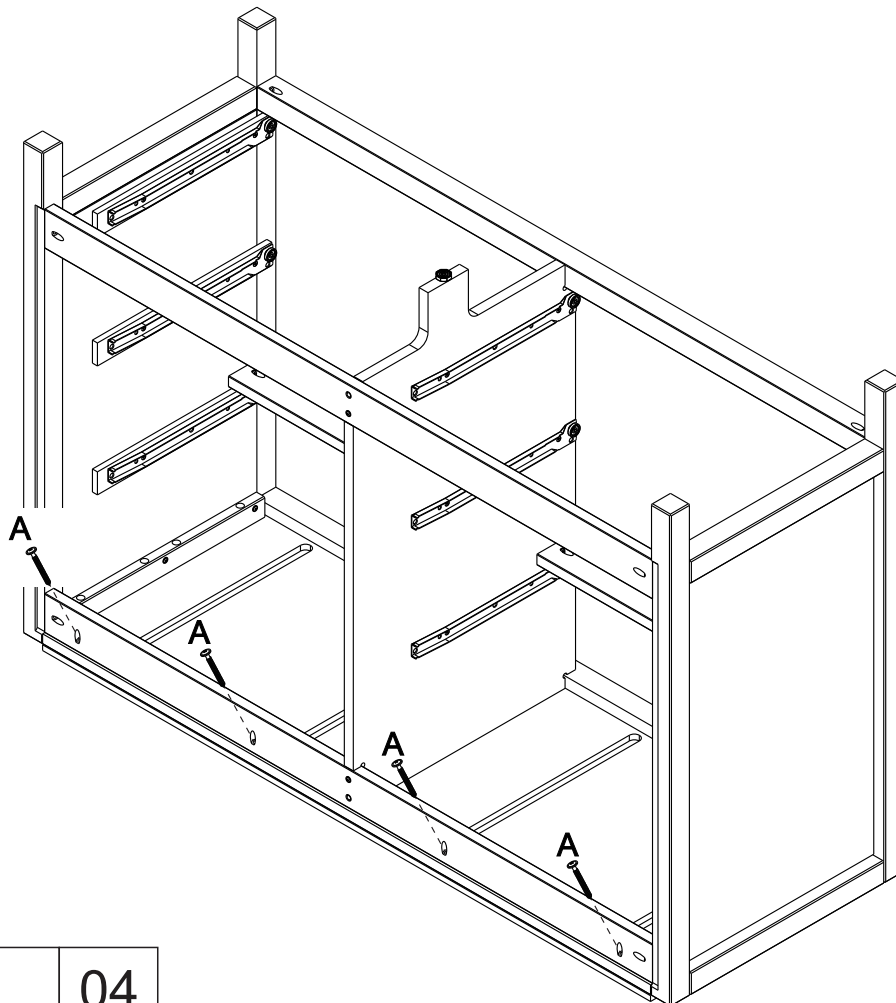
A	 Ø4,0 x 35 mm	07
---	---	----

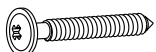
STEP 9



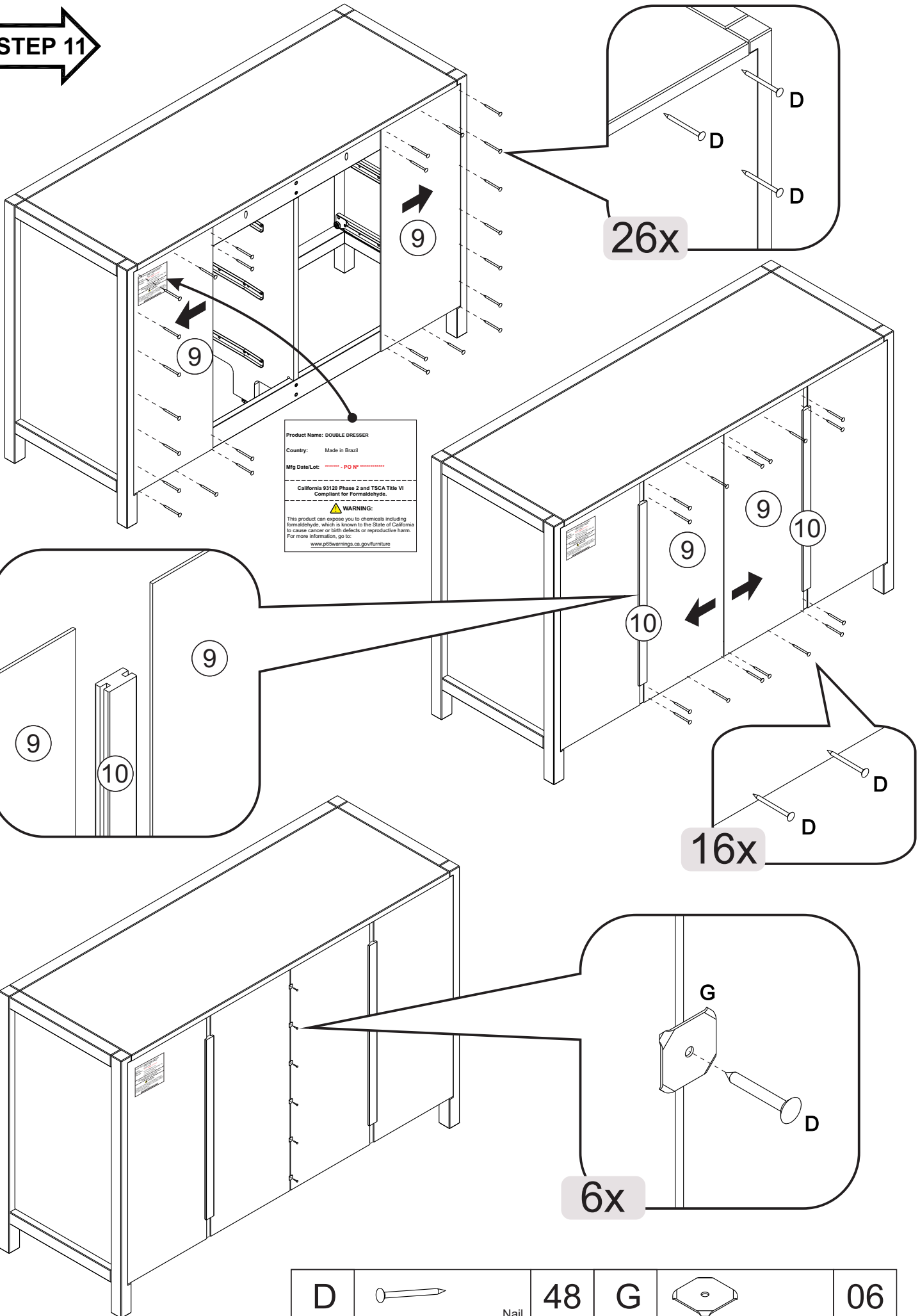
A	 Ø4,0 x 35 mm	07
---	---	----

STEP 10





A	 Ø4,0 x 35 mm	04
---	---	----

STEP 11

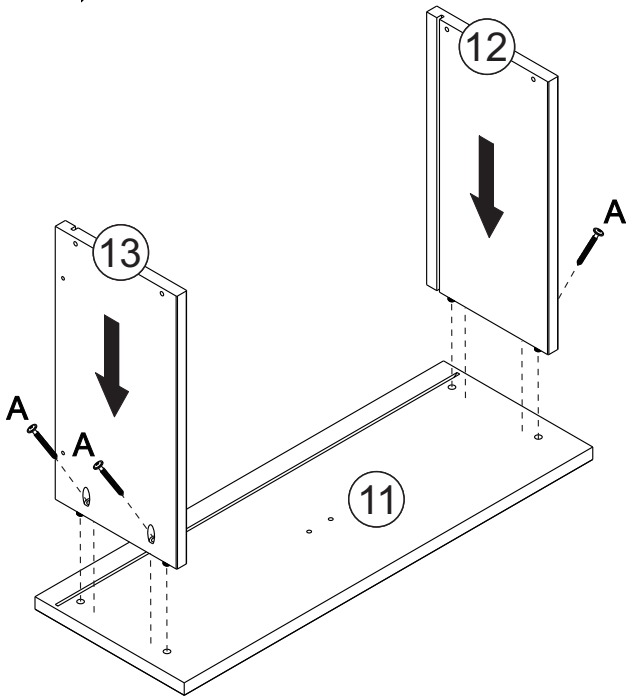


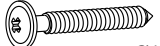
Product Name: DOUBLE DRESSER
 Country: Made in Brazil
 Mfg Date/Lot: ***** - PG N° *****
 California 93120 Phase 2 and TSCA Title VI
 Compliant for Formaldehyde.
WARNING:
 This product can expose you to chemicals including formaldehyde, which is known to the State of California to cause cancer or birth defects or reproductive harm. For more information, go to www.p66warnings.ca.gov/furniture

D		48	G		06
---	---	----	---	---	----

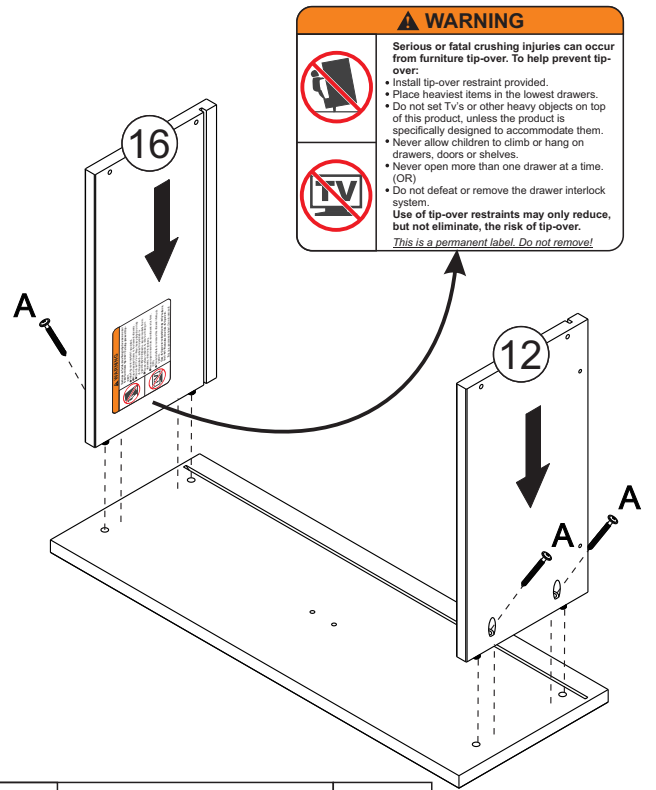
Nail

STEP 12 5x



A		20
---	---	----

STEP 13 1x

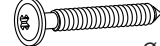


WARNING

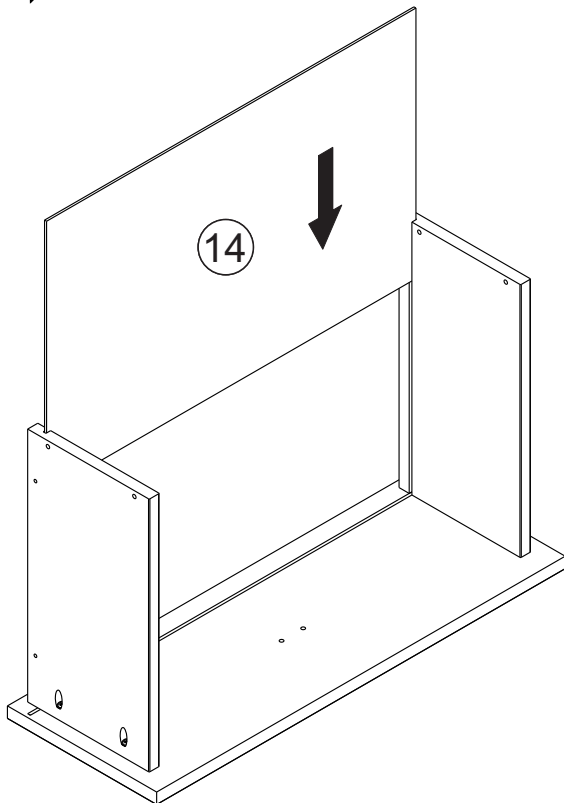
Serious or fatal crushing injuries can occur from furniture tip-over. To help prevent tip-over:

- Install tip-over restraint provided.
- Place heaviest items in the lowest drawers.
- Do not set TV's or other heavy objects on top of this product, unless the product is specifically designed to accommodate them.
- Never allow children to climb or hang on drawers, doors or shelves.
- Never open more than one drawer at a time. (OR)
- Do not defeat or remove the drawer interlock system.

Use of tip-over restraints may only reduce, but not eliminate, the risk of tip-over. *This is a permanent label. Do not remove!*

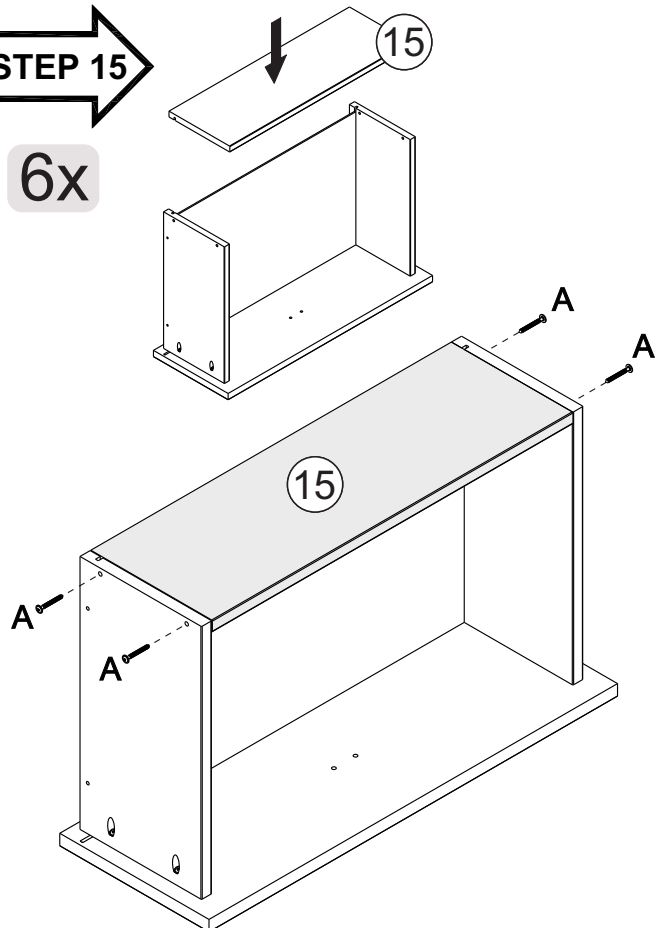
A		04
---	--	----


STEP 14 6x

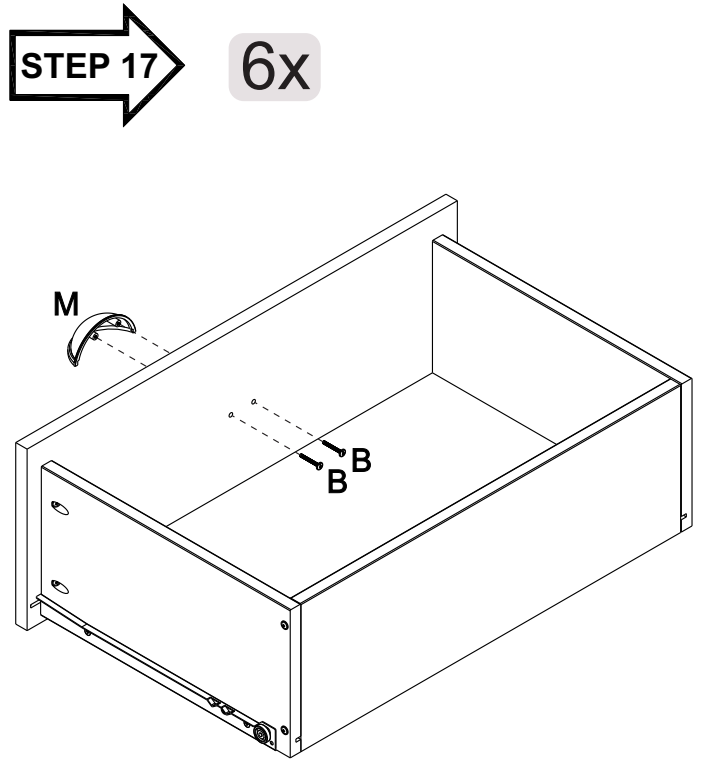
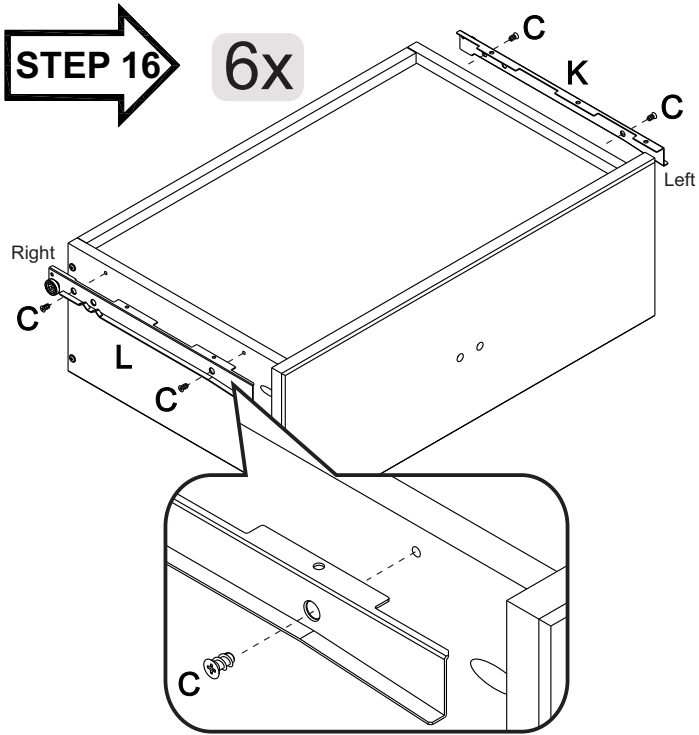





STEP 15



6x

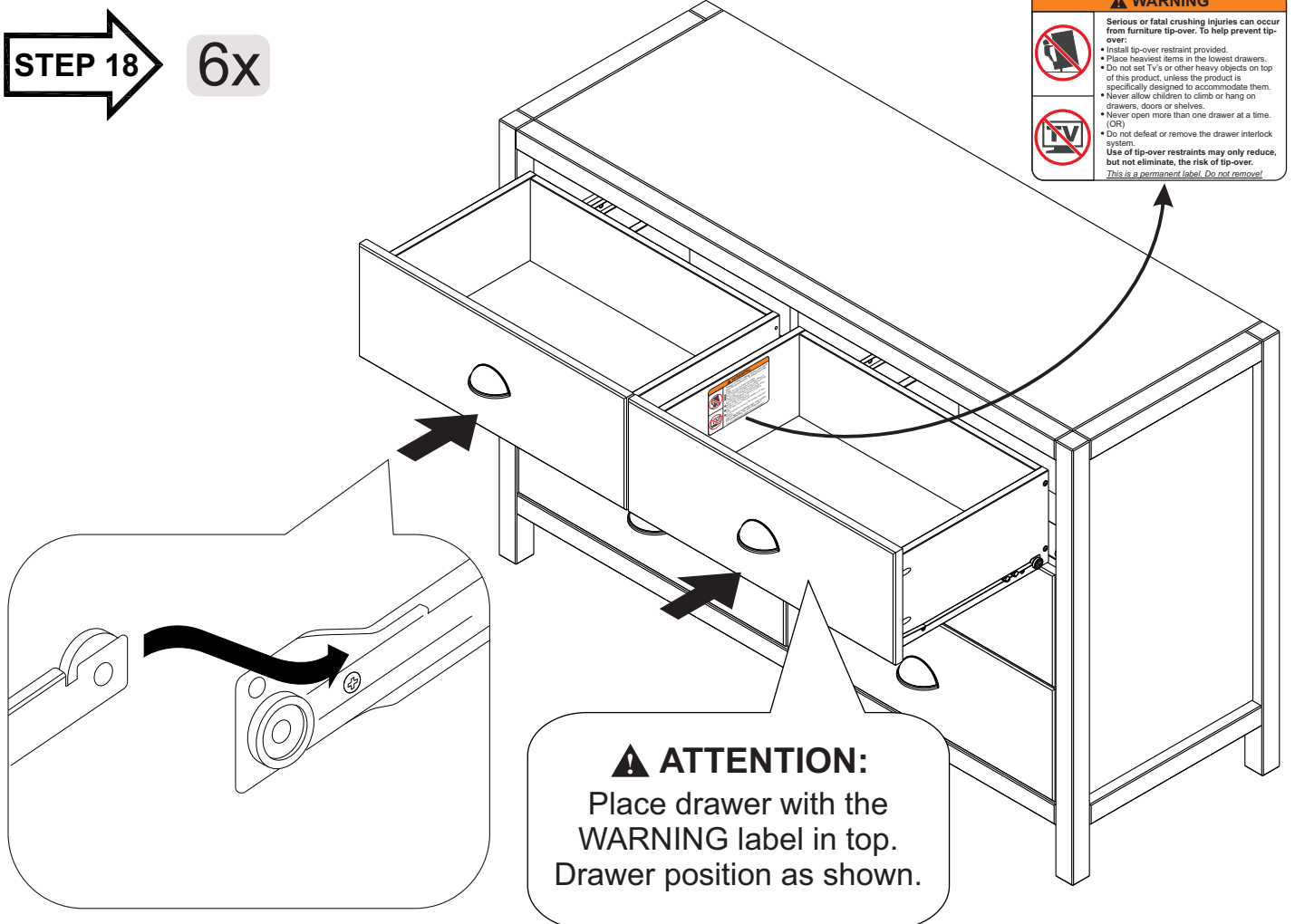


A		24
---	---	----



C		Ø6 x 10 mm	24
K		Left 330 mm	06
L		Right 330 mm	06

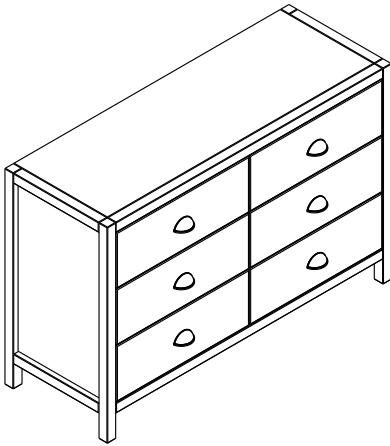
B		M4 x 25 mm	12
M		Knob	06



ANCHOR IT AND PROTECT A CHILD

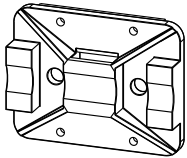
Use of anti-tip kit is required.

Use of a tip-kit only reduce, not eliminate, tip-over.

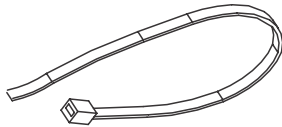


- * Place heaviest items in the lowest drawers.
- * Unless specifically designed to accommodate, do not set TVs or other heavy objects on top of the product.
- * Never allow children to climb or hang on drawers, doors or shelves.
- * Never open more than one drawer at a time.
- * Do not defeat or remove the drawer interlock system.
- * Use of tip-over restraints may only reduce, but not eliminate, the risk of tip-over.

(V) - HARDWARE OF WALL ANCHOR INCLUDED



W - Plastic wall bracket
Qty. 02



X - Nylon strap
Qty. 01



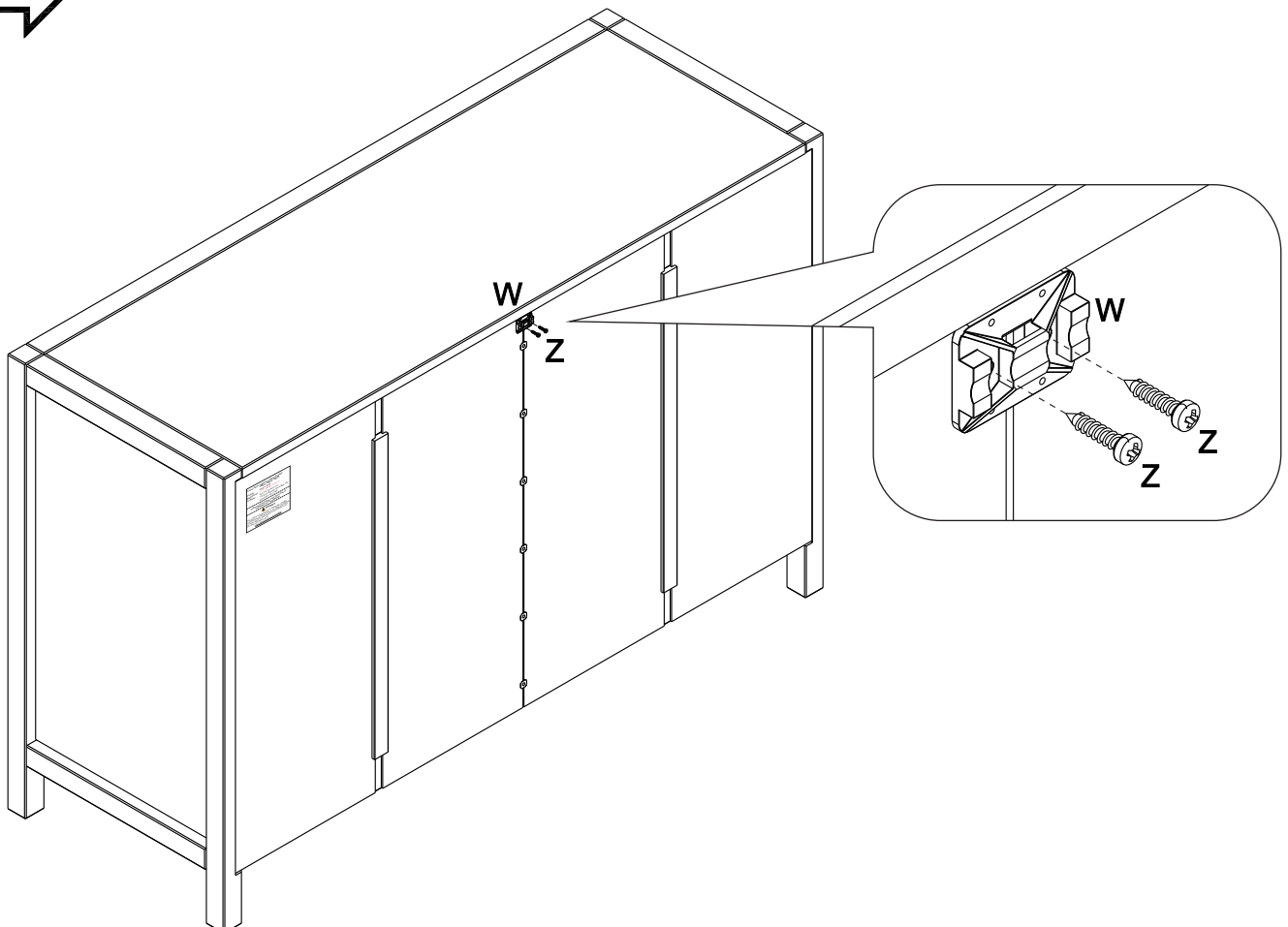
Y - Ø3,0 x 30 Screw
Qty. 02



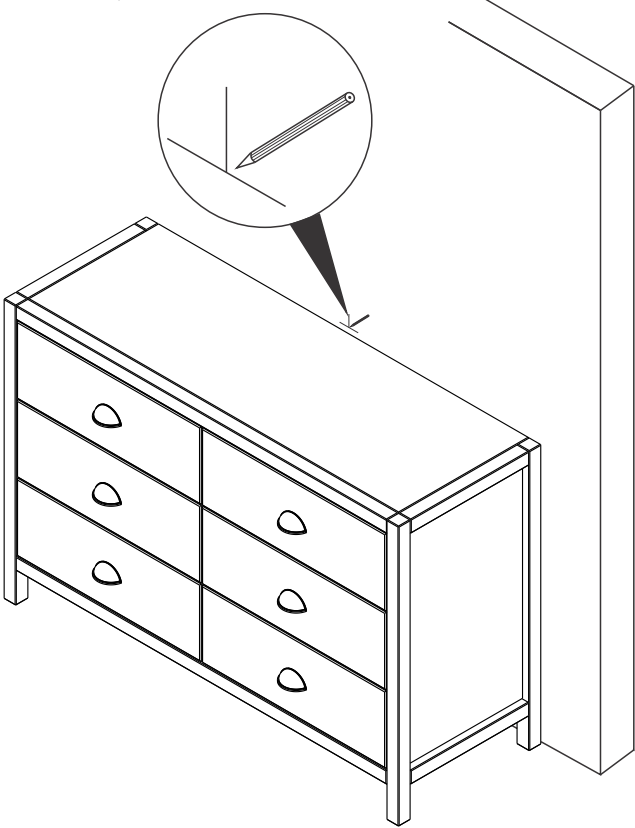
Z - Ø3,5 x 16 Screw
Qty. 02



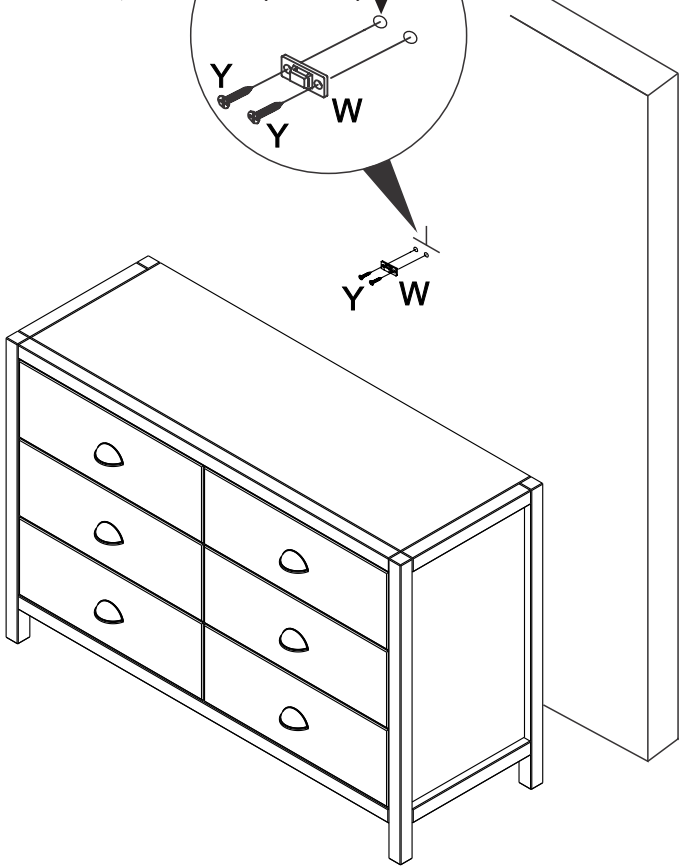
Install anti-tip kit directly into wall stud or use included drywall anchor.



STEP 2A



STEP 3A



STEP 4A

Tug on the hardware to ensure that the furniture is attached securely to the wall.

