

BOT

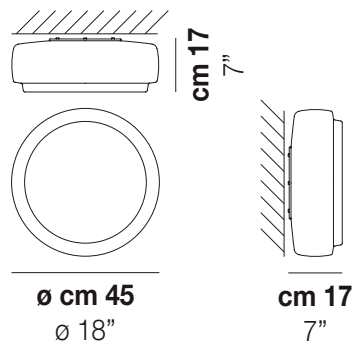
Design Gregorio Spini

BOT PL 45

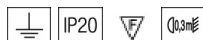


A collection that represents the idea of a volume in motion that generates a new one. The concept is also a reminiscence of the process of glass blowing in which the incandescent glass contains the light before it even has a definitive shape.

BOT PL 45



TECHNICAL DATA:



CERTIFICATIONS:



LIGHT SOURCES

LED	Power	Voltage	Beam Angle	Dimming
LED 2700K DIM2	2x60W	120V/60HZ	E26	Phase Cut
LED 2700K DIM3	1x19 W	39 V	2850 lm	0-10V, Push
LED 3000K DIM2	1x19 W	39 V	2850 lm	Phase Cut
LED 3000K DIM3	1x19 W	39 V	2850 lm	0-10V, Push

VOLUME	Mc 0,11
GROSS WEIGHT	Kg 13
NET WEIGHT	Kg 10,5

[download](#)



SHADE FINISHING



BCCR

FRAME FINISHING



BC