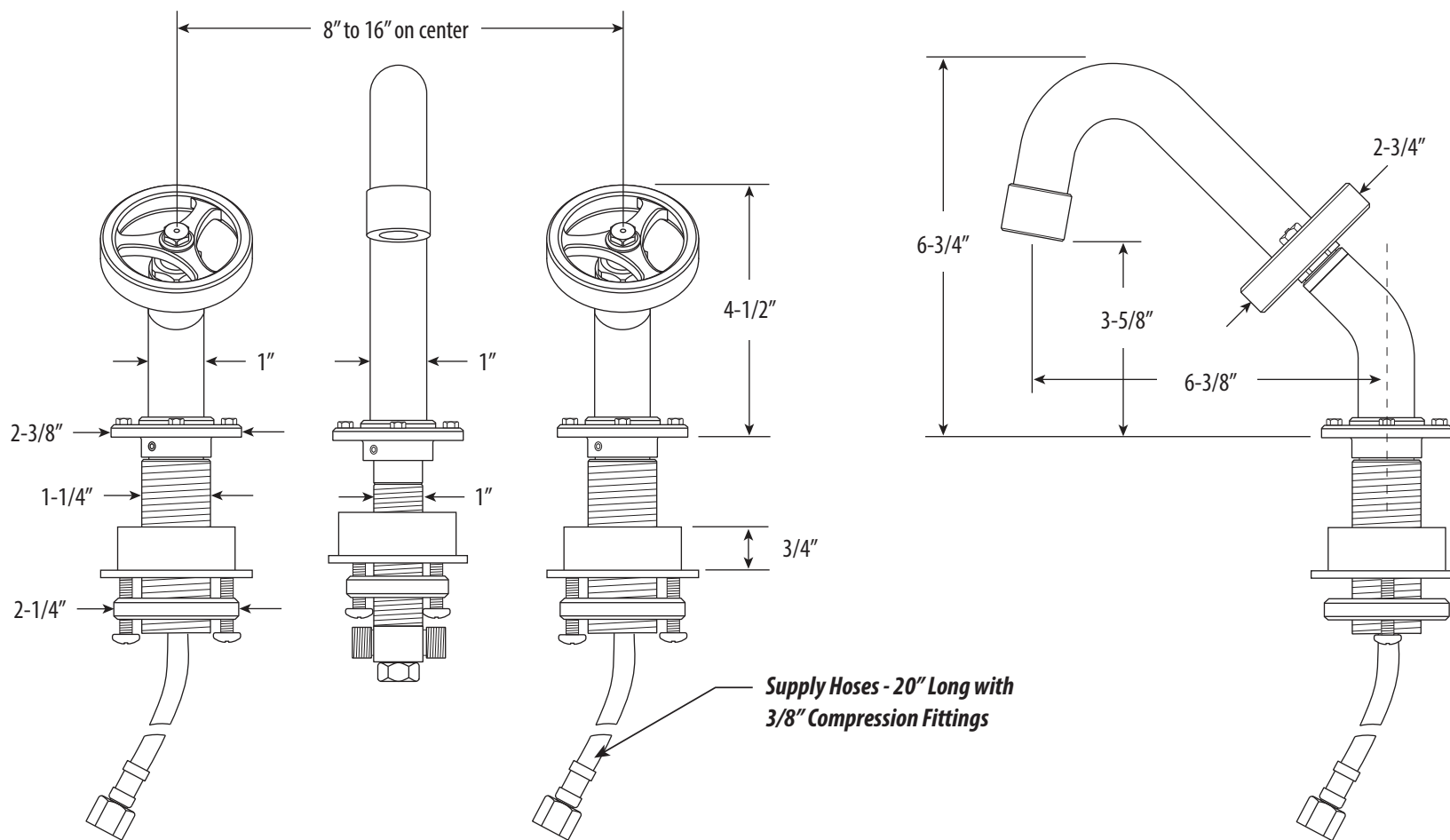


# ARGONAUT

AG210-1

## WIDESPREAD LAVATORY FAUCET / ANGLED HUBS - ROUND HANDLES

- MAX COUNTER OR SINK THICKNESS 2-3/8"
- MINIMUM INSTALL HOLE SIZE 1-1/2"



\*DIMENSIONS MAY VARY AND ARE SUBJECT TO CHANGE. NO RESPONSIBILITY IS ASSUMED FOR USE OF SUPERCEDED OR VOIDED DATA

41180 Raintree Court • Murrieta, CA 92562 • 1-888-304-0660 • Fax 951-304-0525 • www.aspectfaucets.com

