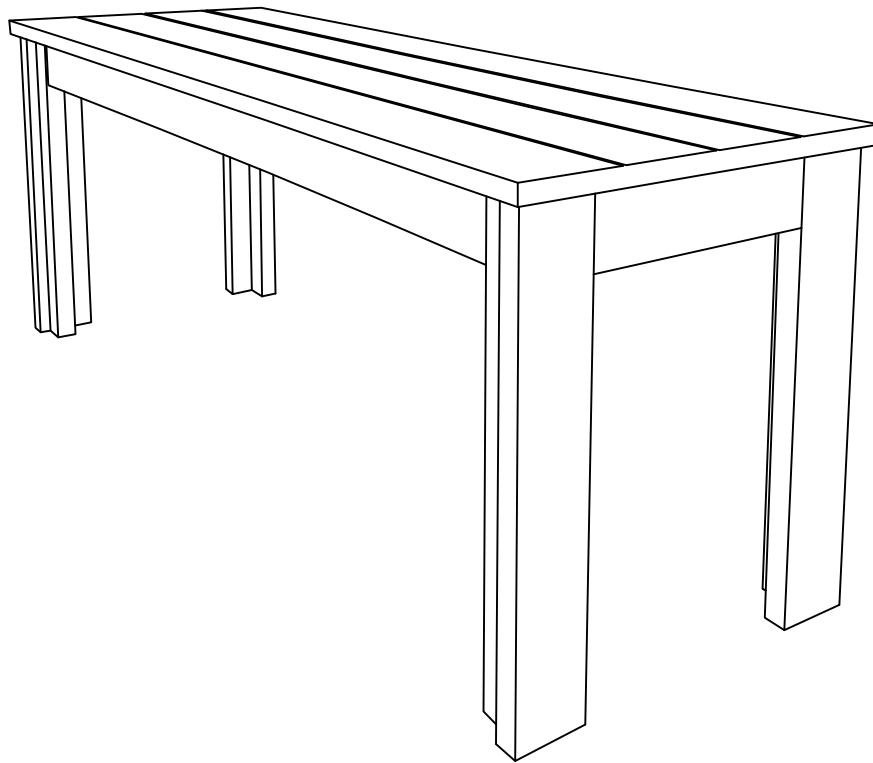


ASSEMBLY INSTRUCTION

DINING BENCH



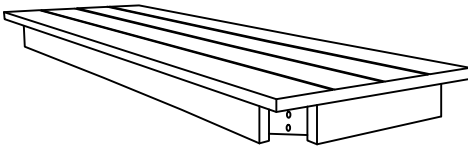
N715P171633

IMPORTANT NOTE:

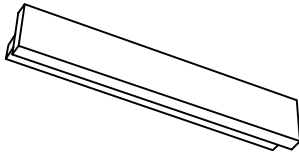
- PLACE ALL PARTS ON A CLEAN AND SMOOTH SURFACE SUCH AS A RUG OR CARPET TO AVOID THE PARTS FROM BEING SCRATCHED.
- BEFORE YOU BEGIN, KINDLY FOLLOW THE ASSEMBLY INSTRUCTIONS STEP BY STEP.
- DON NOT TIGHTEN ALL SCREWS AND BOLTS UNTIL THE TABLE SET IS FULLY SET-UP.

CARTON CONTENT

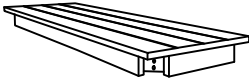




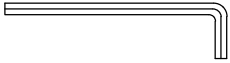
N715P171633:



A x 1

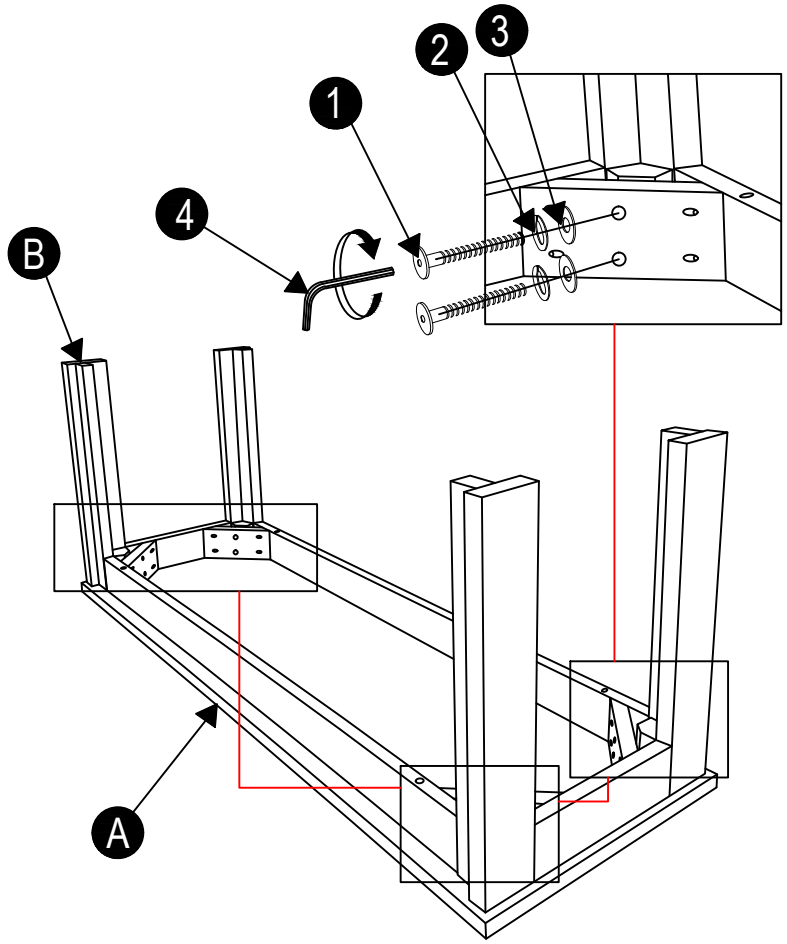


B x 4


CHAIR PART LIST FOR ONE				CHAIR HARDWARE LIST FOR ONE			
NO	DESCRIPTION	SKETCH	QTY	NO	DESCRIPTION	SKETCH	QTY
A	CHAIR TOP WITH APRON FRAME		1 PC	1	JCBC SCREW M6 x 50 MM		8 PCS
B	CHAIR LEG		4 PCS	2	SPRING WASHER M6		8 PCS
				3	FLAT WASHER M6 x 19 MM		8 PCS
				4	ALLEN KEY M4		1 PC

STEP 1

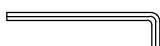
100% 




1 X 8pcs


2 X 8pcs


3 X 8pcs


4 X 1pc

ASSEMBLY COMPLETE !

