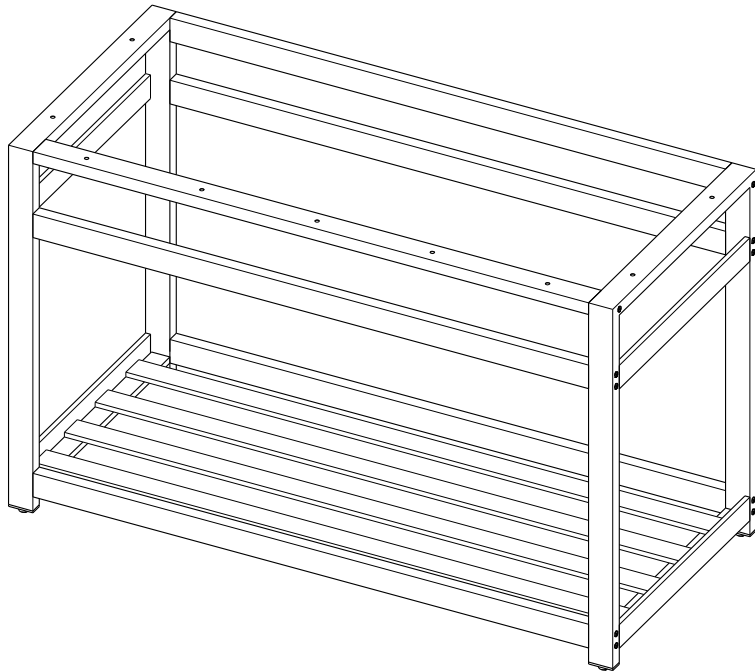


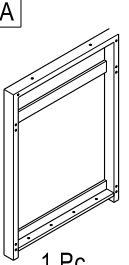
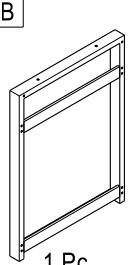
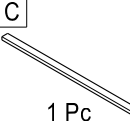
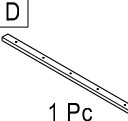
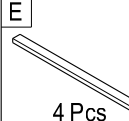
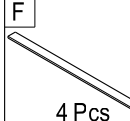
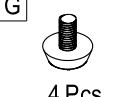
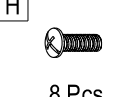

KINGSTON BRASS

THE TRADITION OF FINE BRASS

Iron Bathroom Console Sink Base Installation

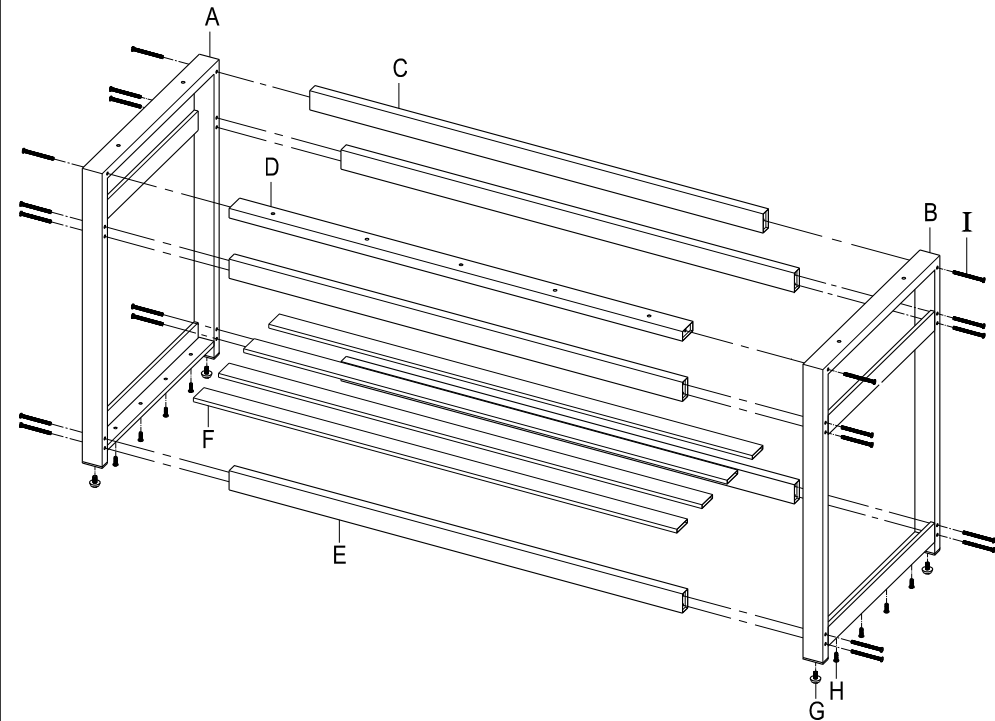


Parts:

Shape		Straight Tube			
					
1 Pc	1 Pc	1 Pc	1 Pc	4 Pcs	4 Pcs
		Screw		Bolt	
					
		4 Pcs	8 Pcs	20 Pcs	

www.kingstonbrass.com
 TOLL-FREE CUSTOMER SERVICE: 1-877-2-KBRASS
 TECHNICAL SUPPORT E-mail: service@kingstonbrass.com
 12775 Reservoir Street, Chino, CA91710

TOOLS REQUIRED



Installation Steps:

- Step 1. Thread adjustable leg screws "G" to the bottom of parts A & B.
- Step 2. Locate part C and join parts A & B by attaching part "C" to the top rear of the support assembly using the attached Allen bolts "I".
- Step 3. Locate part "D" and attach to the top front of the assembly, holes should be on the top surface of the support beam.
- Step 4. Vertically attach support beams "E" to the front and rear of the support structure.
- Step 5. Place Bottom rack slats "F" on the bottom support beams on Parts "A" & "B" and secure using enclosed Phillips screws "H".
- Step 6. Level entire structure by adjusting leg screws "G" as necessary.

Cleaning

Clean with a damp cloth only.
 Avoid using metal or abrasive polishes.