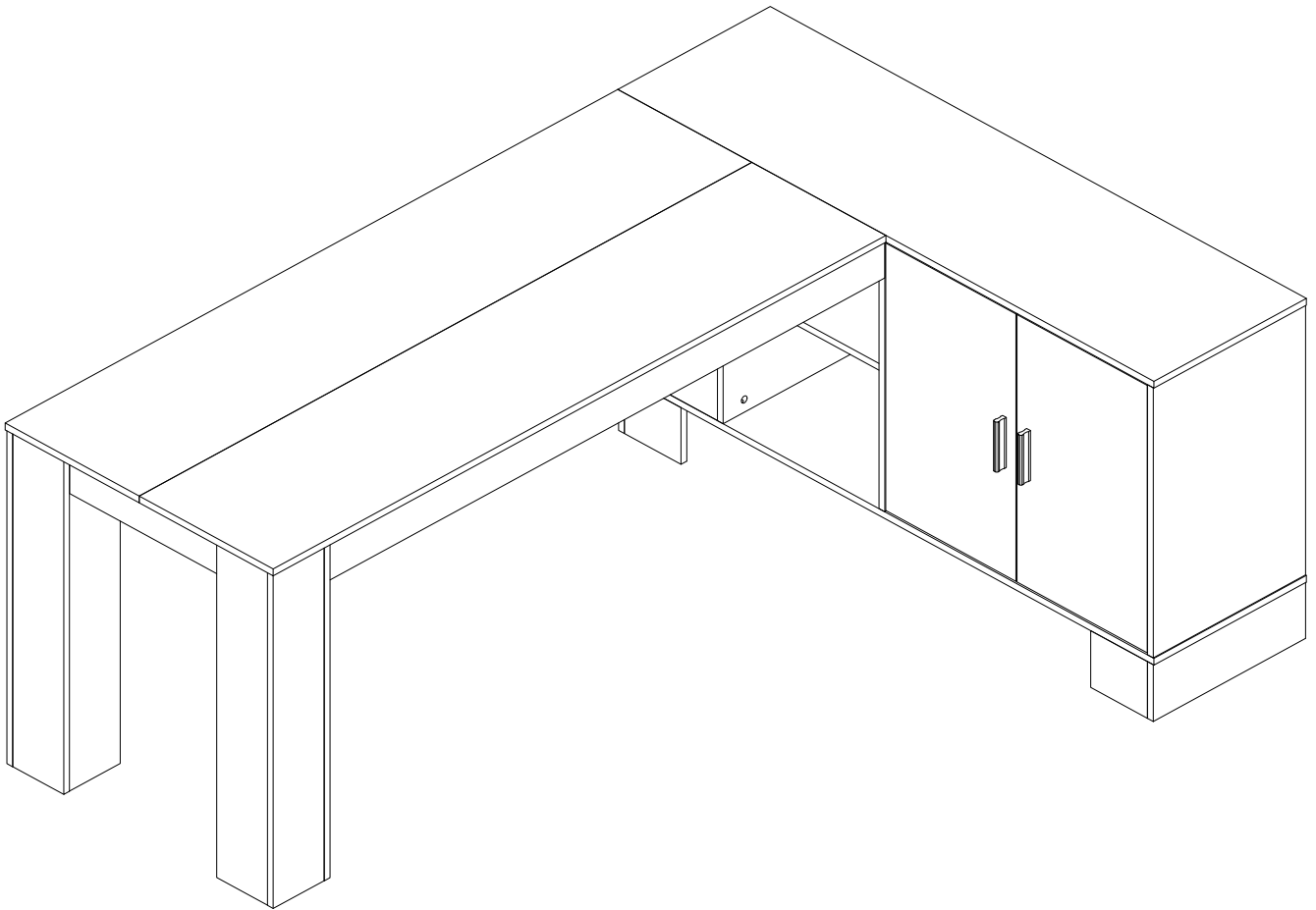


# Assembly Instructions

## Executive Desk



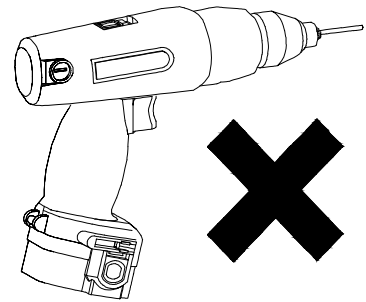
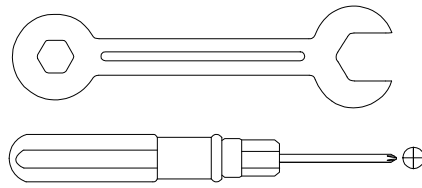
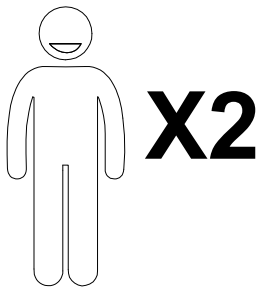
# Contact Us

## We're here to help you.

Your satisfaction is our top priority. If you encounter any issues with this product, such as missing or damaged parts, we're here to help. Please retain the original packaging and take photos of the packaging and the product, then contact us as soon as possible.

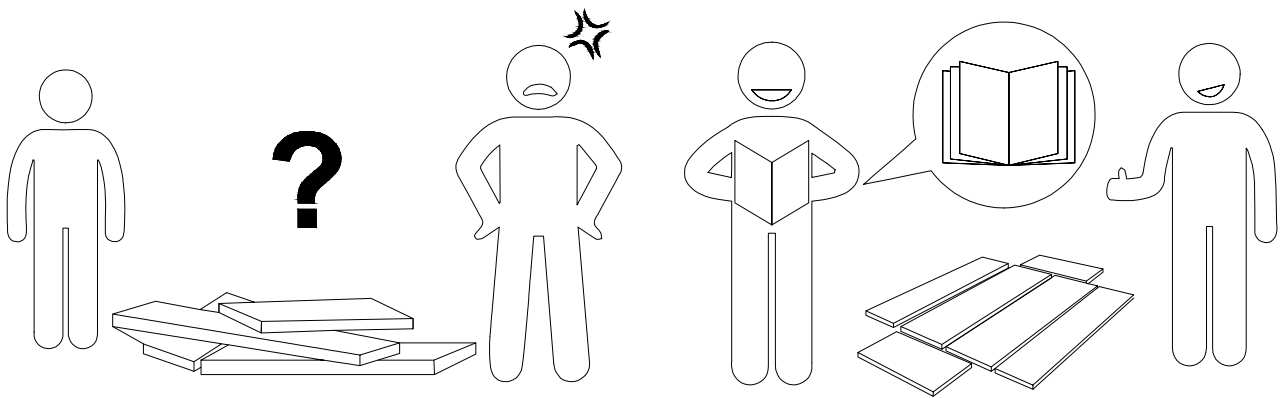
### Warm Tips

1. Carefully read these instructions and keep them for future reference.
2. Check the parts list and confirm everything's there before starting assembly.
3. When assembling, put all parts on a soft, smooth surface like a carpet to avoid scratches.
4. Don't fully tighten screws until all parts are confirmed in place to avoid misalignment.



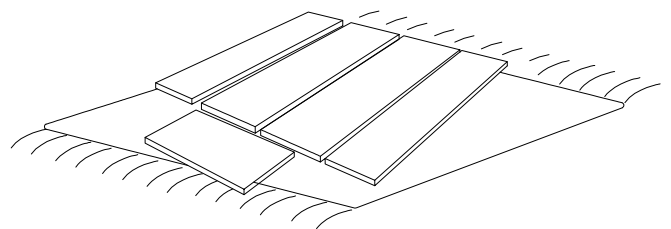
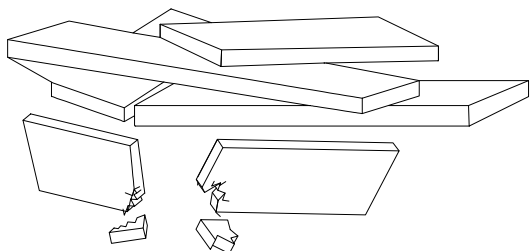
We recommend using hand tools for assembly.

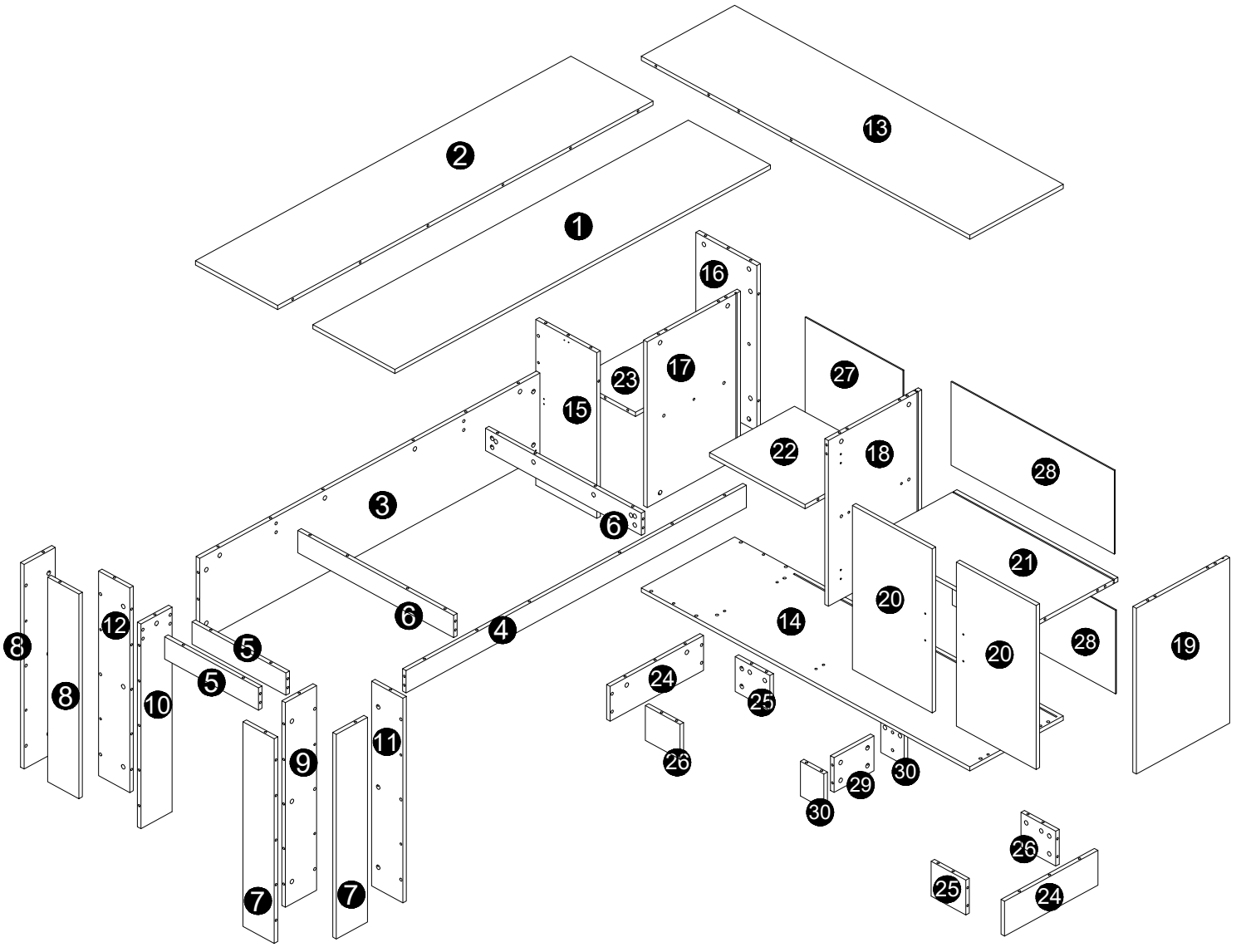
If an electric screwdriver is used, reduce power and torque to avoid damage to the product.



## AVOID SCRATCHES

In order to avoid scratching, this furniture should be assembled on a soft surface, such as a rug.

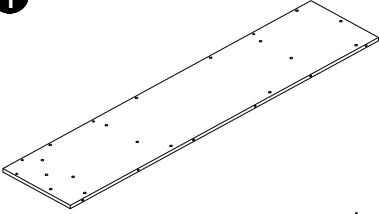
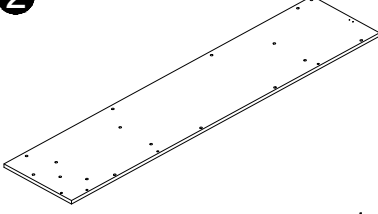
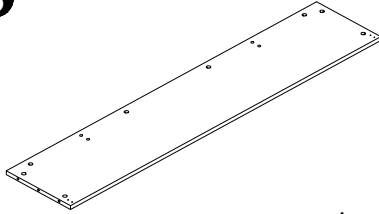
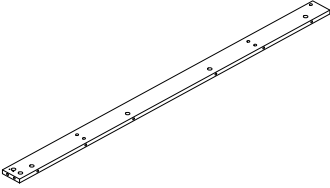
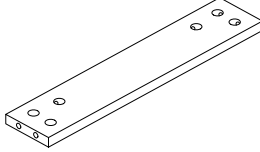
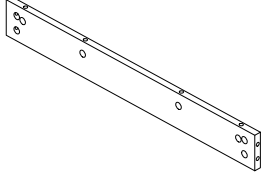
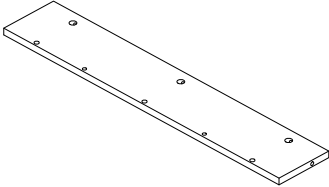
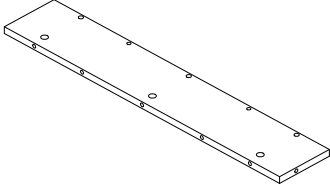
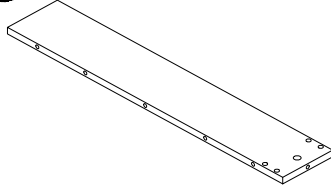
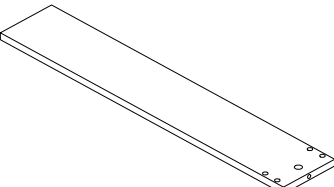
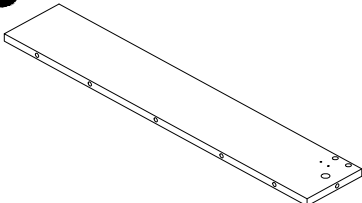
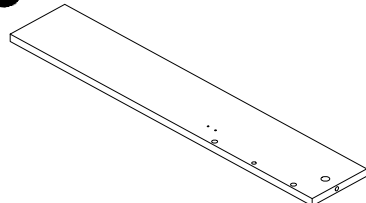
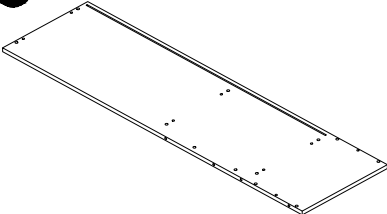
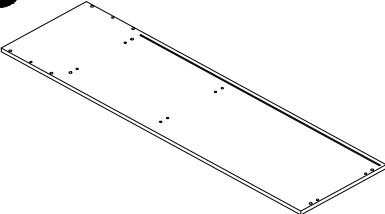
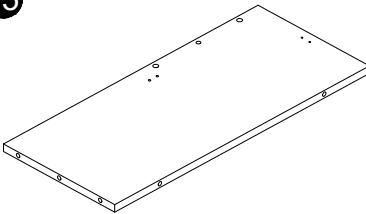
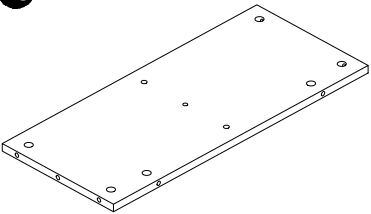
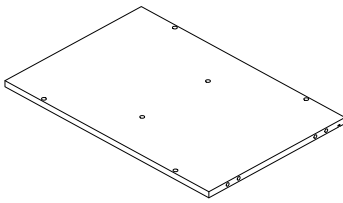
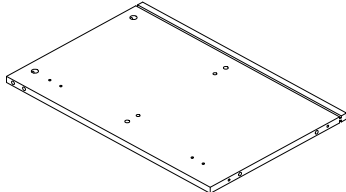




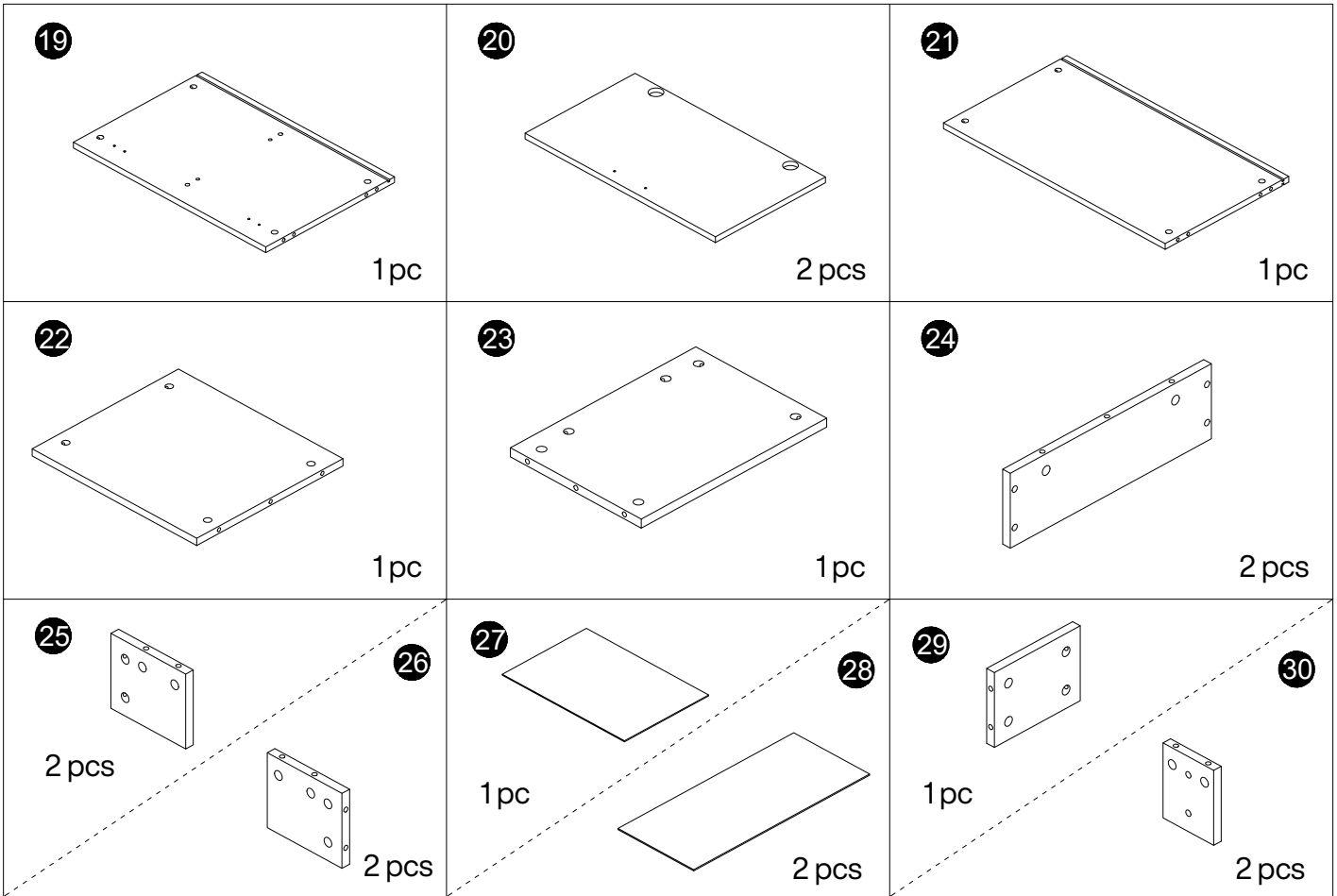
**⚠ Caution**

Make sure all parts are included. Most board parts are labeled or stamped on the raw edge. Contact us for a free replacement if you encounter any damaged or missing parts.

# Parts List

<b>1</b>  1pc	<b>2</b>  1pc	<b>3</b>  1pc
<b>4</b>  1pc	<b>5</b>  2 pcs	<b>6</b>  2 pcs
<b>7</b>  2 pcs	<b>8</b>  2 pcs	<b>9</b>  1pc
<b>10</b>  1pc	<b>11</b>  1pc	<b>12</b>  1pc
<b>13</b>  1pc	<b>14</b>  1pc	<b>15</b>  1pc
<b>16</b>  1pc	<b>17</b>  1pc	<b>18</b>  1pc

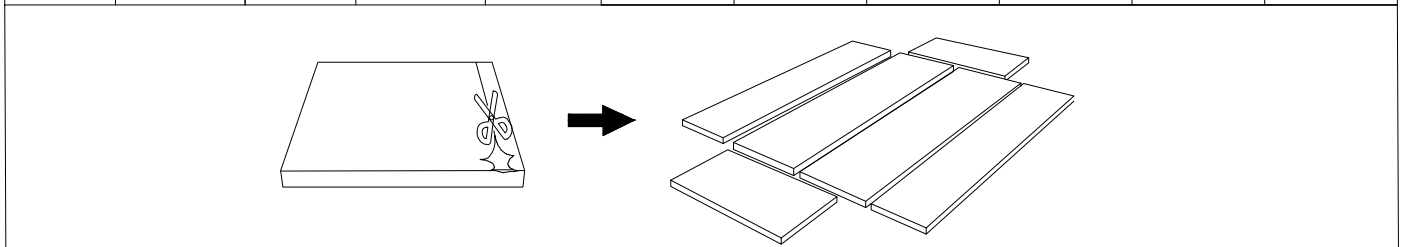
# Parts List



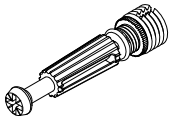
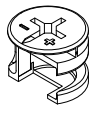
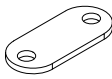
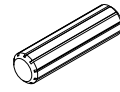
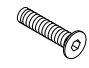


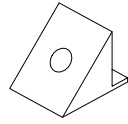

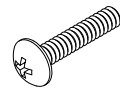

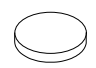

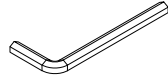
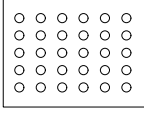
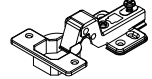
**Before installation, please check if you have received the A and B packages, and check if the parts are complete.**

A			
1	1pc	2	1pc
3	1pc	4	1pc
5	2pcs	13	1pc
14	1pc	24	2pcs

B					
6	2pcs	7	2pcs	8	2pcs
9	1pc	10	1pc	11	1pc
12	1pc	15	1pc	16	1pc
17	1pc	18	1pc	19	1pc
20	2pcs	21	1pc	22	1pc
23	1pc	25	2pcs	26	2pcs
27	1pc	28	2pcs	29	1pc
30	2pcs				

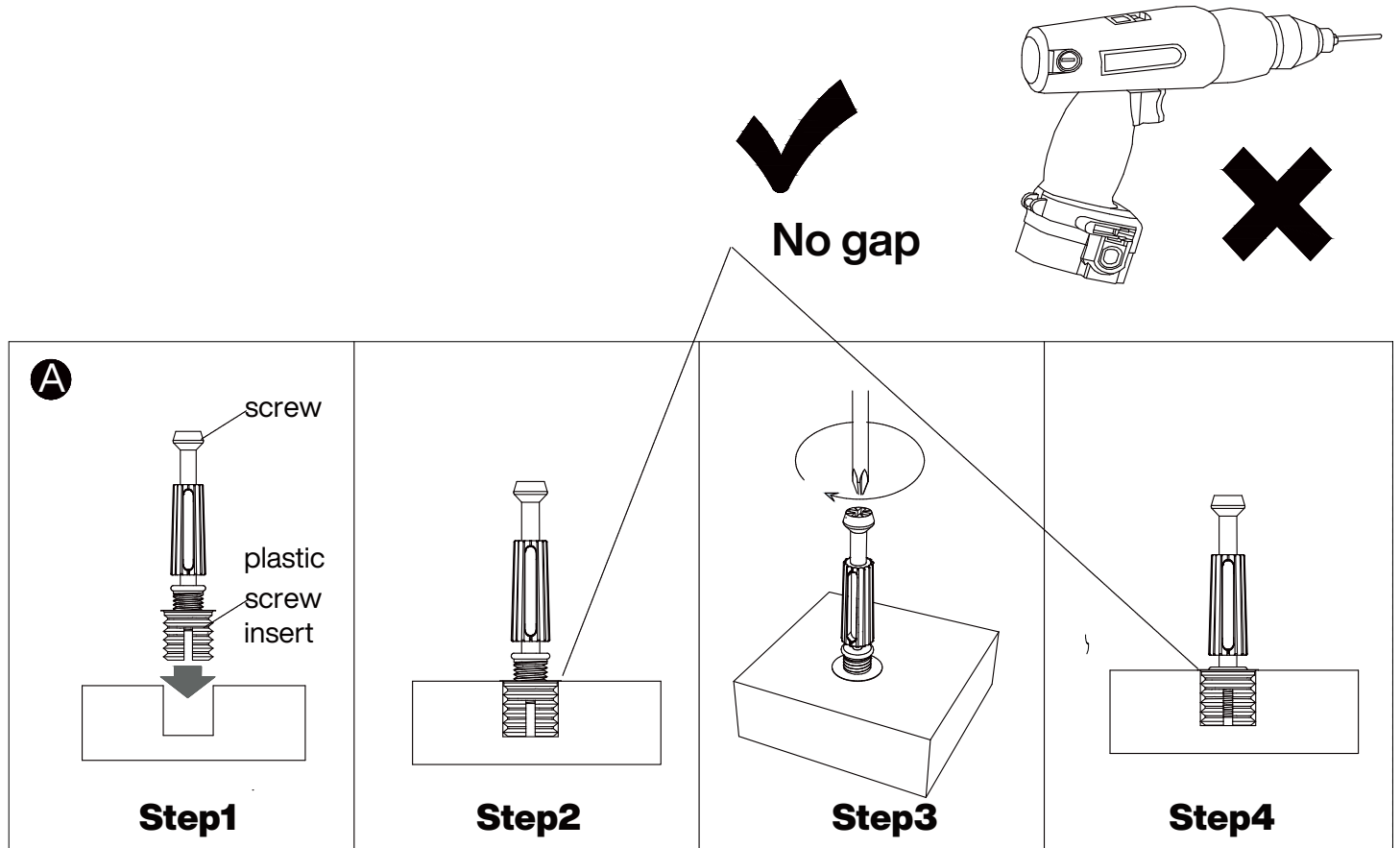


# Hardware List

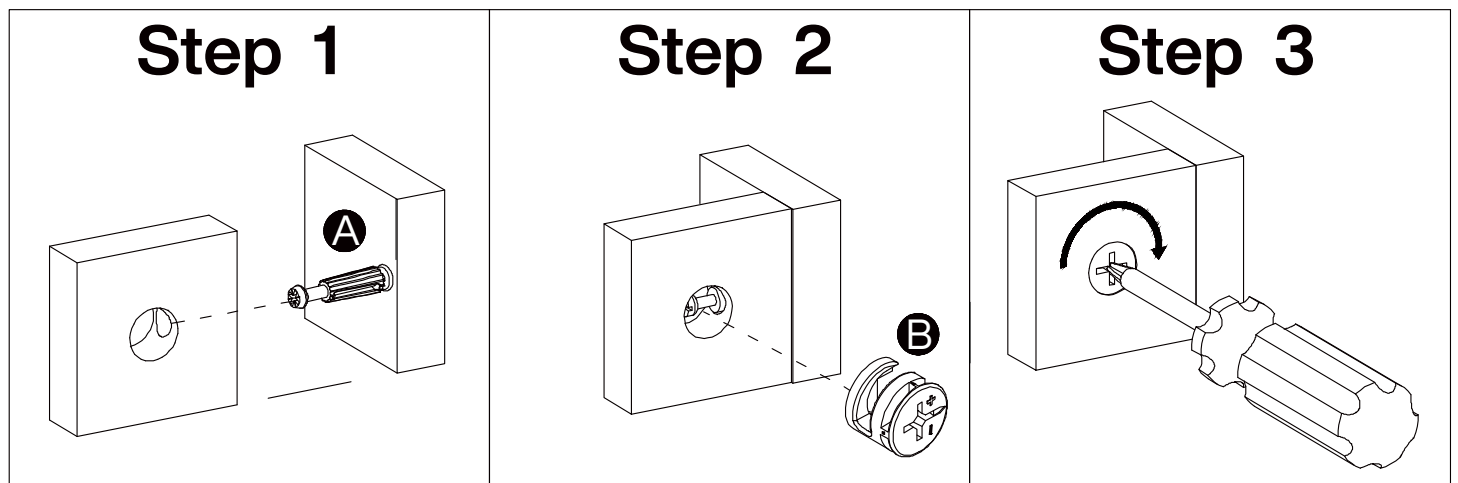
A	B	C	D	E	F
					
M6x40mm	Ø15x12mm		Ø8x30mm	Ø6x10mm	
134+1 pcs	134+1 pcs	7 pcs	64+1 pcs	14+1 pcs	4 pcs
G	H	I	J	K	L
					
Ø3.5x14mm		8x15x105mm	Ø4x18mm	Ø7x38mm	Ø15x2mm
58+2 pcs	18 pcs	2 pcs	4 pcs	2 pcs	19+1 pcs
M	N	O	P		
					
	M3	Ø20mm			
1pc	1pc	126 pcs	4 pcs		

## Installation of Cams and Pins

Step 1-2: Align the plastic part with the mounting hole and press it in. If you can't press it in, loosen the screw counter clockwise or completely remove the screw from the plastic part and try again.  
Step 3-4: After pressing the plastic part into place, use a screwdriver to tighten the screw clockwise.



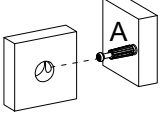
Screw the pin into the hole. Set the cams correctly by aligning the head of the cams with the lock pins. Lock the cam by turning the cam head with a screwdriver until it is tightened. Please do not use an electric screwdriver to assemble the unit.



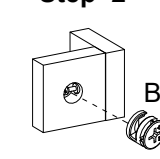


# 3

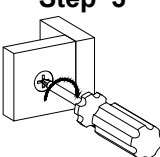
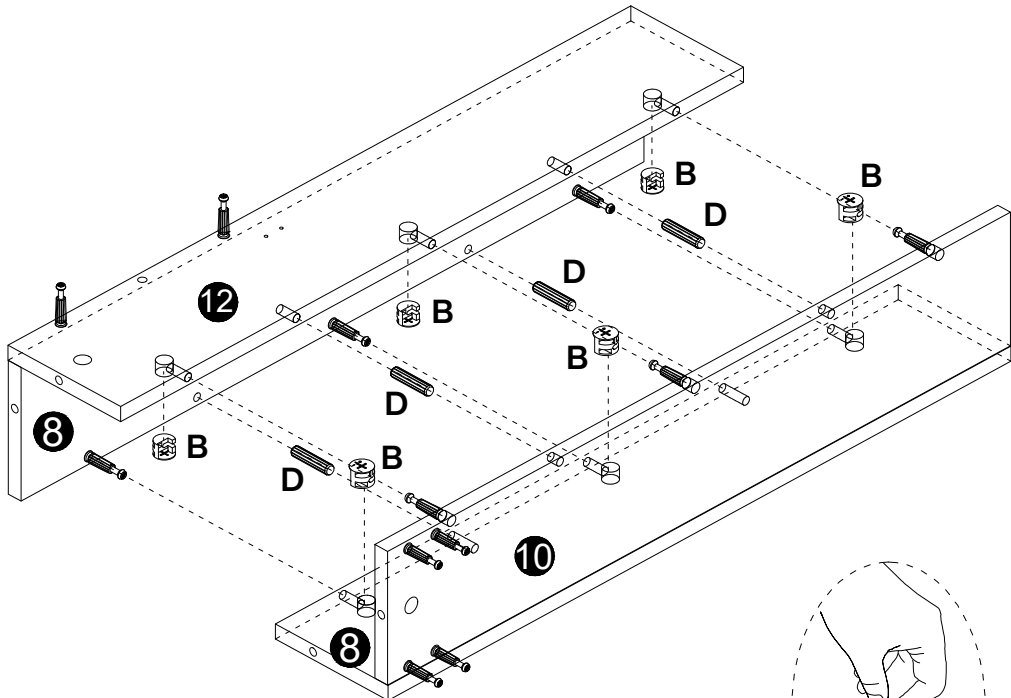
**Step 1**



**Step 2**



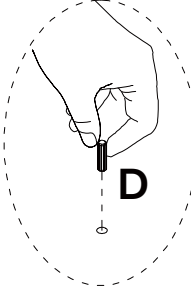
**Step 3**

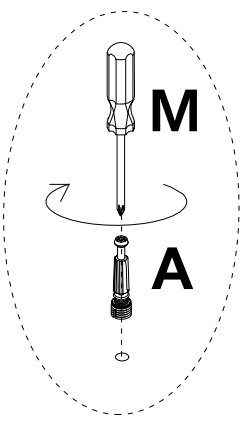
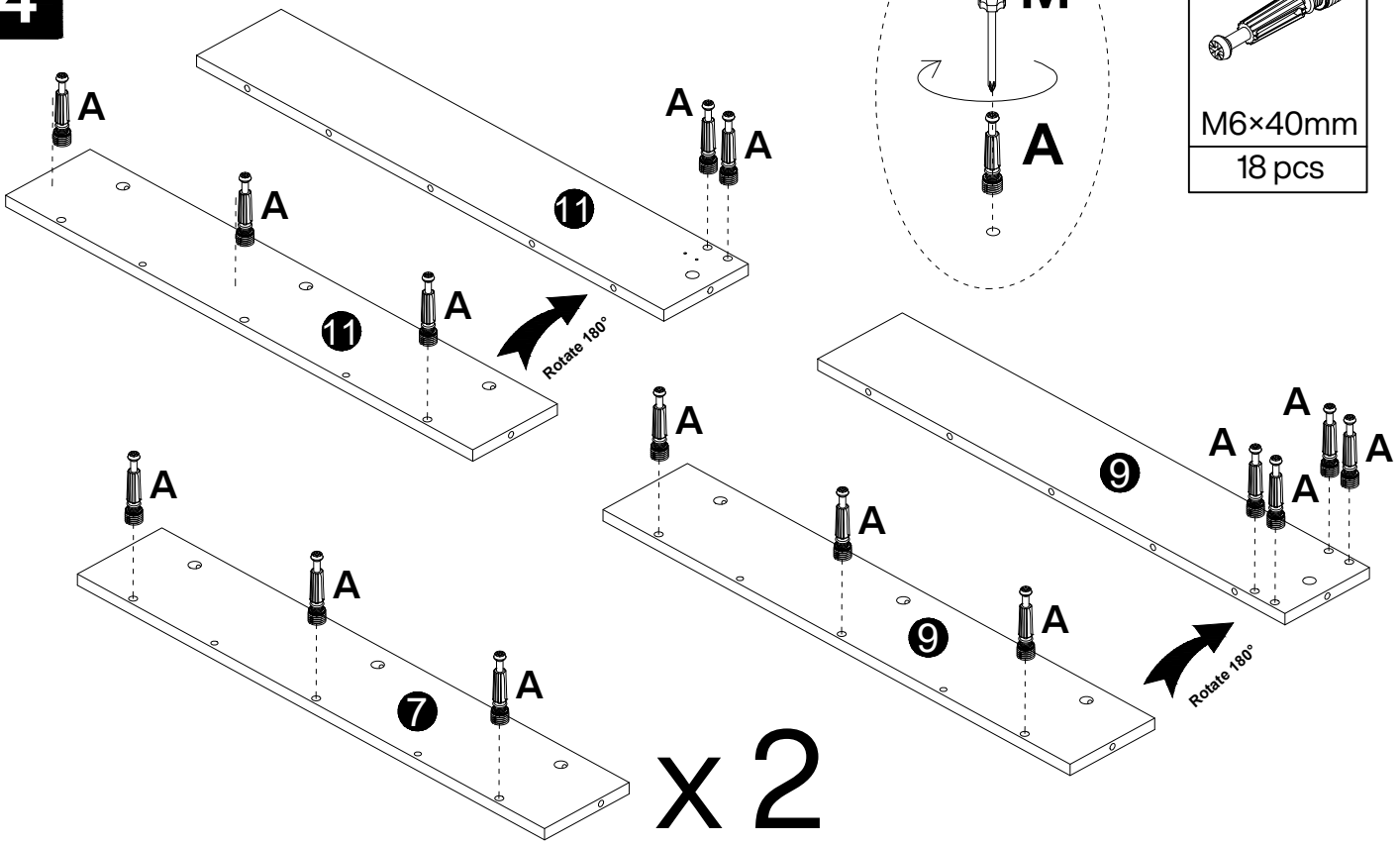
<b>B</b>

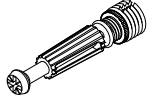
Ø15×12mm
6 pcs
<b>D</b>

Ø8×30mm
4 pcs

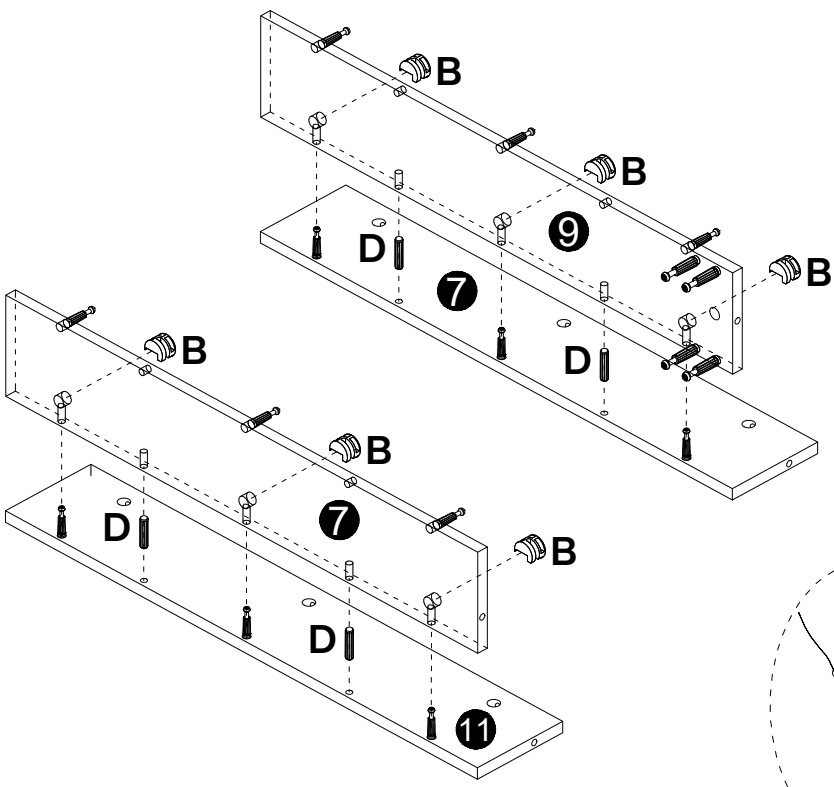


# 4



<b>A</b>

M6×40mm
18 pcs

# 5



**Step 1**

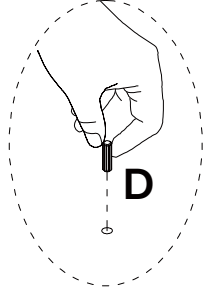
**Step 2**

**Step 3**

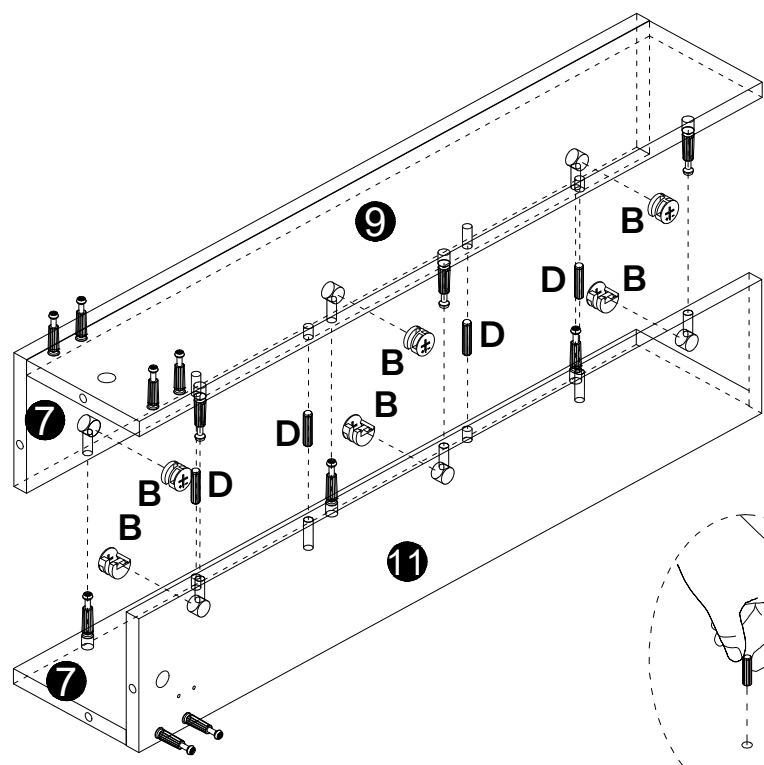
<b>B</b>

Ø15×12mm 6 pcs
<b>D</b>

Ø8×30mm 4 pcs



# 6



**Step 1**

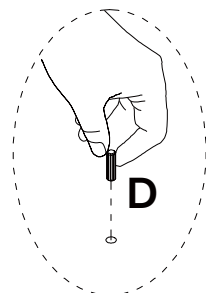
**Step 2**

**Step 3**

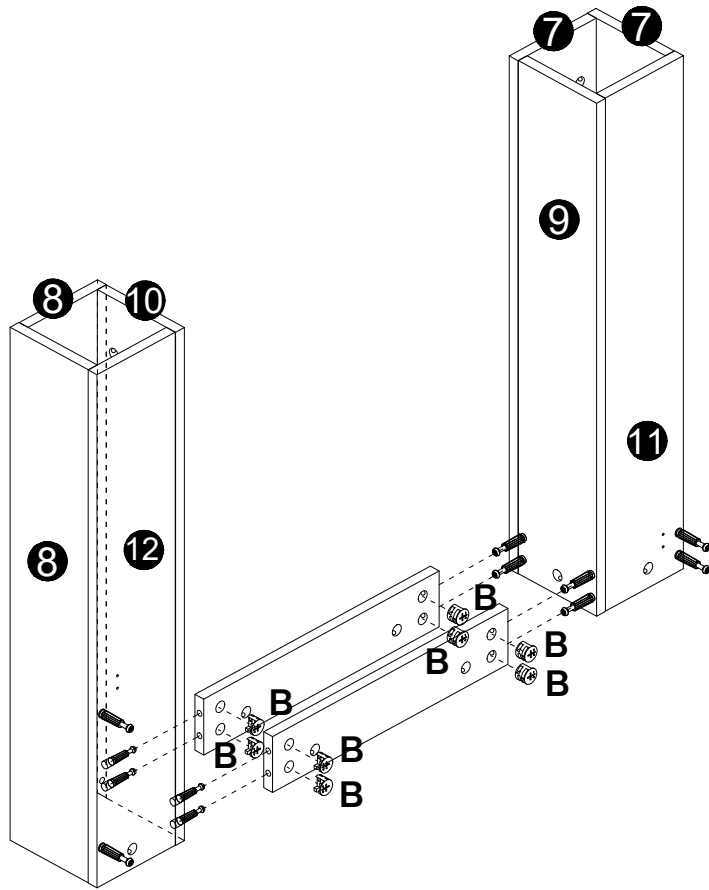
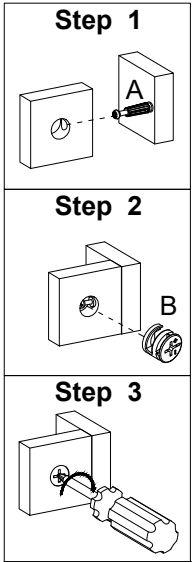
<b>B</b>

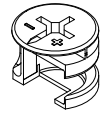
Ø15×12mm 6 pcs
<b>D</b>

Ø8×30mm 4 pcs

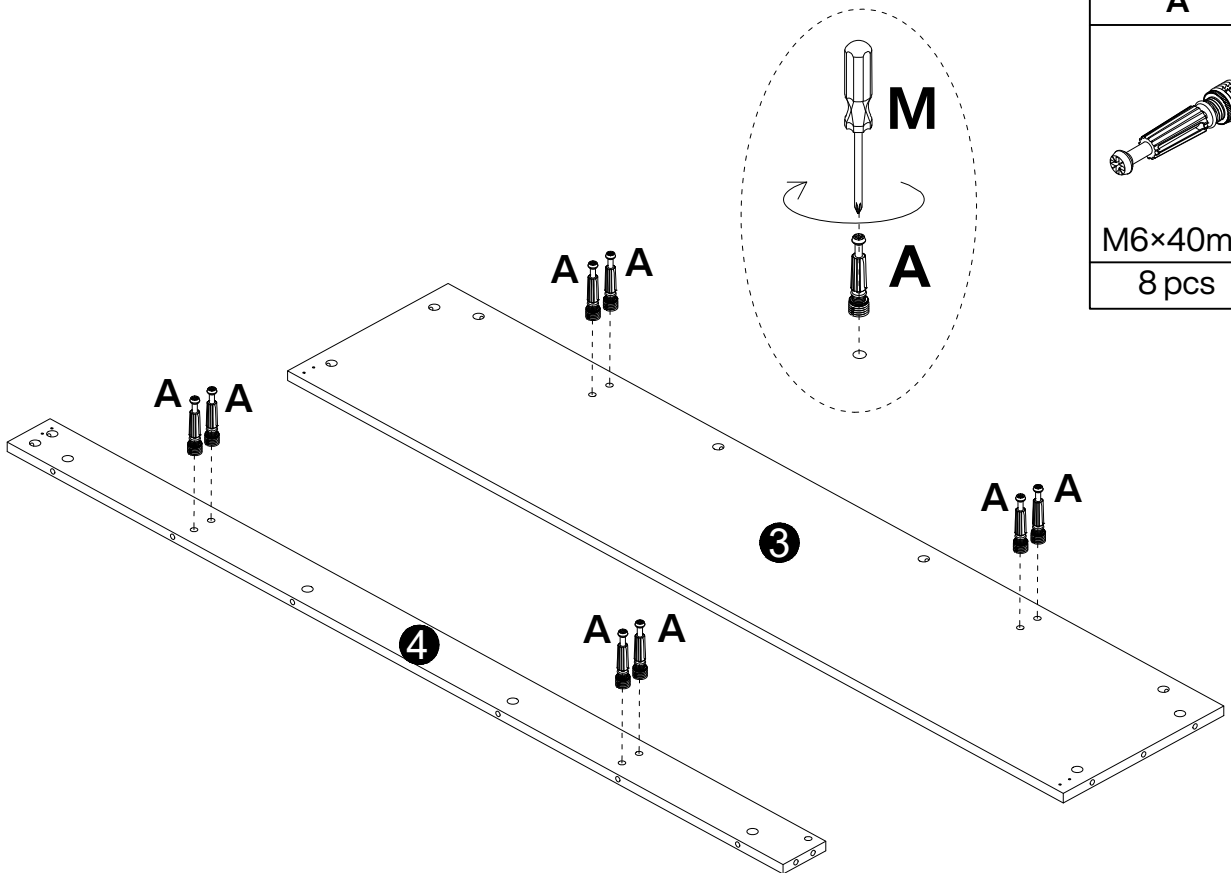


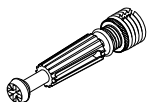
7



<b>B</b>

Ø15×12mm
8 pcs

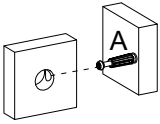
8



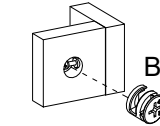
<b>A</b>

M6×40mm
8 pcs

# 9

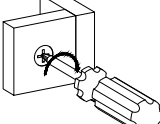
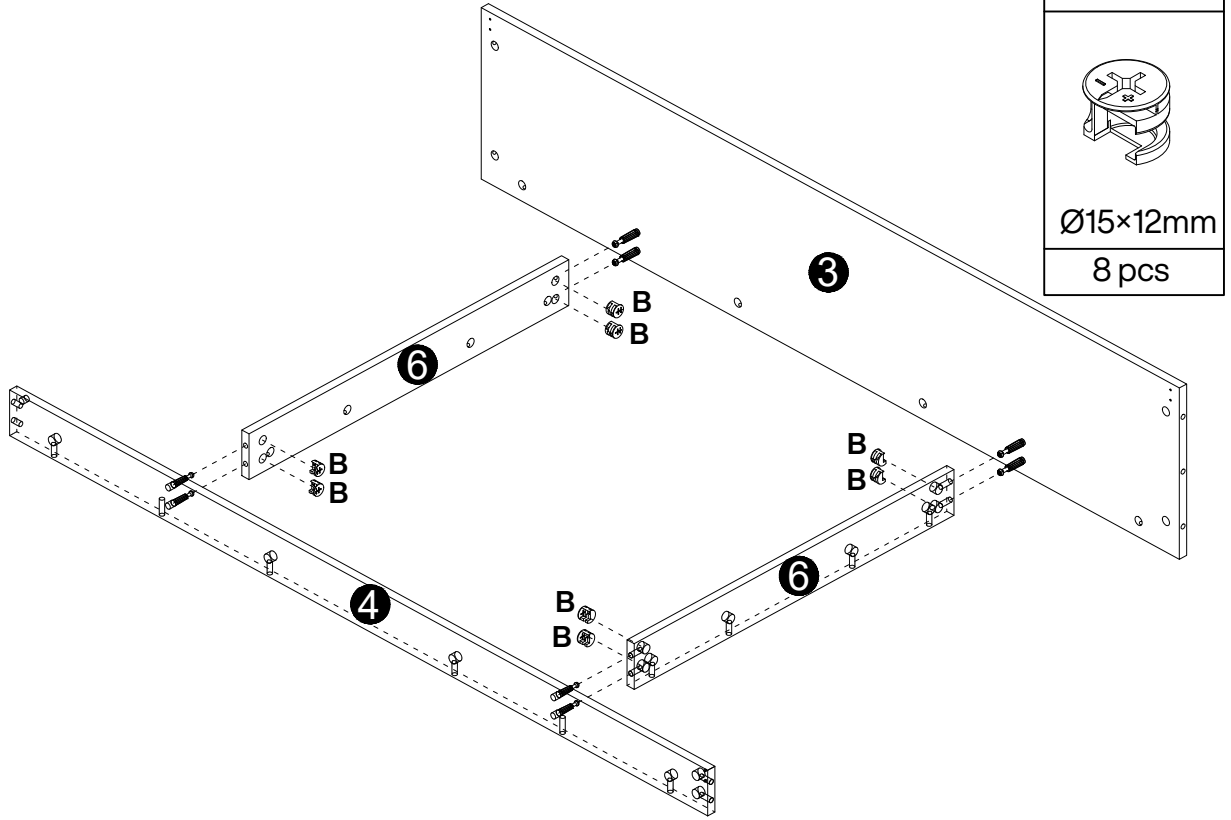
**Step 1**

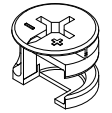


**Step 2**



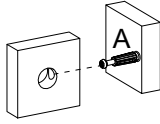
**Step 3**

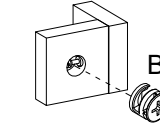
<b>B</b>

Ø15×12mm
8 pcs

# 10

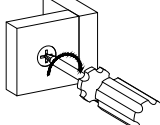
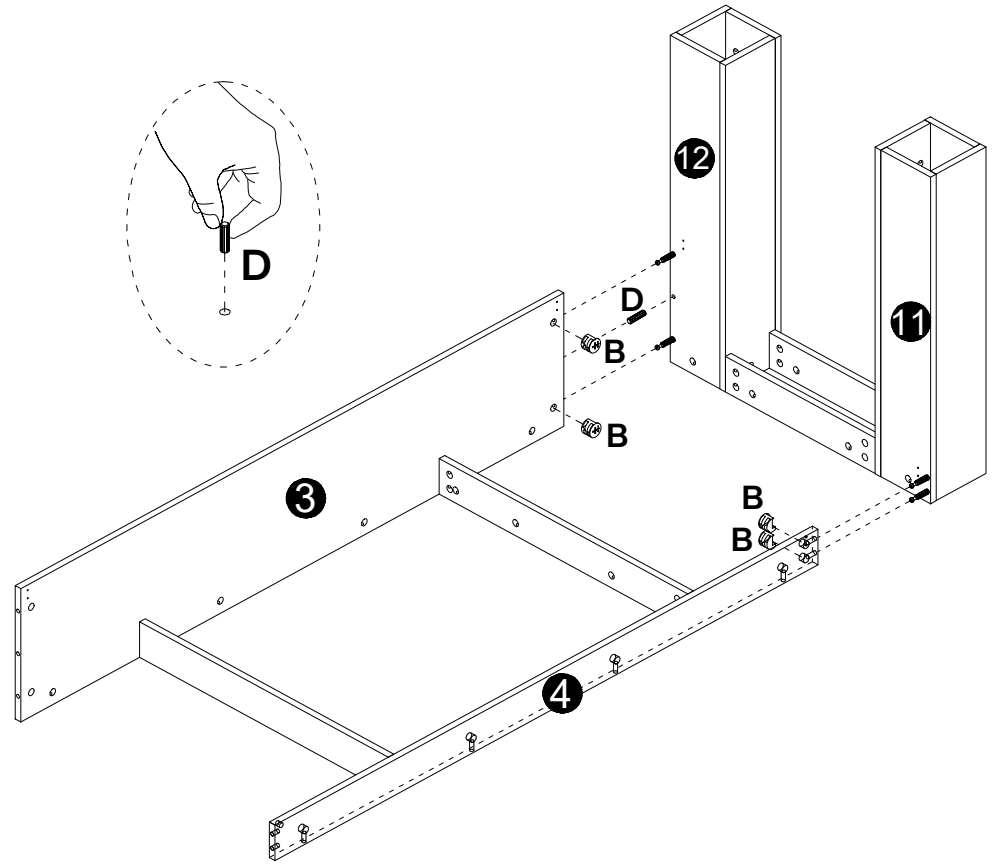
**Step 1**



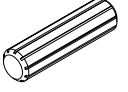
**Step 2**



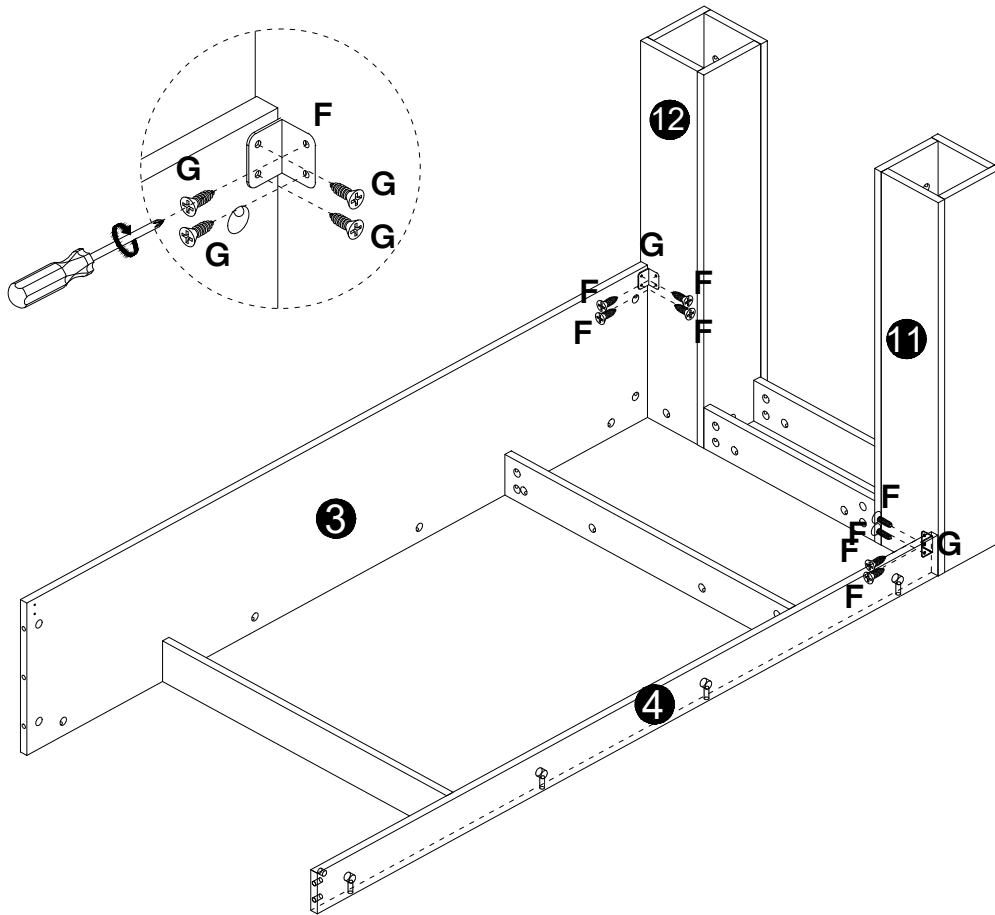
**Step 3**

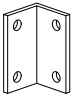
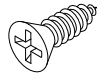



<b>B</b>

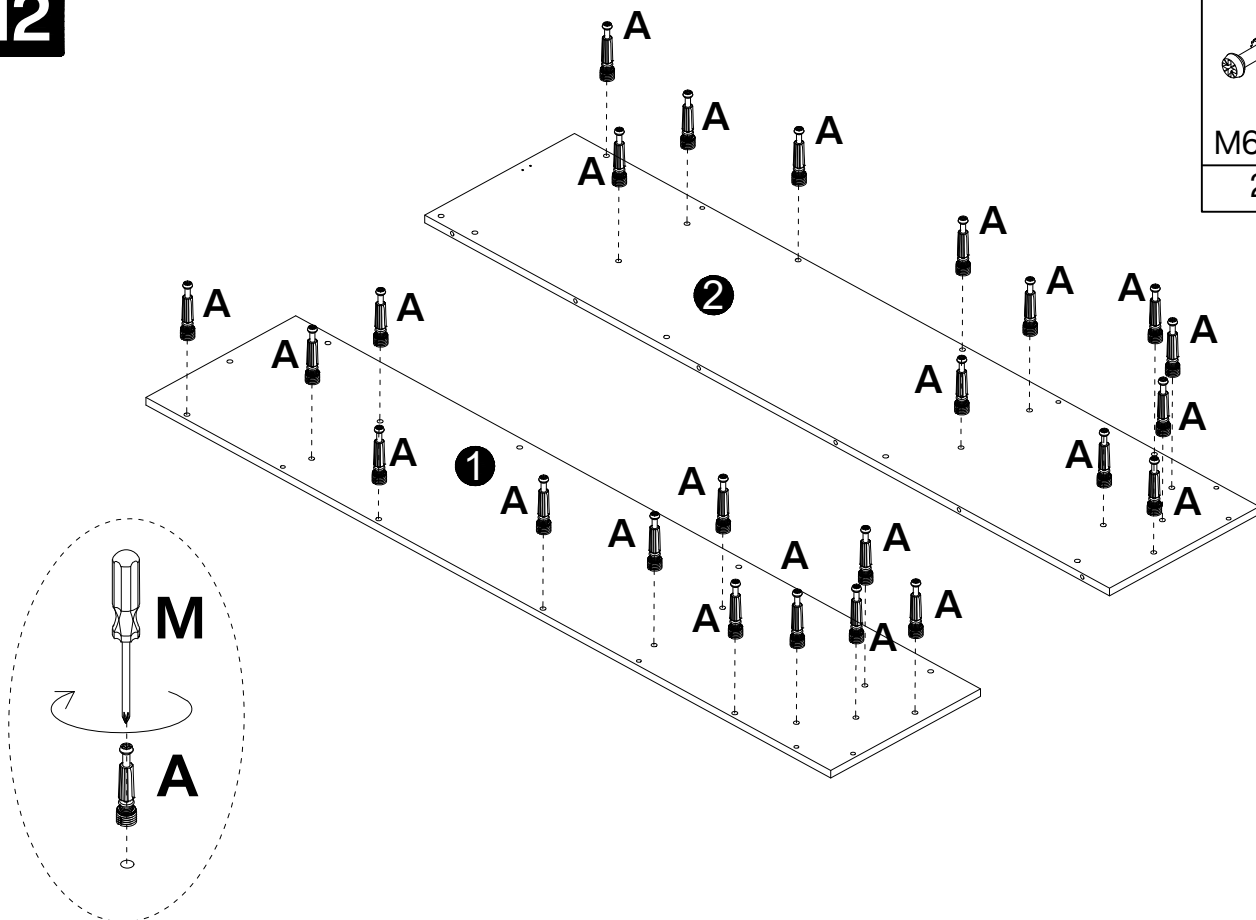
Ø15×12mm
4 pcs
<b>D</b>

Ø8×30mm
1 pcs

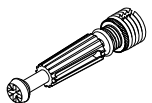
11



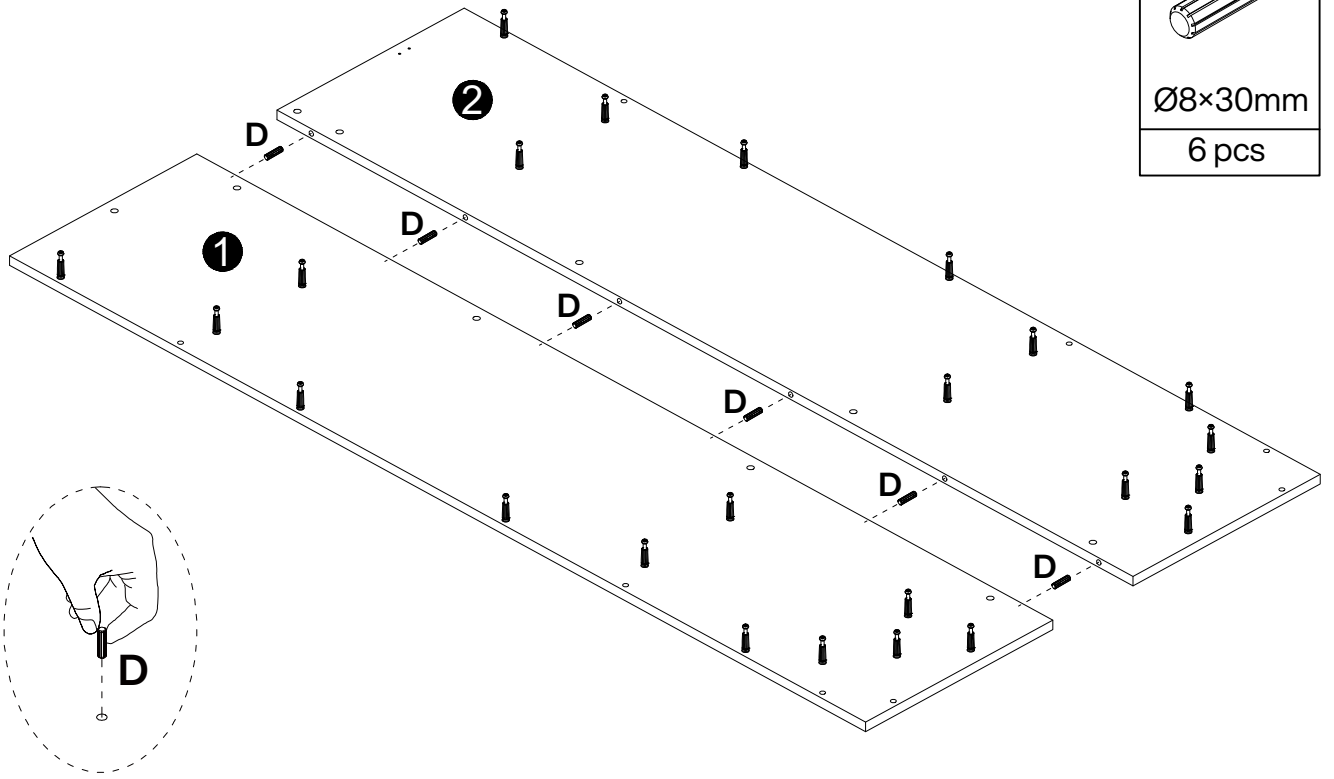
<b>F</b>

2 pcs
<b>G</b>

Ø3.5×14mm
8 pcs

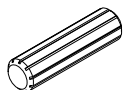
12



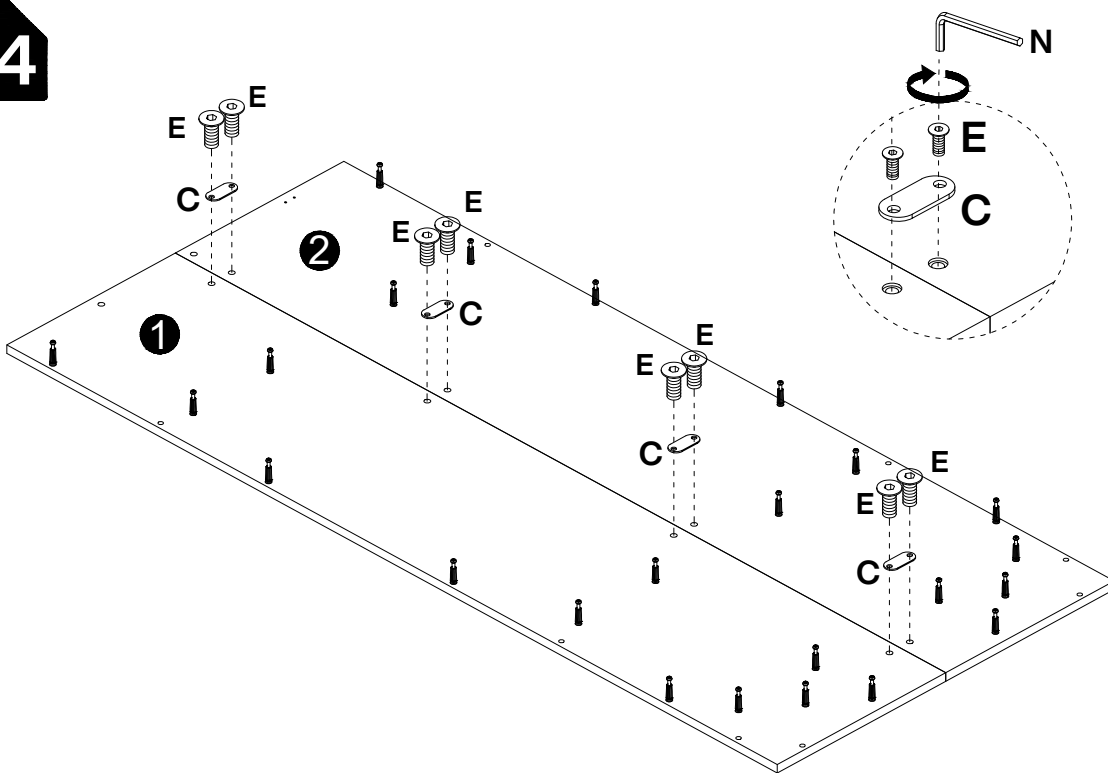
<b>A</b>

M6×40mm
24 pcs


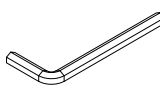
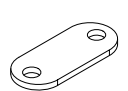
13



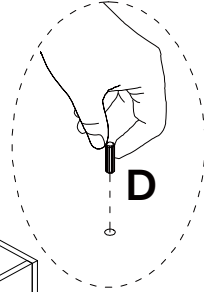
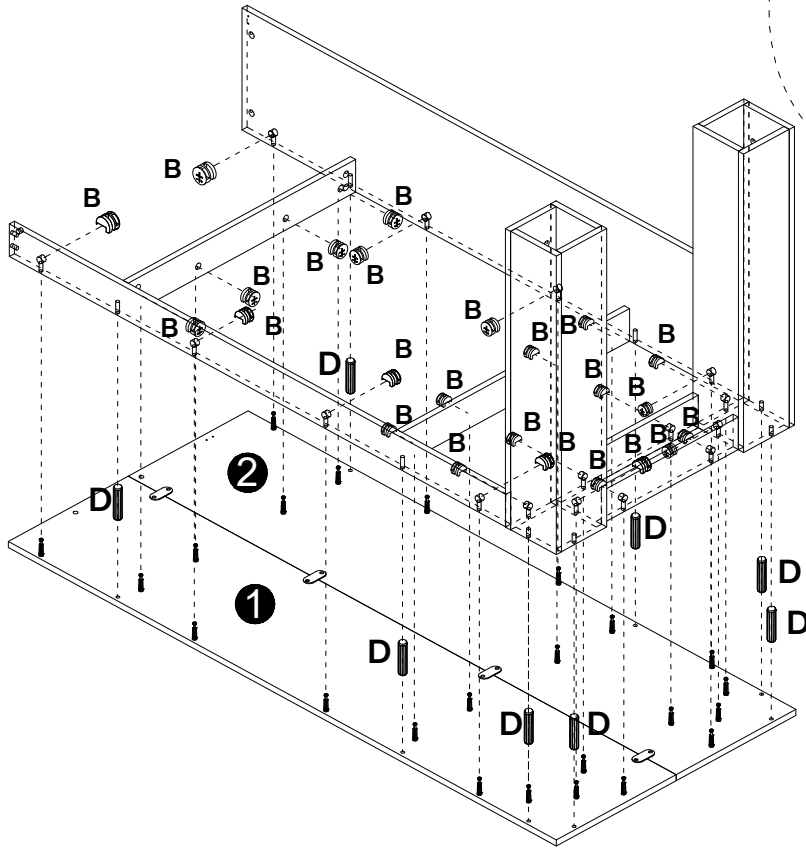
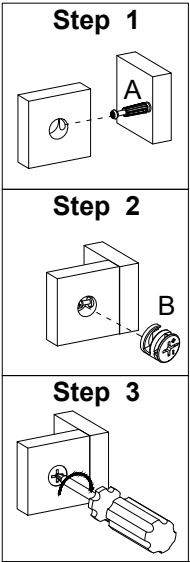
<b>D</b>

Ø8×30mm
6 pcs

14



<b>E</b>

Ø6×10mm
8 pcs
<b>N</b>

M3
1 pc
<b>C</b>

4 pcs

15

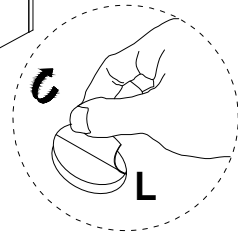
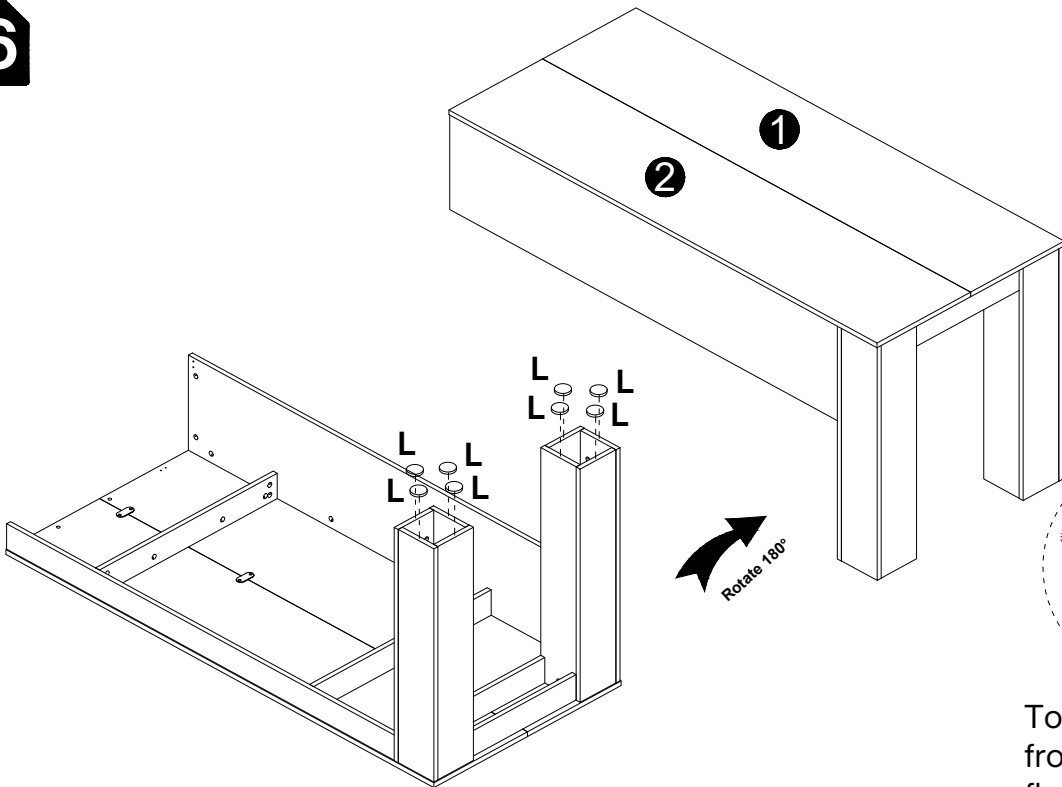



<b>B</b>

Ø15×12mm
24 pcs
<b>D</b>

Ø8×30mm
8 pcs

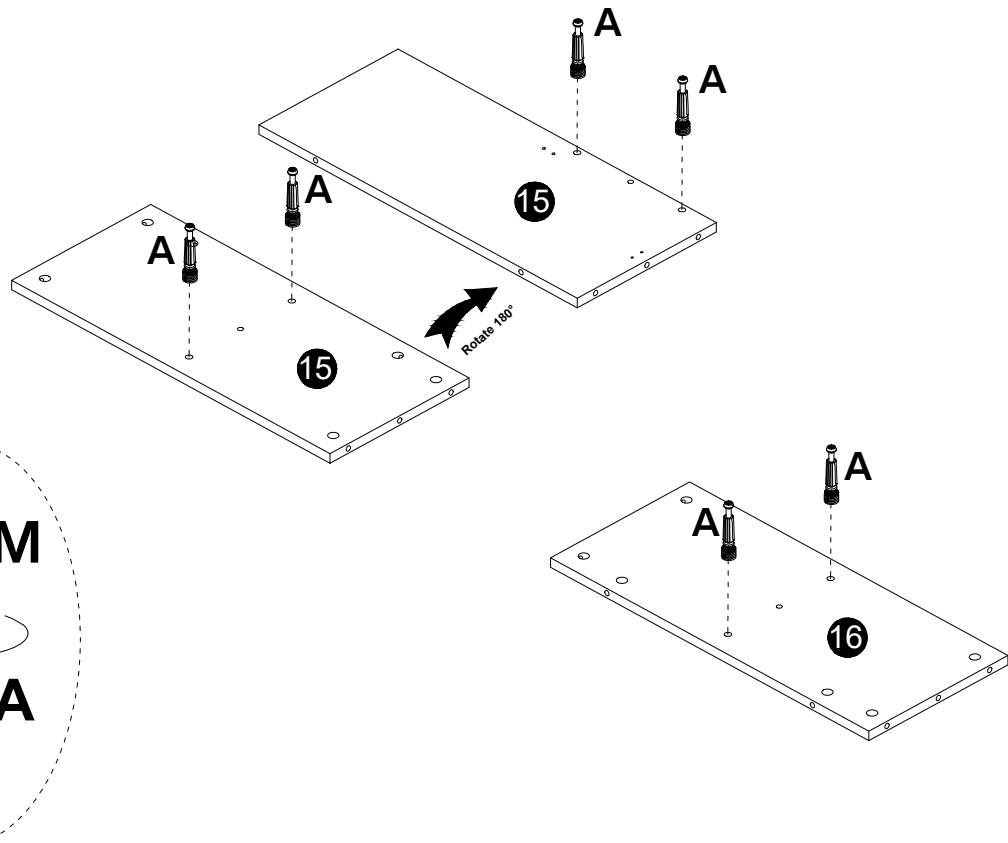
16

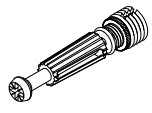


<b>L</b>

Ø15×2mm
8 pcs

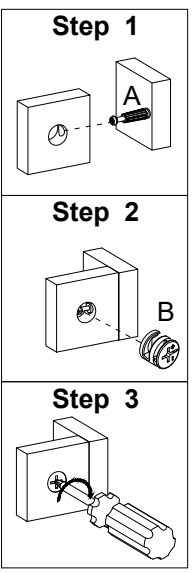
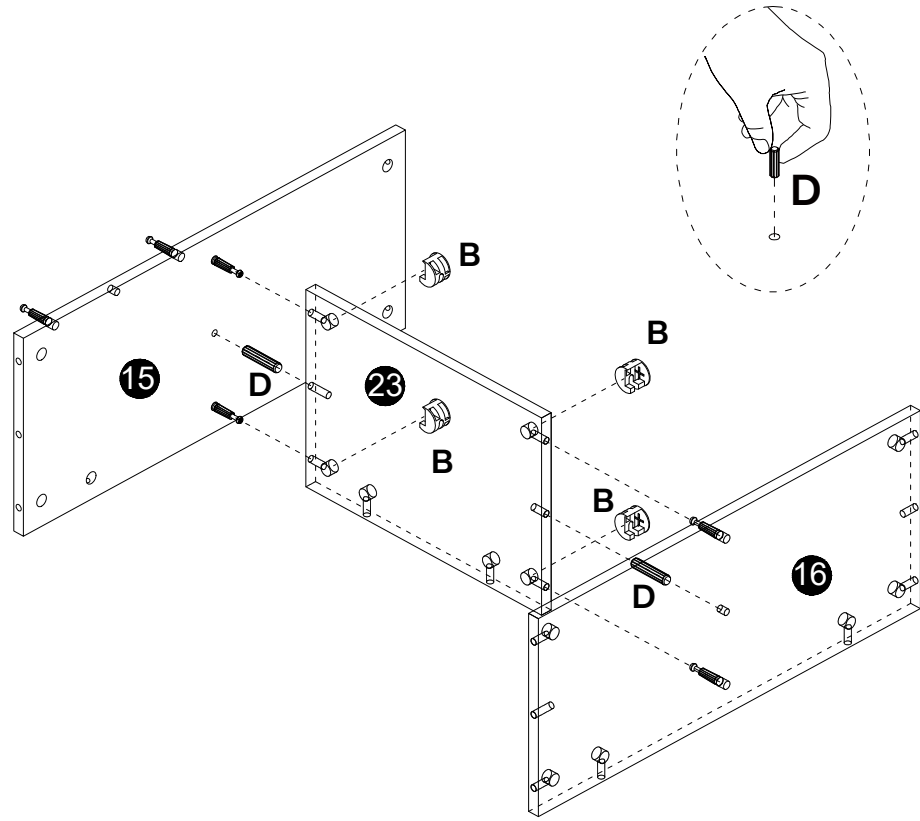
To prevent the table from scratching the floor, please peel off the tape on the #L and tape them to the corners of the table before use.

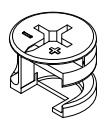
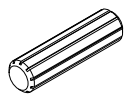
17



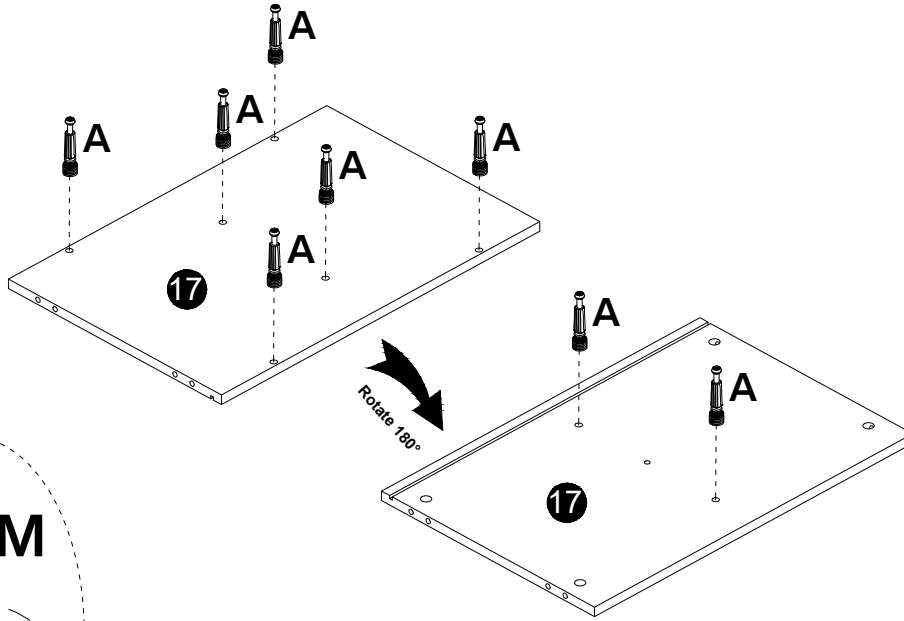
<b>A</b>

M6×40mm
6 pcs

18



<b>B</b>

Ø15×12mm
4 pcs
<b>D</b>

Ø8×30mm
2 pcs

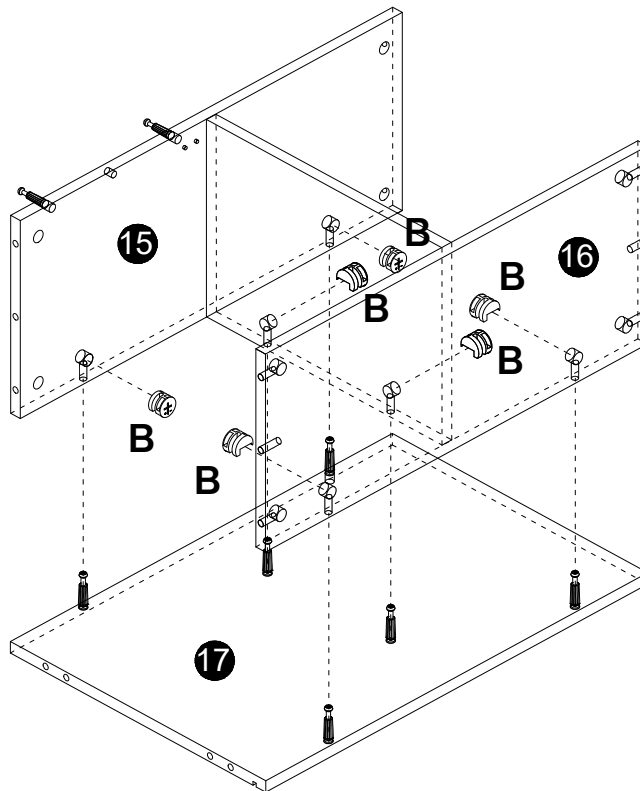
19

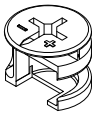


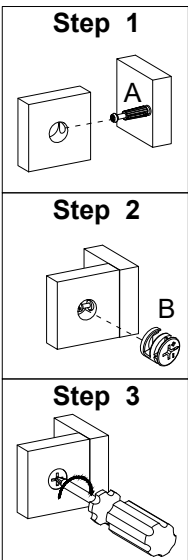
<b>A</b>

M6×40mm
8 pcs

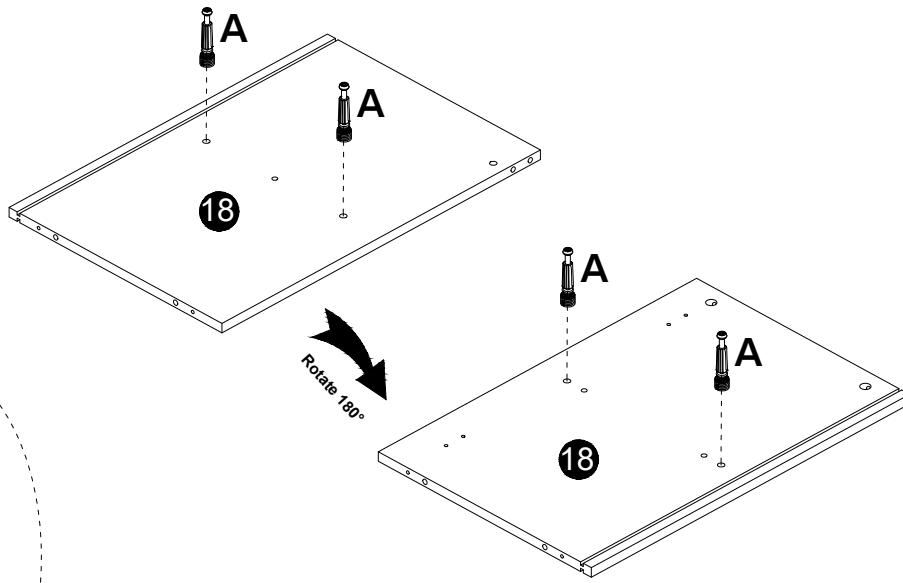
20

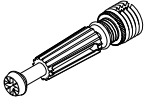


<b>B</b>

Ø15×12mm
6 pcs

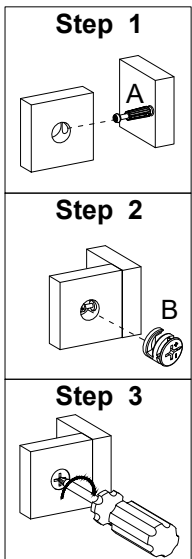
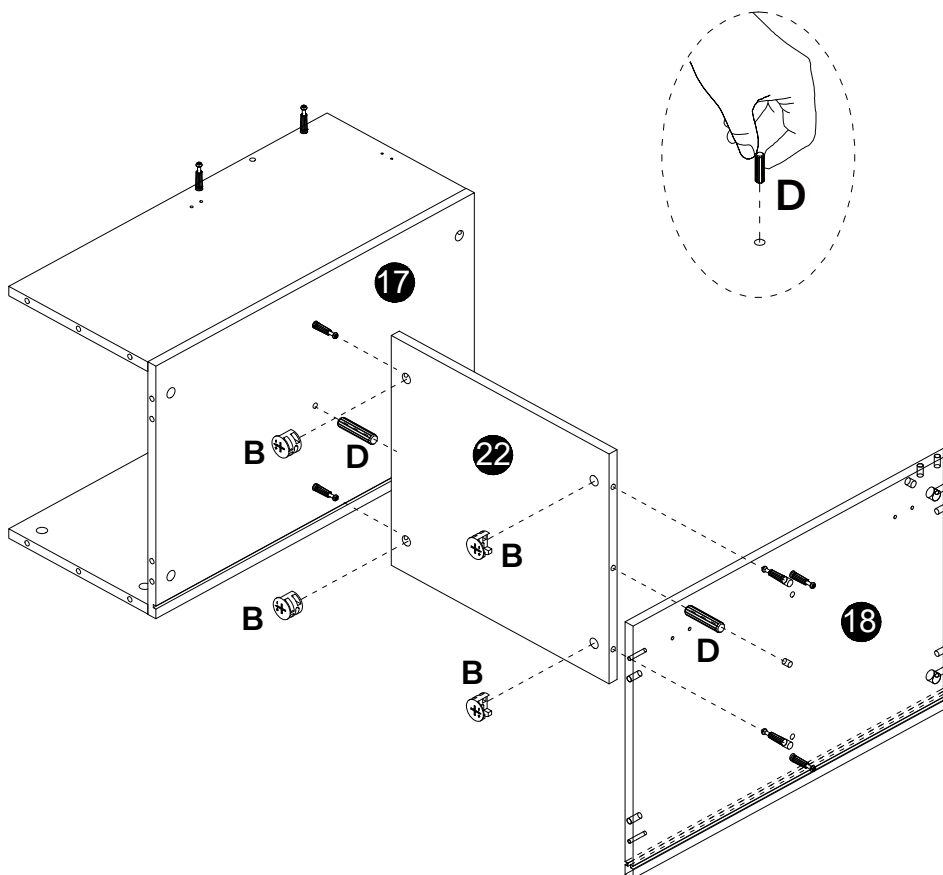


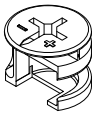
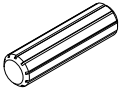
21



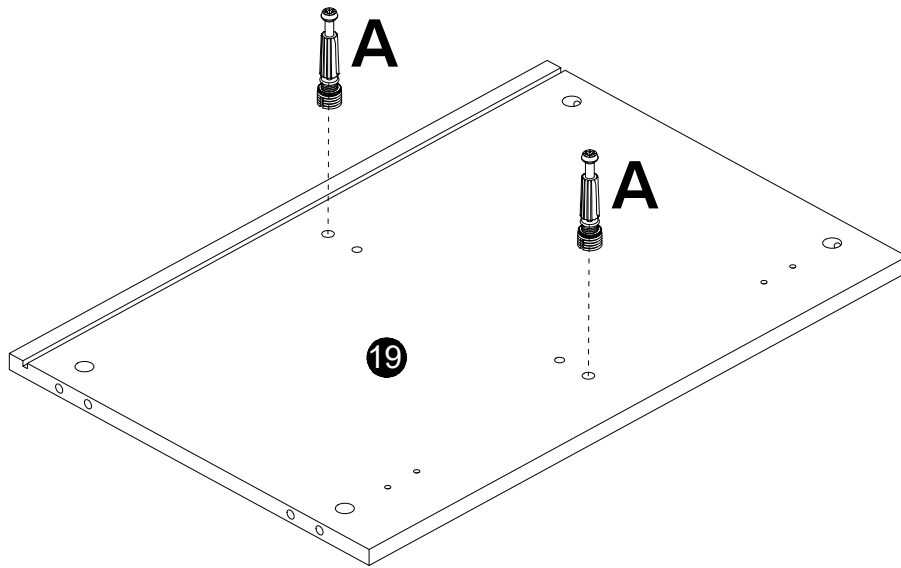
<b>A</b>

M6×40mm
4 pcs

22



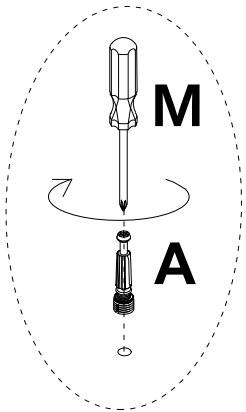
<b>B</b>

Ø15×12mm
4 pcs
<b>D</b>

Ø8×30mm
2 pcs

23

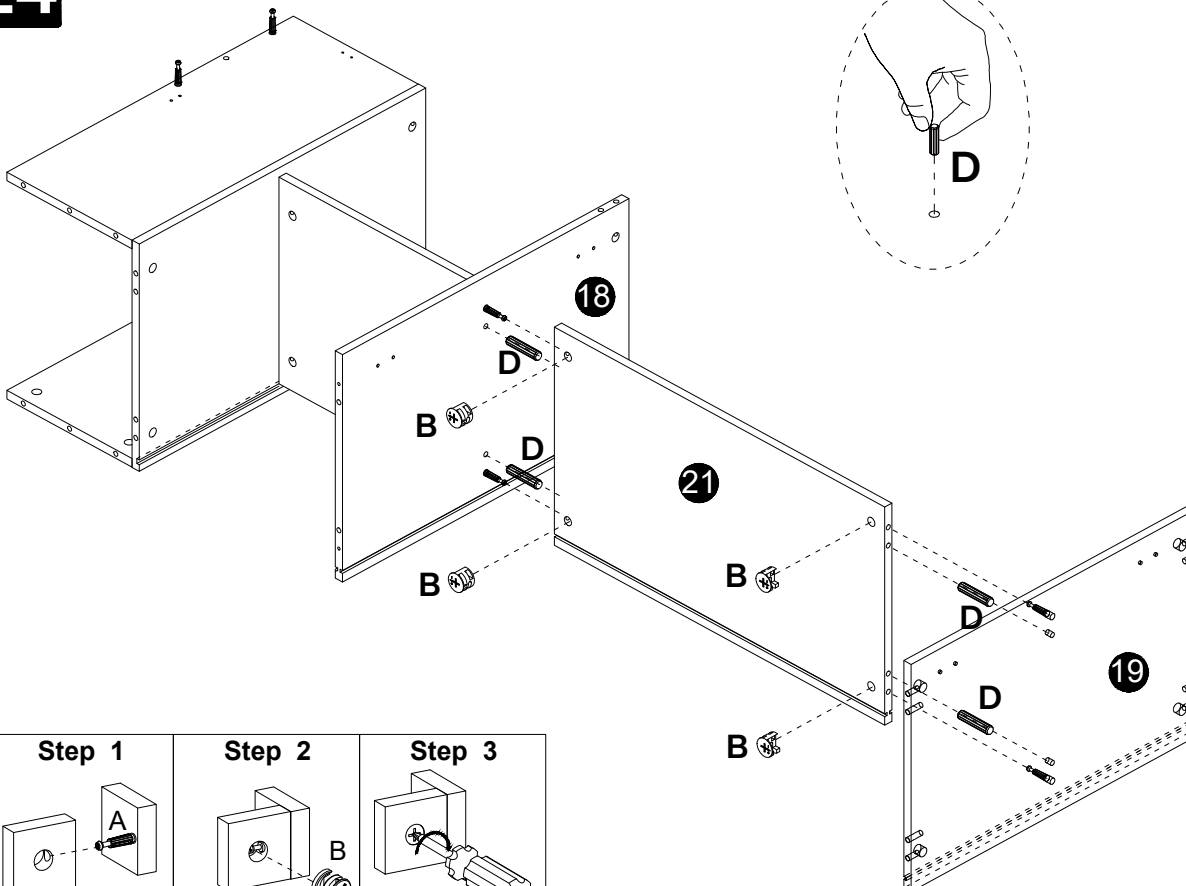


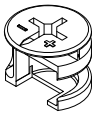
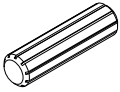
<b>A</b>

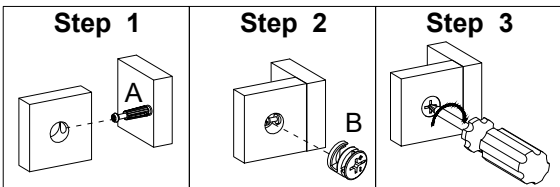
M6×40mm
2 pcs



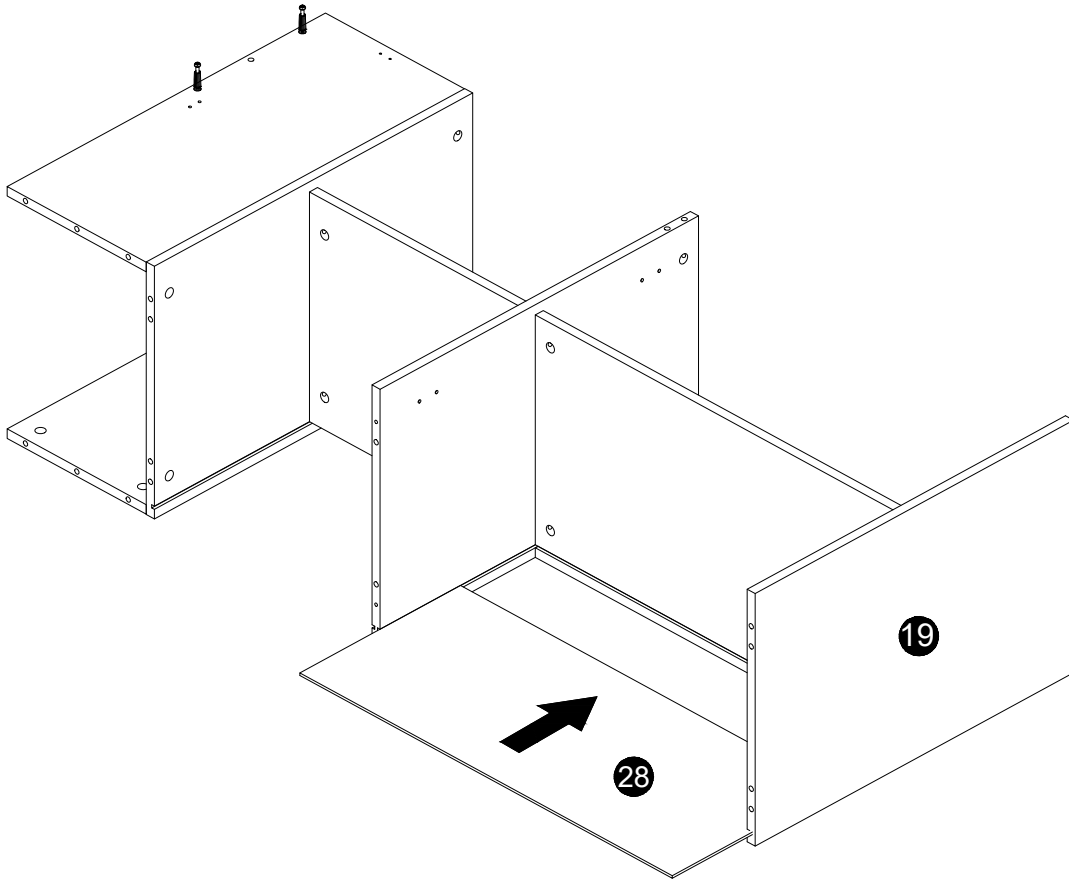
24



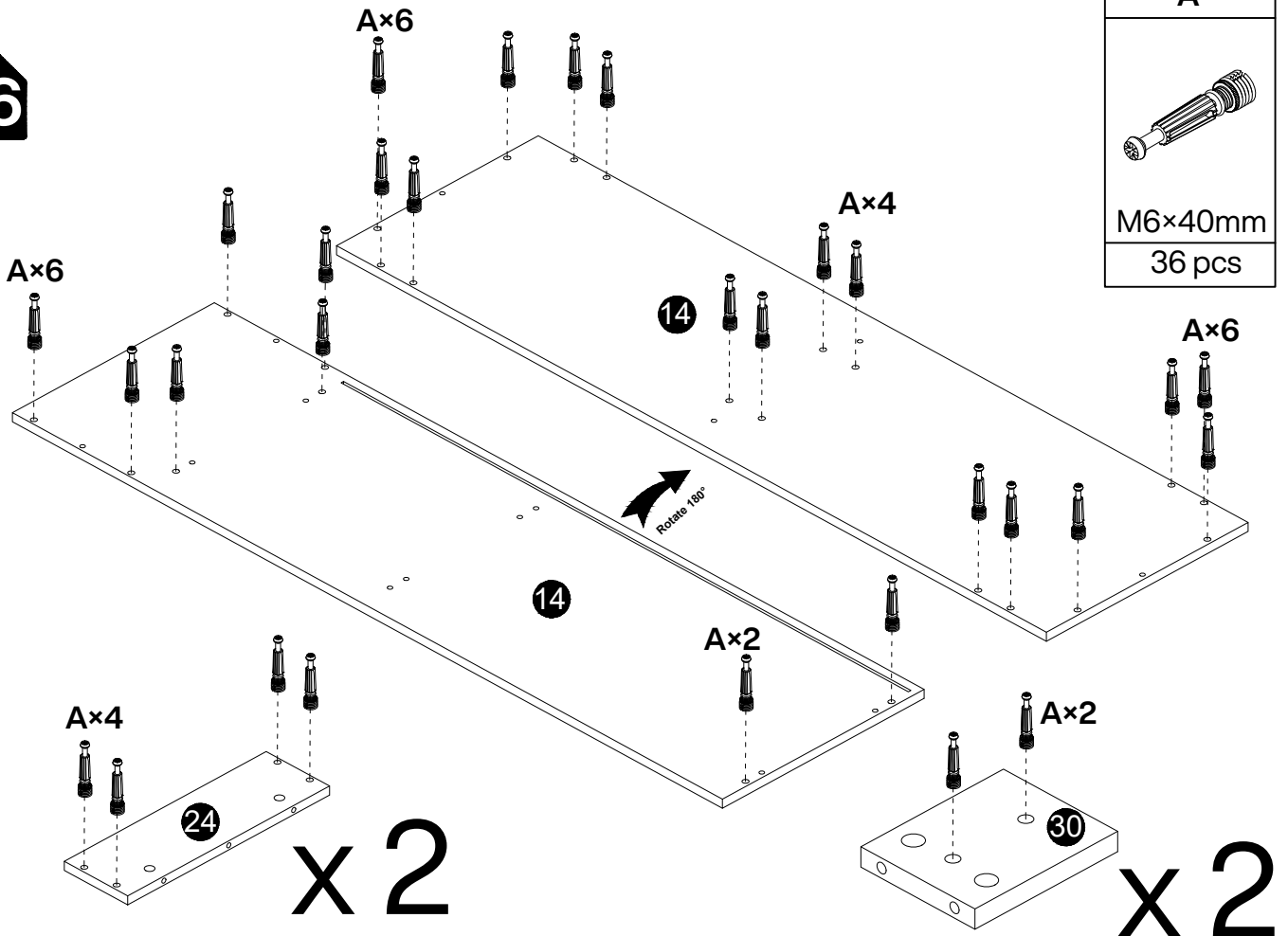
<b>B</b>

Ø15×12mm
4 pcs
<b>D</b>

Ø8×30mm
4 pcs



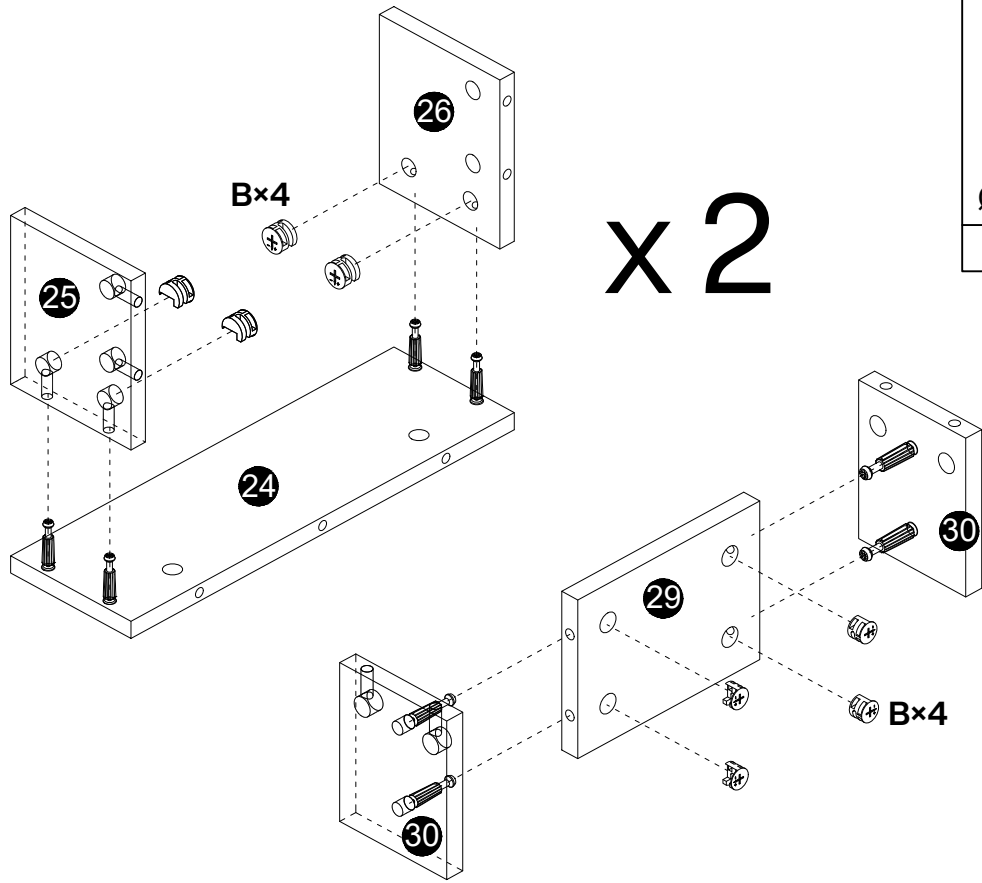
25

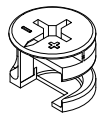


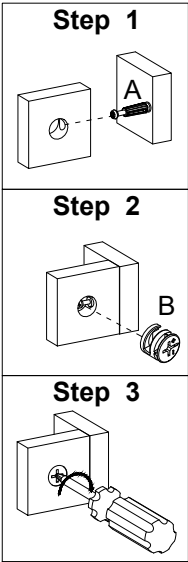
26



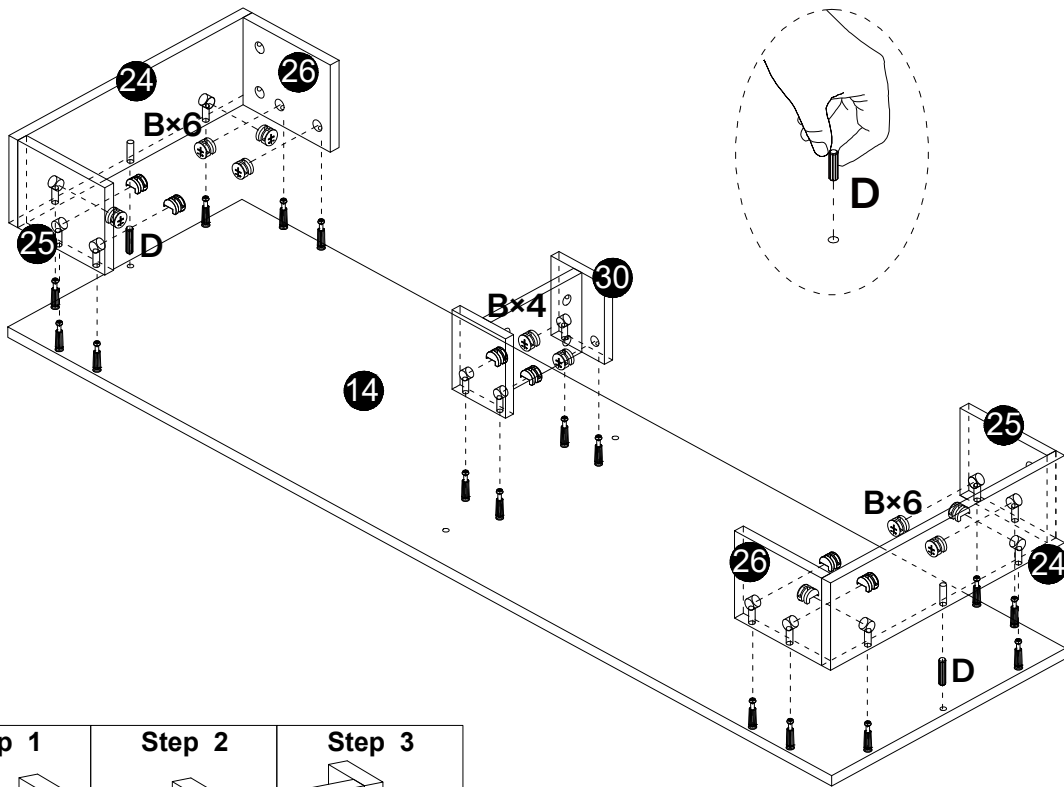
**27**



<b>B</b>

Ø15×12mm
12 pcs



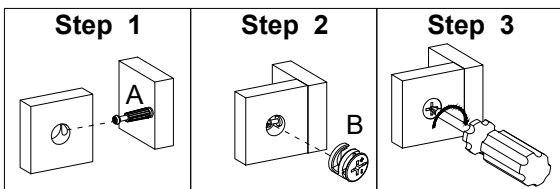
**28**



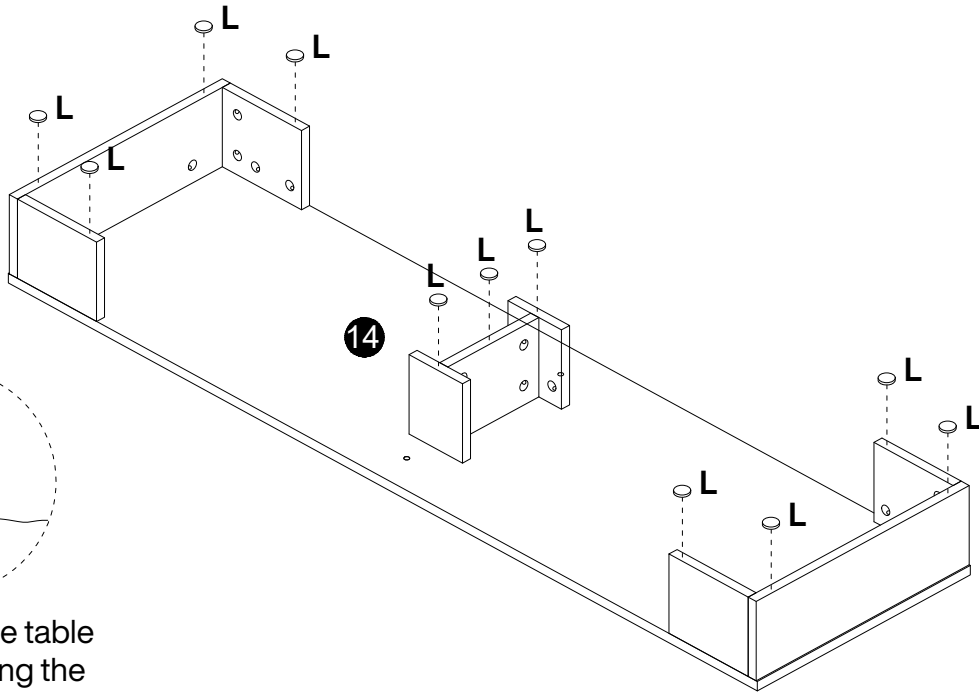
<b>B</b>

Ø15×12mm
16 pcs
<b>D</b>

Ø8×30mm
2 pcs



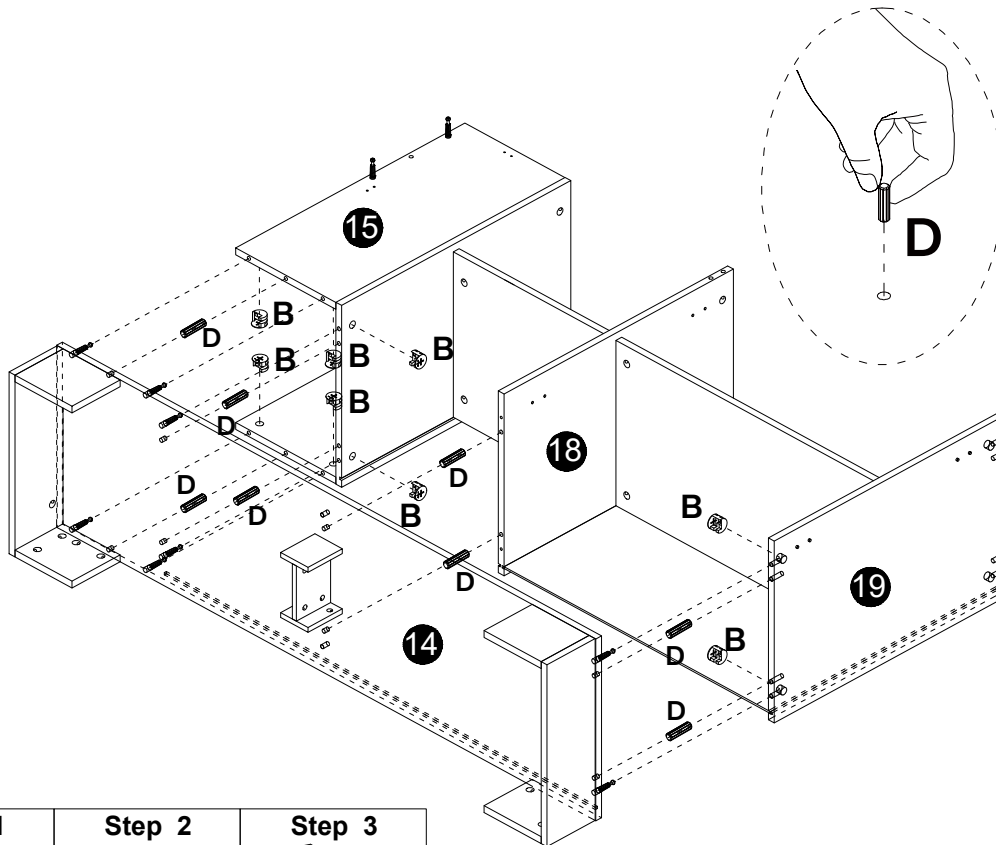
**29**



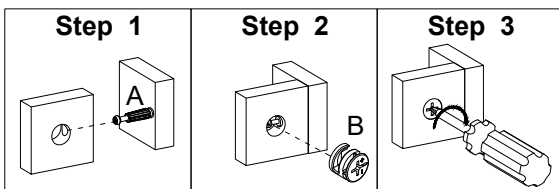
<b>L</b>
Ø15×2mm
11 pcs

To prevent the table from scratching the floor, please peel off the tape on the #L and tape them to the corners of the table before use.

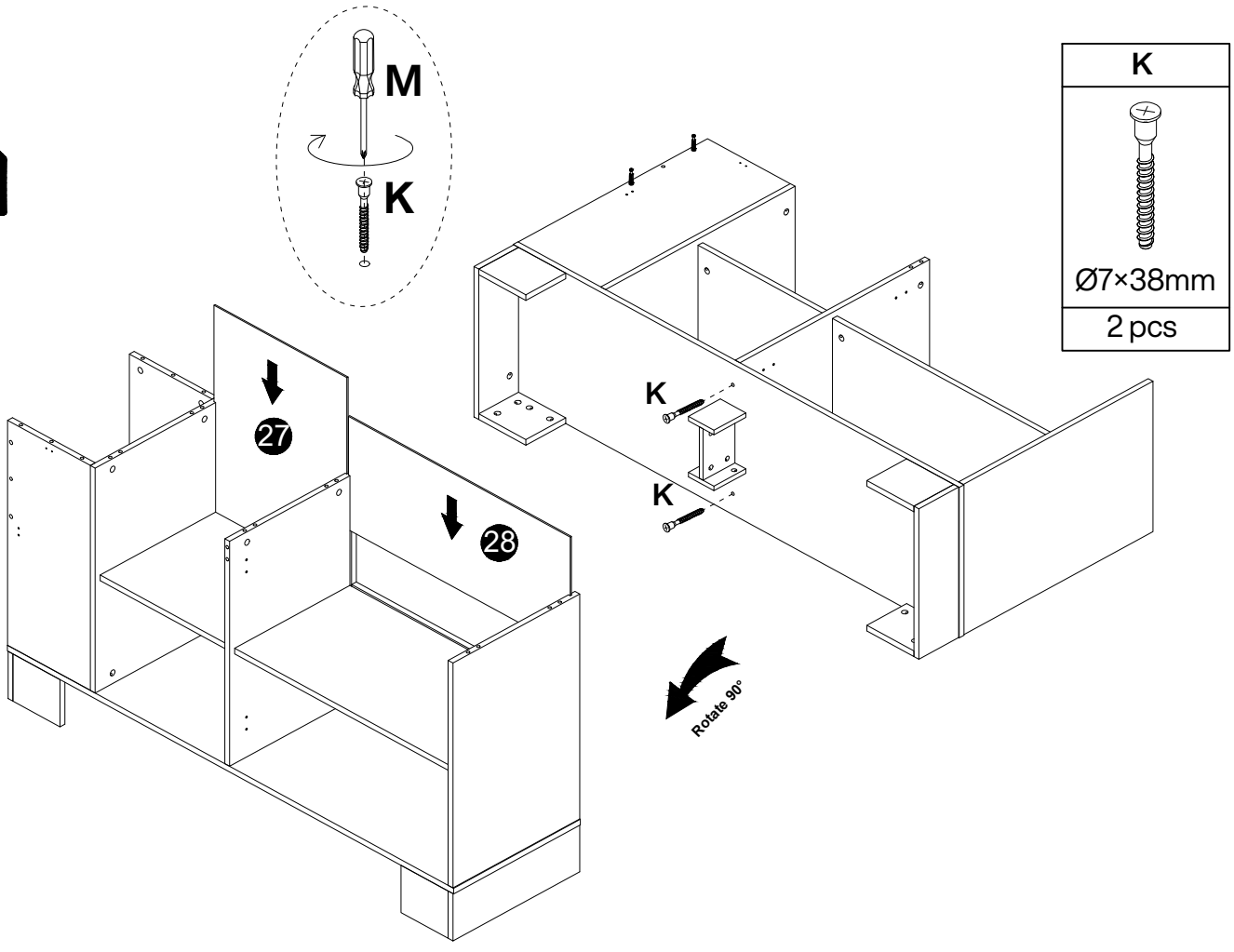
**30**



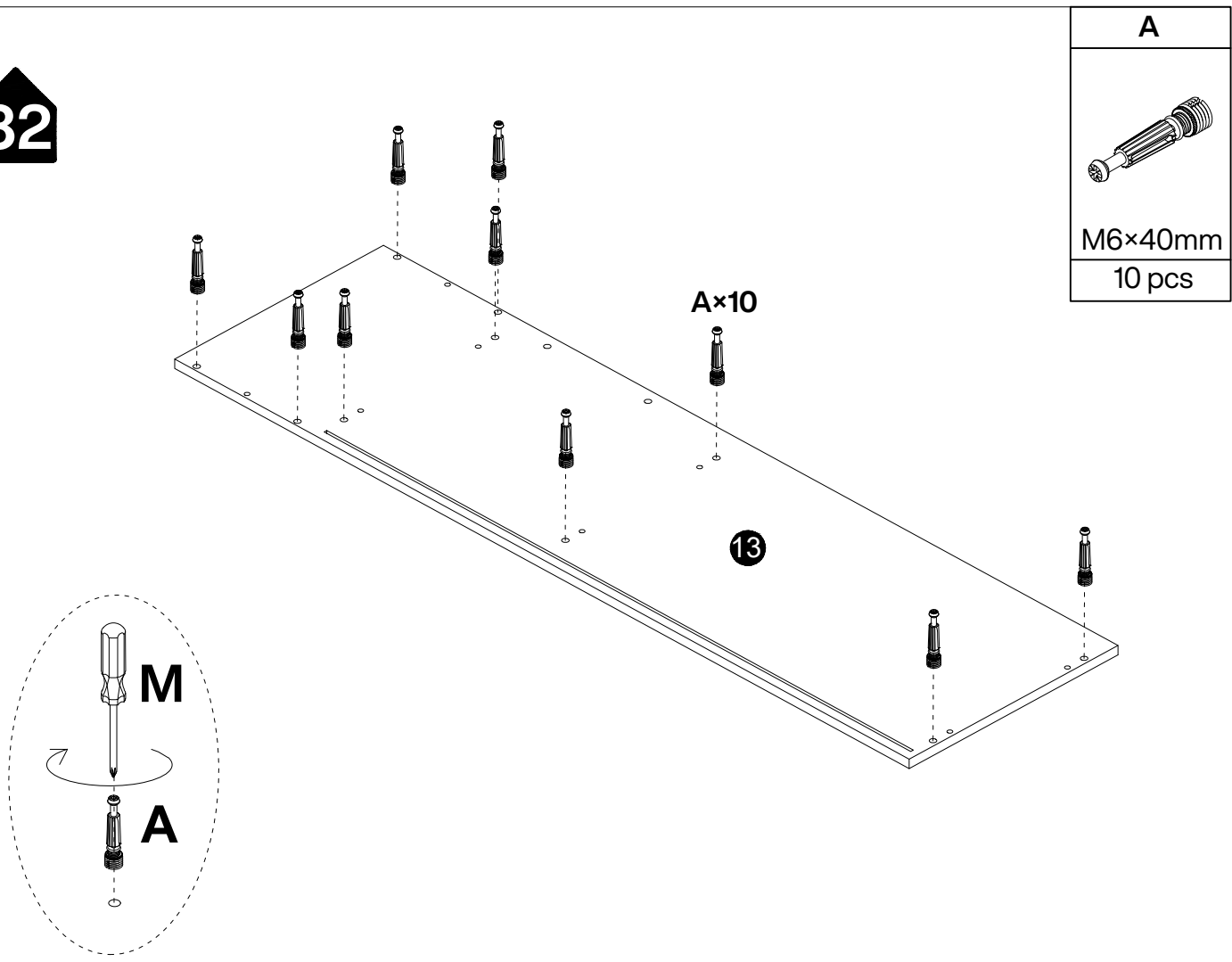
<b>B</b>
Ø15×12mm
8 pcs
<b>D</b>
Ø8×30mm
8 pcs



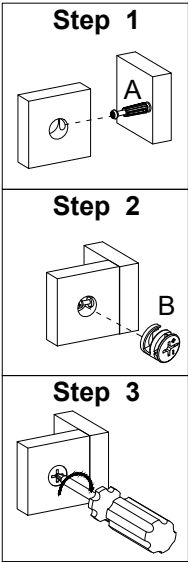
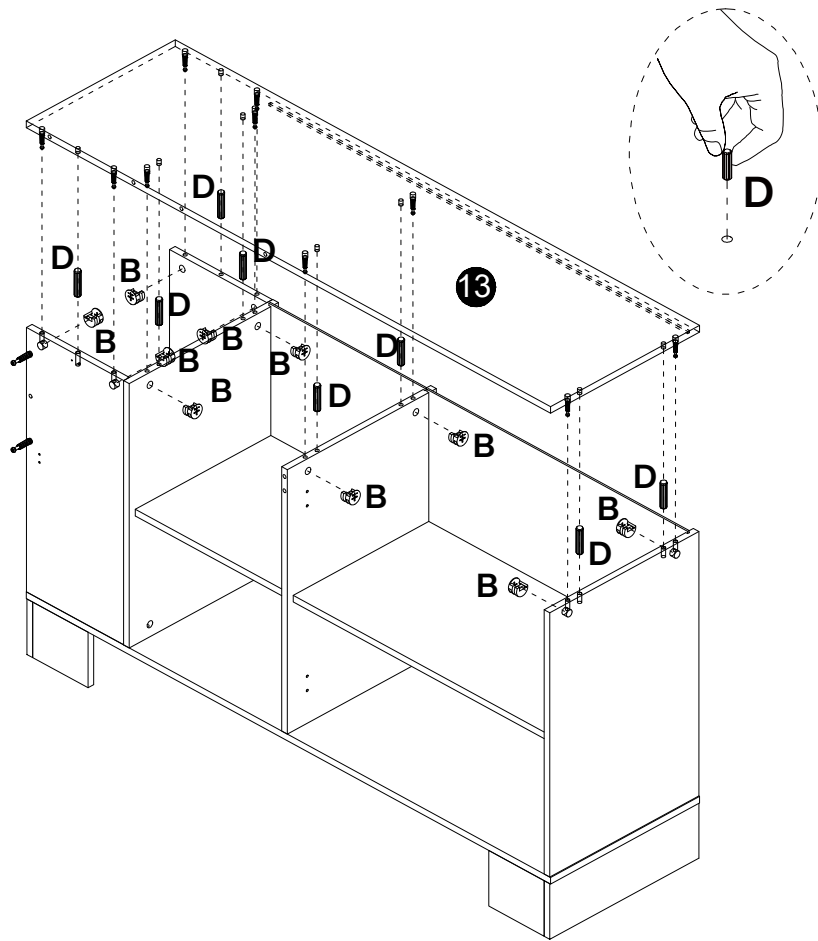
31

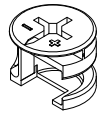
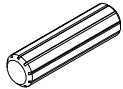


32

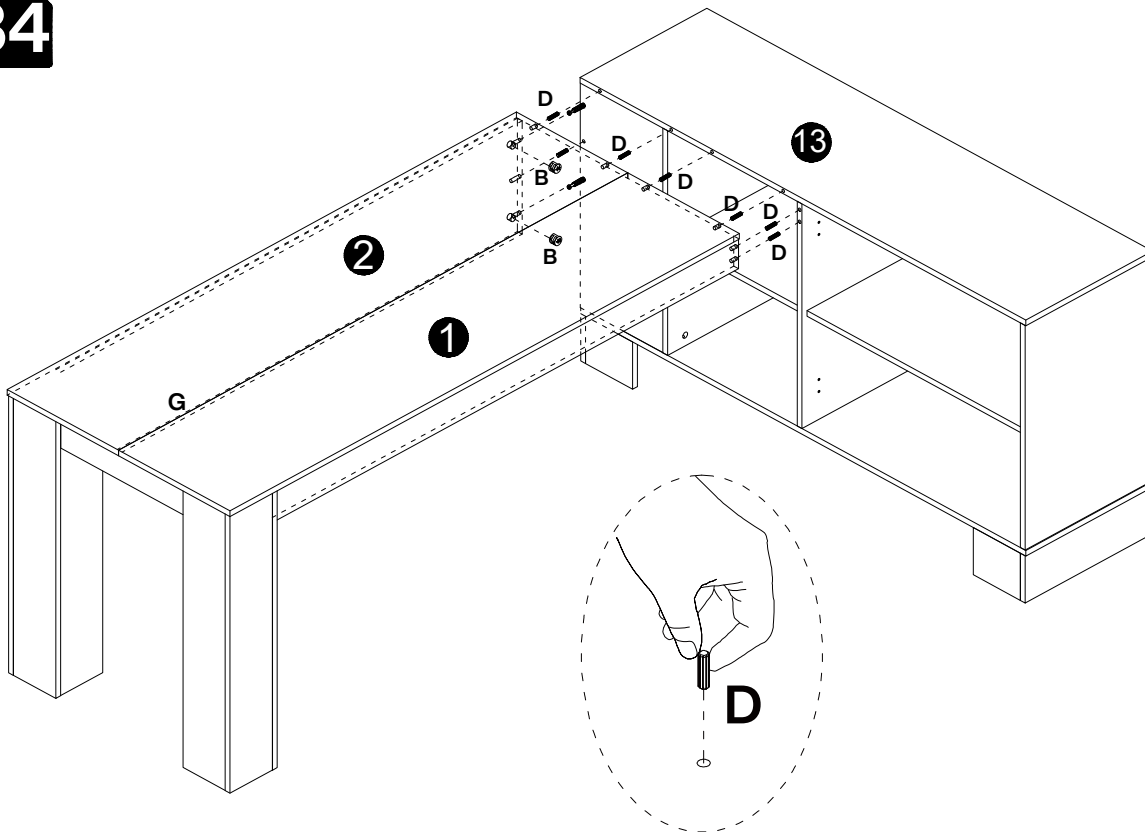


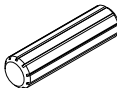
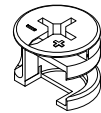
**33**



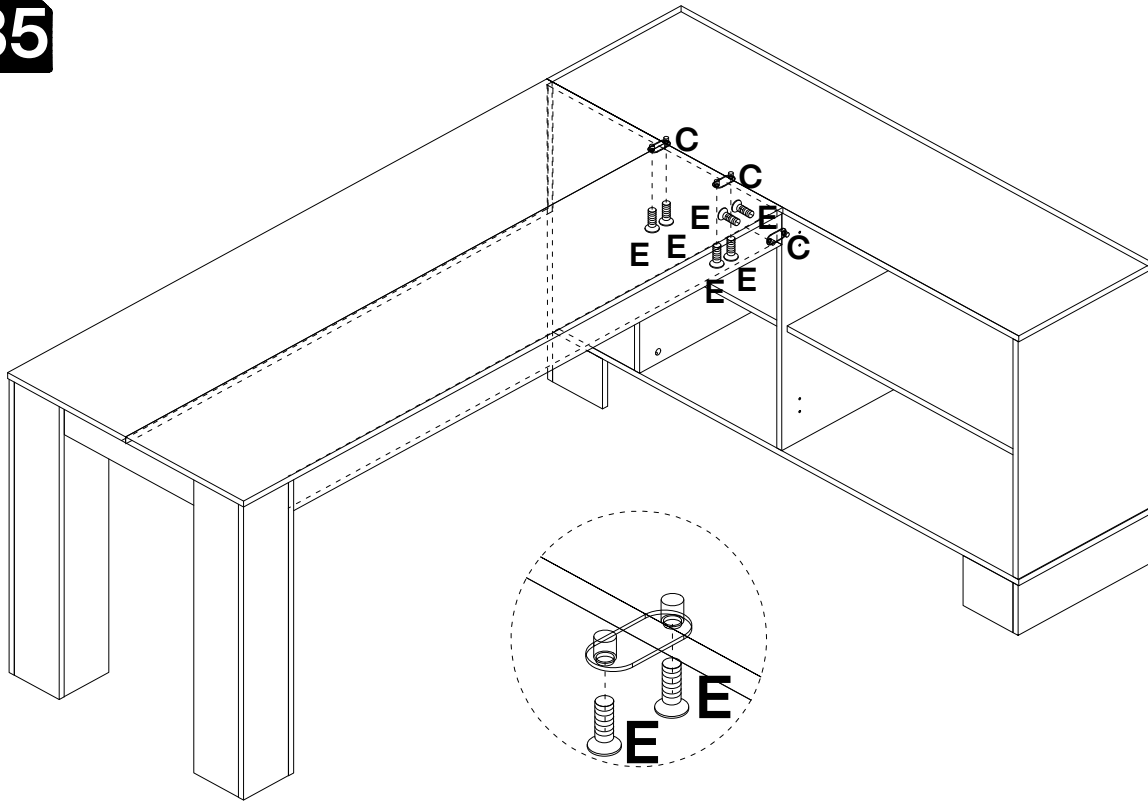
<b>B</b>

Ø15×12mm
10 pcs
<b>D</b>

Ø8×30mm
8 pcs

**34**

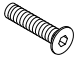
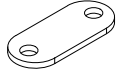


<b>D</b>

Ø8×30mm
7 pcs
<b>B</b>

Ø15×12mm
2 pcs

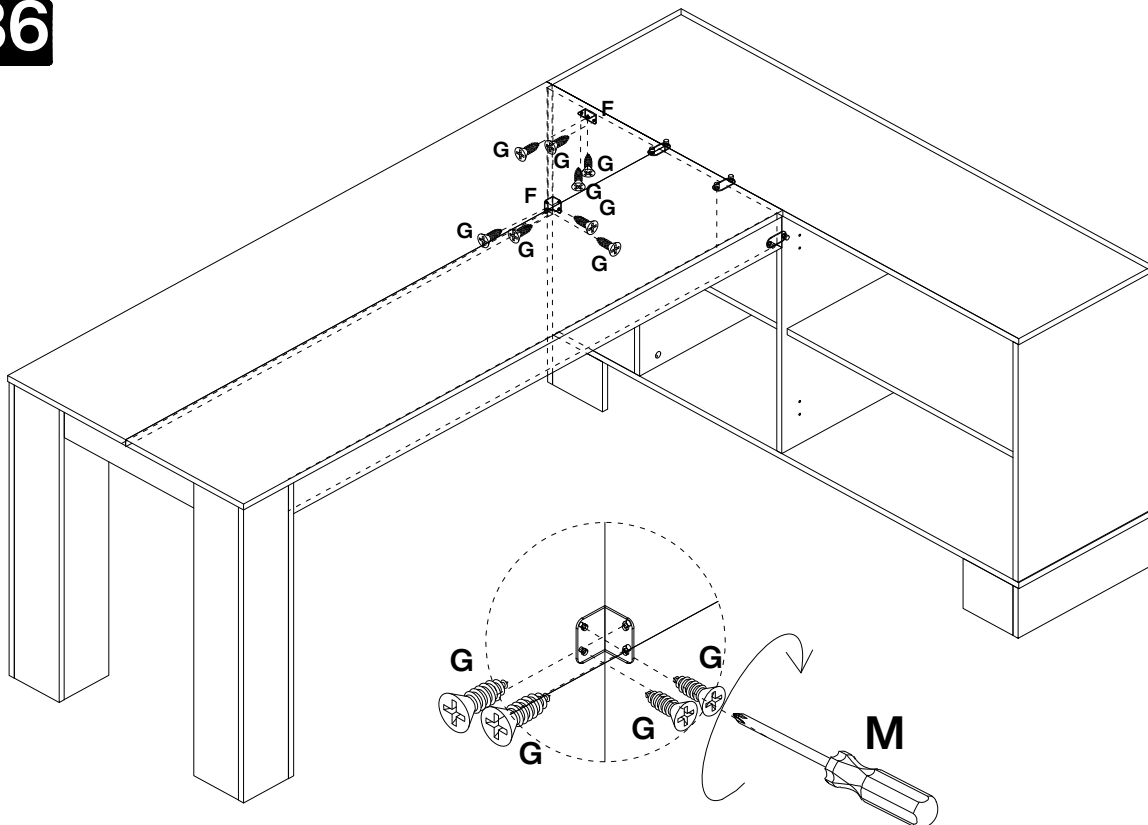
35

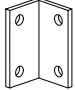
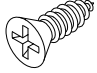


⚠ Screw M6×10mm

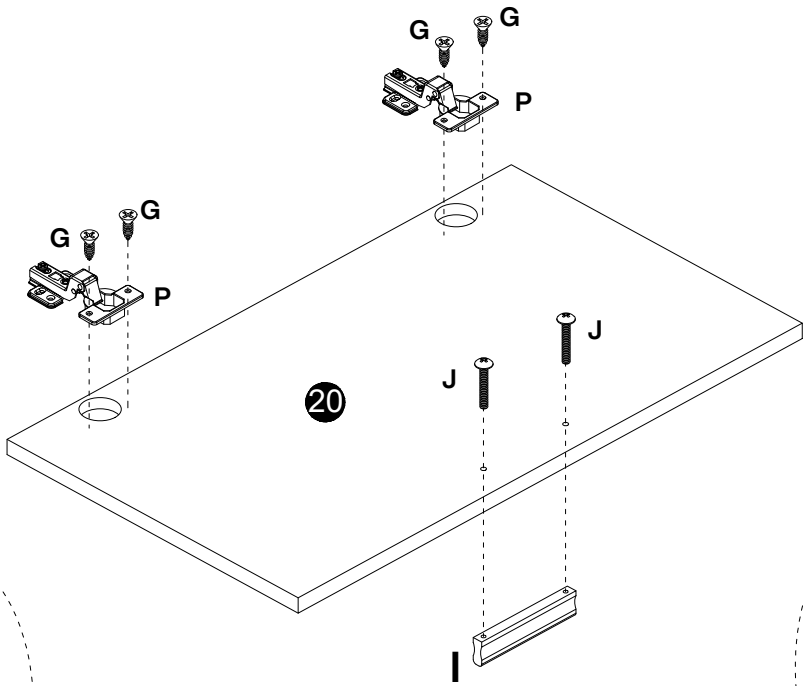
<b>E</b>

Ø6×10mm
6 pcs
<b>C</b>

3 pcs

36

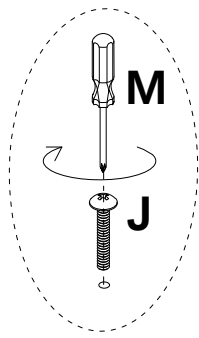
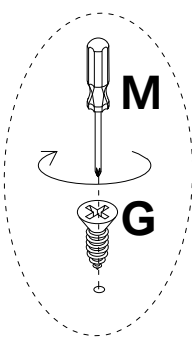


<b>F</b>

2 pcs
<b>G</b>

Ø3.5×14mm
8 pcs

**37**

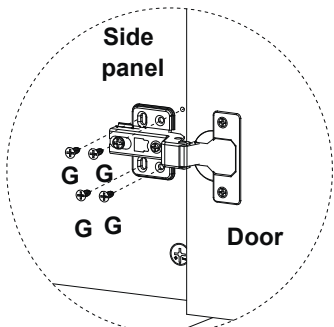
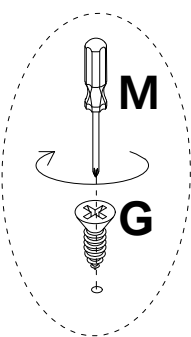
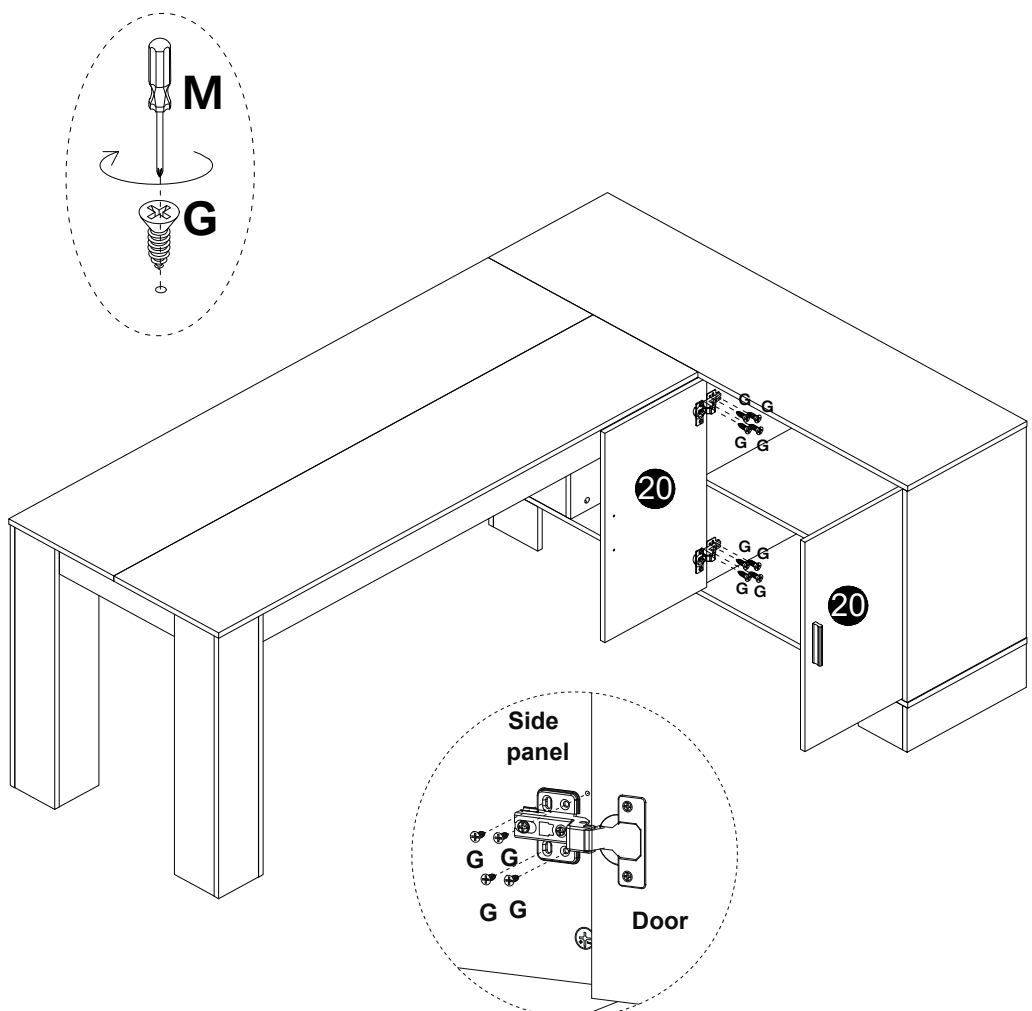


**x2**



<b>I</b>	<b>P</b>
2 pcs	4 pcs
	<b>G</b>
	Ø3.5x14mm
	8 pcs
	<b>J</b>
	Ø4x18mm
	4 pcs

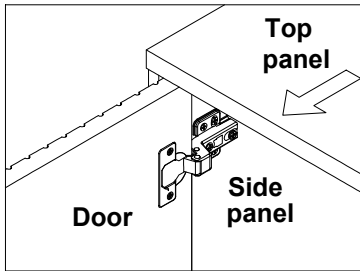
**38**



<b>G</b>
Ø3.5x14mm
16 pcs

## Step 1

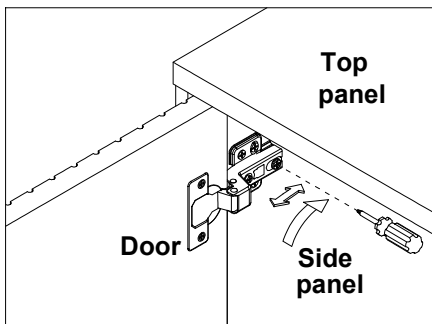
Open the door.



# ADJUST YOUR DOORS TO MAKE THE GAPS MORE EVEN (OPTIONAL).

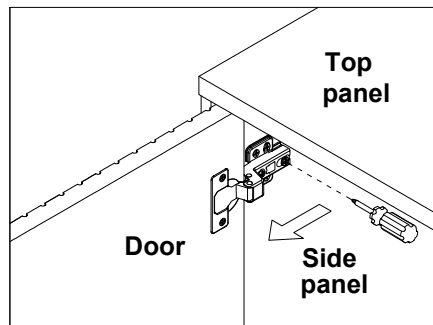
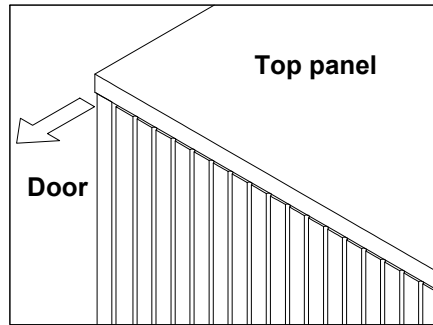
## Step 2

Adjust the door panel to be flush with side panel and top panel edge.



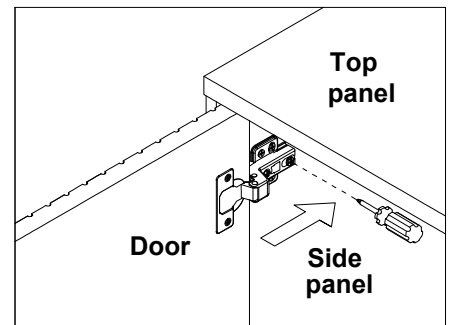
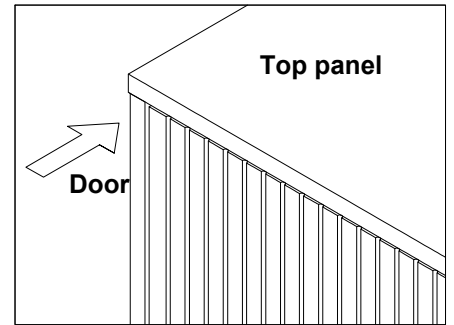
Loosen the screw indicated a little, adjust the hinge to the right position (see step 2a & 2b), then tighten the screw.

### Step 2a MOVE DOOR OUT



Pull the hinge forward a little.

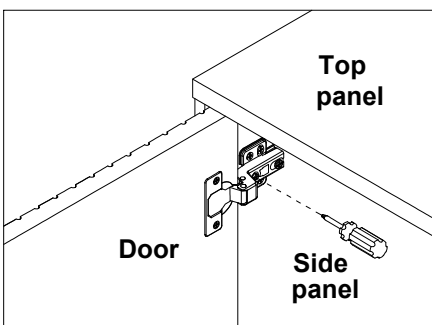
### Step 2b MOVE DOOR IN



Push the hinge back a little.

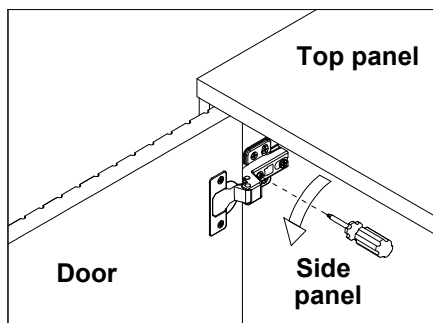
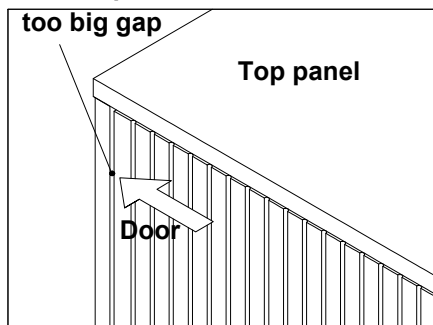
## Step 3

Adjust the gap between the door panel and the side panel.



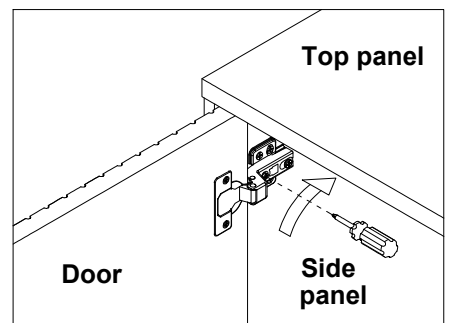
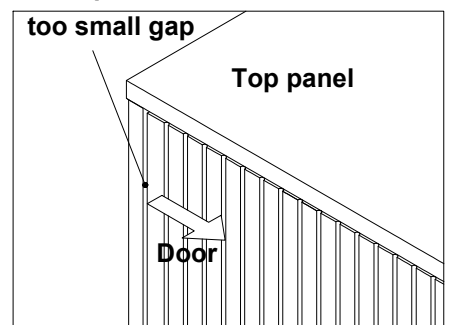
Loosen or tighten the screw indicated a little to adjust the gap between the door panels, adjust the hinge to the right position (see step 3a & 3b).

### Step 3a MOVE DOOR LEFT



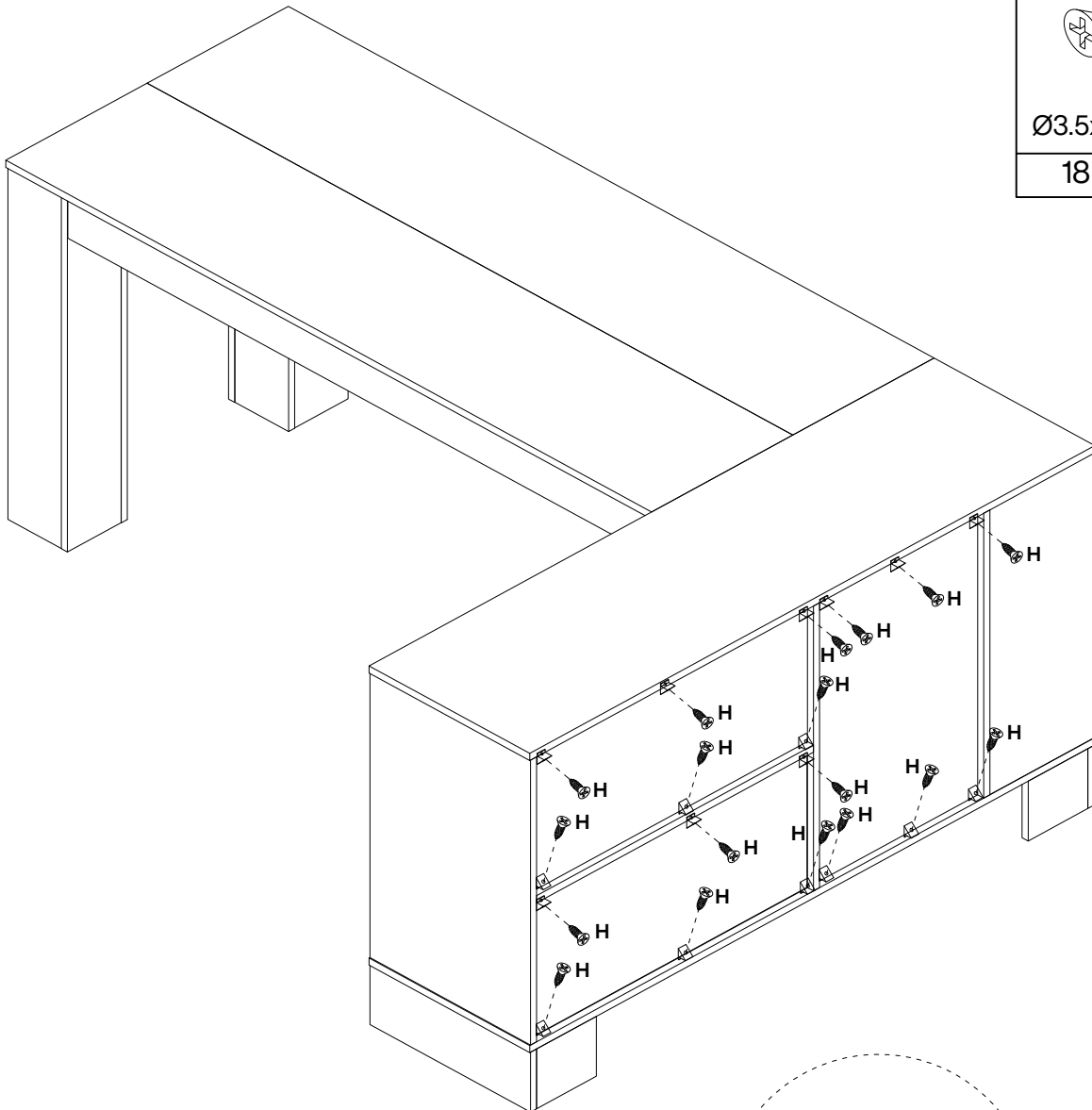
Turn the screw clockwise a little as shown to make the gap smaller

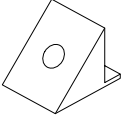
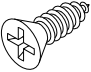
### Step 3b MOVE DOOR RIGHT

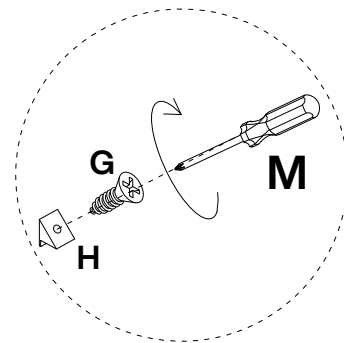


Turn the screw counterclockwise a little as shown to make the gap bigger

39



<b>H</b>

18 pcs
<b>G</b>

Ø3.5x14mm
18 pcs



**Thank you for your support!**

