

Owner Manual



NOTE: This brochure contains **IMPORTANT** safety info.
Please read and keep for future reference.

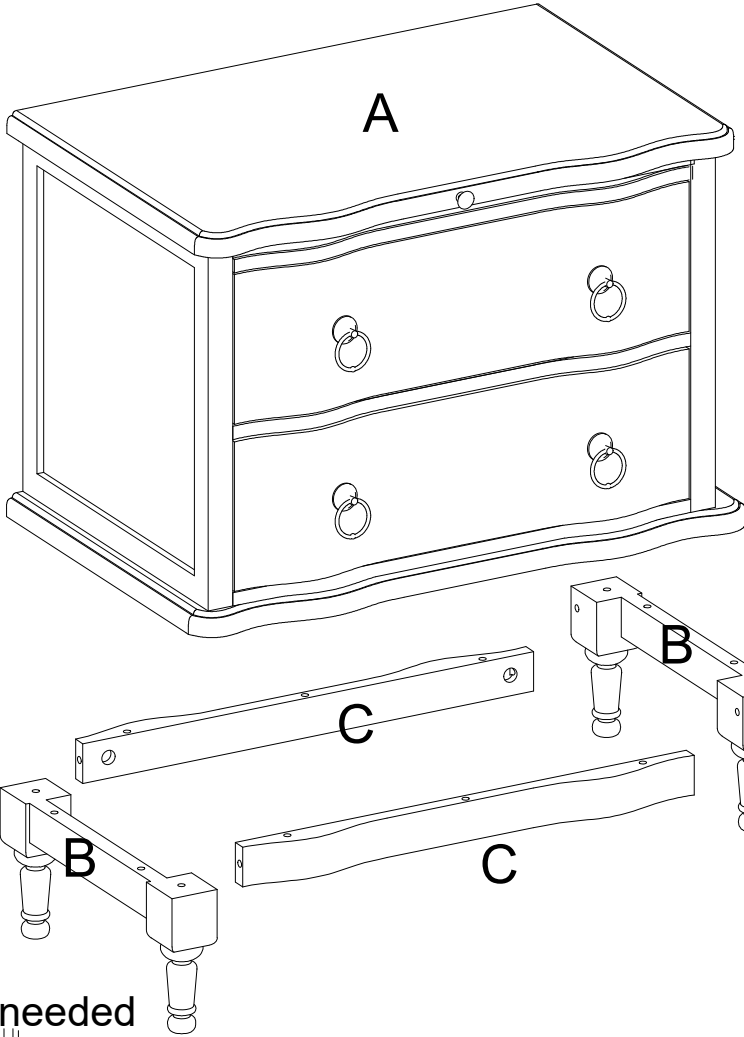
MAINTENANCE AND WARNING

1. We suggest you spend a short time reading through this leaflet and then follow the simple step-by-step instructions.
2. Carefully check that you have all the parts before beginning assembly.
3. Keep fittings out of children's reach and keep children well away from construction area
4. We suggest you retain these instructions for future reference.
5. Keep furniture away from heat sources.
6. Do not clean furniture with harsh cleaner or polishes.
7. Do not use detergents, solvents, abrasives, spray packs or leather cleaner.
8. Use non-color mild soap with warm water to clean spills (Mix 1:15 soap to water).
9. Do not place furniture under direct sunlight, material will possibly fade over time.
15. Do not use on site dry cleaning machine.
Children should not climb or jump on the furniture.
15. Do not write on furniture that is not protected by a padded barrier.
15. Not for commercial use, only for residential use.

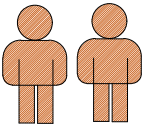
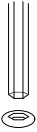


Weight Limitation
100 LBS

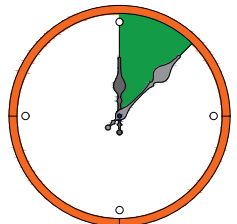
Exploded Diagram



Tools needed

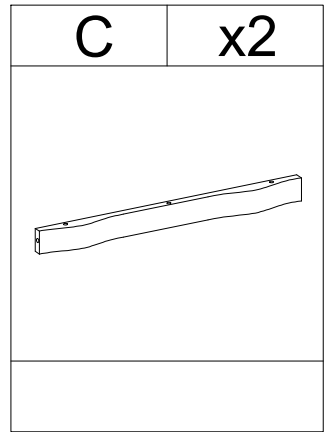
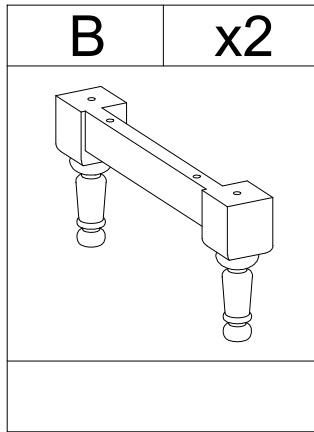
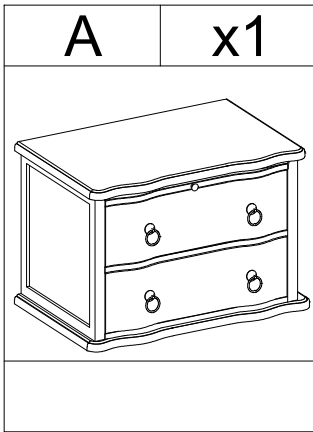


Two persons

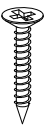
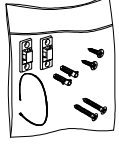






Around 30 min


PARTS LIST



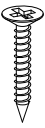


HARDWARE LIST

#1	x10	#2	x2	#3	x4	#4	x4	#5	x4	#6	x4
											

TOOL LIST

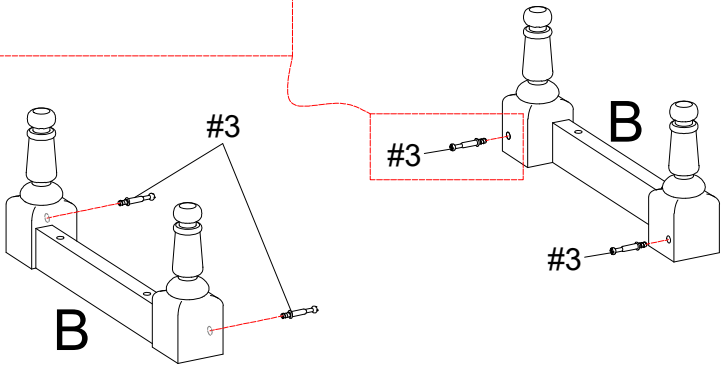
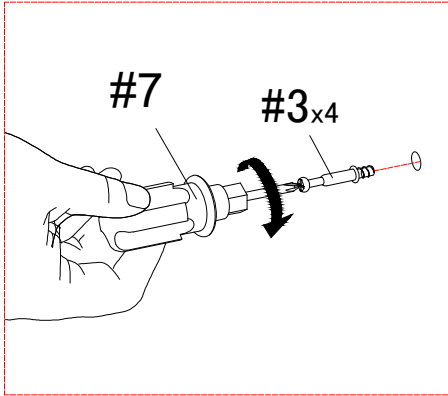
#7	x1
	


HARDWARE SPARE LIST


#1	x1	#3	x1	#6	x1
					

ASSEMBLY INSTRUCTIONS

STEP-1

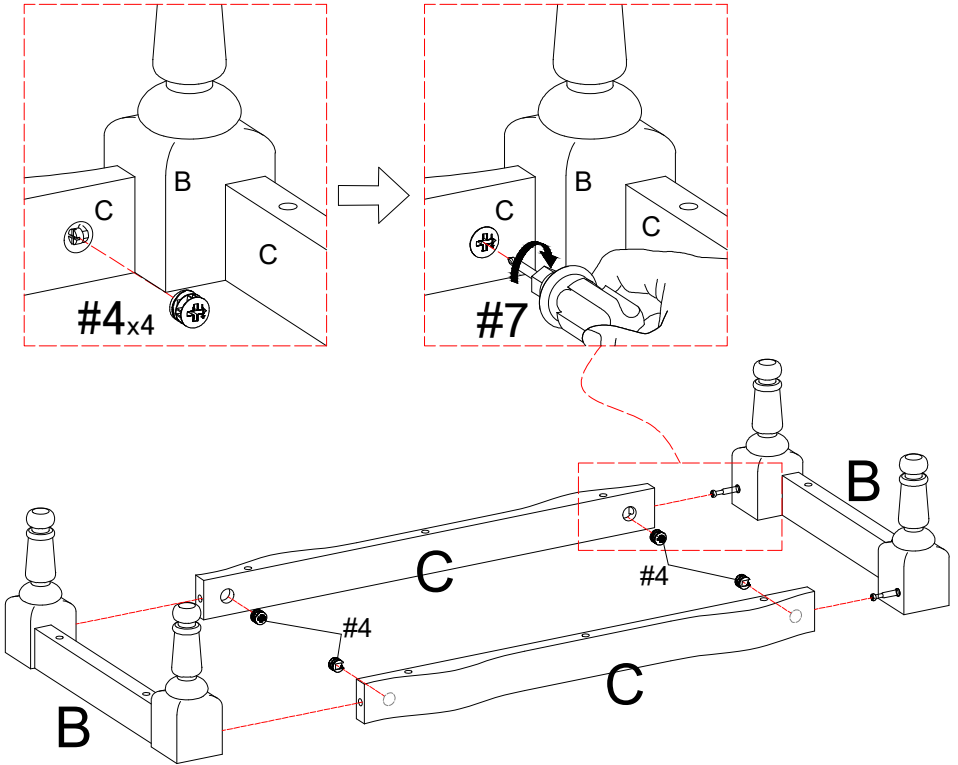



#3	x4
	


#7	x1
	

ASSEMBLY INSTRUCTIONS

STEP-2

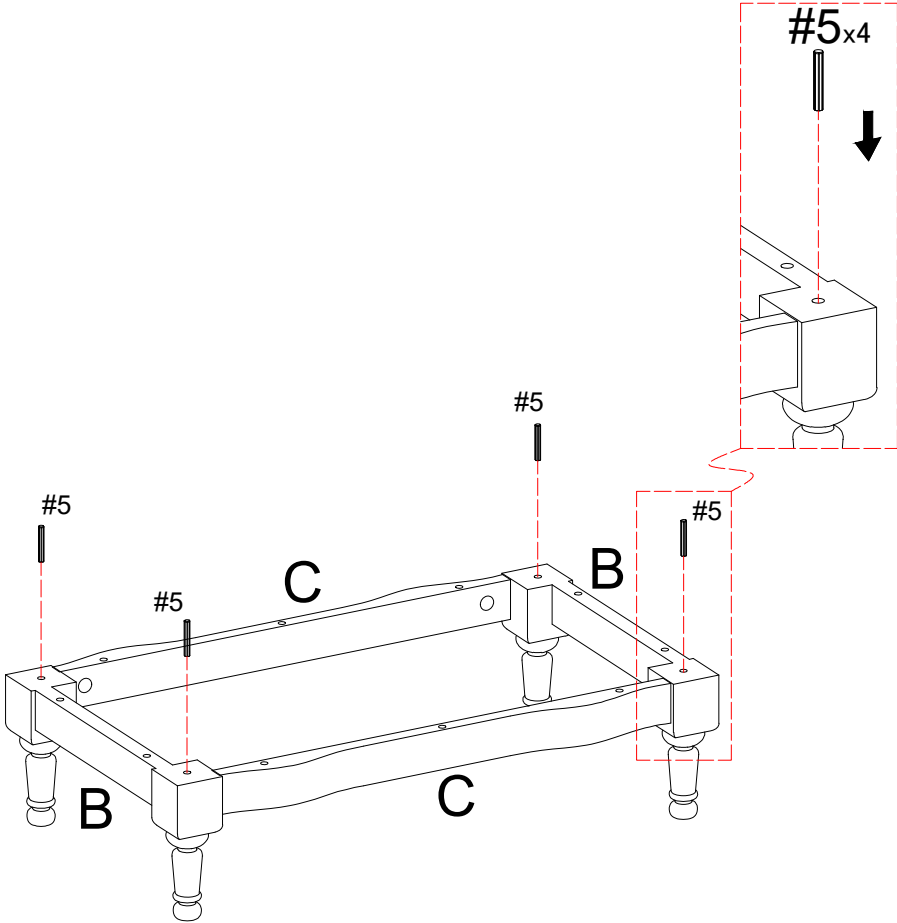



#4	x4
	

#7	x1
	

ASSEMBLY INSTRUCTIONS

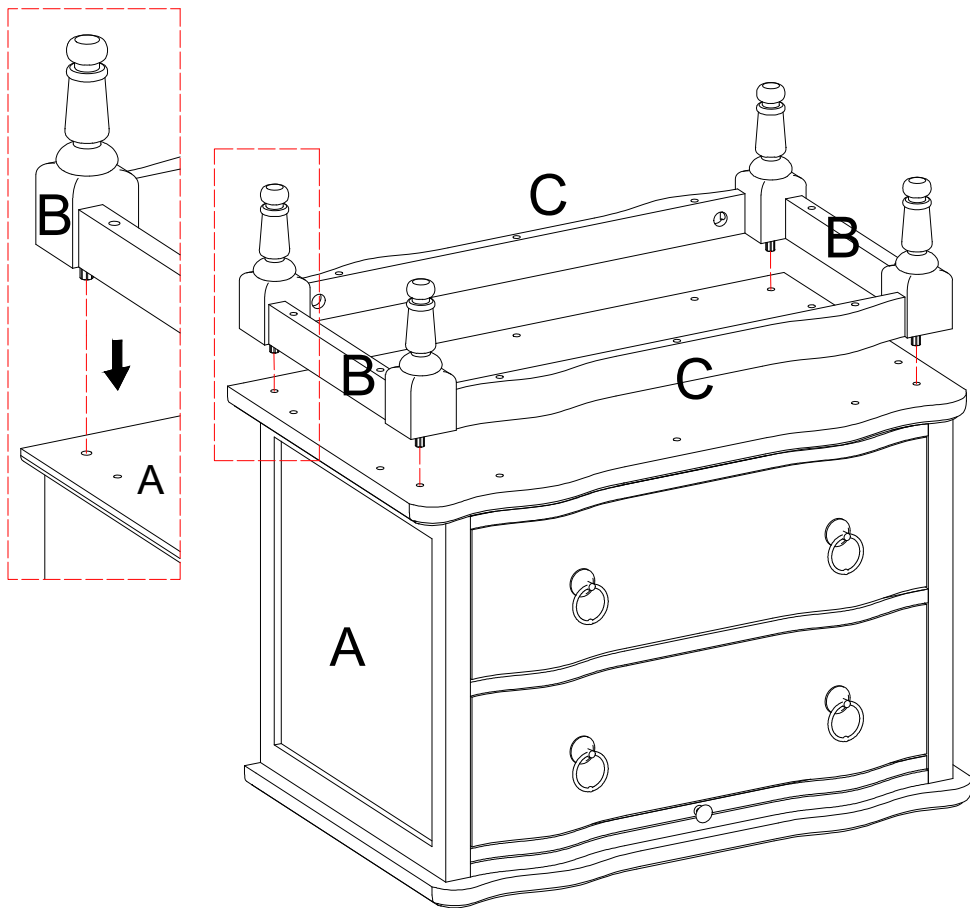
STEP-3



#5	x4
	

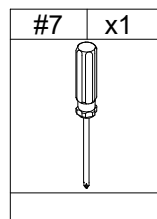
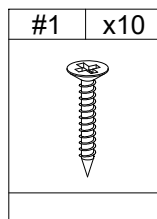
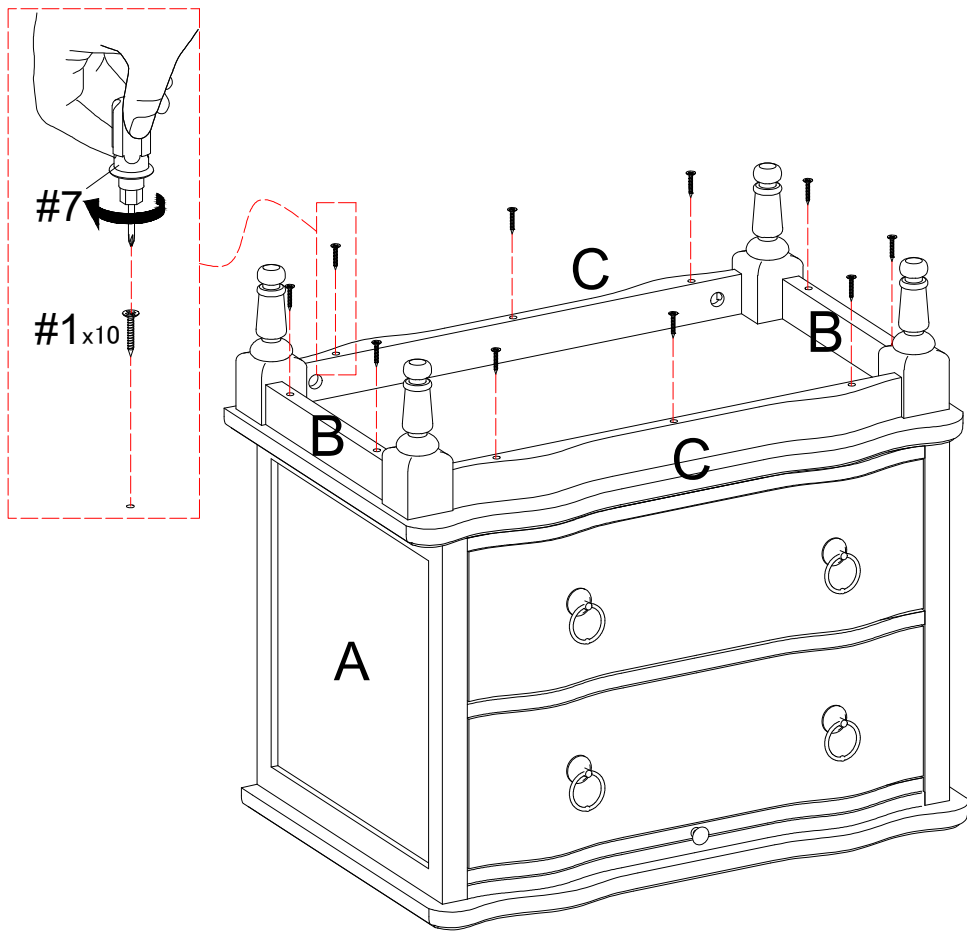
ASSEMBLY INSTRUCTIONS

STEP-4



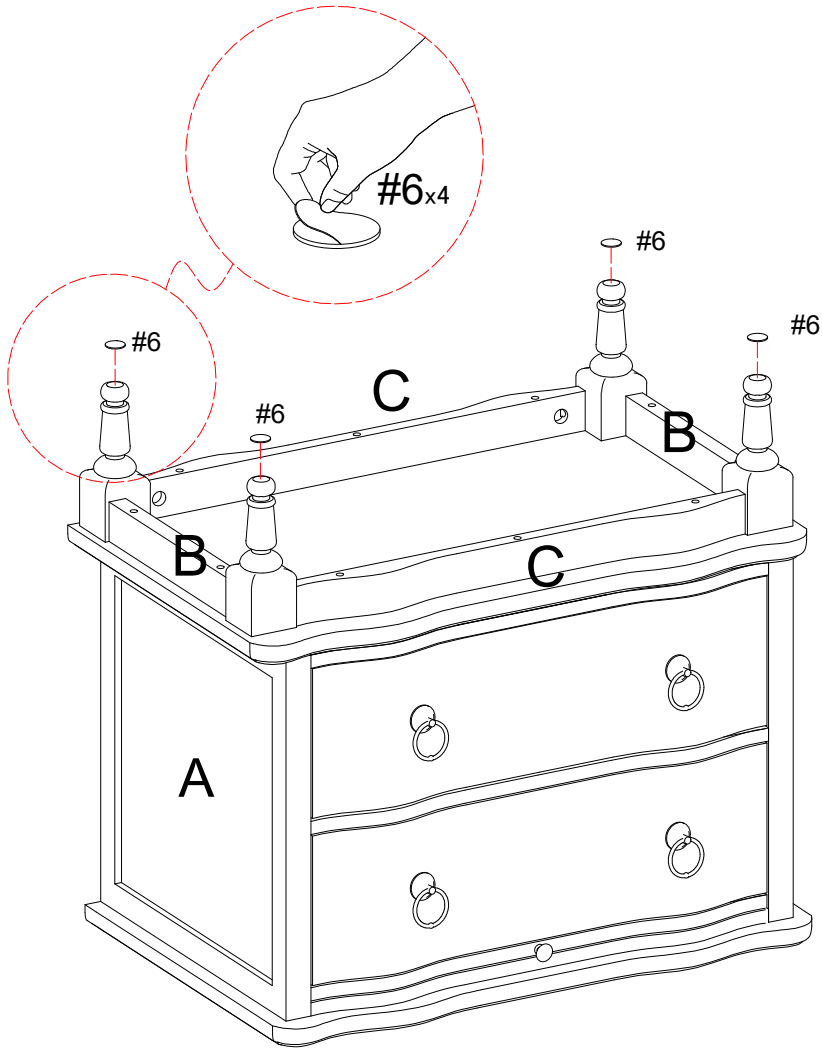
ASSEMBLY INSTRUCTIONS


STEP-5







ASSEMBLY INSTRUCTIONS

STEP-6



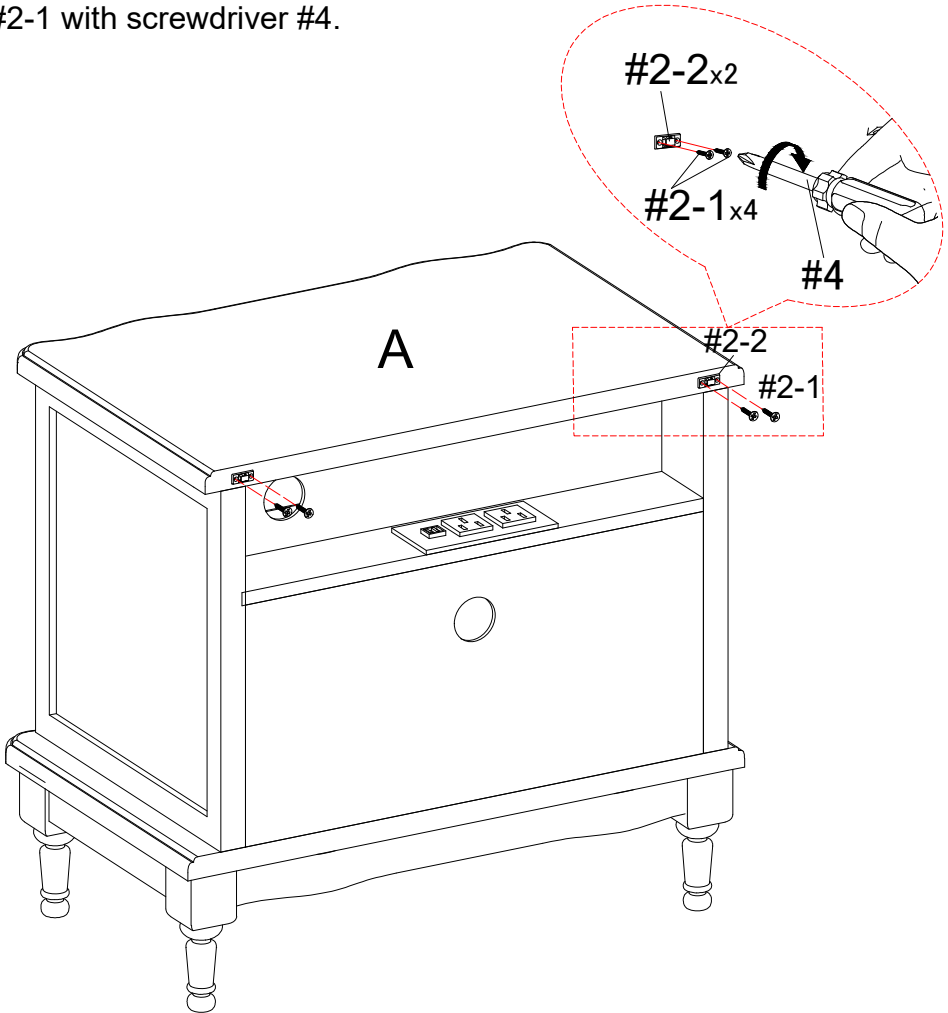
#6	x4
	

ASSEMBLY INSTRUCTIONS


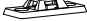



#2	x2	#2-1	x4	#2-2	x2	#4	x1
							
		M3.5*14mm					

STEP-7

Use screw #2-1 to attach plastic bracket#2-2 to panel (A),tighten screw #2-1 with screwdriver #4.

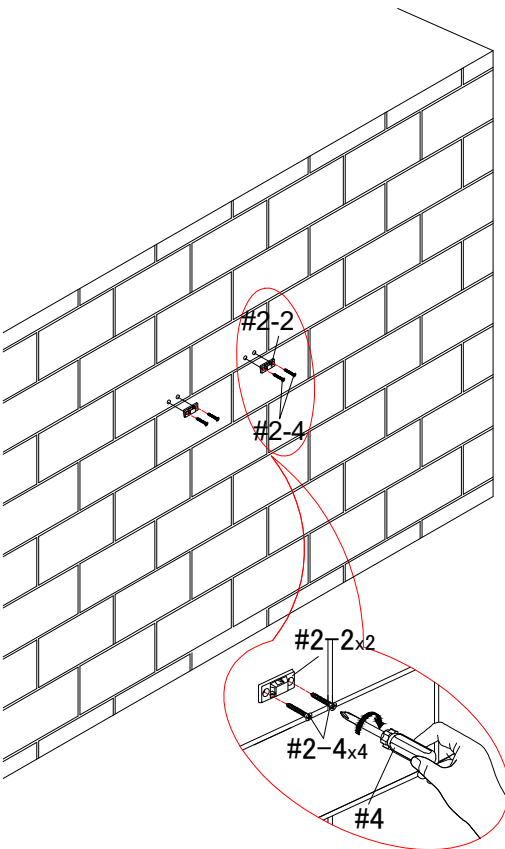


ASSEMBLY INSTRUCTIONS

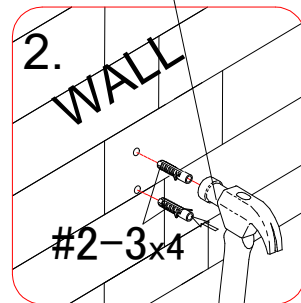
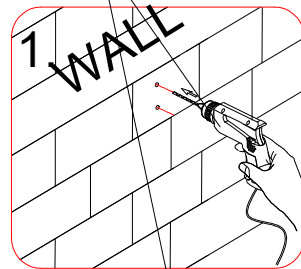
#2	x2	#2-2	x2	#2-3	x4	#2-4	x4	#4	x1
									
						M4*35mm			

STEP-8

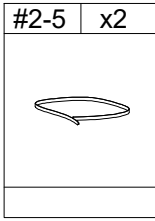
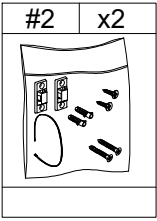
1. Mark the position on the wall, that corresponds to the location of bracket #2-2 on the panel A; Drill and insert the expandable screw #2-3 by hammer.
2. Assemble the bracket #2-2 to the wall. Align the hole in the bracket #2-2 with the expandable screw #2-3, use screw #2-4 to attach it, tighten screw #2-4 with screwdriver #4.



NOT PROVIDED

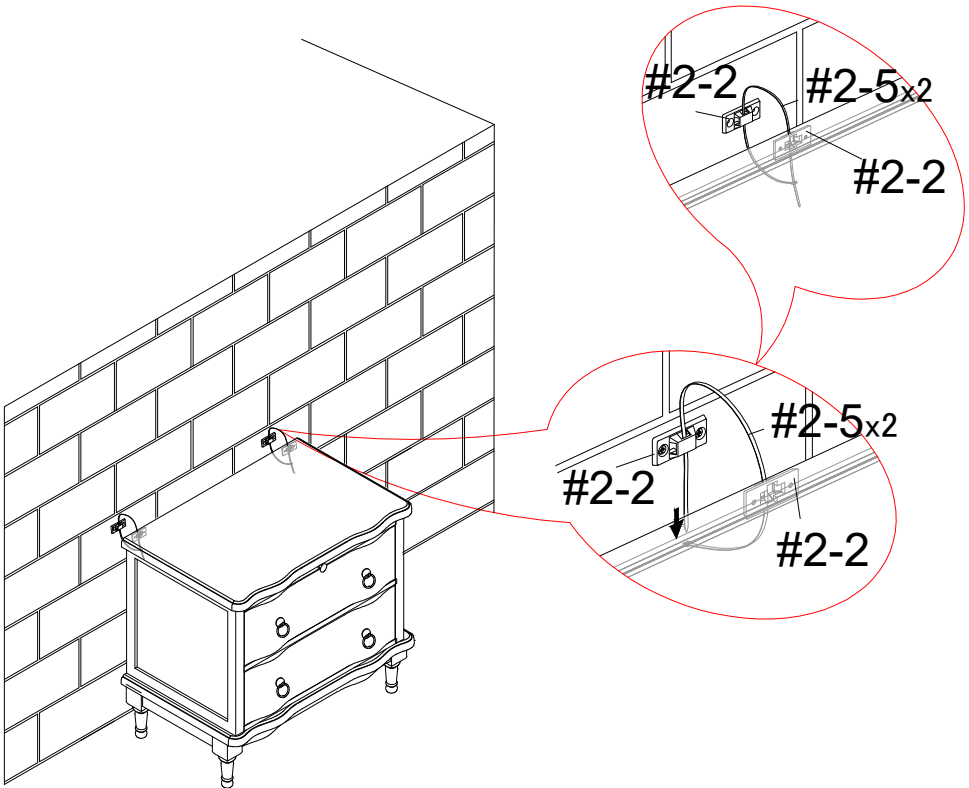


ASSEMBLY INSTRUCTIONS



STEP-9

3. Let the plastic belt #2-5 pass through bracket #2-2 and pull tightly.



WARRANTY

1. We strive to offer high-quality products, and we also try our best to satisfy each and every customer that orders from us with product or service as needed.
2. We provide 30 days warranty starting from the time you receive the item. Each customer must provide a record of their order such as the order number, or item receipt for any items that are out of the warranty period you may also still receive.
3. Replacement parts by purchasing them with our company if they are available.

For return, please check the return policy with the retailer or market place you bought from.

Appreciate your purchasing from us.
Pop up your life by our furniture piece!