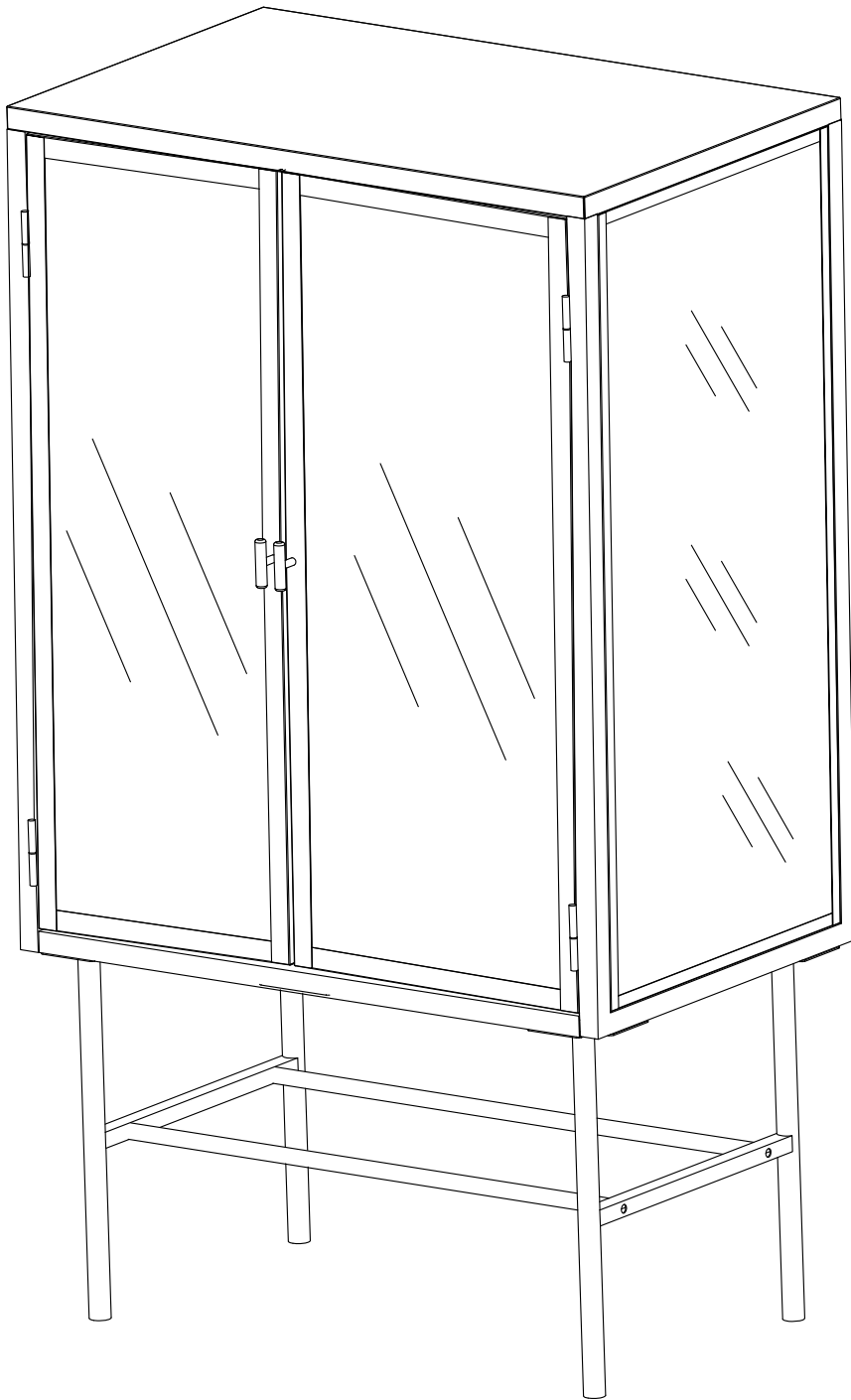
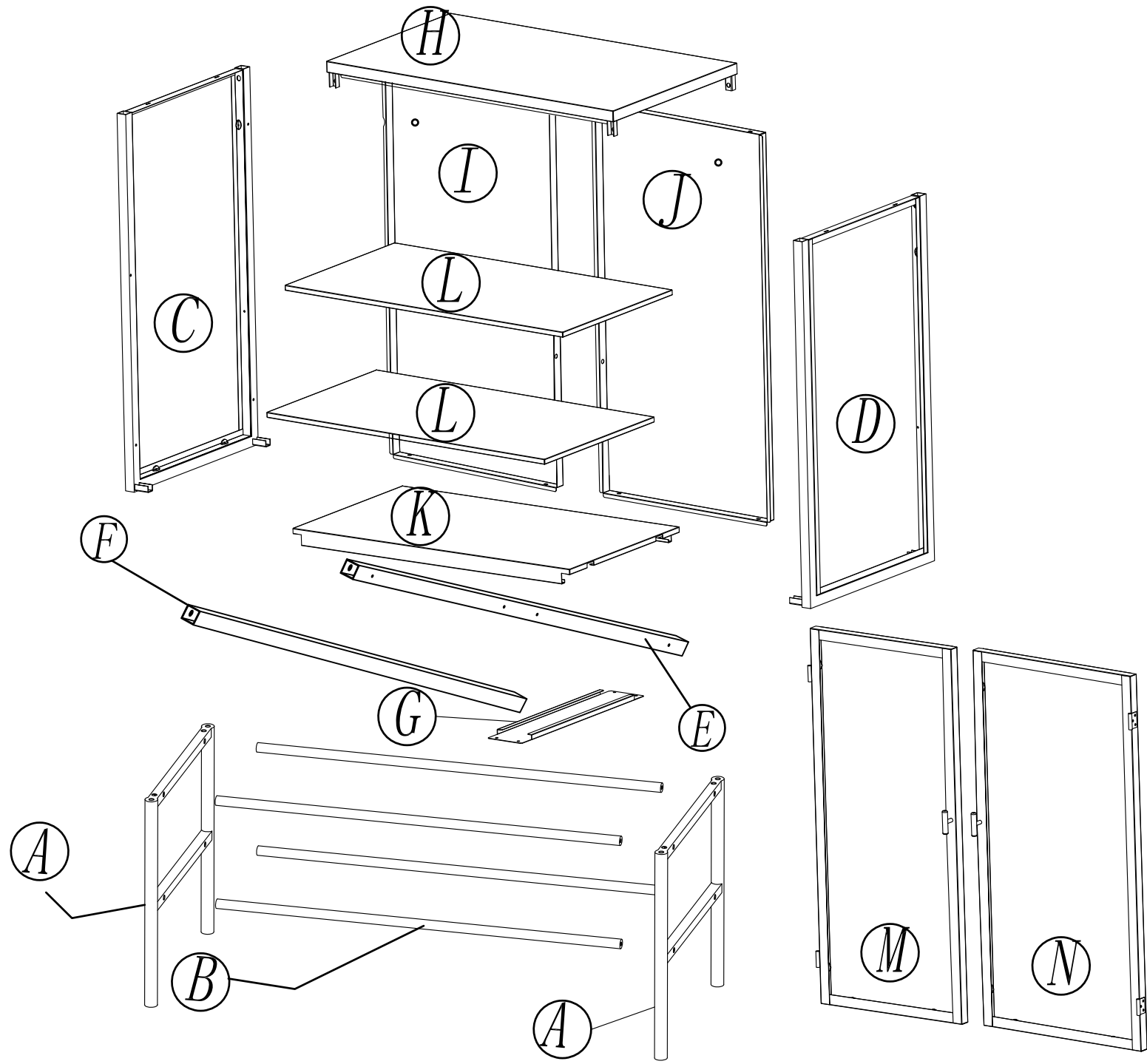
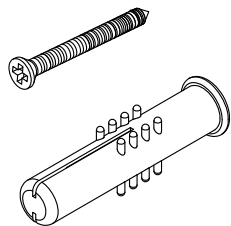


Assembly Instructions





a



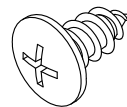
2pcs

b



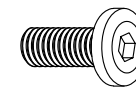
M6*30
8pcs

c



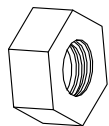
M5*12
24pcs

d



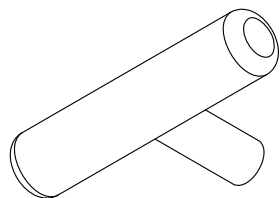
M6*10
18pcs

e



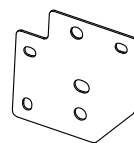
M6
2pcs

f



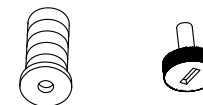
2pcs

g



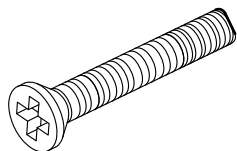
4pcs

h



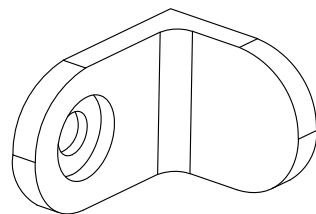
4pcs

i



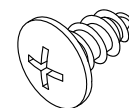
M4*25
2pcs

j



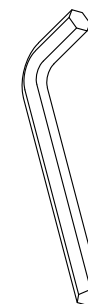
8pcs

m



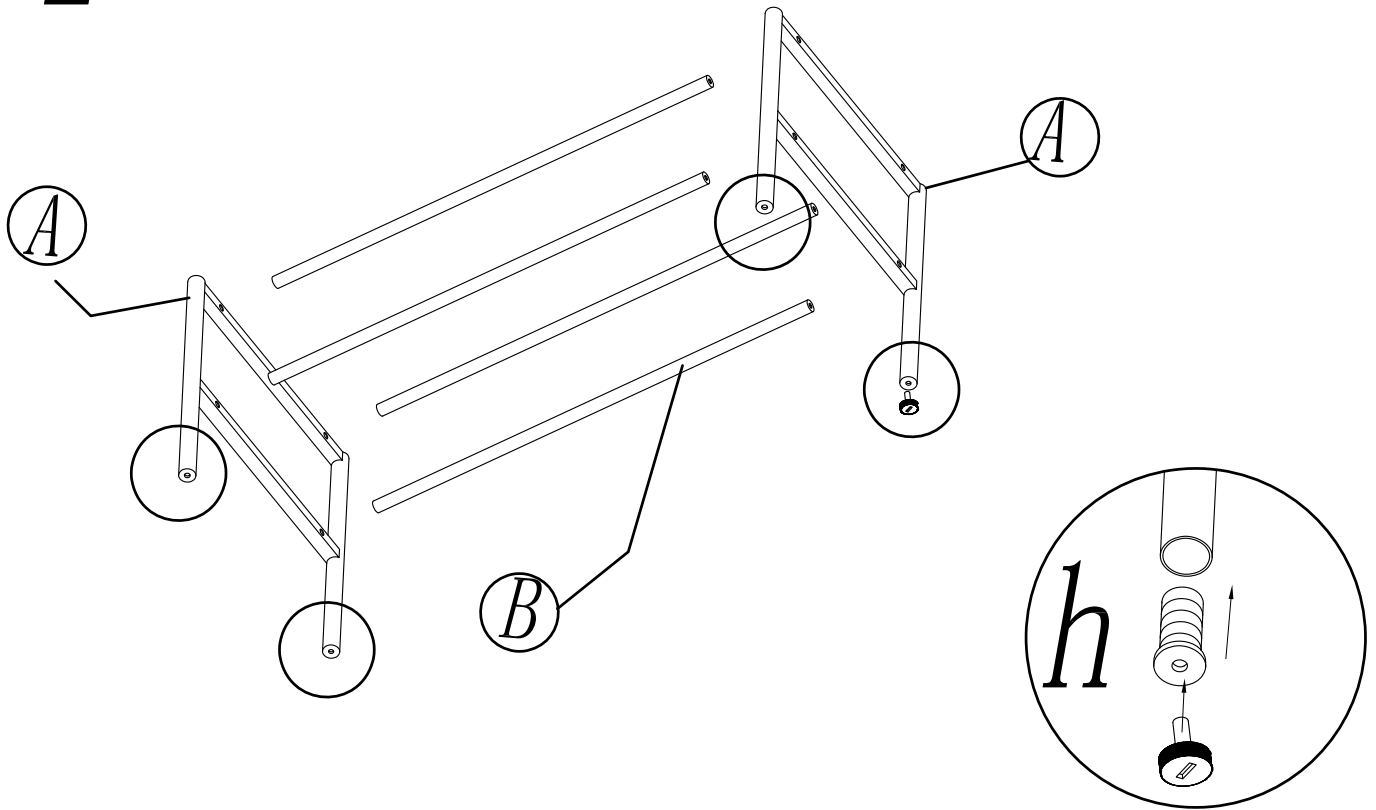
M4*10
8pcs

n



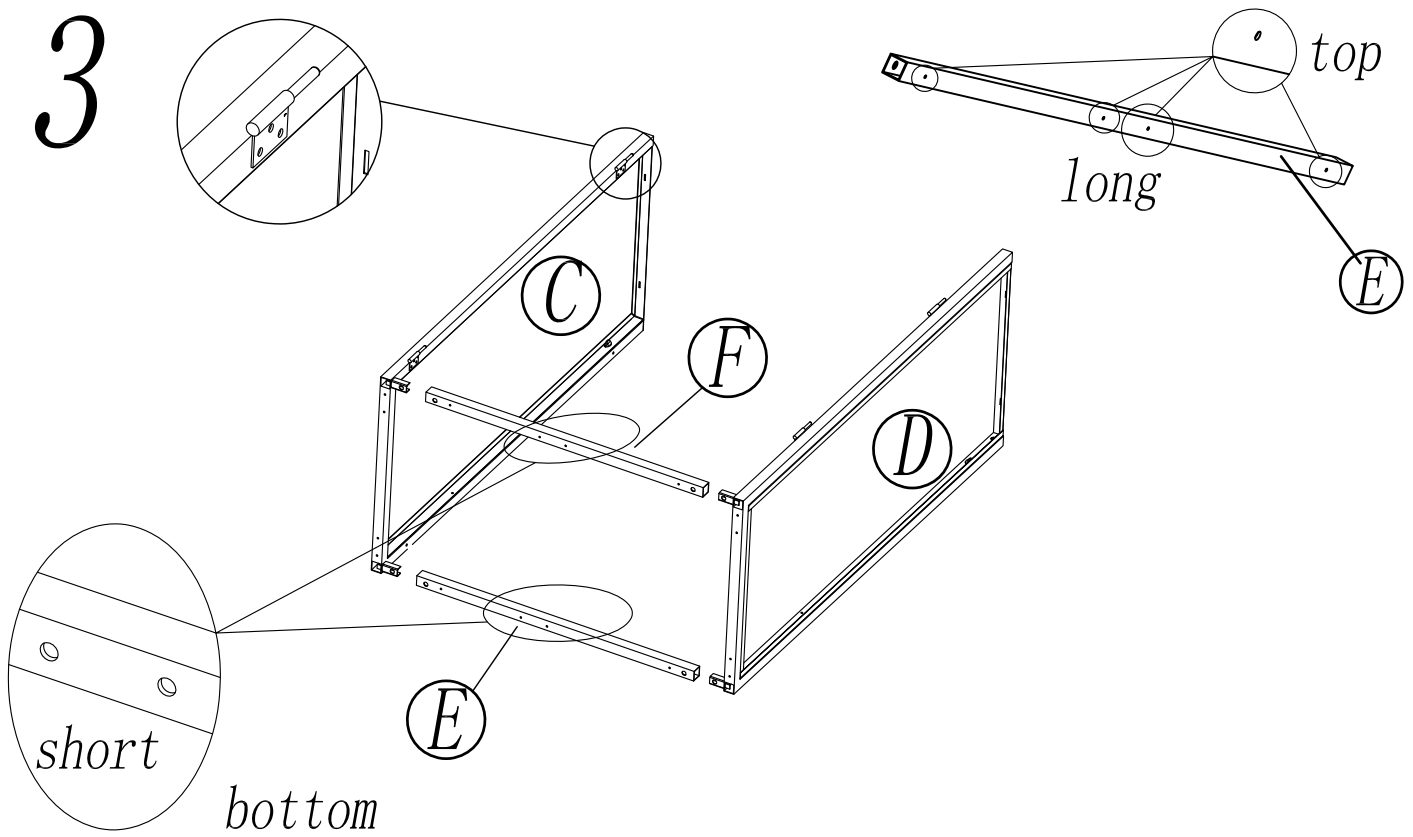
1pcs

1

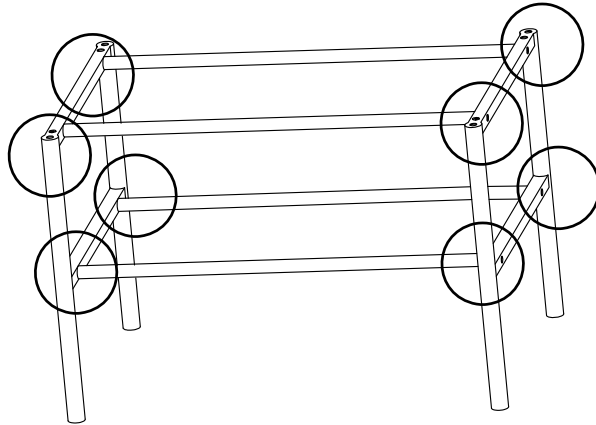
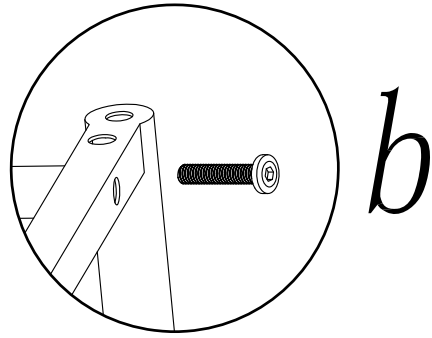


$h*4$

3

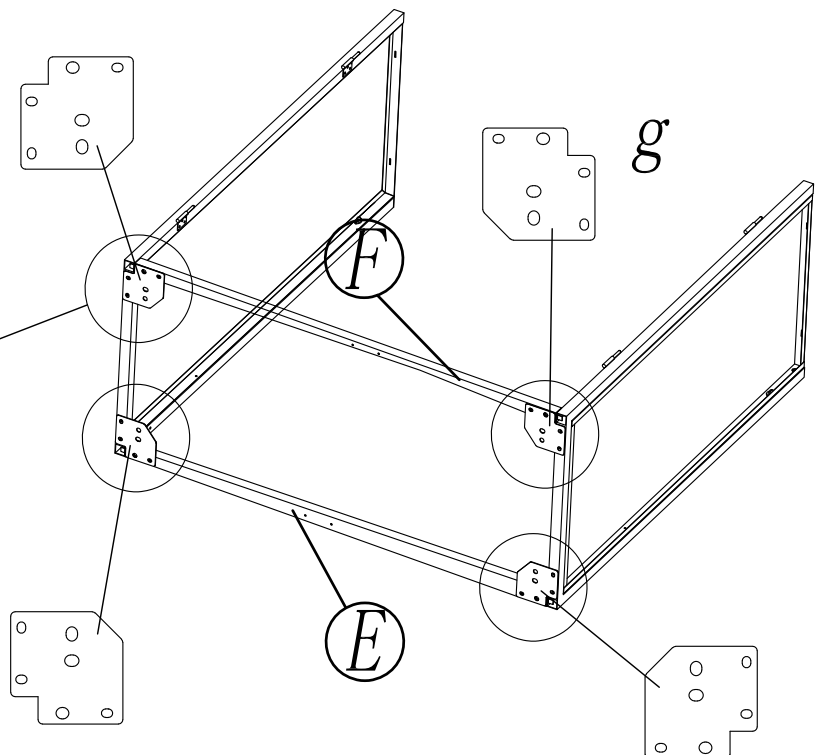
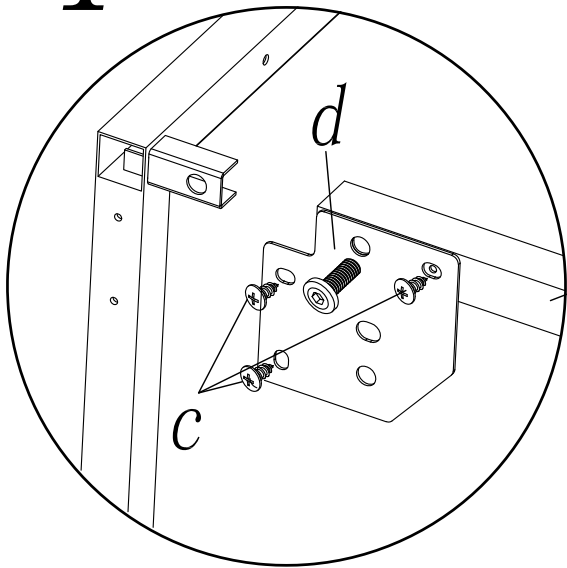


2



*b*8* *n*1*

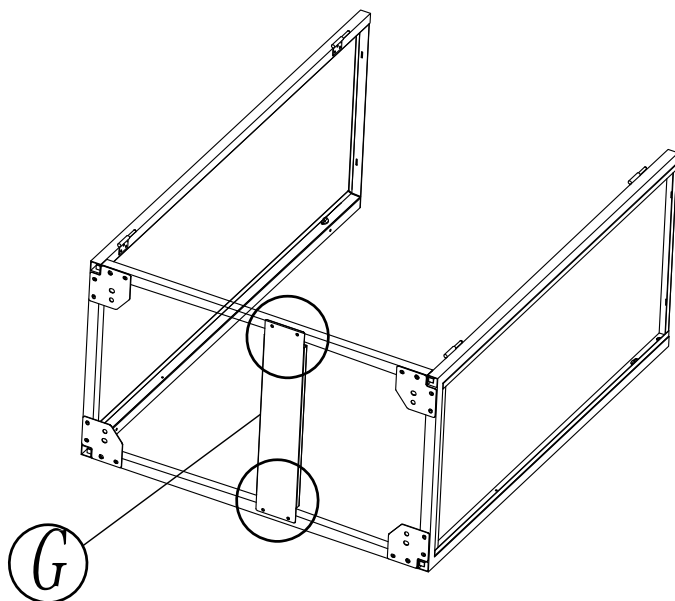
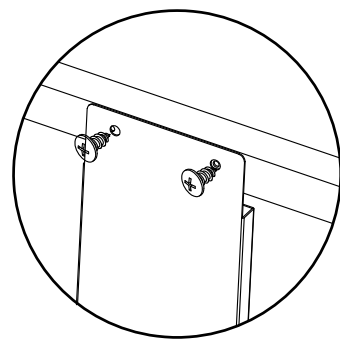
4



*c*12* *d*4* *n*1* *g*4*

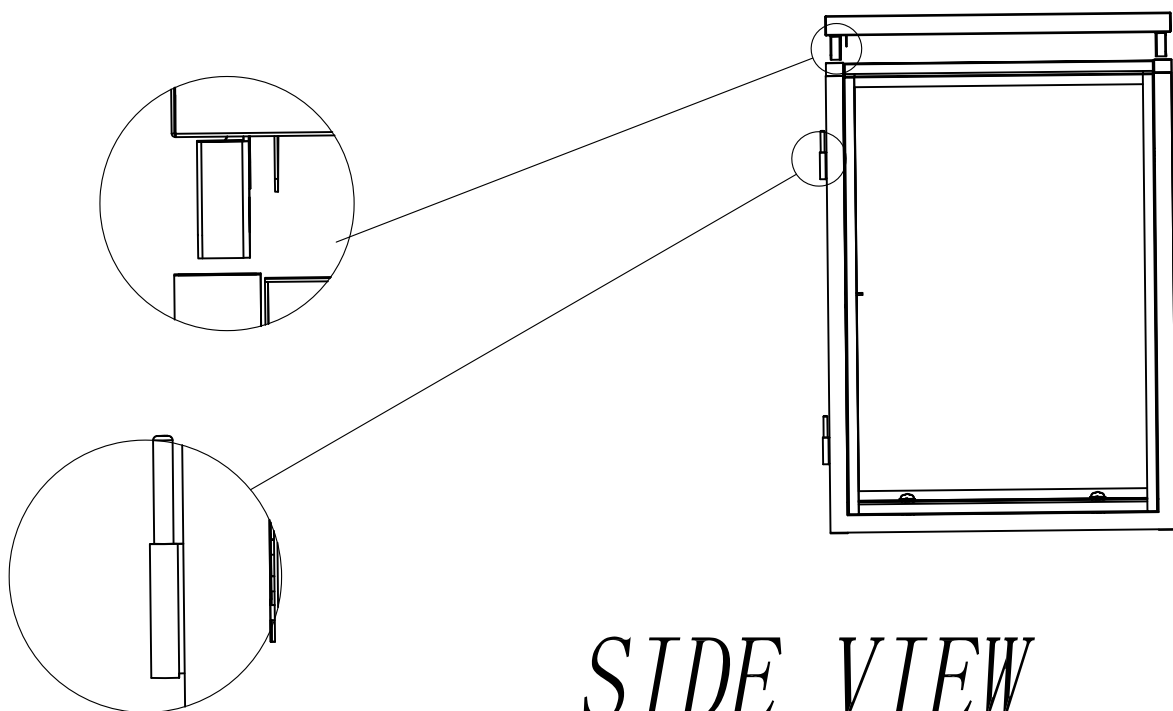
5

C



c*4

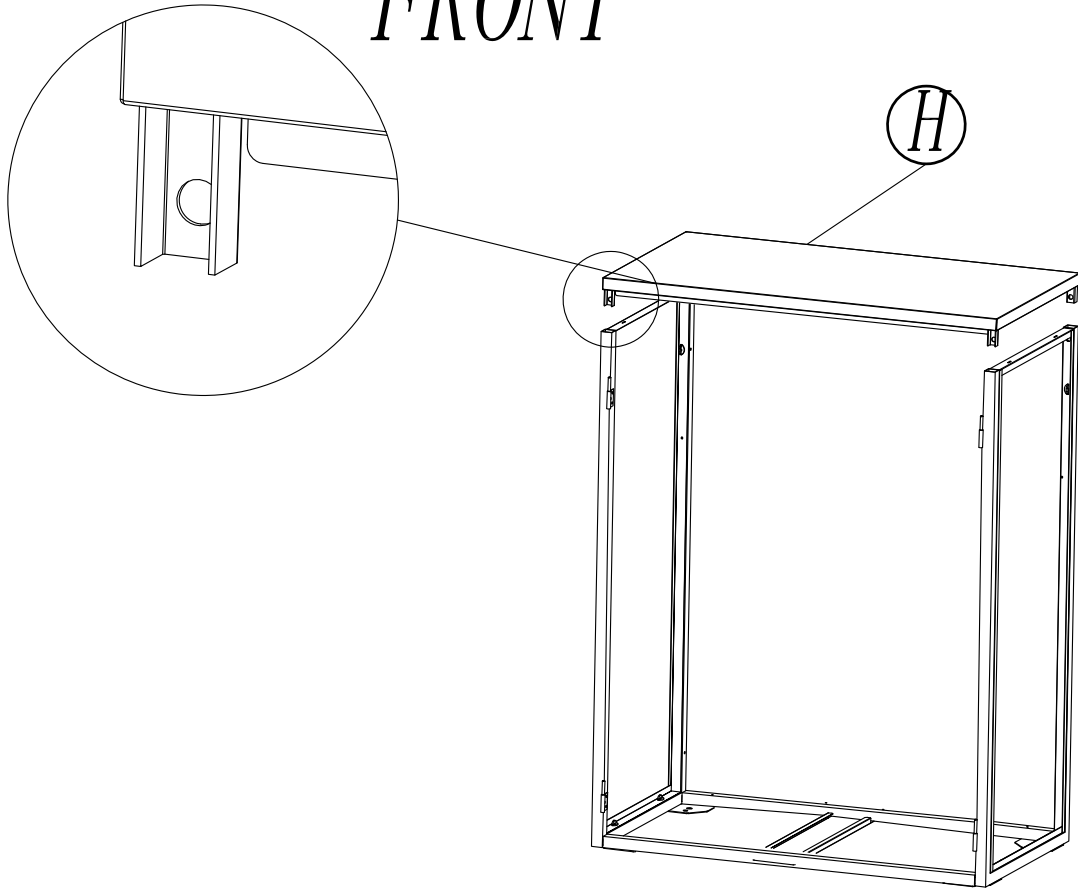
7



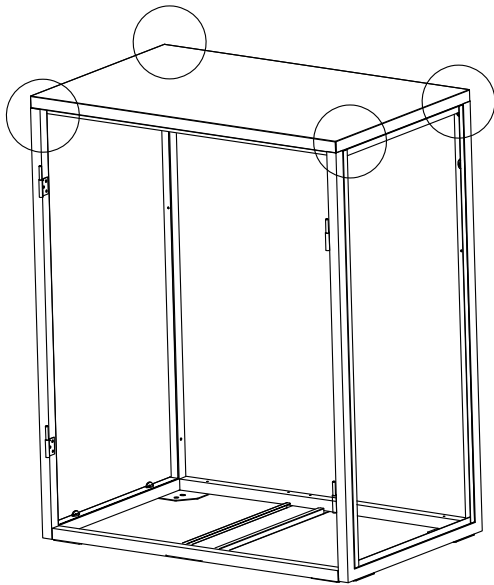
SIDE VIEW

6

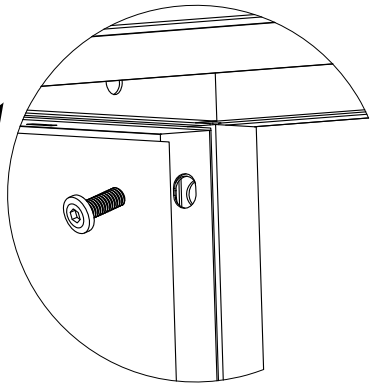
FRONT



8



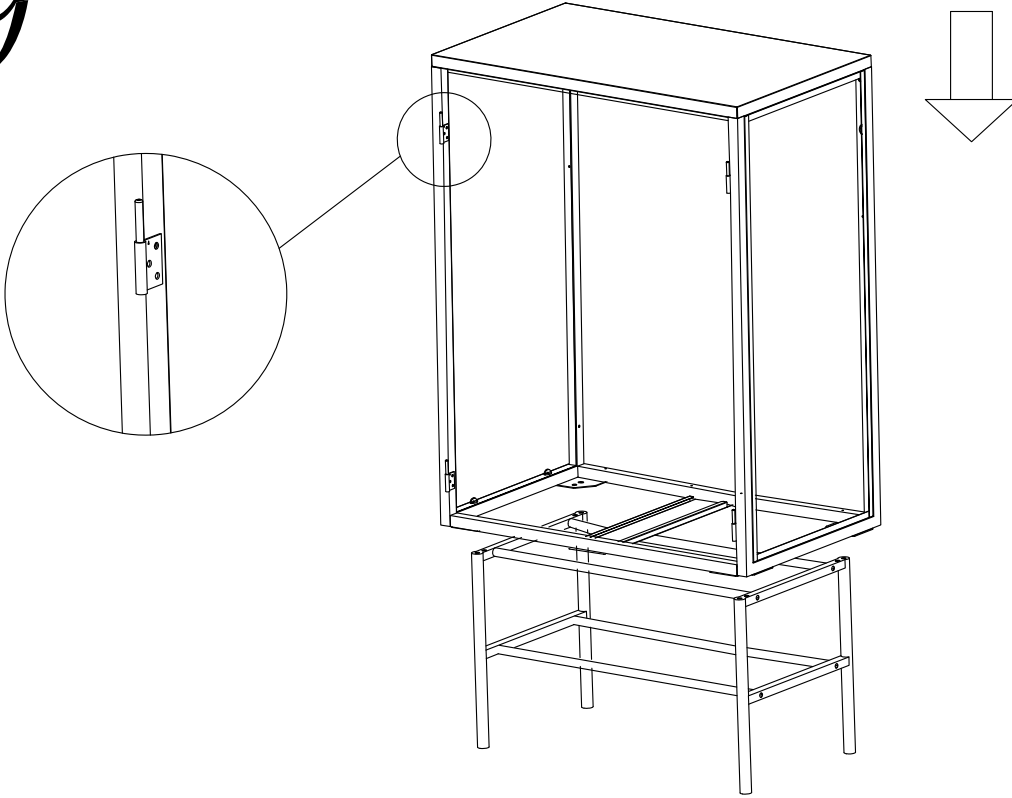
d



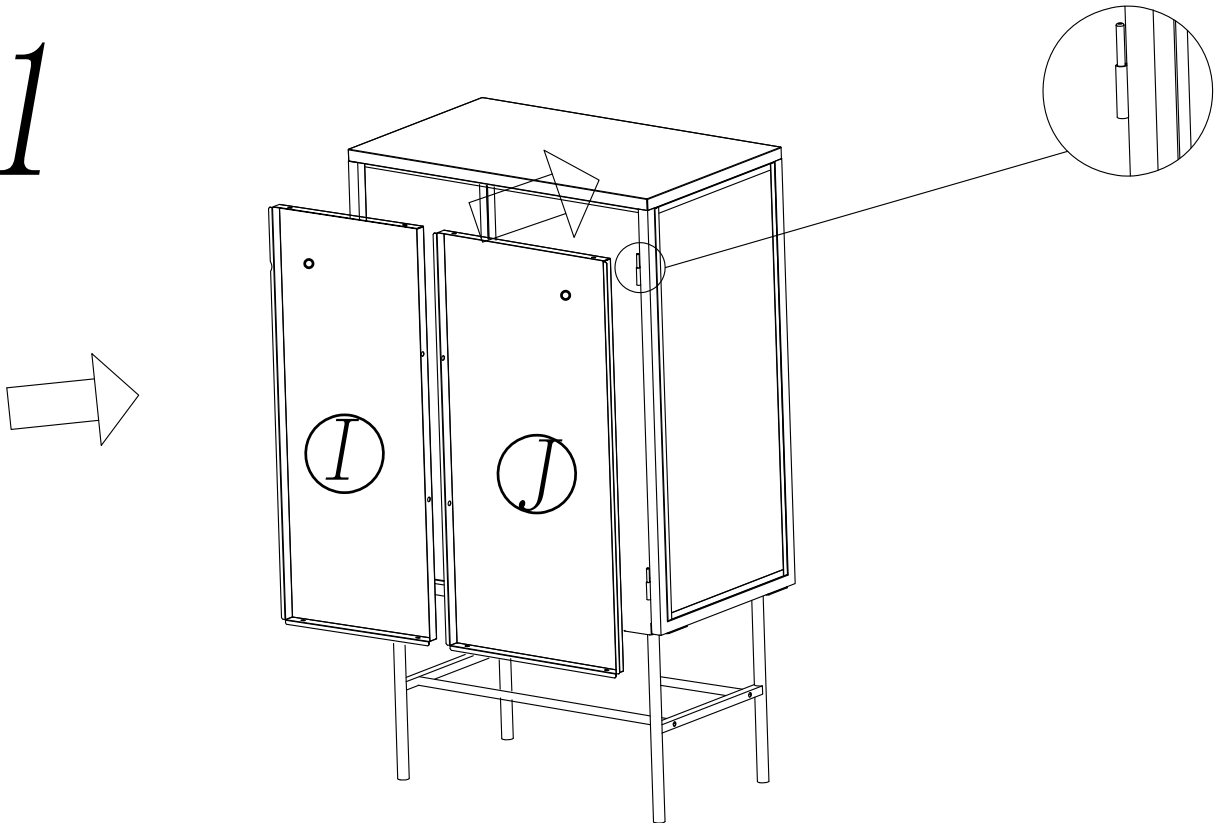
$d*4$

$n*1$

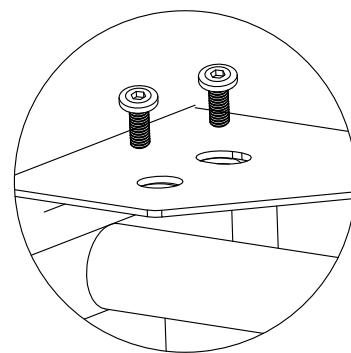
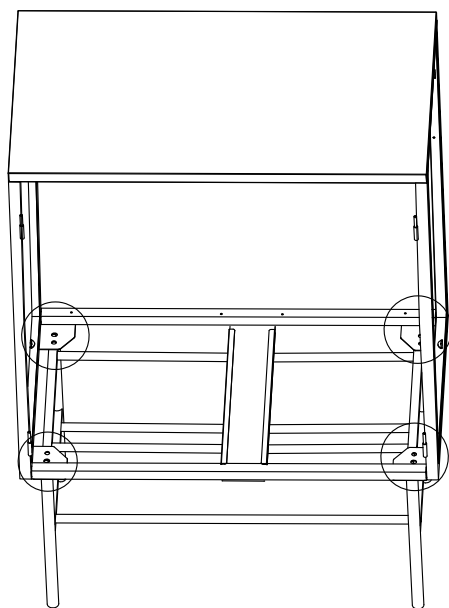
9



11



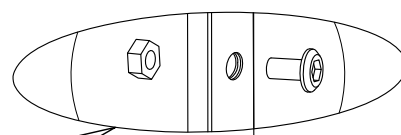
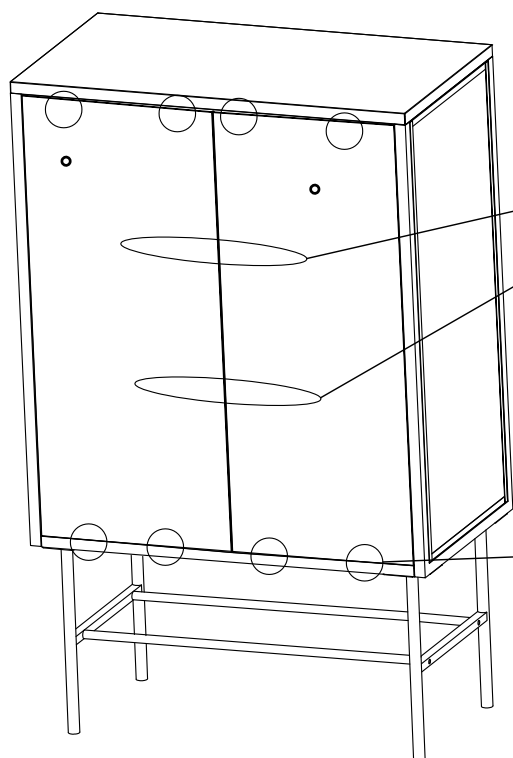
10



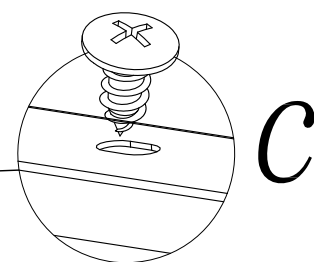
$d*2-4$

$d*8$ $n*1$

12



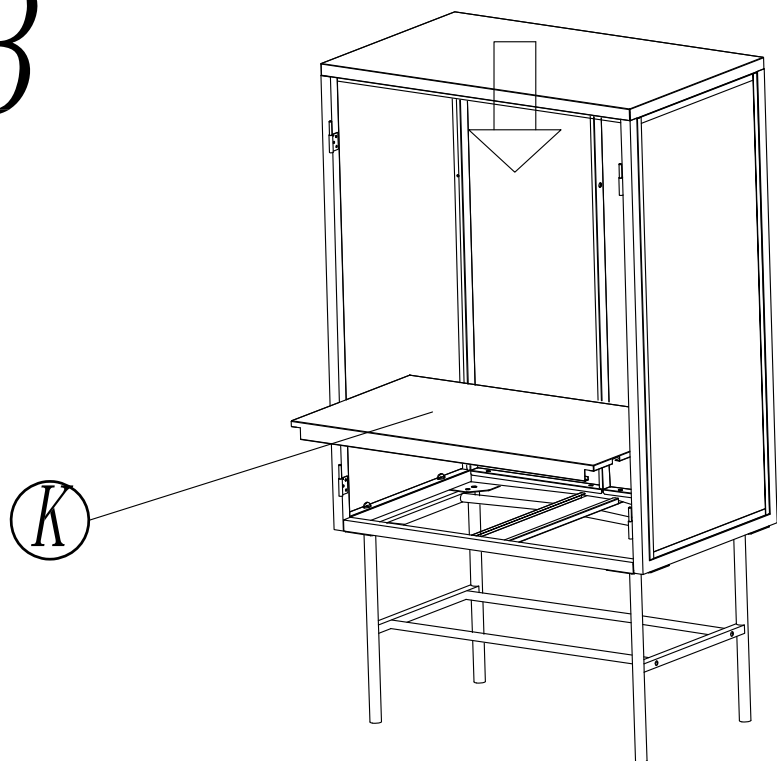
d/e



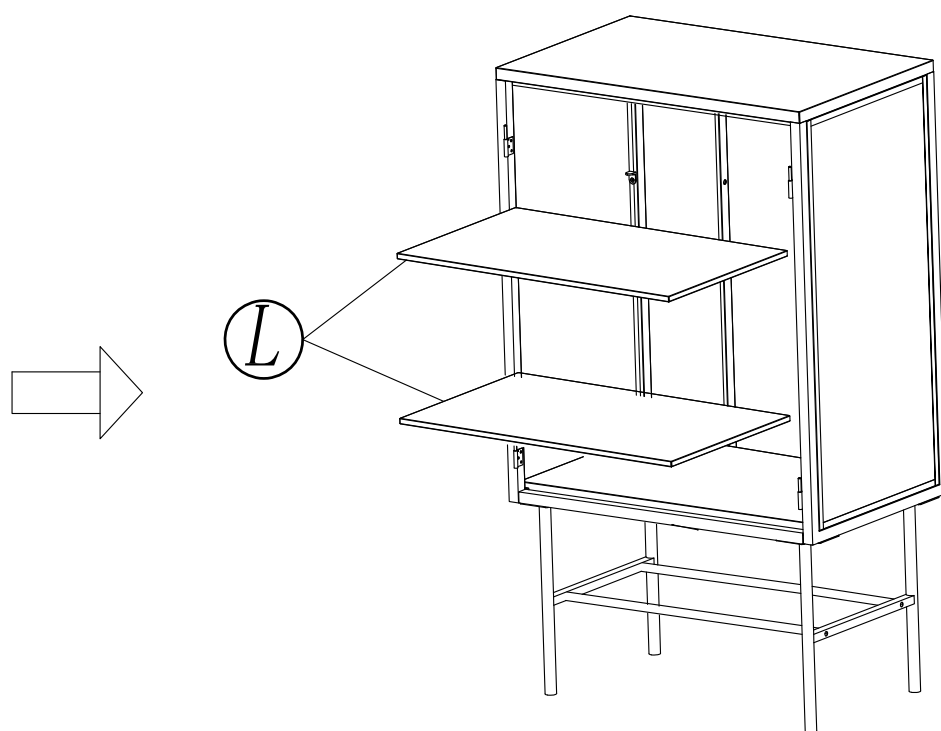
c

$c*8$ $d*2$ $e*2$ $n*1$

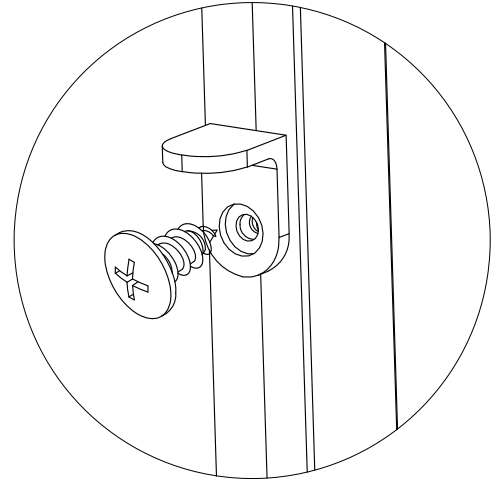
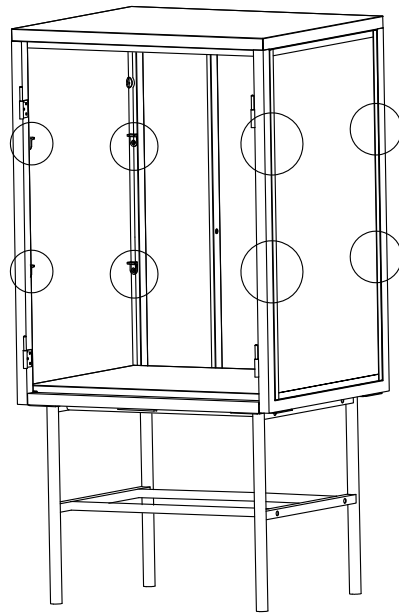
13



15



14



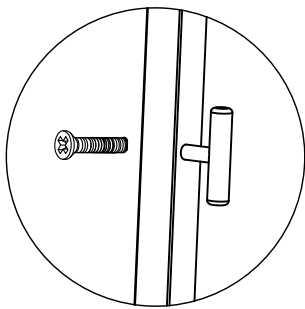
m/j

$m*8$

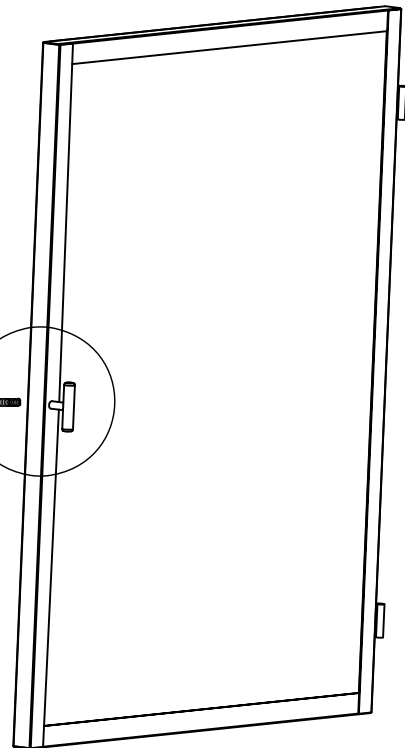
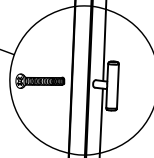
$j*8$

16

i



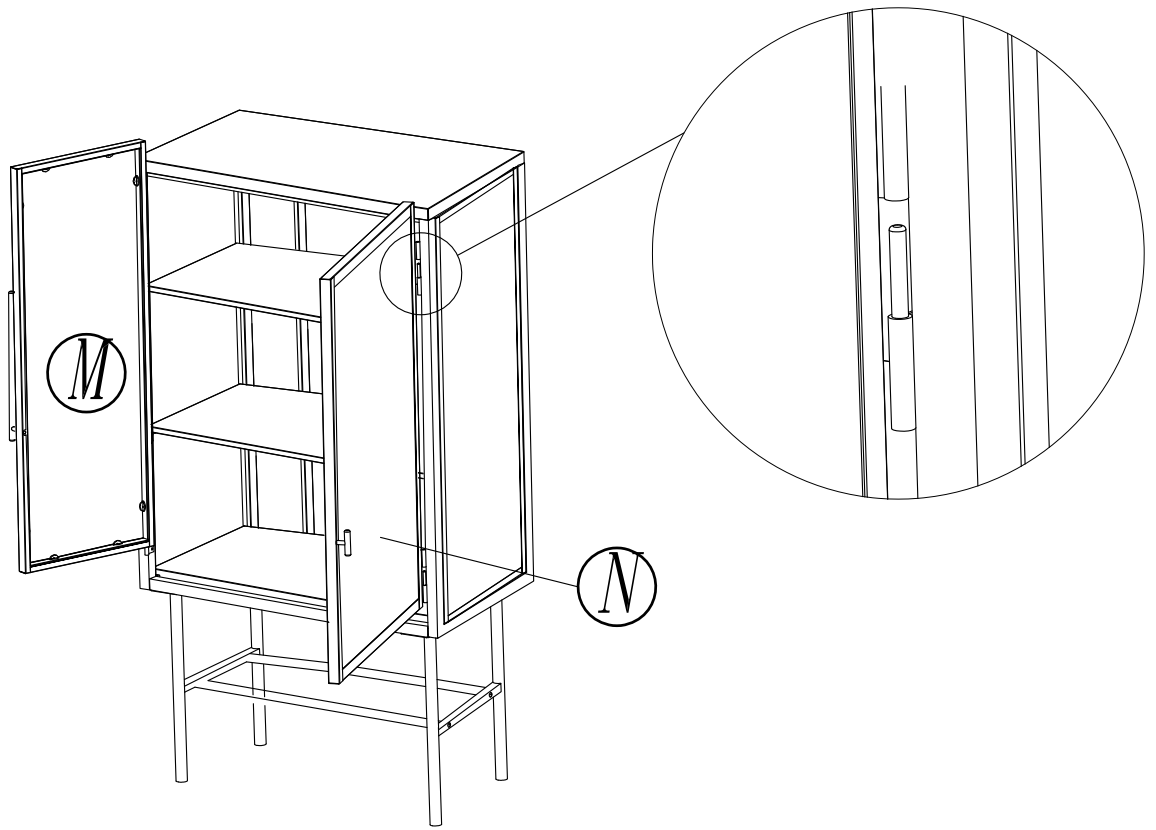
f



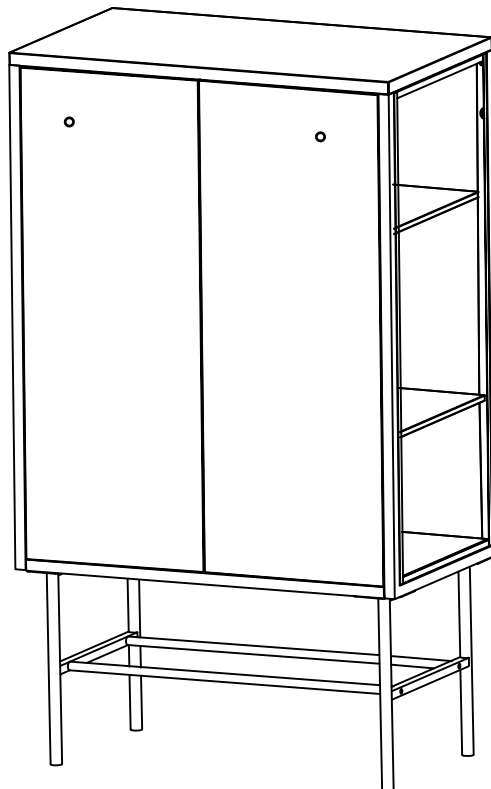
$i*2$

$f*2$

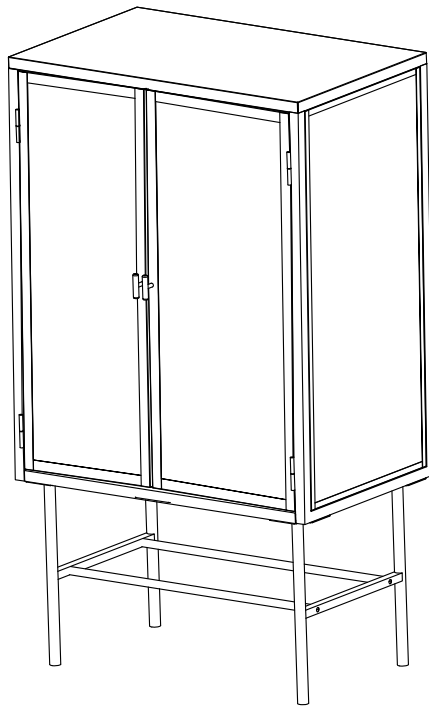
17



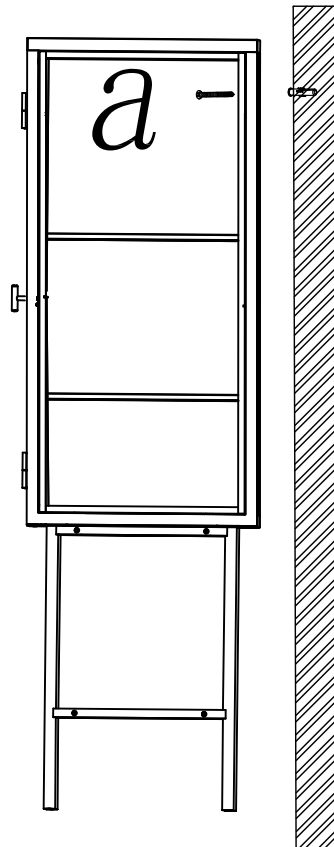
19



18



20



$a*2$