

ASSEMBLY INSTRUCTIONS



Fine Furniture for every stage of life

SOFA

ASSEMBLY INSTRUCTIONS

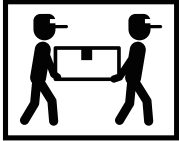
ASSEMBLY TIPS:

1. Remove hardware from box and sort by size.
2. Please check to see that all hardware and parts are present prior to start of assembly.
3. Please follow attached instructions in the same sequence as numbered to assure fast & easy assembly.



WARNING!

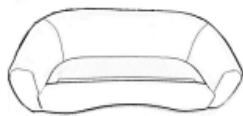
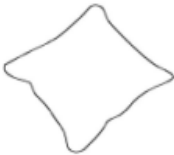


1. Don't attempt to repair or modify parts that are broken or defective. Please contact the store immediately.
2. This product is for home use only and not intended for commercial establishments.



ASSEMBLY TIME

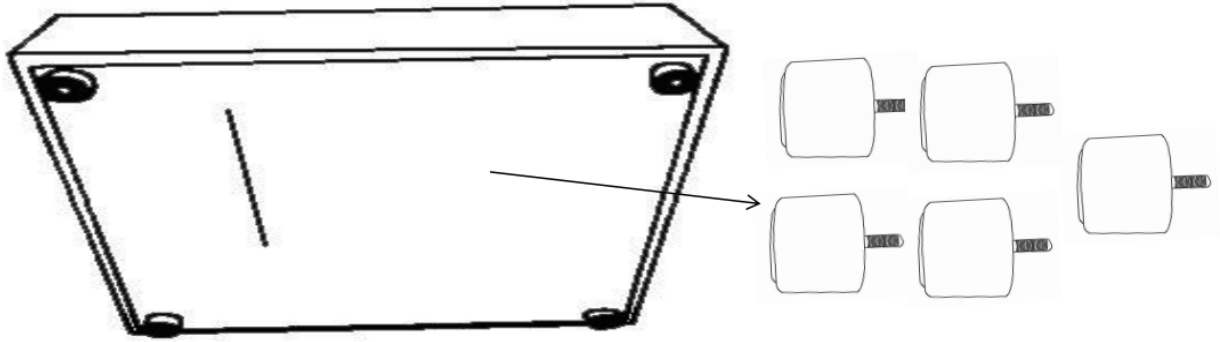
8 MINUTES

PARTS IDENTIFICATION

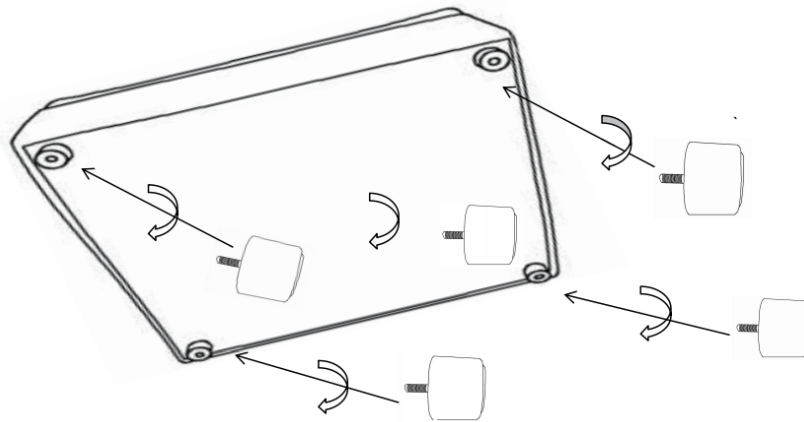
	PART NAME	FIGURE	QUANTITY
A	SOFA BASE		1PC
B	PILLOW		2PCS
C	SEAT CUSHION		1PC
D	LEG		5PCS

ASSEMBLY INSTRUCTIONS

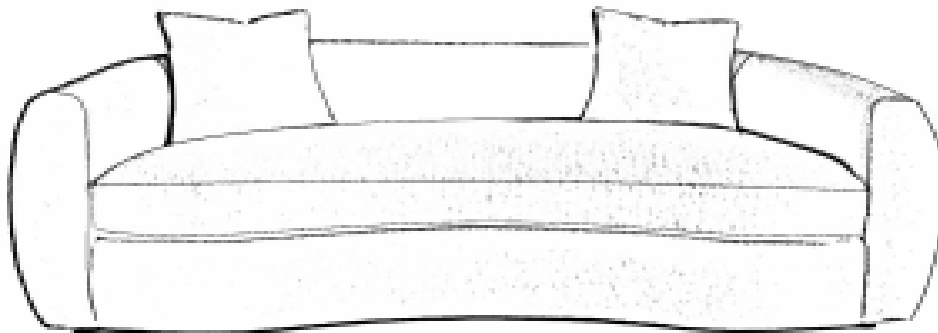
STEP 1 Turn over the item and take out the legs from zippered pouch and install the legs as pictures show

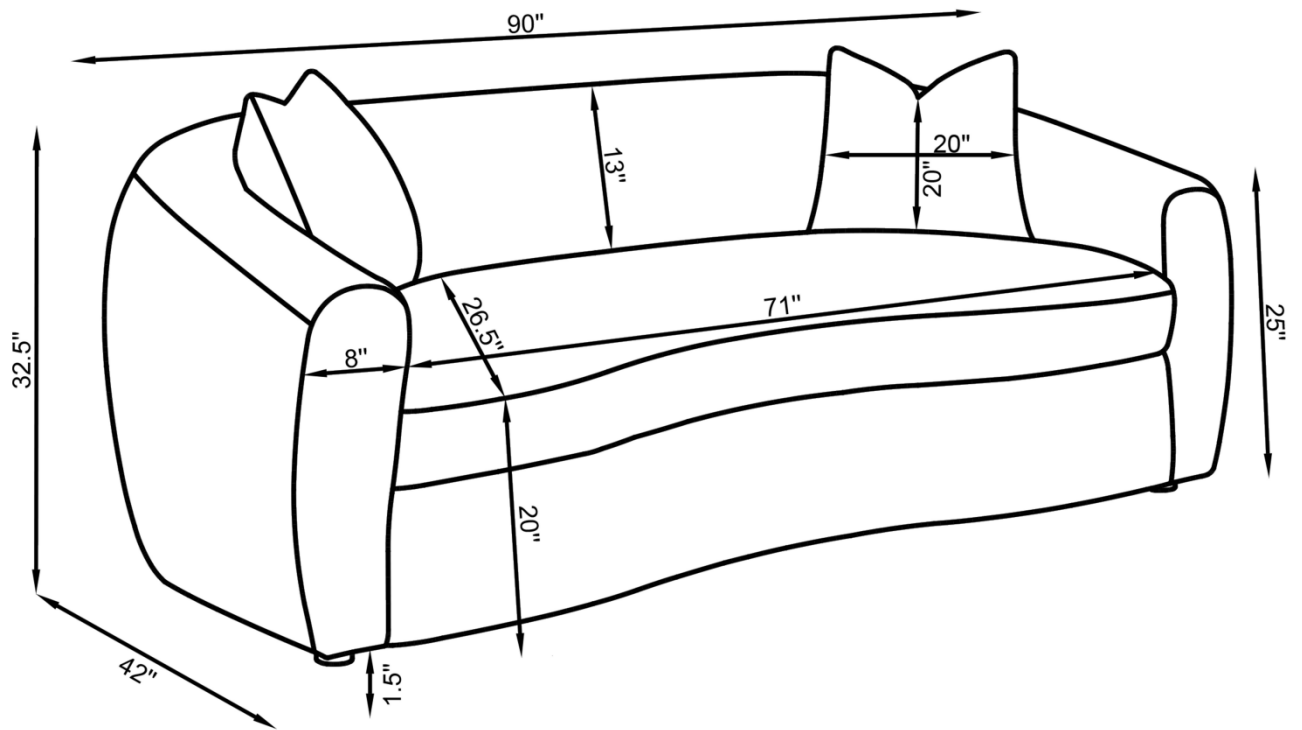


STEP 2



STEP 3 COMPLETE





Note : Dimension tolerance $\pm 5\%$

