

NEVER allow children to climb or hang on furniture, including drawers or cabinet doors.

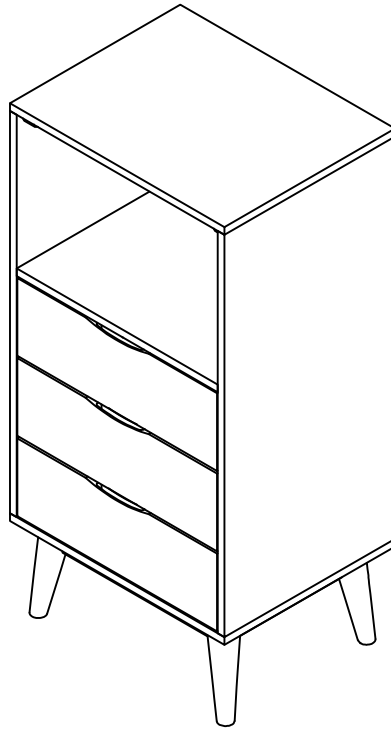
- In addition to installing the restrains, to help prevent tip-over
1. **NEVER** put a TV or other heavy objects on top of this product".
 2. Do not stand on the product.

⚠ WARNING	
	<p>Children have died from furniture tipover. To reduce the risk of furniture tipover:</p> <ul style="list-style-type: none">• ALWAYS install tipover restraint provided.• NEVER put a TV on this product.• NEVER allow children to stand, climb or hang on drawers, doors, or shelves.• NEVER open more than one drawer at a time.• Place heaviest items in the lowest drawers.• Do not defeat or remove the drawer interlock system.
	<p style="text-align: right;"><i>This is a permanent label. Do not remove!</i></p>

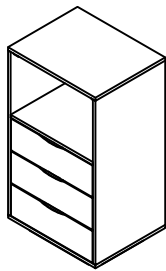

Assembly Instructions

Caution : You must read this before you proceed


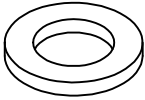



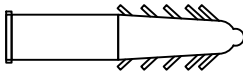
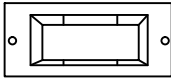
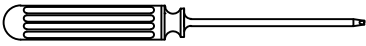
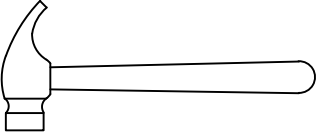

CHEST



Part list

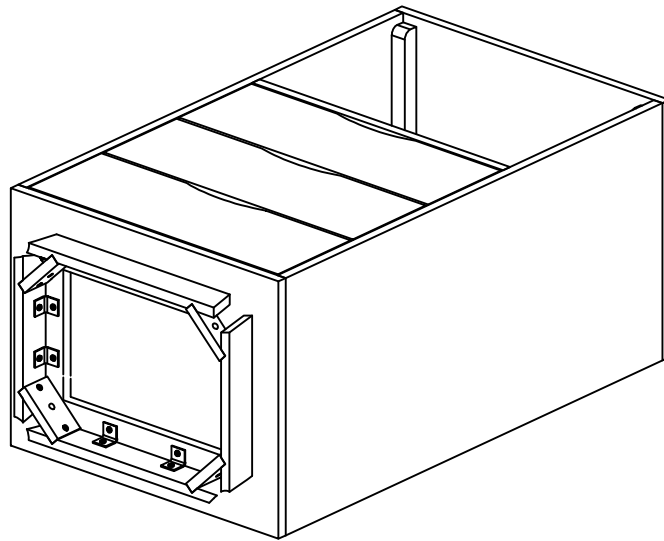
Label	Picture	Description	QTY
A		Wooden Chest	1
B		Leg	4

Hardware

Label	Picture	Description	QTY
①		Pan Head Allen Bolt (M8x60mm)	6
②		Washer (ID 8x22mm)	6
③		Allen Key (4mm)	1
④		Tipover Restraint Device	2
⑤		Wall Plugs Screw (M6 x 32 MM)	4
⑥		Wall Plugs (6 x 38 MM)	4
⑦		Bracket	2
⑧		Screwdriver (Not Provided)	1
⑨		Hammer (Not Provided)	1
⑩		Power drill (Not Provided)	1

Assembly preparation

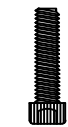
Before beginning assembly



x1
Pcs.



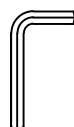
x4
Pcs.



x6
Pcs.



x6
Pcs.



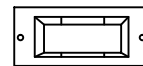
x1
Pcs.



x4
Pcs.



x4
Pcs.



x2
Pcs.



x2
Pcs.



Read instructions, cover to cover-



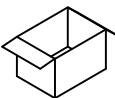
Have 2 adults on hand for assembly-



Do not assemble on flooring or carpet-



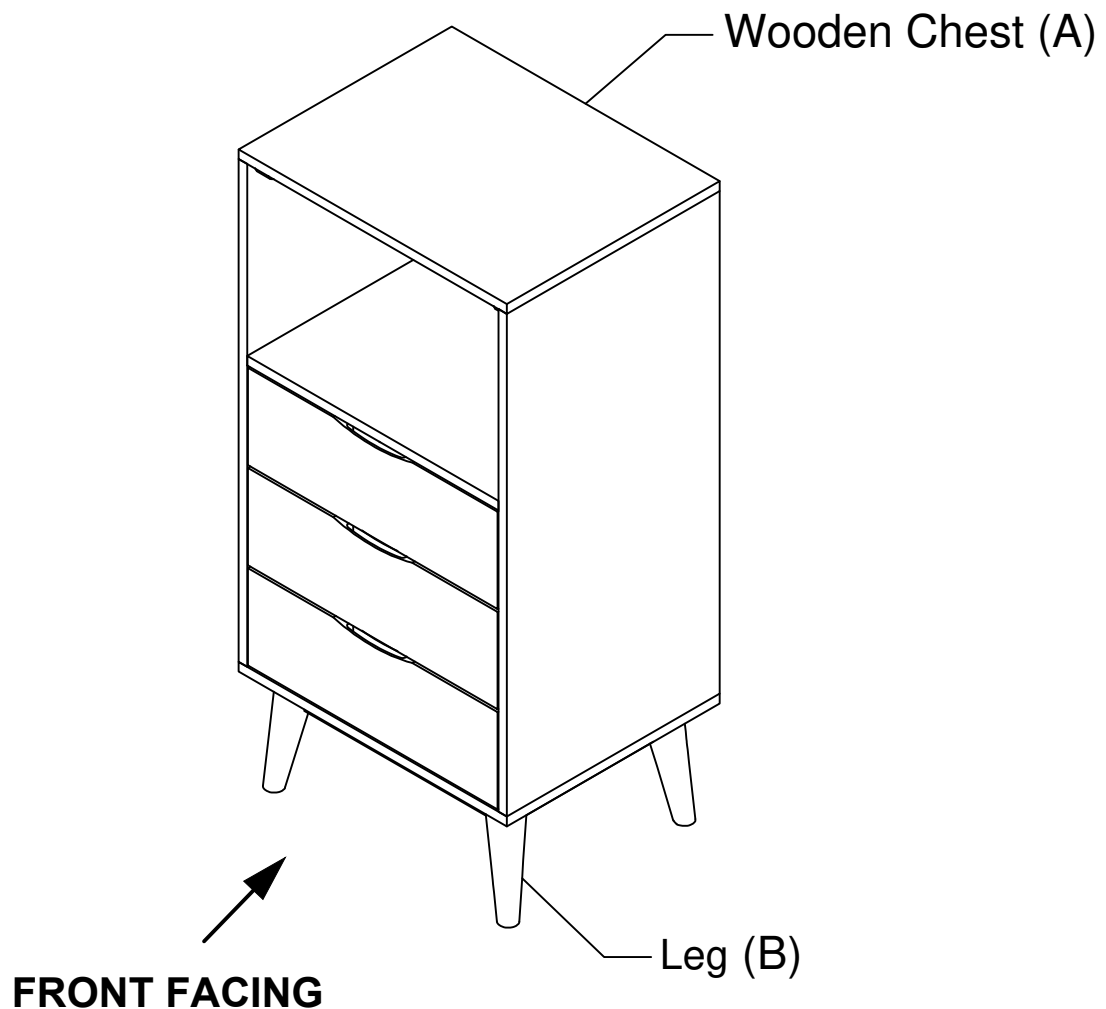
Assemble on a clean, non-marring surface (packing foam)-



Save all packaging until finished-

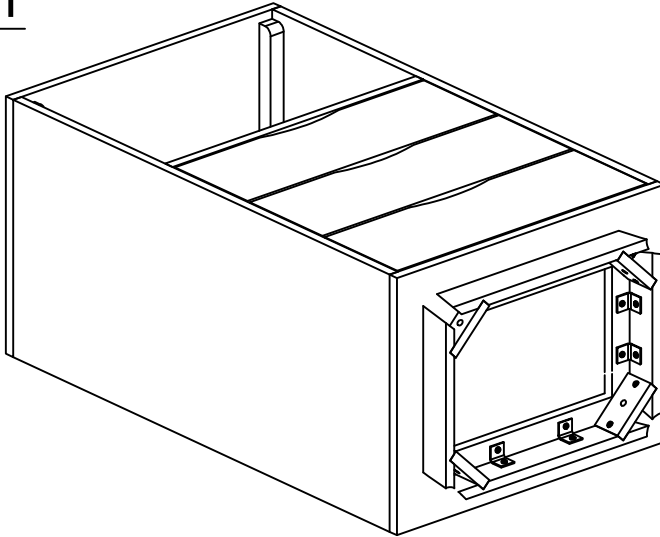
Assembly steps

Overview



This Chest of Drawer has multiple parts and may require up to 30 minutes to assemble. To give you an overview of the Chest of Drawer parts, the picture above will help you, to put the various parts into perspective. Please read through the instructions below, to familiarize the parts and steps before assembly.

Step 1



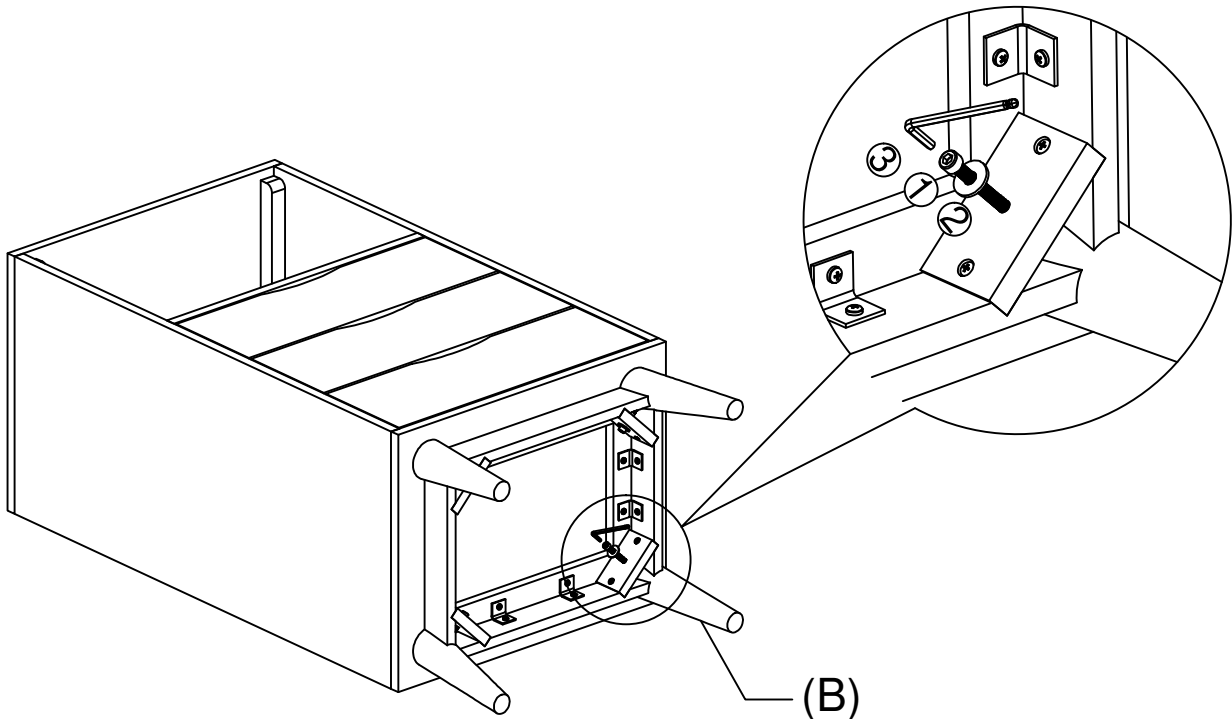
x1
Pcs.



x4
Pcs.

Unpack all the parts and place it on a clean and non-marring surface in an upside down position.

Step 2



Take the Leg (B) and align it with the holes on the bottom, then insert the Pan Head Allen Bolt (①) along with the Washer (②) with the help of Allen key (③) as shown in the picture above.

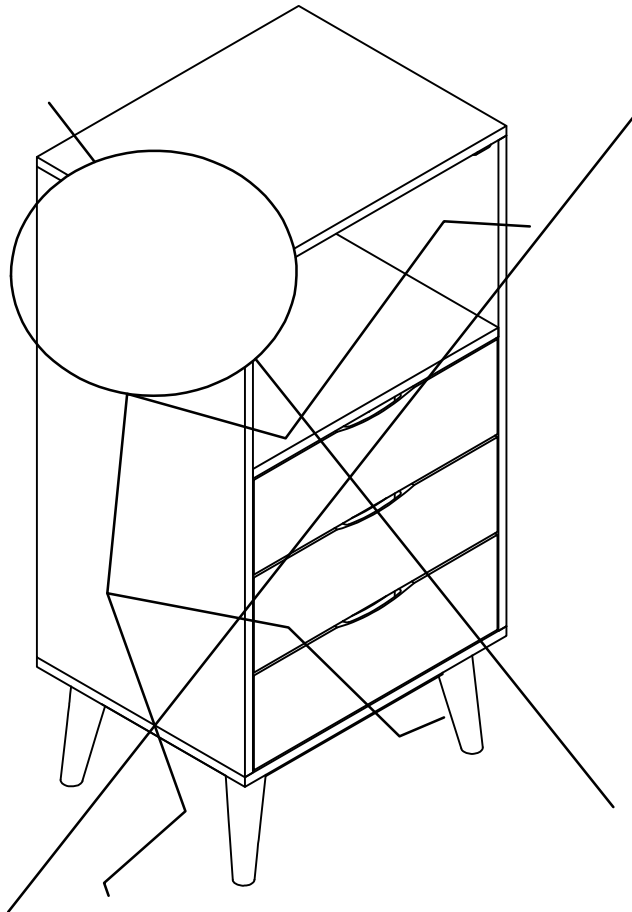
Tighten the bolts sequentially.

Tipover Restraint Device Installation Instructions



Serious or fatal crushing injuries can occur from tipping furniture.

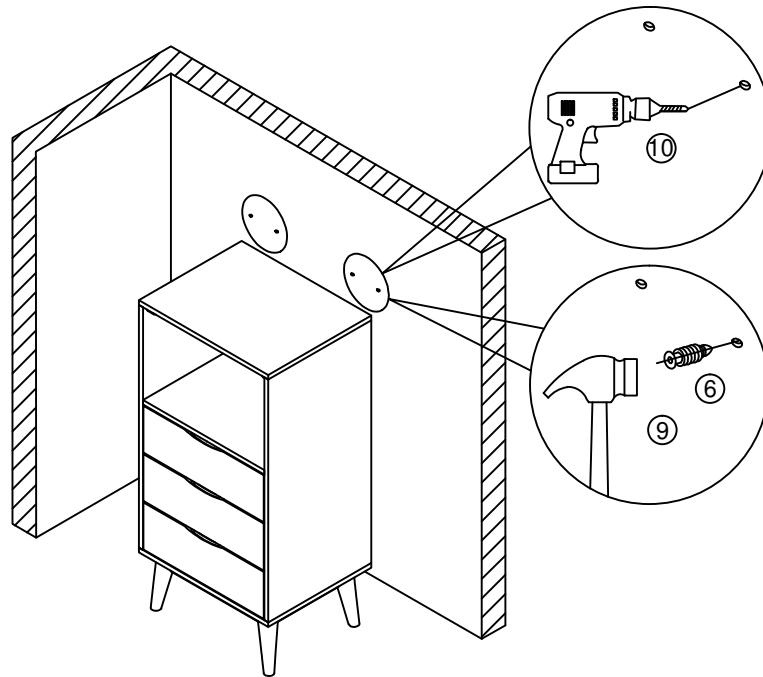
To help prevent tip-over: ALWAYS secure this furniture to the wall using Tipover Restraint Device. See product instructions for more ways to help prevent furniture tip-over.



Usage For Chest Restraint Device:

To secure Cabinet against wall, attach two Brackets (⑦) on wall and product, use Cabinet Restraint Strap (④) to connect the Brackets (⑦).

Step 3



3.1) Drill two holes on wall at same height as Brackets (7) on Chest with Power Drill (10).

You can mark these points in two ways as below:

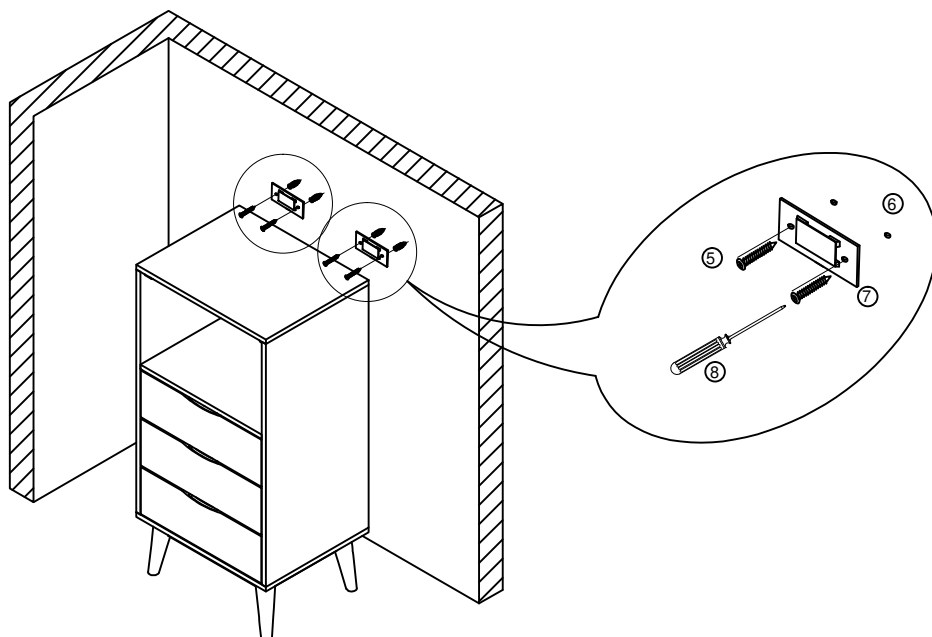
1) Move the Chest back to the wall. Mark two points same height as CHEST OF DRAWER on the wall.

Note: The Brackets need to be secured to solid, load bearing surface. Please use a Stud Finder(not supplied) if needed to locate the Wall Frame.

2) Measure the height of the Brackets (7) with ruler/measuring tape and mark on wall to keep them accurate and same height.

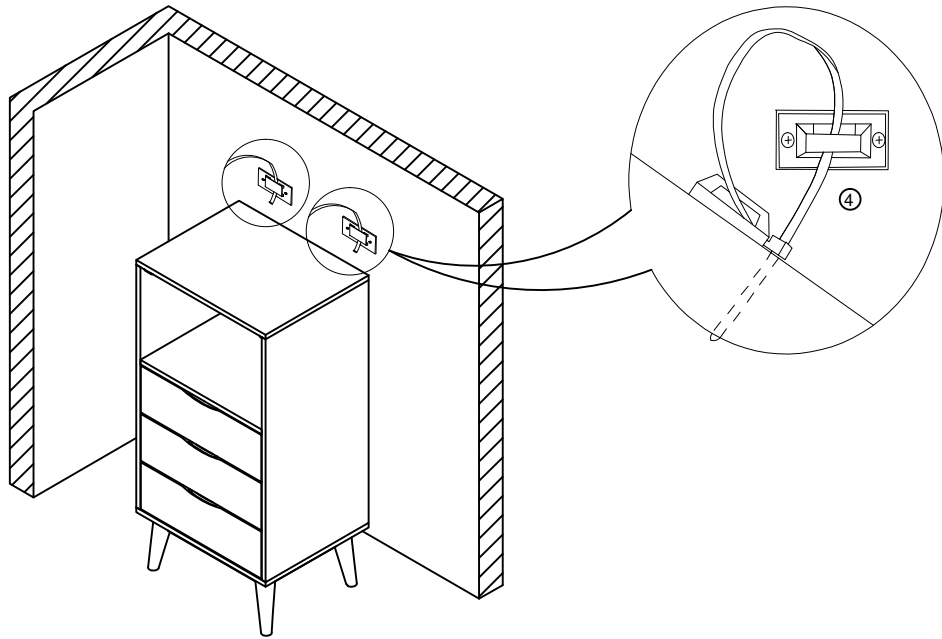
3.2) Insert Wall Plugs (6) into drilled holes on wall with Hammer (9).

Step 4



Attach Brackets (7) to Wall Plugs (6) using Wall Plug Screws (5) with Screwdriver (8).

Step 5














Move Chest to the wall.

Pull the Tipover Restraint Strap (④) through the Brackets (⑦) on the wall and Chest one by one, and pull the Tipover Restraint Straps (④) tight.

This Chest is now ready to use.

Caution: This Chest can only be used on flat, level surface.

Care & Maintenance

- ✓  • Furniture may scratch floors. We recommend using furniture pads to protect your floors.
- ⊘  • Do not put hot items directly on furniture surface
- ⊘  • Do not clean furniture with harsh cleansers or polish.
- ⊘  • Do not place furniture under direct sunlight.
- ⊘  • Do not place furniture near heating or cooling vents.
- ⊘  • Do not write on furniture without a passed barner to protect the surface.
- ⊘  • Do not place furniture outside. for indoor use only.
- ⊘  • Not for commercial use. for residential use only.
- ⊘  • Stains may be removed with mild soap solution and damp cloth.
- ⊘  • Children should not climb or jump on the furniture.
- ✓  • Dust and pick - up shills using a clean, non-colored, lint-free cloth.