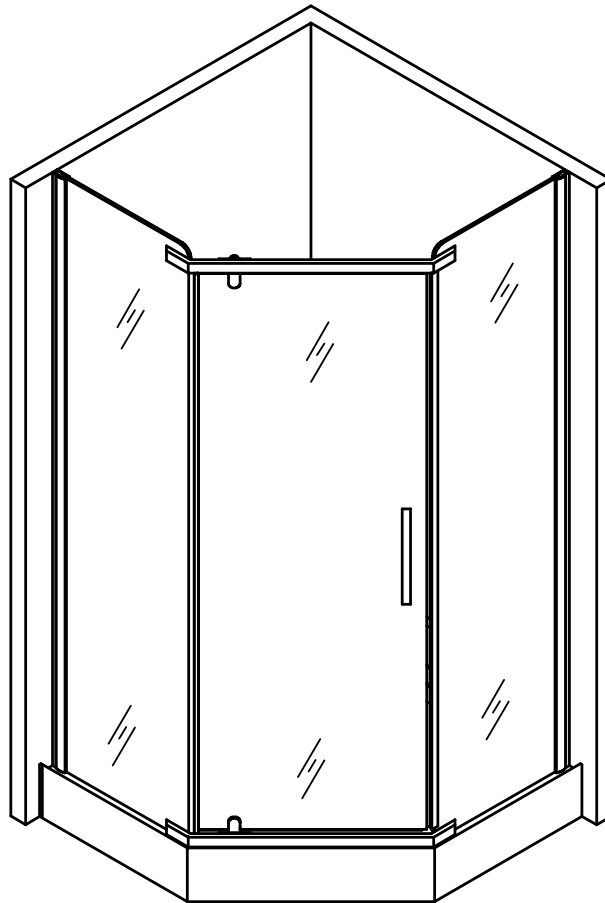


# ELEGANT

## SHOWER DOOR (SHOWER ENCLOSURE) INSTALLATION INSTRUCTION

PLEASE REVIEW THIS ENTIRE MANUAL PRIOR TO INSTALLATION

### A33S Series



**NOTE:**

In order to improve the product and customer experience, we reserve the right to change, modify or re-design the product at any time without notice.

Please refer to the latest technical drawings, installation manuals, warranty information or other product details.

Contact us for any issue prior to return.

**Questions?**

Please Call Customer Support: 626-977-3800

ELEGANT 02/04/24 A01

# ELEGANT

## Important Notice

This product should be installed by personnel familiar with the construction requirements of such projects, and pay attention to safe installation and operation.

- \* To prevent damage or serious injury, do not lean on installed panels/doors/glass.
- \* Do not attempt to lift or move heavy glass alone, use professional glass suction cups when handling alone.
- \* Installation of some models may require drilling holes in the threshold, for any questions regarding drilling holes in the base, tub or threshold material, contact the manufacturer of the base, tub or threshold material.
- \* All drawings in this installation manual are for reference only.



This product should be installed by someone familiar with the construction requirements for this type of project and the care necessary for the safe installation and operation of the product.



# Table of Contents

| <b>Section Title</b>                                   | <b>Page #</b> |
|--|---------------|
| Warnings and preparations                              | 1             |
| Shower door assembly diagram and bill of materials     | 2             |
| Wall profile installation                              | 3-4           |
| Frame of shower door installation                      | 4-5           |
| Glass installation                                     | 6             |
| Handle/ rubber strip installation and seal to silicone | 7-8           |
| Product maintenance                                    | 9             |

## ◆ General information

Please inspect the product immediately upon receipt for transit damage, missing packs/parts or manufacturing fault. Damage reported later cannot be accepted. Please handle the product with care avoiding knocks and shock loading to all sides and edges of the glass.

### **Note: Safety glass can not be re-worked.**

- Please read these instructions carefully before start of installation.
- Special care should be taken when drilling walls to avoid hidden pipes or electrical cables.
- Note: this product is heavy and required two persons install.



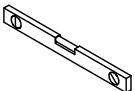
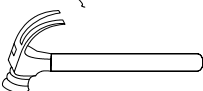
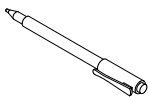
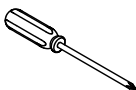
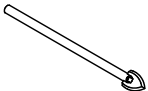

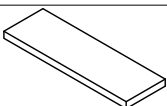
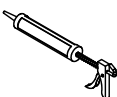
## Aftercare instructions

- After use, your shower should be cleaned with soap and water. This is particularly important in hard water districts where insoluble lime salts may be deposited and allowed to build up.
- Cleaners of gritty or abrasive nature should not be used. Care should be taken to avoid contact with strong chemicals such as organic solvents and strippers.
- Glass cleaners can be used but with caution, if in doubt contact the manufacturer of the cleaner in question.
- Please keep these instructions for aftercare and customer service details.

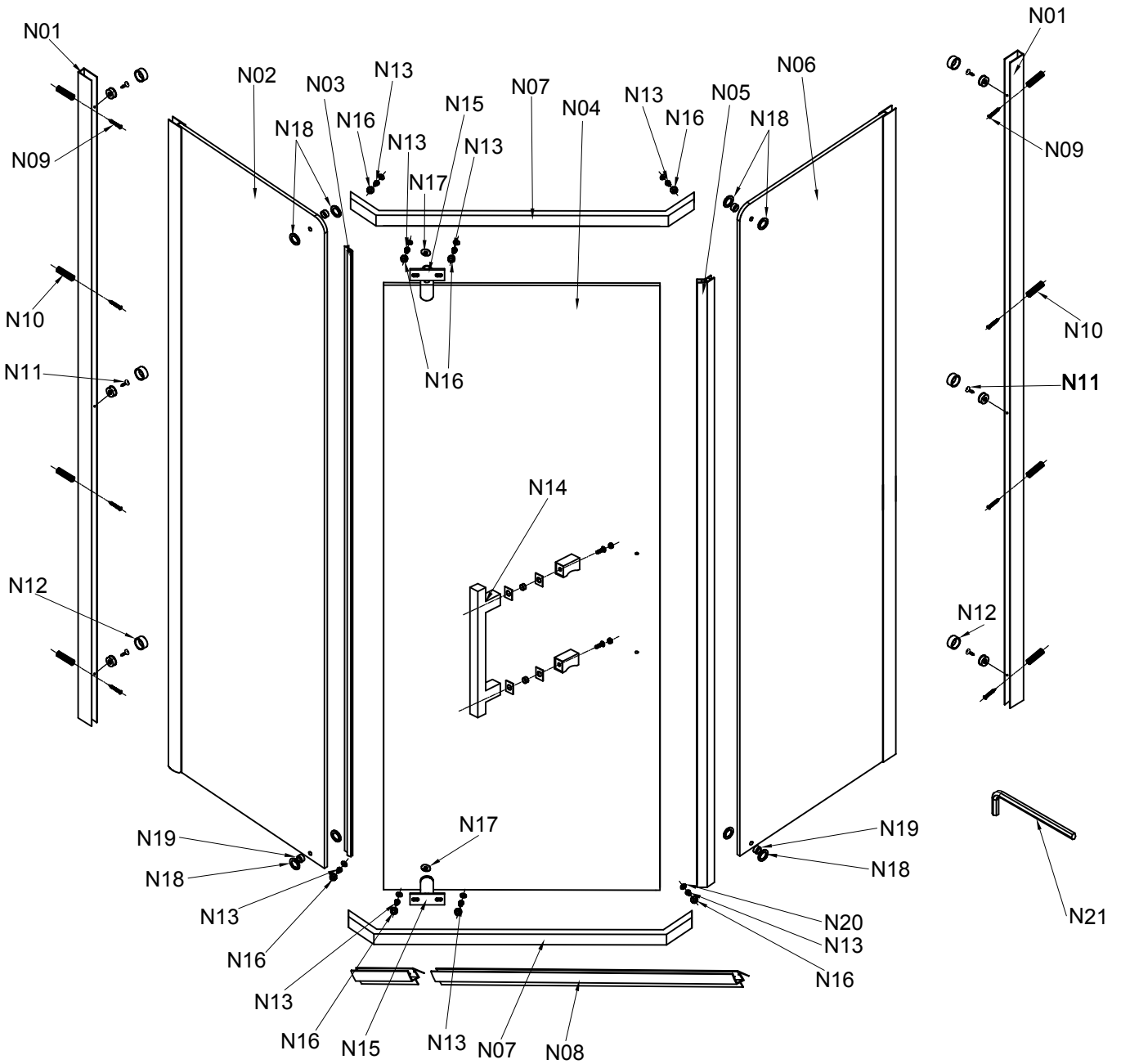
---

---

## TOOLS REQUIRED

| DESCRIPTION        | PART IMAGE  | DESCRIPTION            | PART IMAGE  |
|--------------------|---|------------------------|---|
| Tape measure       |  | Drill                  |  |
| Spirit level       |  | Hammer                 |  |
| Pencil             |  | Cross head Screwdriver |  |
| Ø6/3.2mm Drill bit |  | Inner hexagon Spanner  |  |
| 20mm Thick board   |  | Silicone Sealant       |  |

# ASSEMBLY ISTRUCTIOS-DRAWIG

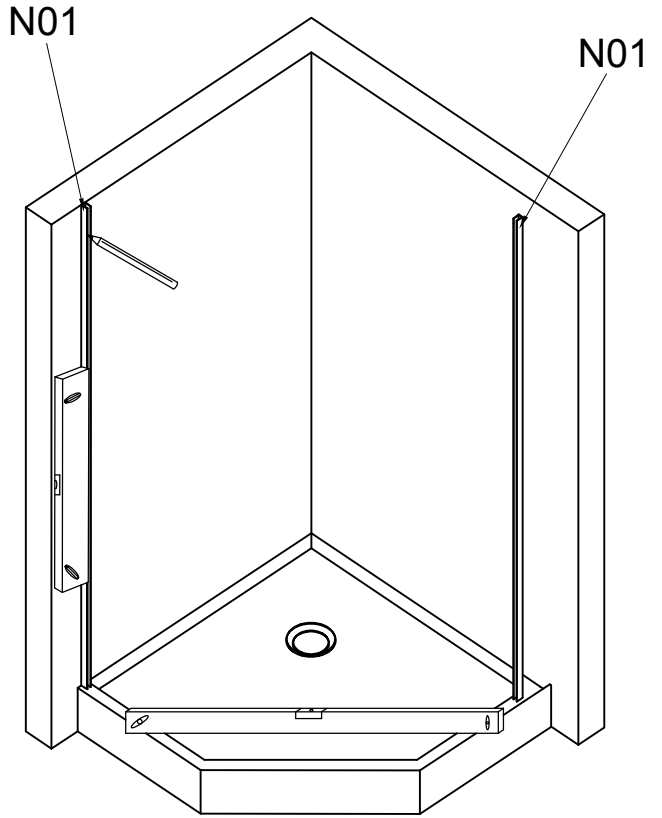
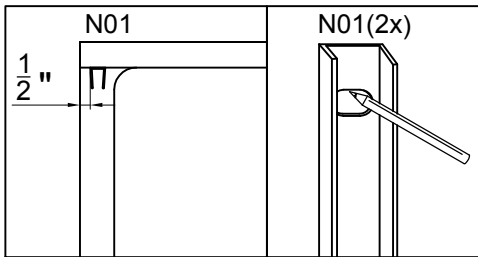


| NO. | Descriptio                                  | QTY | Diagram |
|-----|---|-----|---------|
| N01 | Wall profile                                | 2   |         |
| N02 | Fixed glass                                 | 1   |         |
| N03 | Water retaiig strip                         | 1   |         |
| N04 | Movable glass                               | 1   |         |
| N05 | Magetic adhesive strip                      | 2   |         |
| N06 | Fixed glass                                 | 1   |         |
| N07 | Support Frame                               | 2   |         |
| N08 | Water retaiig strip                         | 2   |         |
| N09 | Truss head self tapping head Screw (3.9x30) | 8   |         |
| N10 | Wall achor                                  | 8   |         |
| N11 | Cross round head screw (3.9x10)             | 6   |         |

| NO. | Descriptio                                   | QTY | Diagram |
|-----|--|-----|---------|
| N12 | Screw cover cap                              | 6   |         |
| N13 | Hexagon socket countersunk head screw(M8*22) | 8   |         |
| N14 | Handle                                       | 1   |         |
| N15 | Hinge  | 2   |         |
| N16 | Glass block                                  | 8   |         |
| N17 | Decorative cover                             | 2   |         |
| N18 | Gaskets                                      | 8   |         |
| N19 | Rubber ring                                  | 4   |         |
| N20 | Decorative cover                             | 8   |         |
| N21 | Hex key                                      | 1   |         |

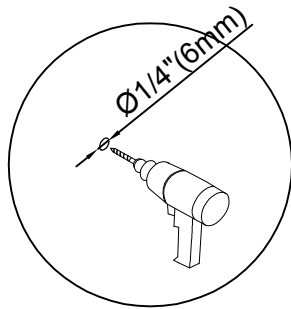
# Step 1

1.1 Measure if the floor is level with a spirit level.

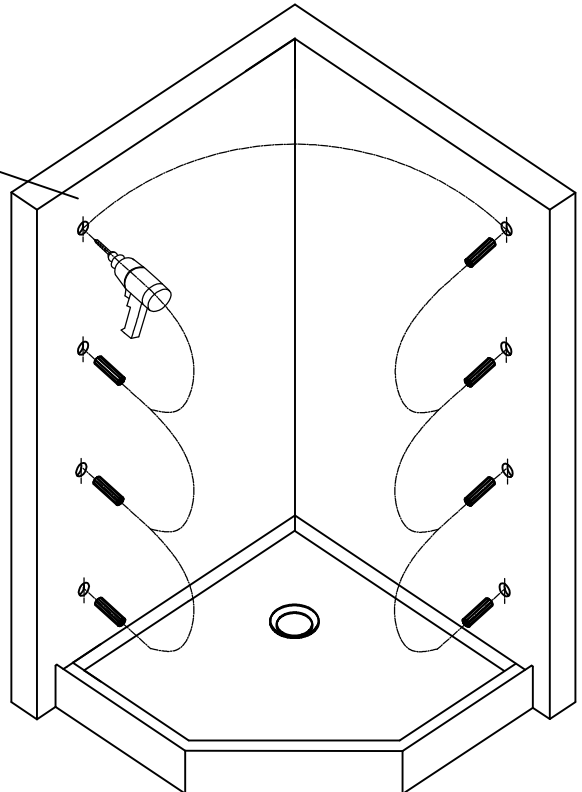
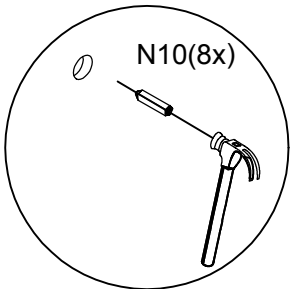


# Step 2

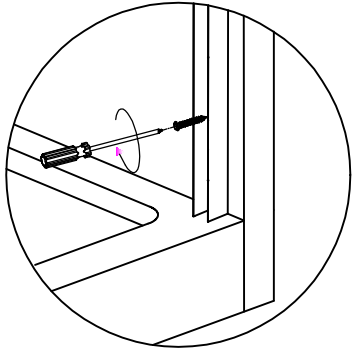
2.1 Drill holes in marked with  $\text{Ø}6\text{mm}$  drill bit.



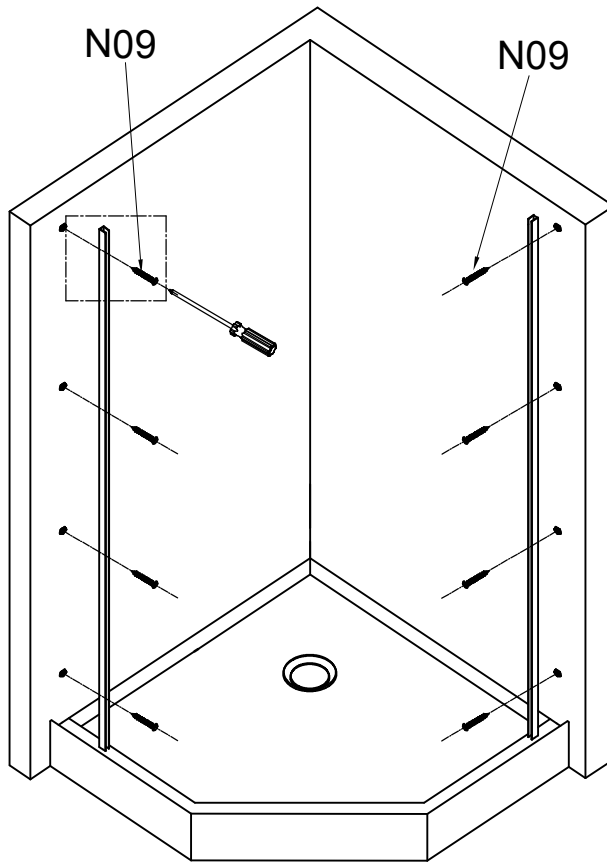
2.2 Punch Part (N10)x8 into the drilled hole.



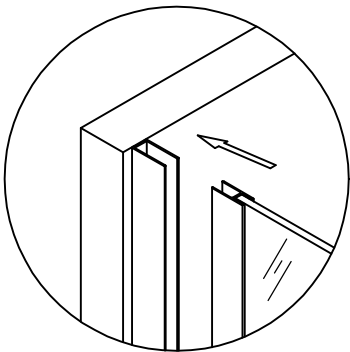
### Step 3



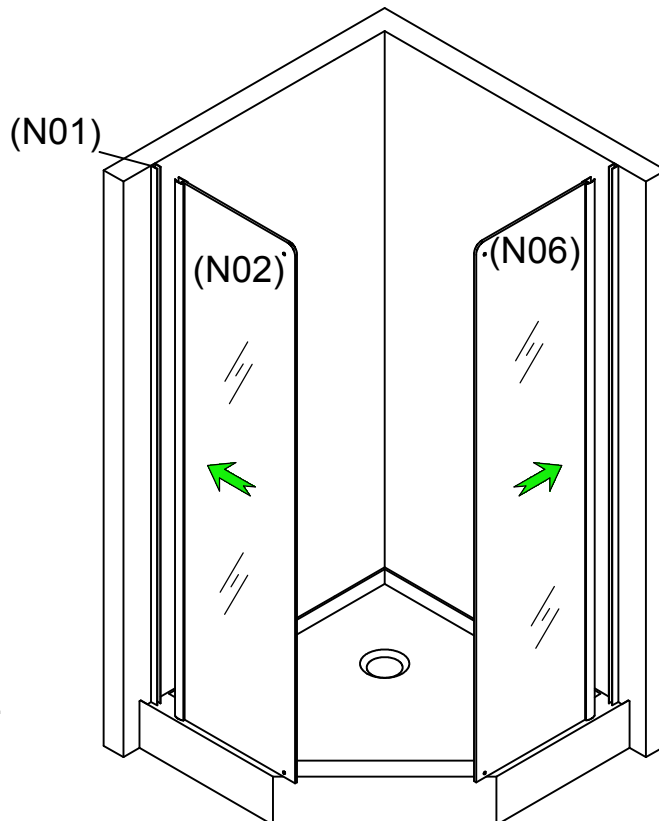
3.1 Lock the screw (N09)x8



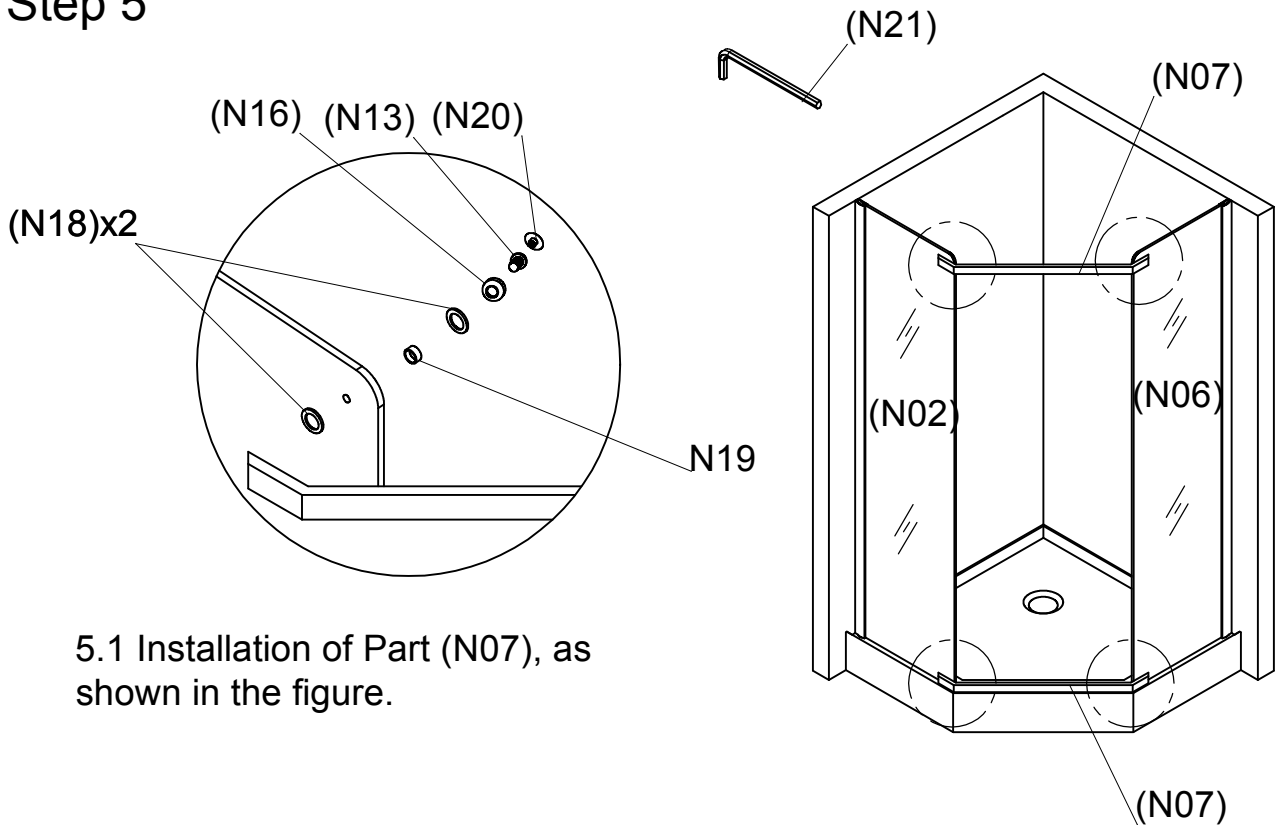
### Step 4



4.1 Snap Part (N02) and Part (N06) into Part (N01).



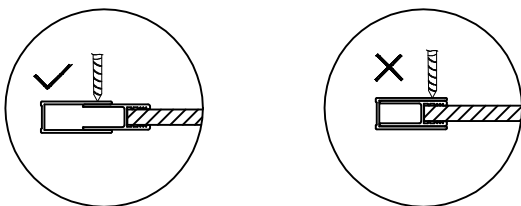
## Step 5



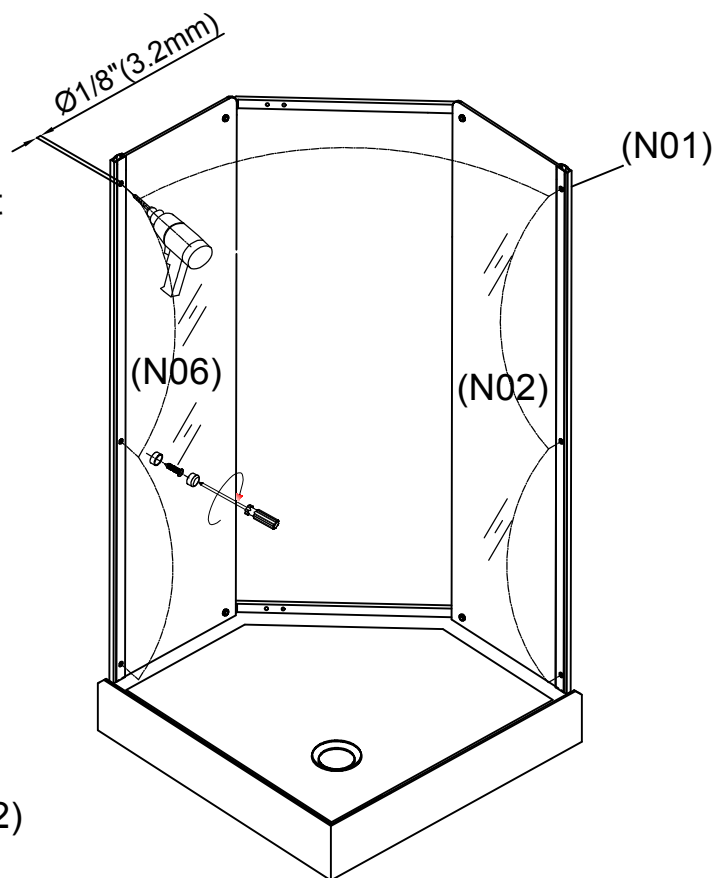
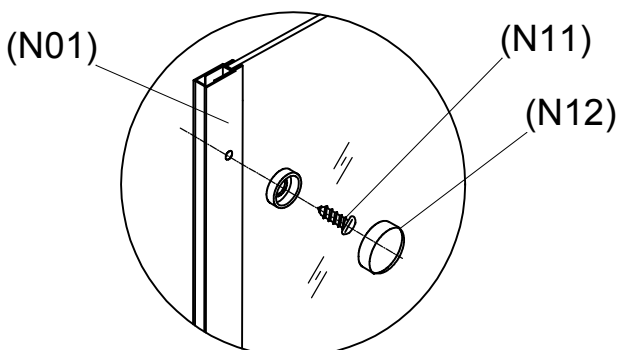
5.1 Installation of Part (N07), as shown in the figure.

## Step 6

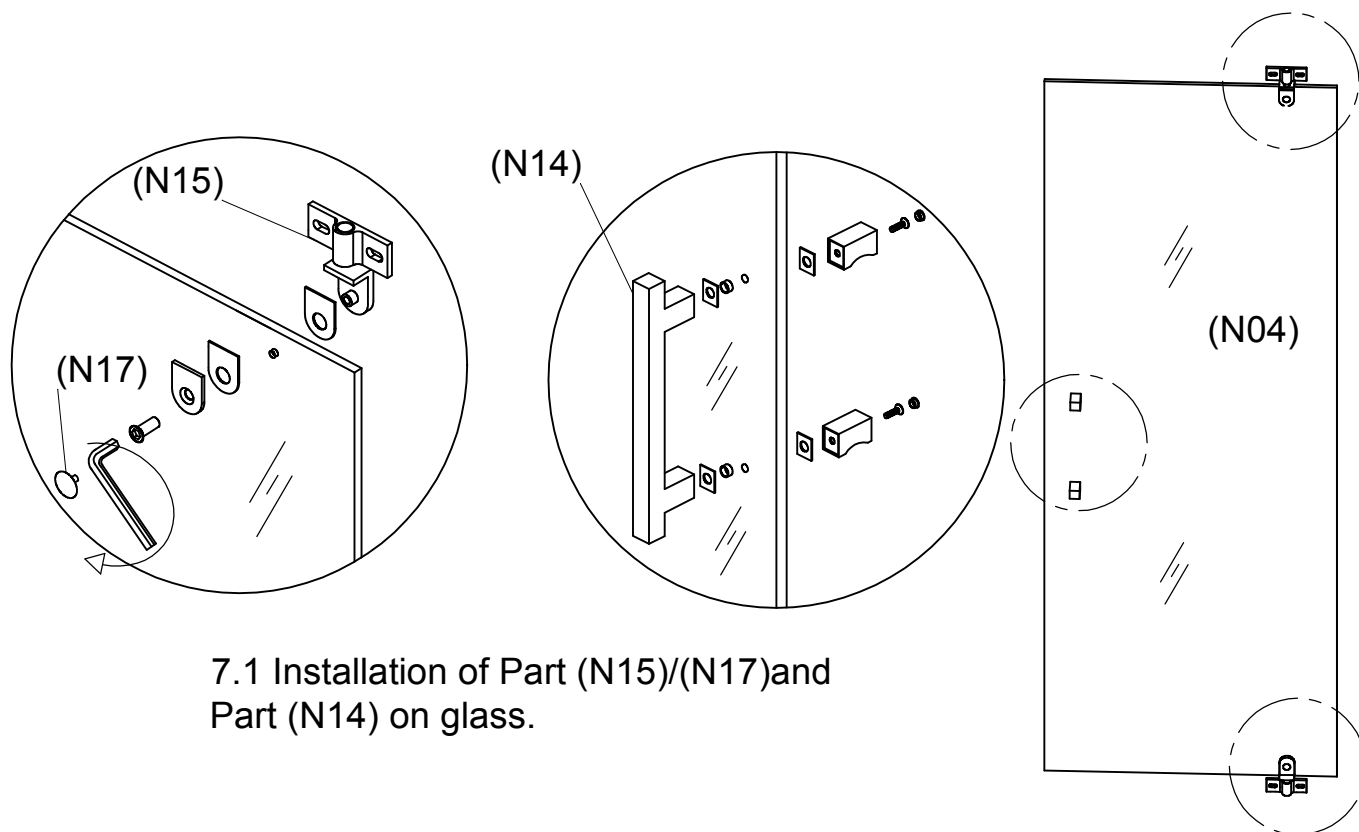
6.1 Drill  $\text{Ø}3.2\text{mm} \times 6$  holes where Part (N01) and Part (N06)/(N02) overlap



6.2 After Part (N11)x6 passes through Part (N12)x6, Screw Part (N01)x2 securely and finally cover Part (N12)x6.



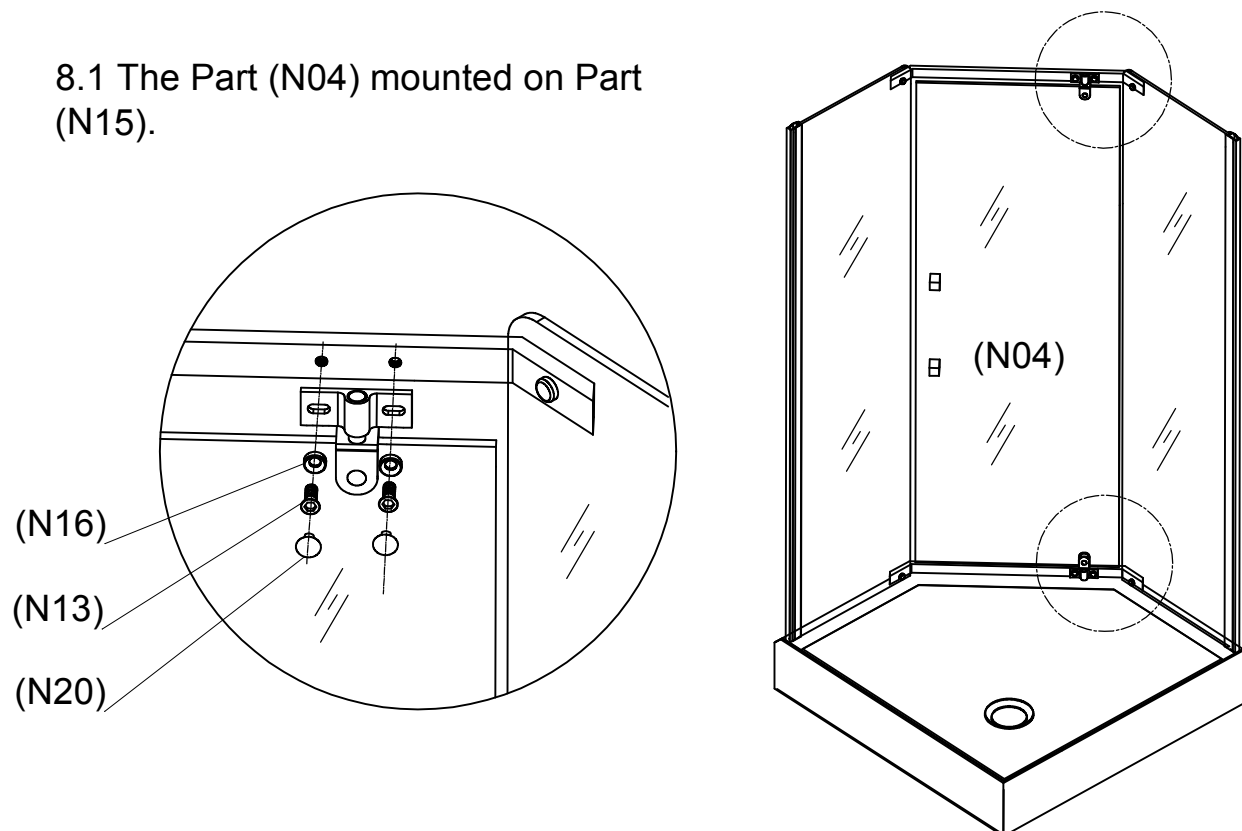
## Step 7



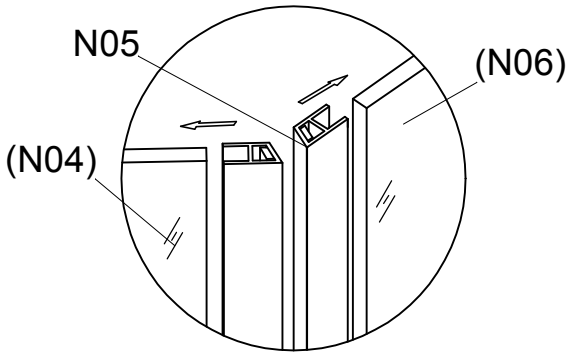
7.1 Installation of Part (N15)/(N17) and Part (N14) on glass.

## Step 8

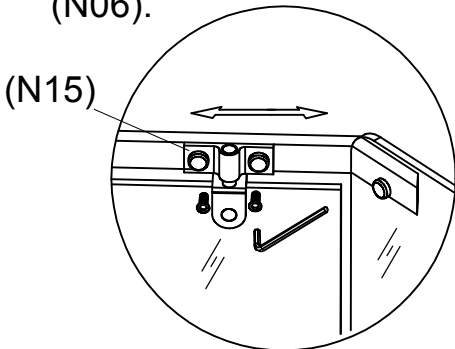
8.1 The Part (N04) mounted on Part (N15).



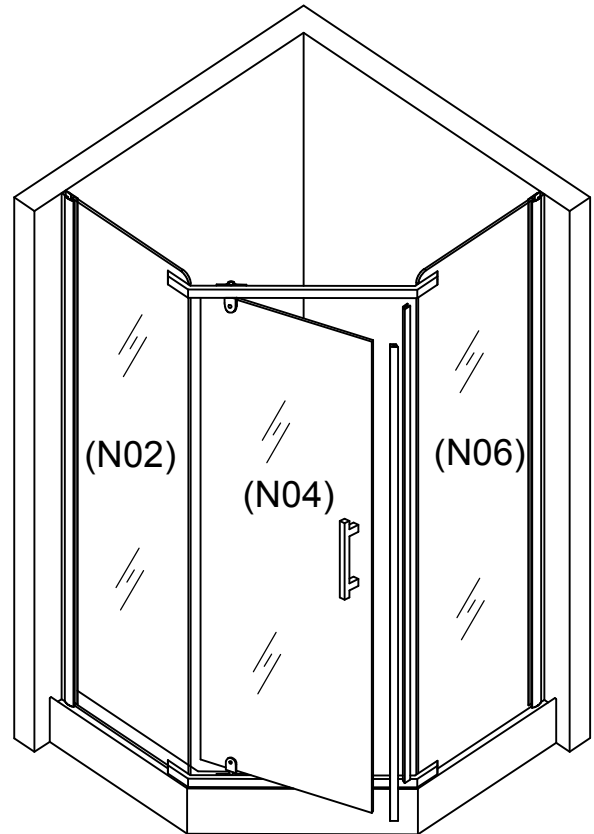
## Step 9



9.1 Snap Part (N05) to Part (N04) and Part (N06).

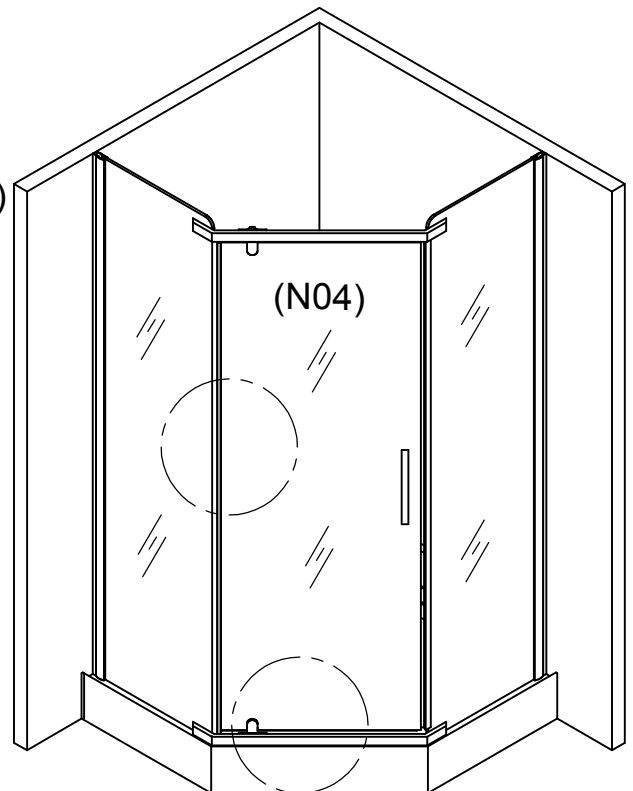
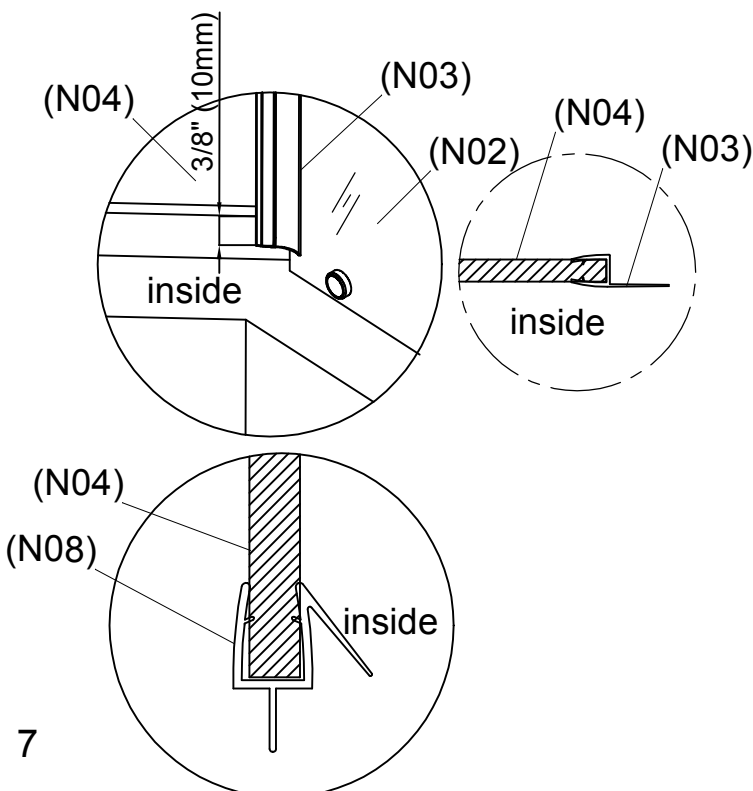


9.2 Adjust the position of the hinges Part (N15) to ensure that the glass door closes properly.

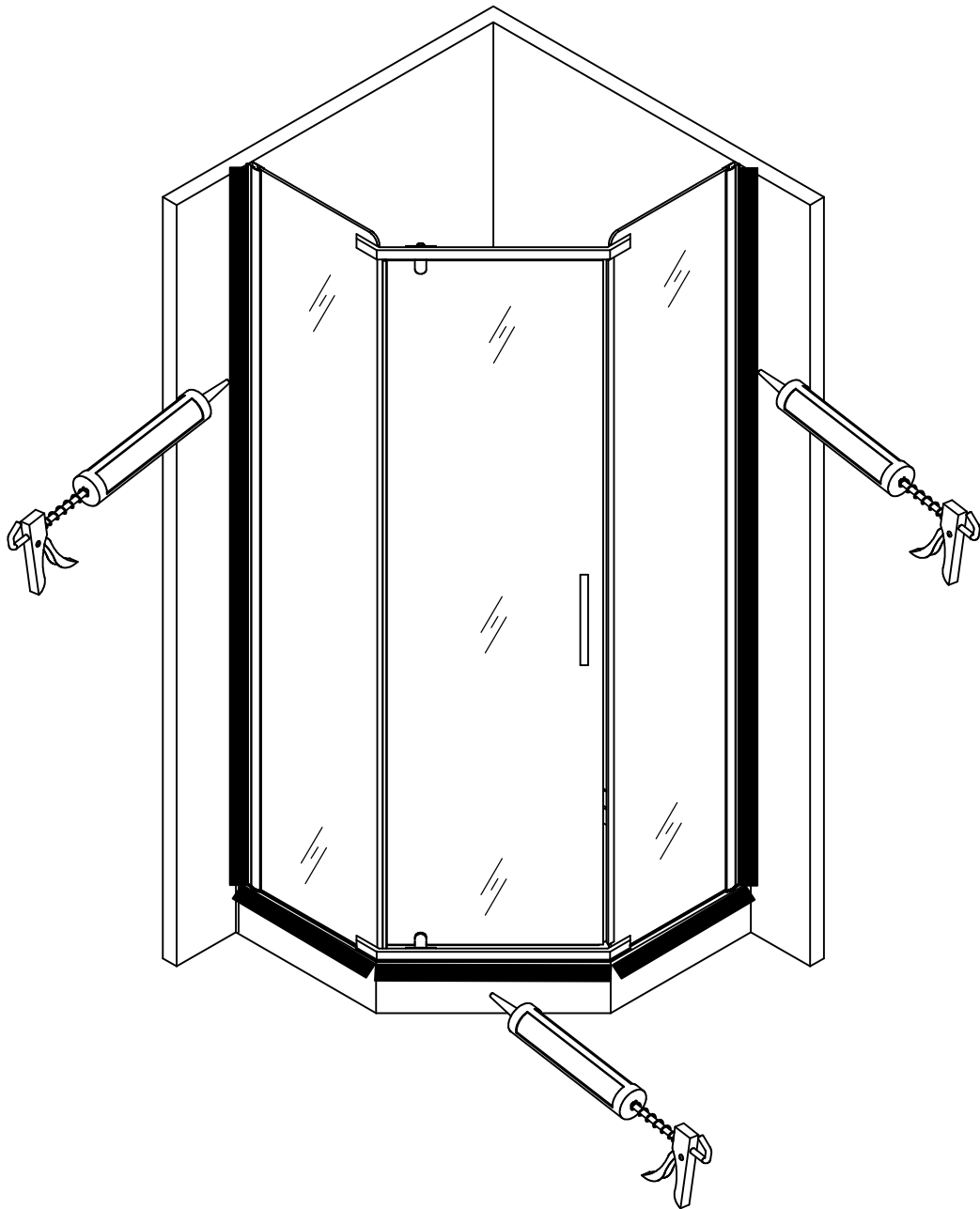


## Step 10

10.1 Snap Part (N03) and Part (N08) to Part (N04).



## Step 11



Allow 24 hours for silicone to dry before use.  
Silicone on the outside edge only

## Product Maintenance

BASES and BACKWALLS: To ensure long lasting life for your acrylic back walls: wipe them off after each use with a soft cloth. To clean the acrylic back walls use non-abrasive sprays or cream based cleaners. Avoid the use of aerosol spray cleaners. Never use abrasive cleansers, metal brushes or scrapers that could permanently scratch or dull the surface.

GLASS: To ensure long lasting life for your glass shower products: wipe them off after each use with a soft cloth. Rinse and wipe off the glass using either a soft cloth or a squeegee to prevent soap buildup and water spots (Hard water can etch the surface of the glass over time if left to dry). To prevent scratching the surface: never use abrasive cleaners or cleaning products that contain scouring agents. Never use bristle brushes or abrasive sponges that may scratch the surface of the glass.

HARDWARE: To ensure a long lasting finish: wipe off all metal parts after each use with a soft cloth. Do not use abrasive cleaners or cleaning products containing ammonia, bleach or acid. If accidentally used, rinse the surface as soon as possible to prevent damage to the finish (peeling or corrosion). After cleaning the polished finishes, rinse thoroughly and wipe dry with a soft clean-cloth. Clean stainless steel surfaces at least once a week. When applying stainless steel cleaner or polish to stainless steel hardware, work with the grain (not across the grain). Never use an abrasive sponge or cloth, steel wool or wired brush as these may permanently scratch the surfaces.



To maximize the life of your door, it is important to regularly inspect the glass and other hardware for misalignment, proper attachment, and/or damage.

### Maintenance Checklist

Check that the unit is stable, operates smoothly and that the installation is secure

Confirm that all screws are tight

Confirm that all vinyl seals are intact (replace if missing or damaged to prevent water leakage)

Inspect exposed and concealed glass edges for damage

Damaged Glass Must be Replaced

# ELEGANT

---

**TEL: 626-977-3800**