

# Rocking Chair

ASSEMBLY INSTRUCTIONS

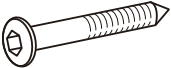
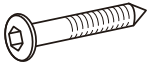
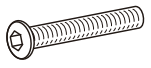
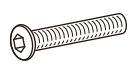



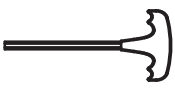
# **WARNING**

Seller and Manufacturer disclaim all and any liability for property damage, personal injury, or loss, direct, indirect, or incidental, resulting from the incorrect assembly, inadequate maintenance, improper use, or neglect of this product.

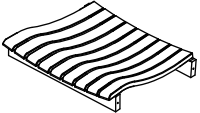
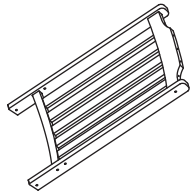
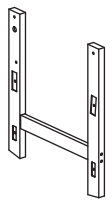




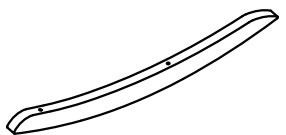
## **NOTICE**

- Retain this assembly instruction for future reference.
- Do not use this product if there are missing, damaged, or broken parts until repairs are made and/or replacements are installed.
- Check all the necessary parts are in the carton before assembly.
- Follow assembly instructions closely. Improper assembly can result in personal or property damage.
- Secure all bolts before use.
- Do not use or store this product near open flames or around flammable chemicals.
- Danger of suffocation. Keep out of reach of children. This chair is not a climbing toy.

# Hardware list for one chair

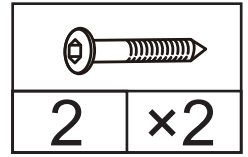
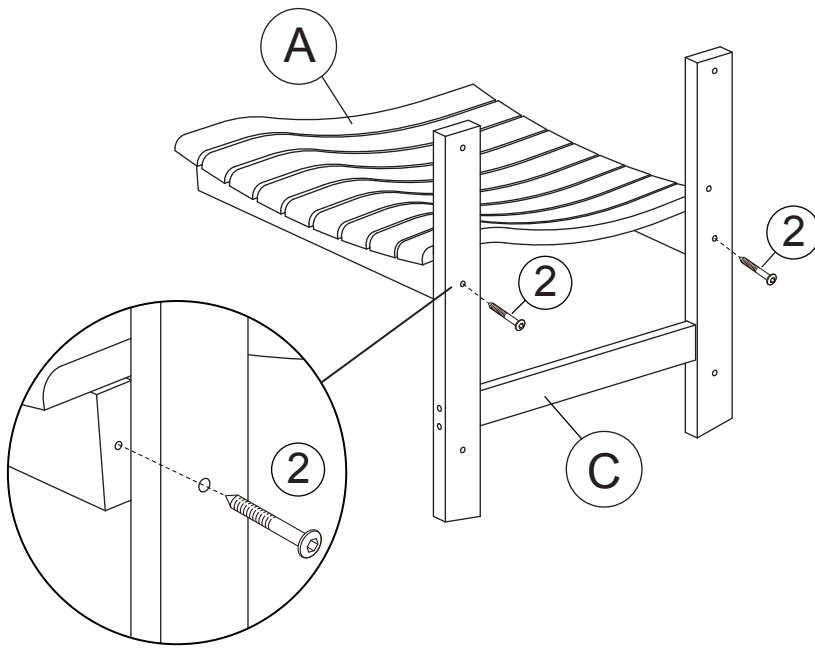
1 M6.3 x 80mm Screw  4 PCS	2 M6.3 x 50mm Screw  8 PCS	3 M6 x 80mm Bolt  2 PCS	4 M6 x 55mm Bolt  4 PCS	5 M6 WASHER  6 PCS
6 M6 NUT  6 PCS	7 NO.10 SPANNER  1 PC	8 ALLEN KEY  1 PC		

# Parts list for one chair

A. seat panel  1PC	B. back panel  1PC	C. left leg  1PC	D. right leg  1PC
E. right arm  1PC	F. left arm  1PC	G. side rail  2PCS	H. bottom leg  2PCS

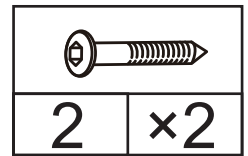
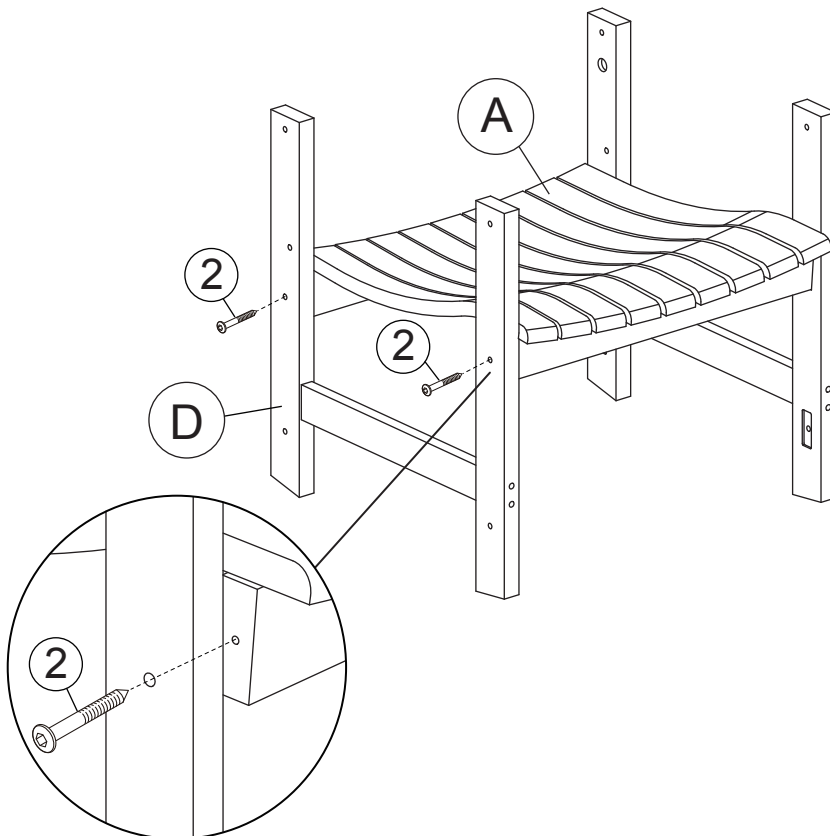
# STEP 1

---



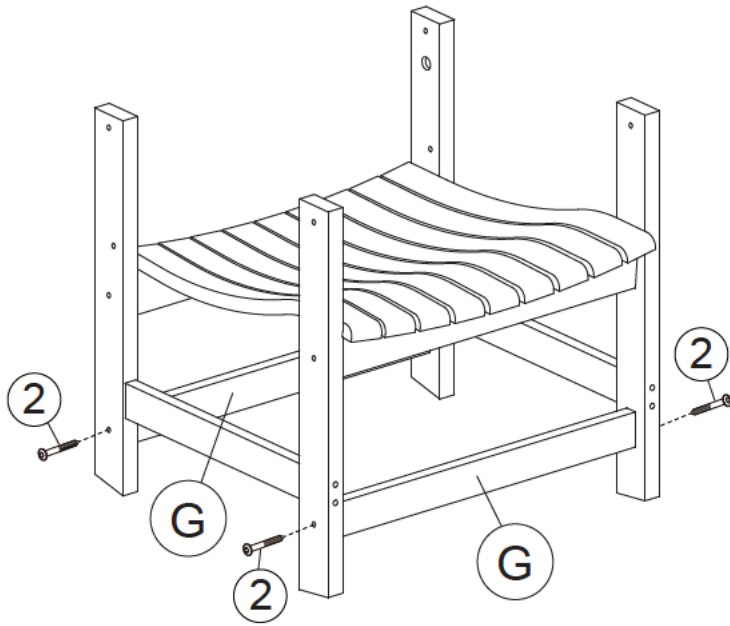
# STEP 2


---



# STEP 3

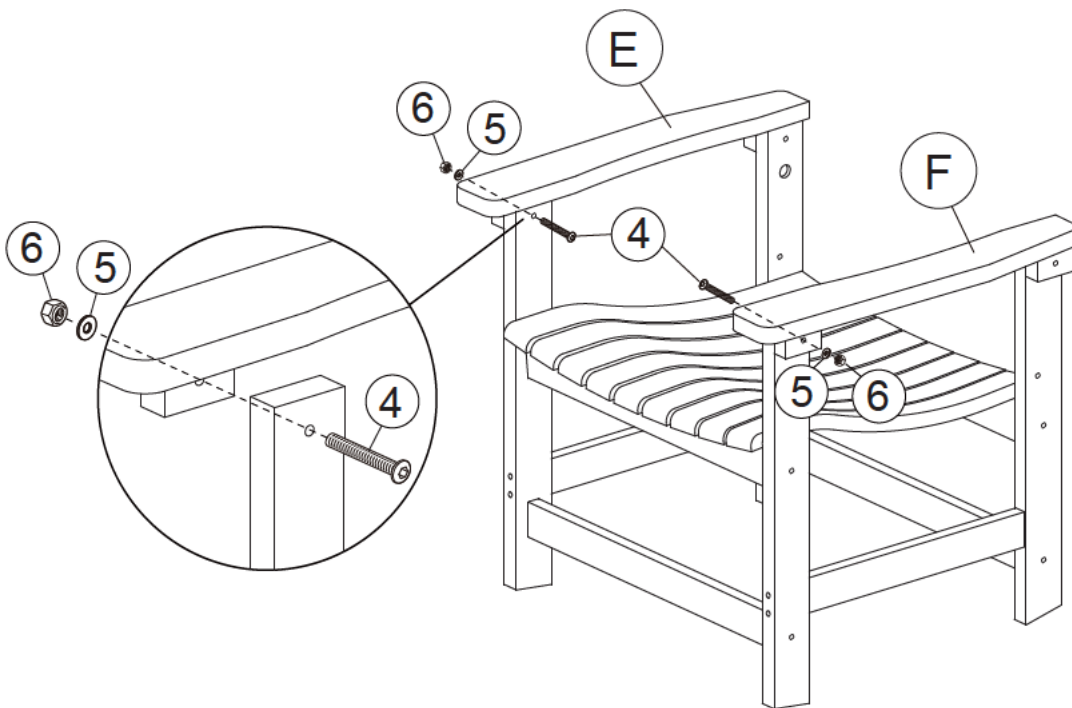
---






	
2	x4

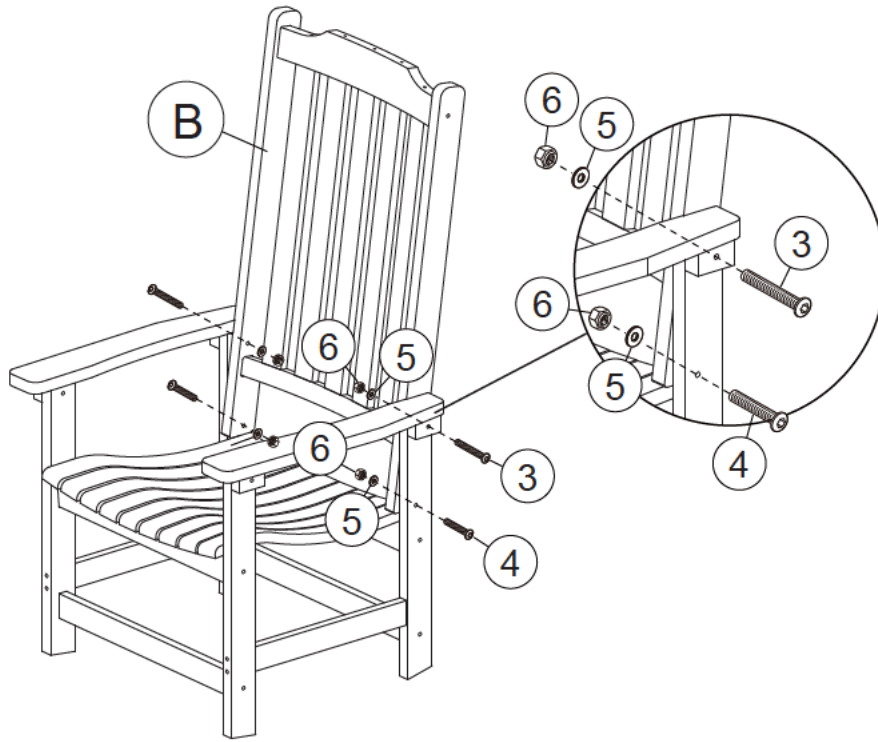
# STEP 4





---



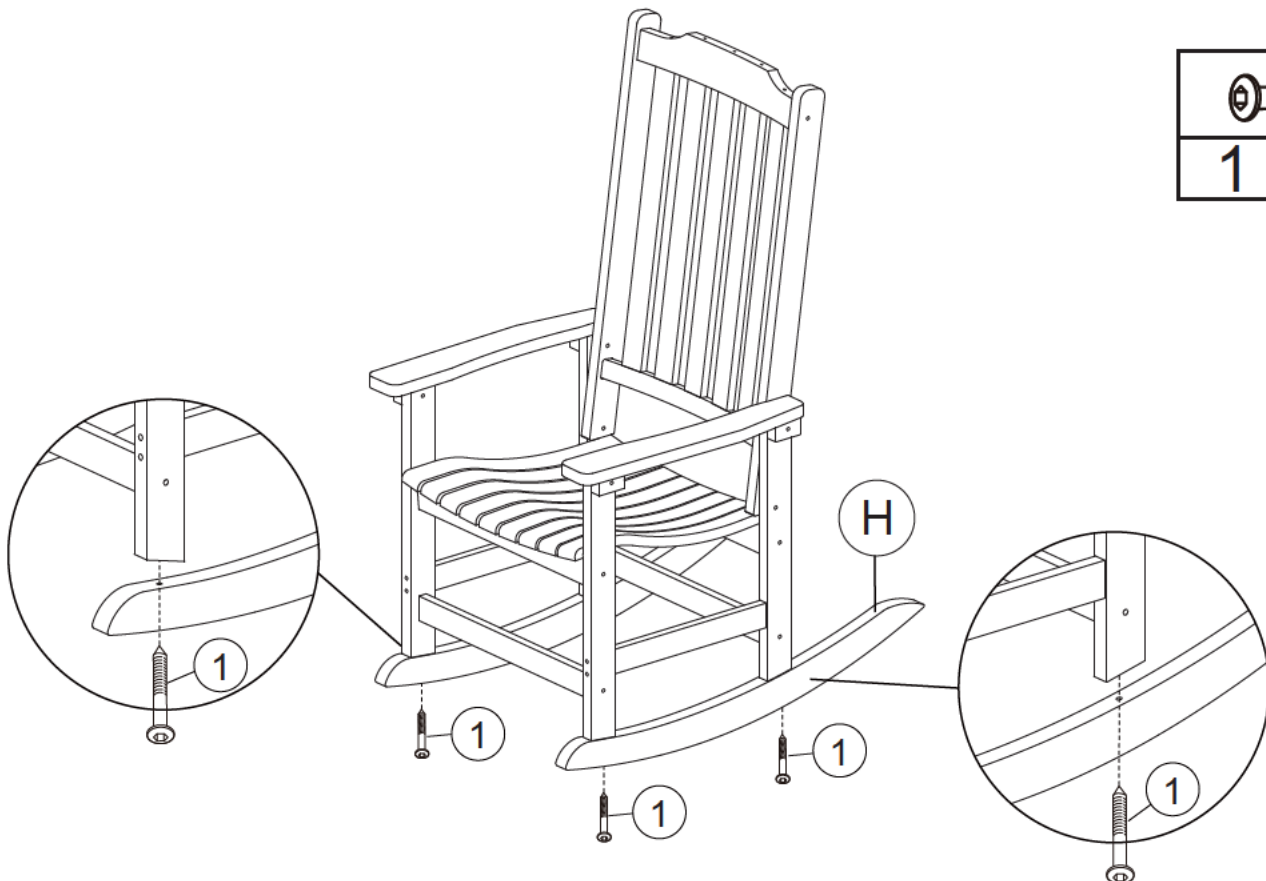
	
4	x2
	
5	x2
	
6	x2


# STEP 5



	
3	x2
	
4	x2
	
5	x4
	
6	x4

# STEP 6



	
1	x4

