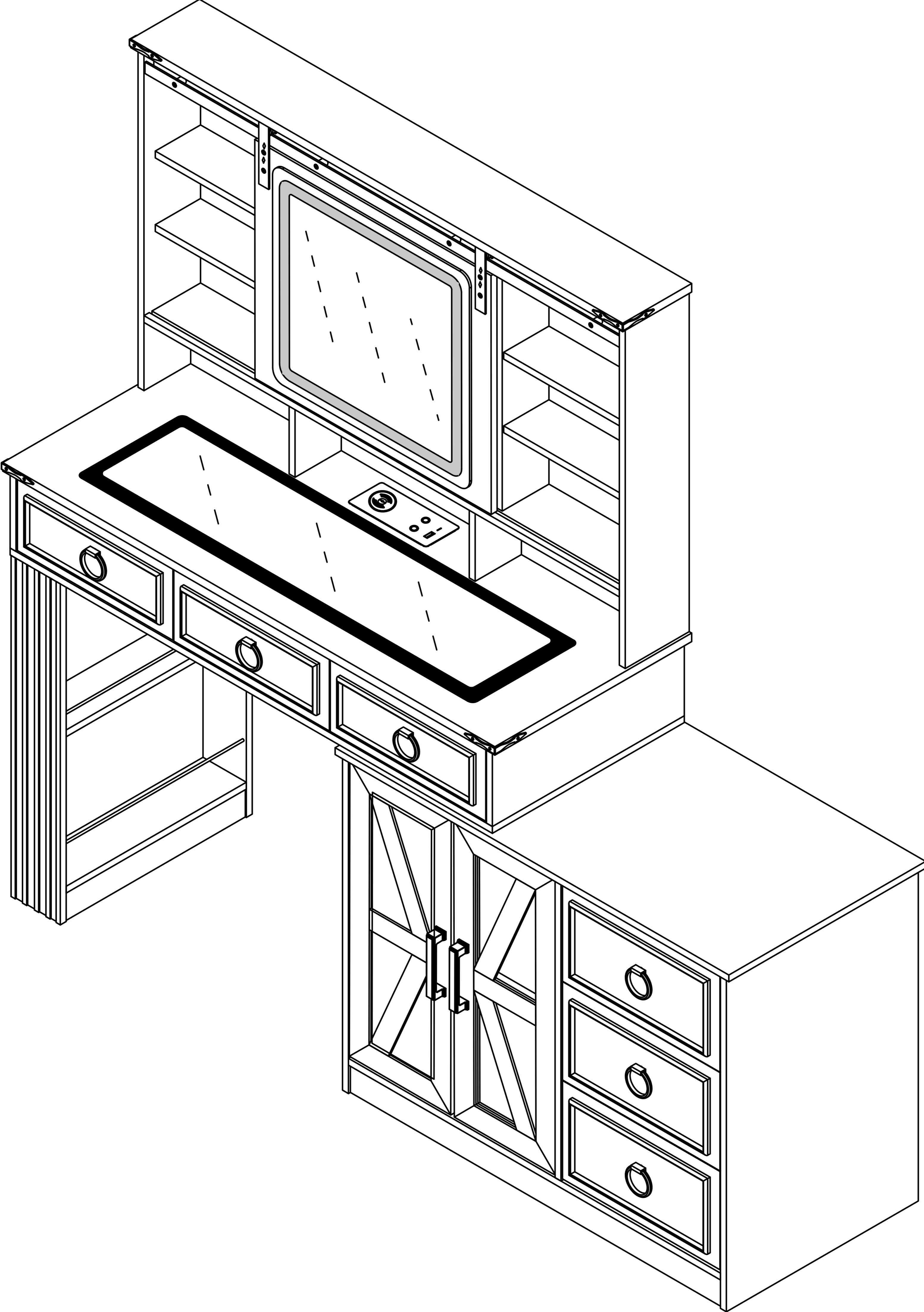
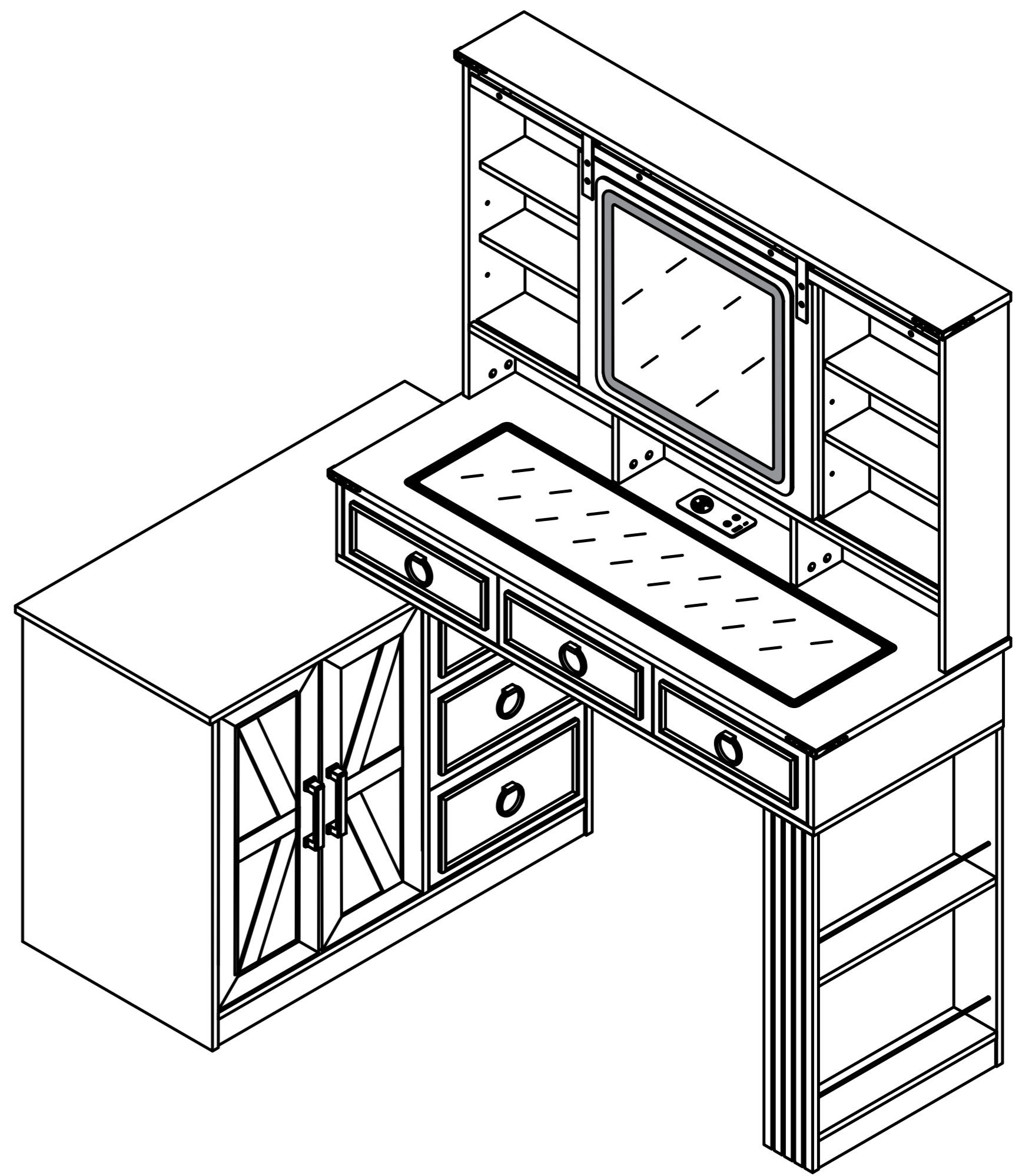
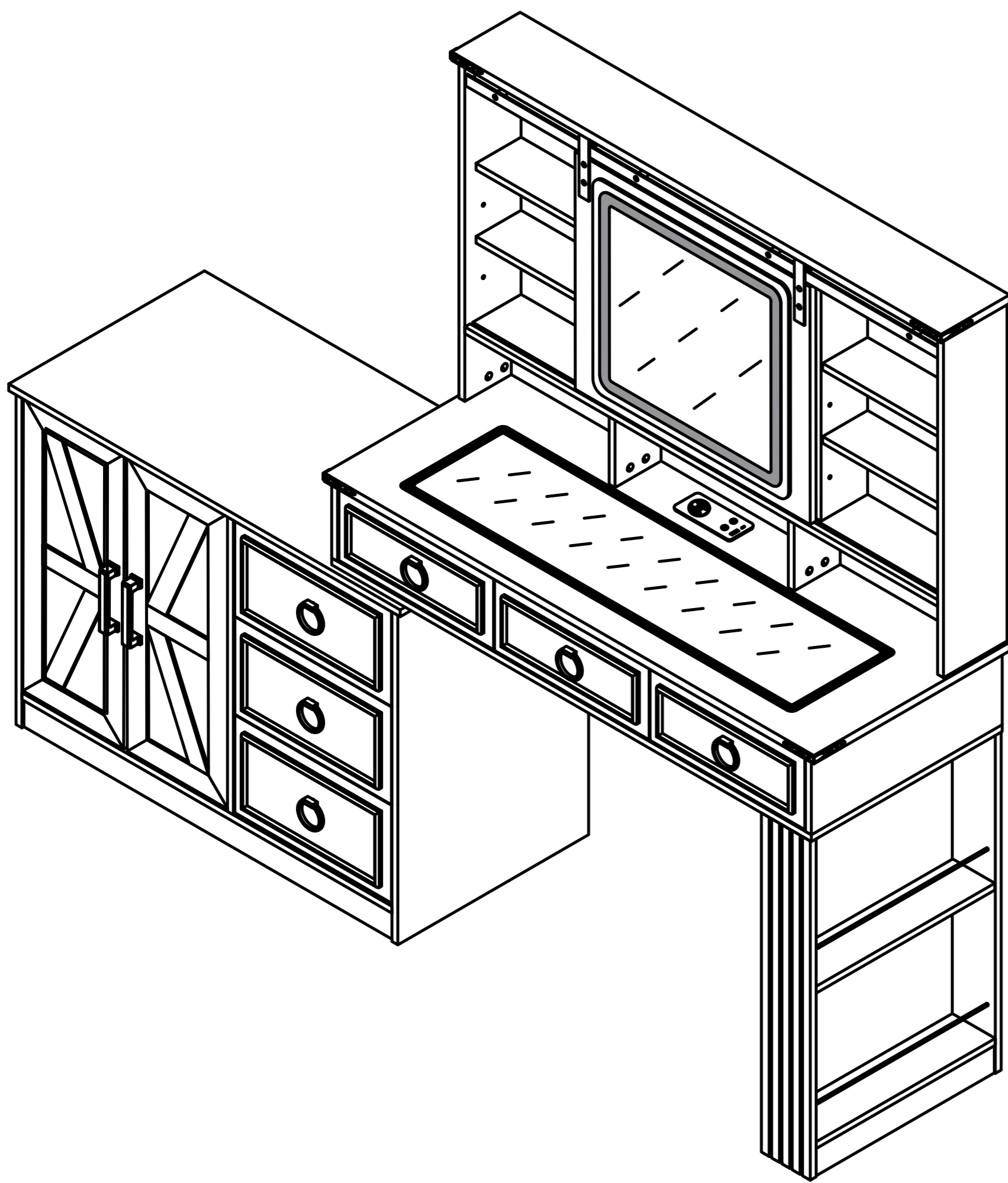


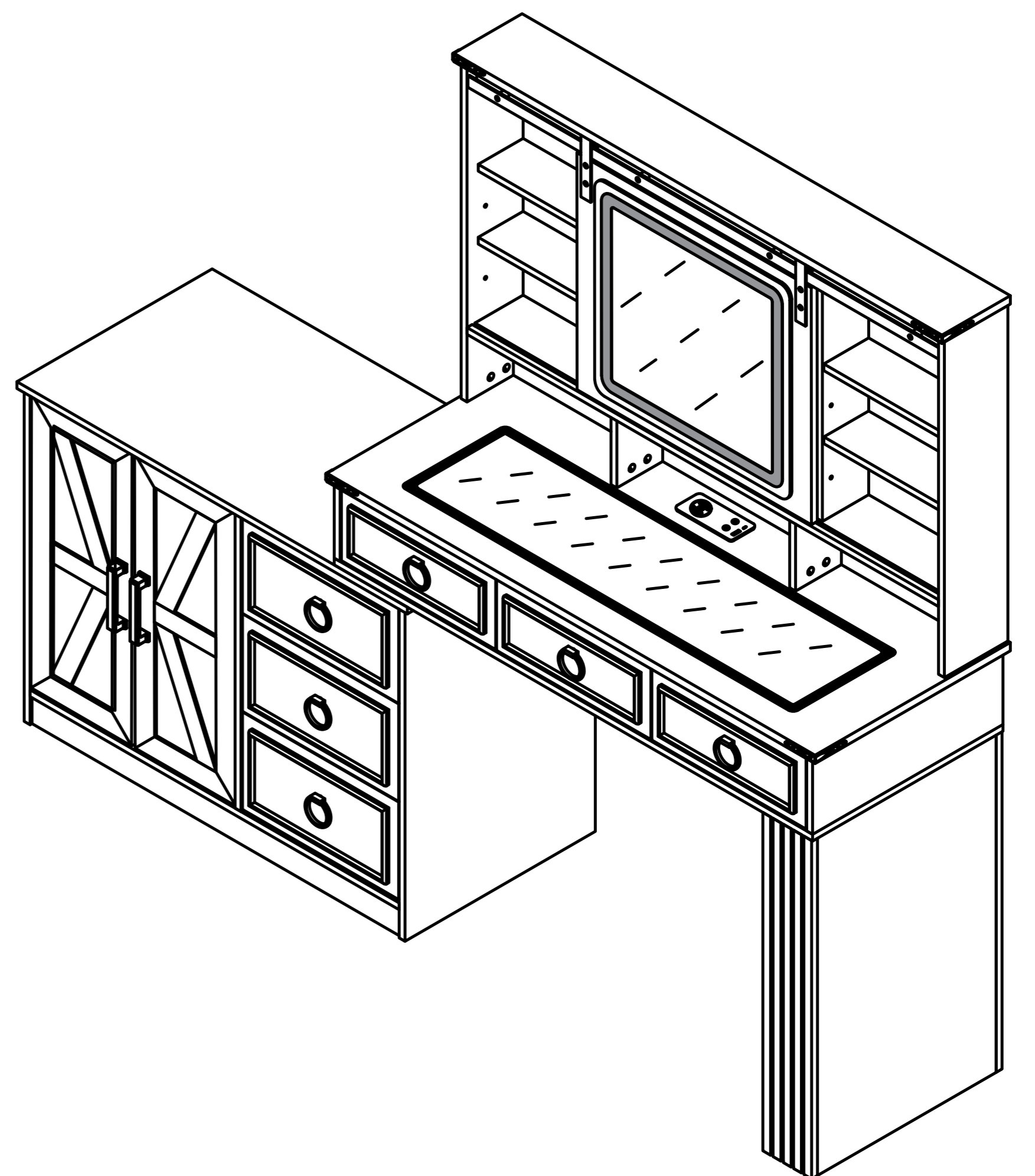
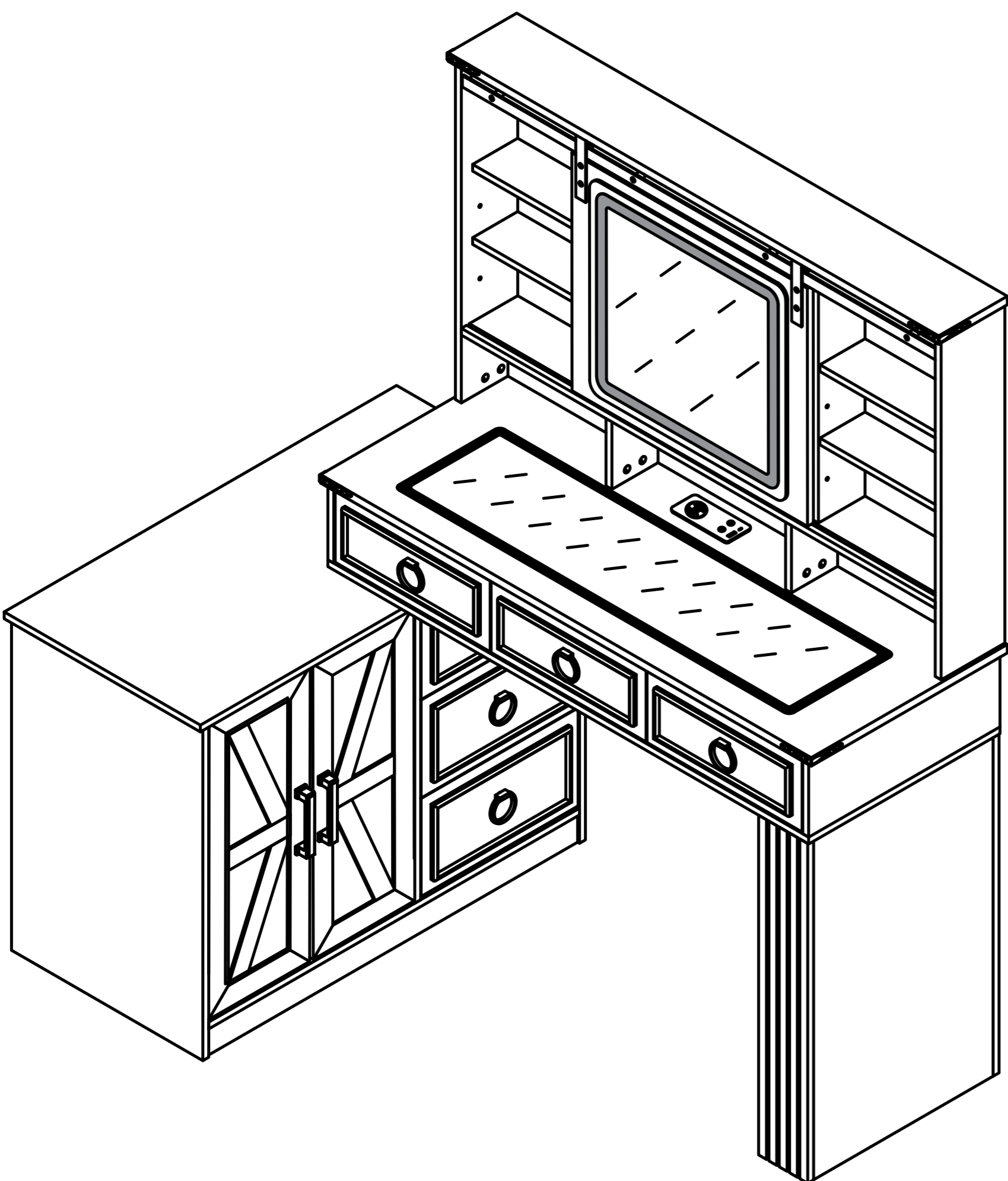
# Product Installation Instructions



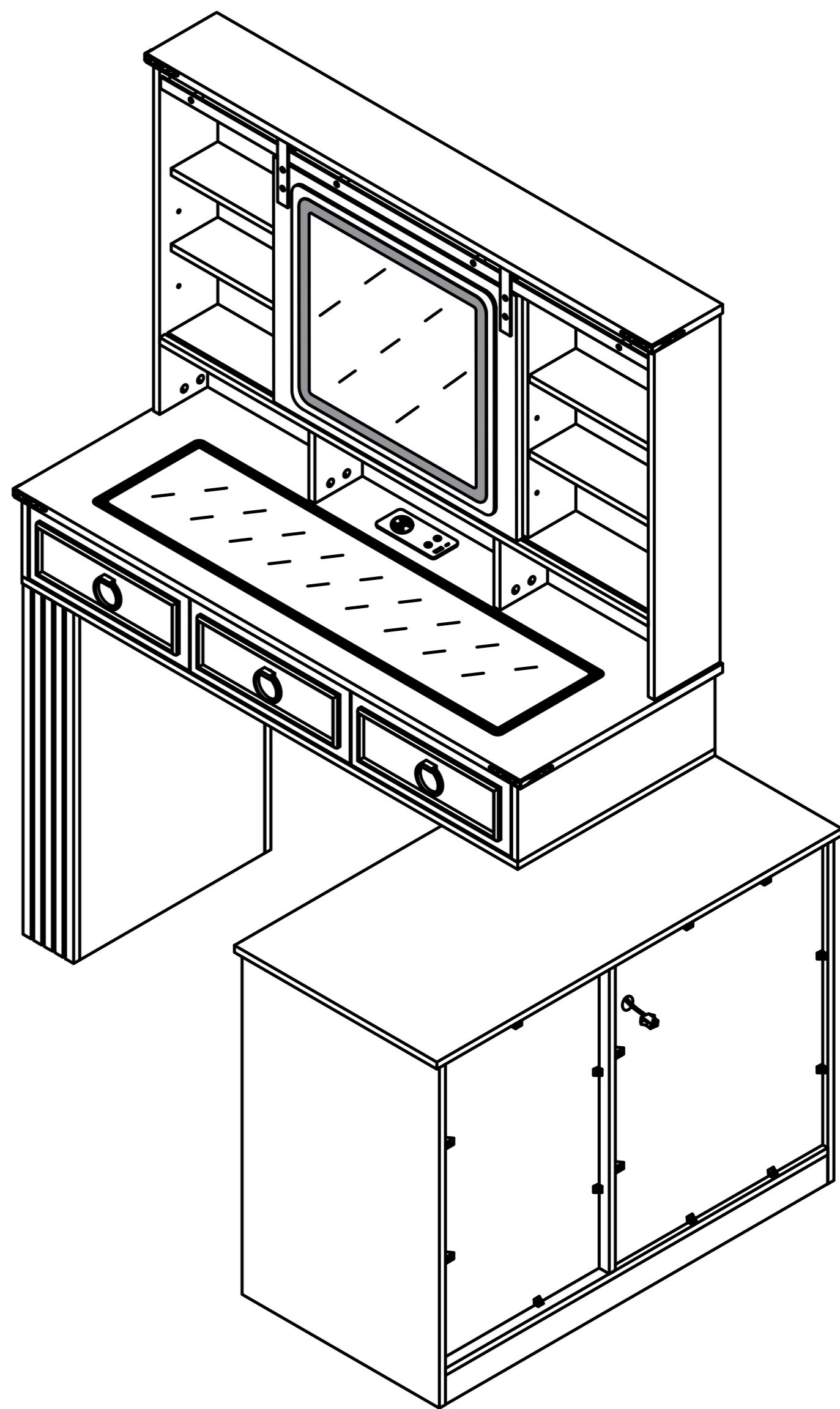
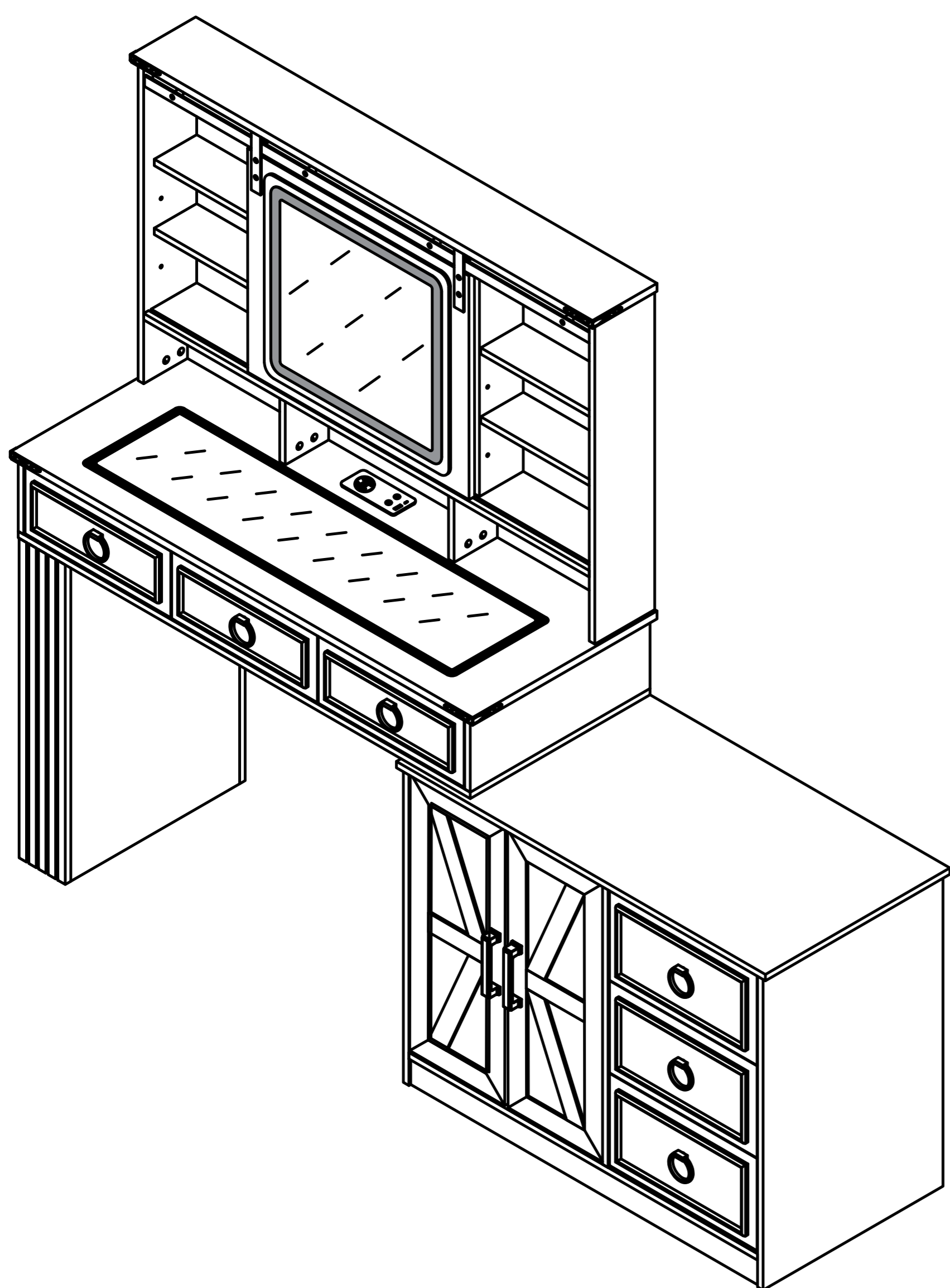
# Effect 1



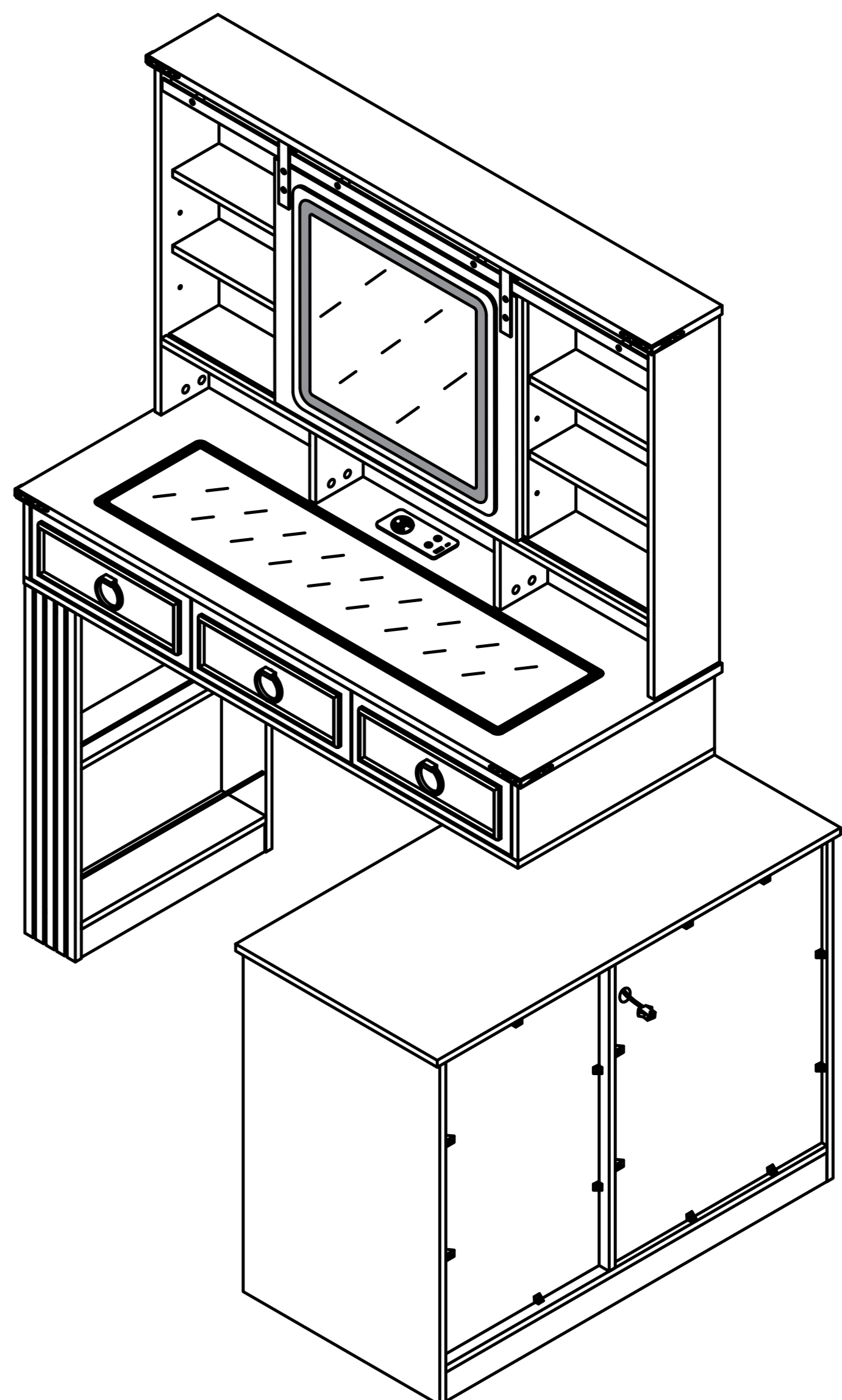
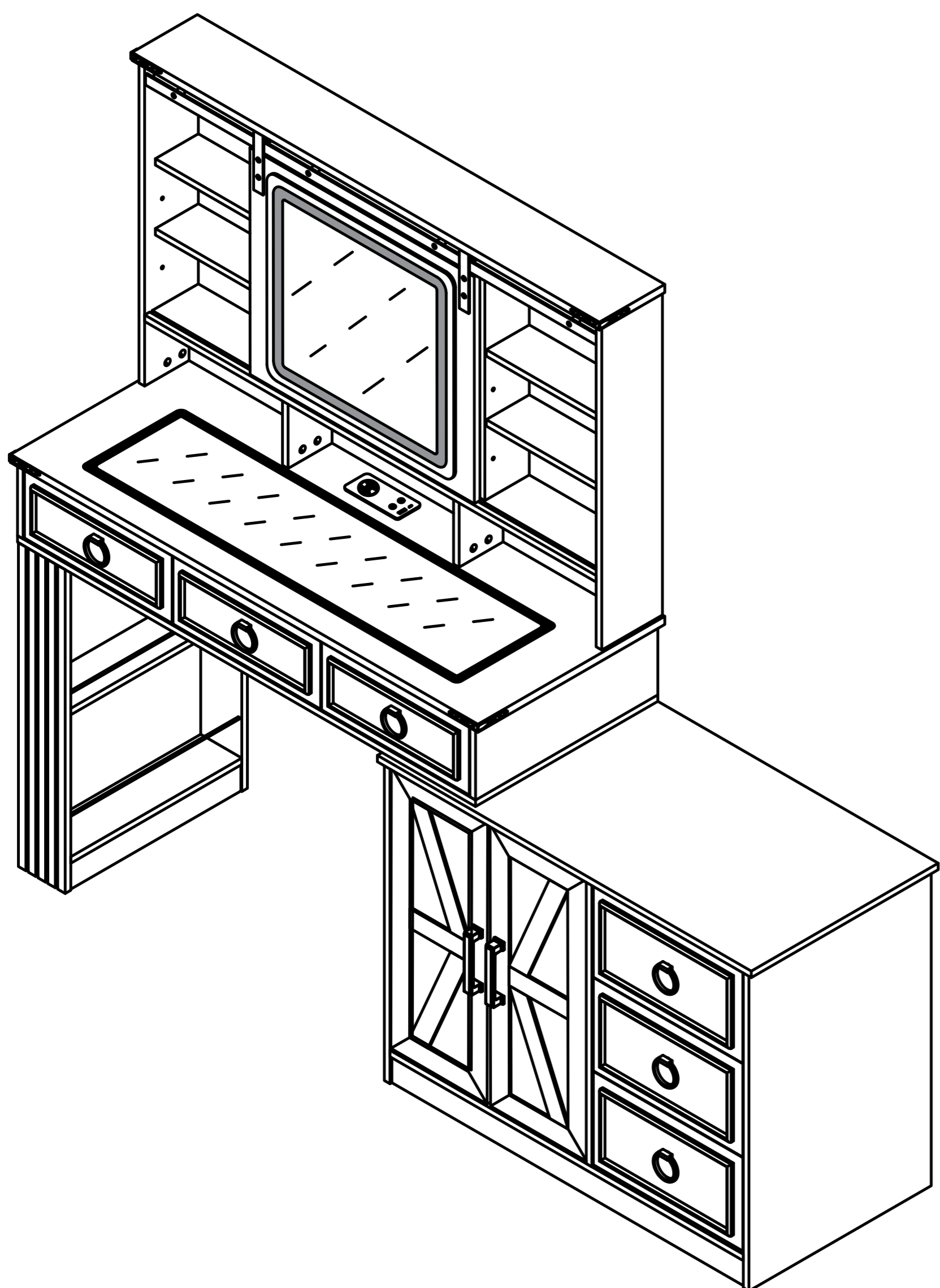
# Effect 2

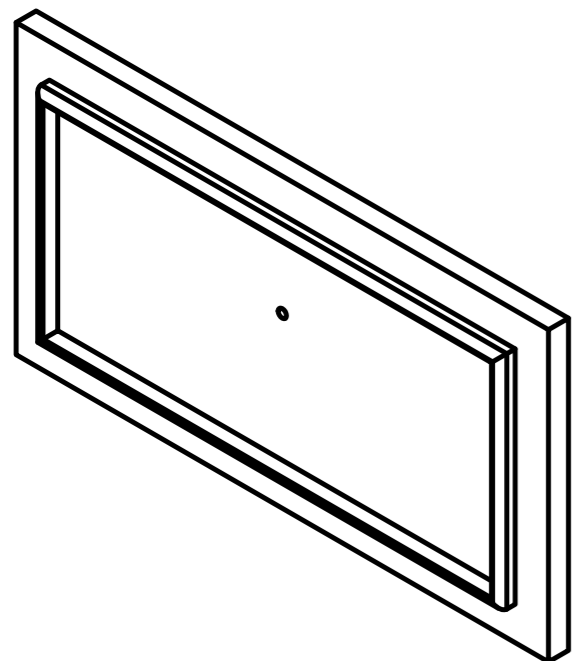


# Effect 3

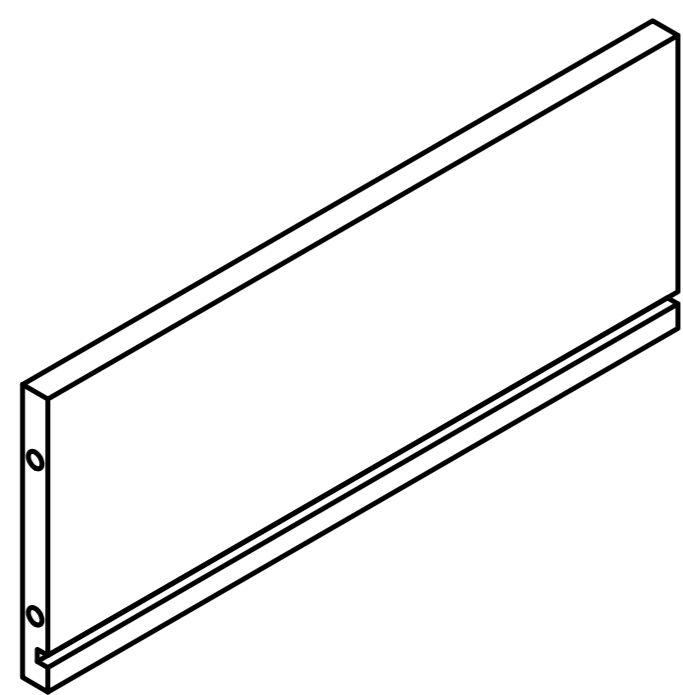


# Effect 4

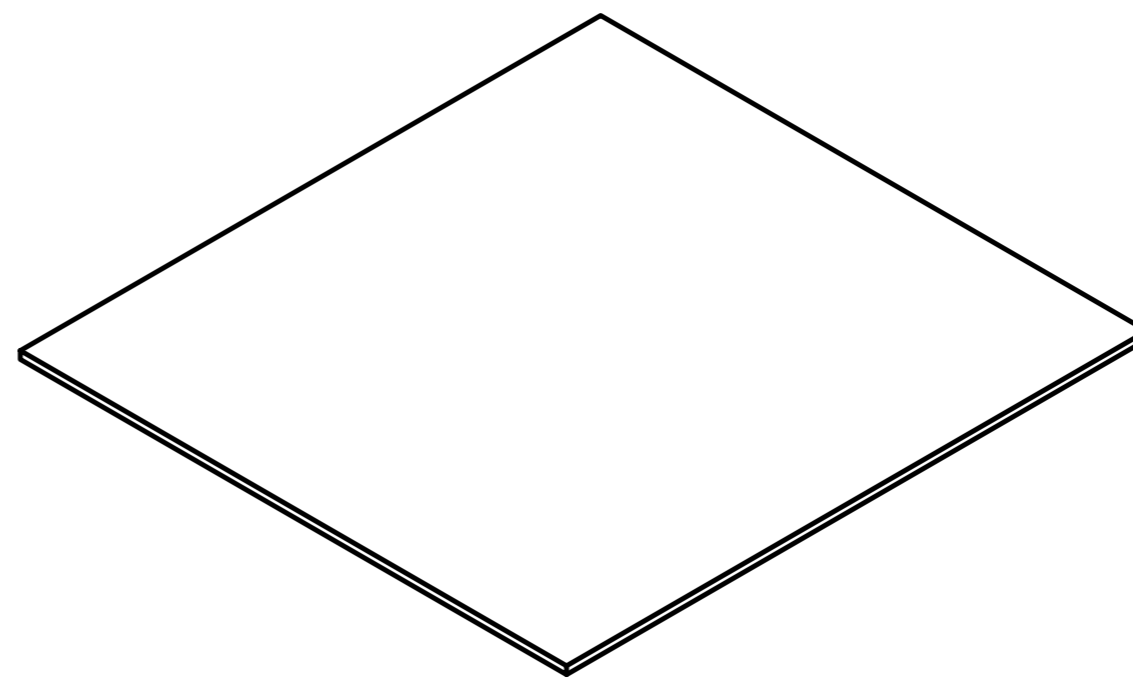




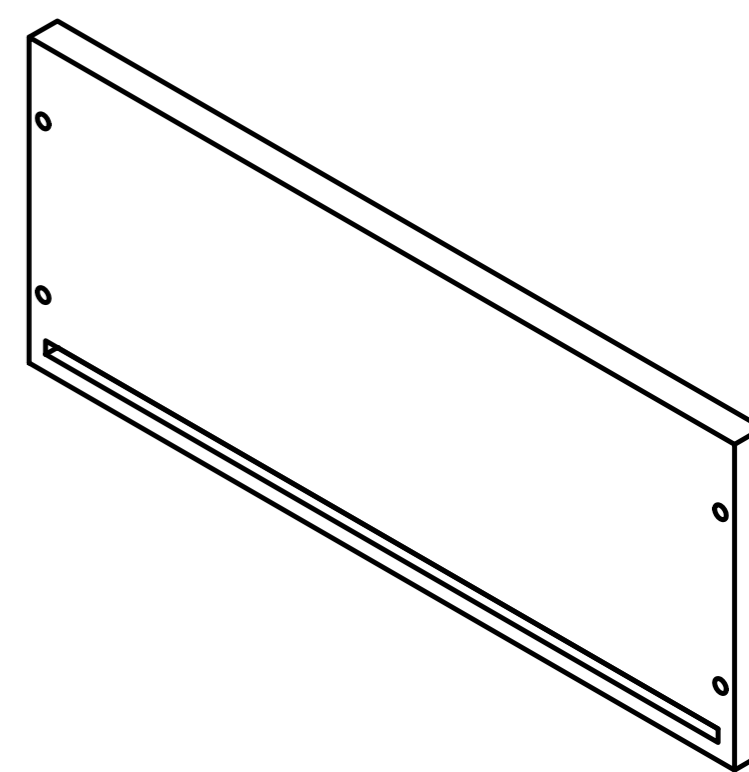
1x3



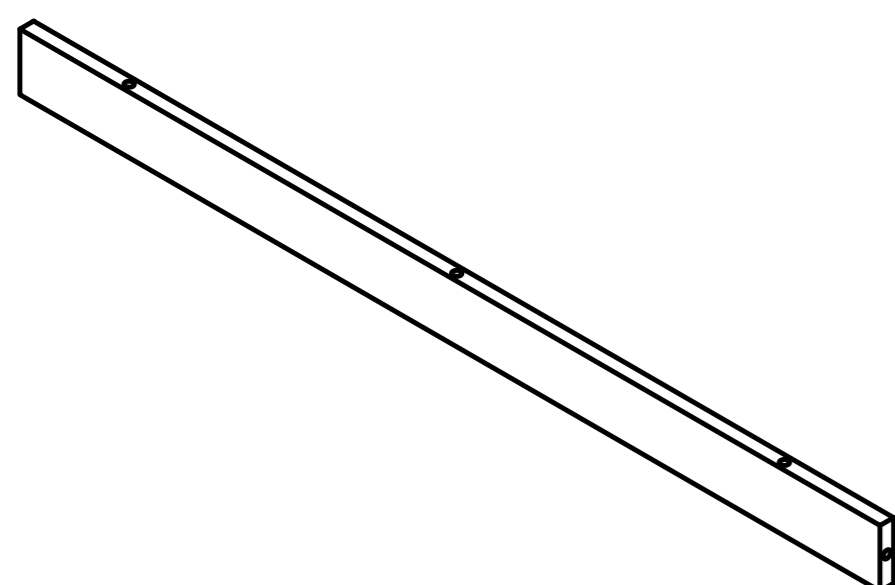
2x6



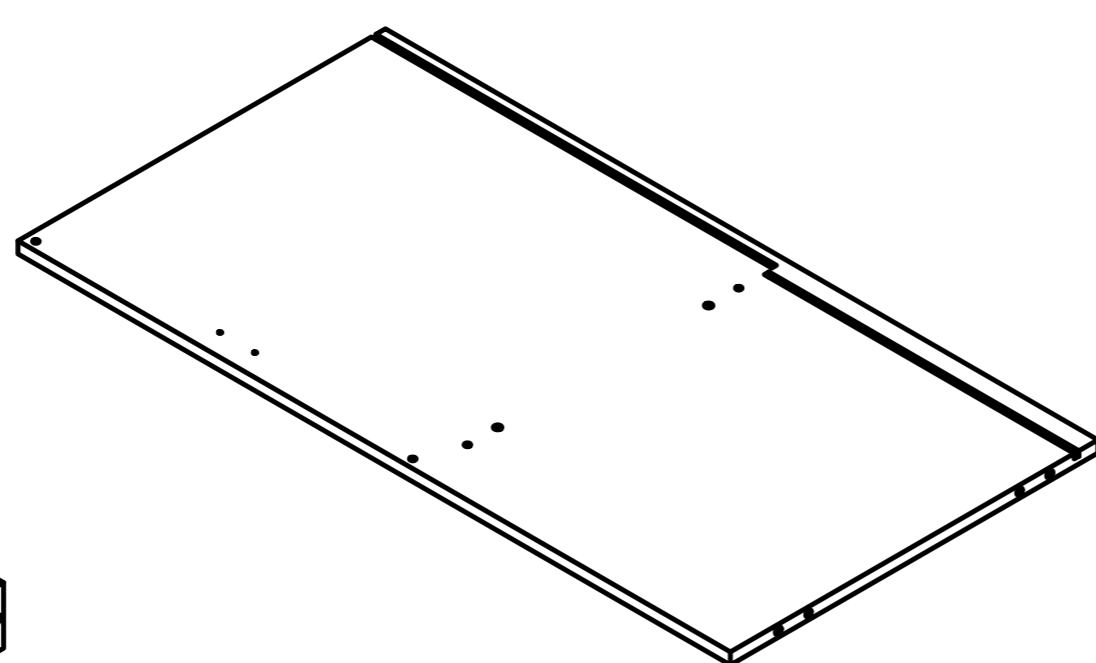
3x3



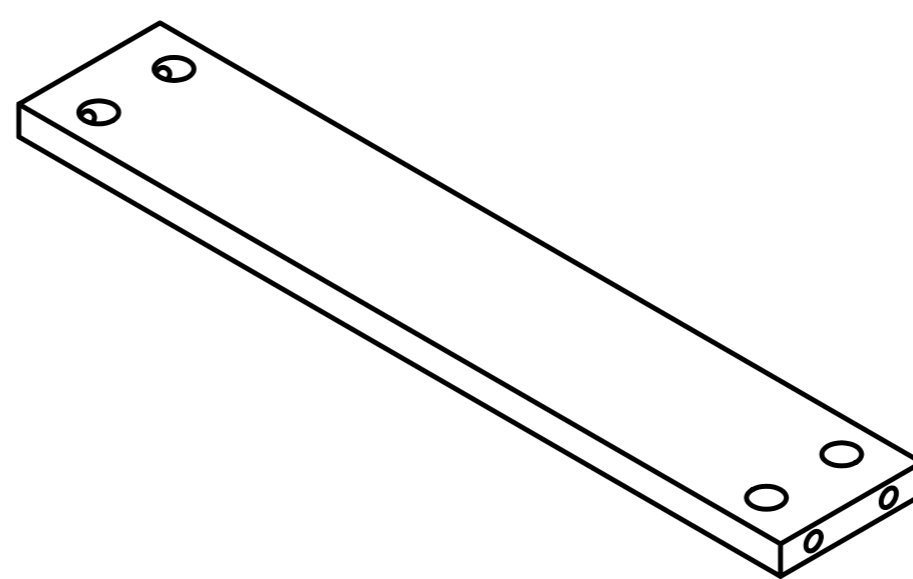
4x3



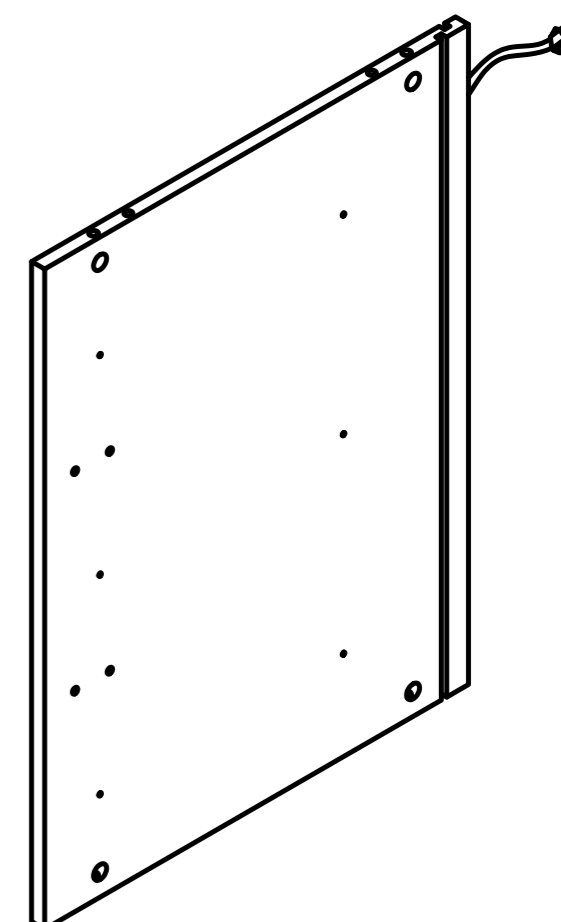
5x2



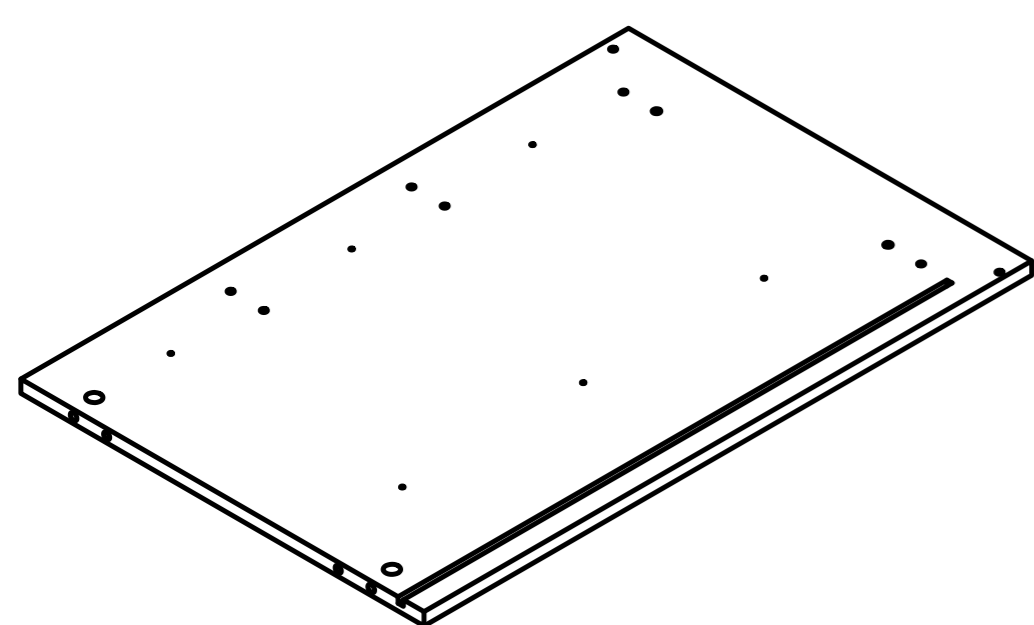
6x1



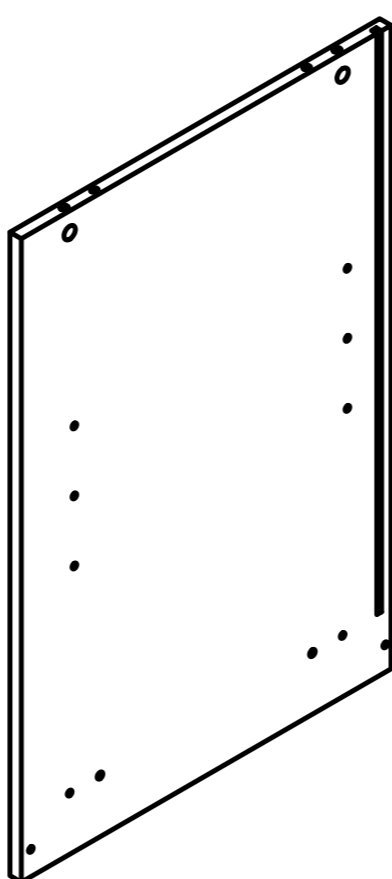
7x2



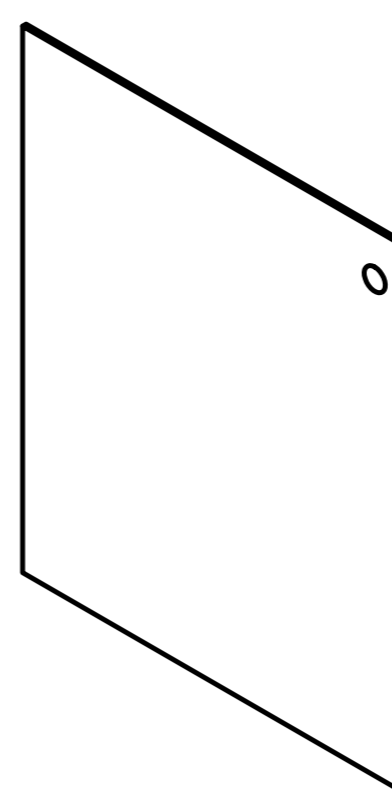
8x1



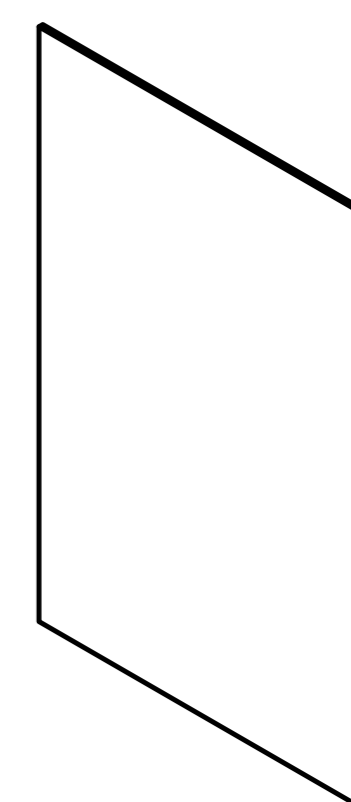
9x1



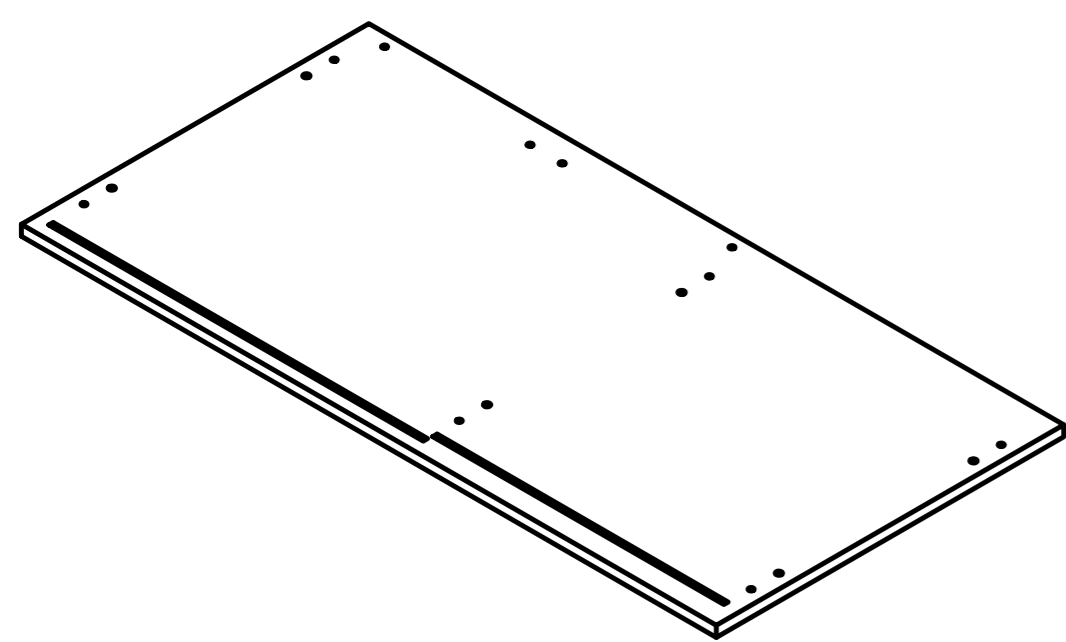
10x1



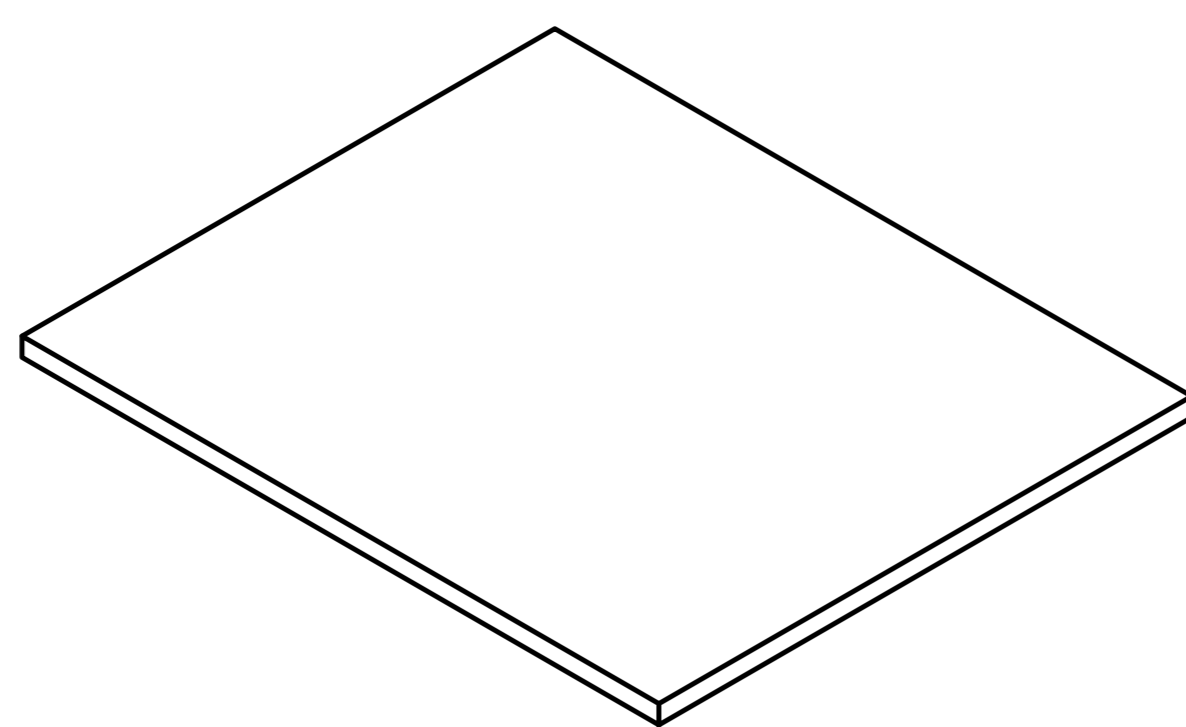
11x1



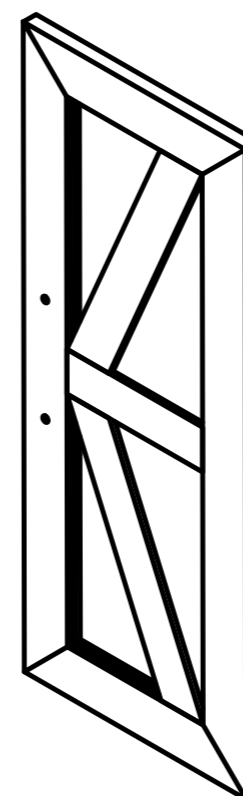
12x1



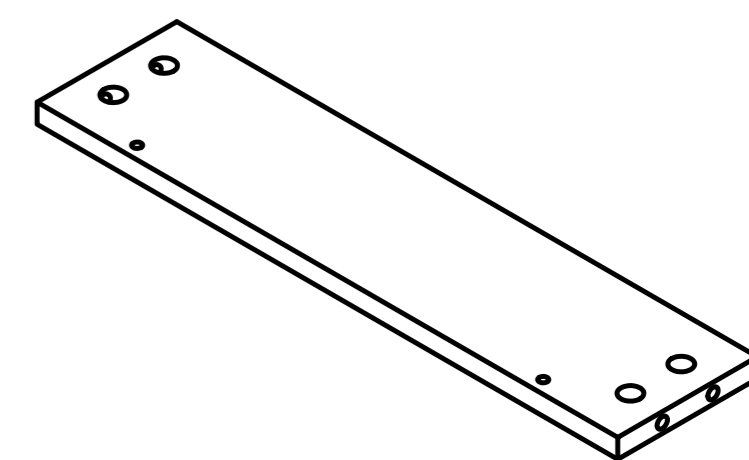
13x1



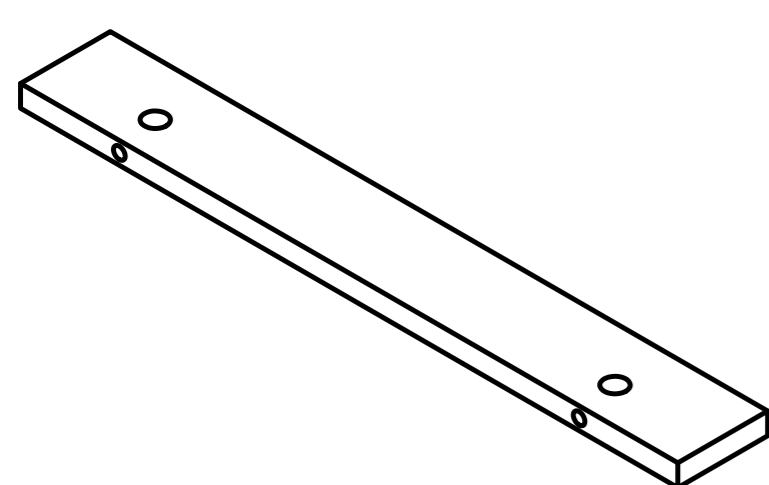
14x1



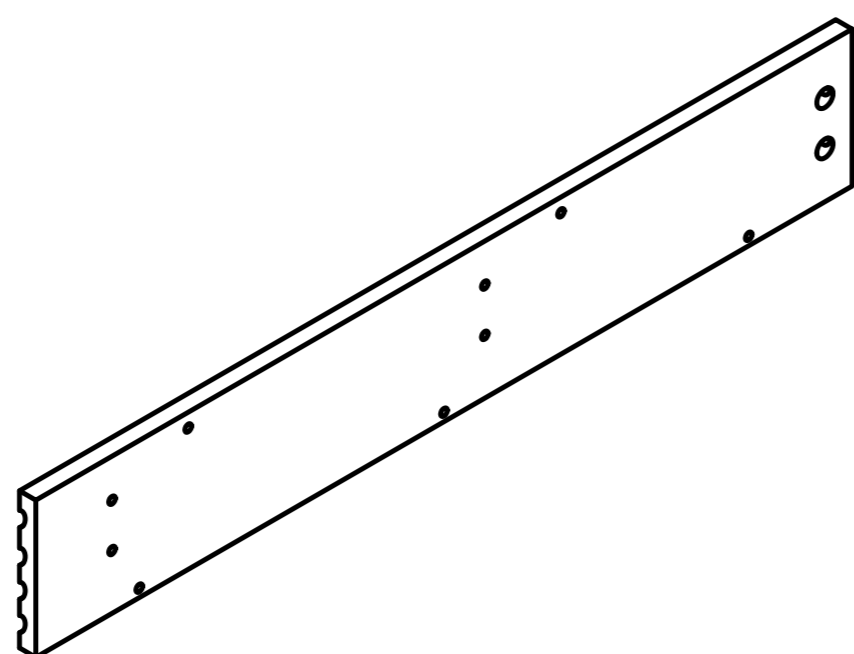
15x2



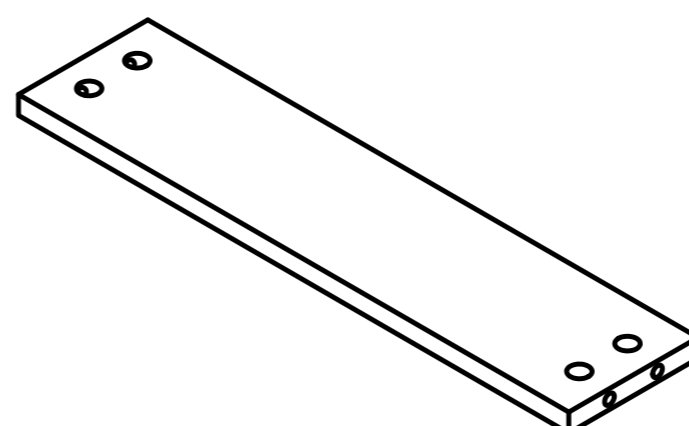
16x1



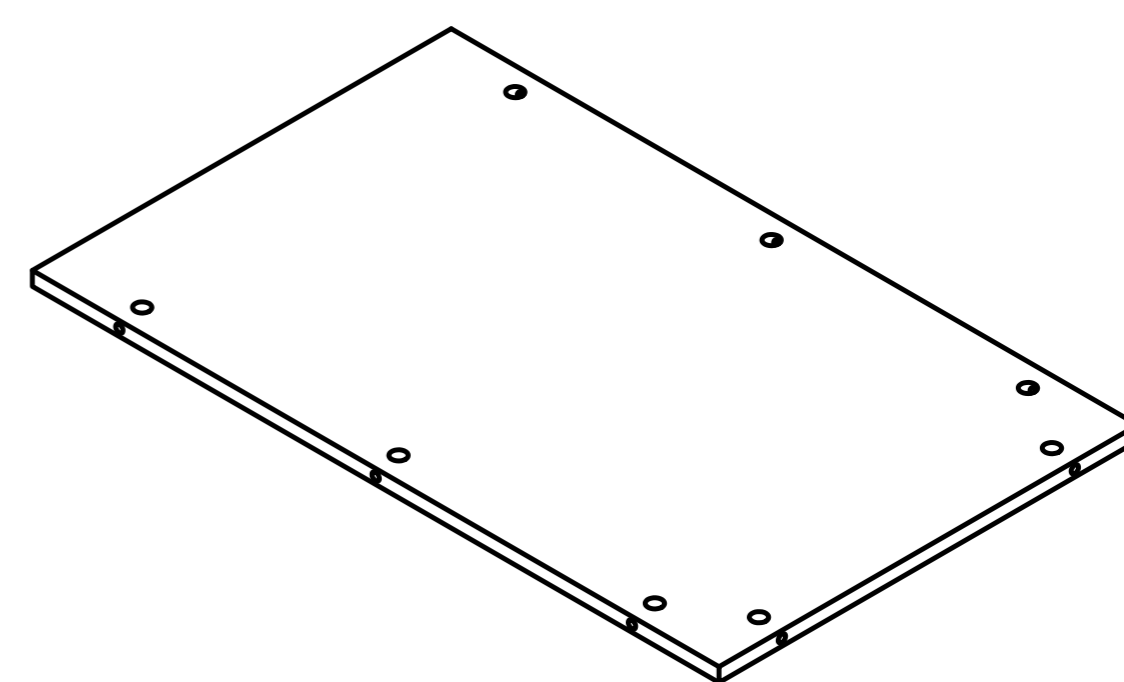
17x1



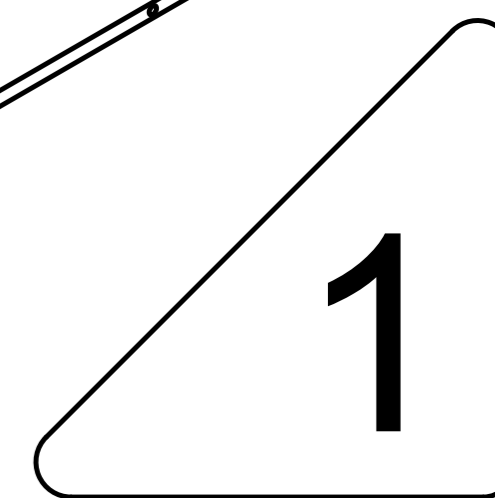
18x1



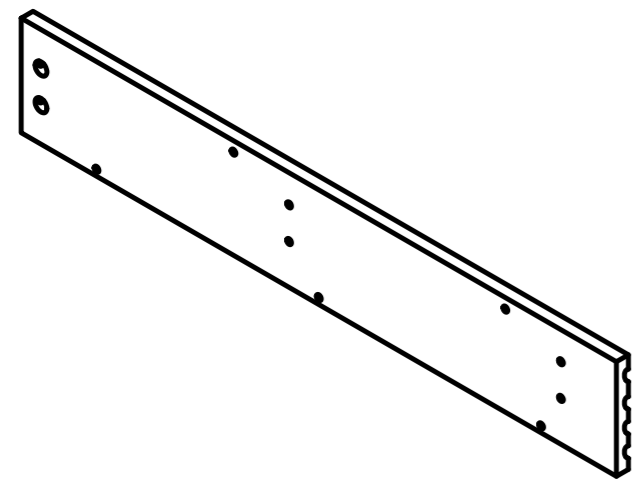
19x1



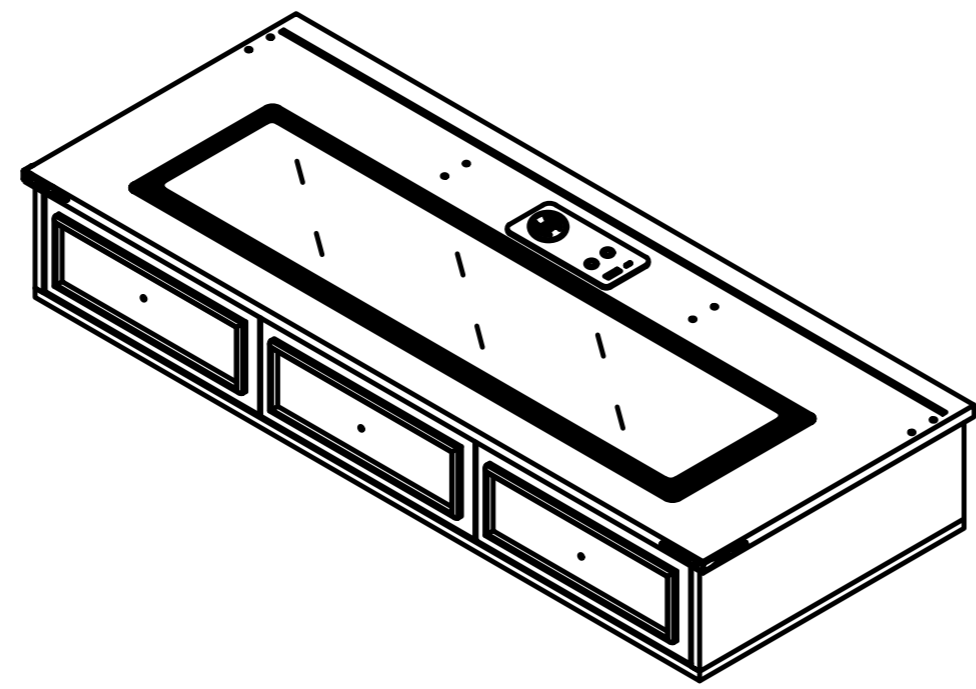
20x1



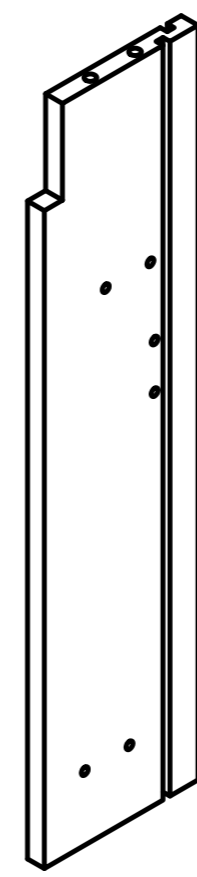
1



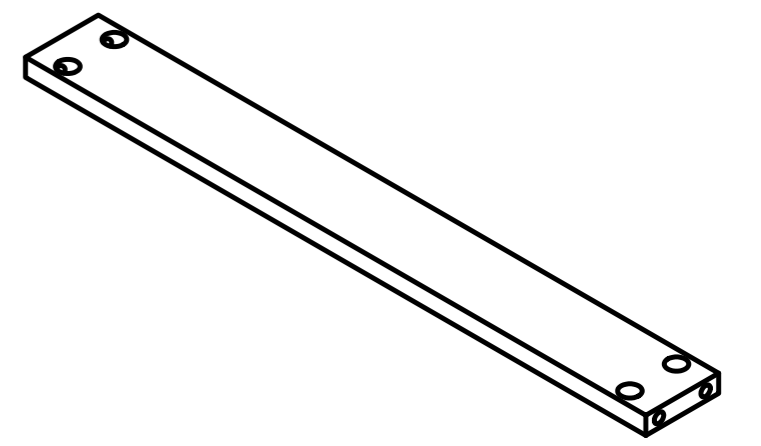
21x1



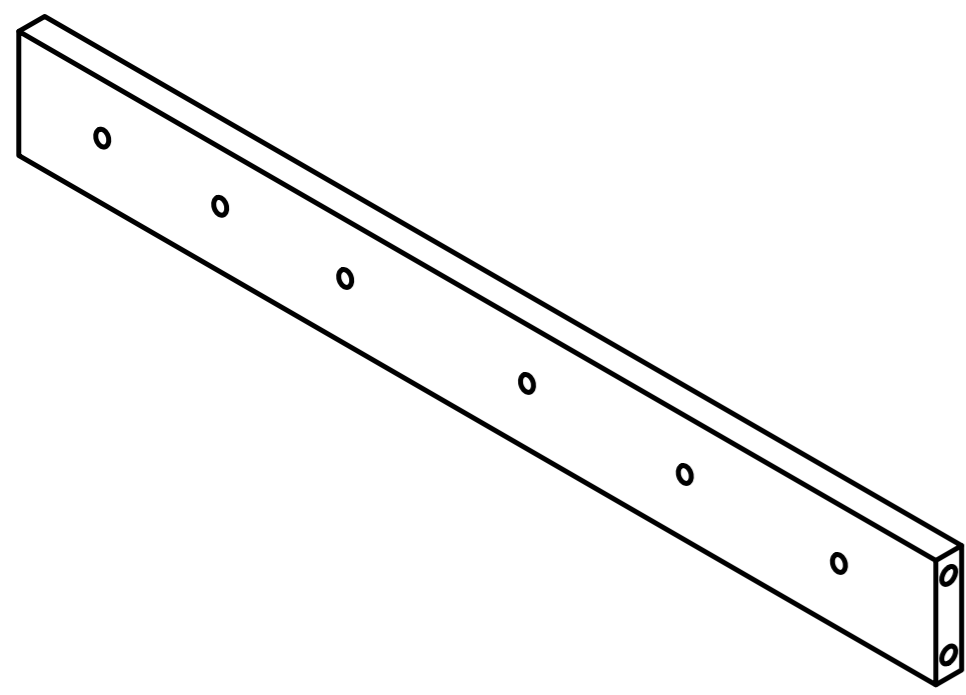
22x1



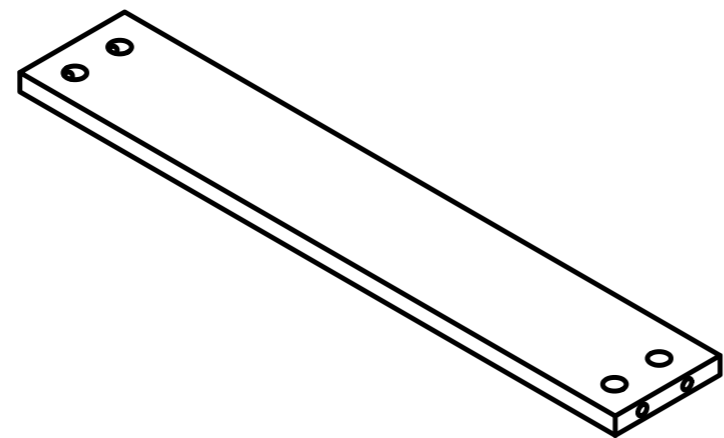
23x1



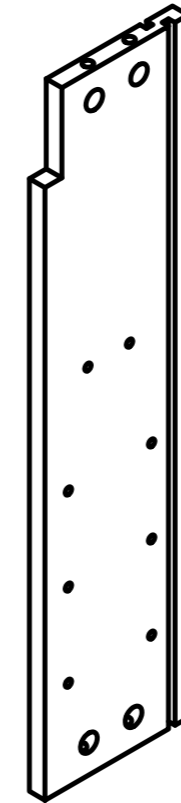
24x1



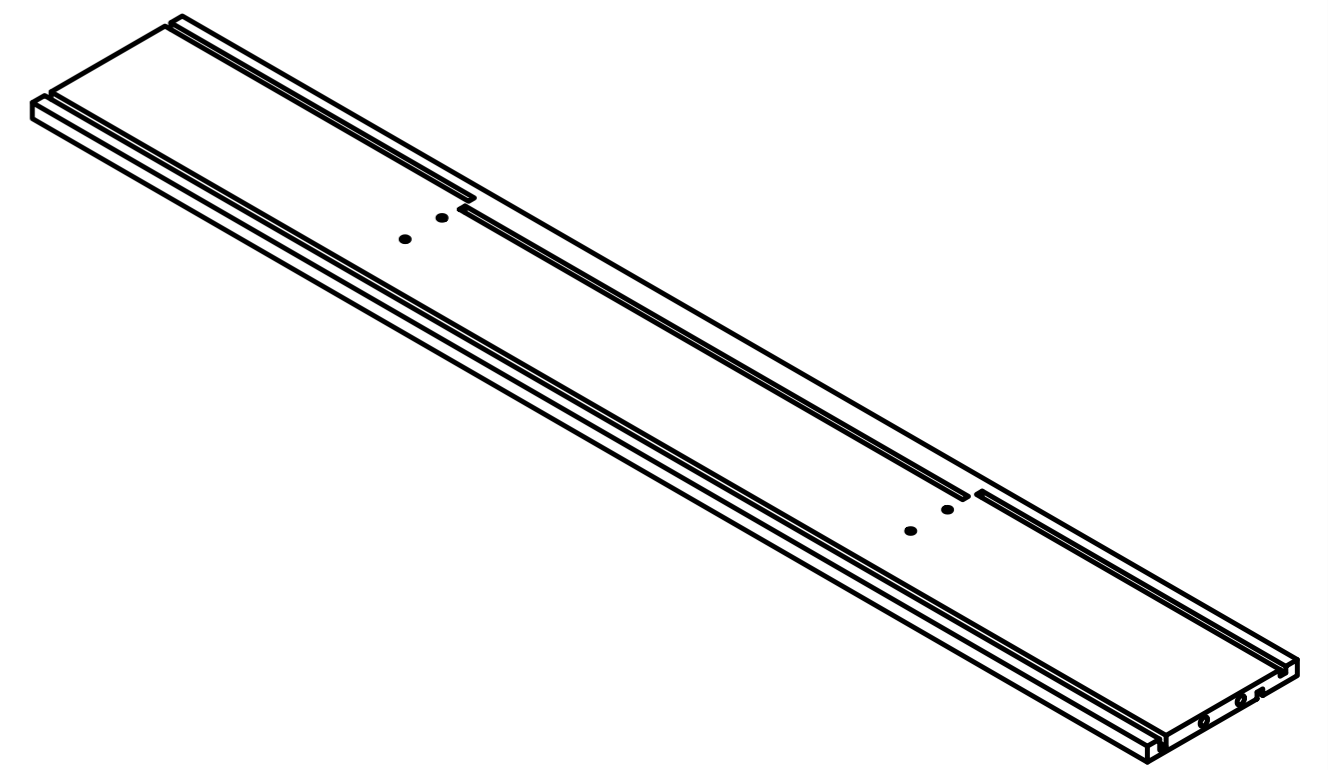
25x1



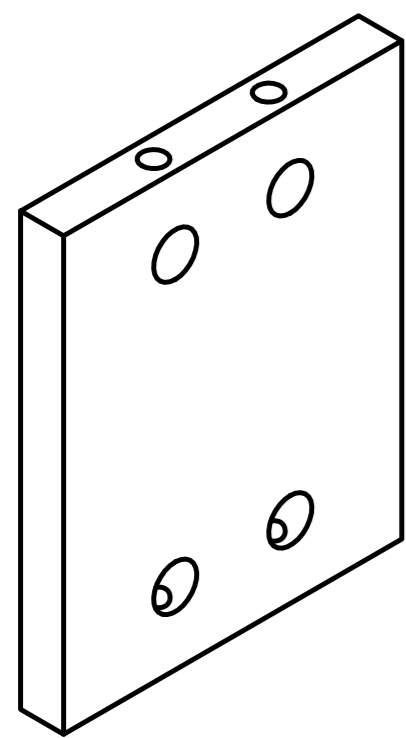
26x1



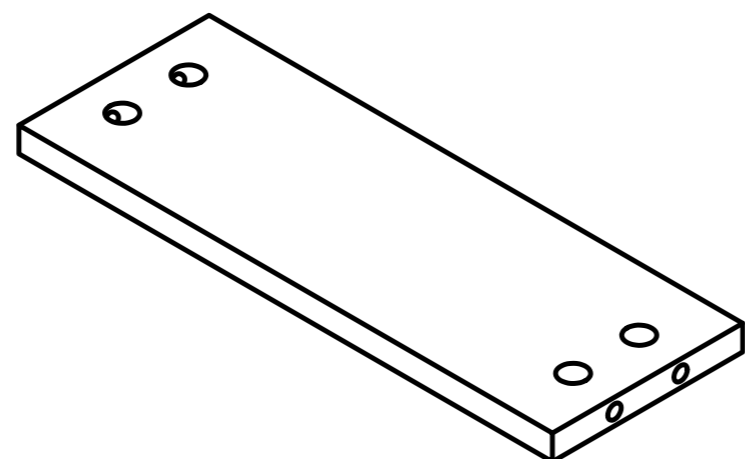
27x1



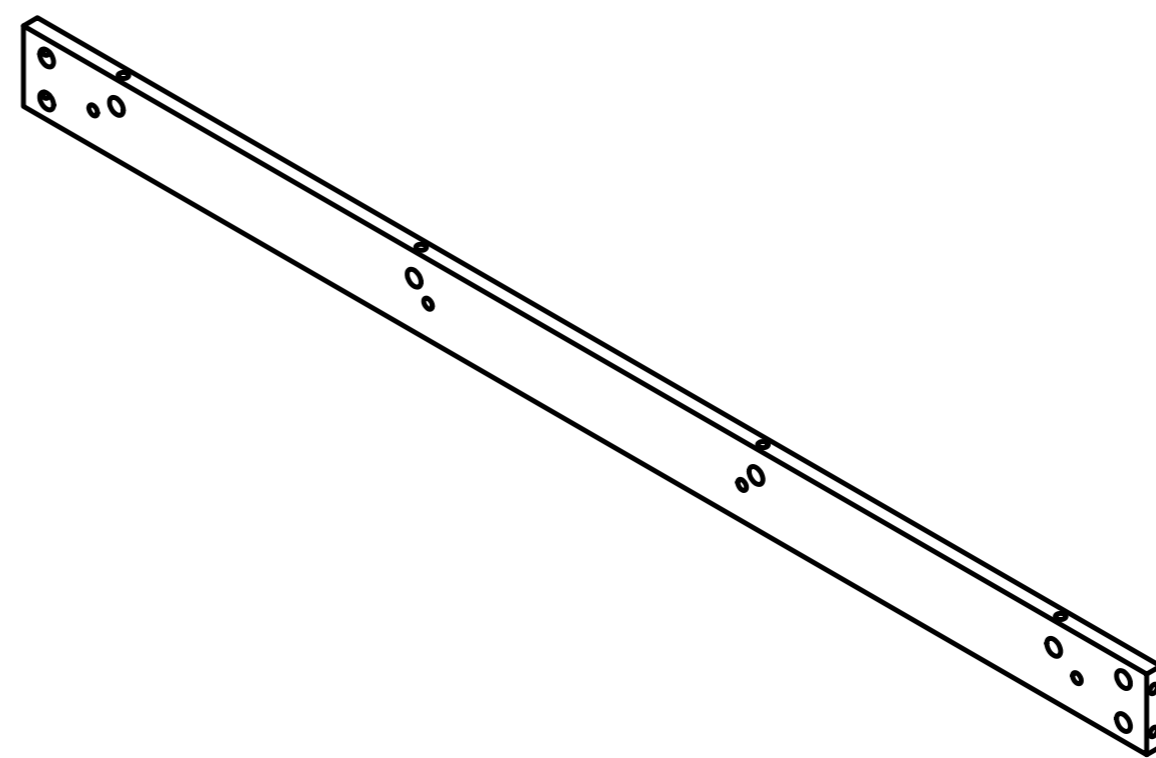
28x1



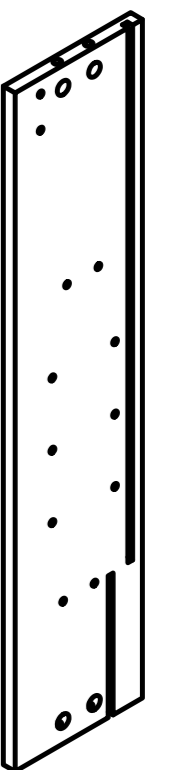
29x2



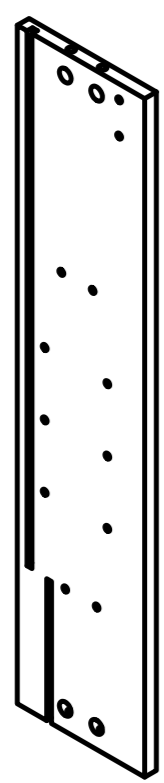
30x2



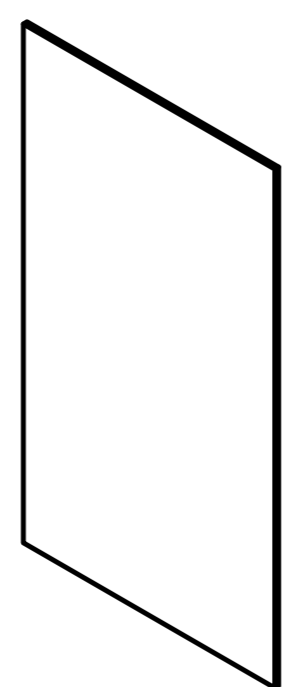
31x1



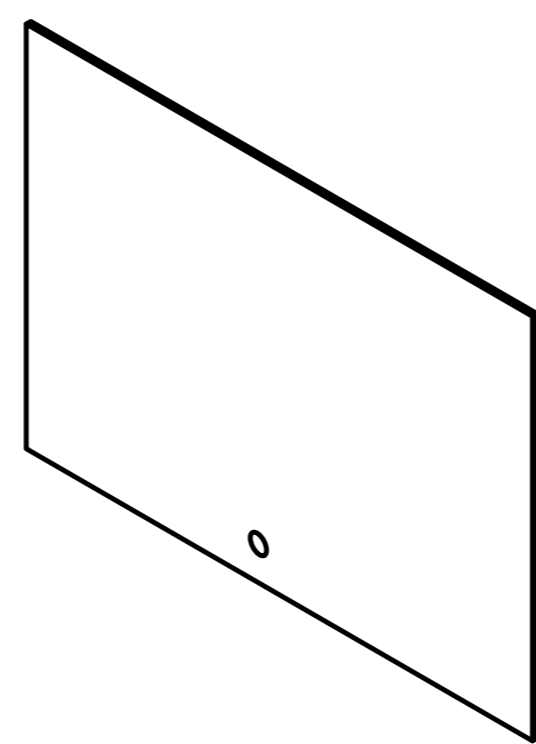
32x1



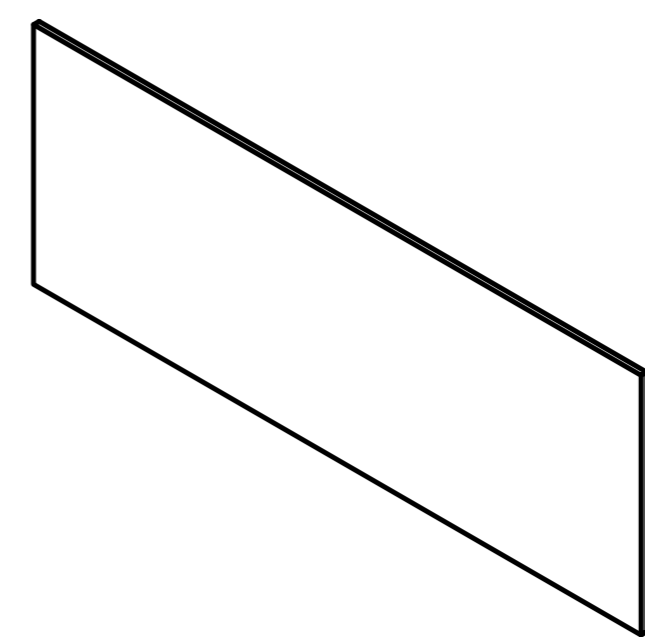
33x1



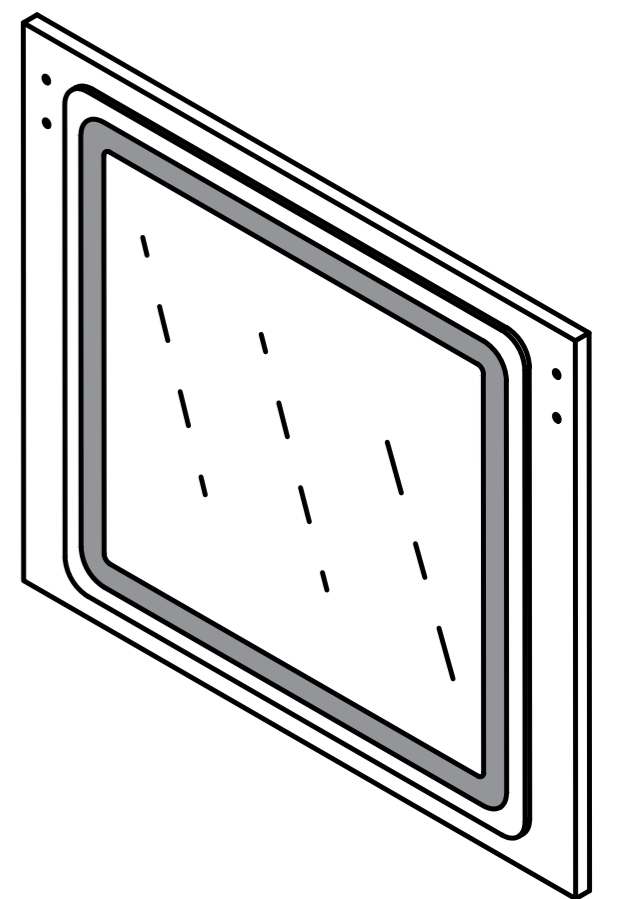
34x2



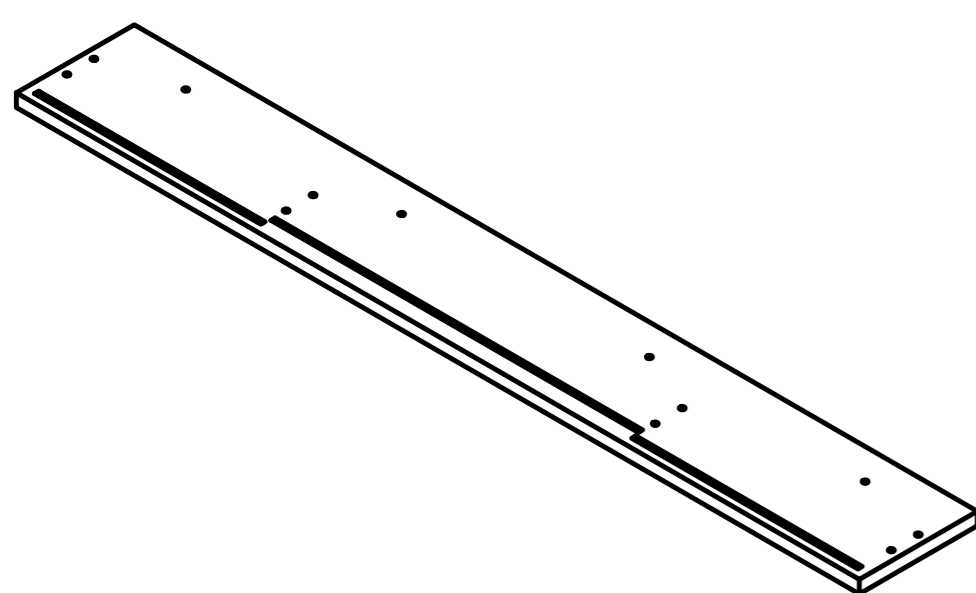
35x1



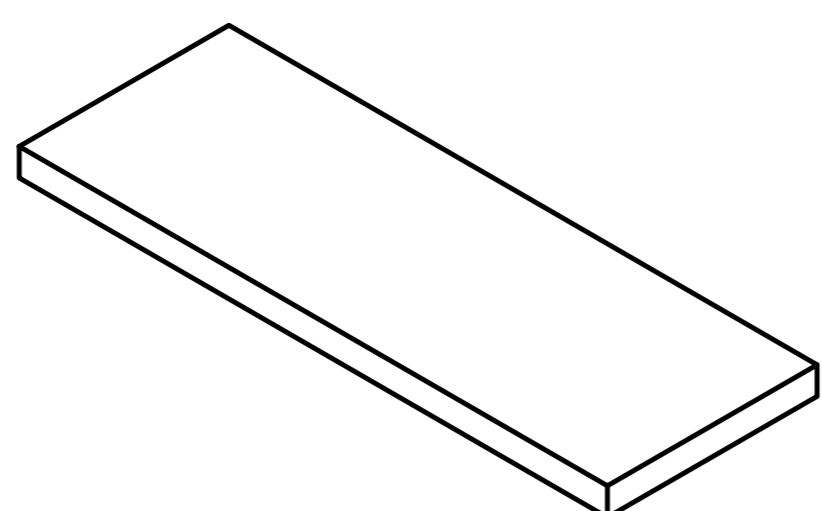
36x1



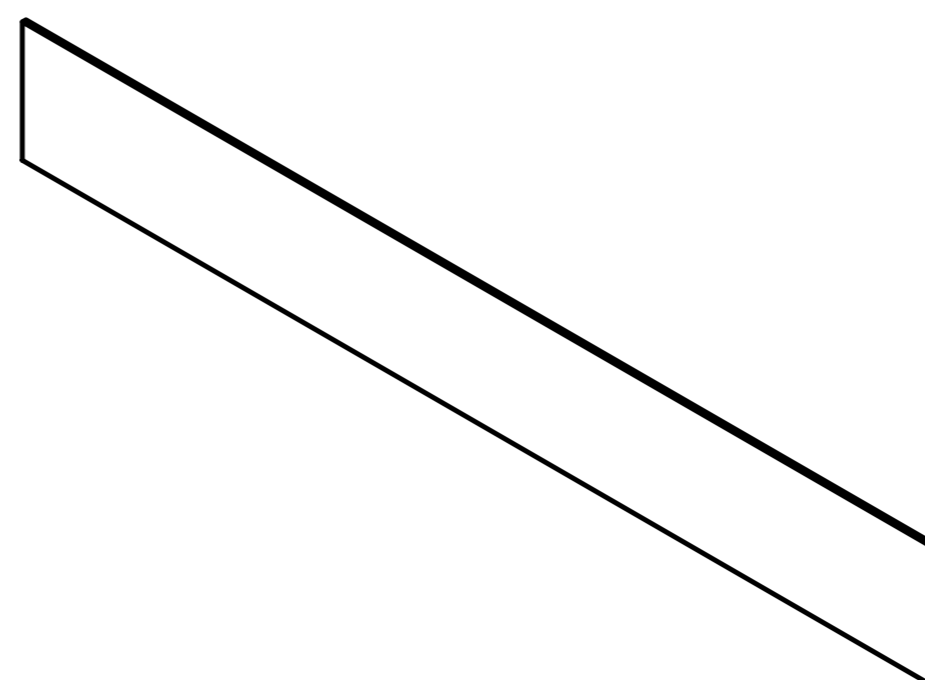
37x1



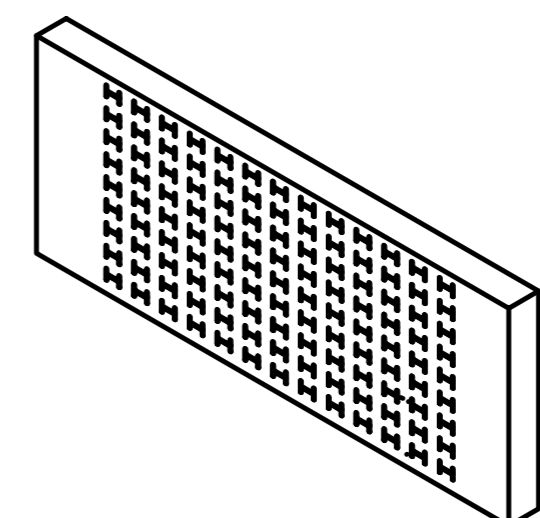
38x1



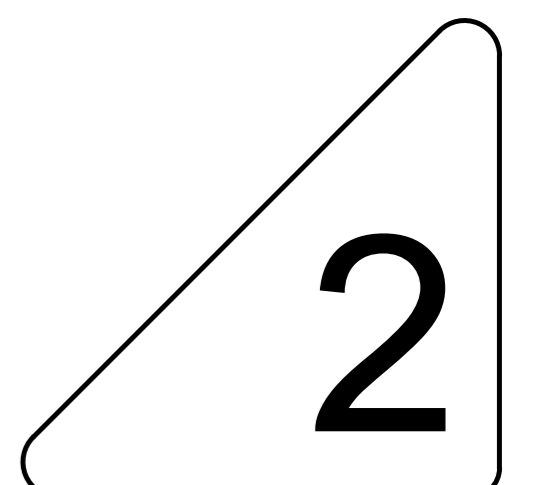
39x2



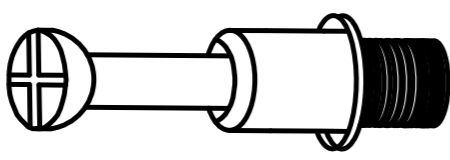


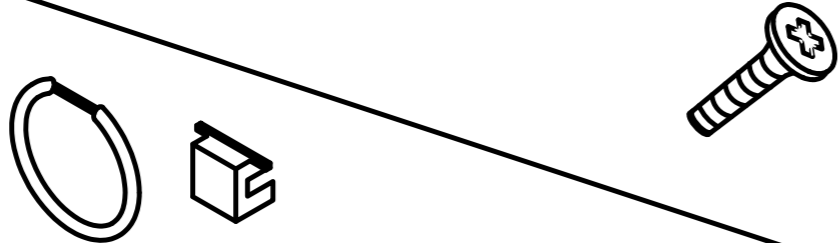
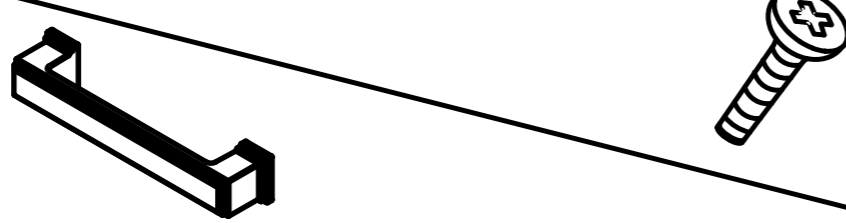

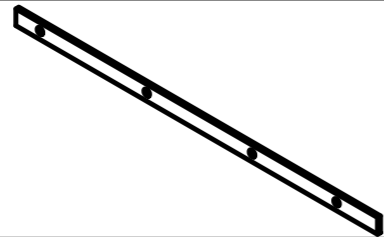
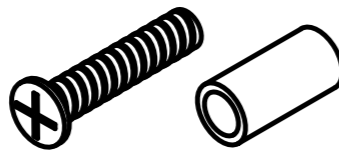
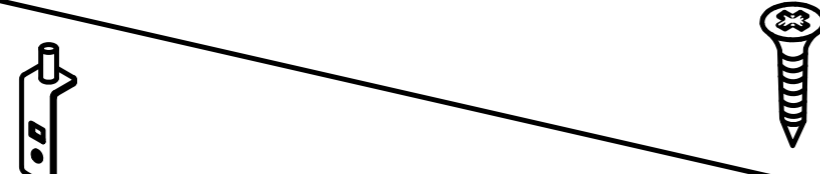
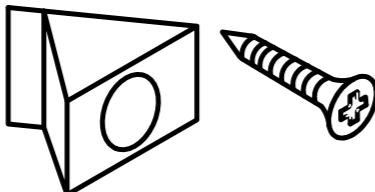
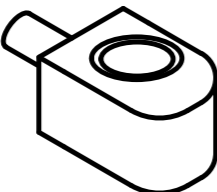


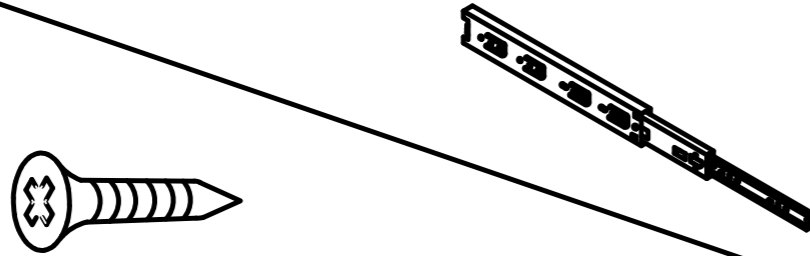
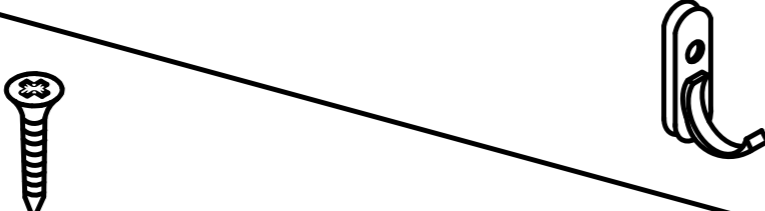
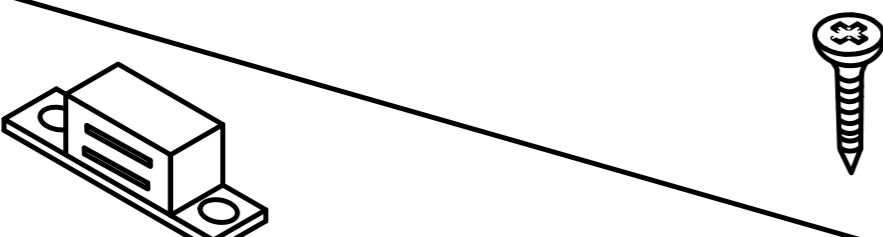
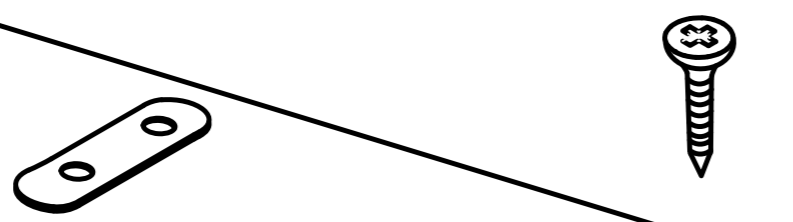
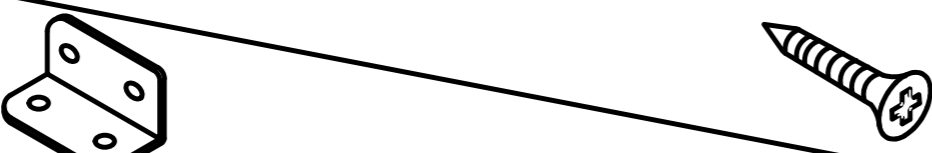
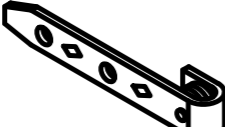
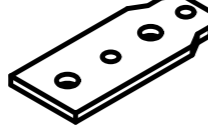


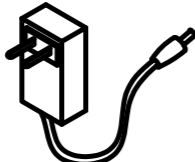



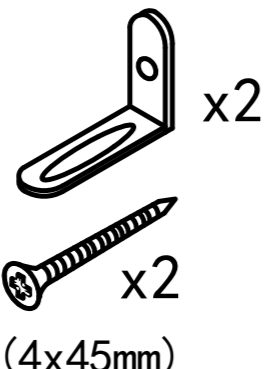
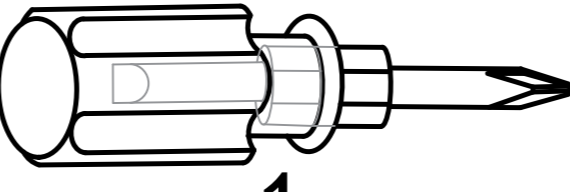
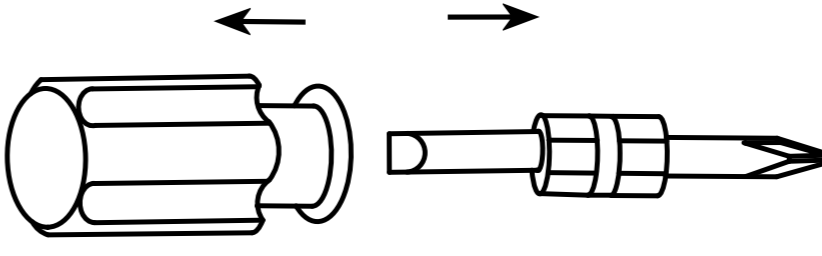
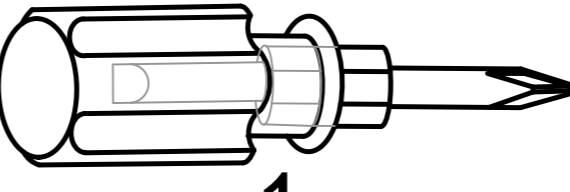
40x1



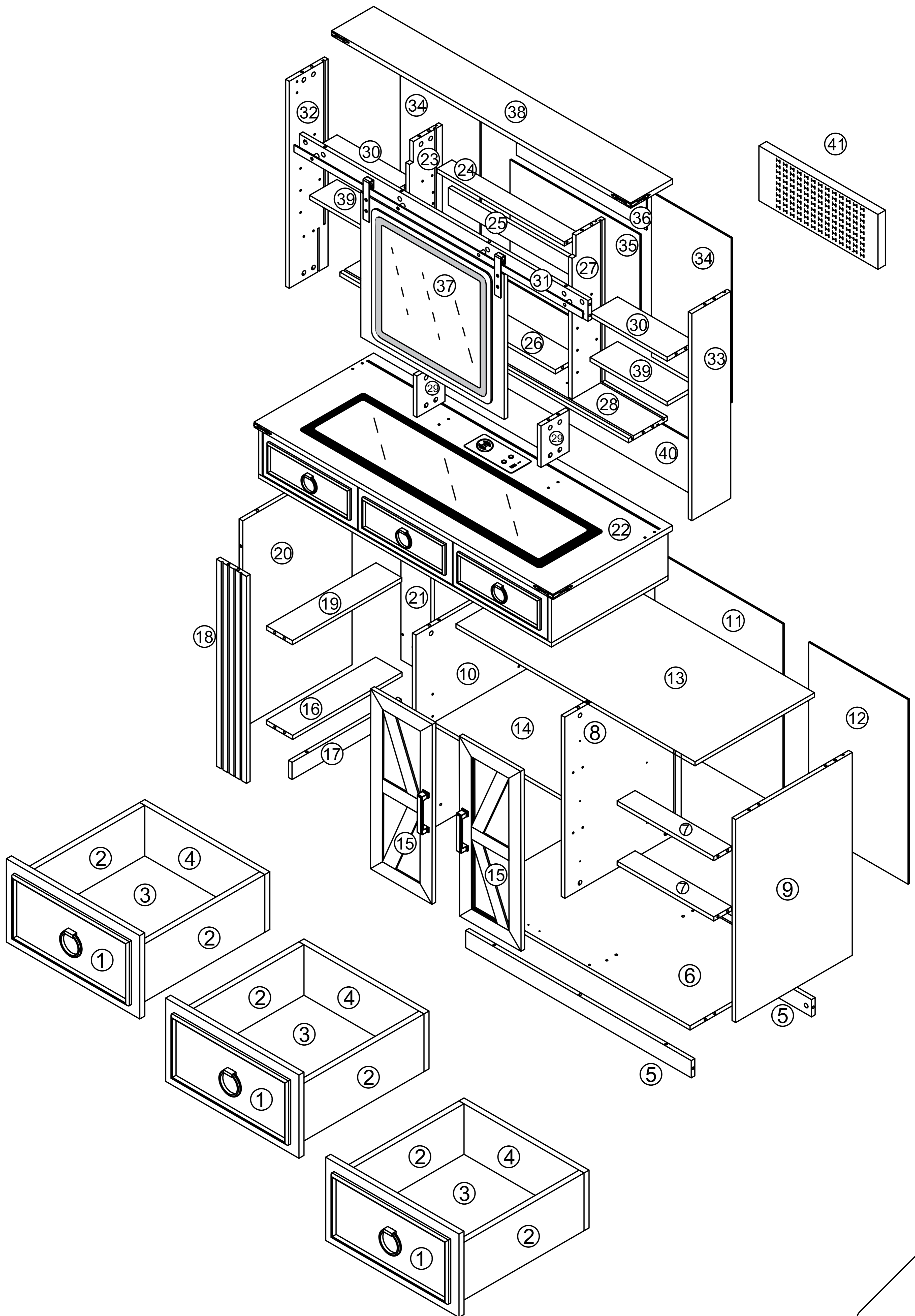
41x1



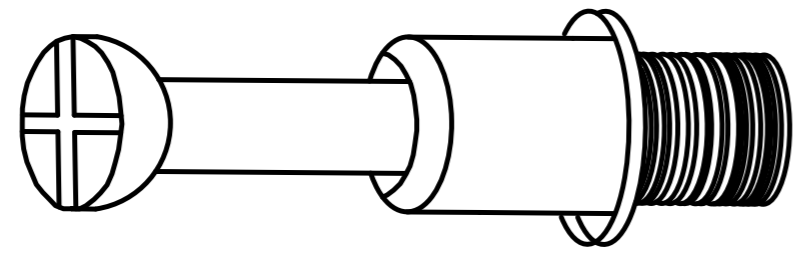
2

A		Two In One Screw (6x28mm)	132pcs +8pcs
B		Two In One Nut (10x12mm)	132pcs +8pcs
C		Wood Chipping (6x30mm)	12pcs +2pcs
D		Pull loop handle (4x16mm)	6pcs / 6pcs +1pcs
E		Handle & Screw (4x16mm)	2pcs / 4pcs +1pcs
F		Iron wire (370)	2pcs
G		Iron guide rail	1pcs
H		Screw & Plastic hoses (6x28mm)	4pcs
I		Cabinet door hinge & Screw (3x12mm)	4pcs / 8pcs +1pcs
J		Fixing clip & screw (3x16mm)	43pcs +2pcs
K		Laminate support nail	12pcs
L		Clamp	4pcs +2pcs
M		Non-slip pads	12pcs +2pcs
N		Screw & Guide(12 inch) (3x12mm)	30pcs / 6pcs +3pcs
O		Screw & Hook (3x14mm)	6pcs / 6pcs +1pcs
P		Magnetic attraction & Screw (3.5x12mm)	2pcs / 4pcs +1pcs
Q		Iron sheet & Screw (3x10mm)	4pcs / 8pcs +1pcs
R		Corner code(30x30x1.5) Screw (3.5x12)	2pcs / 8pcs +2pcs
S		Iron guide rail hook	2pcs
T		Plastic slide	2pcs
U		Screw (6x12mm)	4pcs +1pcs
V		Screw (3.5x12mm)	4pcs +1pcs
		AC/DC Adapter (12V=3.0A)	1pcs
W	 x2  x2  x4  x2  1pcs  1pcs	 1pcs Double-head screwdriver, use as required	3

# Product structure decomposition

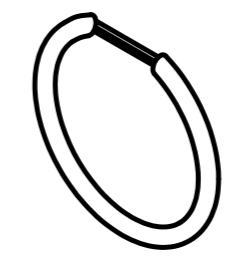


A



24pcs

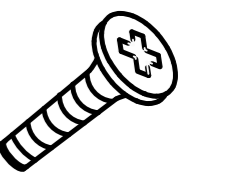
D



3pcs

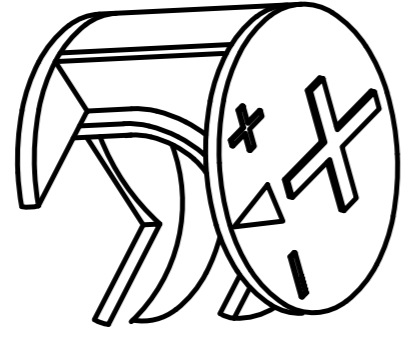


3pcs



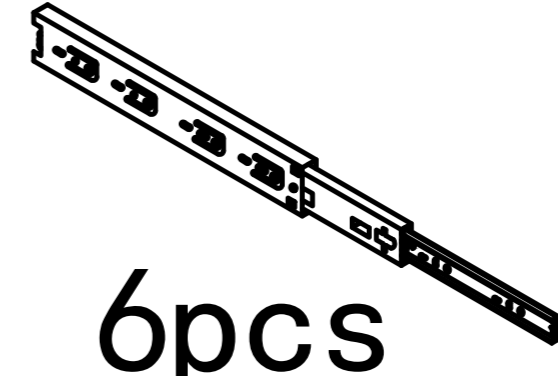
3pcs

B

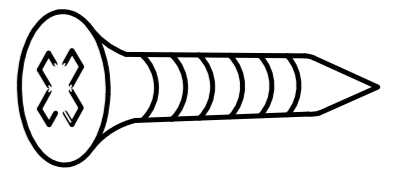


24pcs

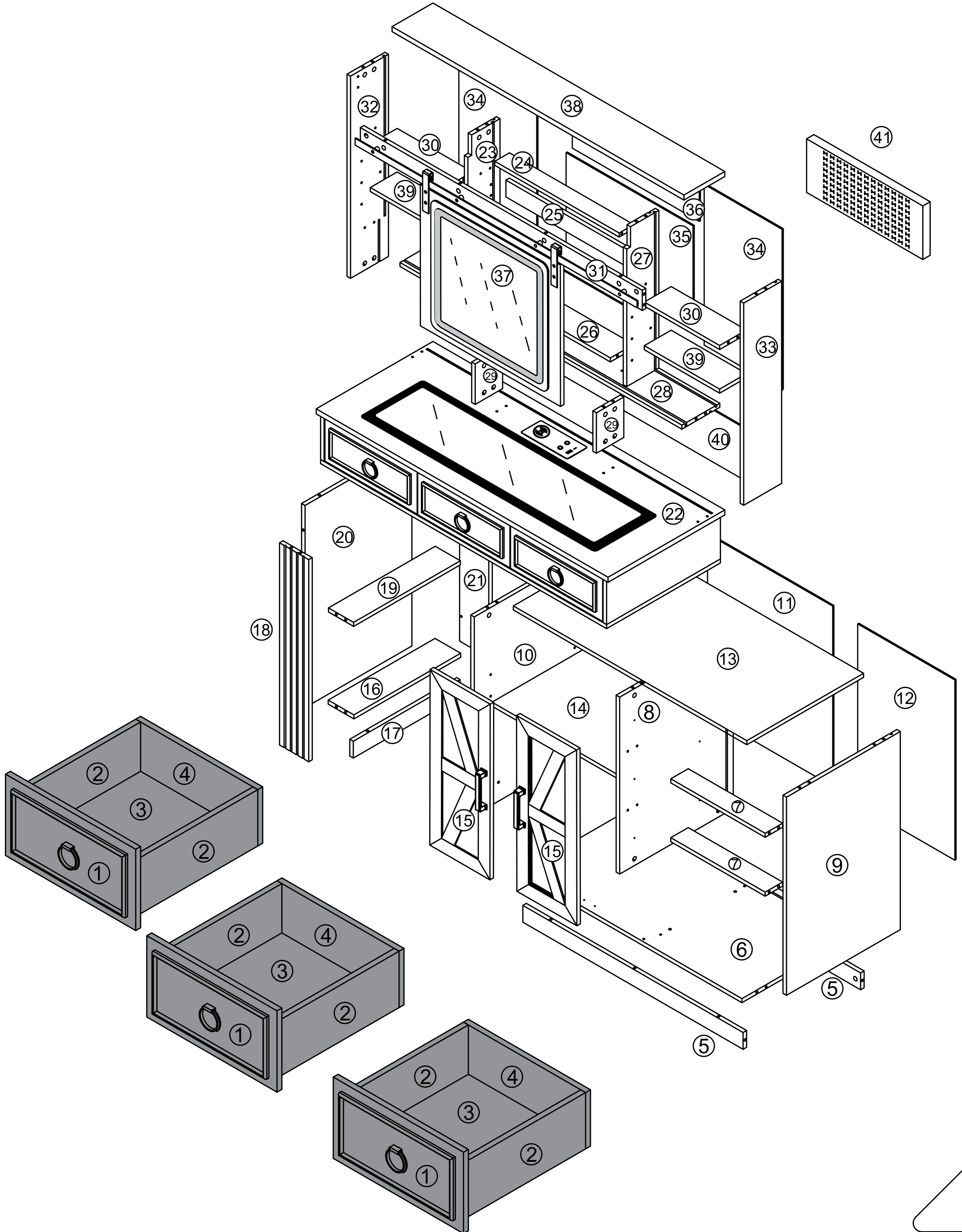
N



6pcs



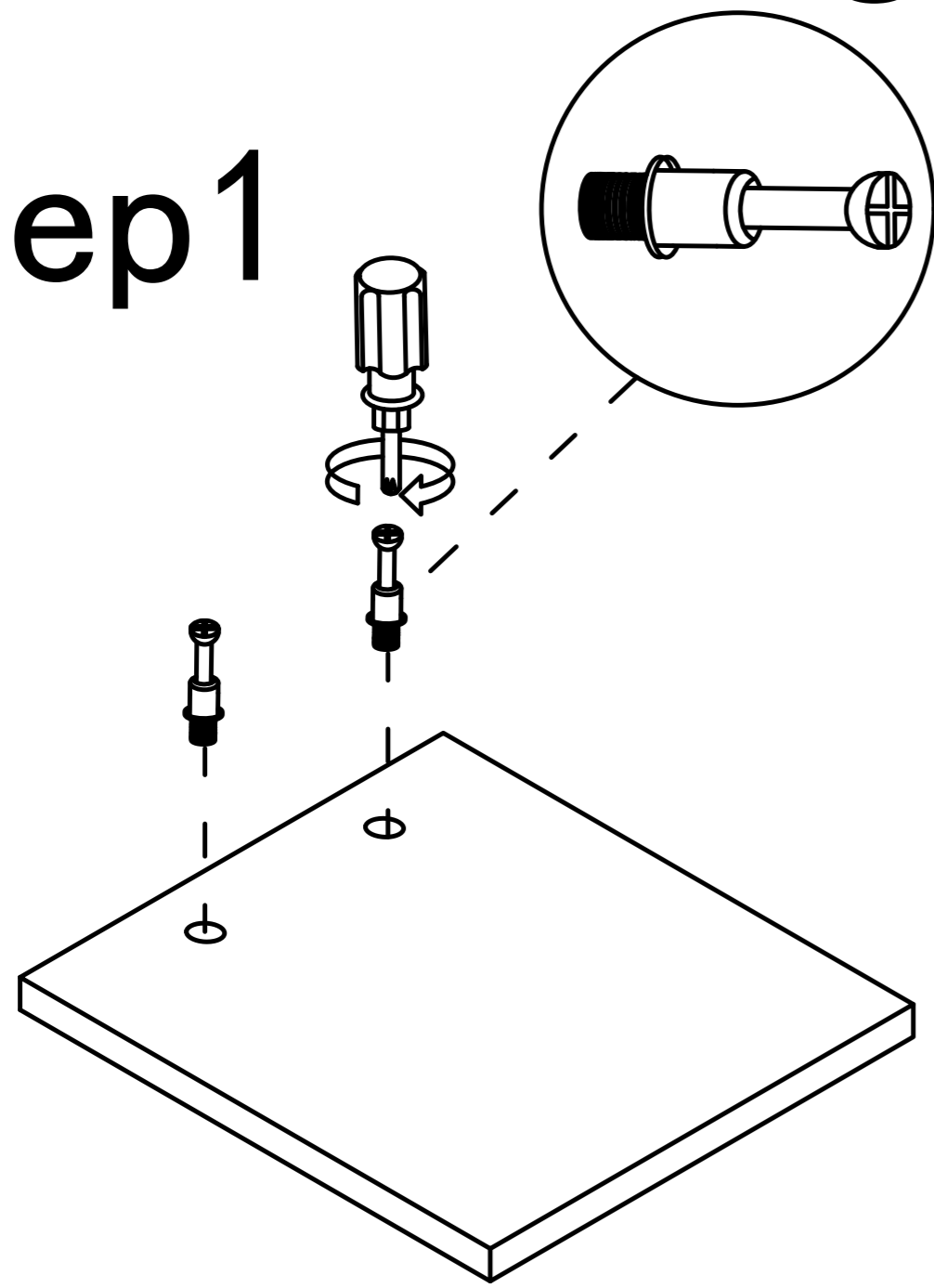
12pcs



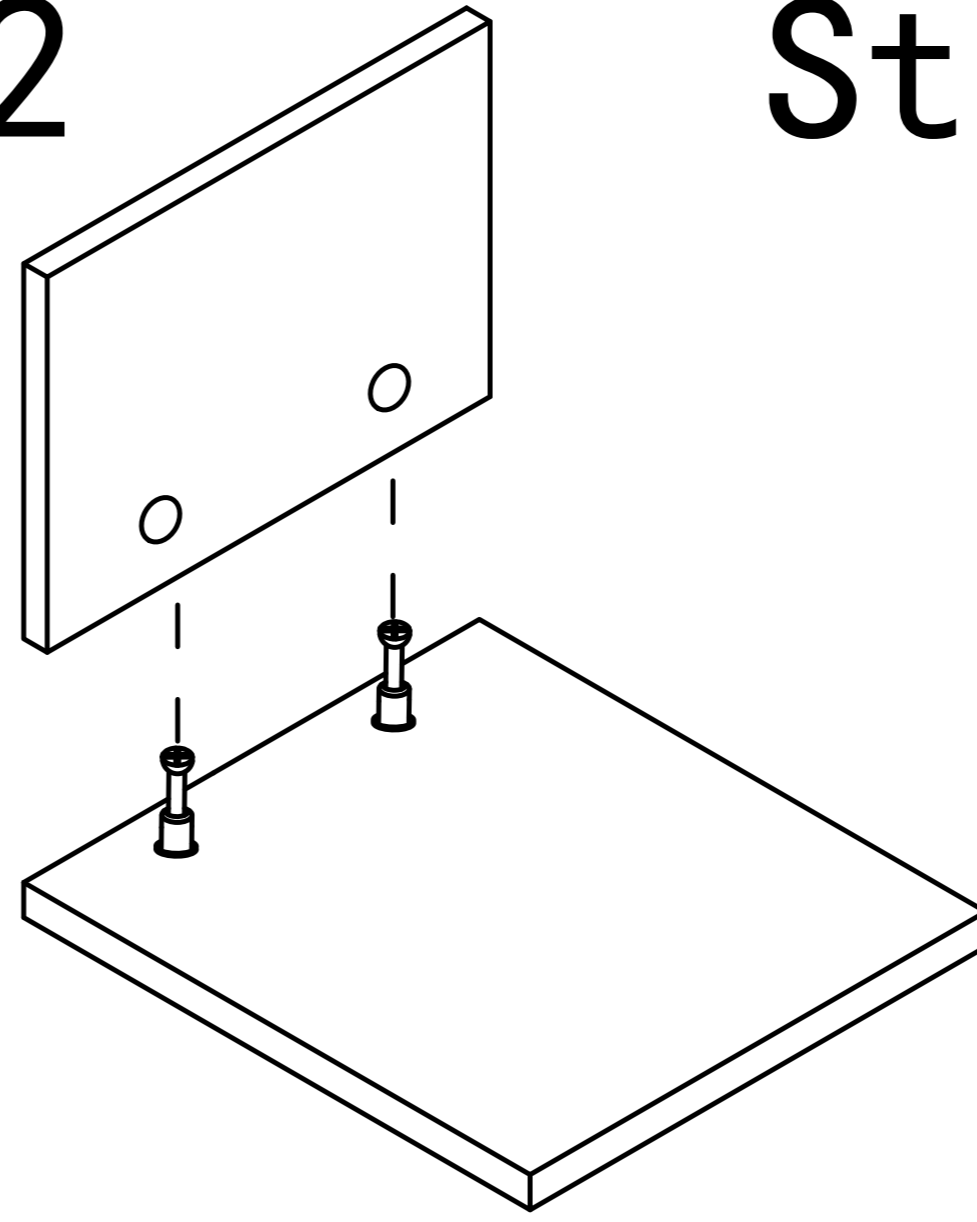
5

# Use parts A and B

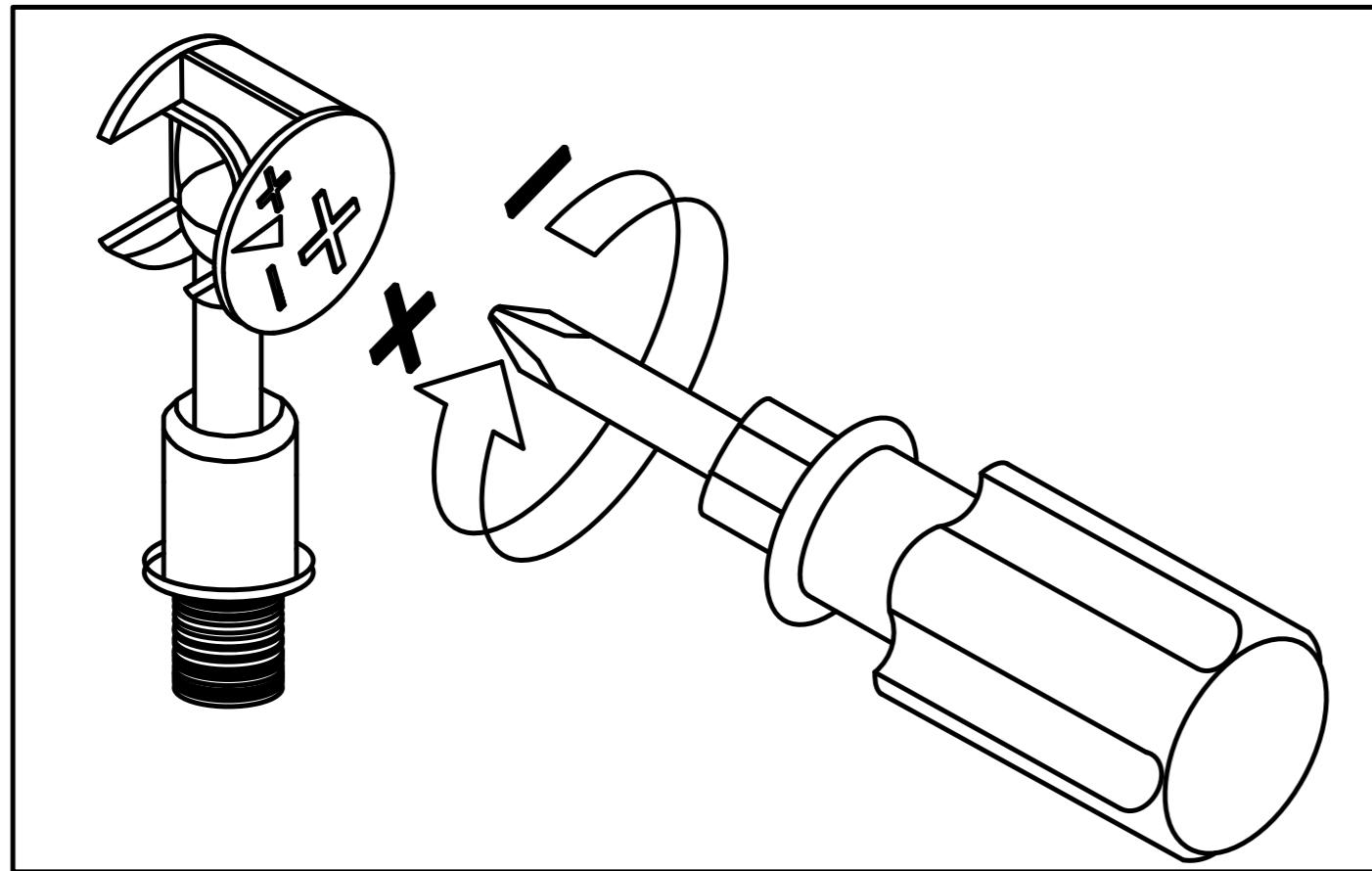
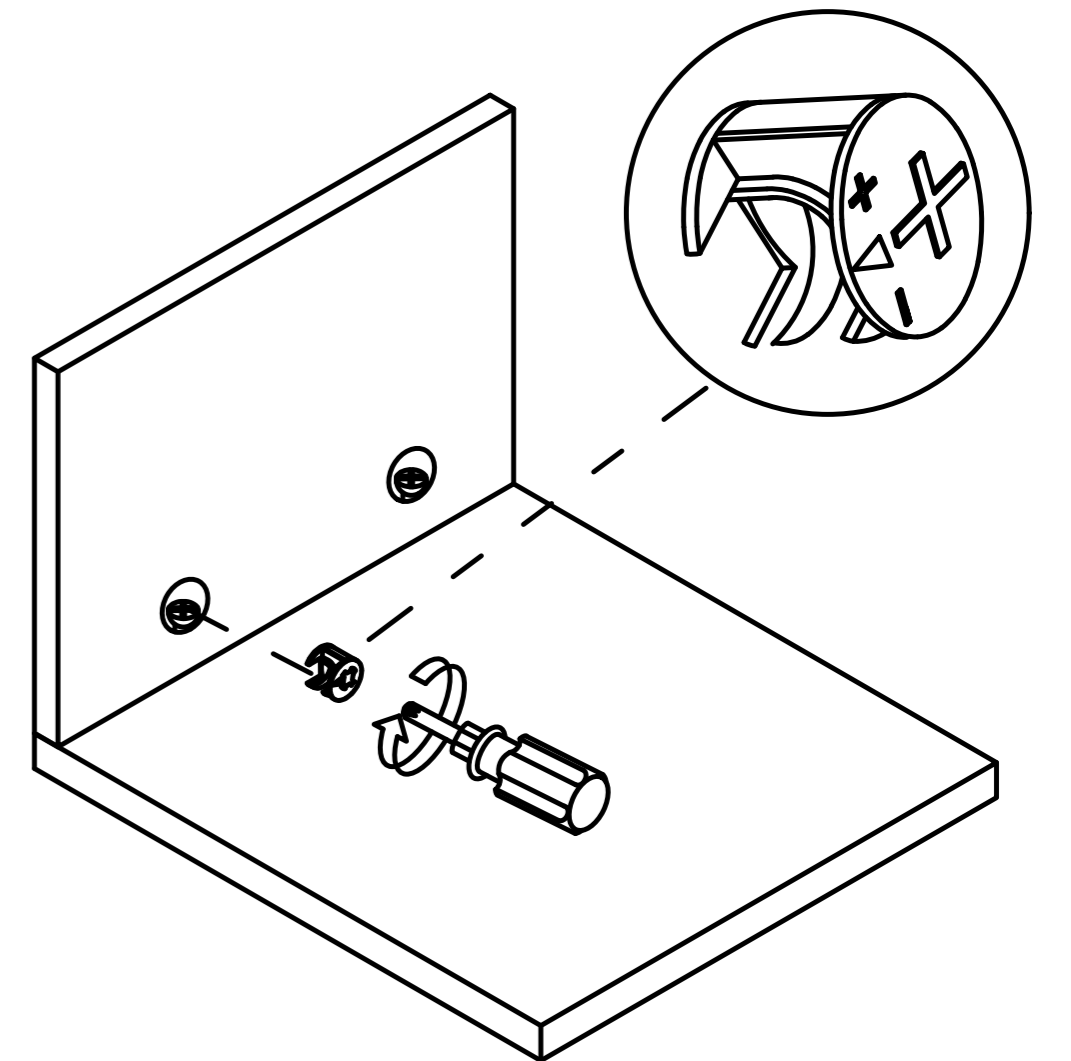
Step 1



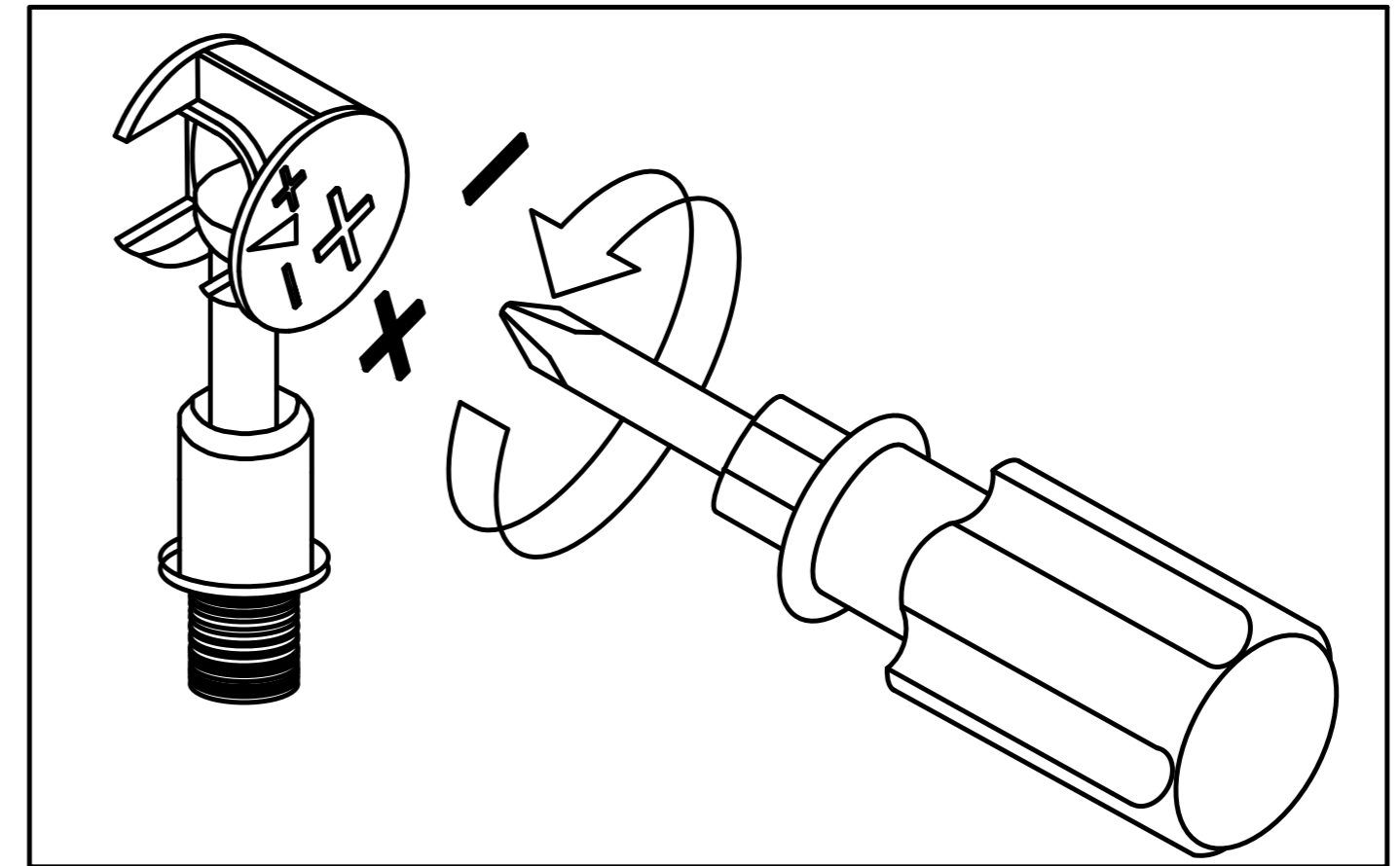
Step 2



Step 3

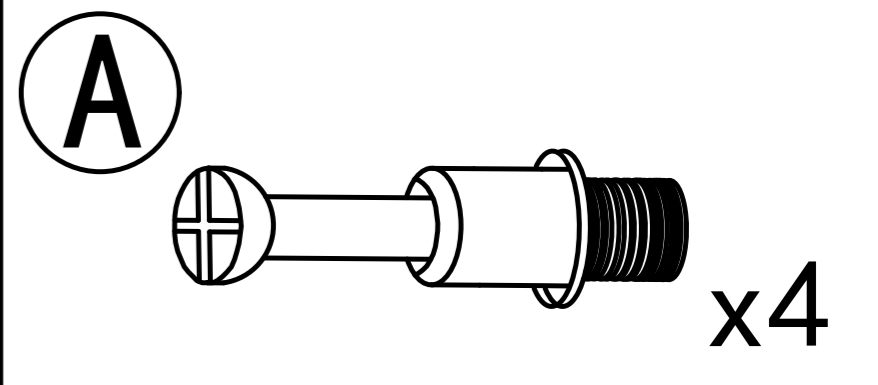
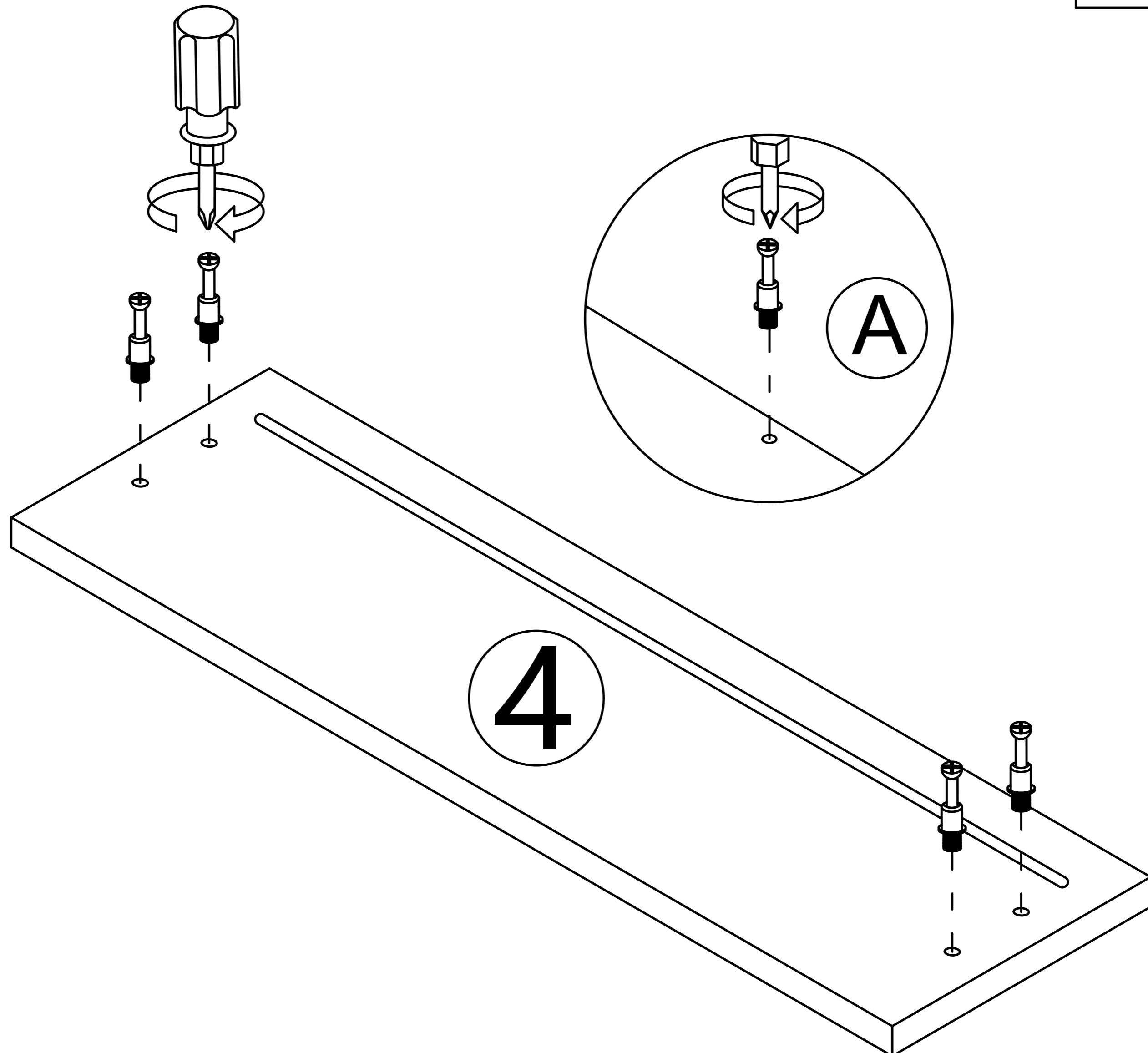


Use a screwdriver to lock in the direction of the "+" sign



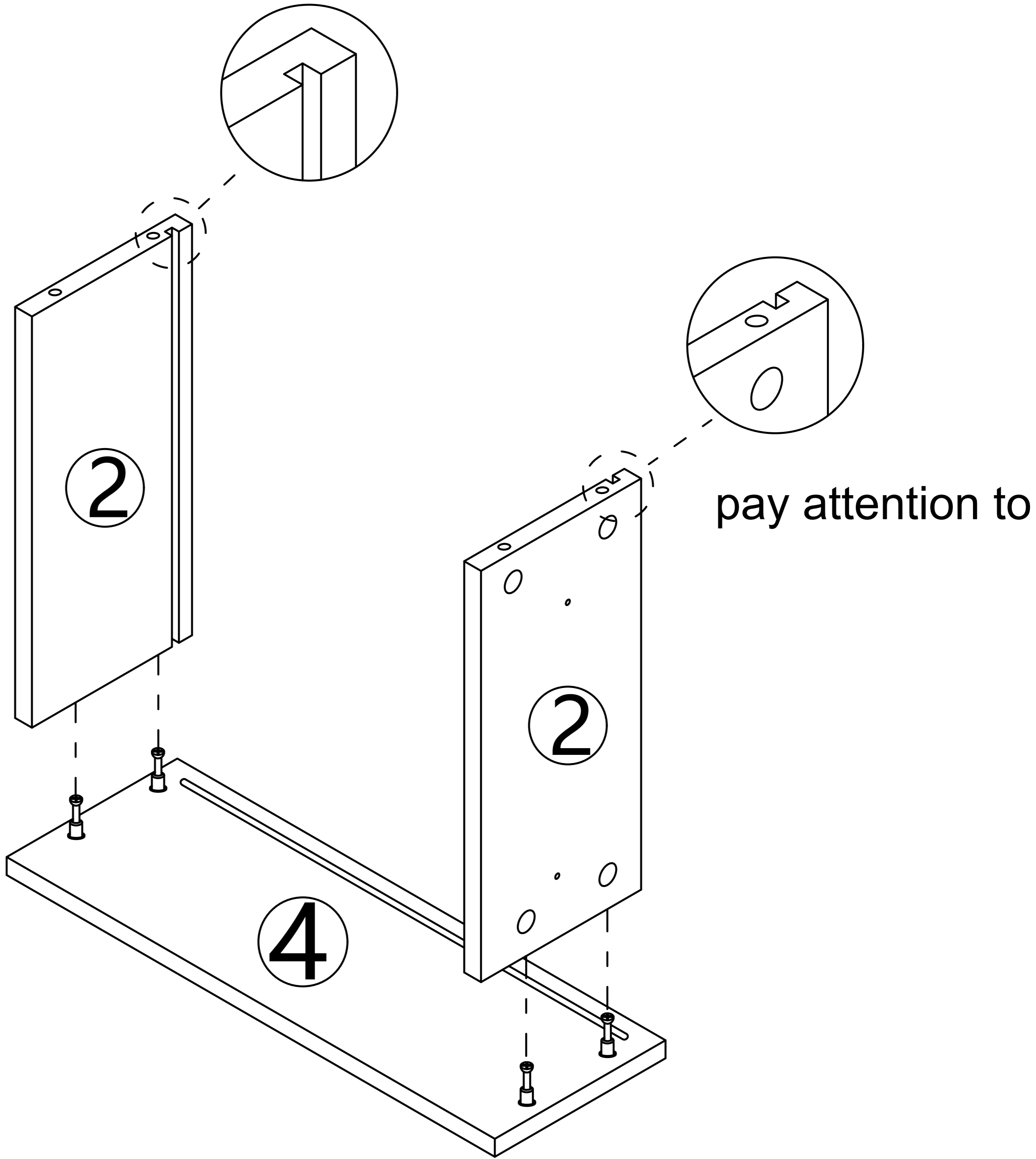
Disassemble along the direction of "-" sign

Step 1

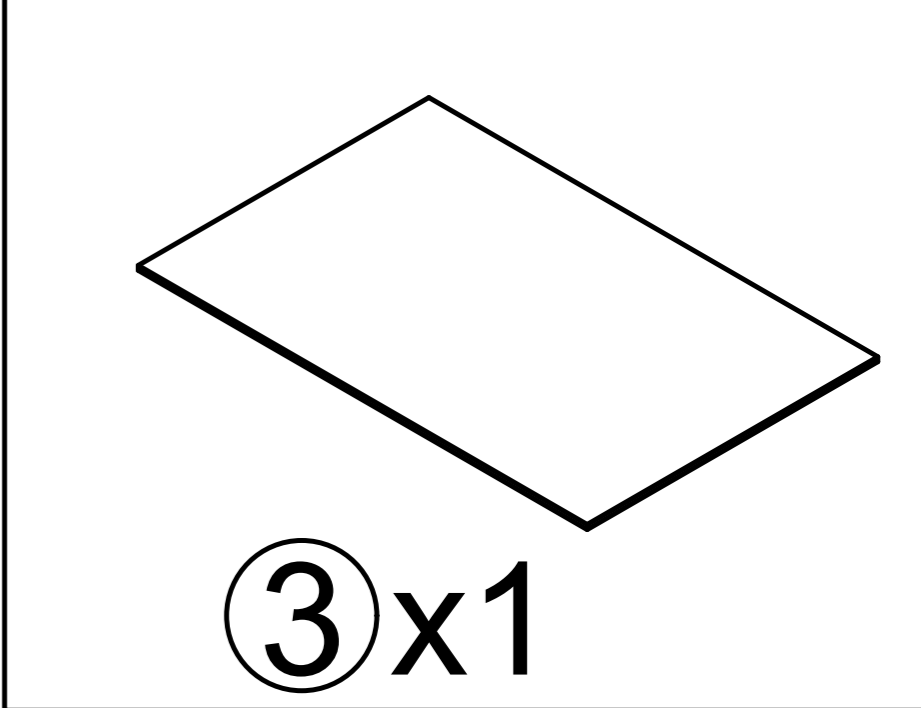
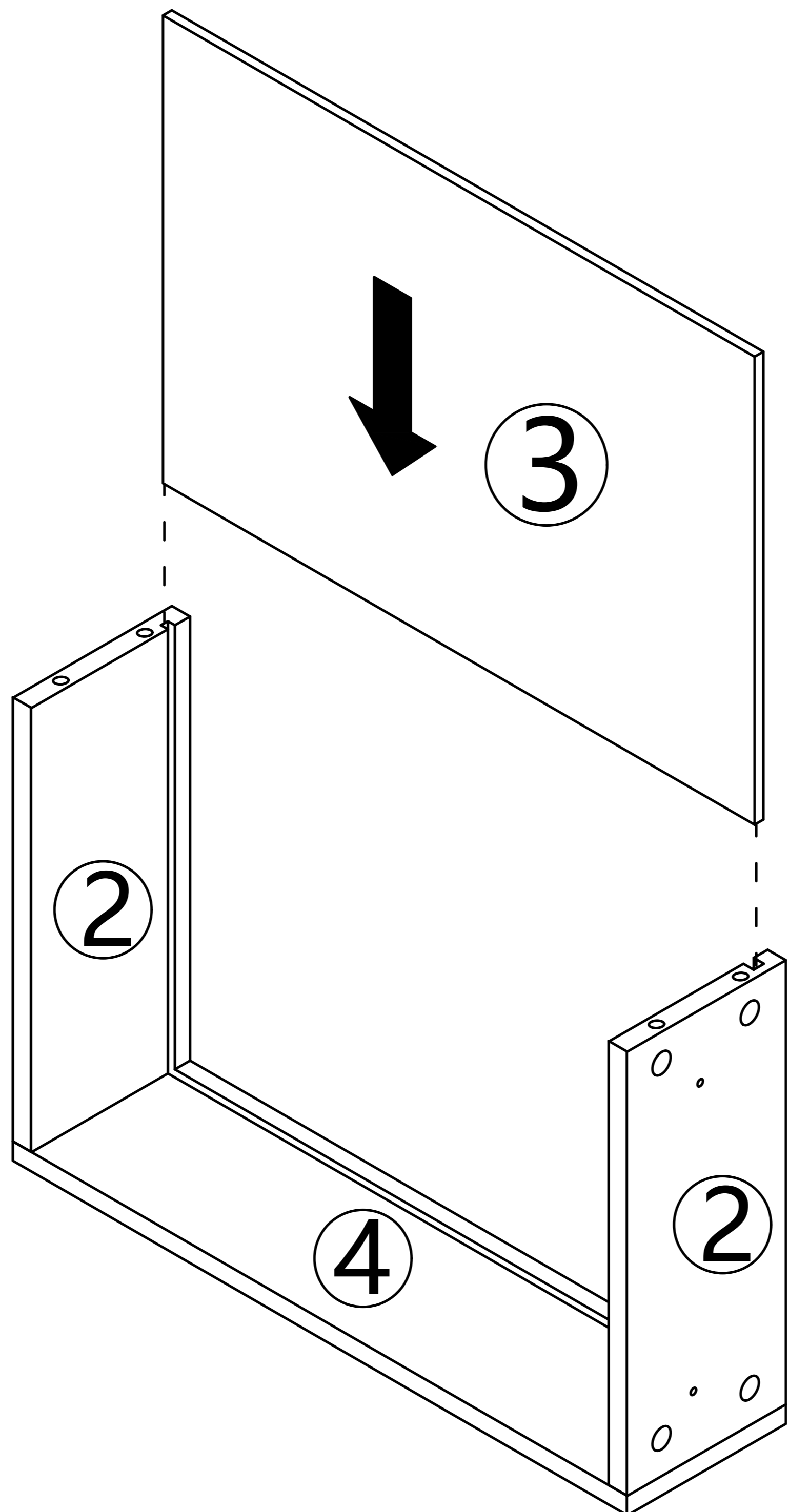


6

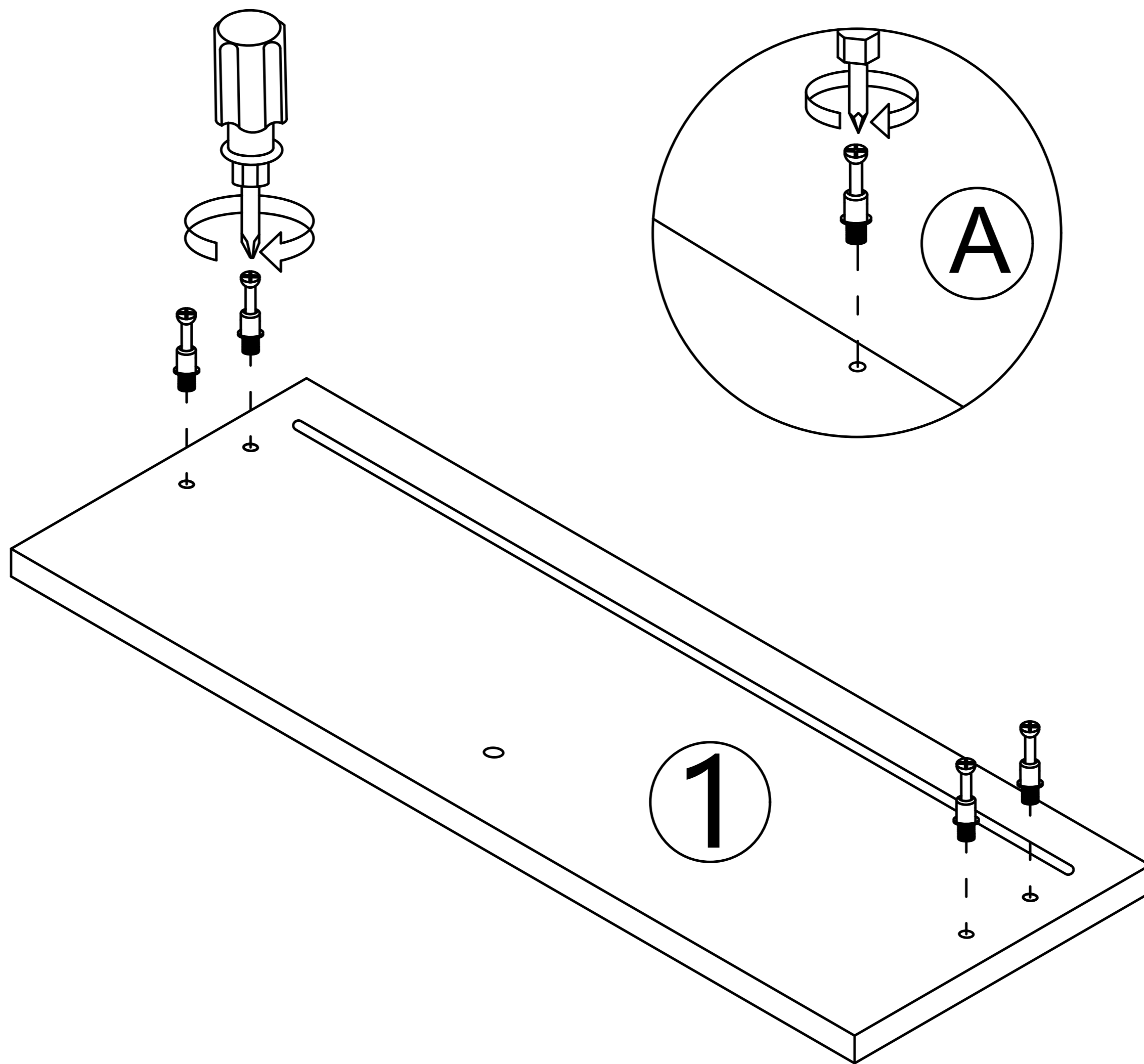
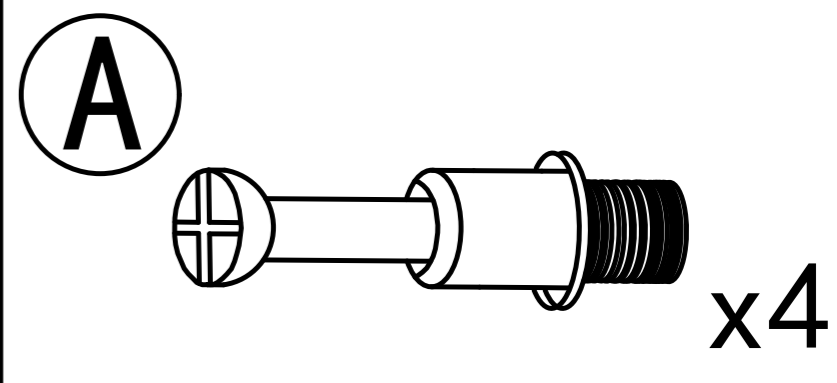
Step 2



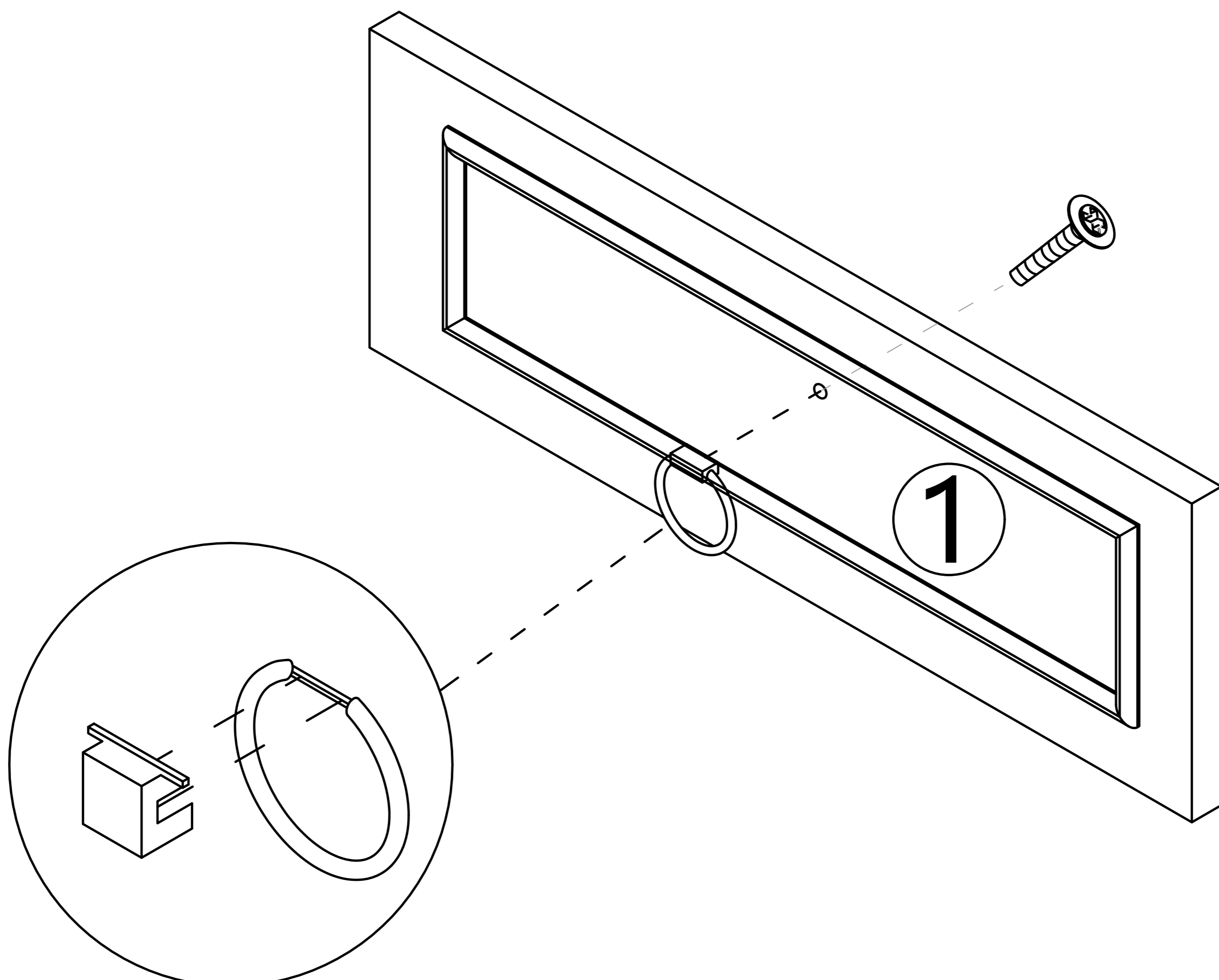
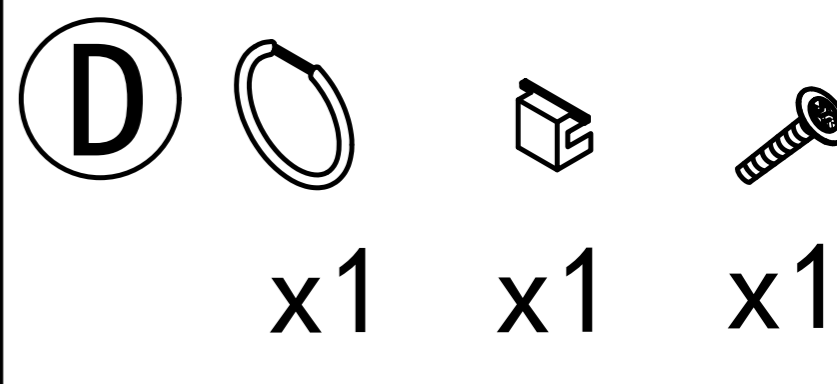
Step 3



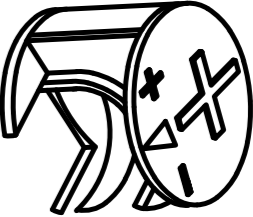
Step 4

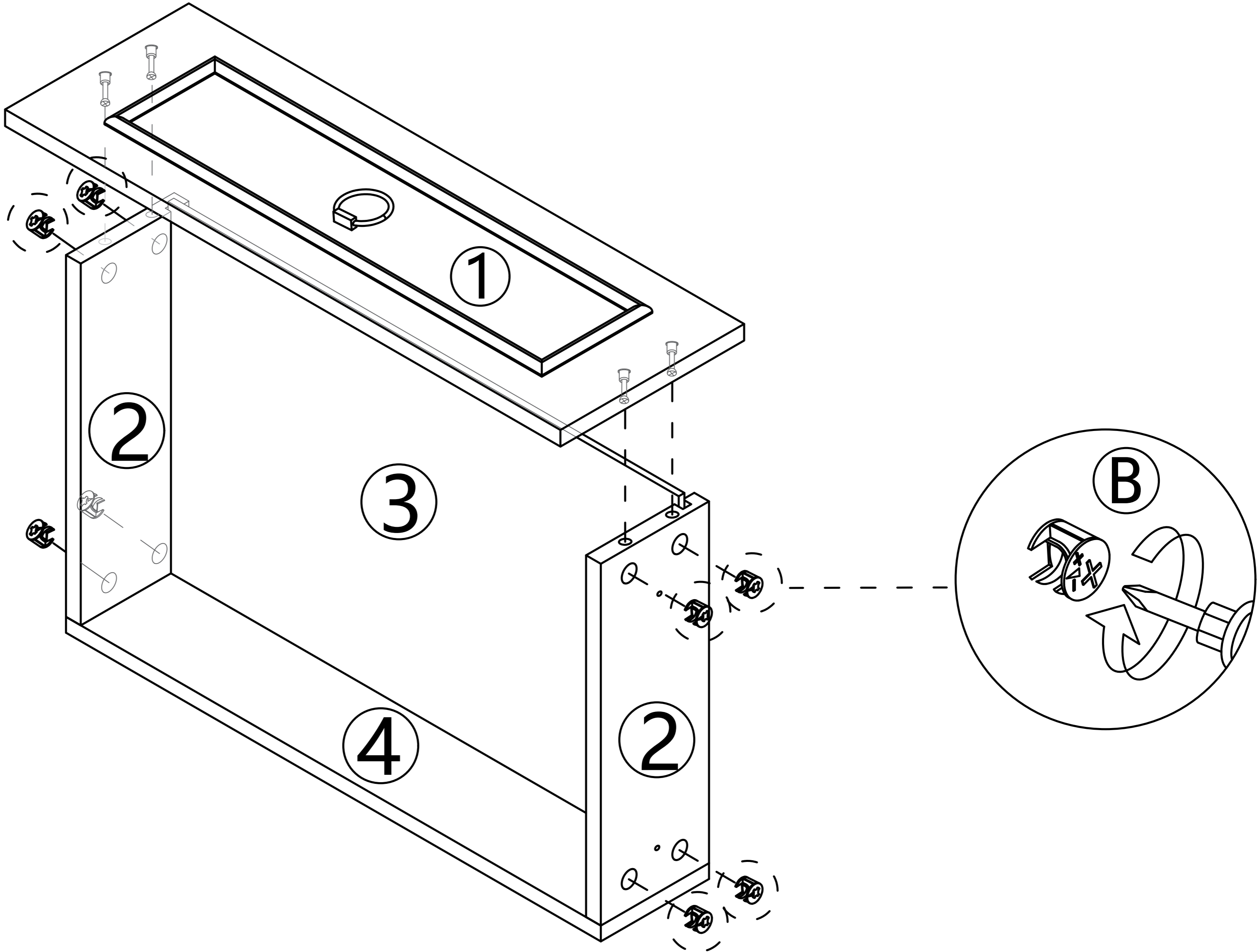


Step 5

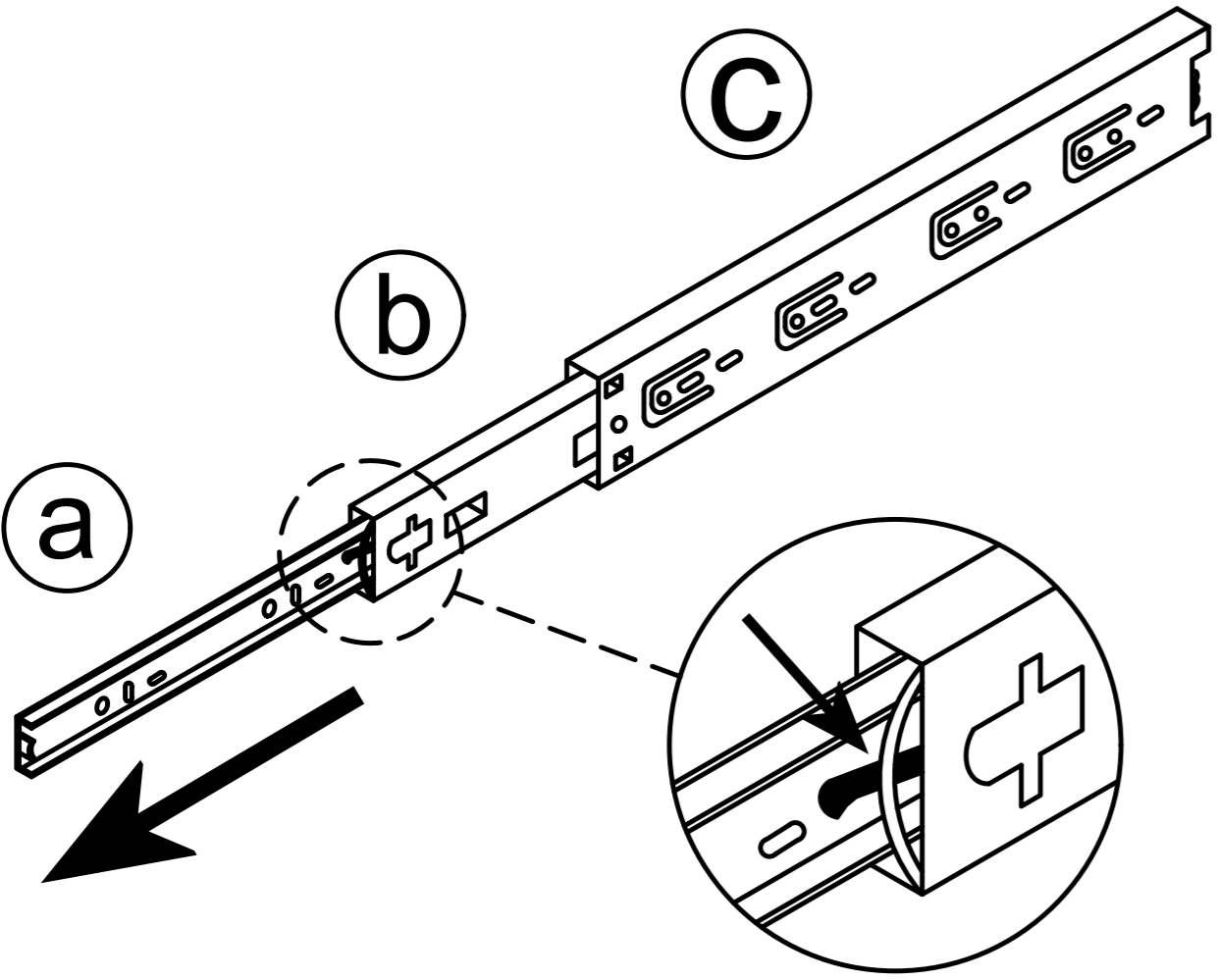


Step 6

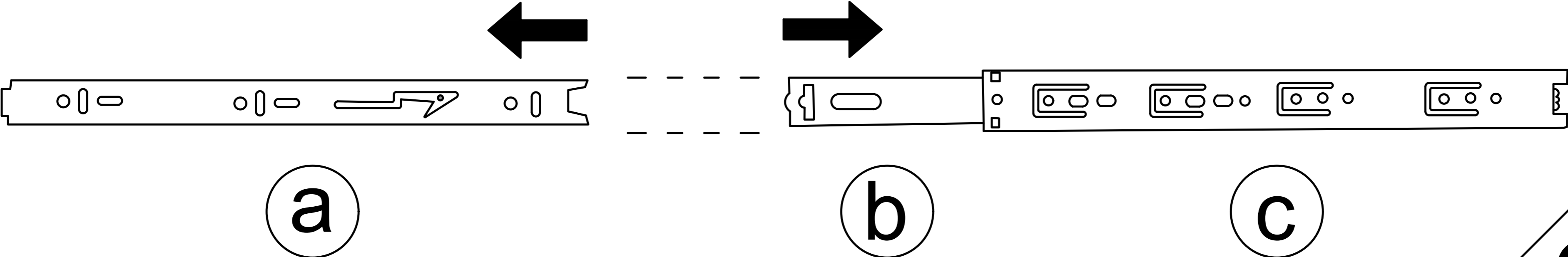
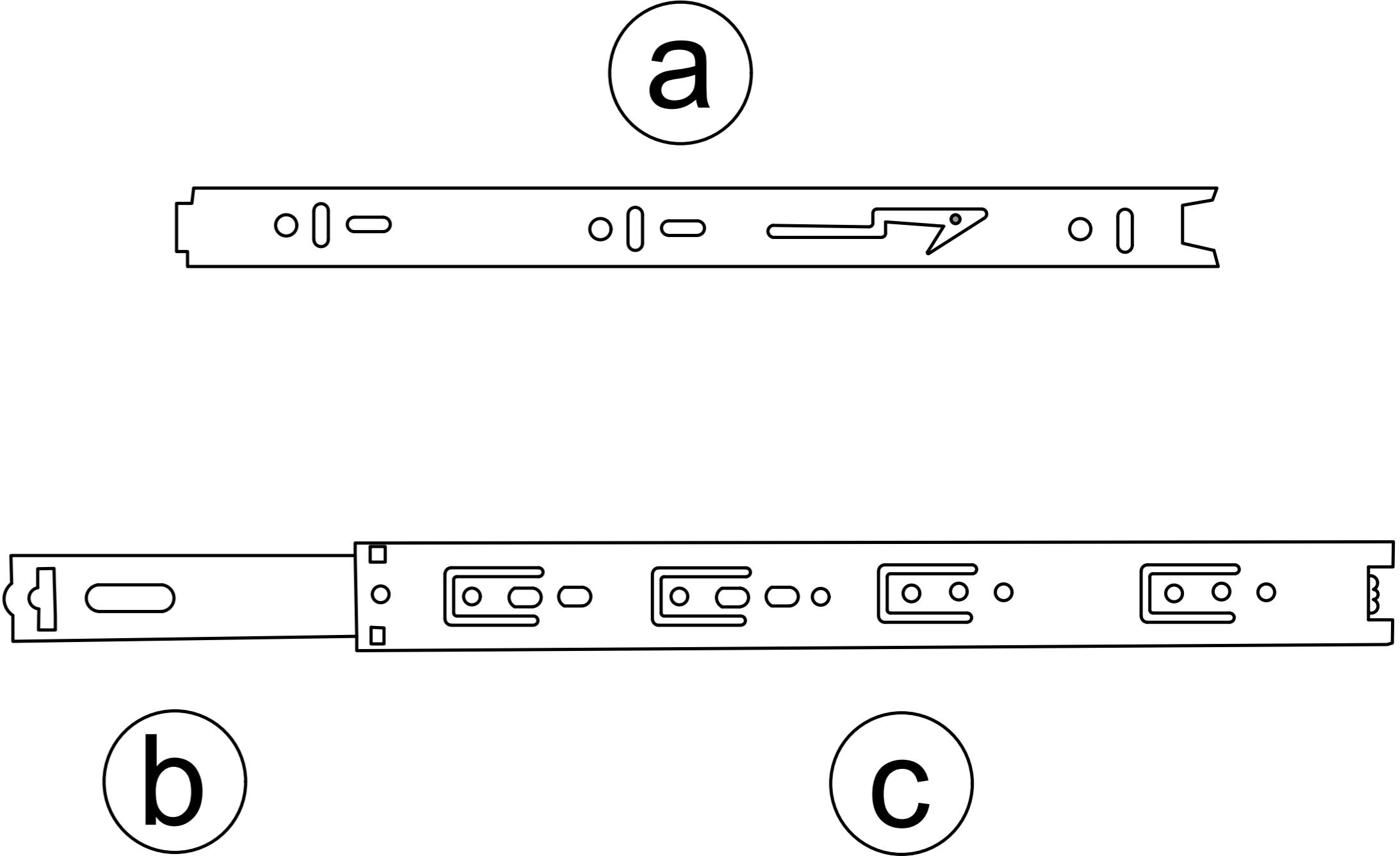
**B**  x8



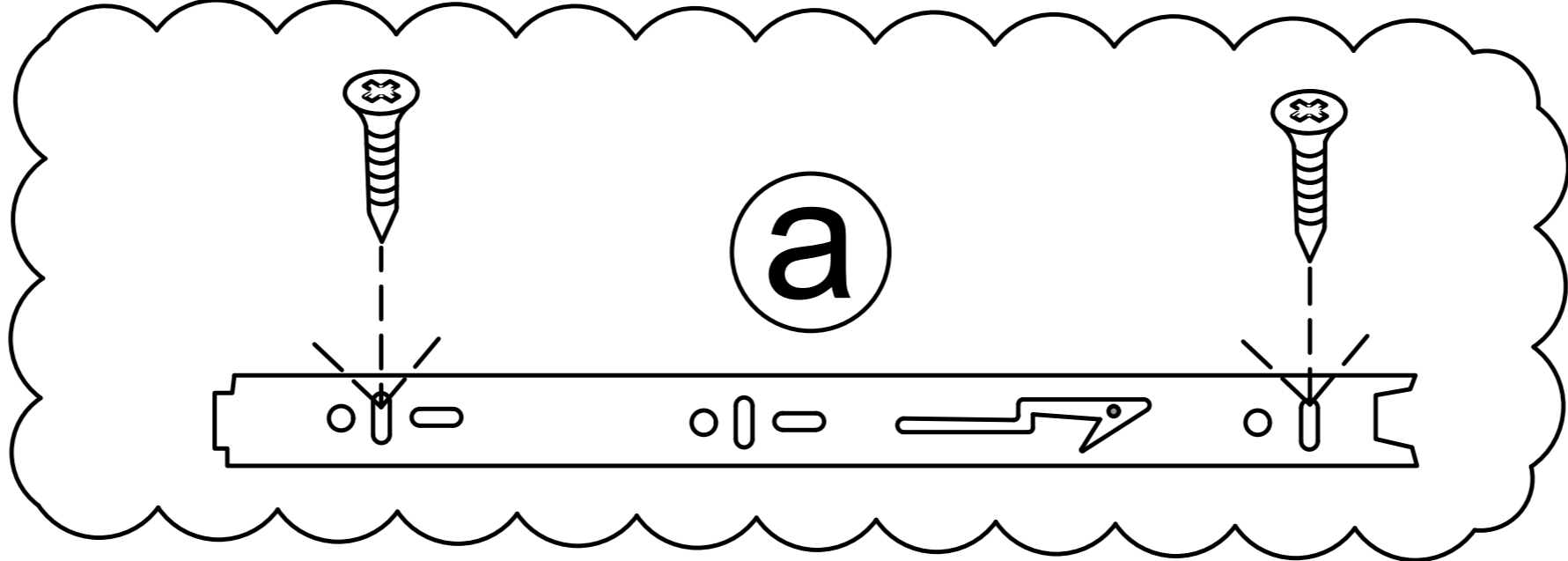
Drawer rail breakdown diagram

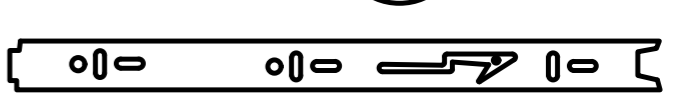
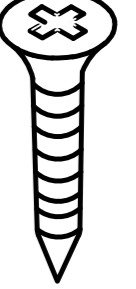


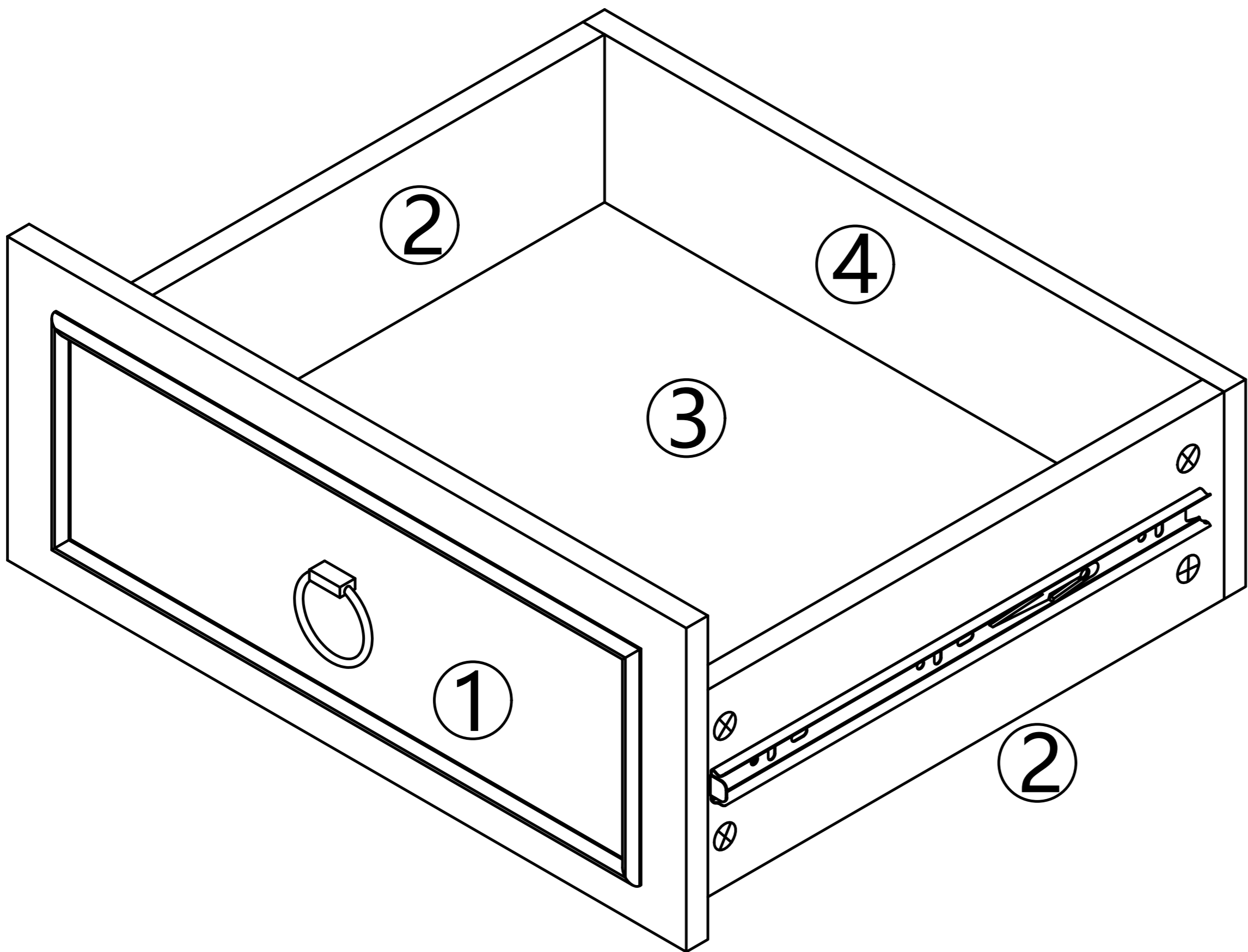
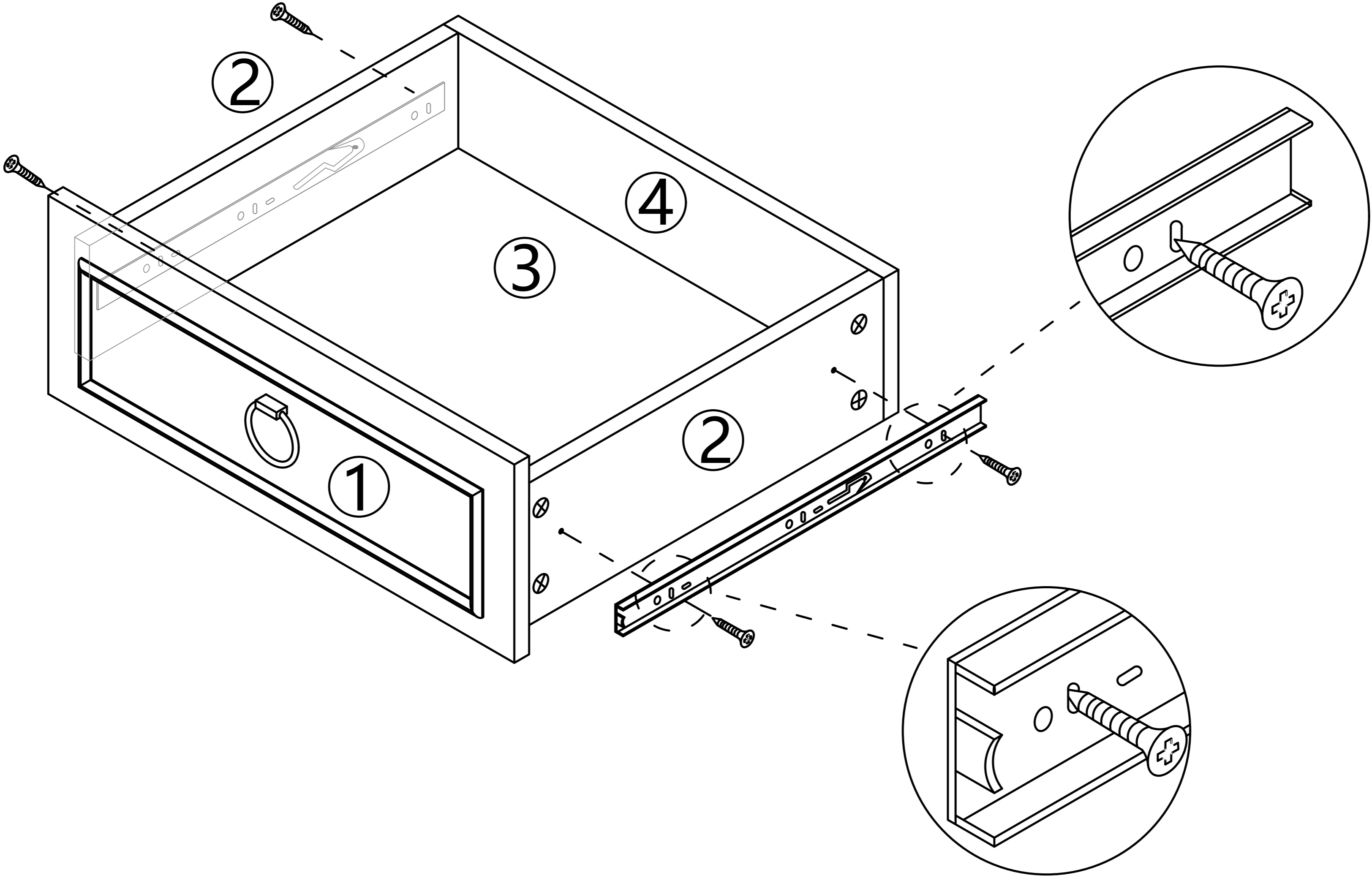
Step 1 : Pull the rails apart  
 Step 2 : Push the nylon buckle outward ⓐ



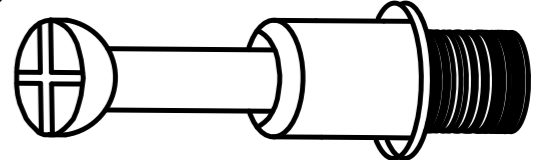
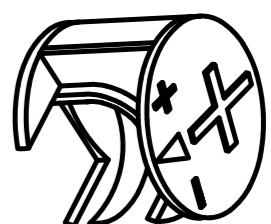




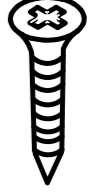
Step 7



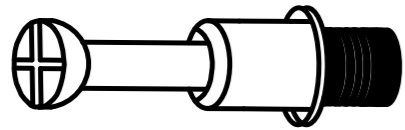


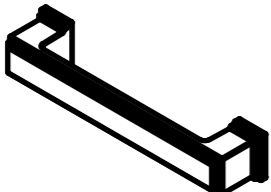



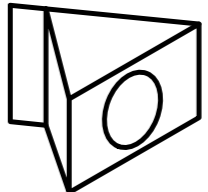

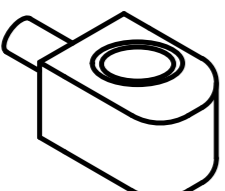

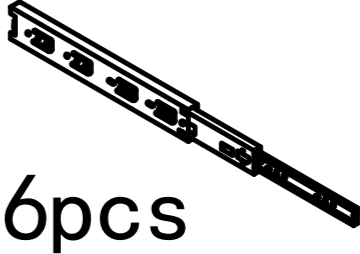
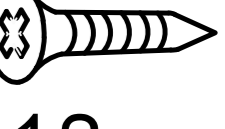
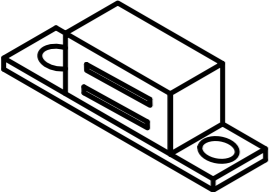

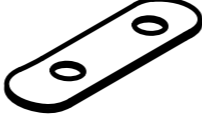

- N** **a**  x2
-  x4

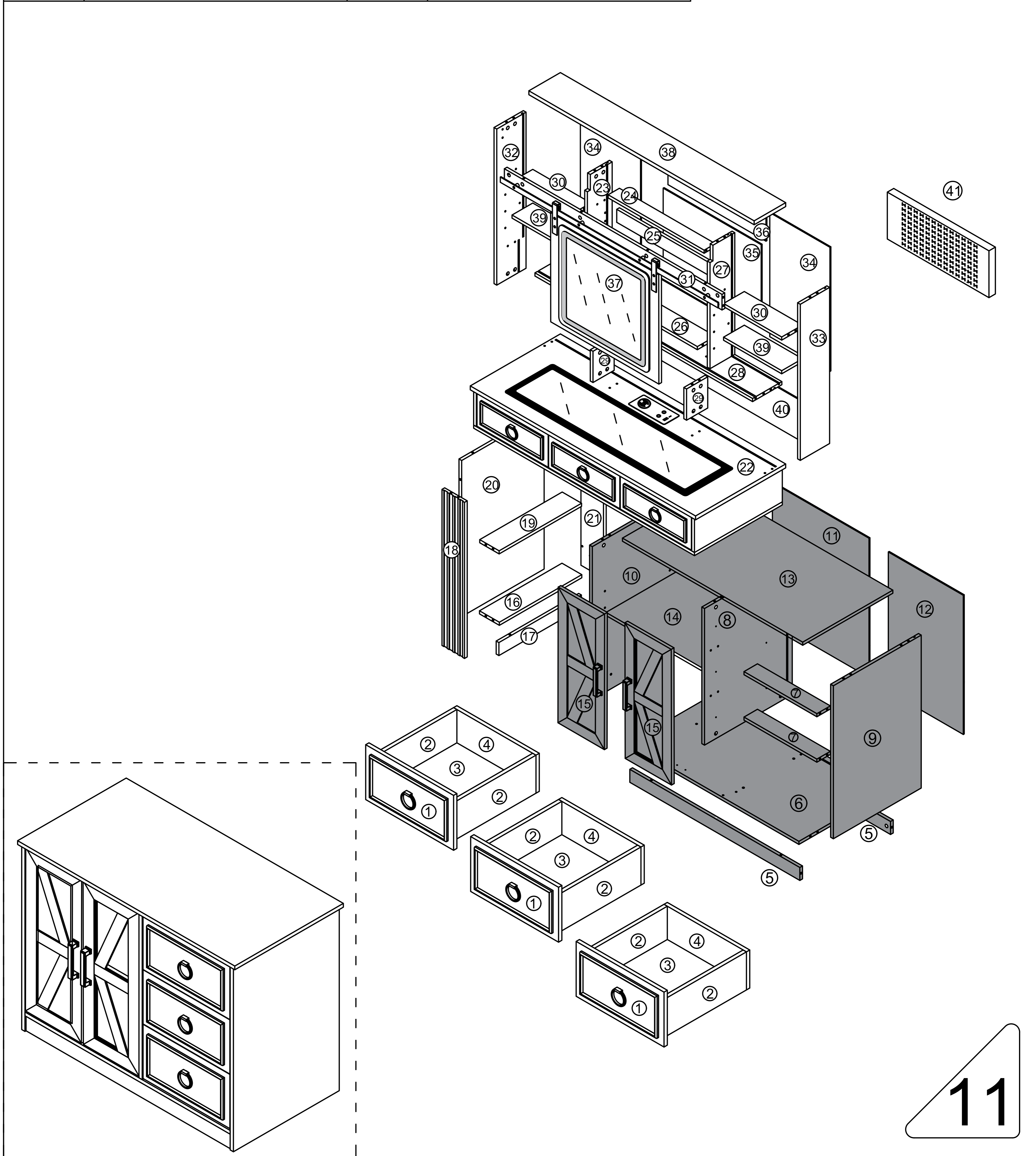


x3

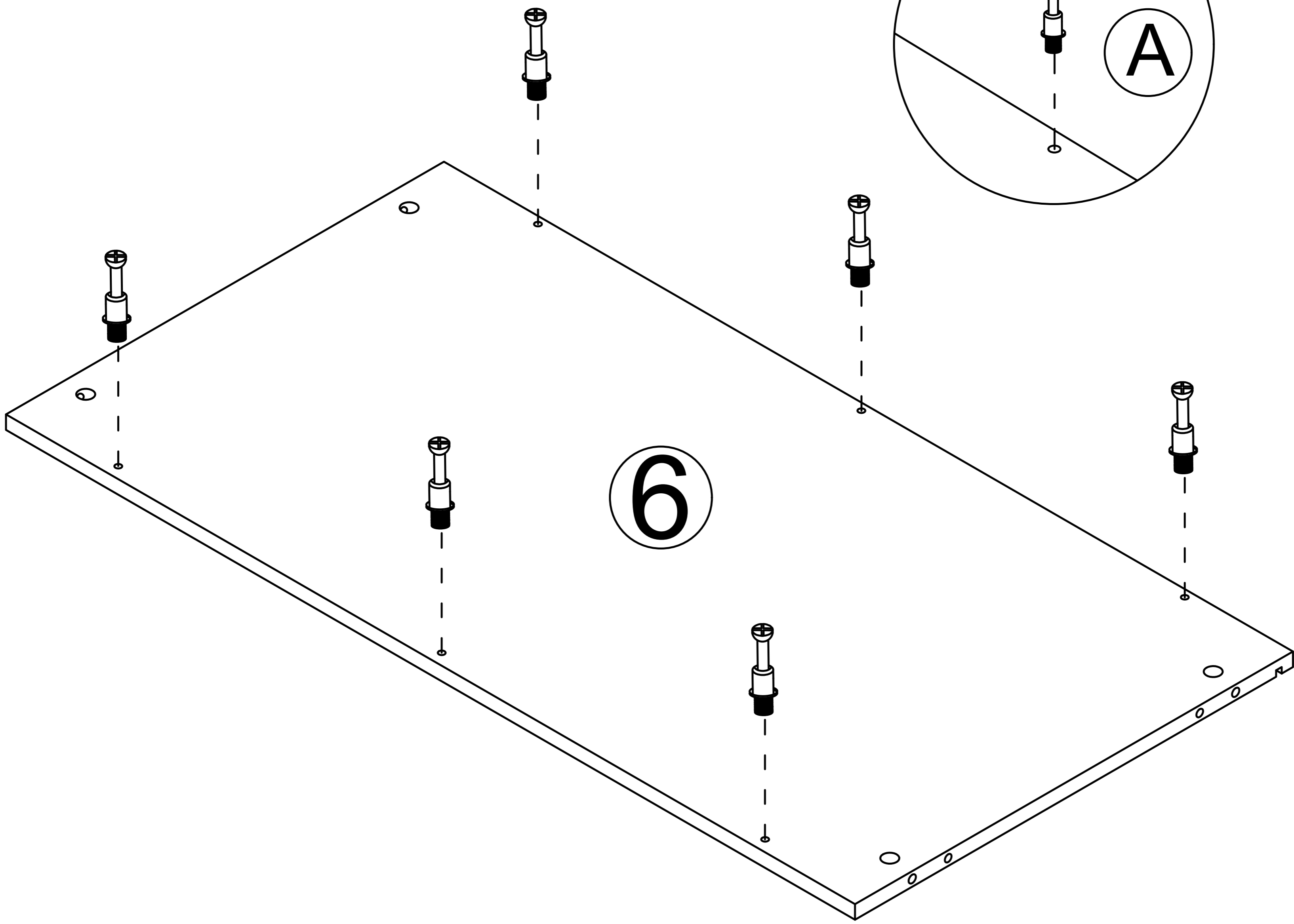
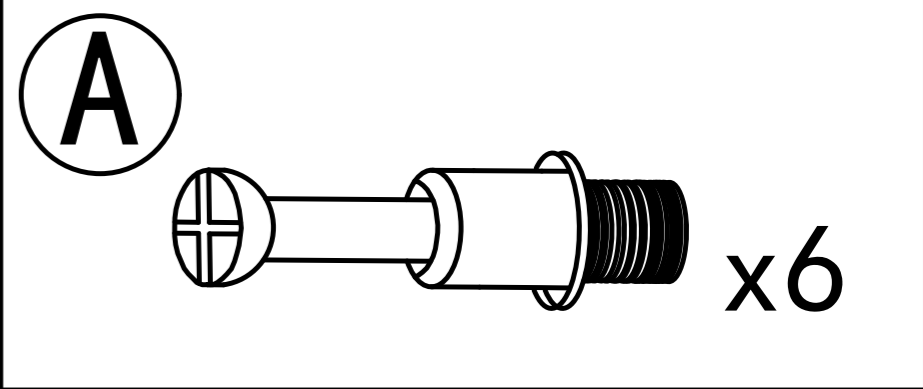
- A**  x16
- B**  x16
- D**  x2    x2    x2
- N** **a**  x4
-  x8

Repeat the drawer installation steps

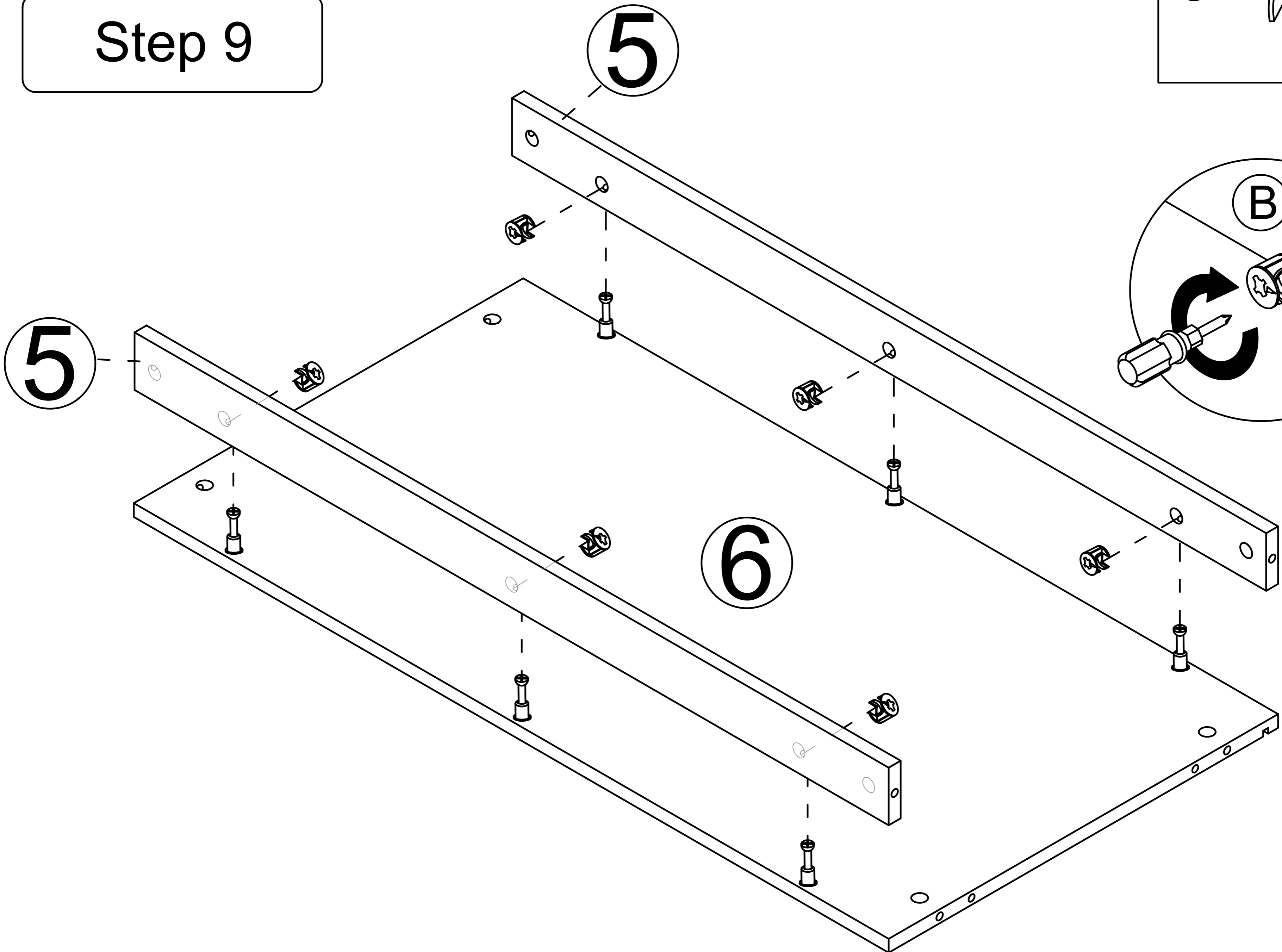
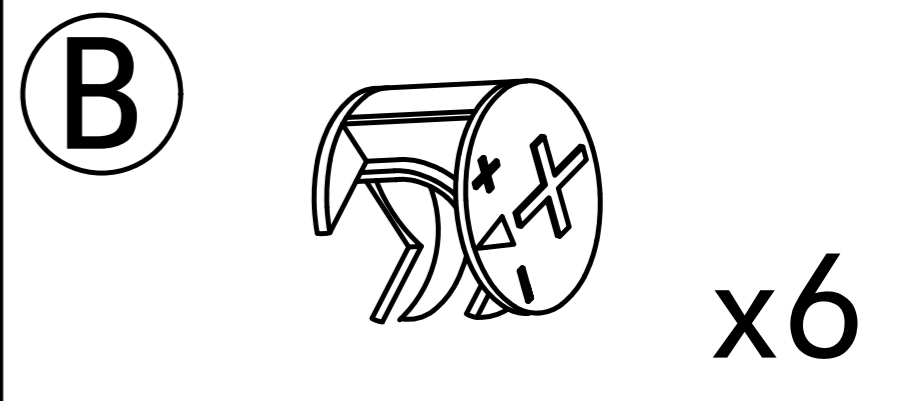
<b>A</b>		30pcs	<b>B</b>		30pcs	<b>C</b>		12pcs
<b>E</b>	 2pcs	 4pcs	<b>I</b>	 4pcs	 8pcs	<b>J</b>	 14pcs	 14pcs
<b>K</b>	 4pcs		<b>M</b>	 8pcs		<b>N</b>	 6pcs	 18pcs
<b>P</b>	 2pcs	 4pcs	<b>Q</b>	 4pcs	 8pcs			



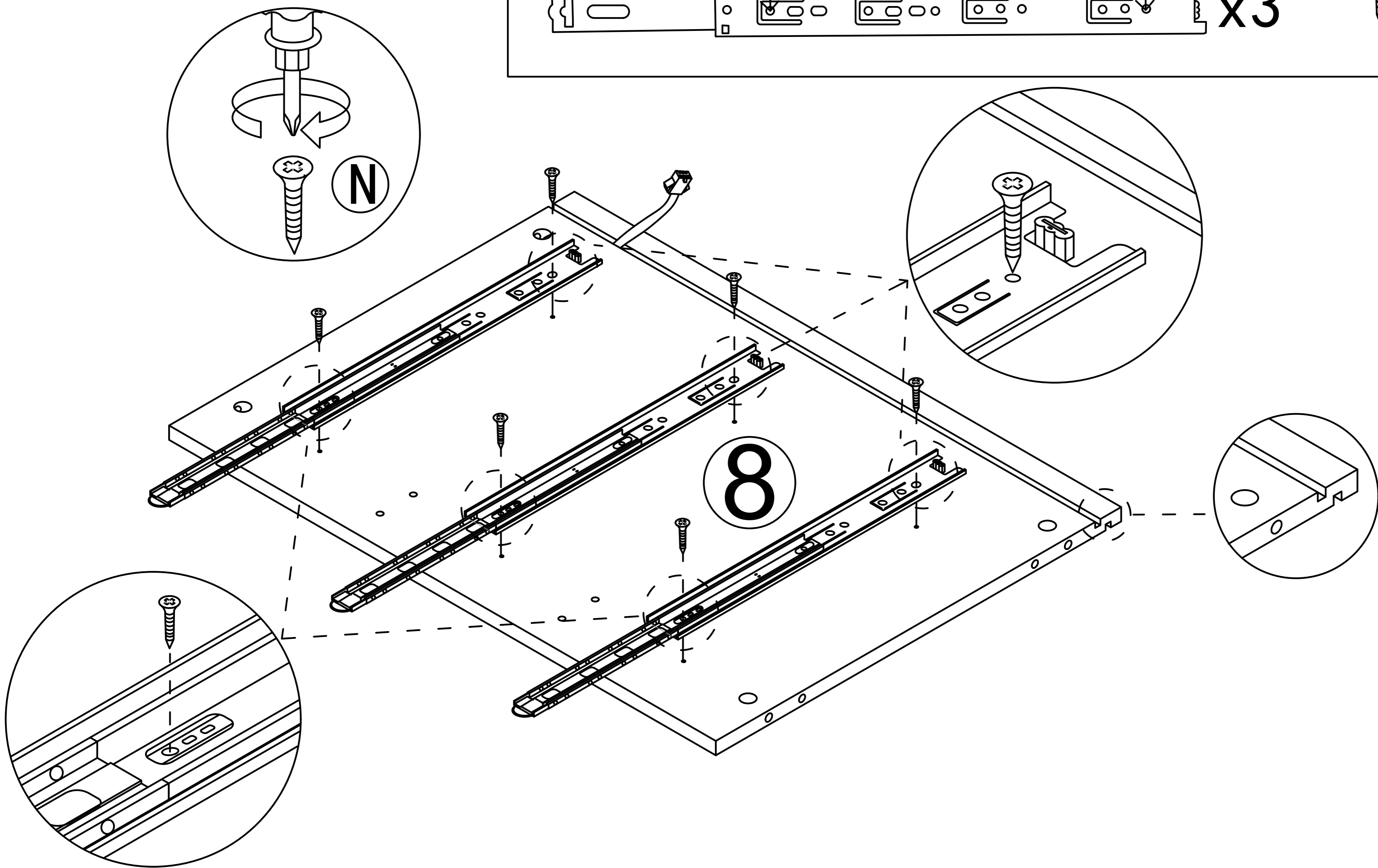
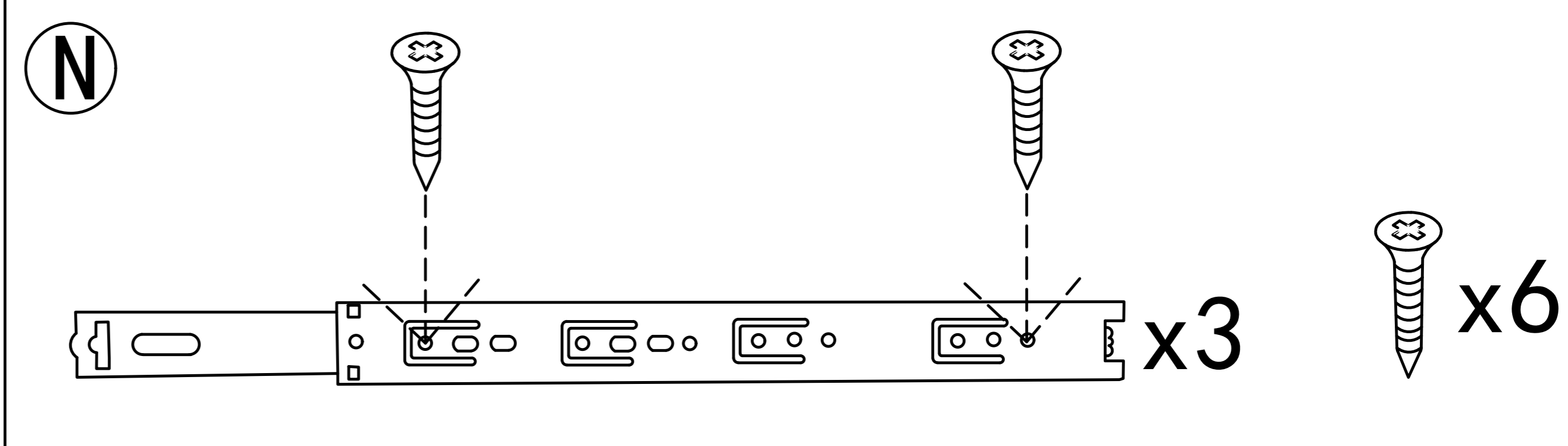
Step 8



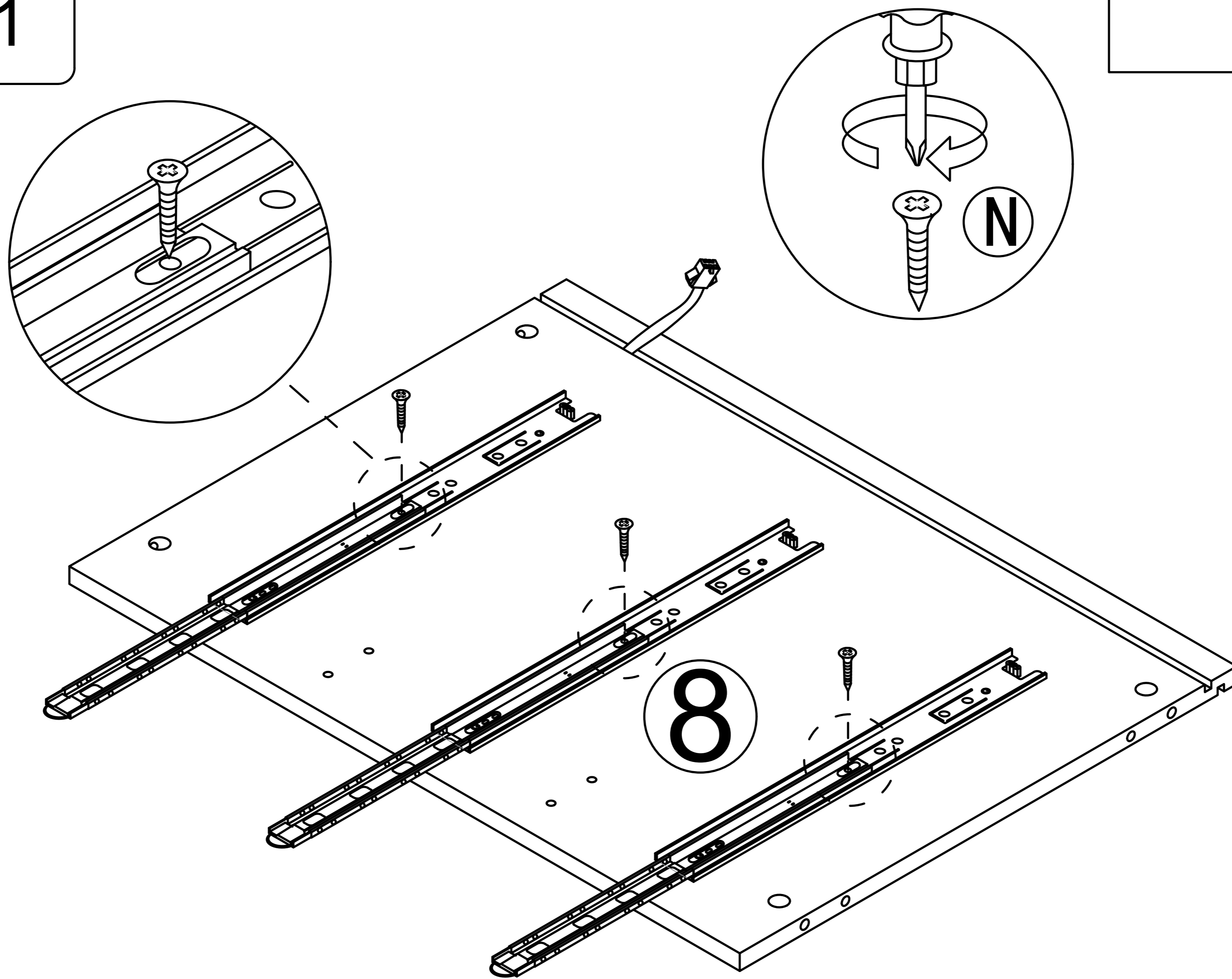
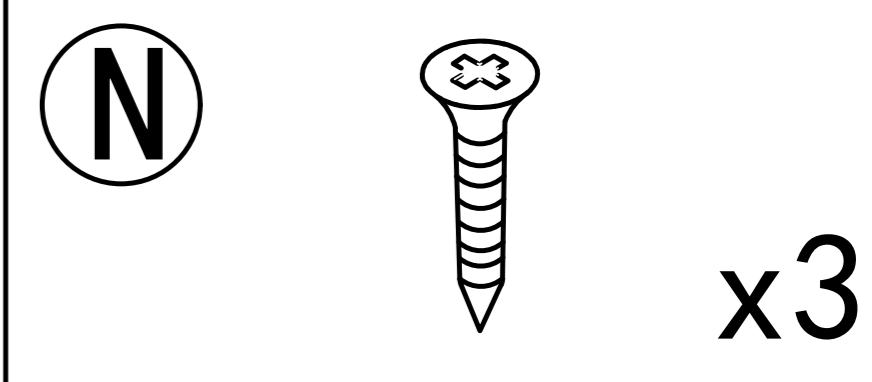
Step 9



Step 10

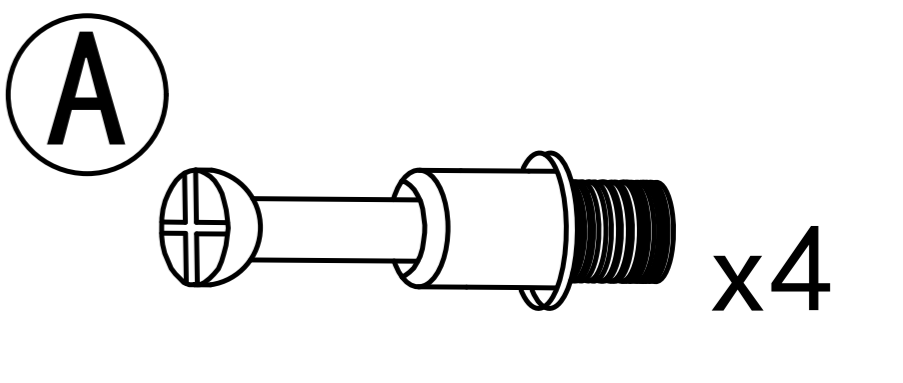
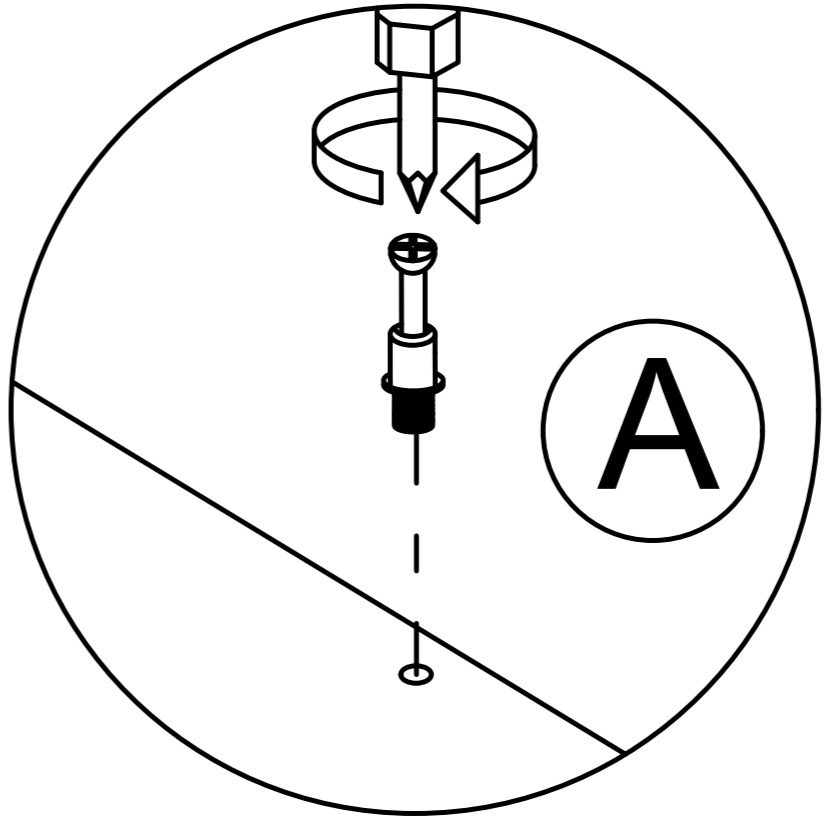
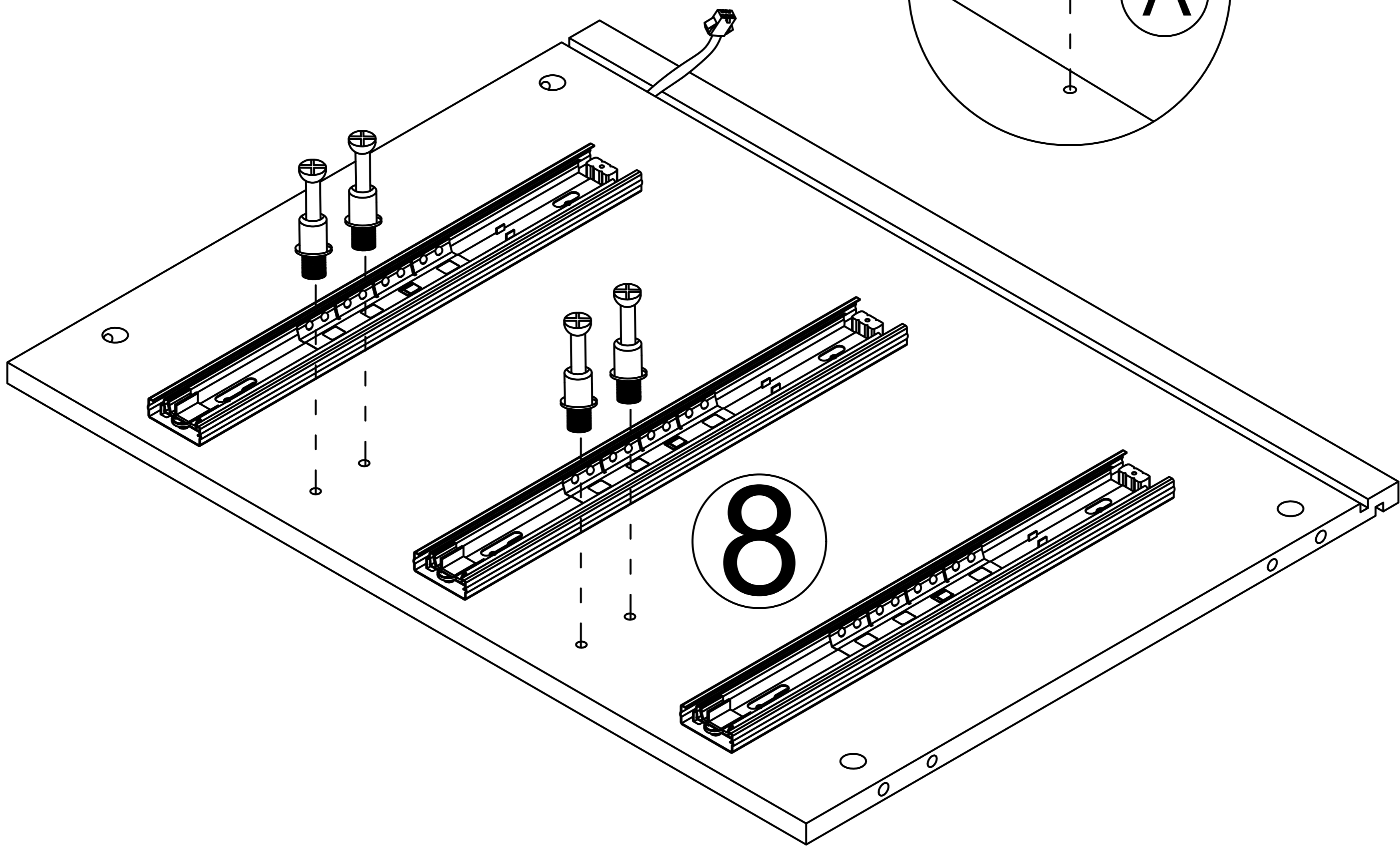


Step 11

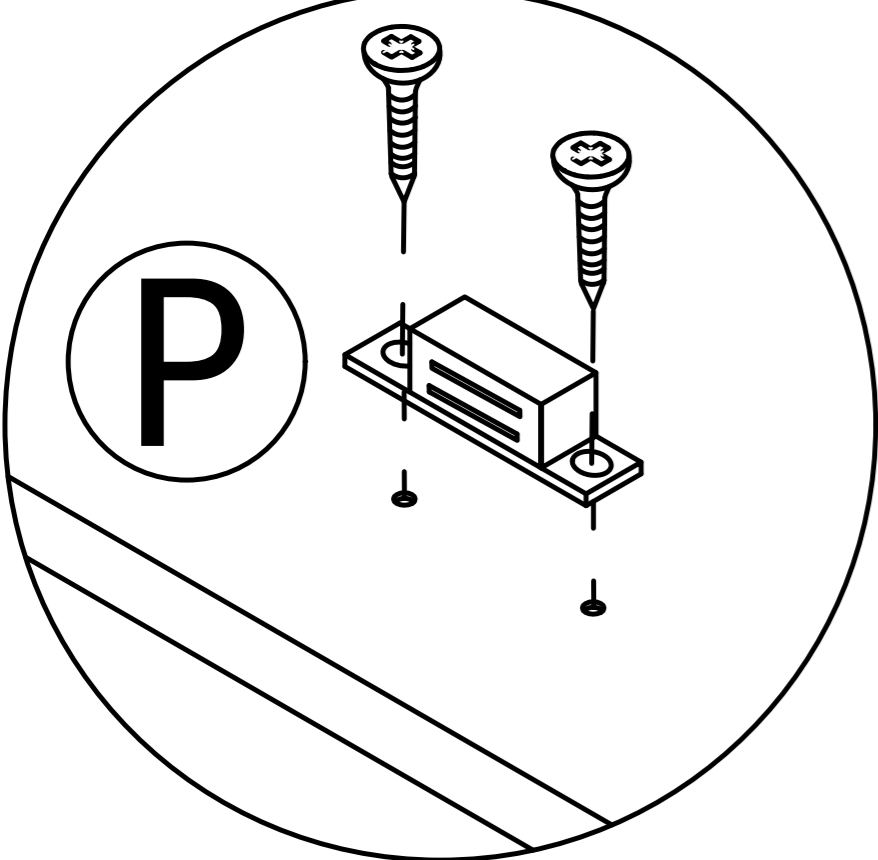
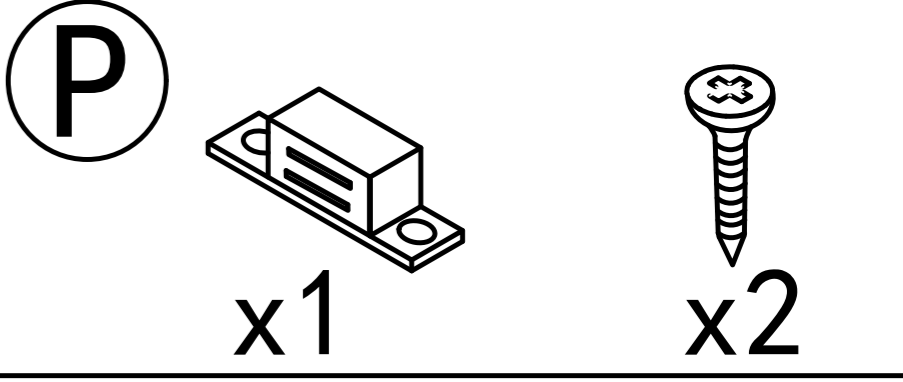
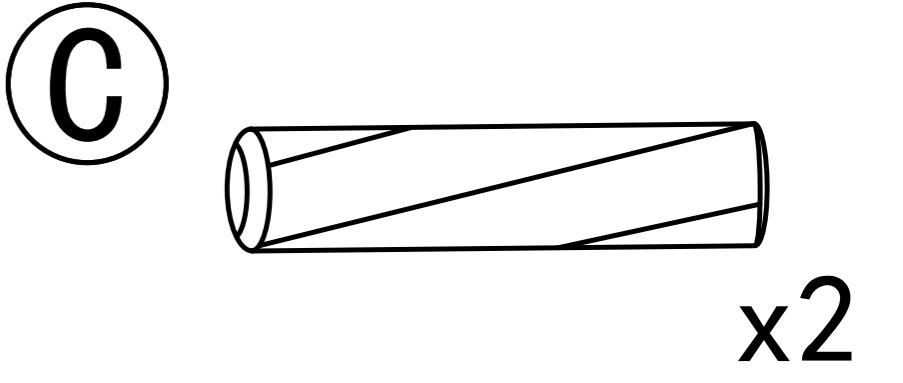
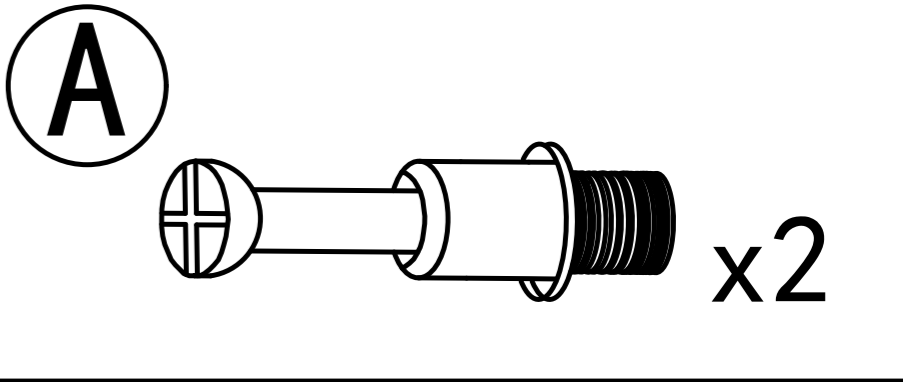
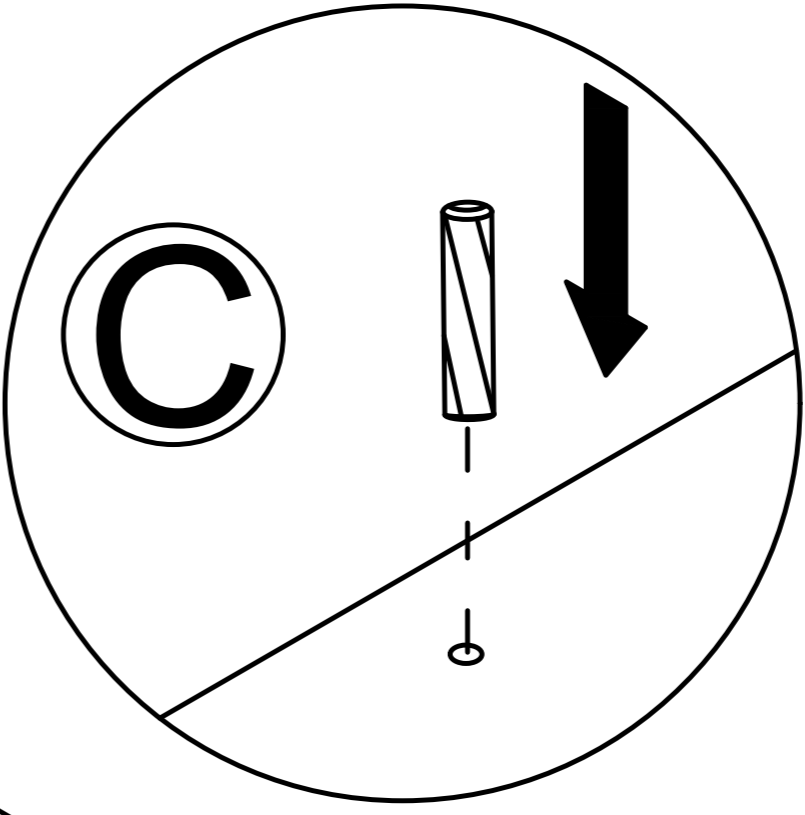
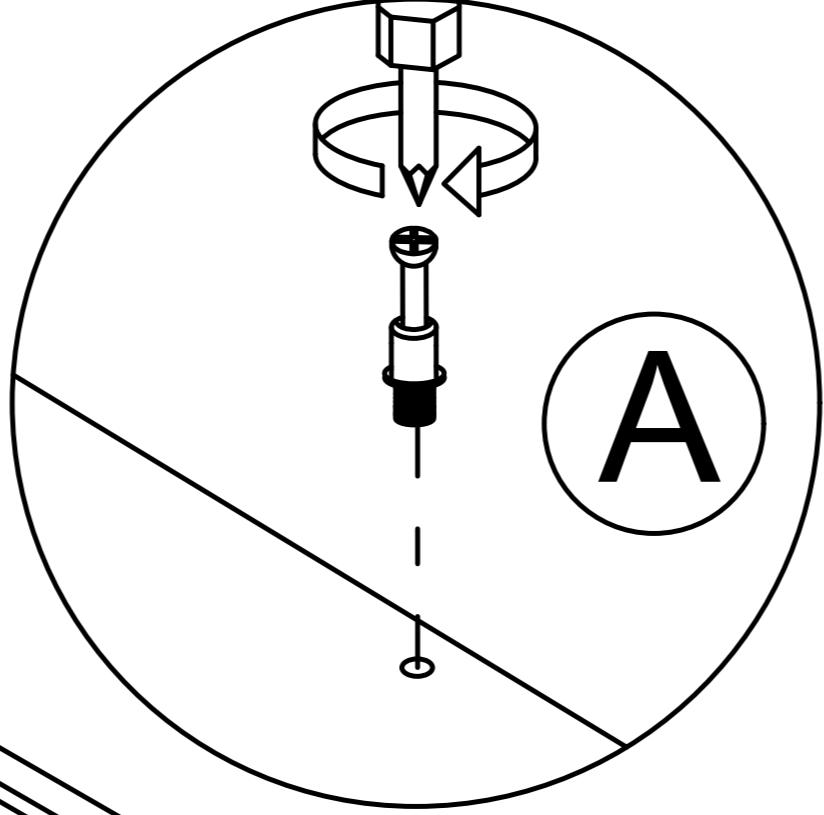
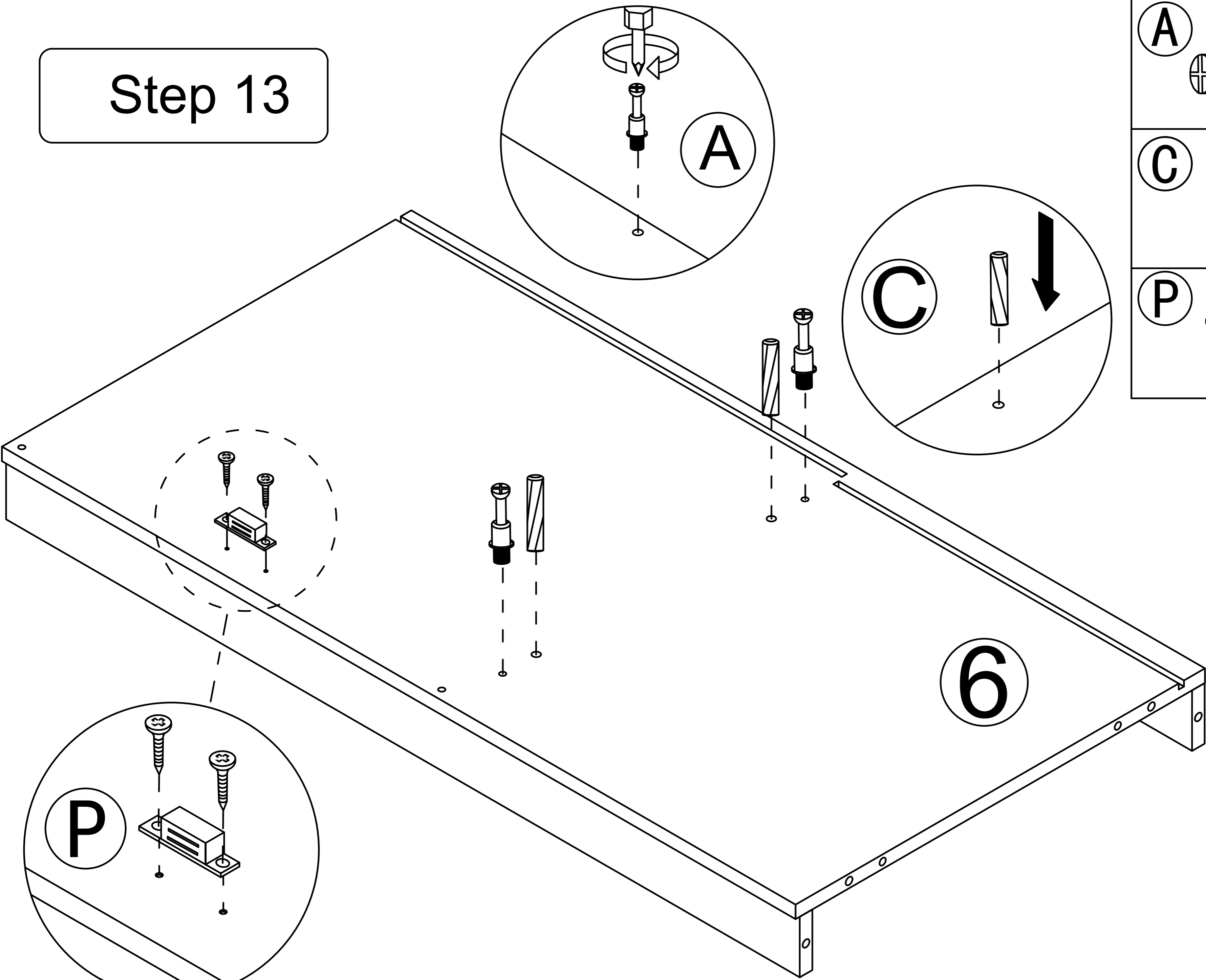


This hole is for strengthening fixed hole customers can choose to install according to their needs.

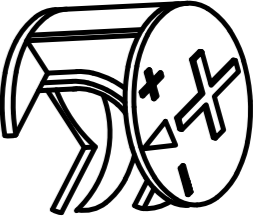
Step 12

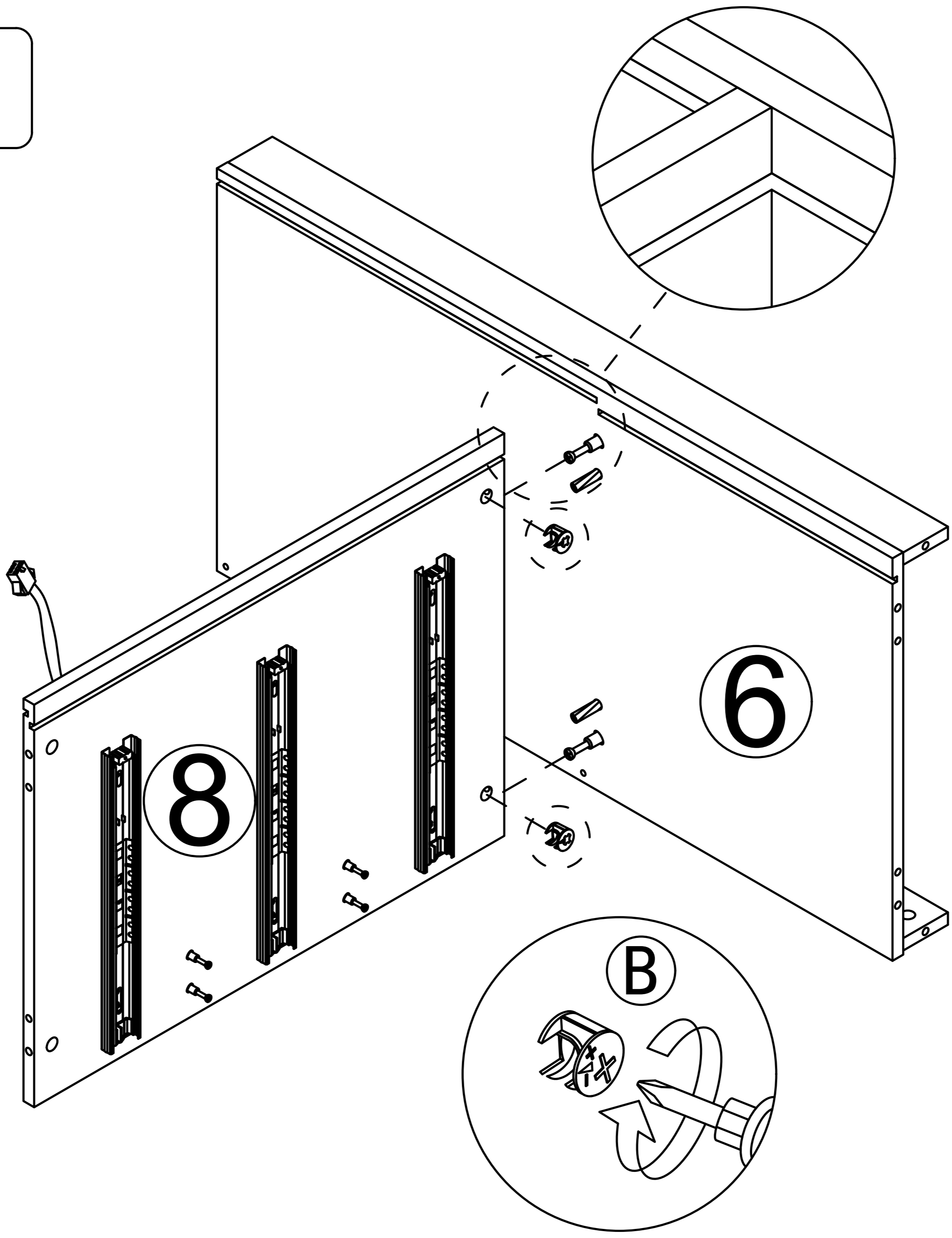


Step 13

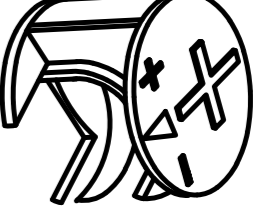


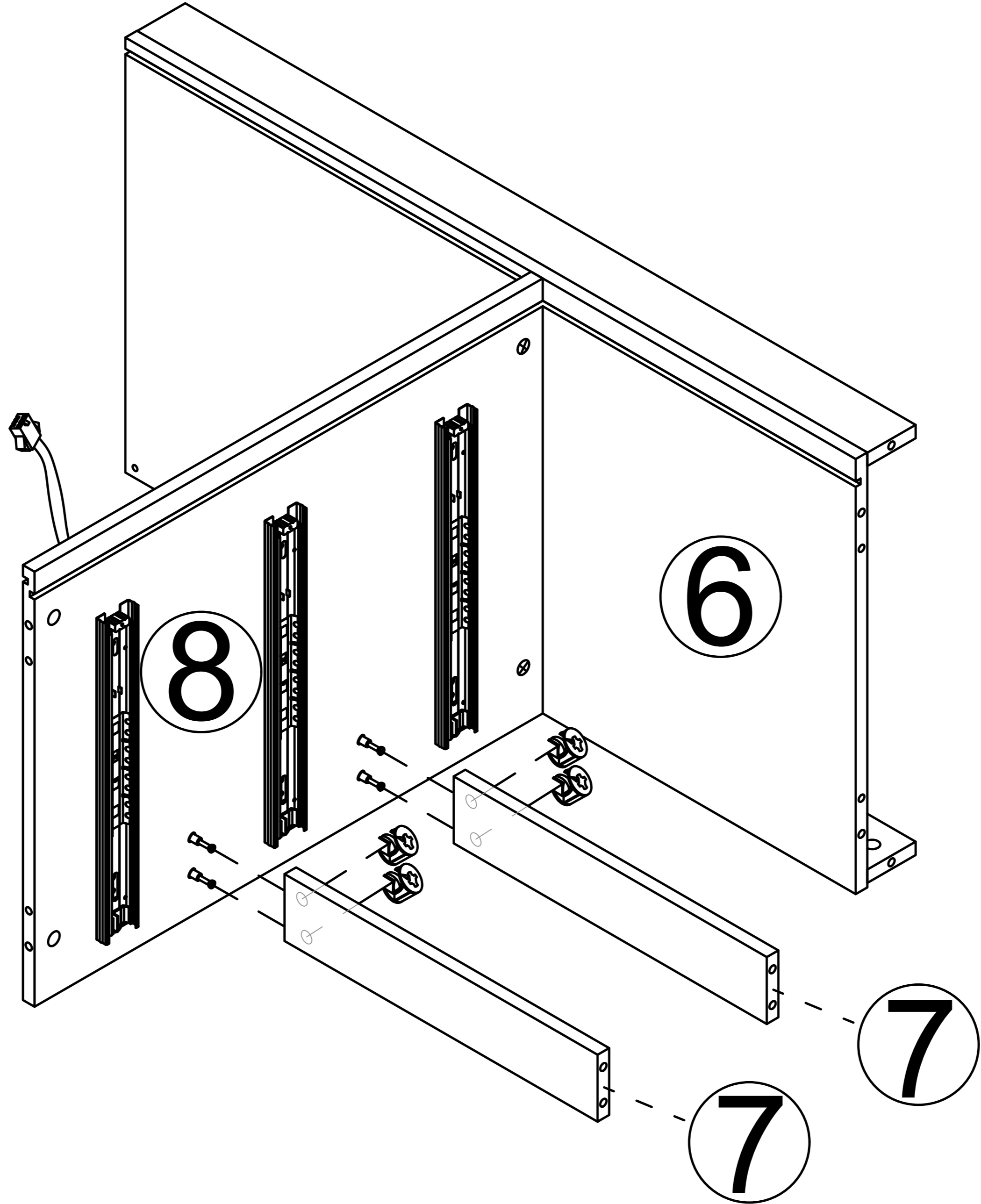
Step 14

**B**  x2

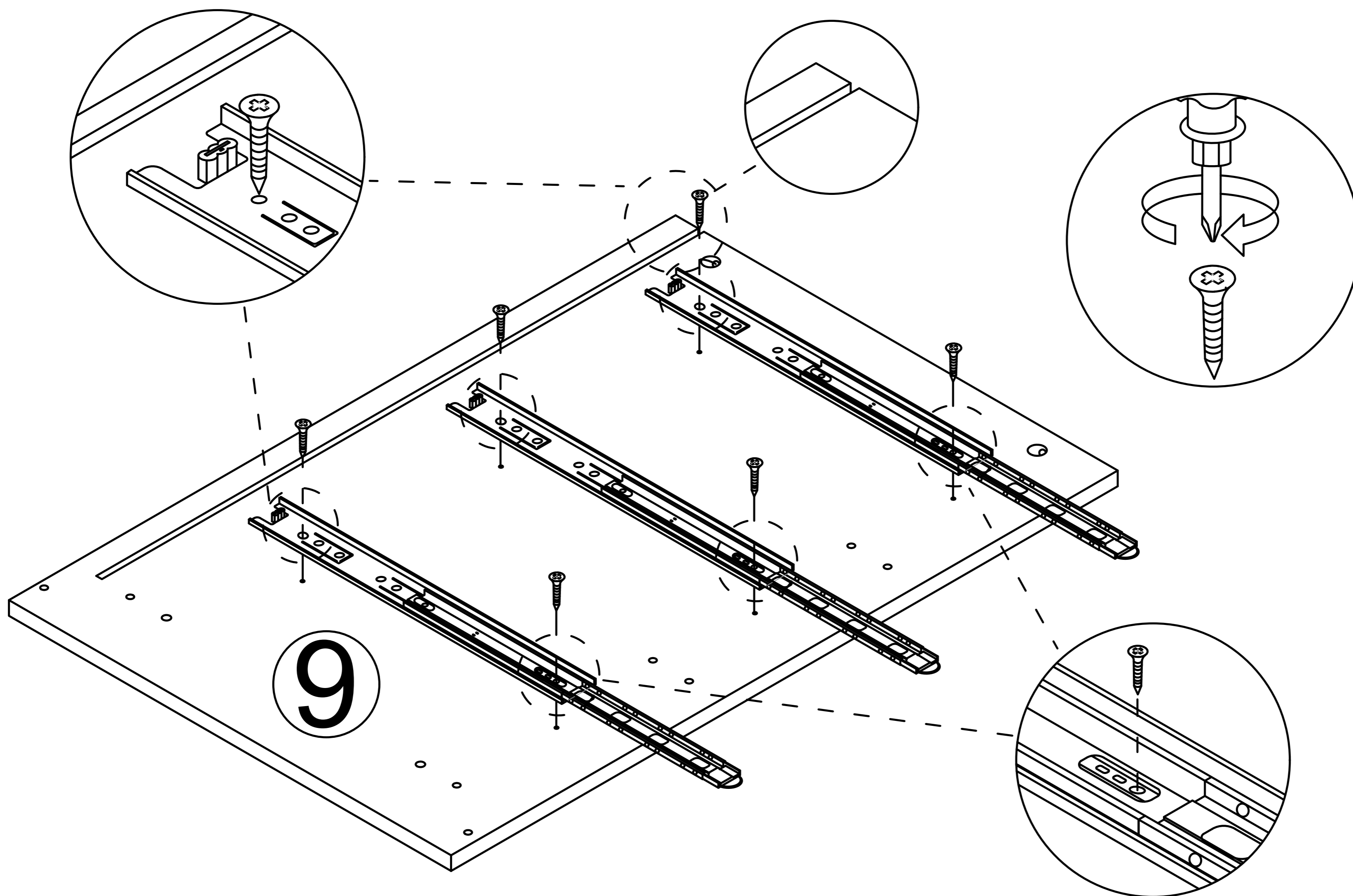
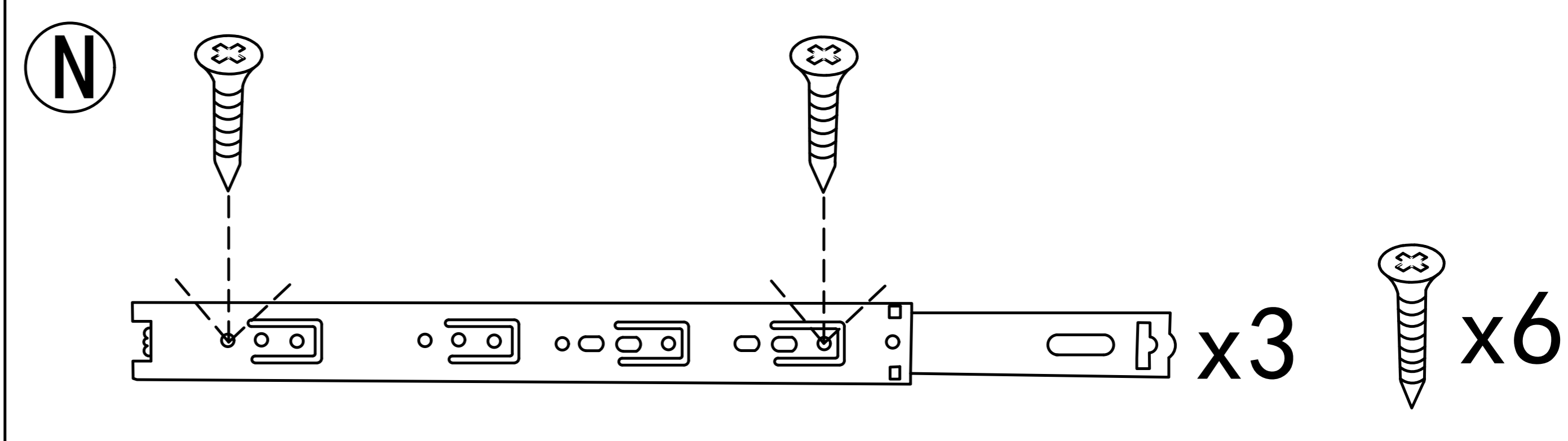


Step 15

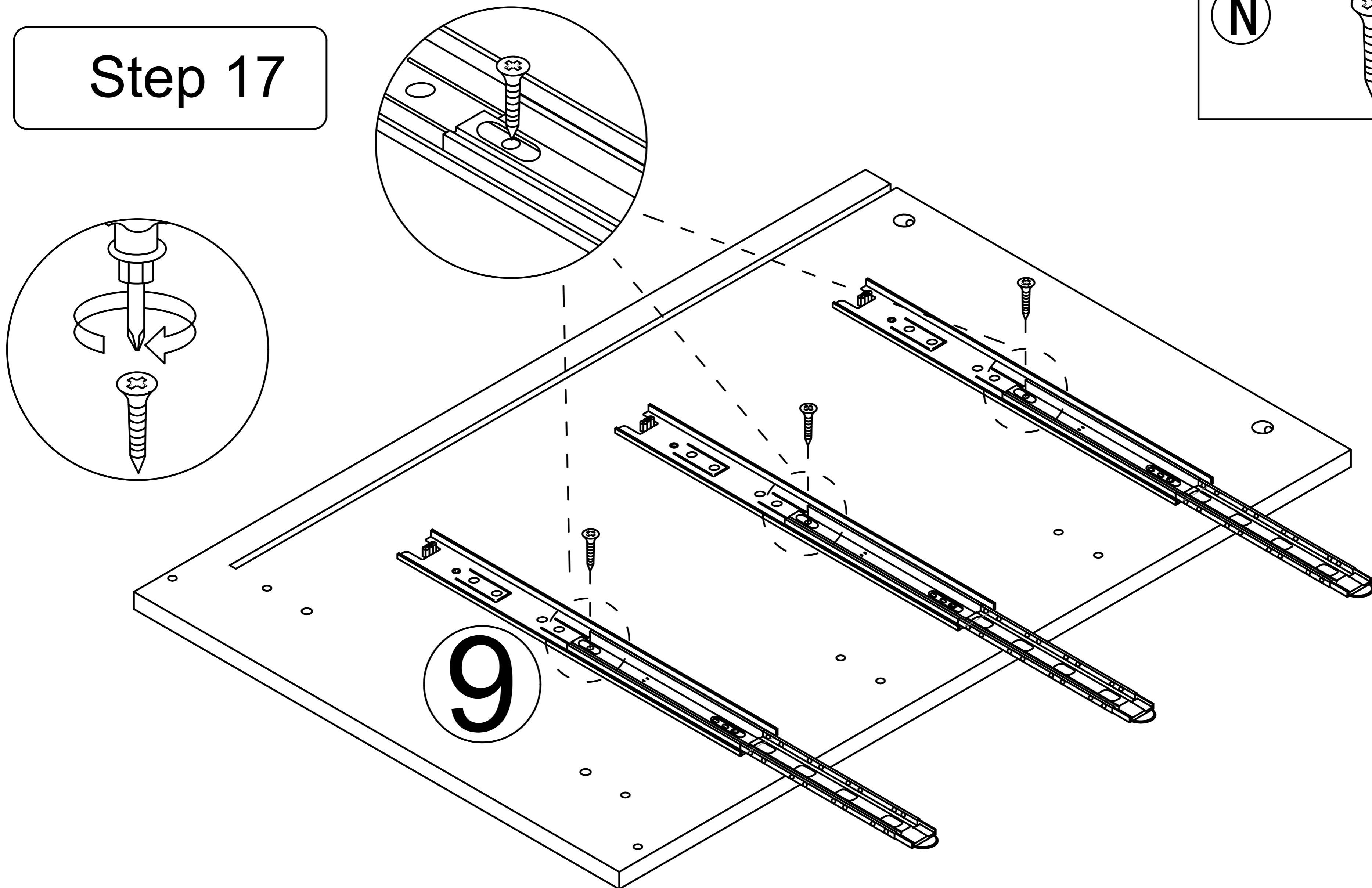
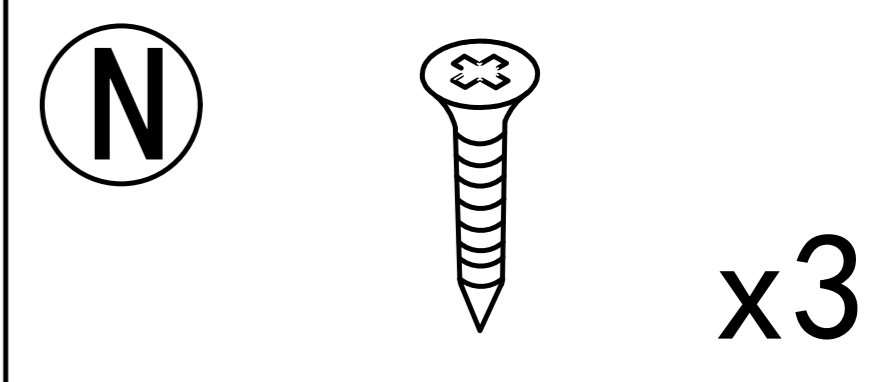
**B**  x4



Step 16

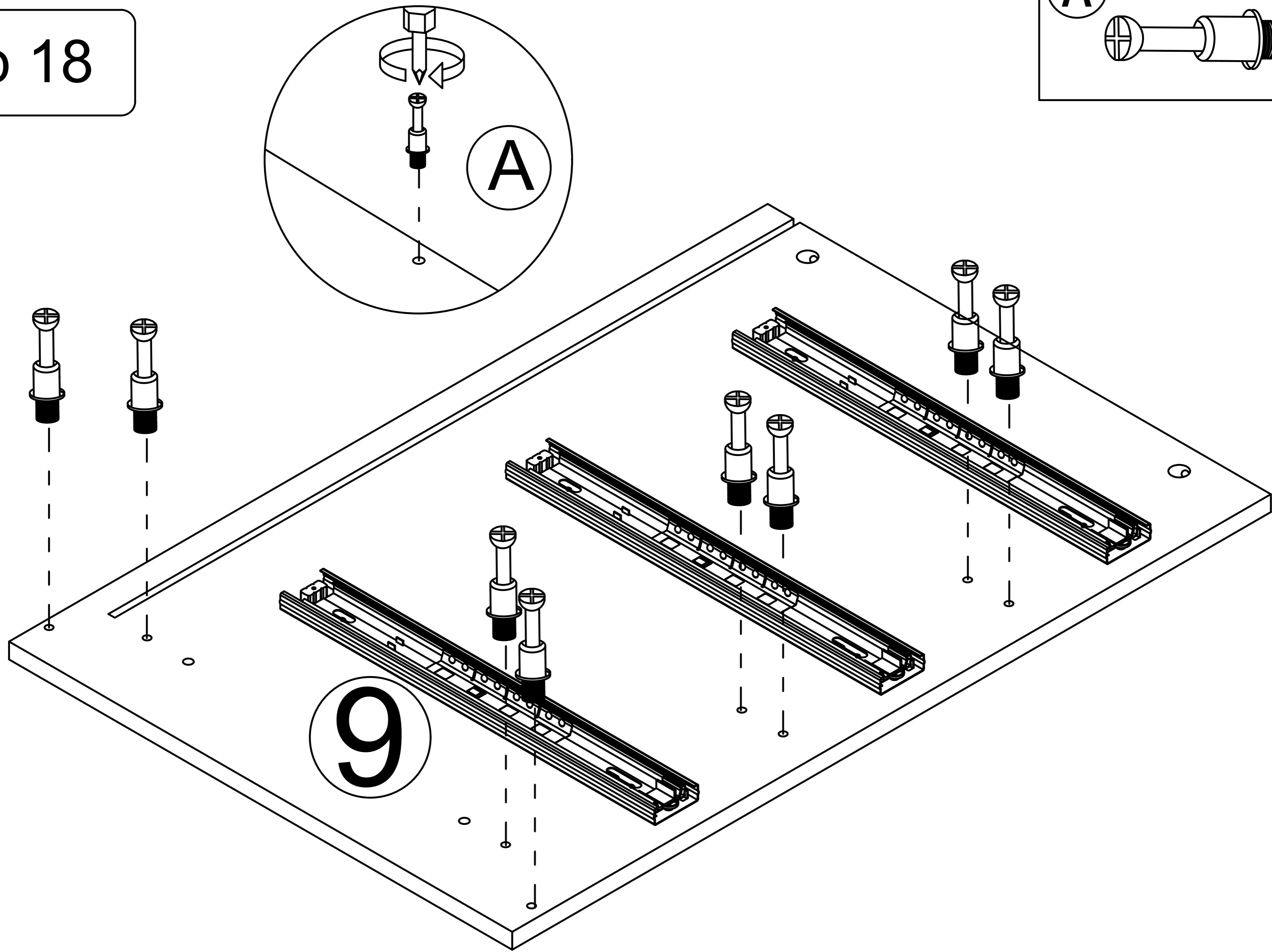
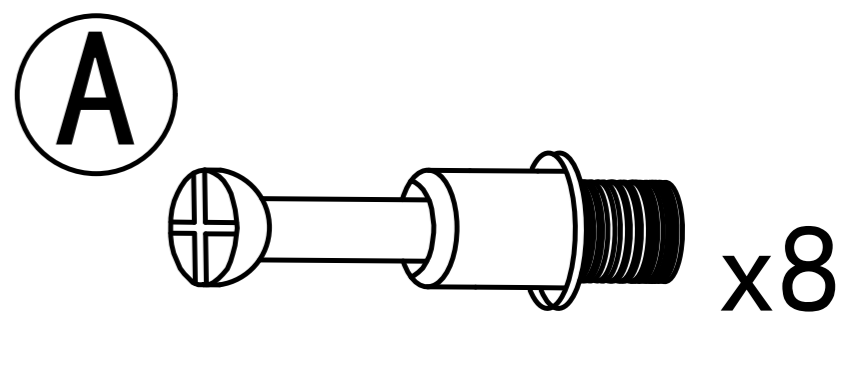


Step 17

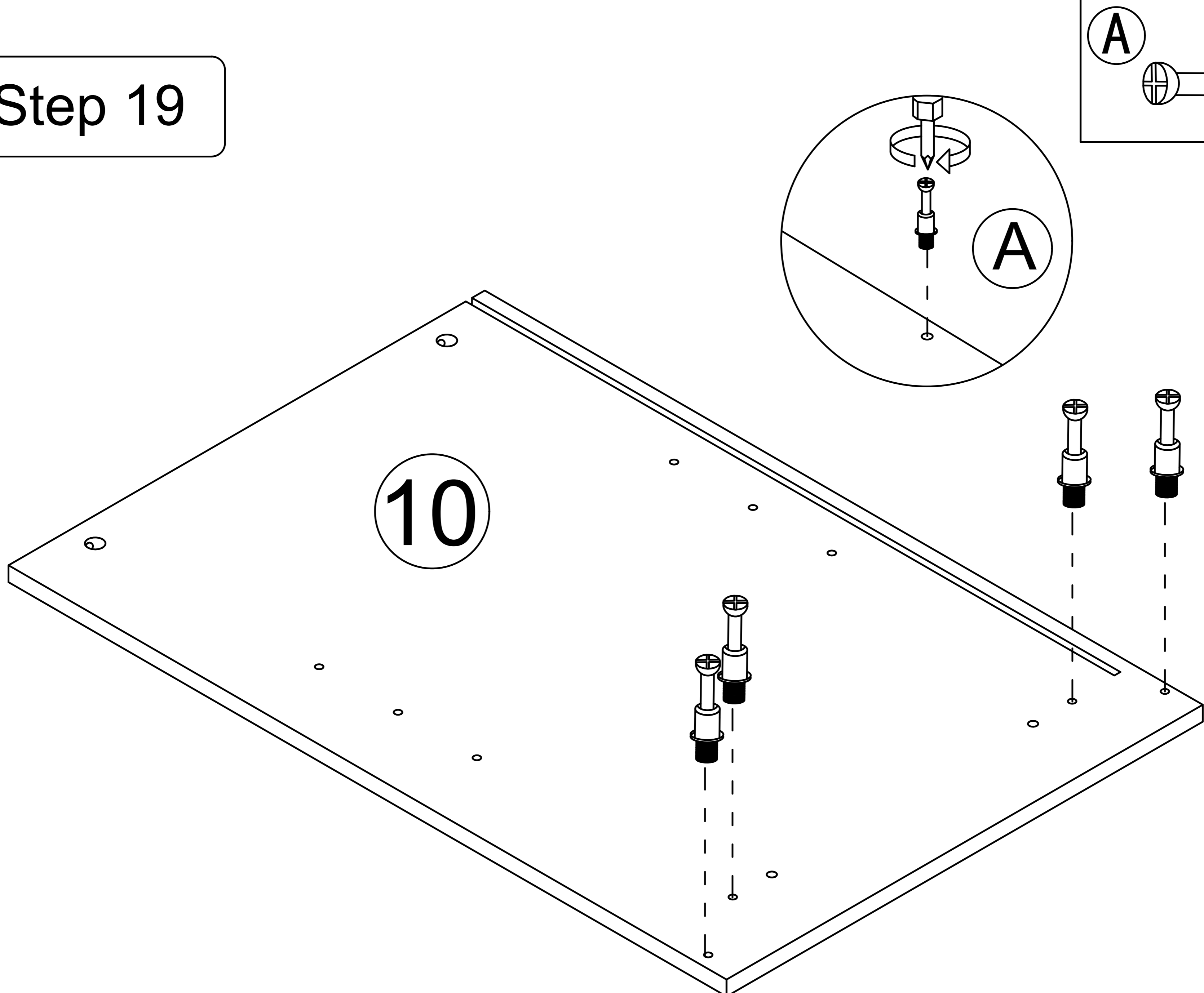
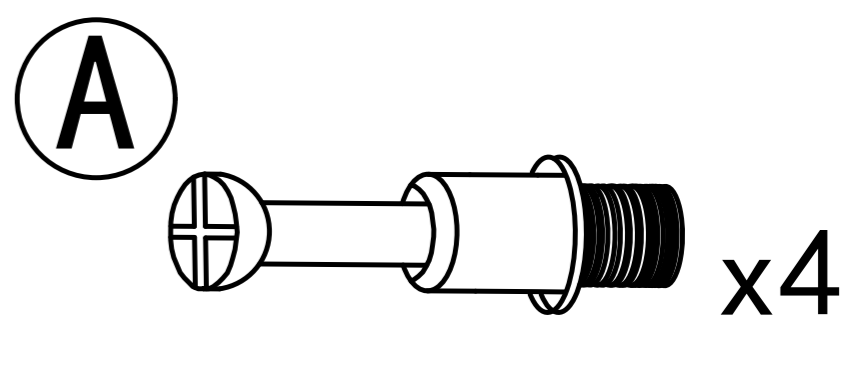


This hole is for strengthening fixed hole customers can choose to install according to their needs.

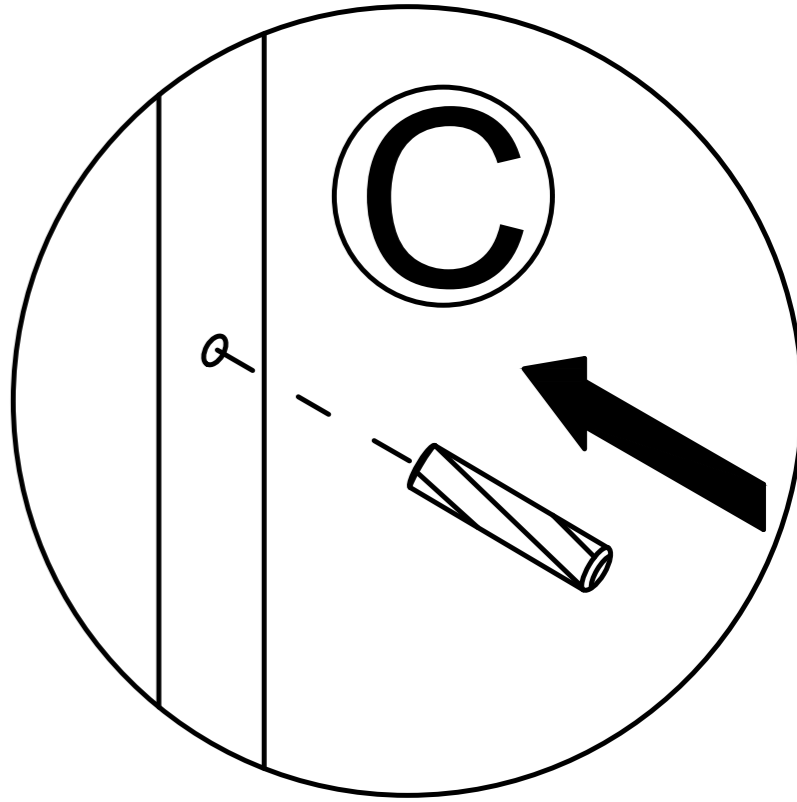
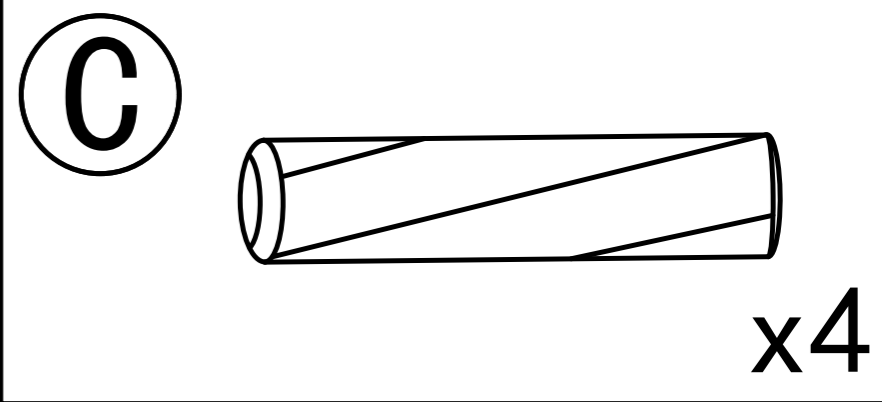
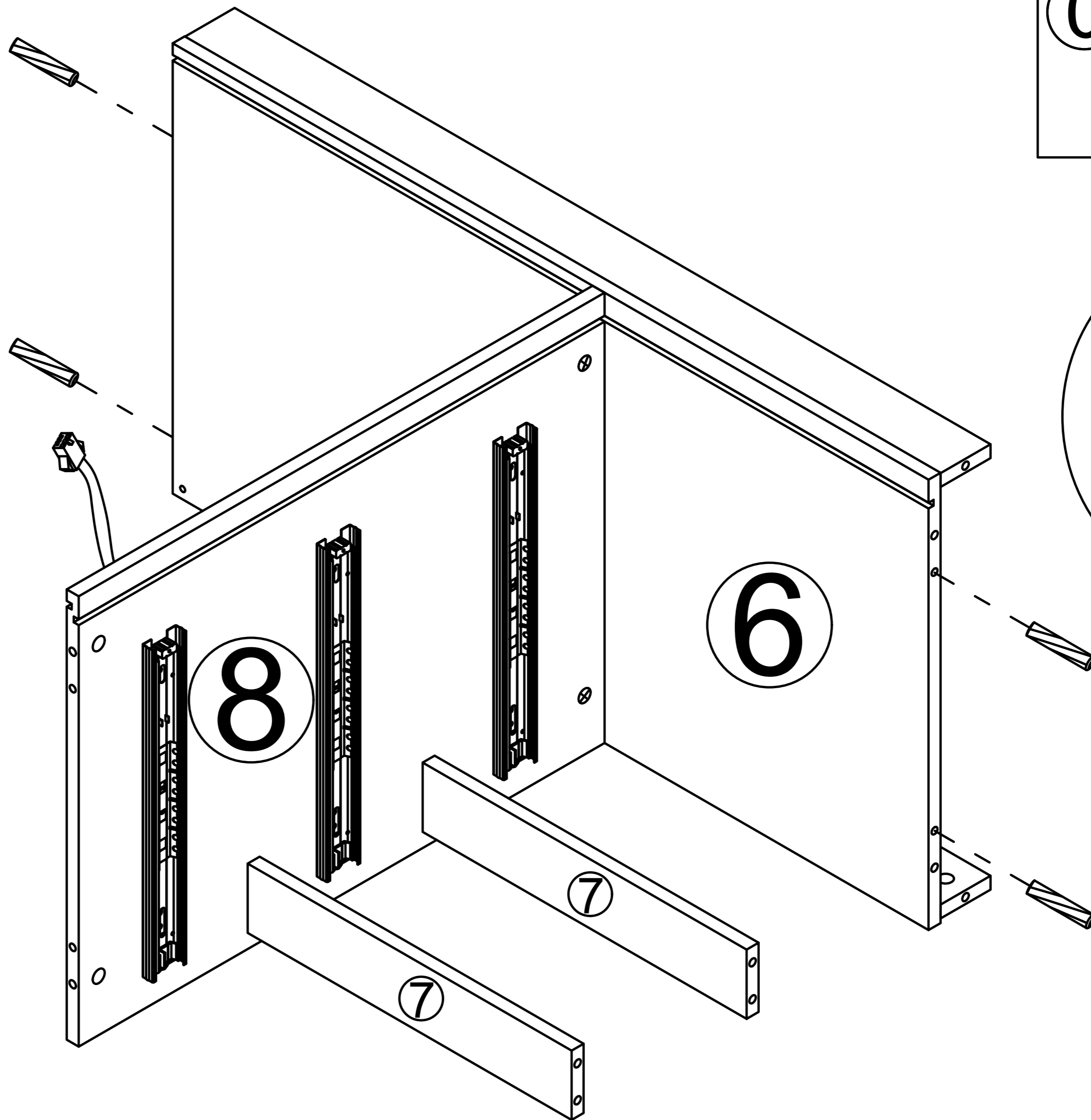
Step 18



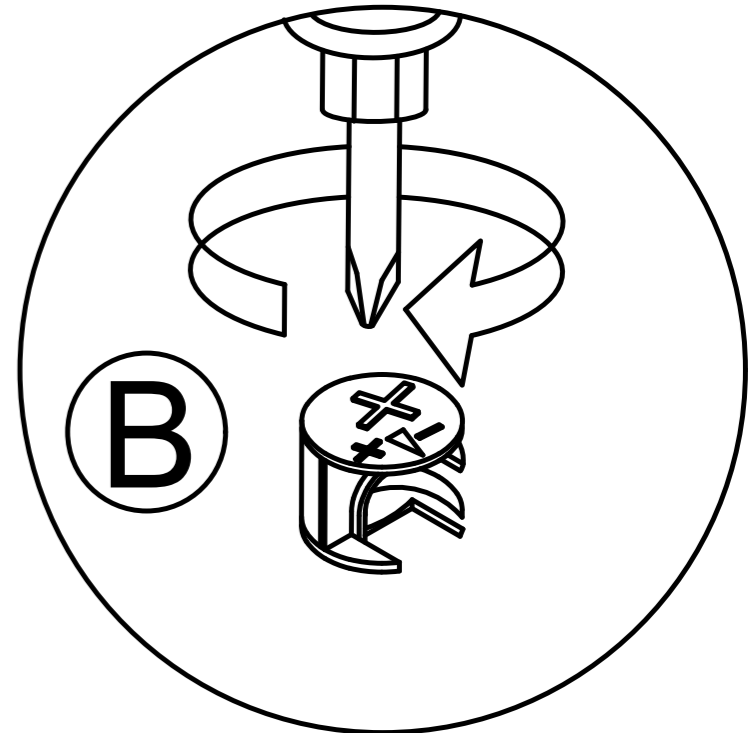
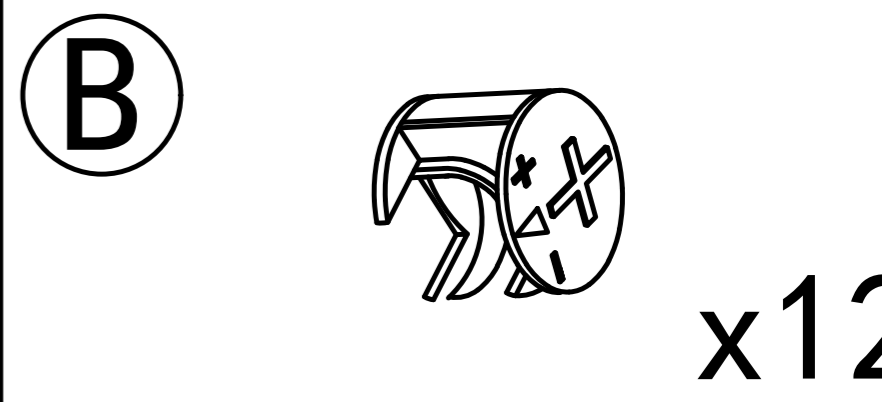
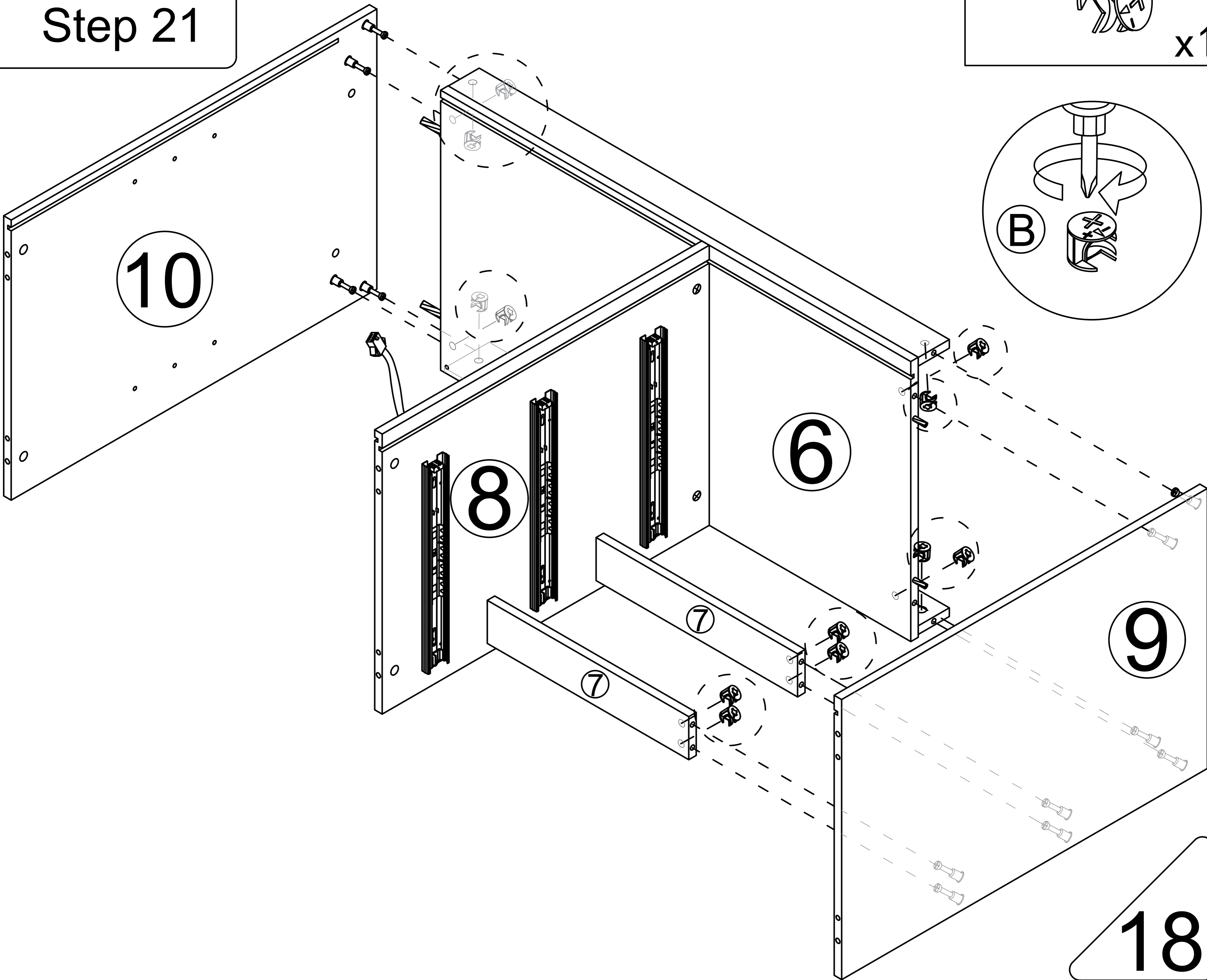
Step 19



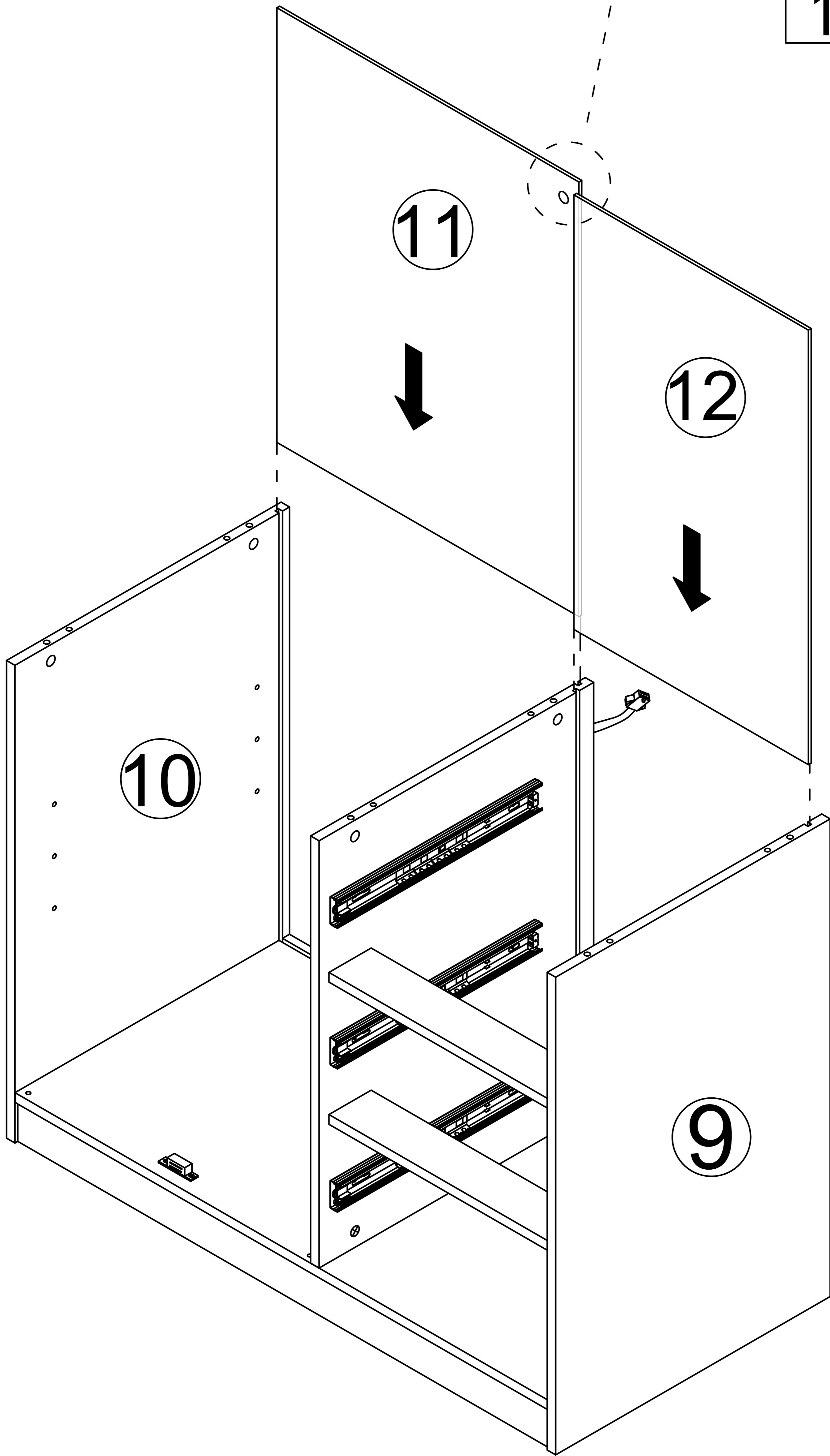
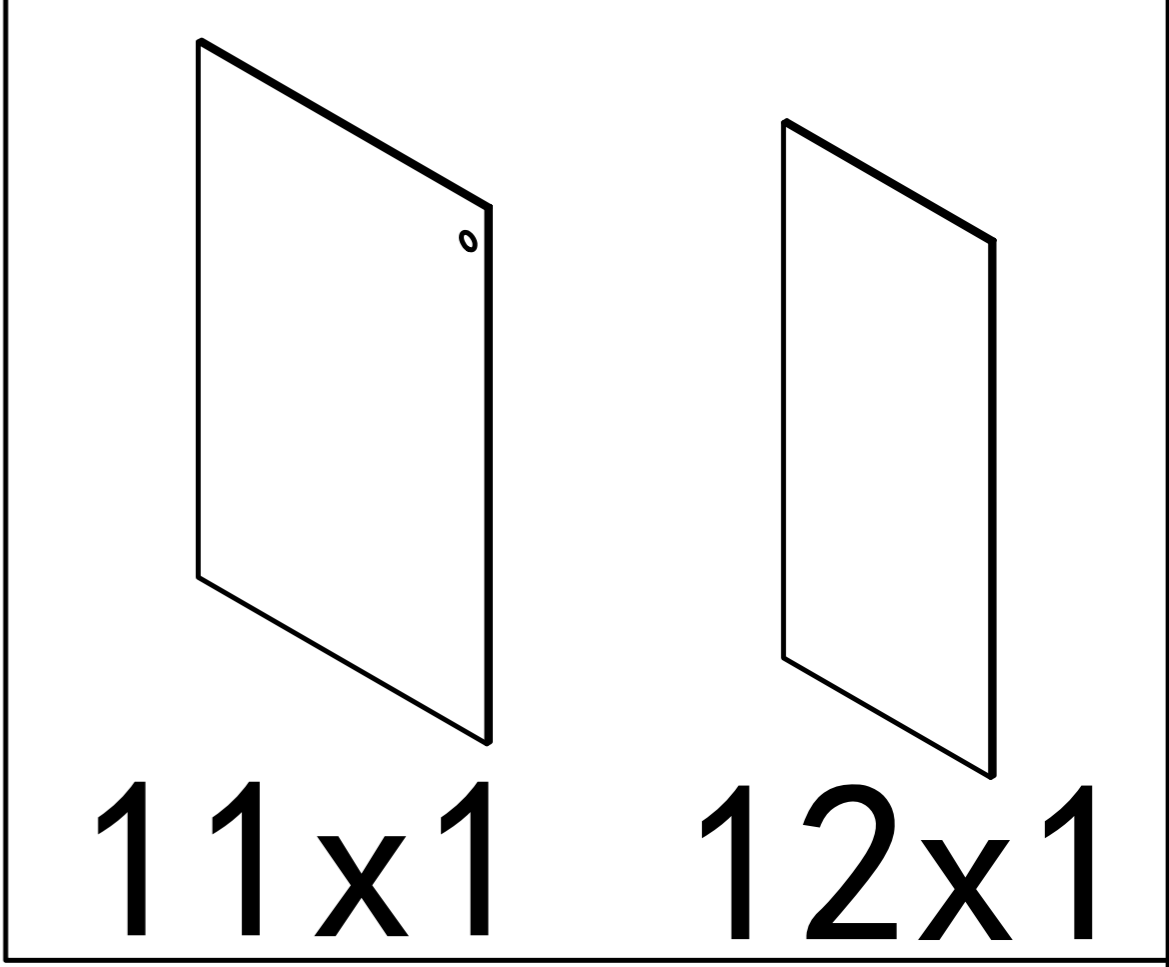
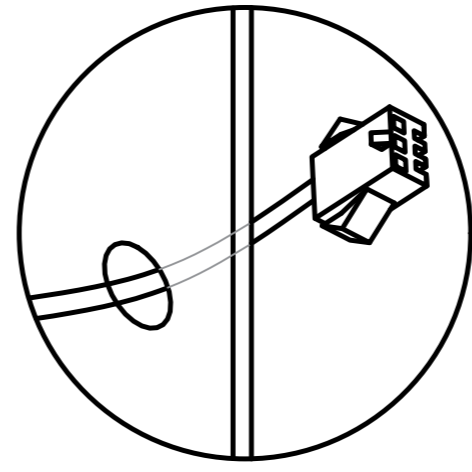
Step 20



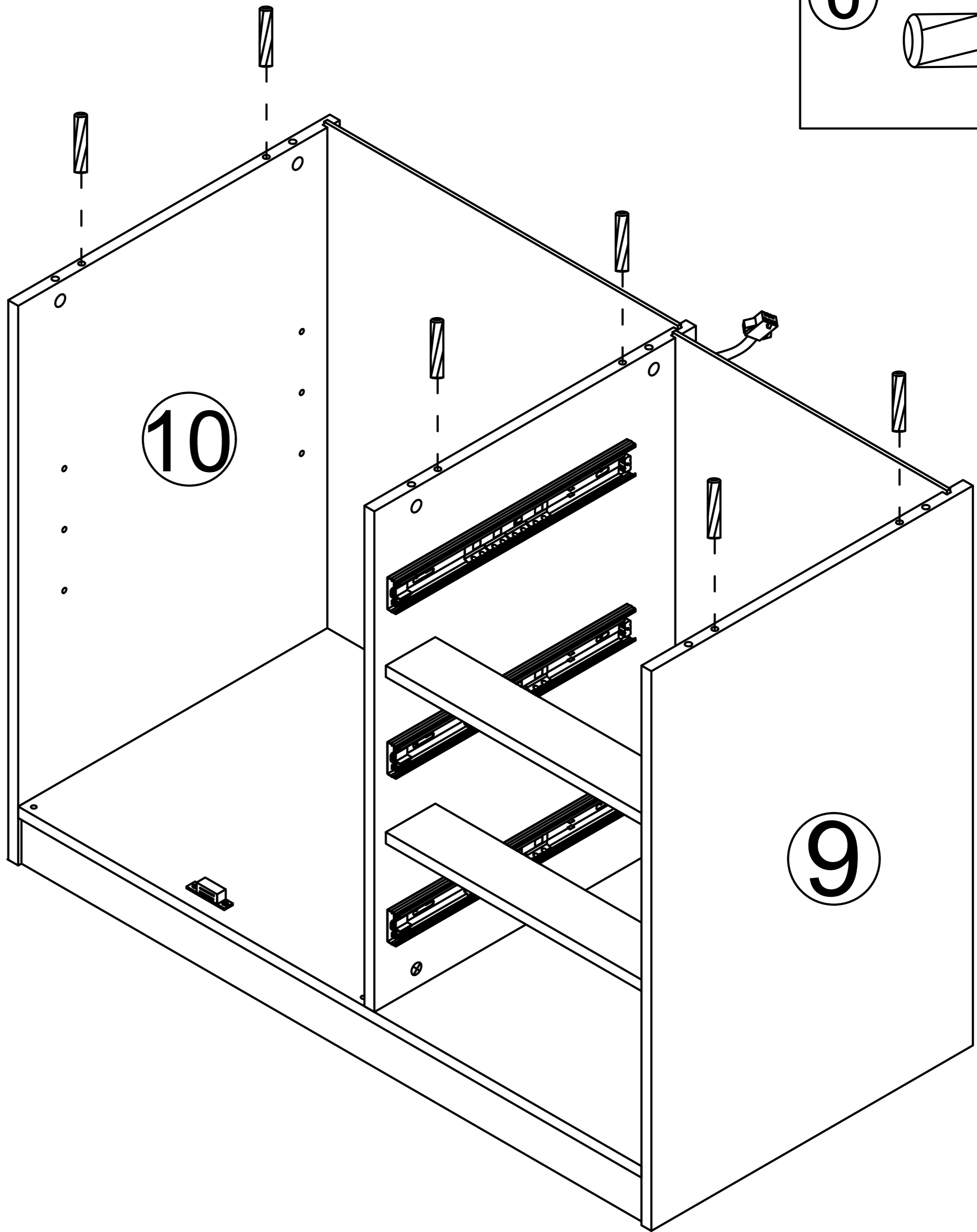
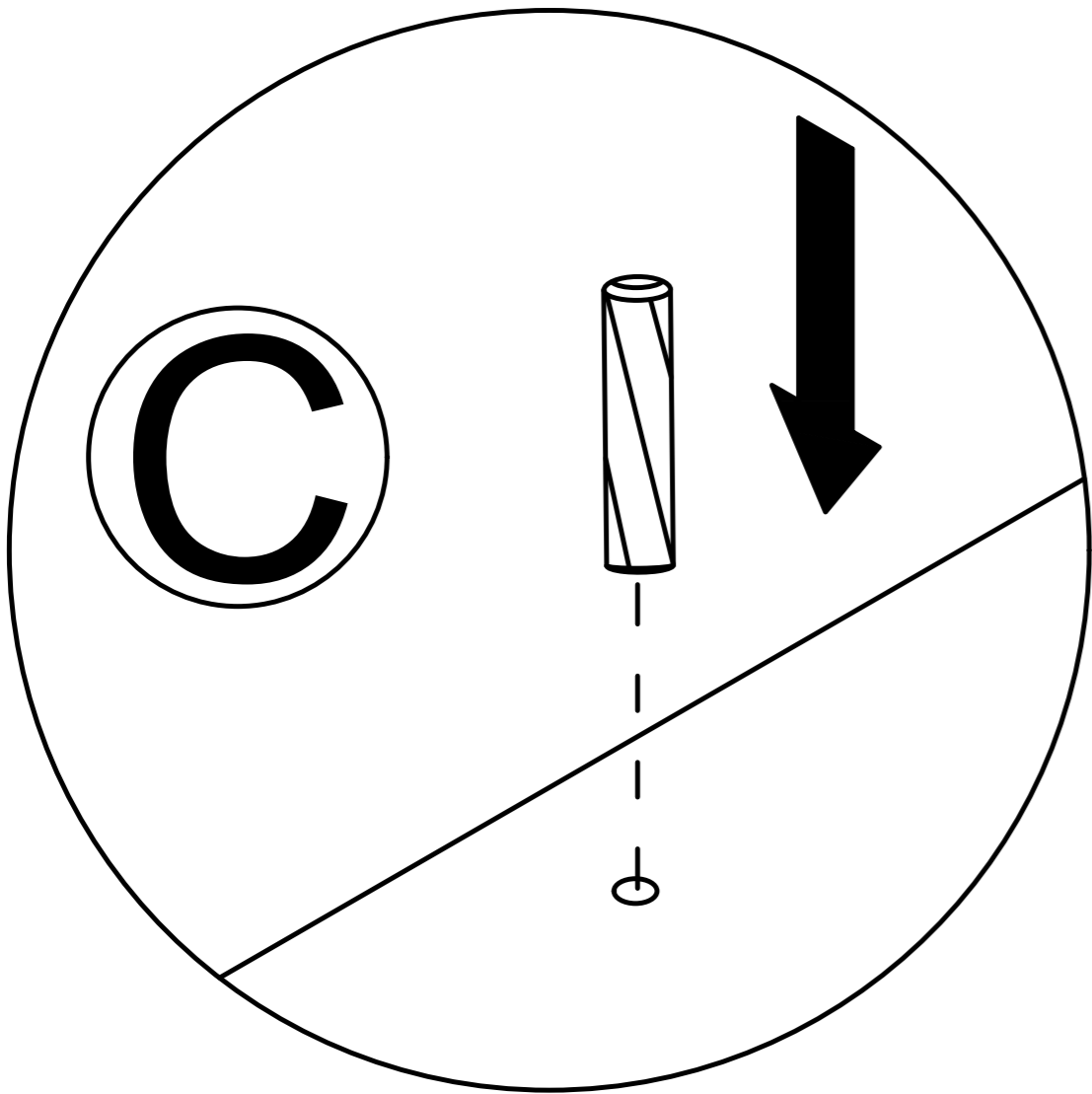
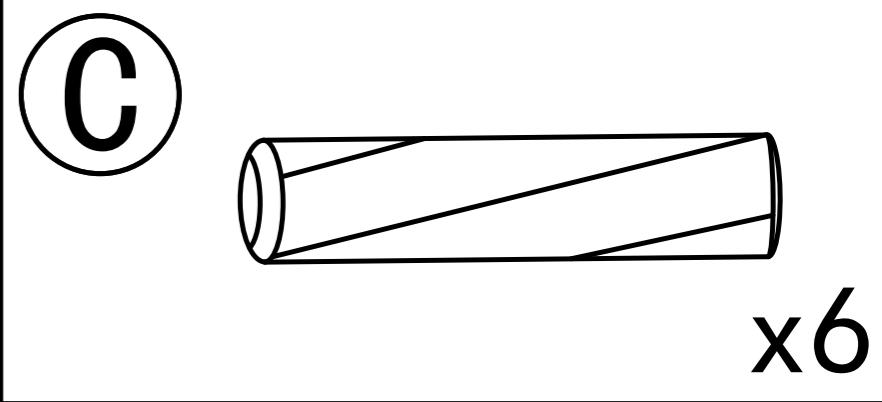
Step 21



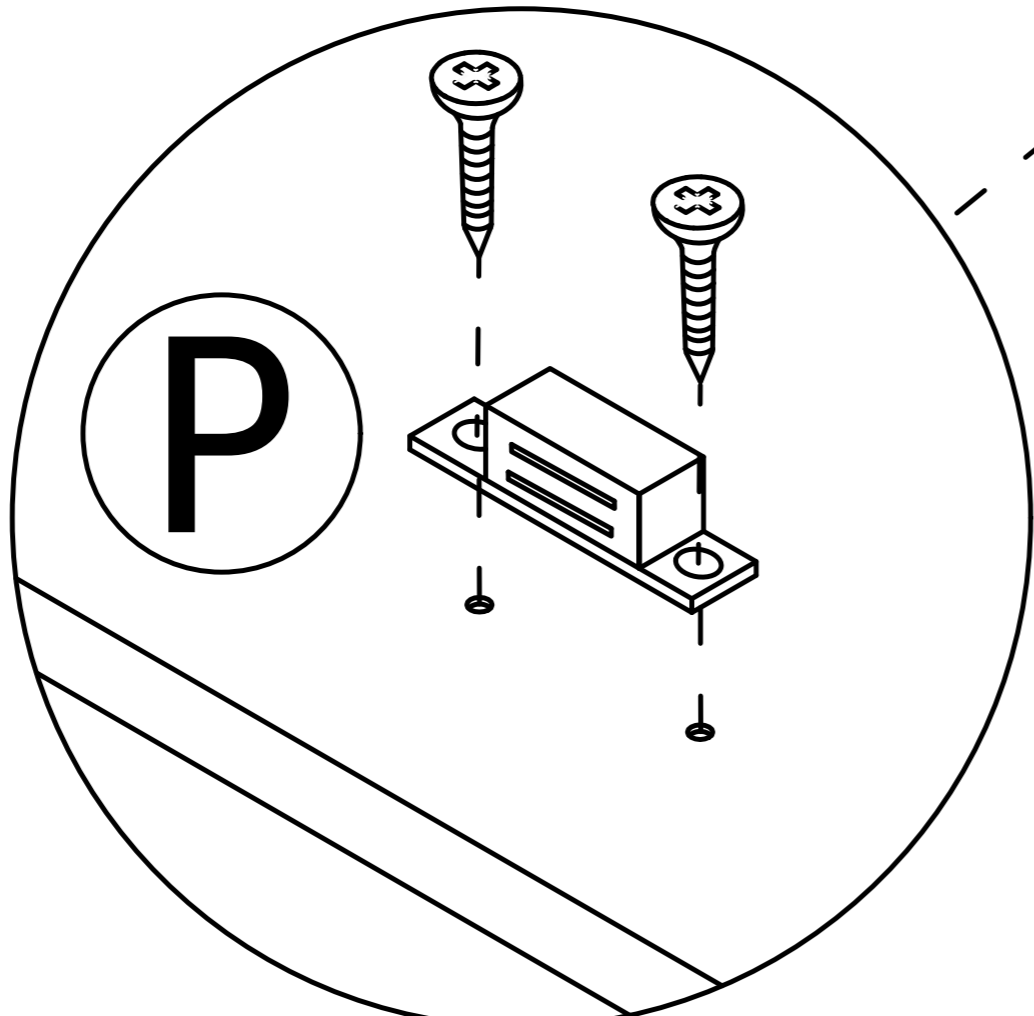
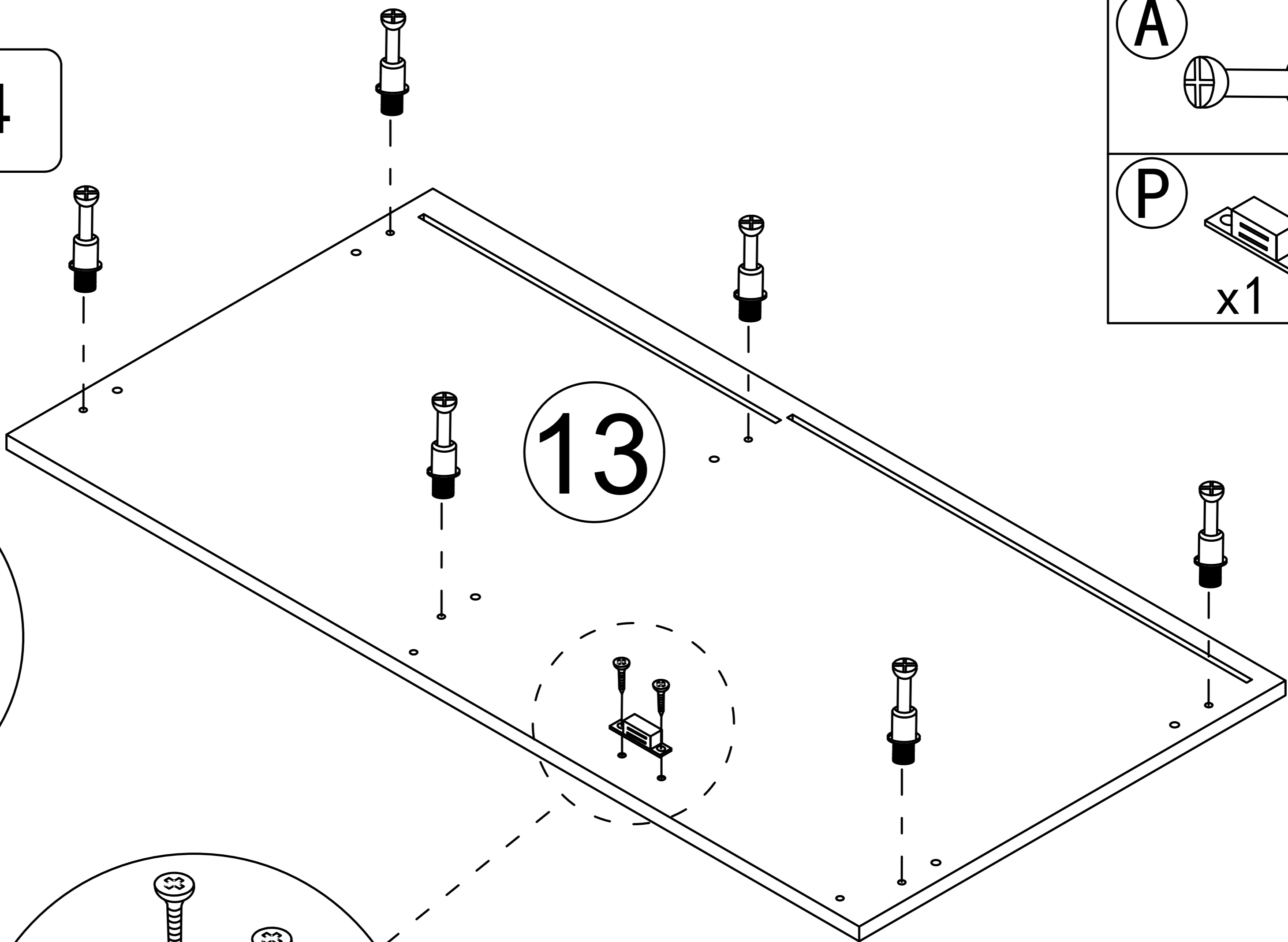
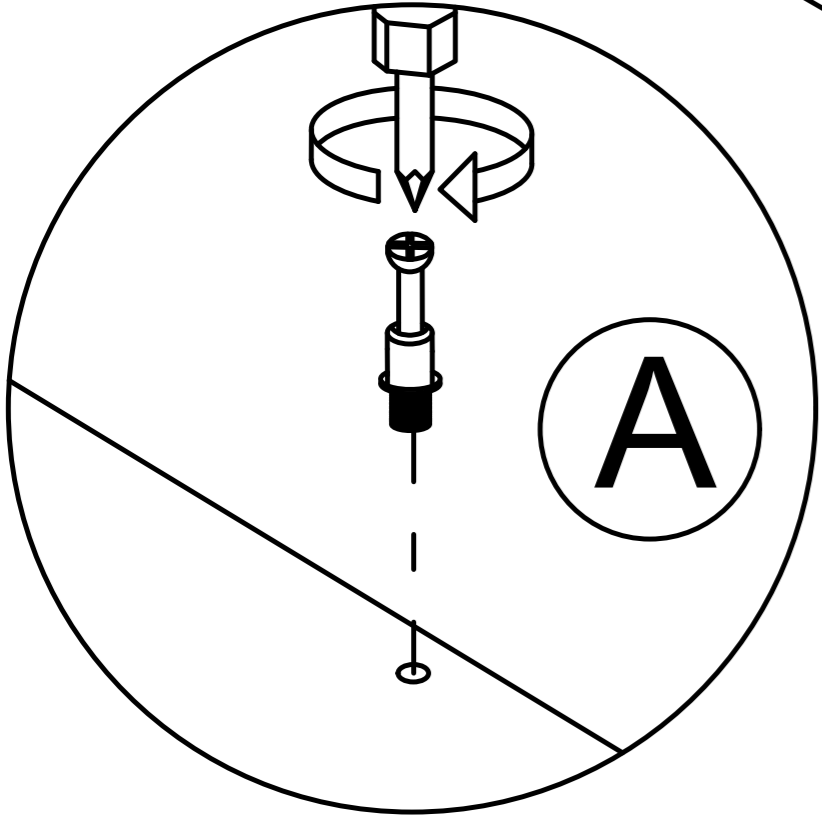
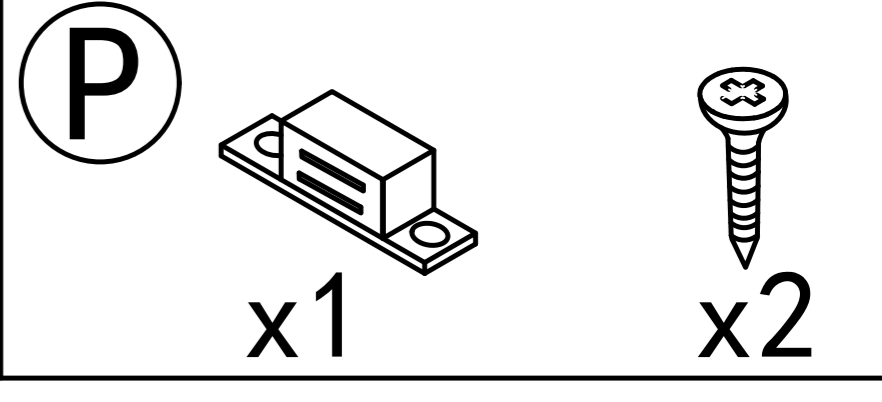
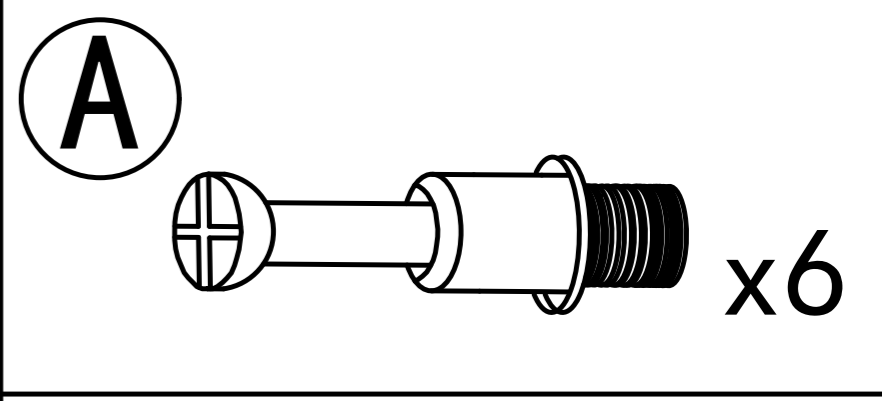
Step 22



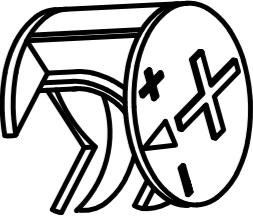
Step 23

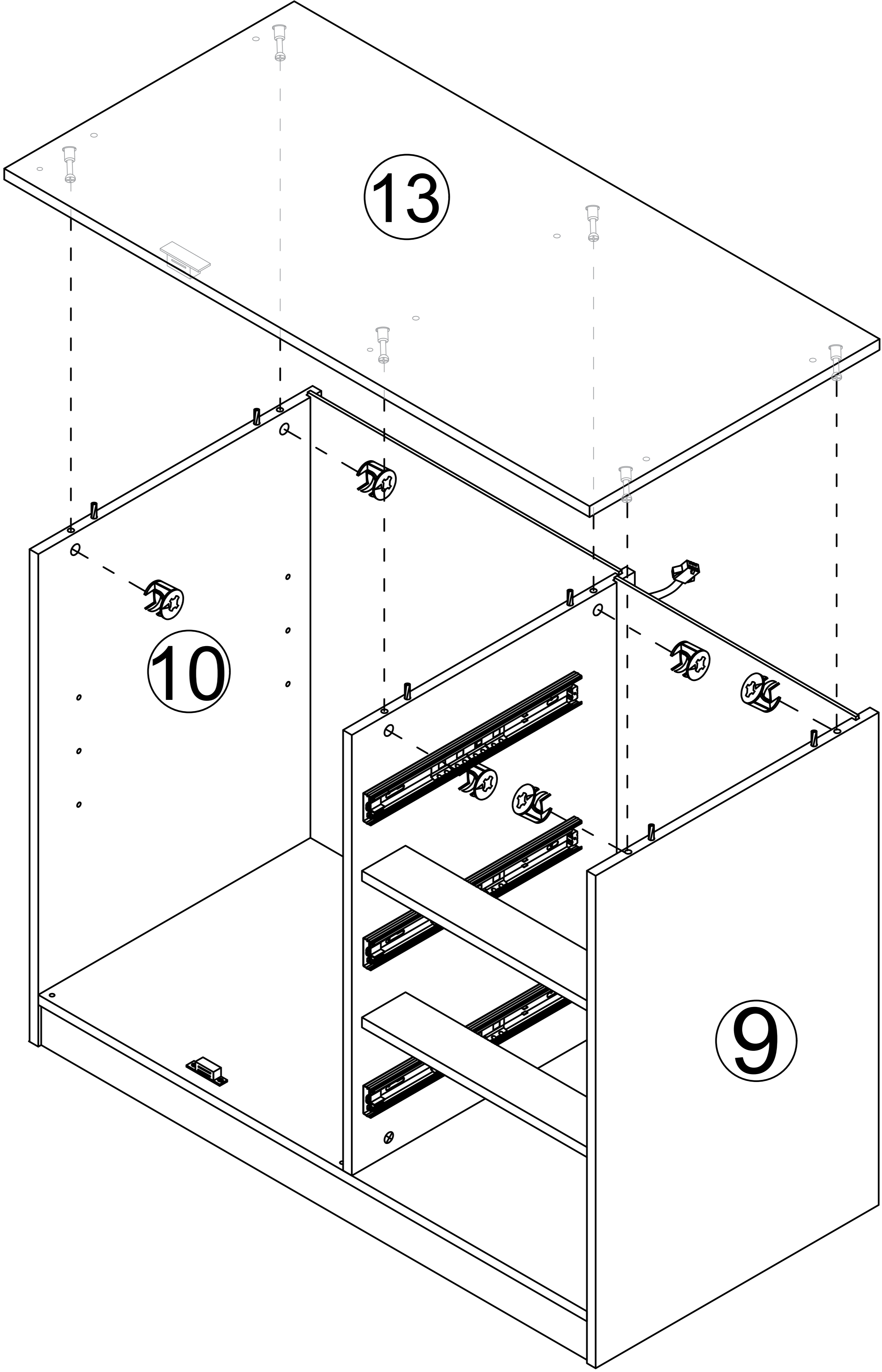
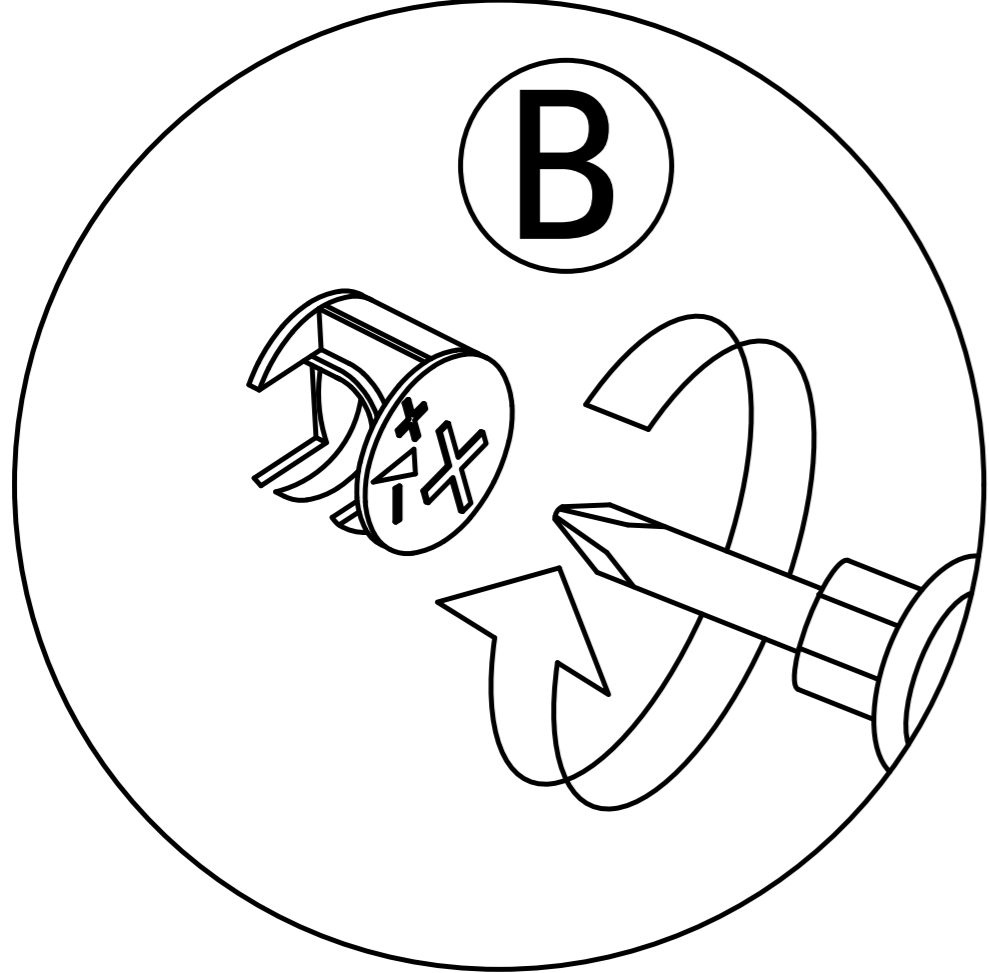


Step 24



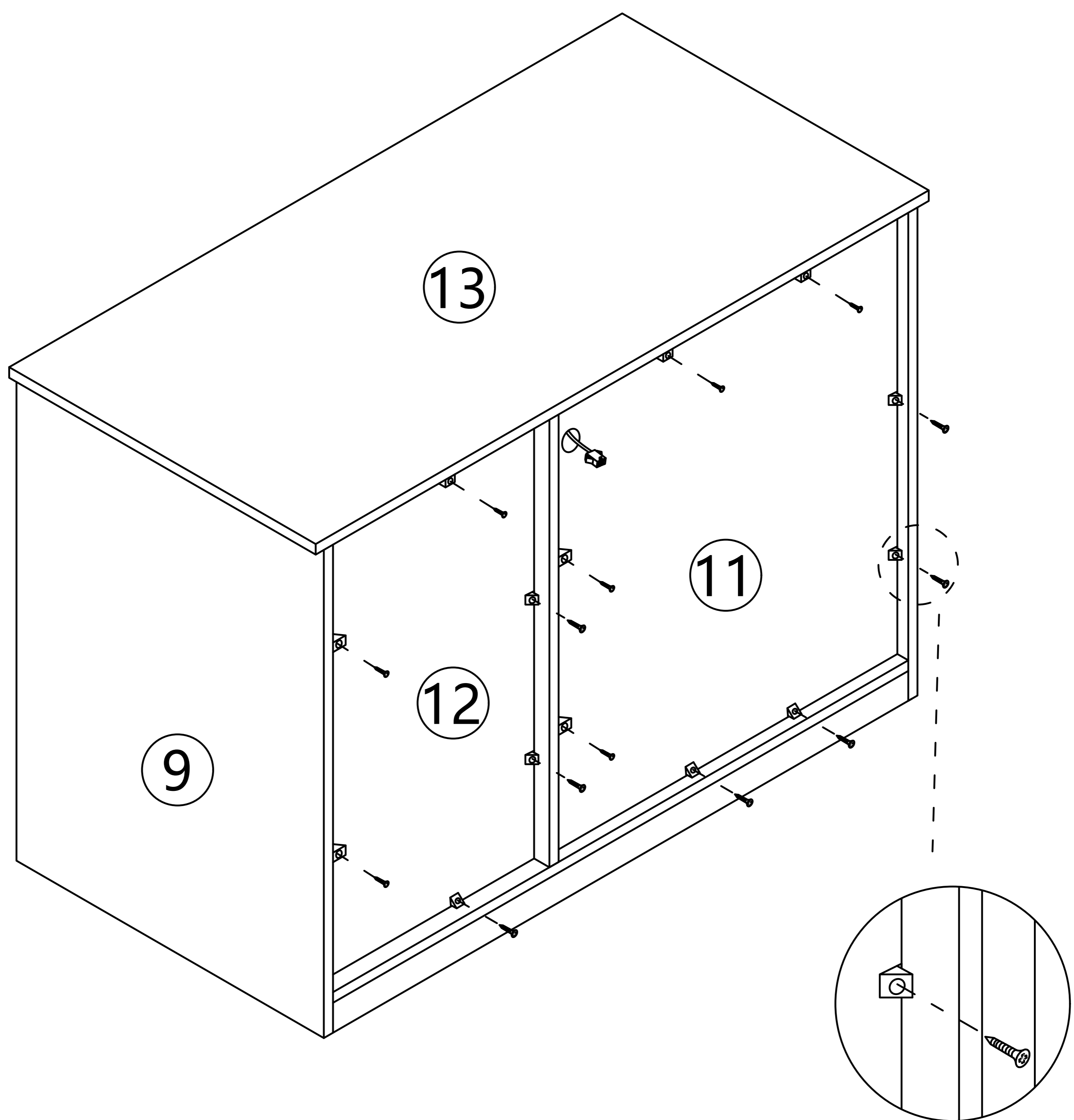
Step 25

**B**  x6



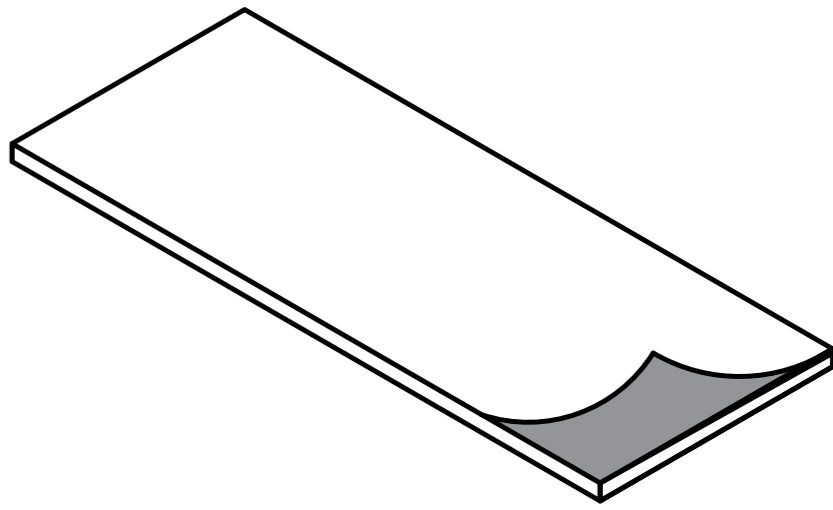
# Step 26

**J**  
x14 x14



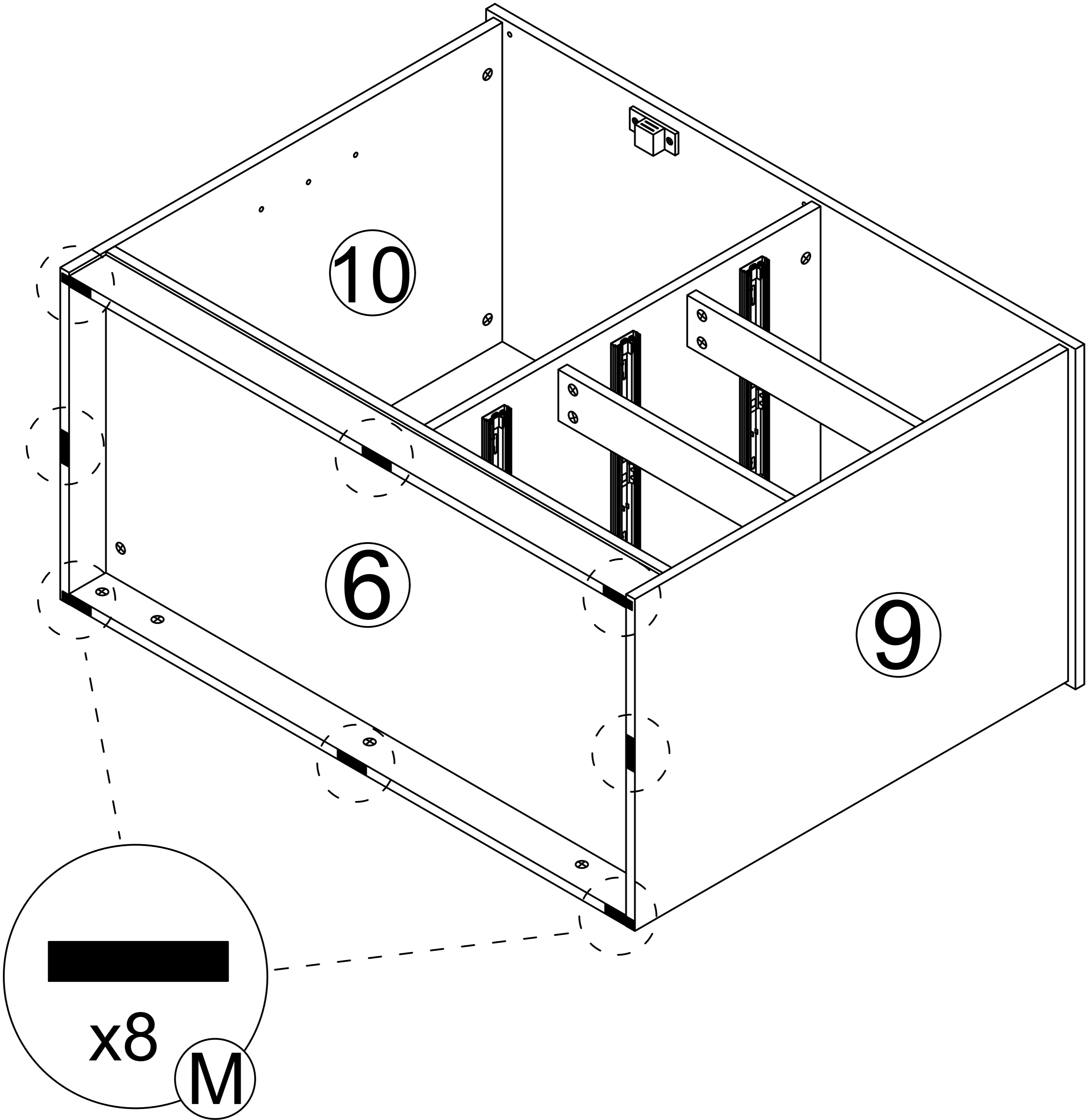
Step 27

M

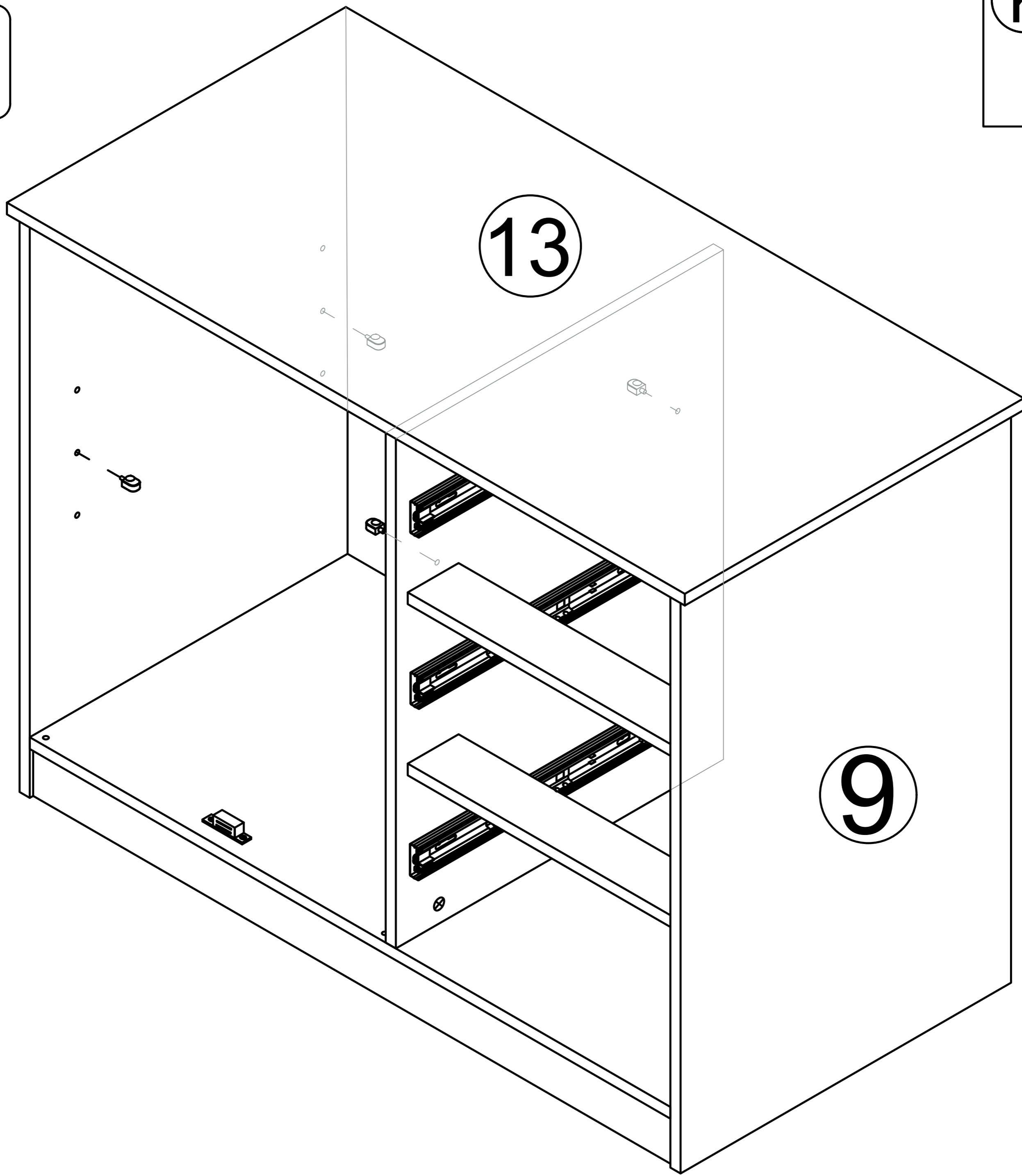
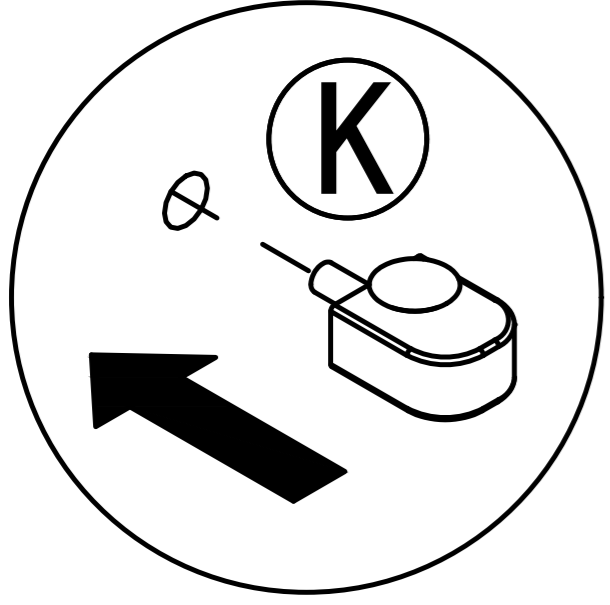
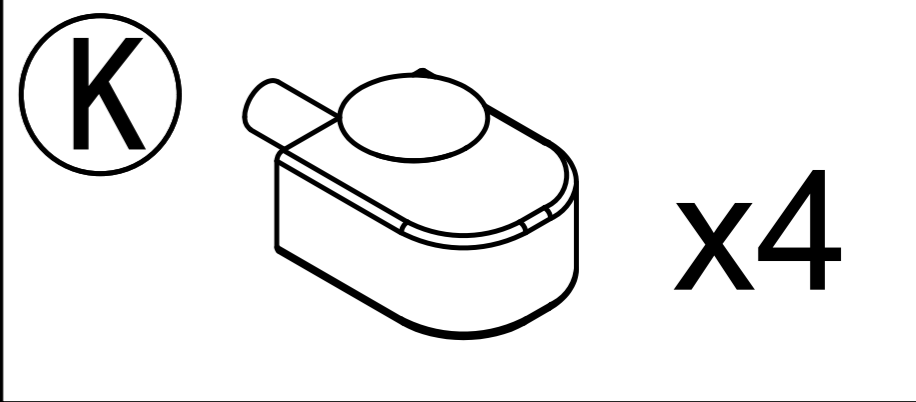


x8

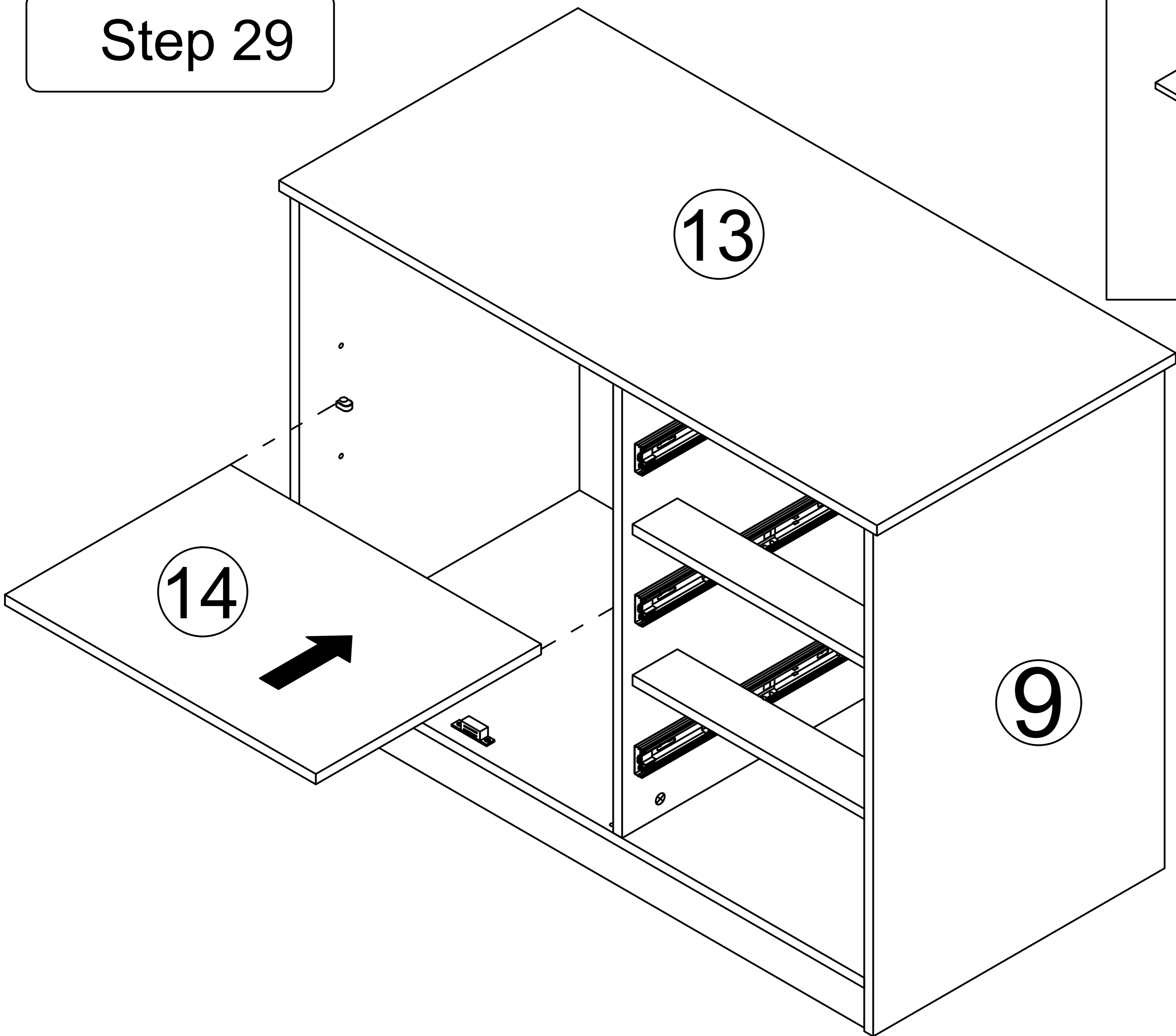
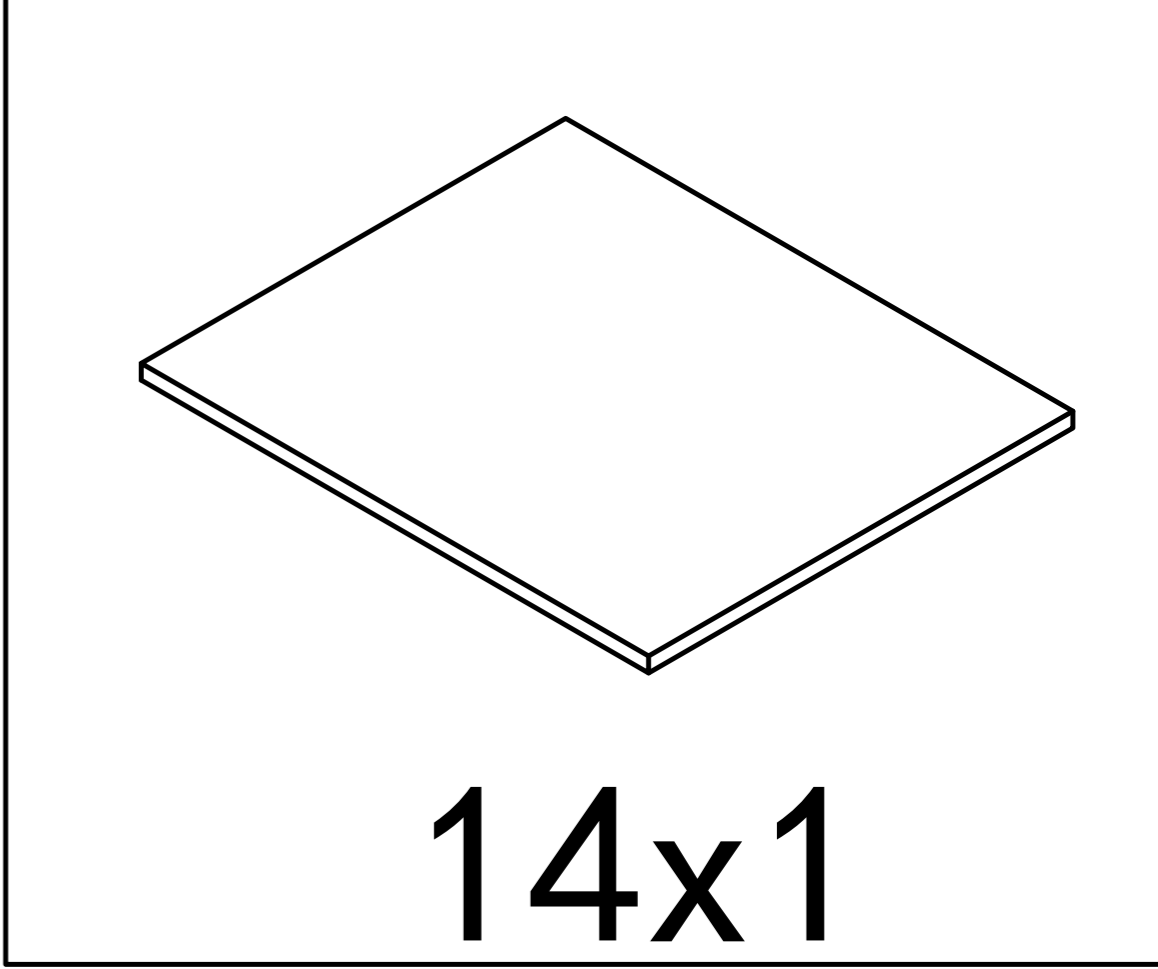
Tear off release paper and stick the black foot pad on the board



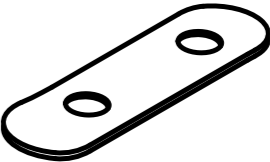
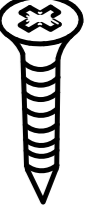
Step 28

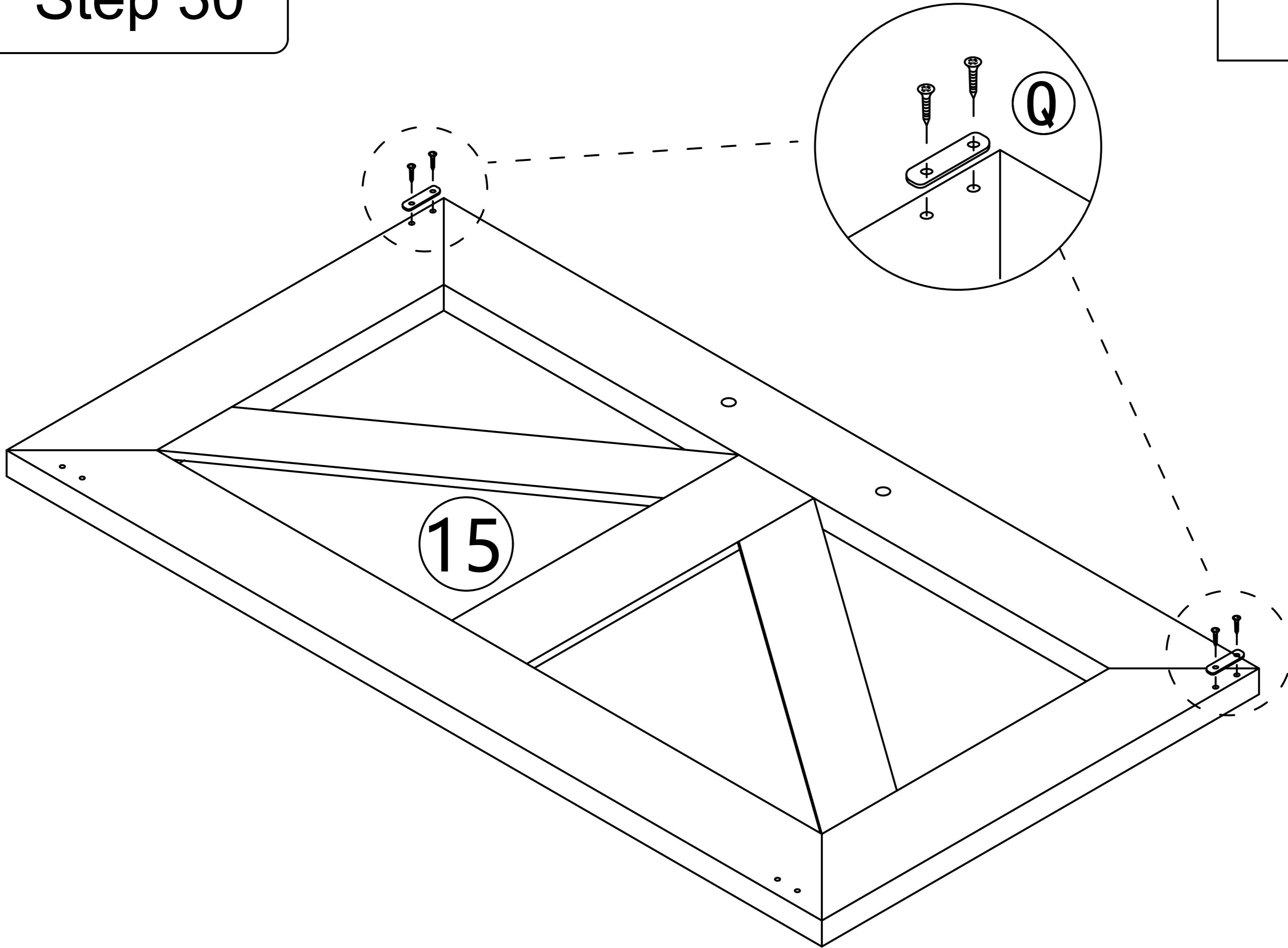


Step 29





Step 30

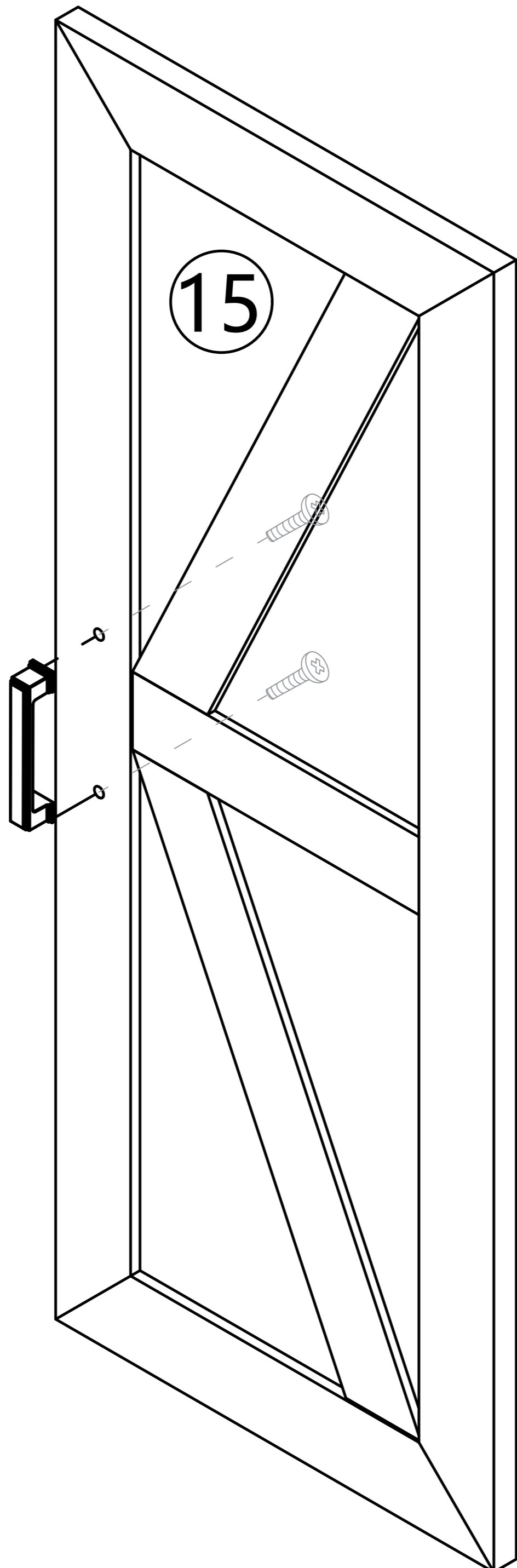
Q  x4  x8



x2

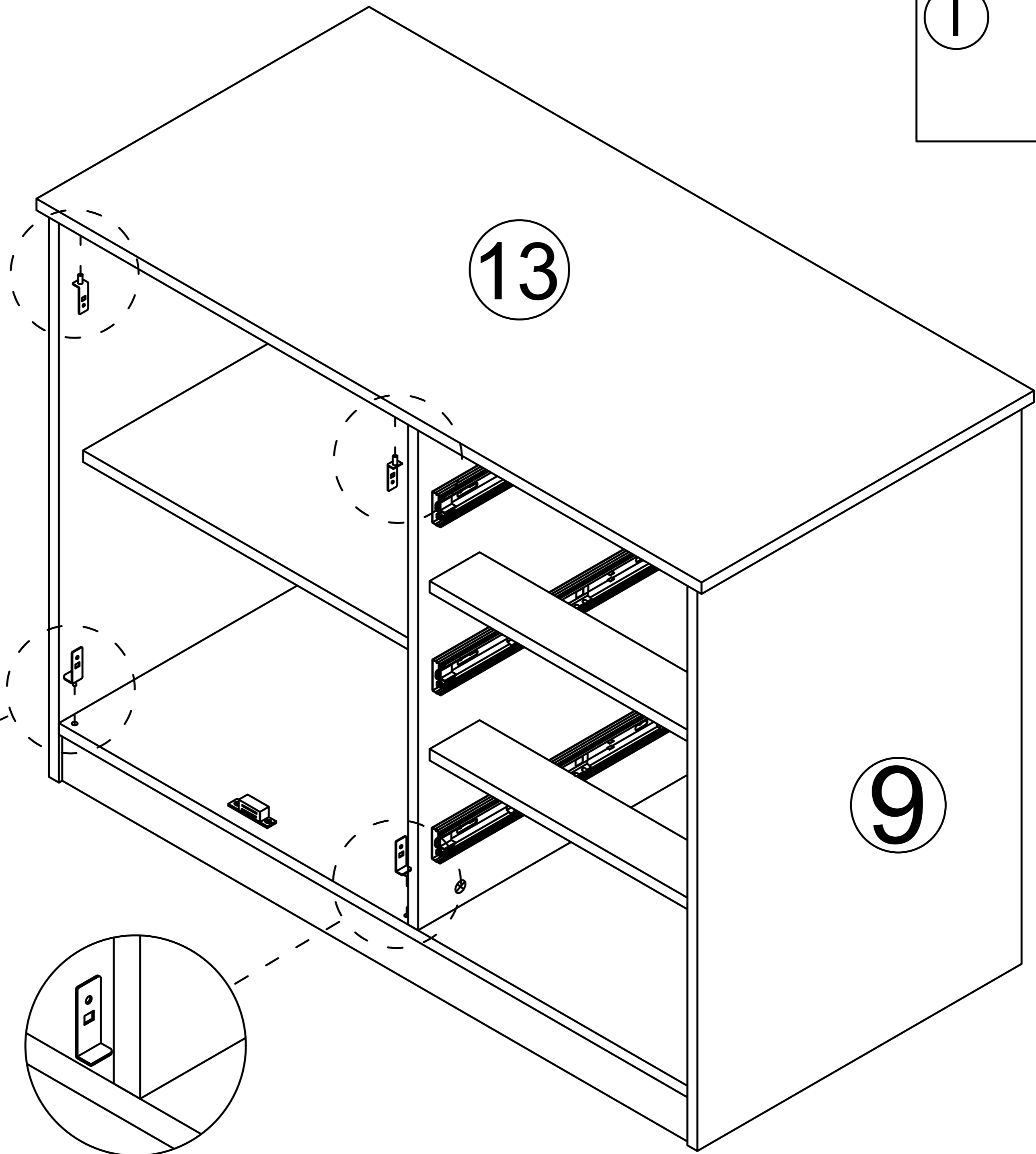
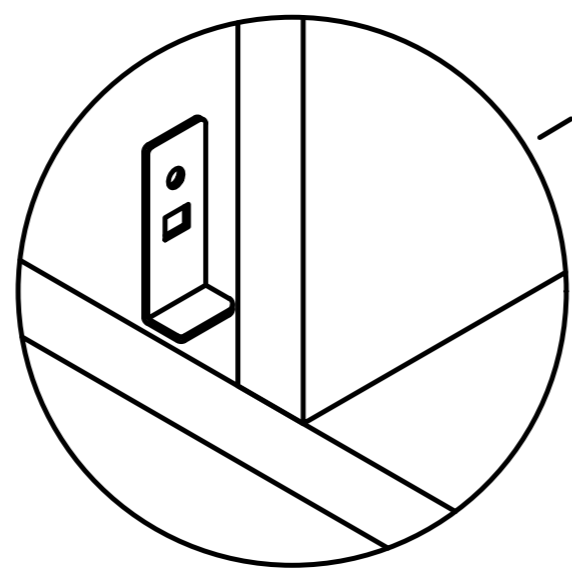
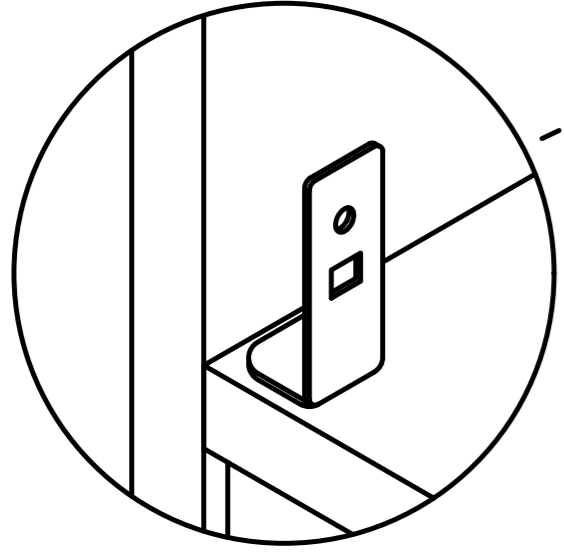
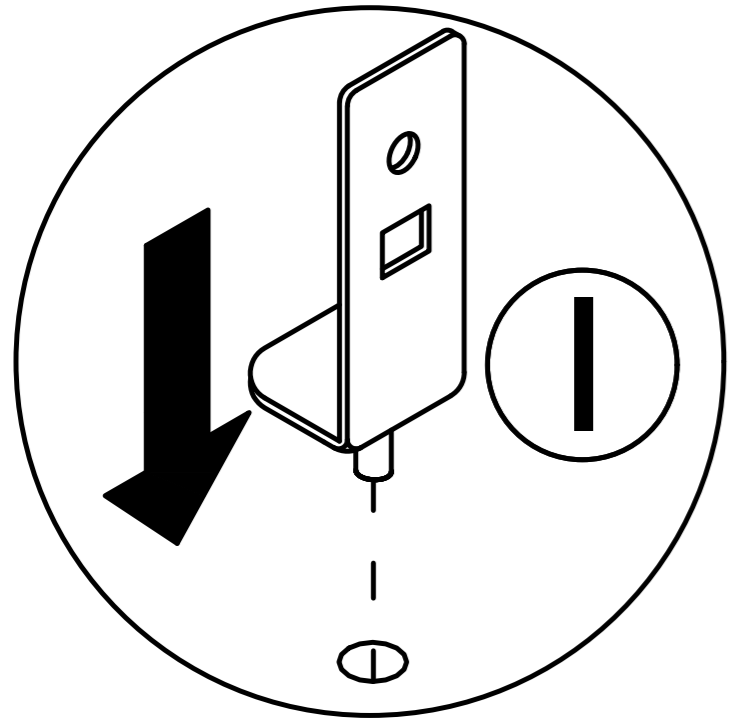
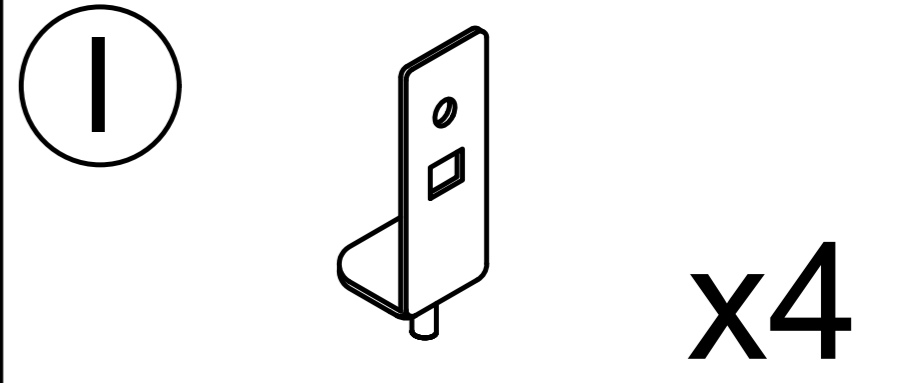
Step 31

E  x2  x4

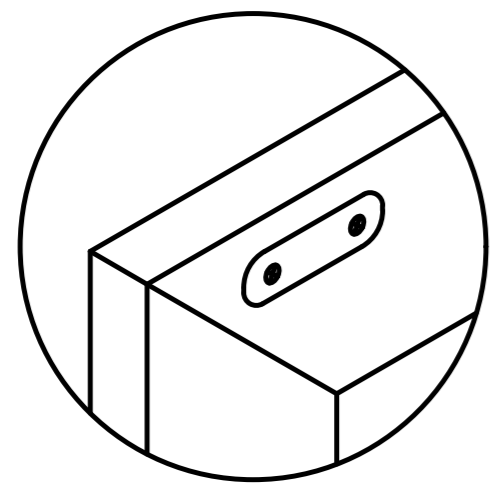
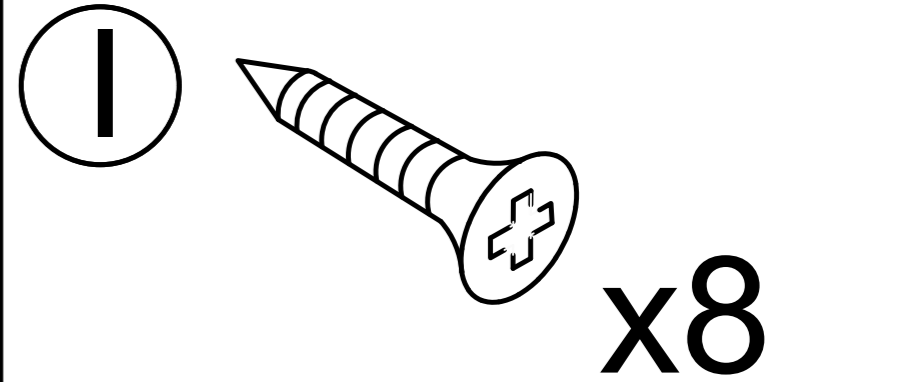


x2

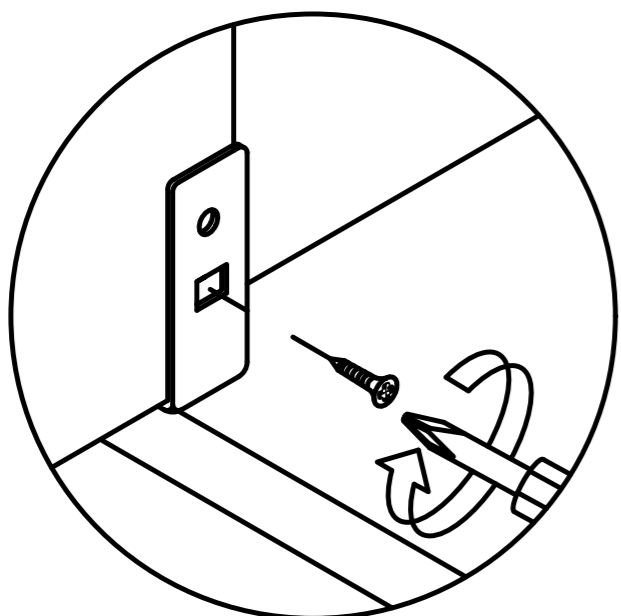
# Step 32



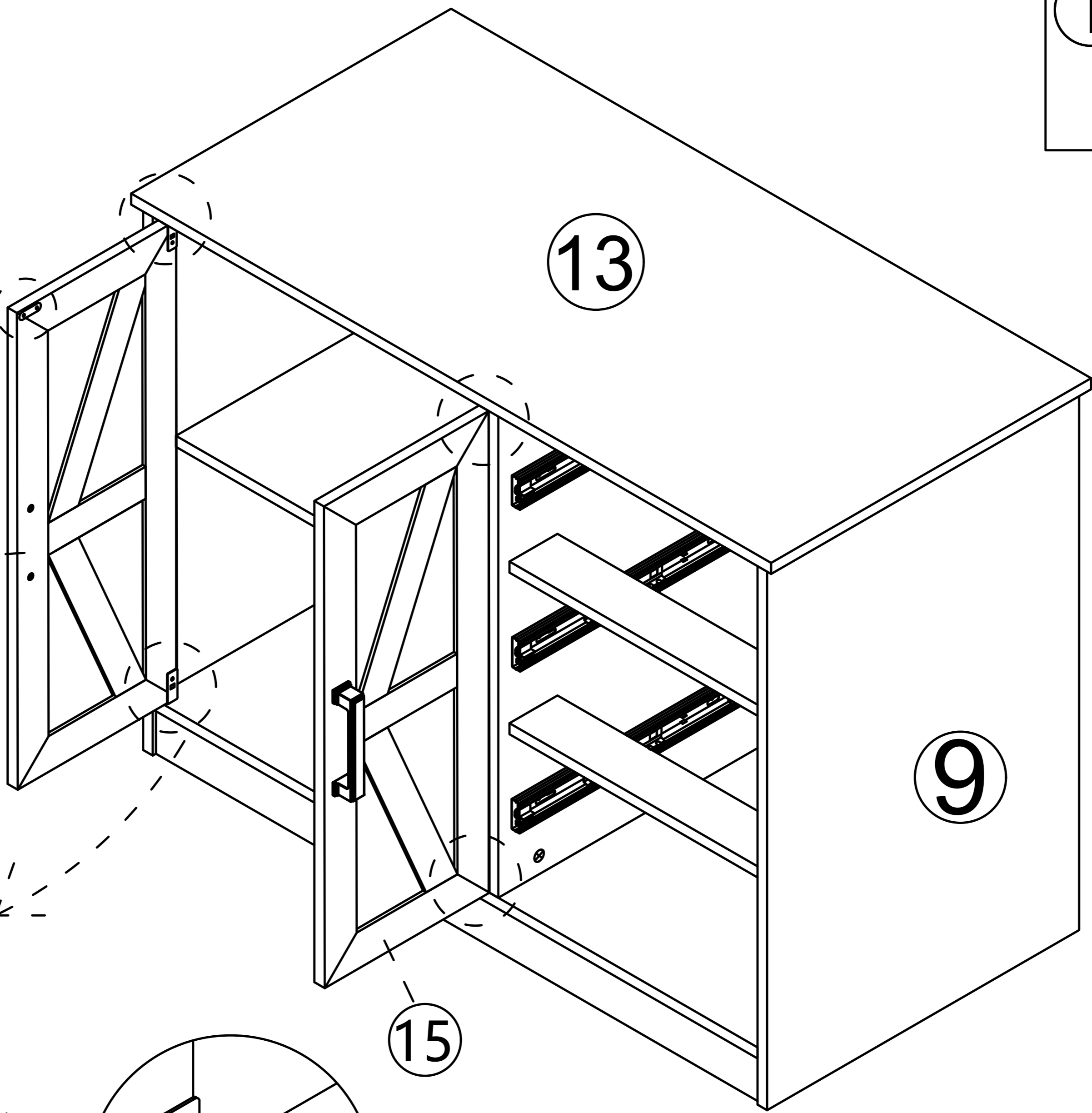
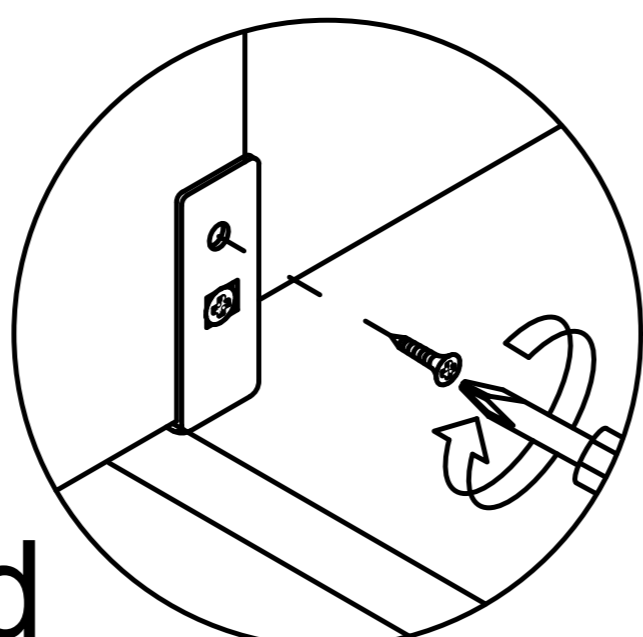
# Step 33



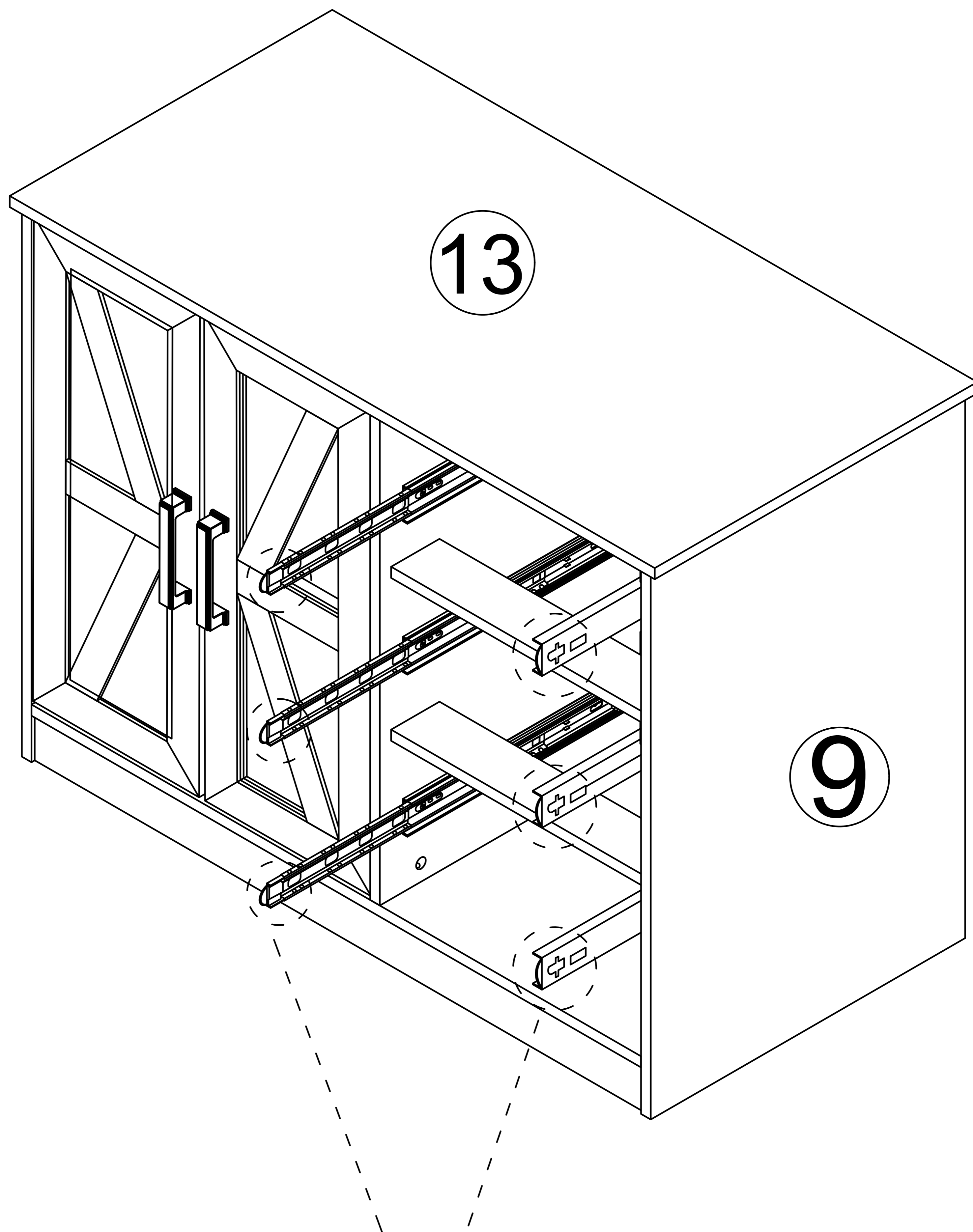
First



Second

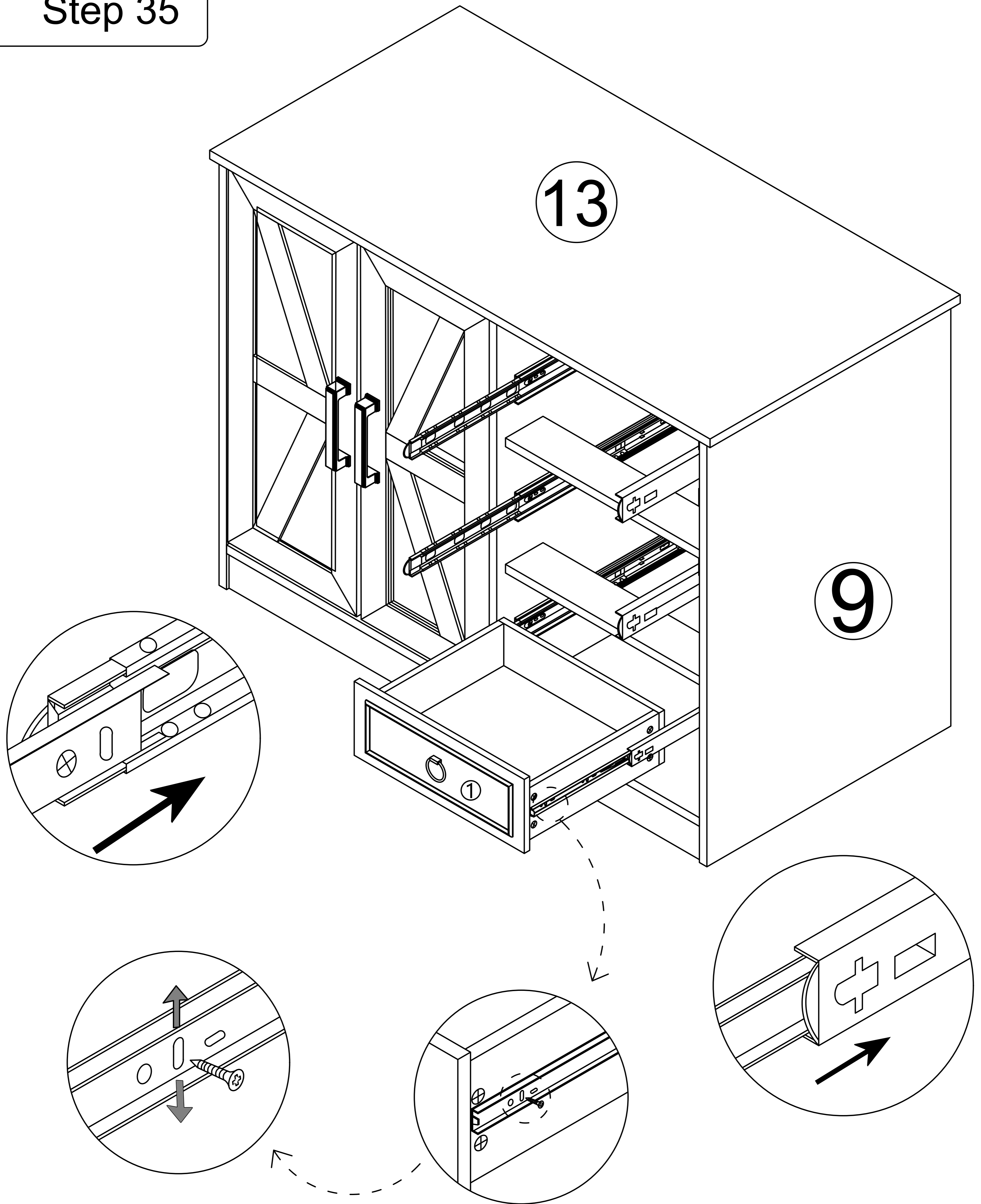


# Step 34



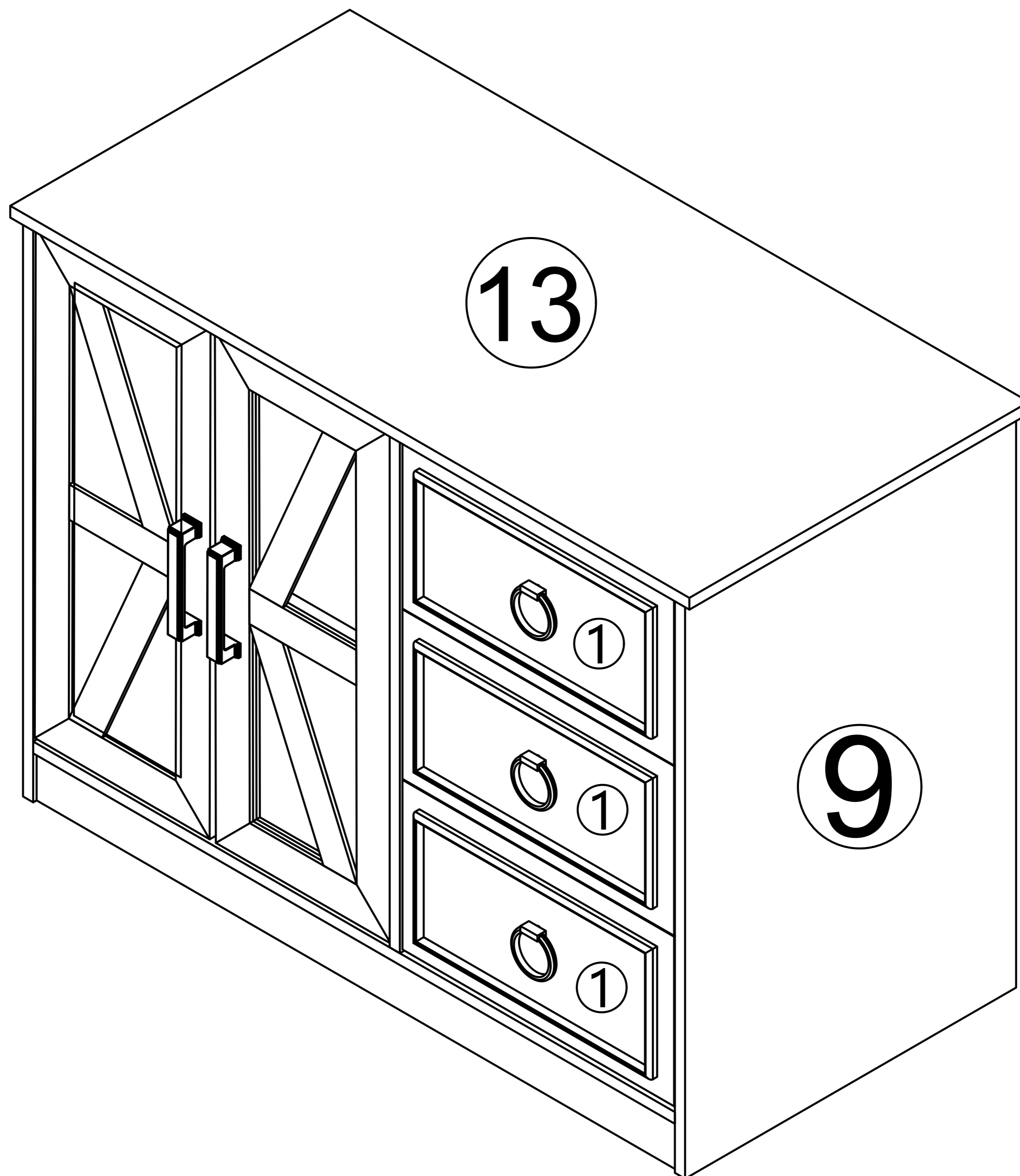
As shown, When installing the drawer, pull the guide rail out first, Slide beads are also pulled out.

# Step 35

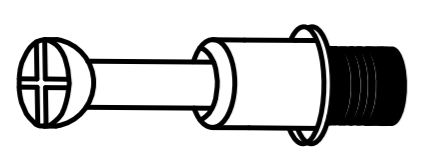








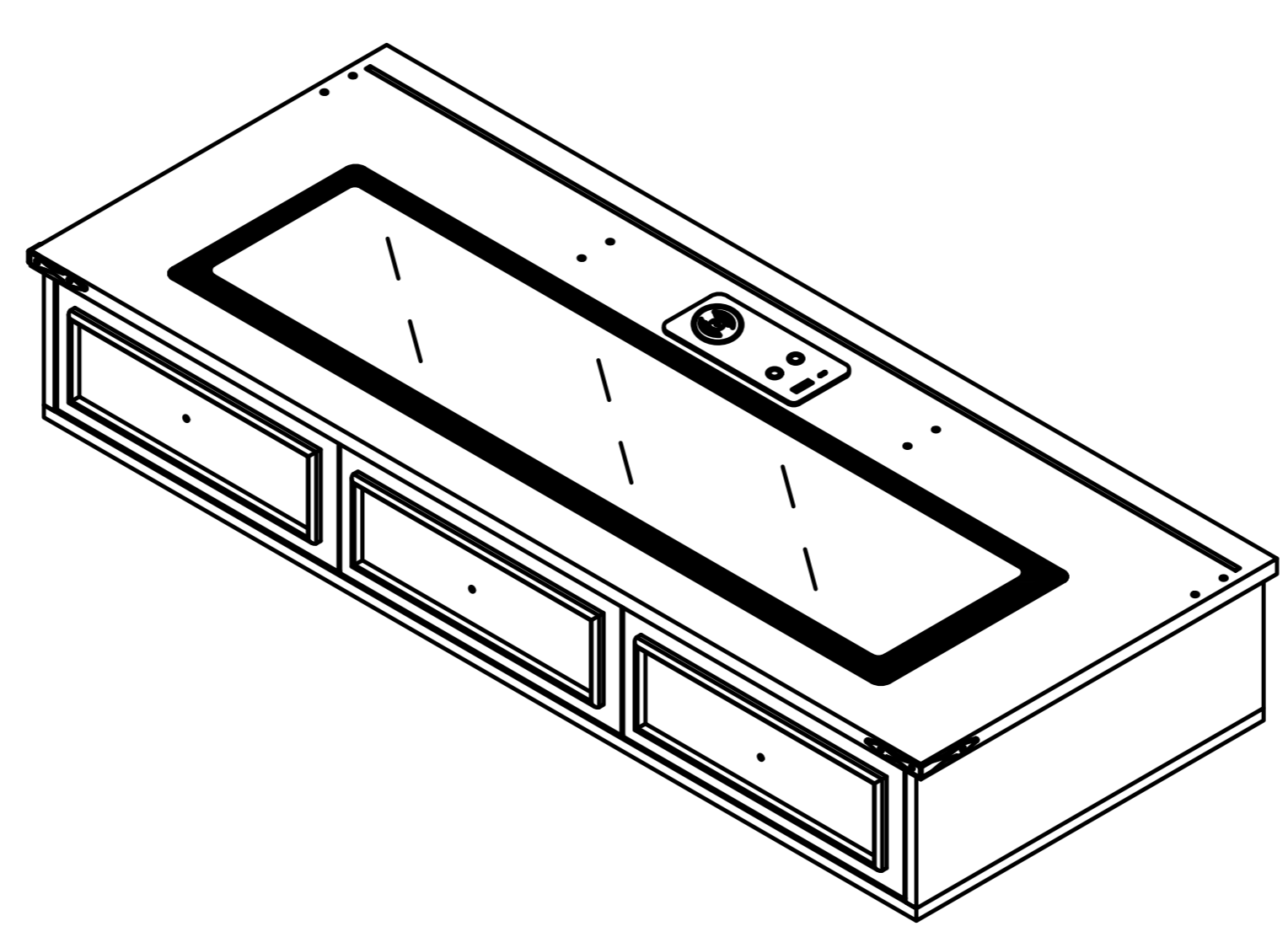
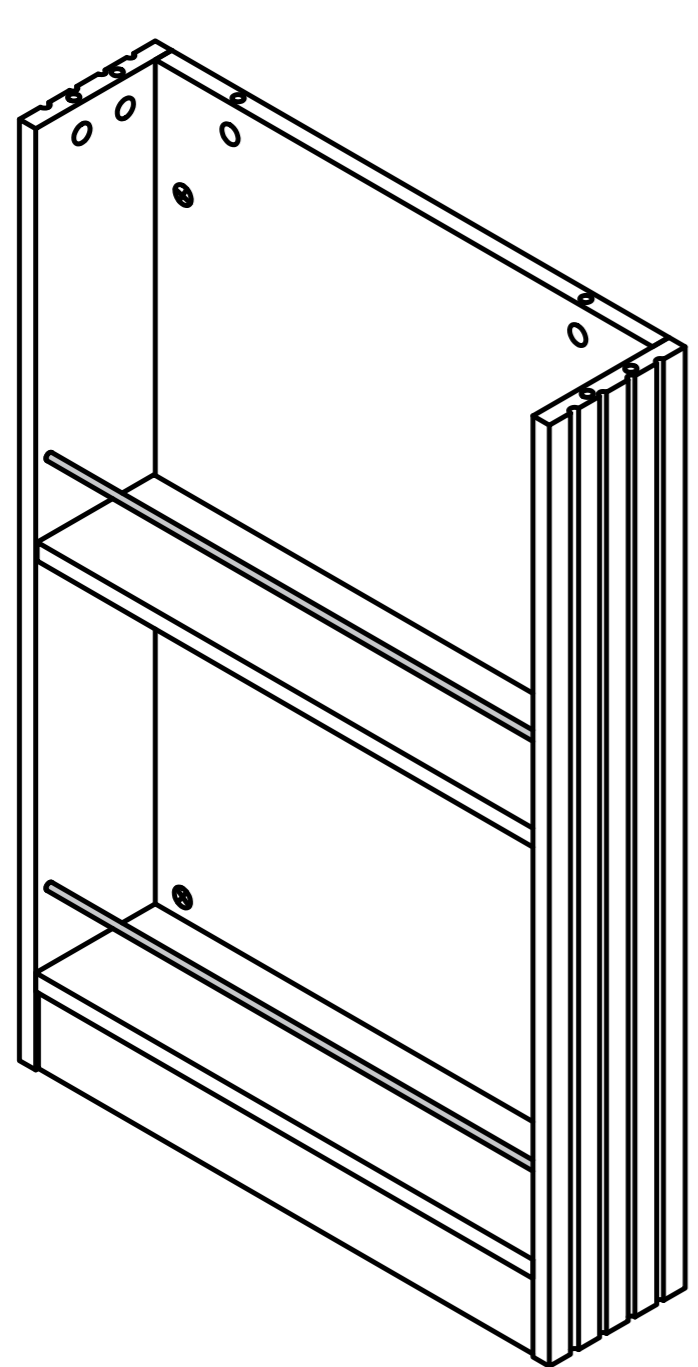
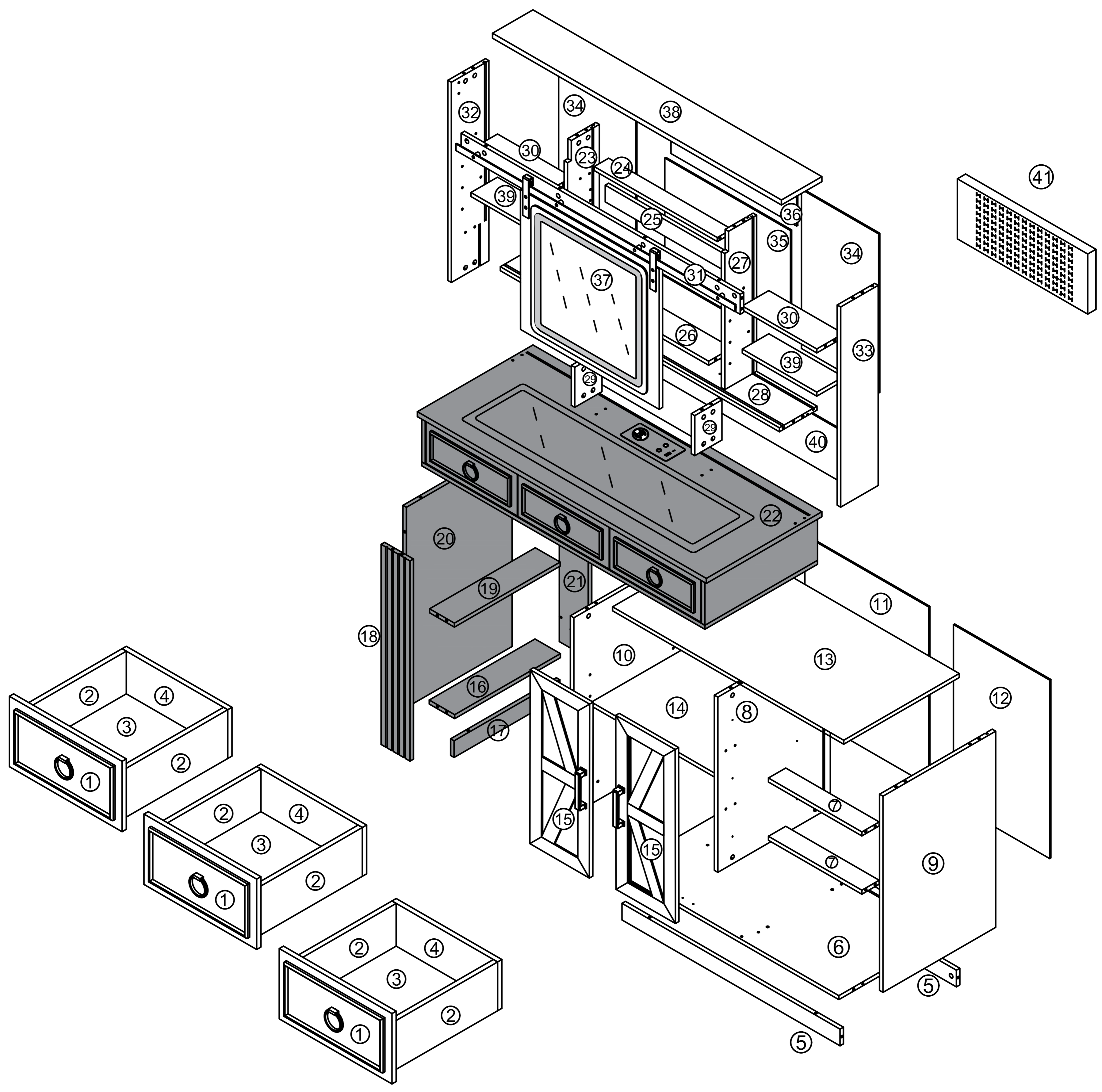
If a large gap is found after installing the drawer the slide rail can be moved up and down to adjust the gap

Step 36

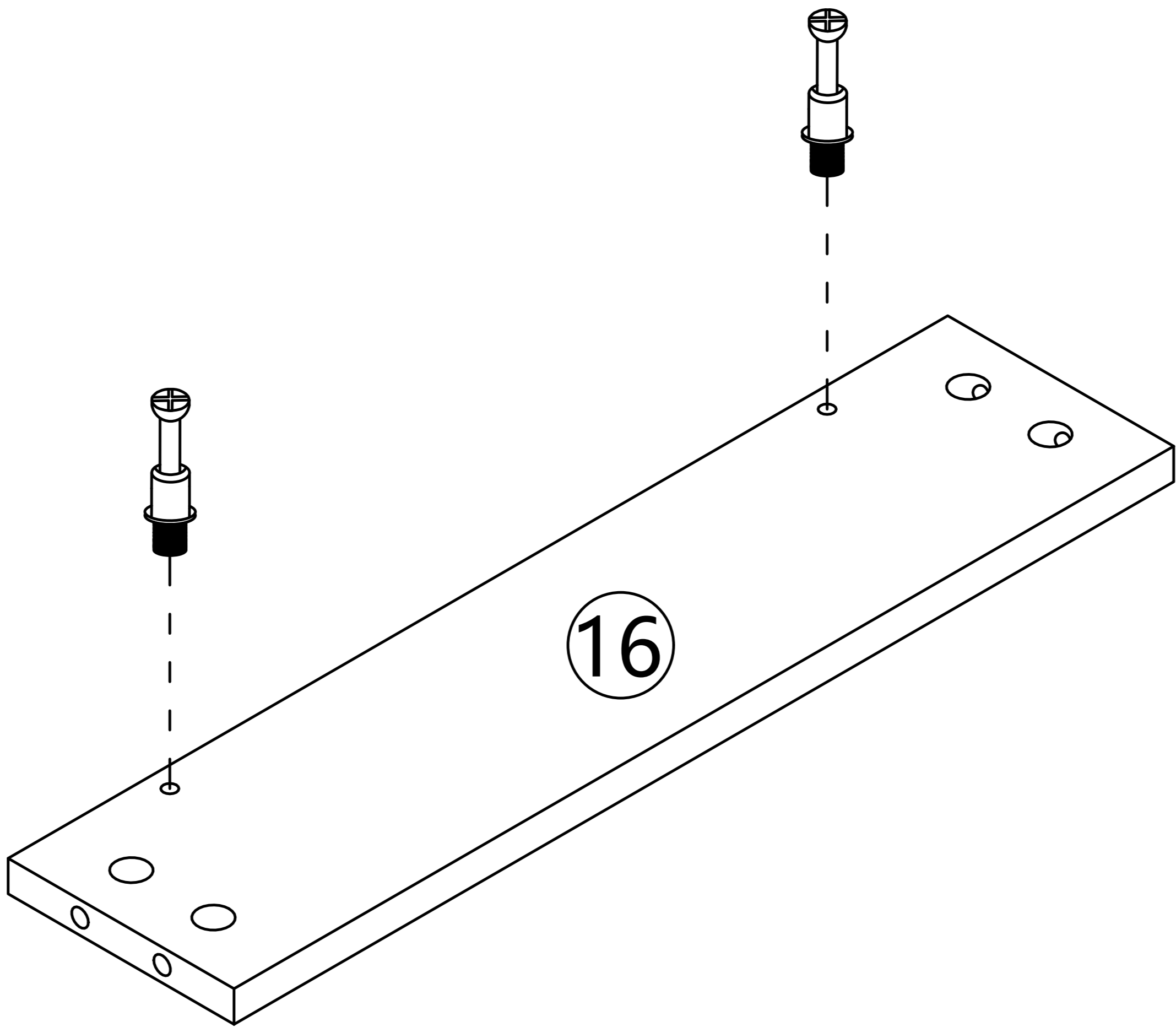
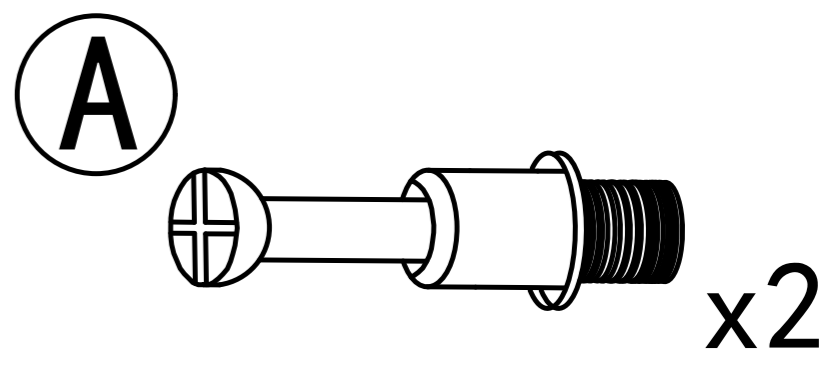


Repeat the drawer installation steps

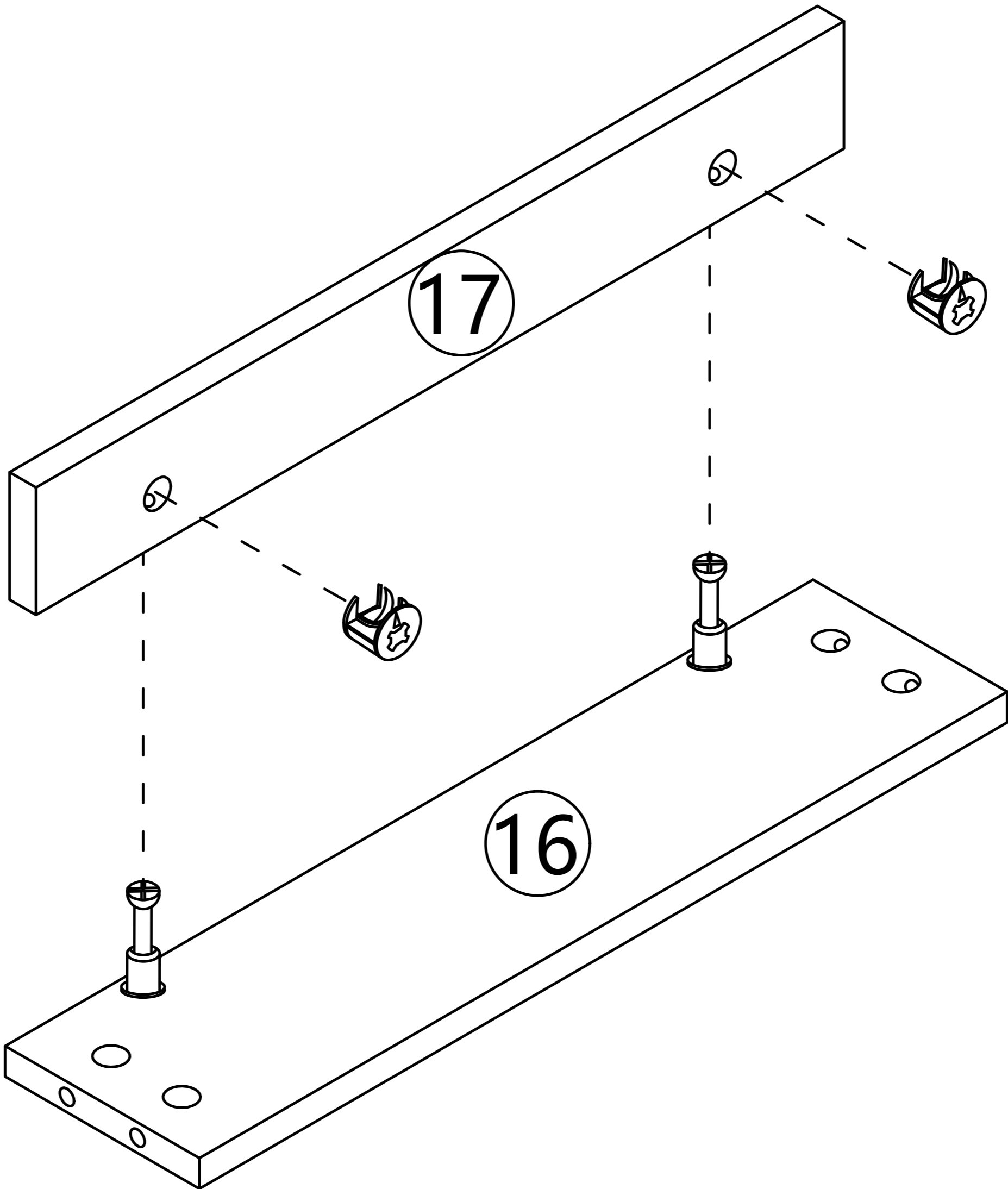
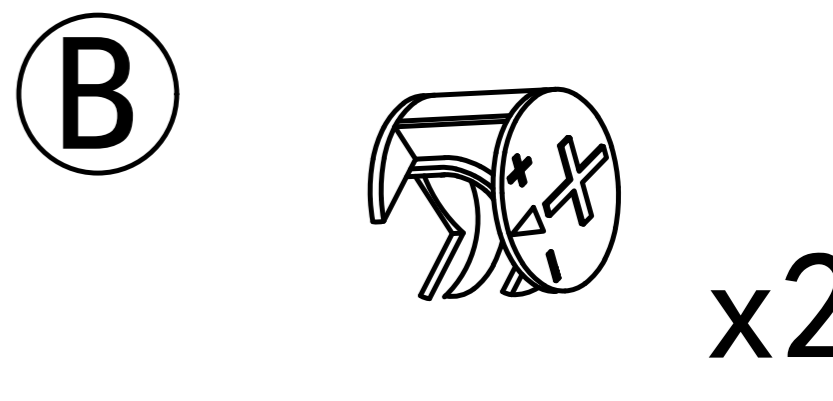
A		30pcs	B		22pcs	D			
F		2pcs	M		4pcs				



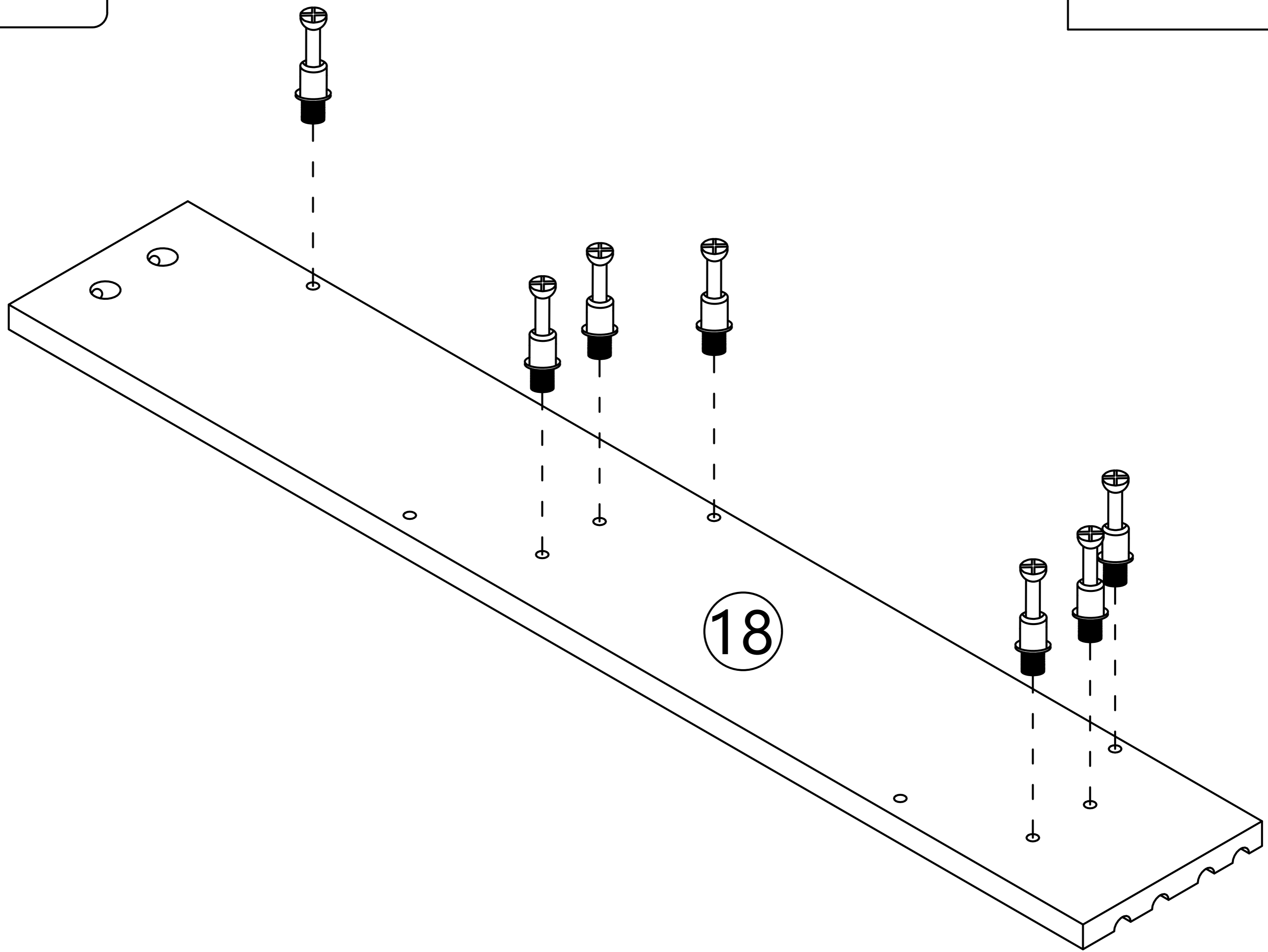
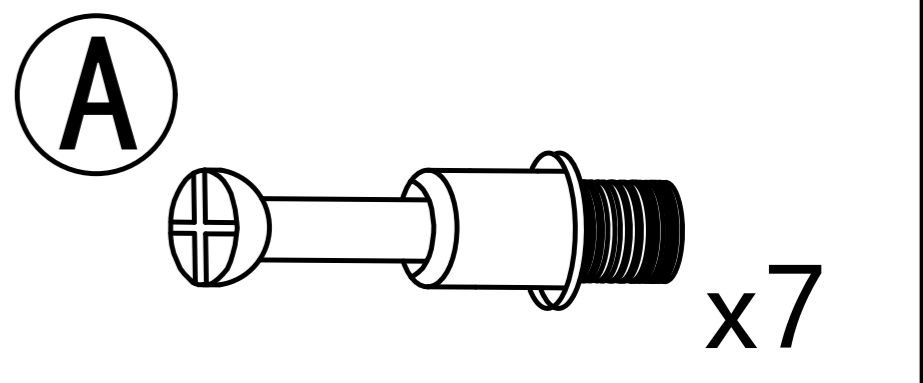
Step 37



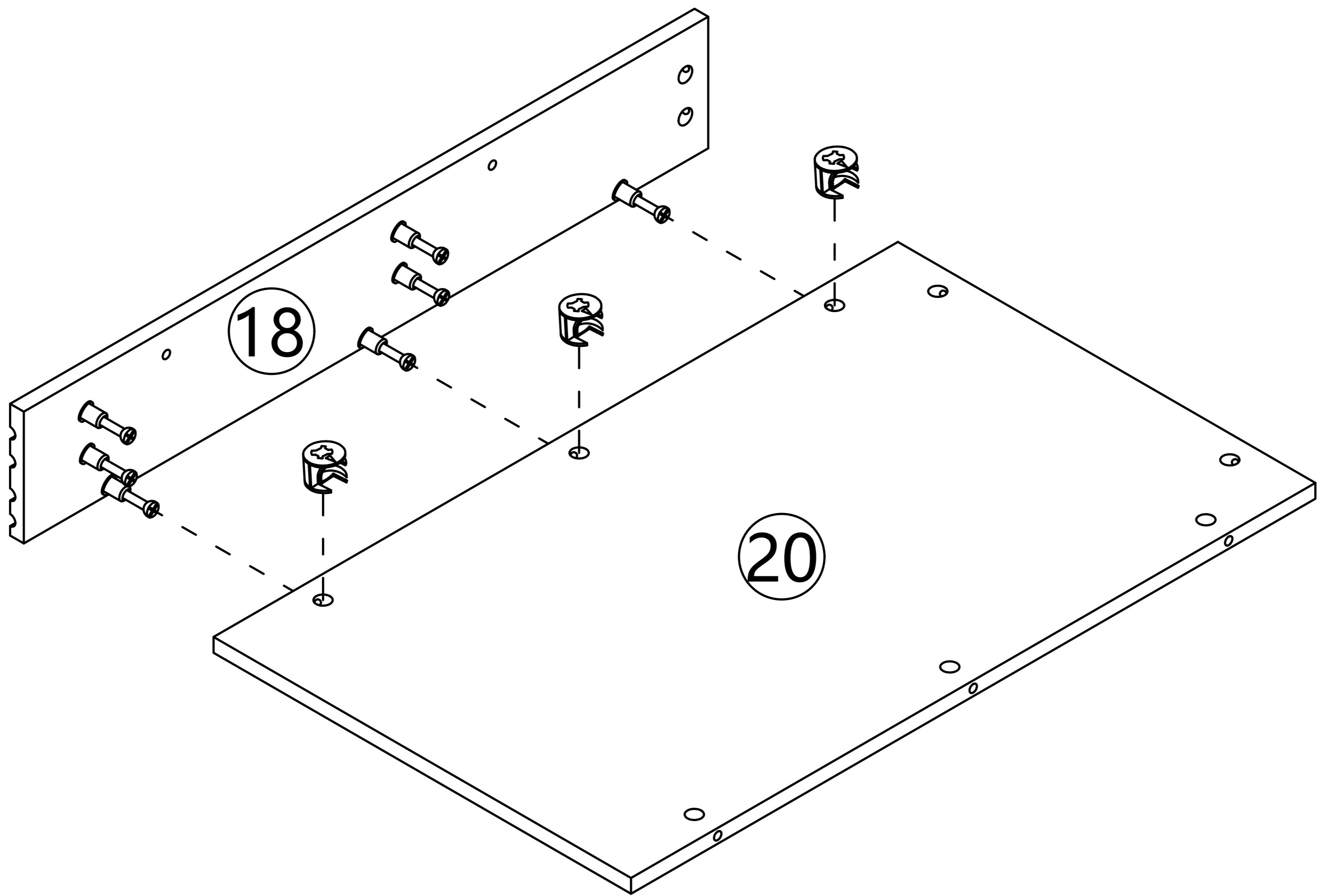
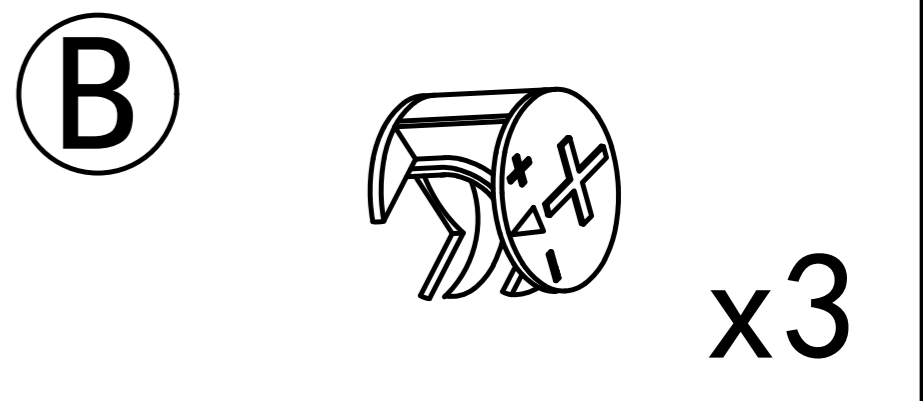
Step 38



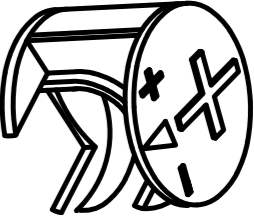
Step 39

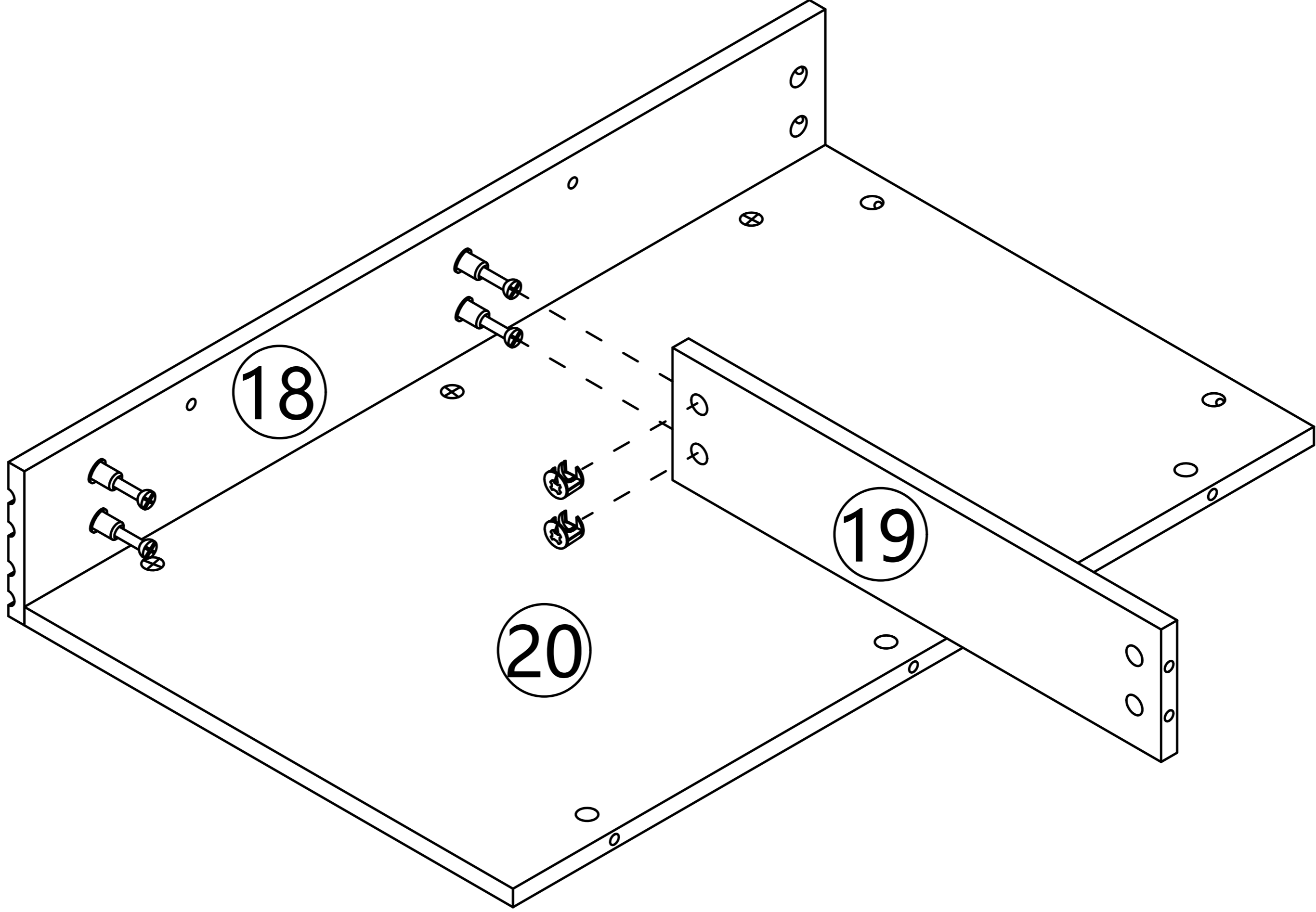


Step 40

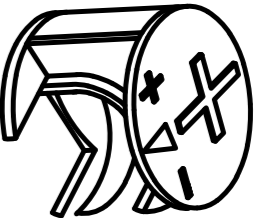


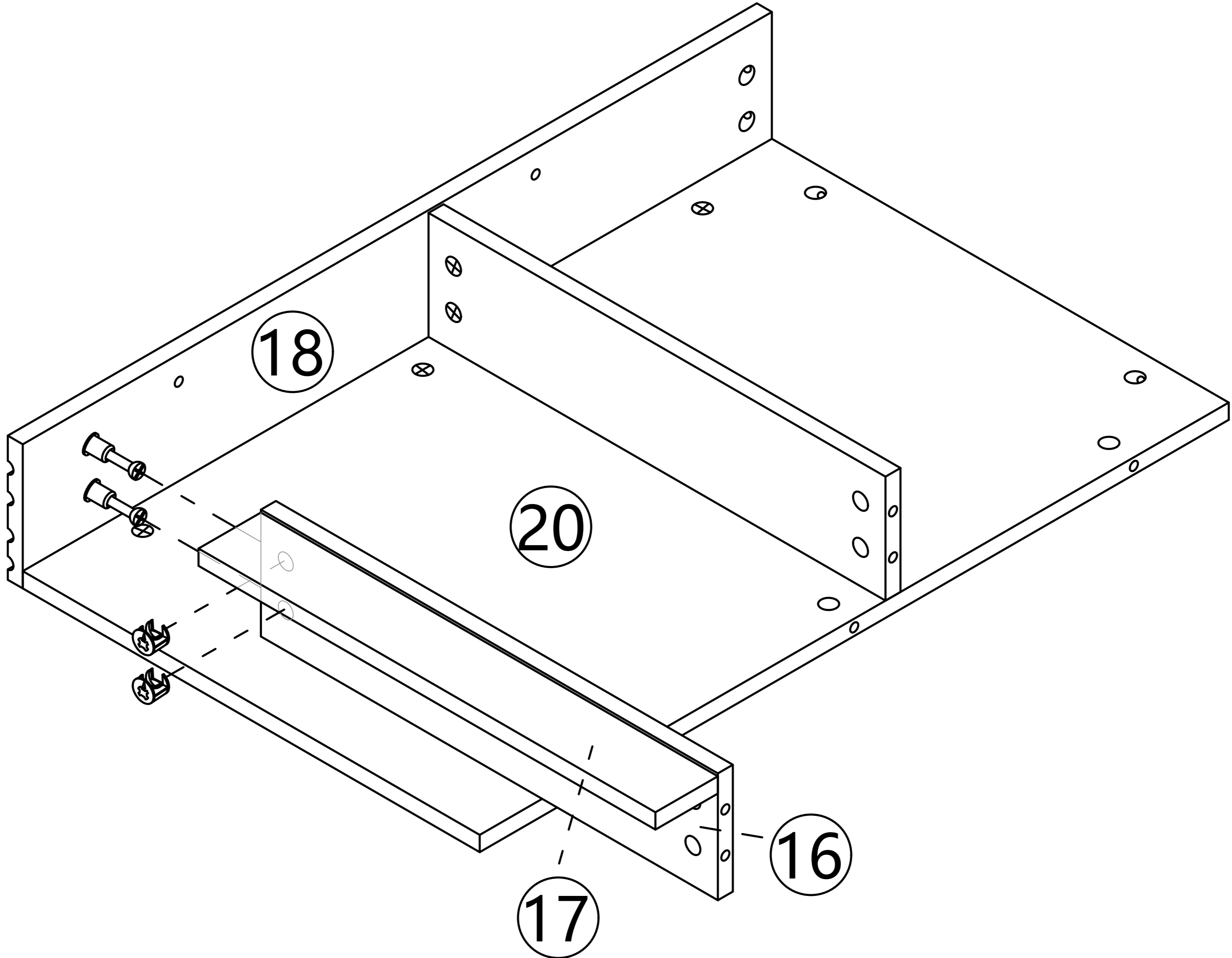
Step 41

(B)  x2

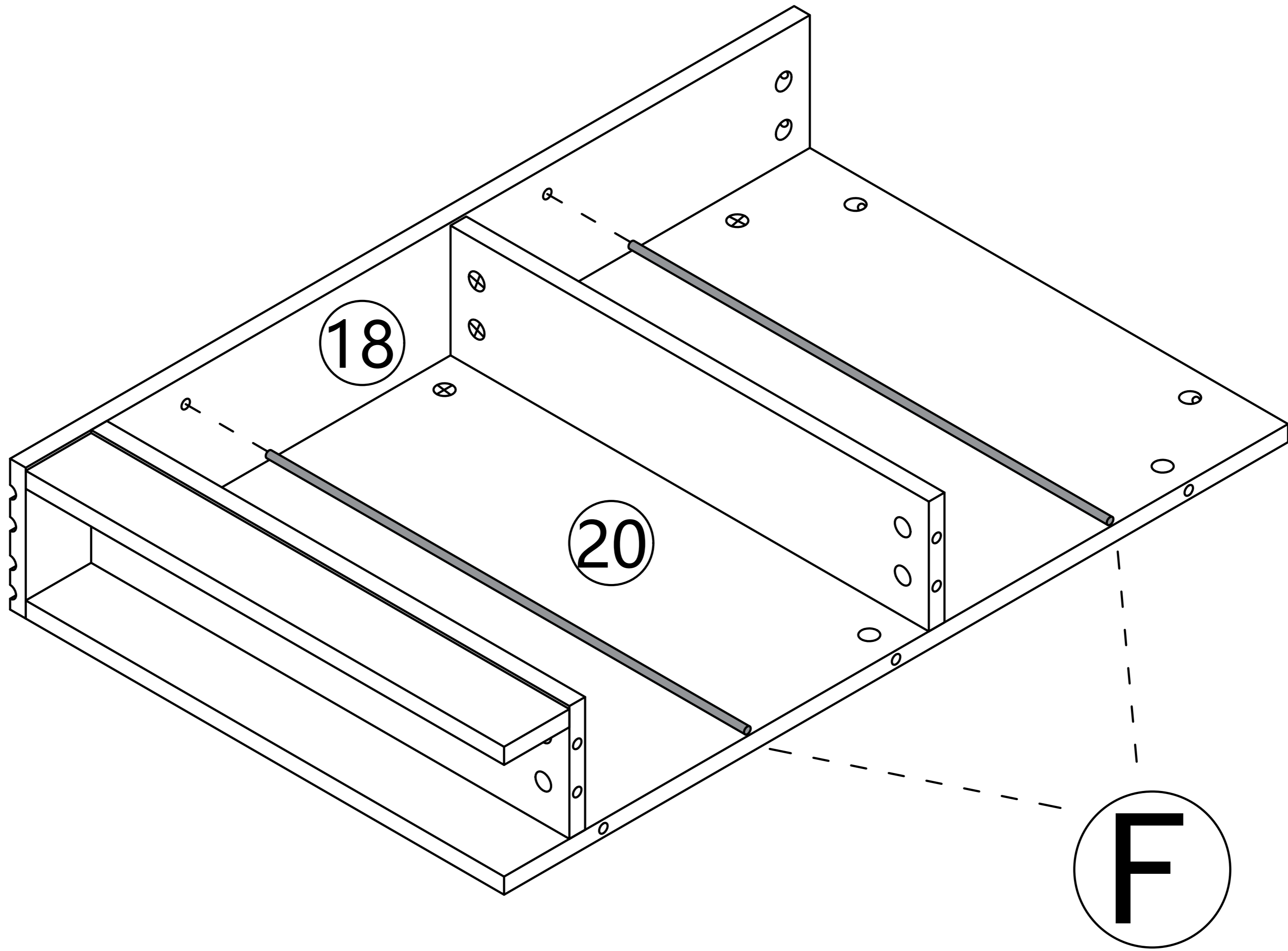
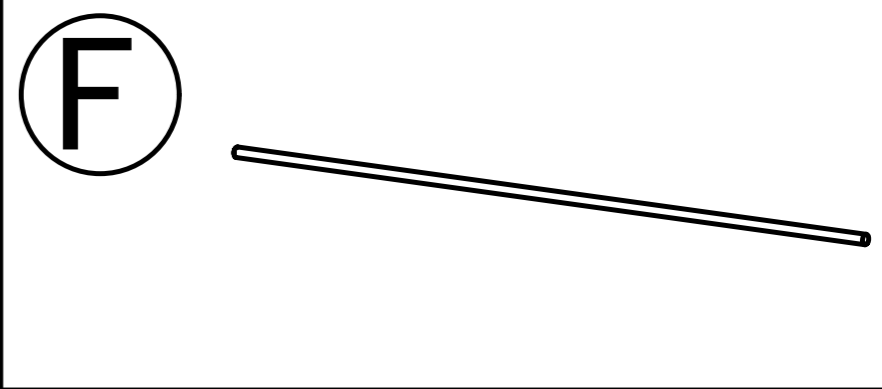


Step 42

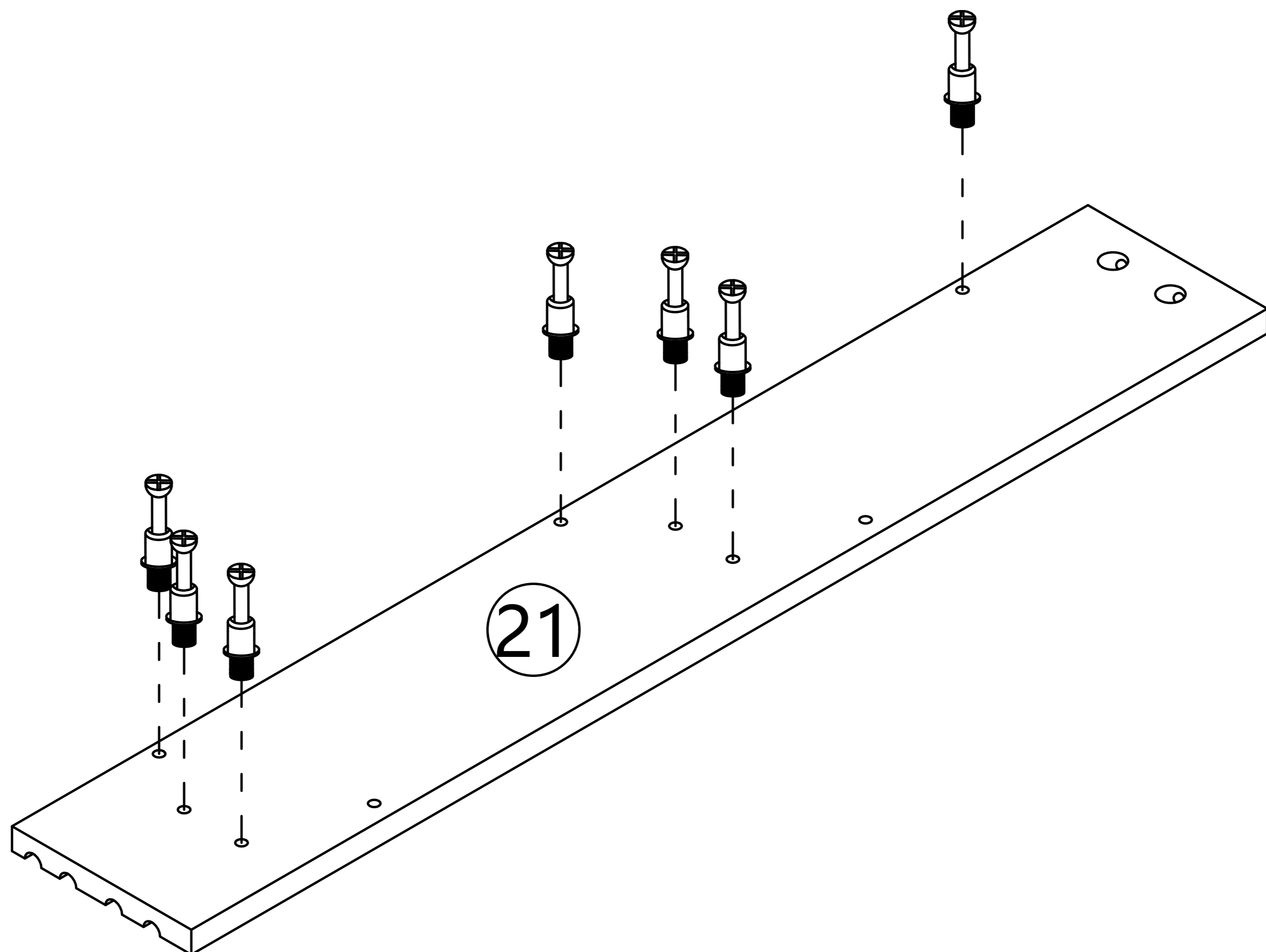
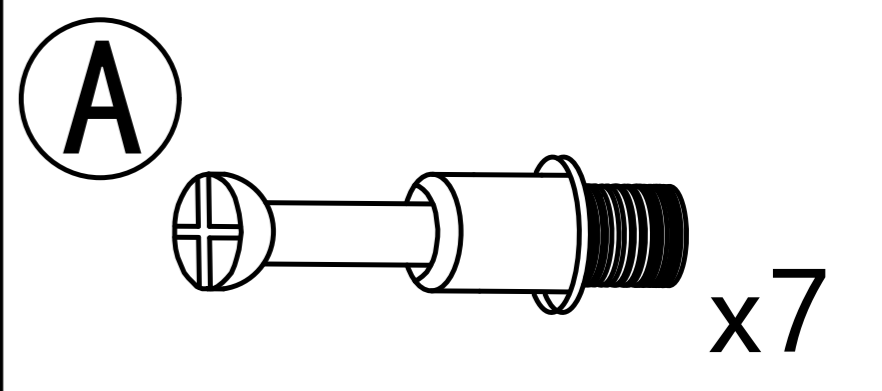
(B)  x2



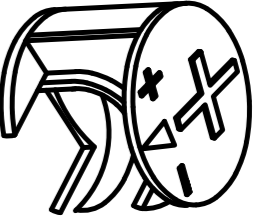
Step 43

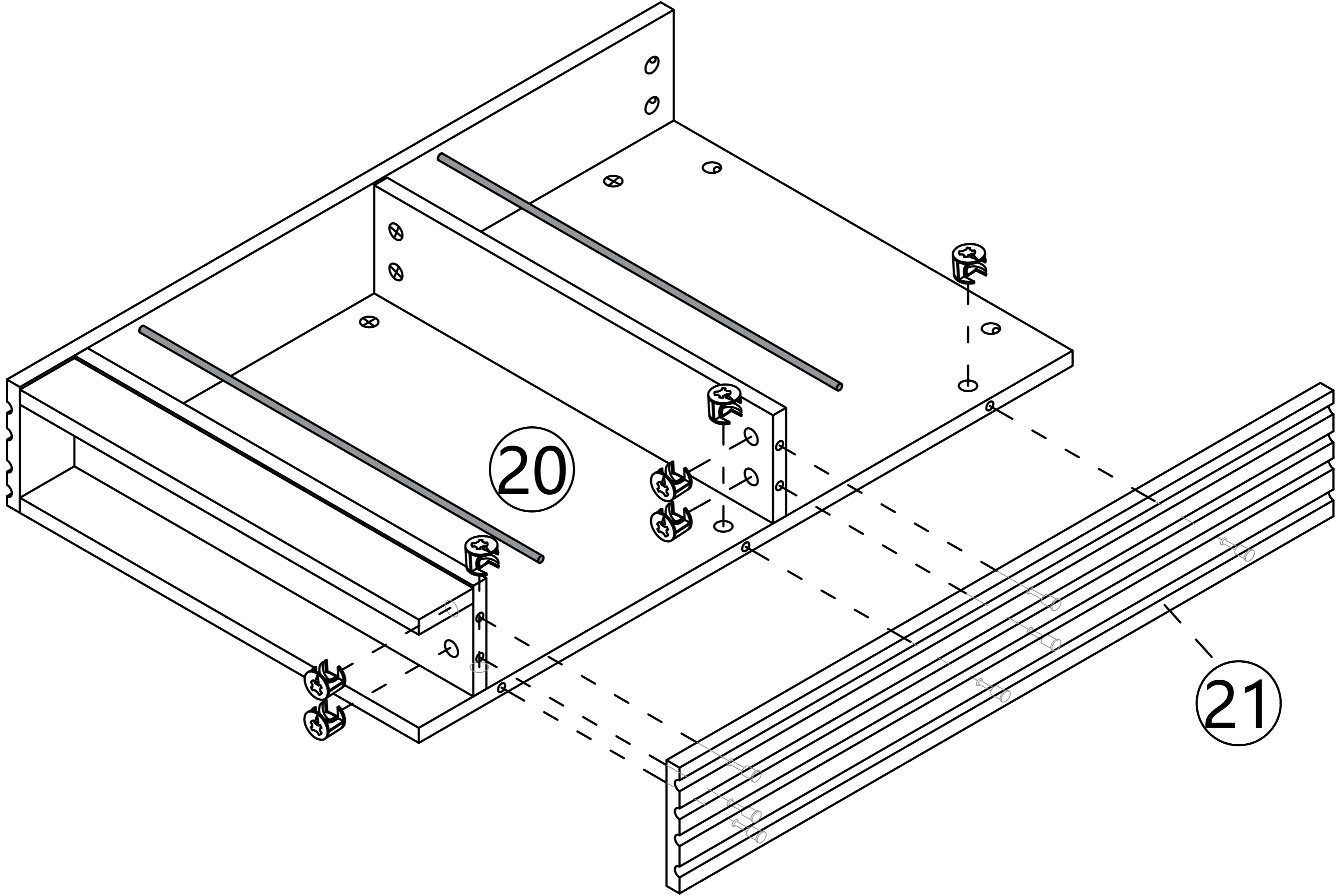


Step 44

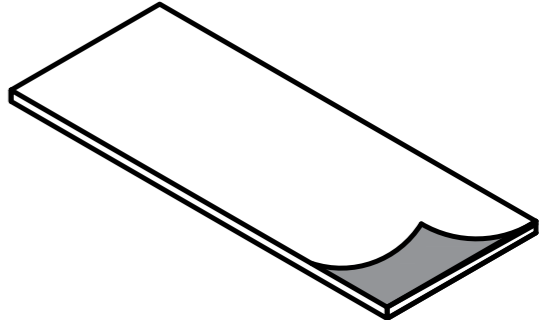


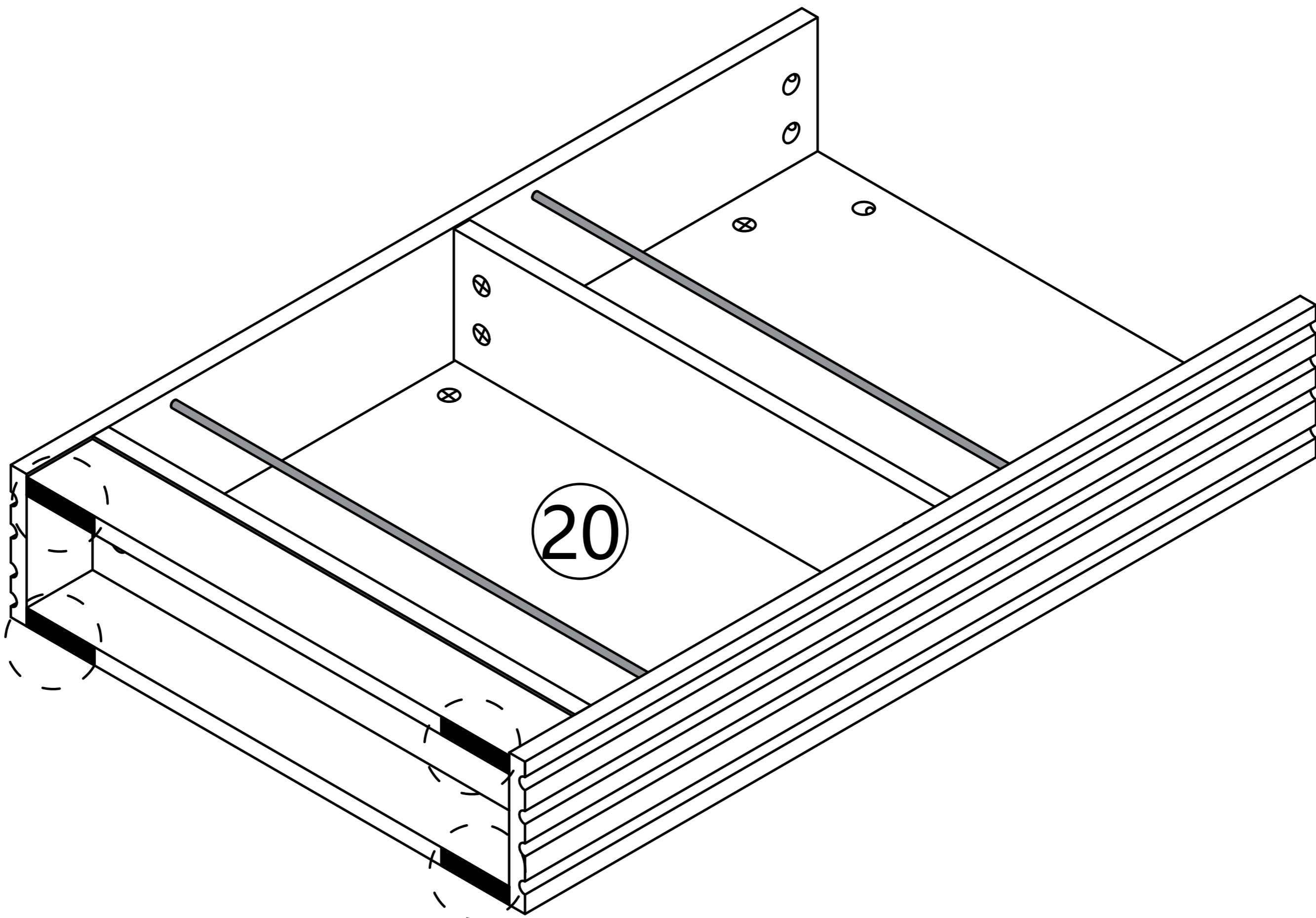
Step 45

**B**  x7






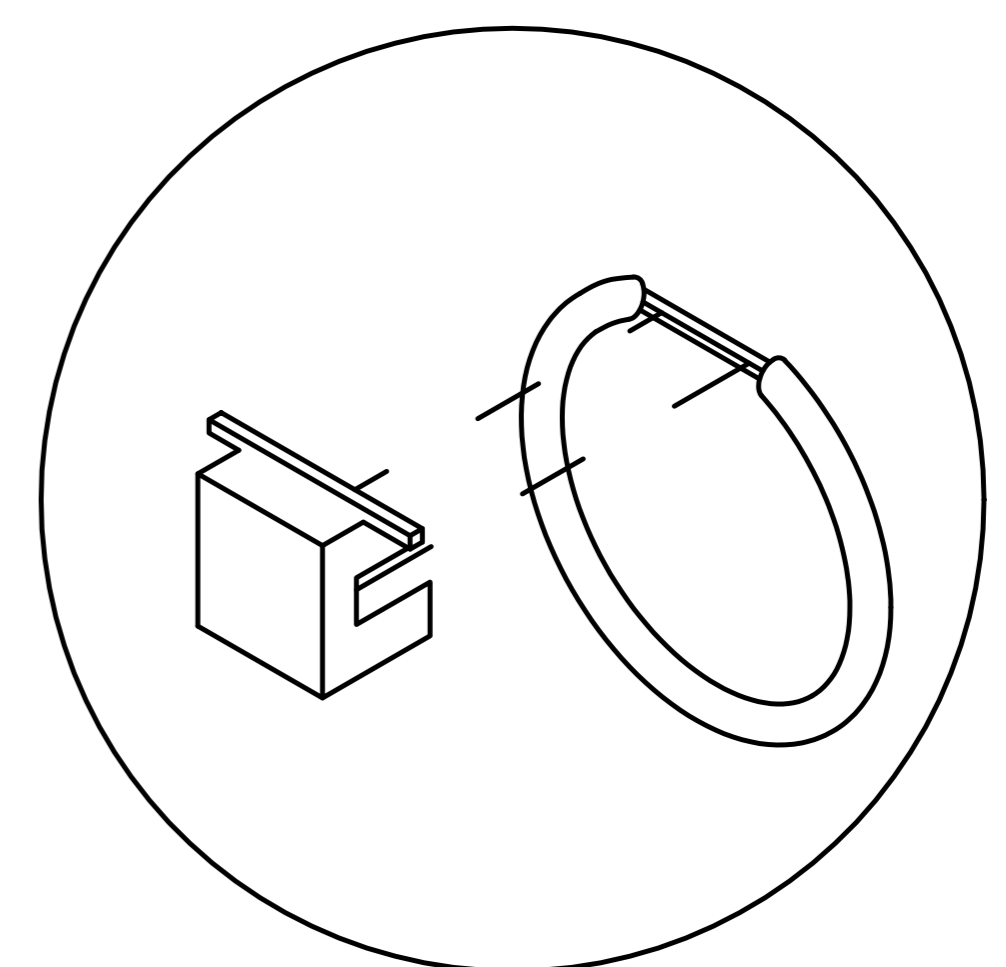
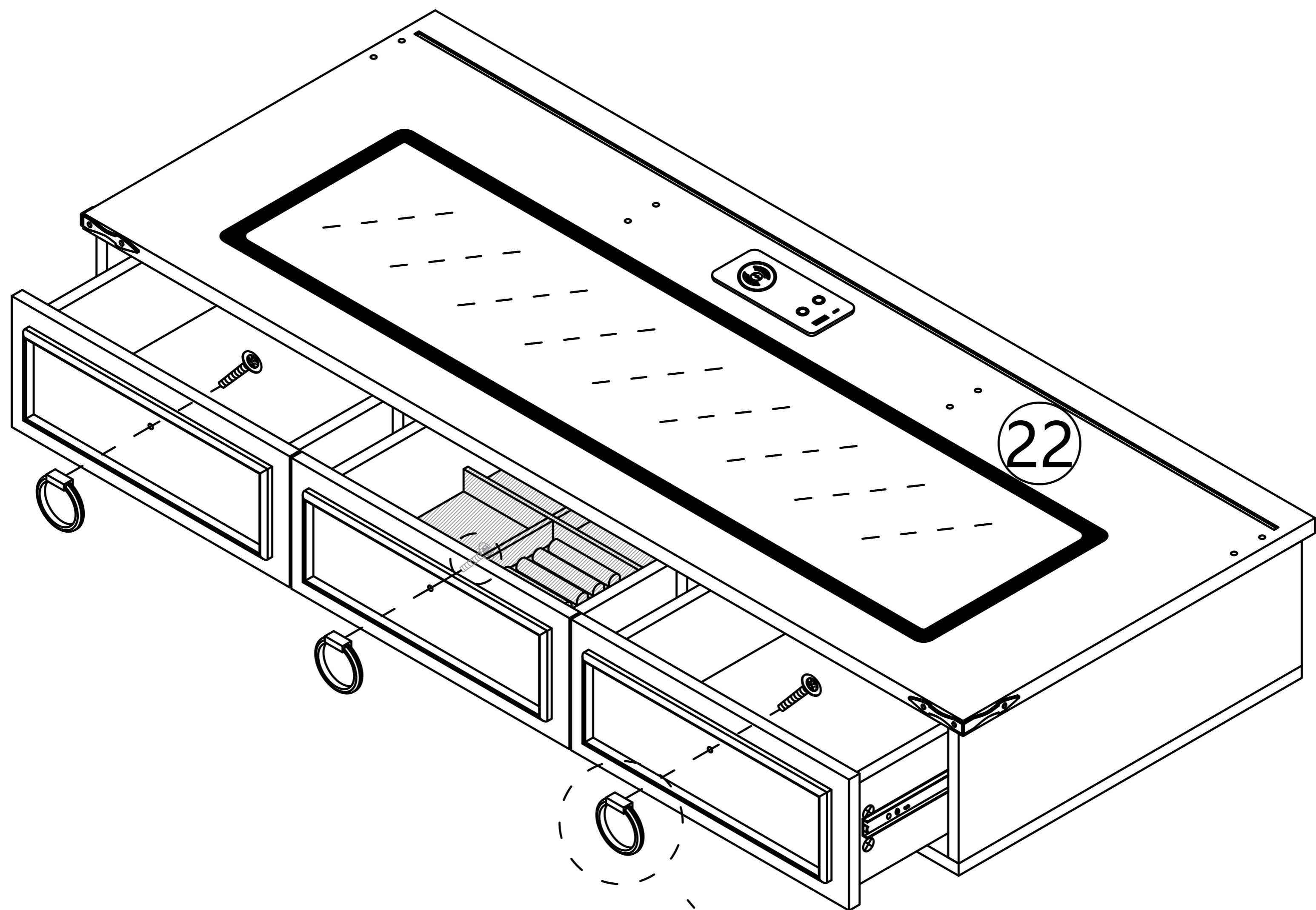
Step 46

**M**  x4  
Tear off release paper and stick the black foot pad on the board



# Step 47

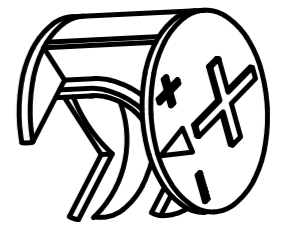
- D**
-  x3
-  x3
-  x3



Attention: Remove the iron wire before installing the handle

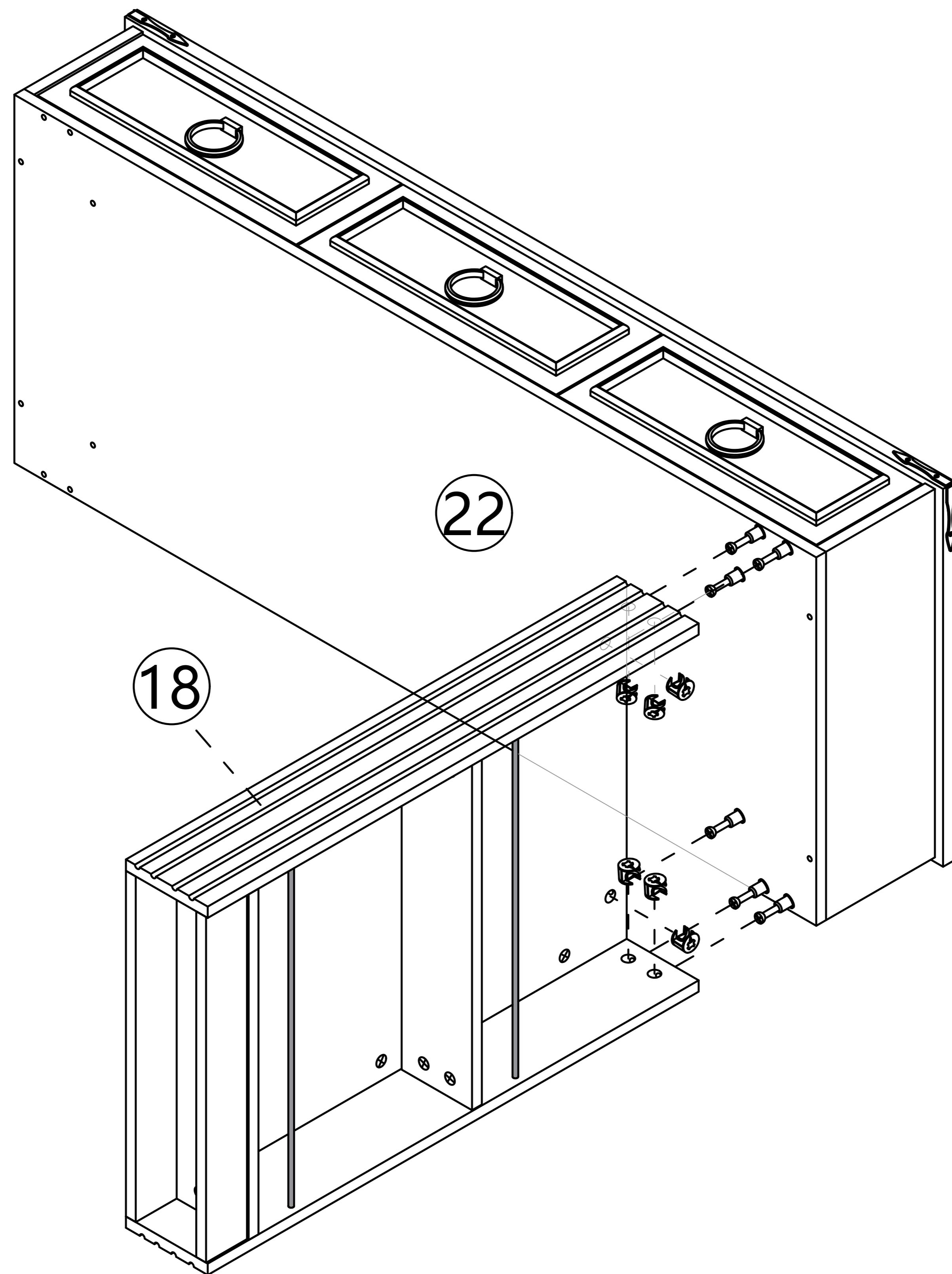
Step 48

B



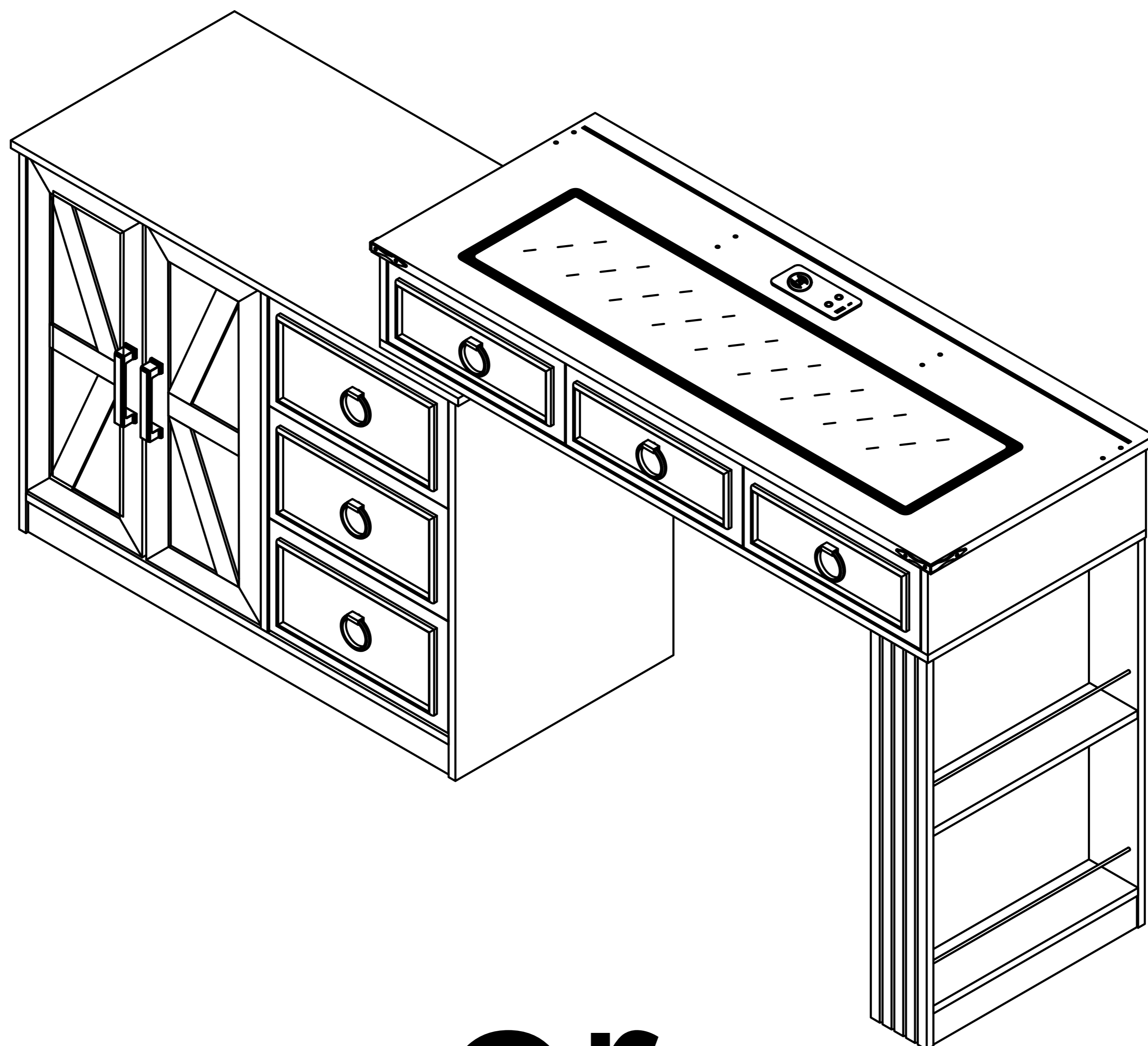
x6

# Effect 1

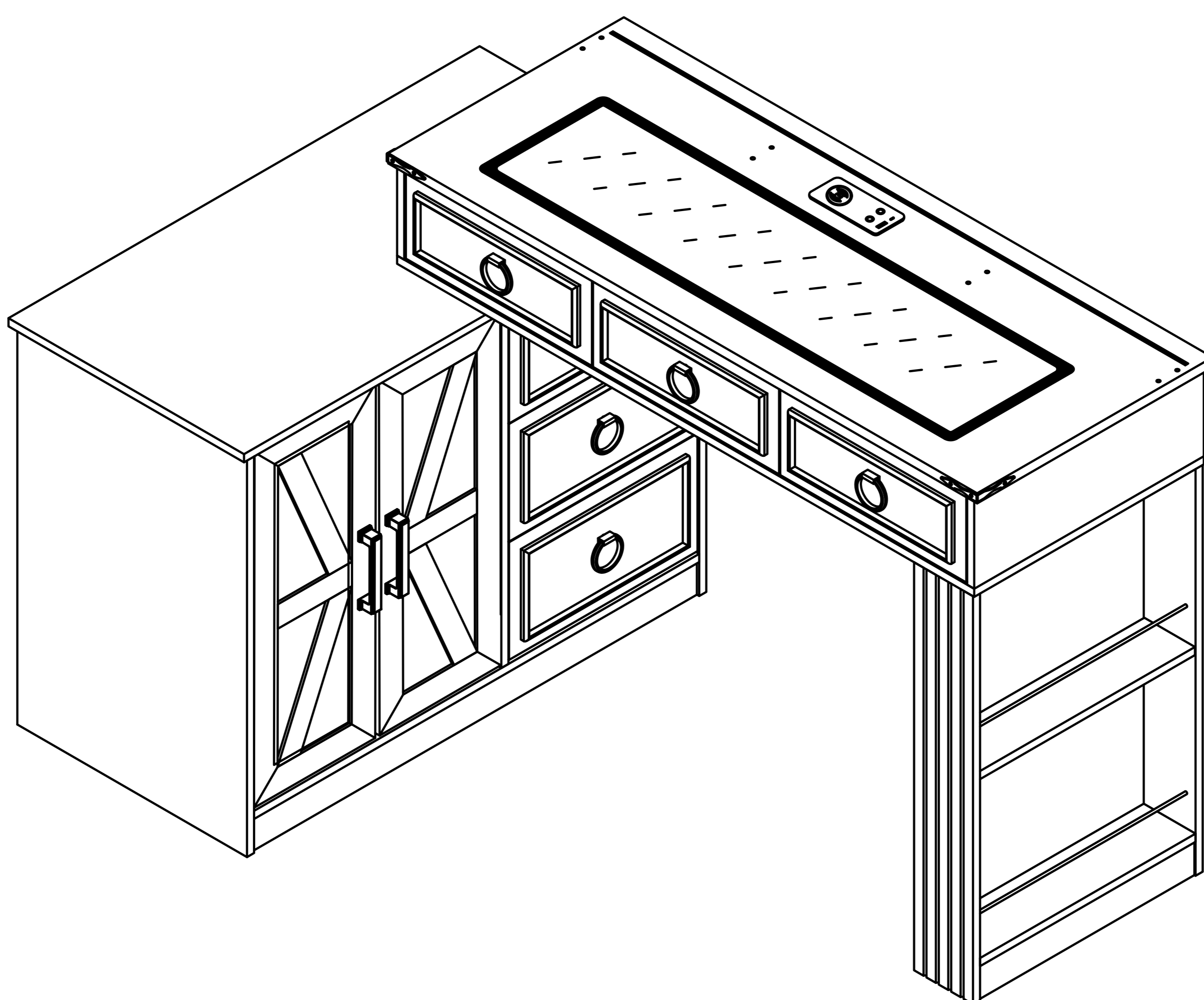


Attention: Please review the following four effects before selecting the location where you want to install

# The placement effect of Effect 1

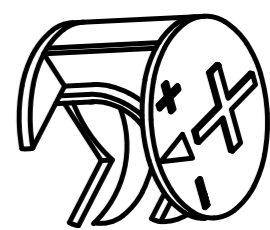


or



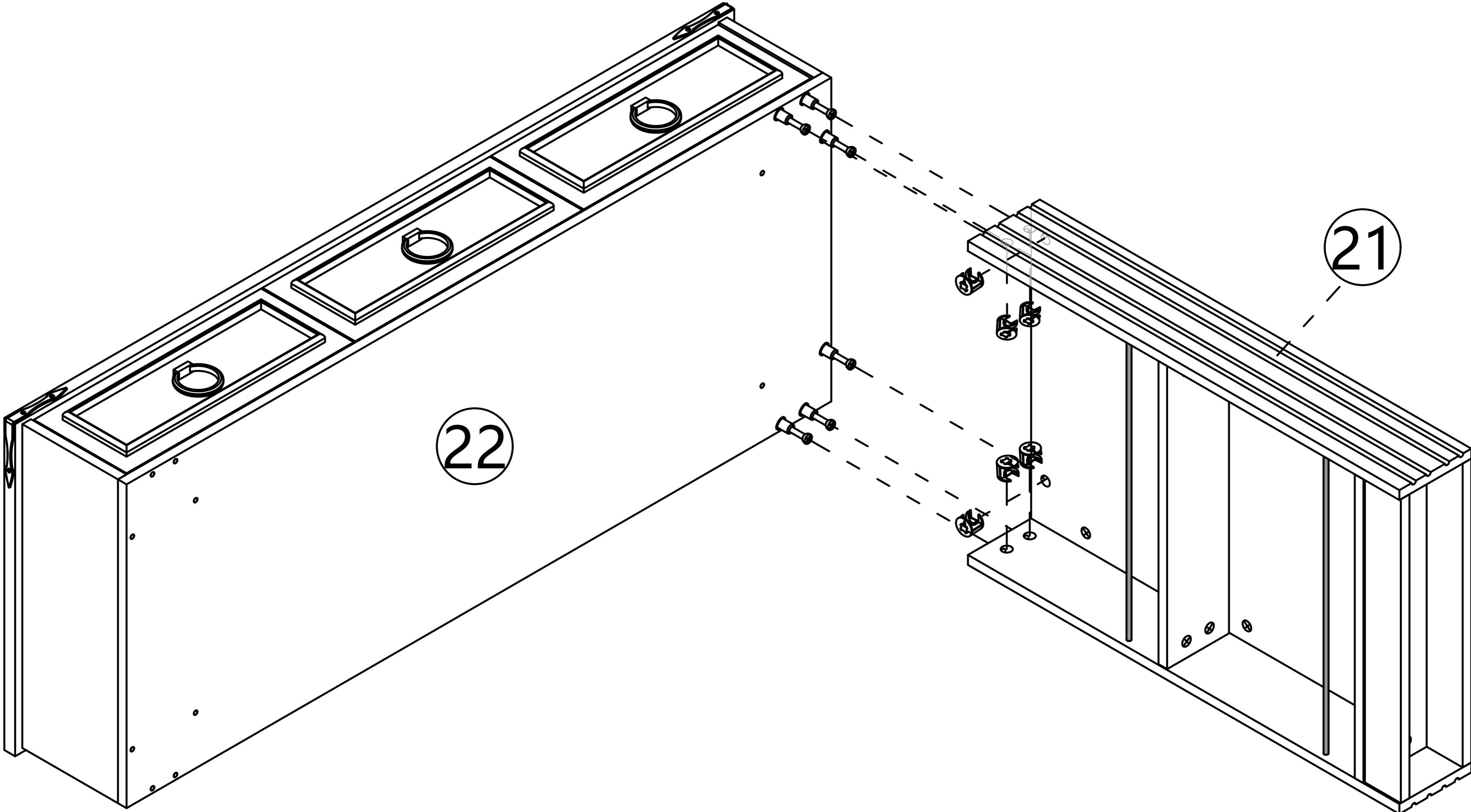
Step 49

B

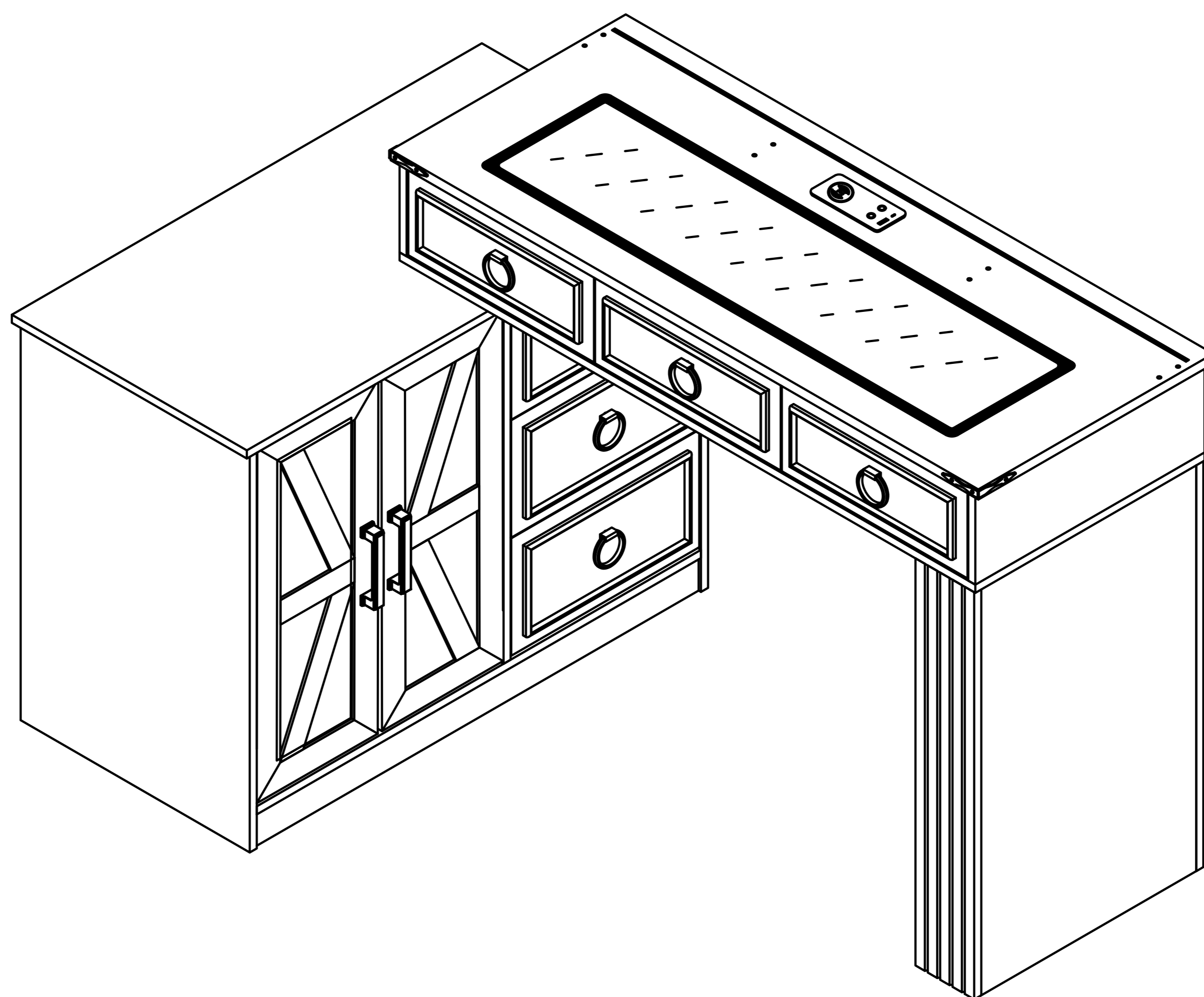


x6

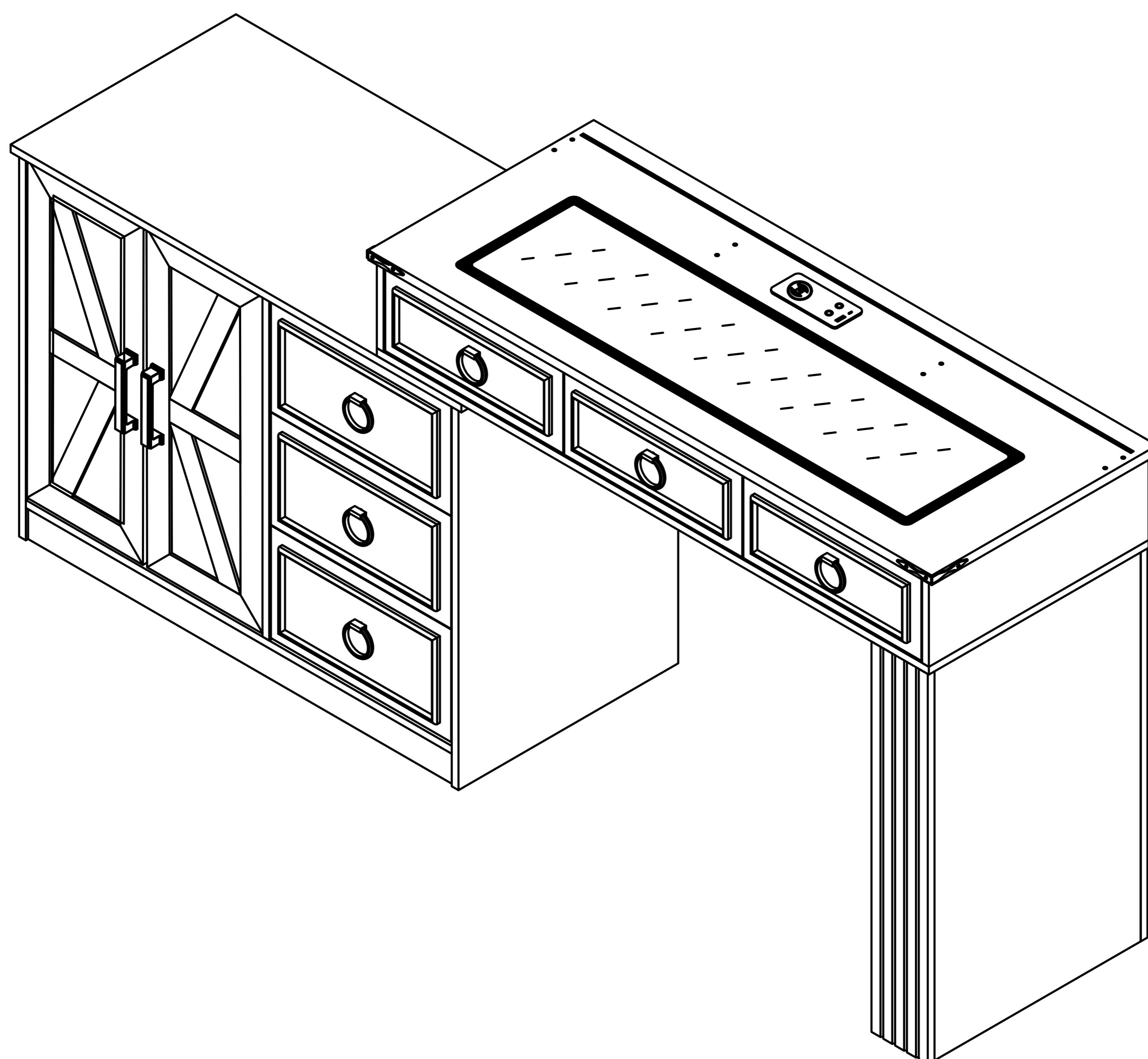
# Effect 2



# The placement effect of Effect 2

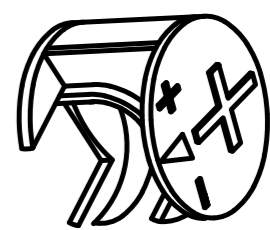


or



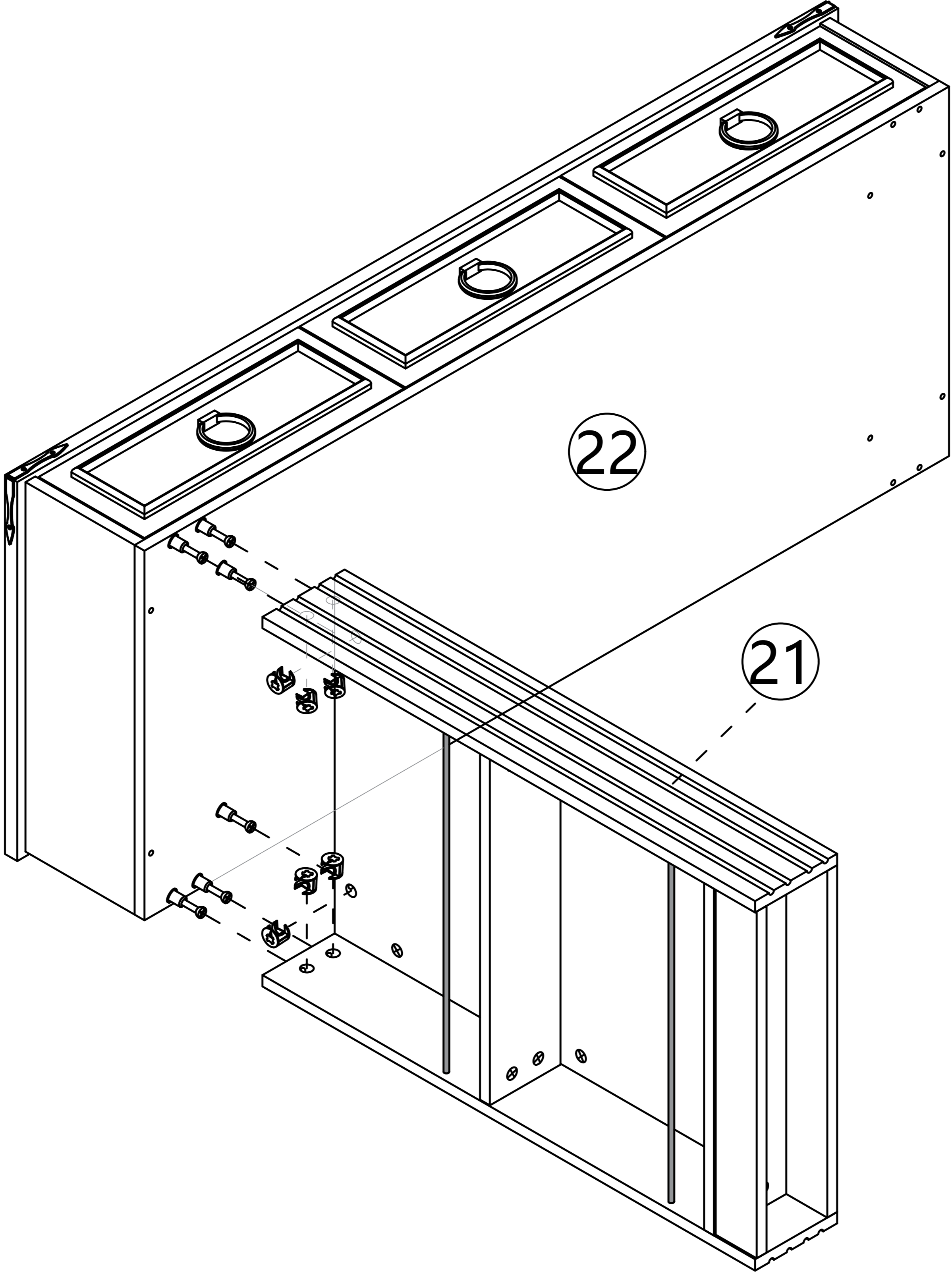
Step 50

B

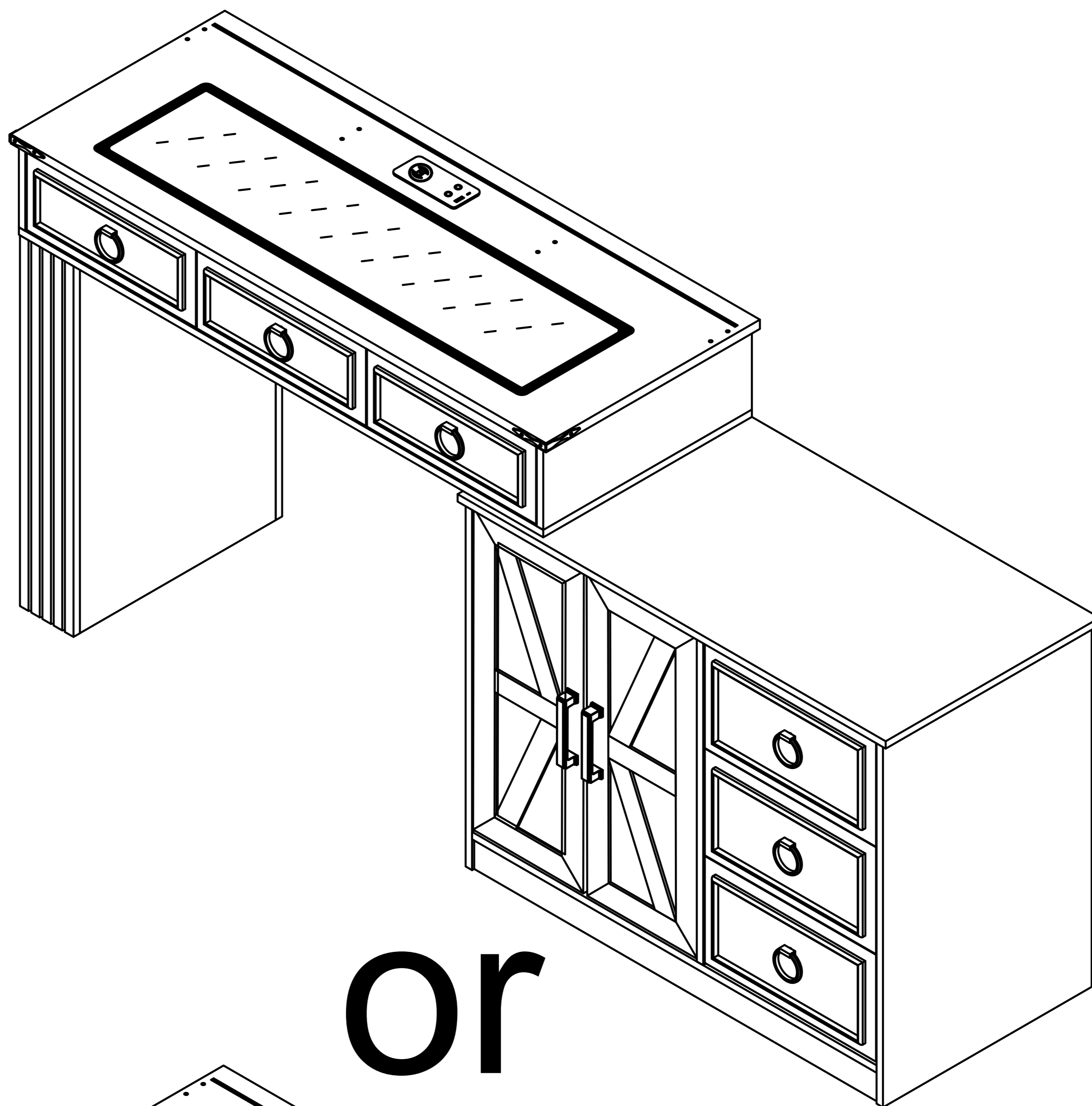


x6

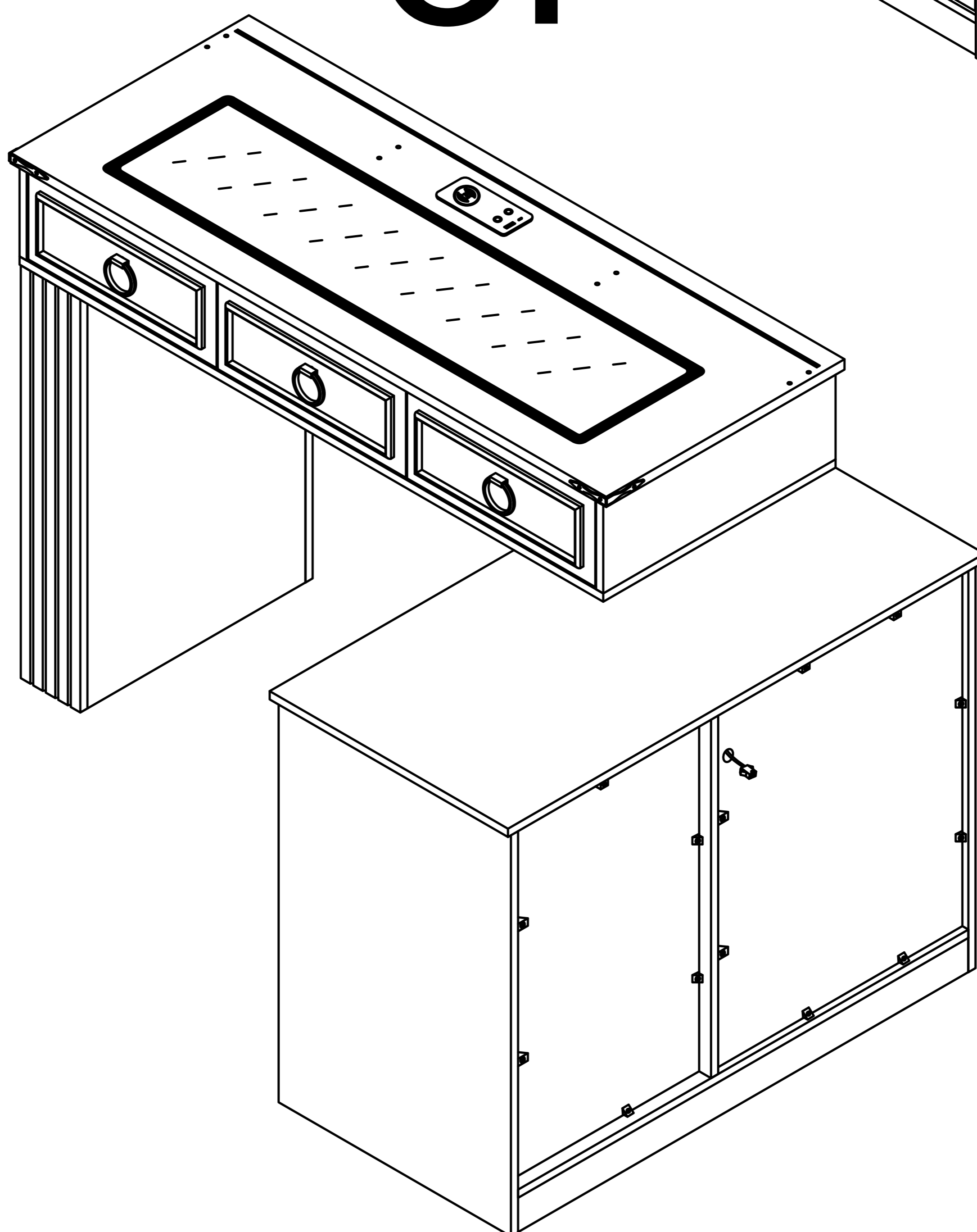
# Effect 3



# The placement effect of Effect 3

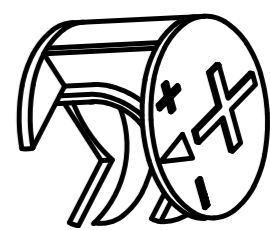


or



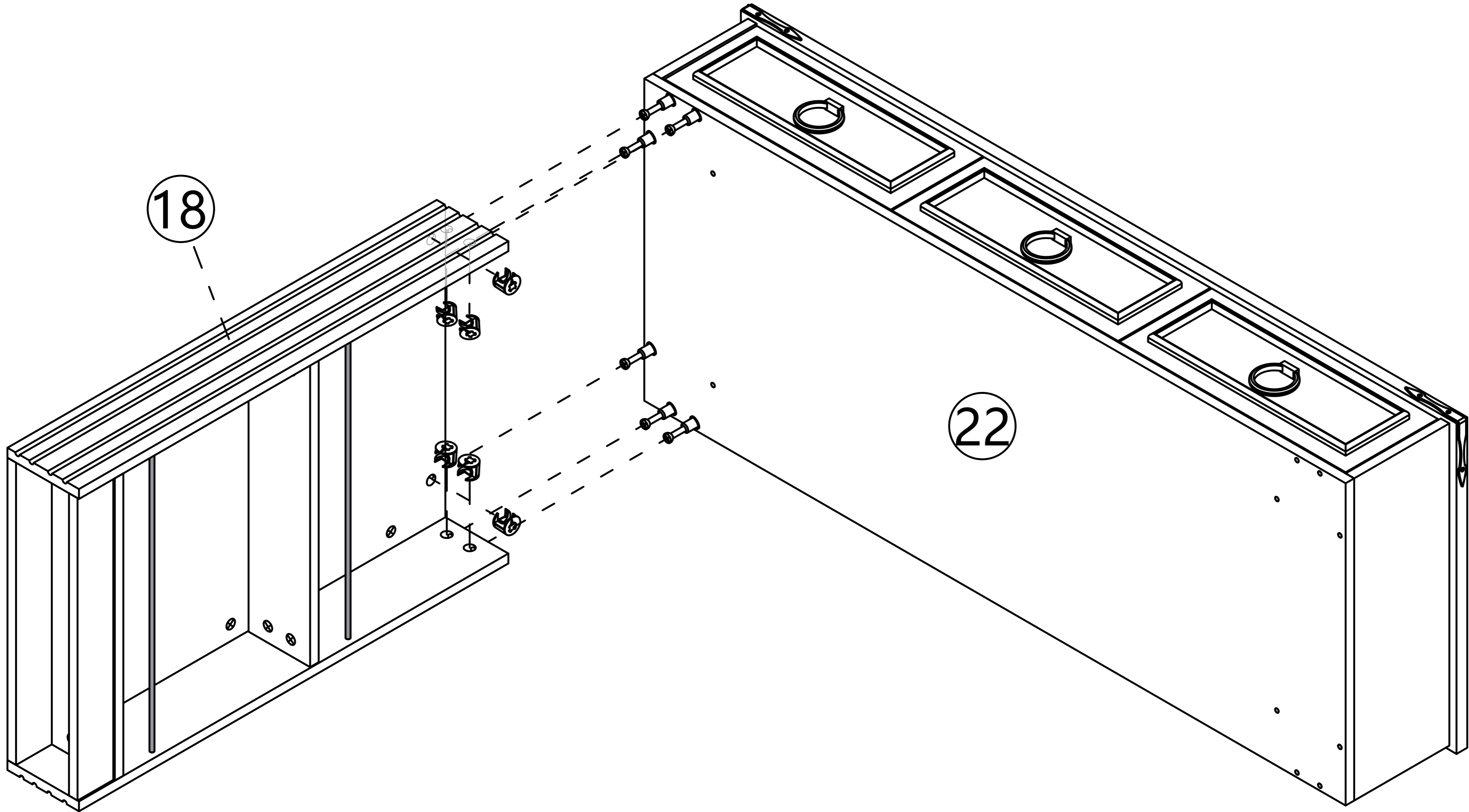
Step 51

B

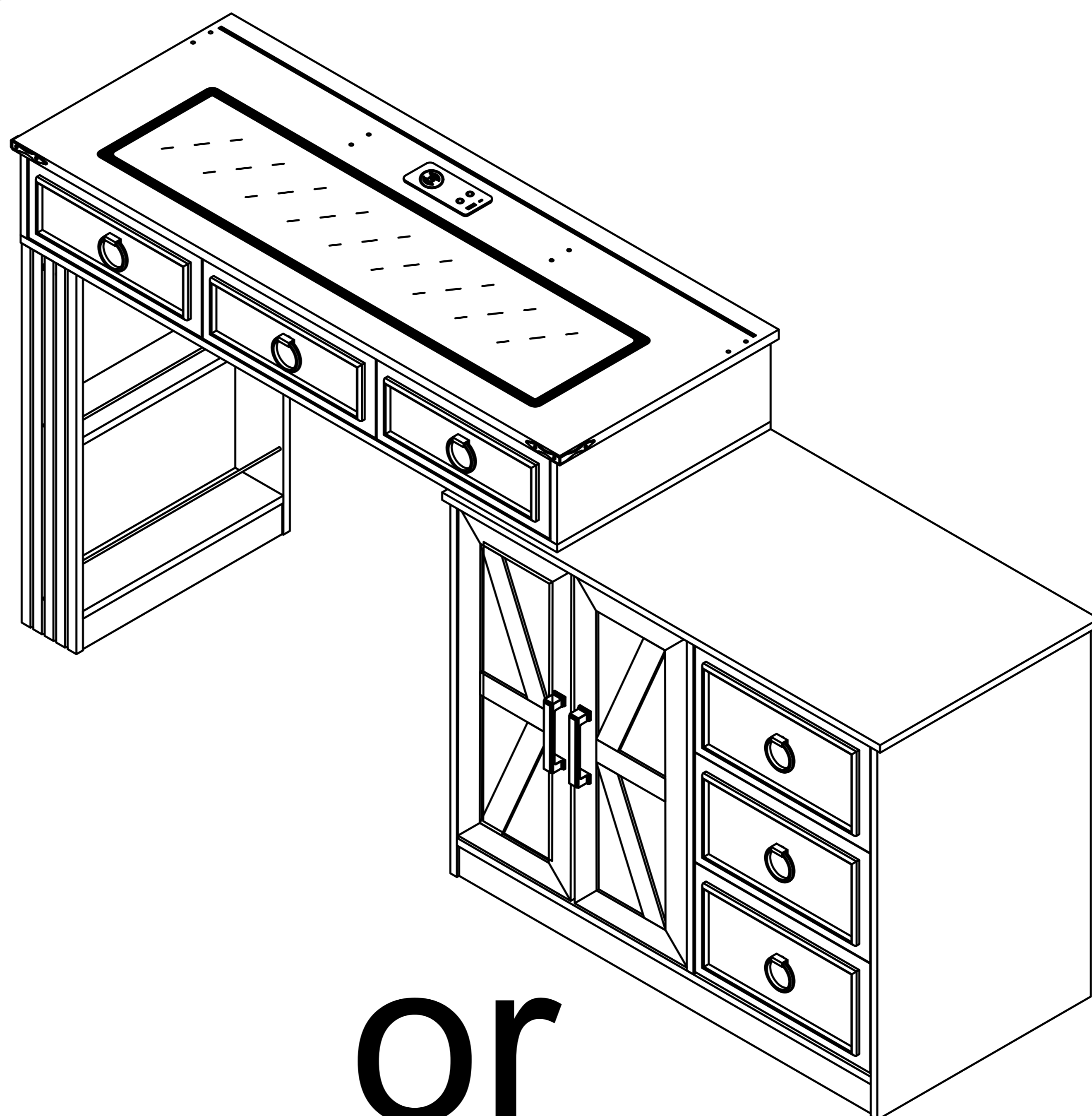


x6

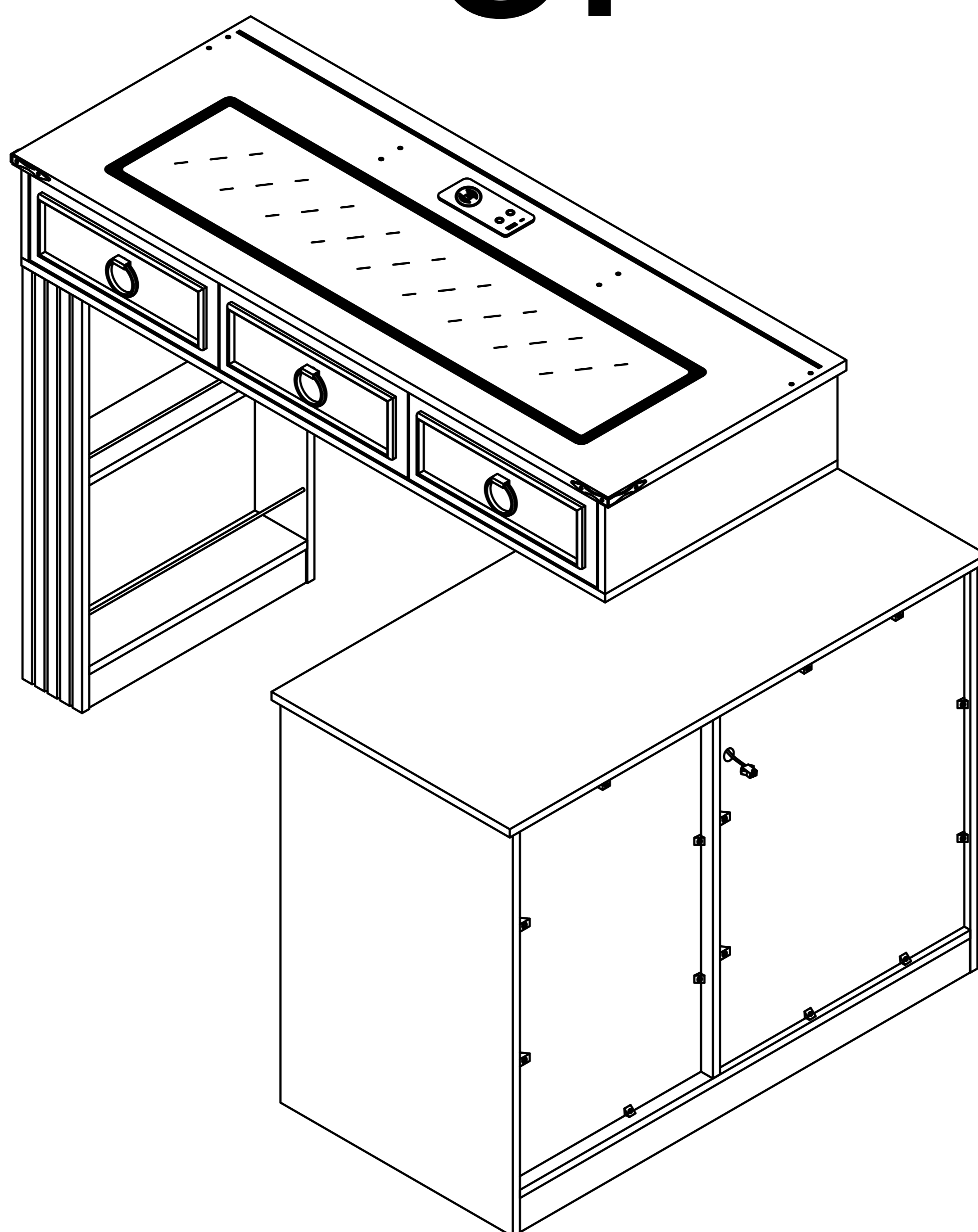
# Effect 4



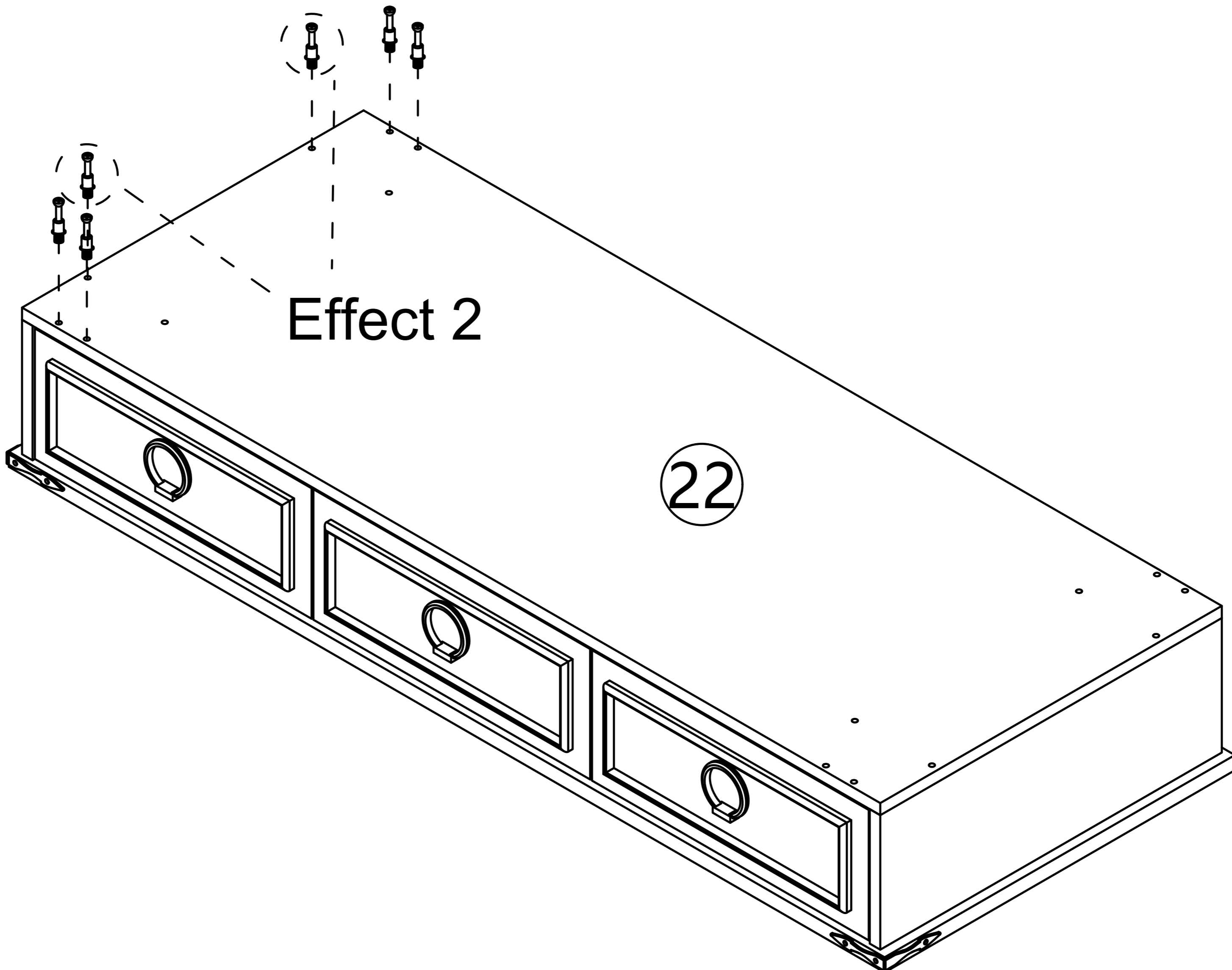
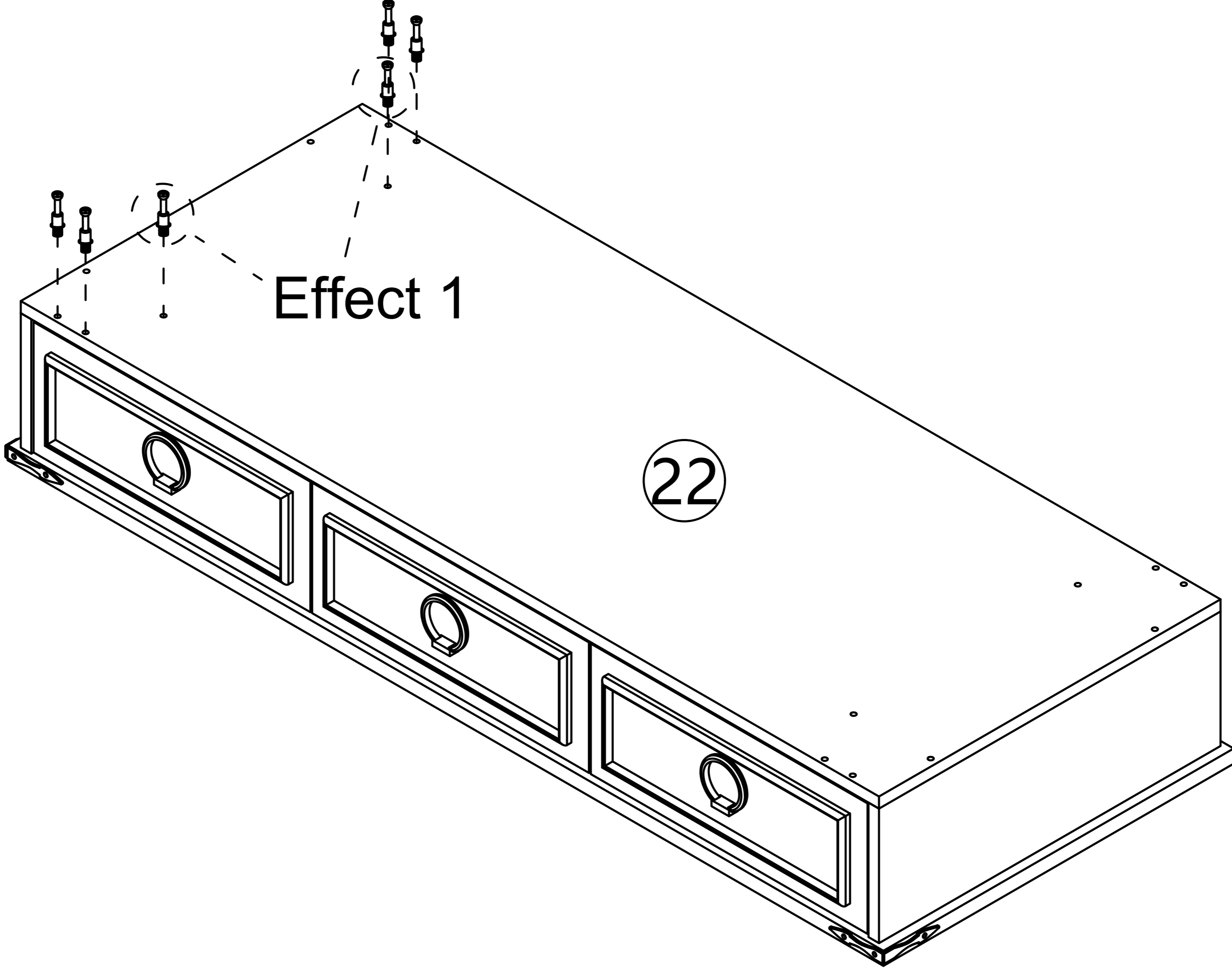
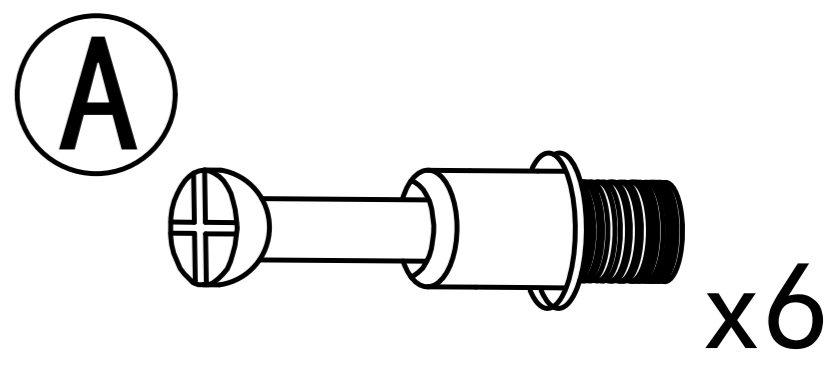
# The placement effect of Effect 4



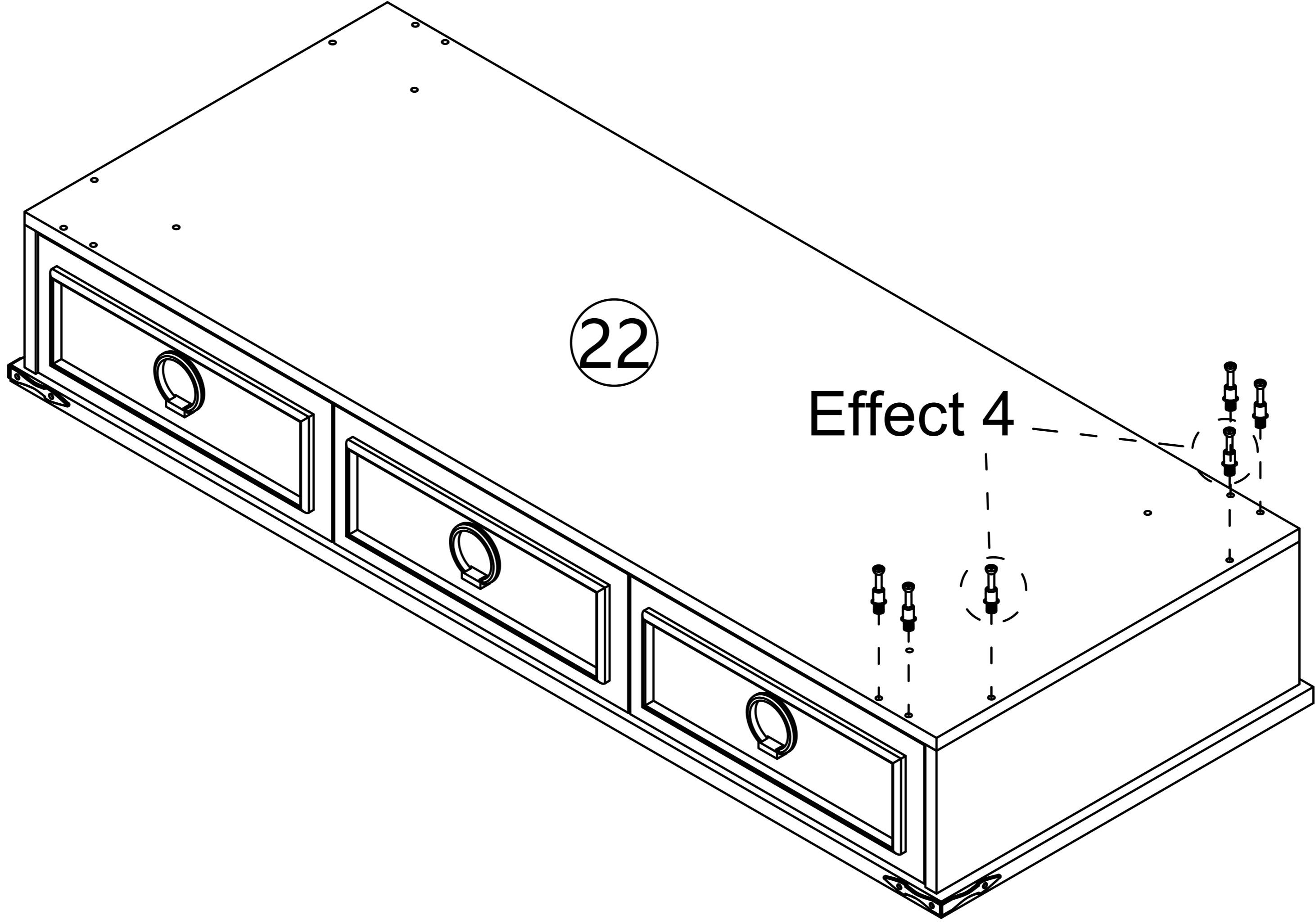
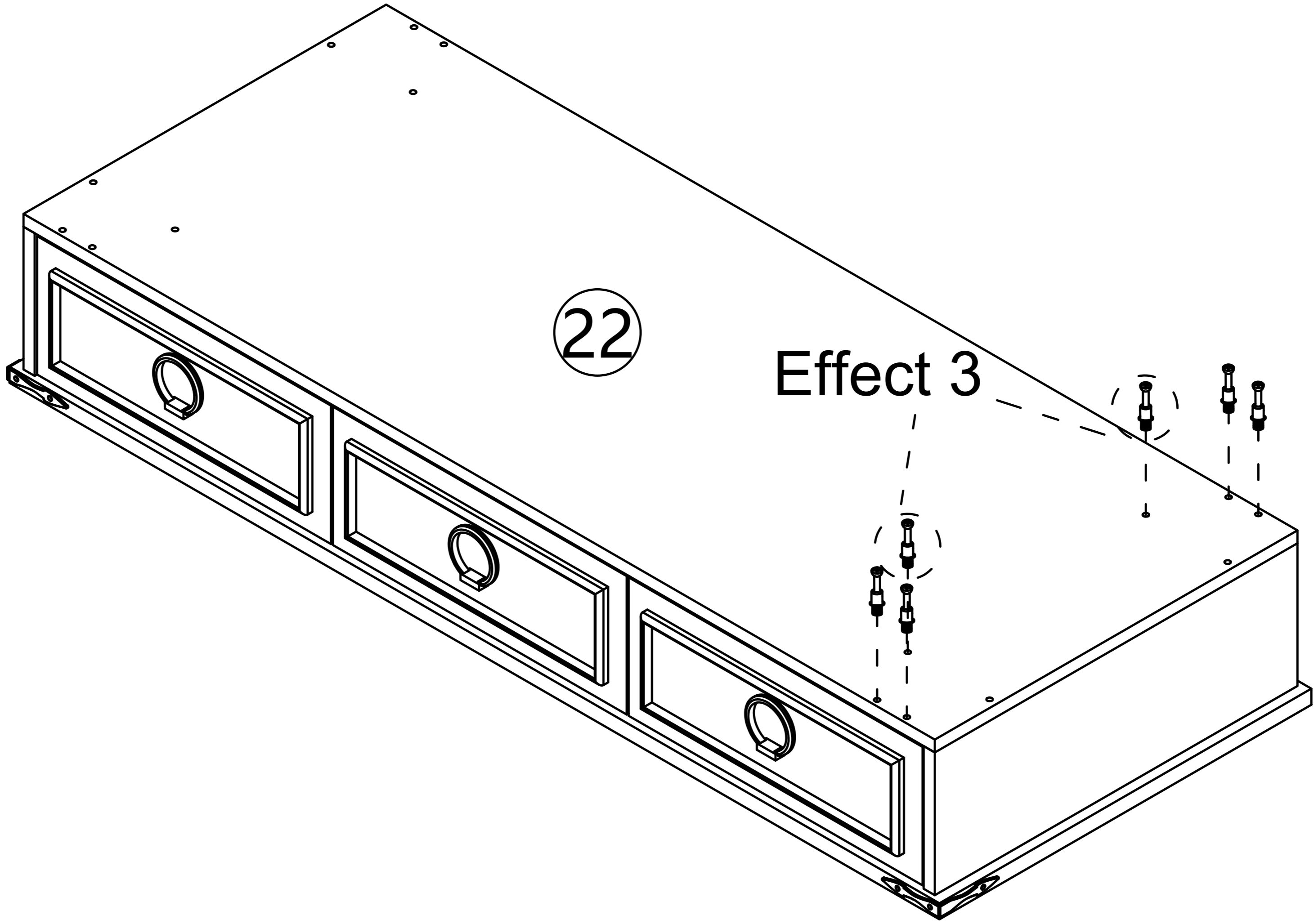
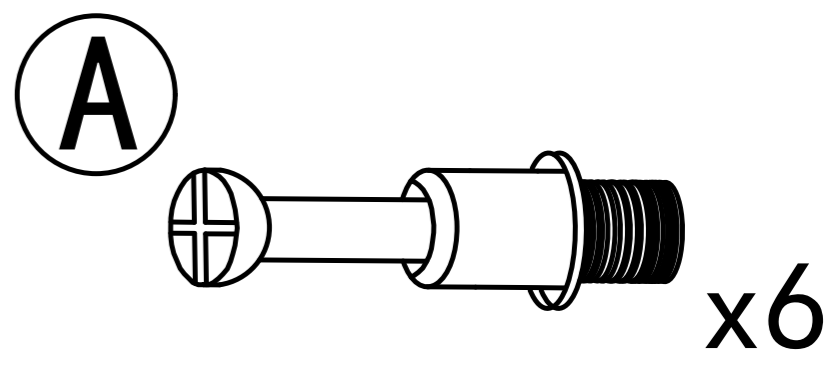
or



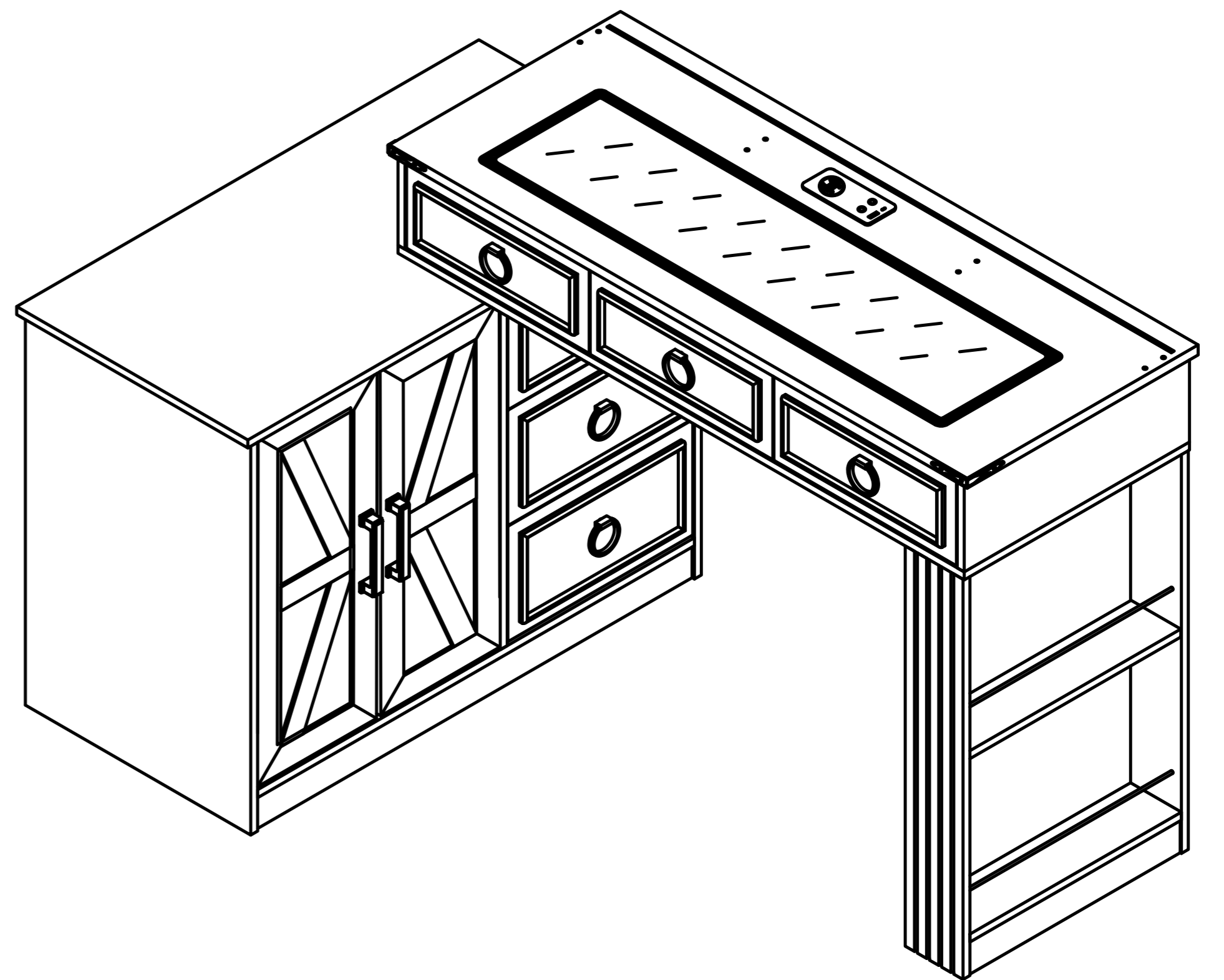
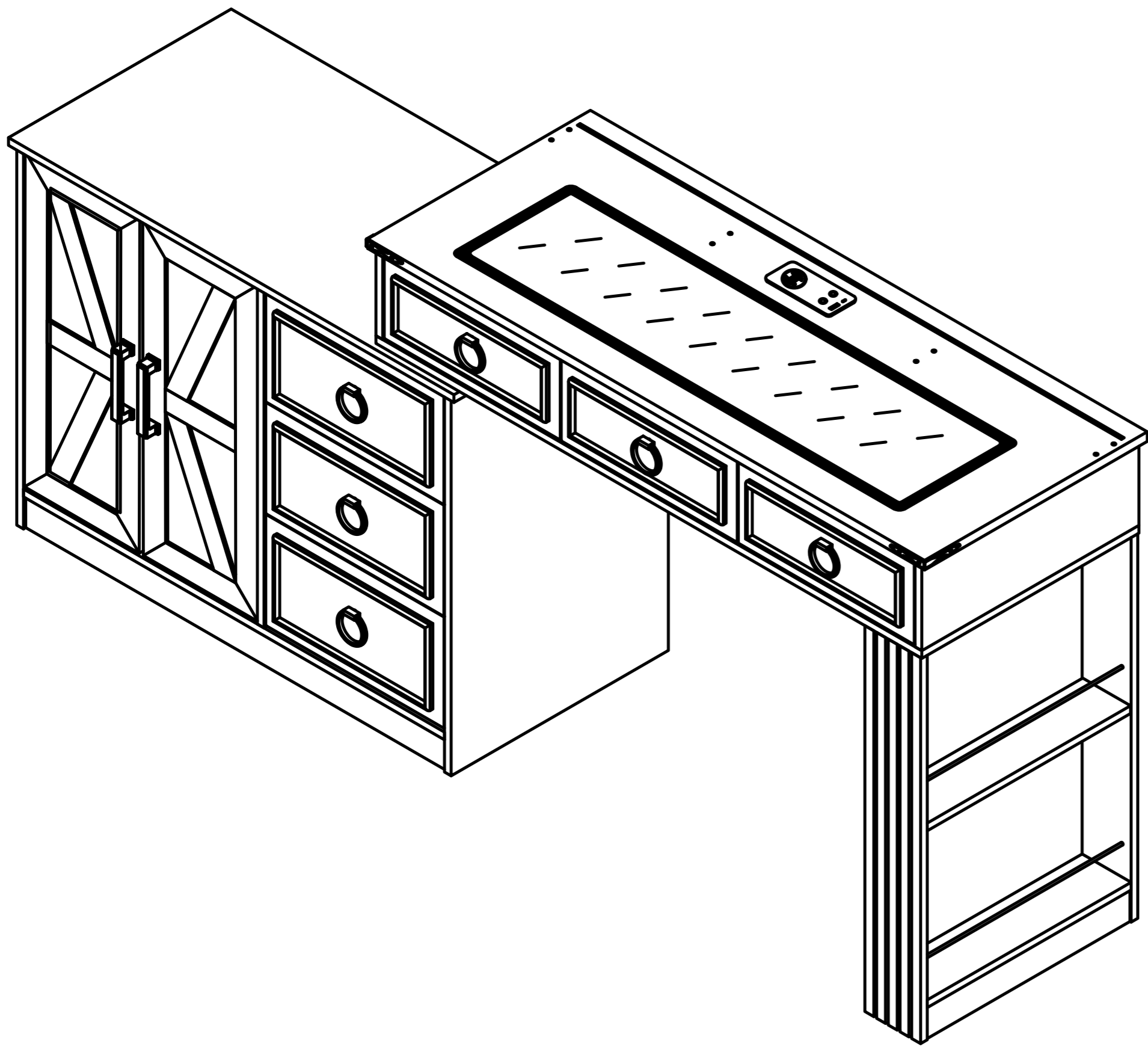
Step 52



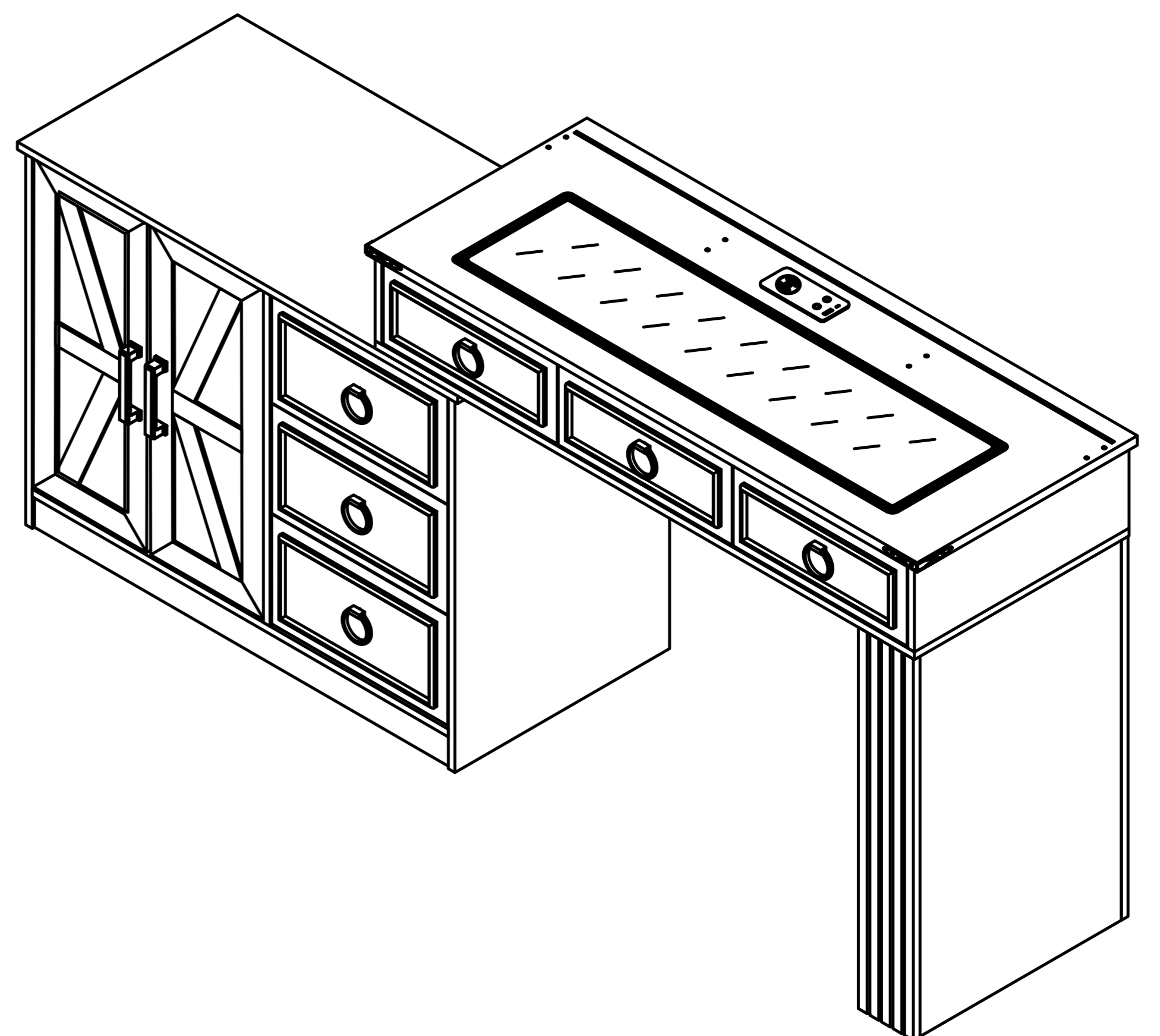
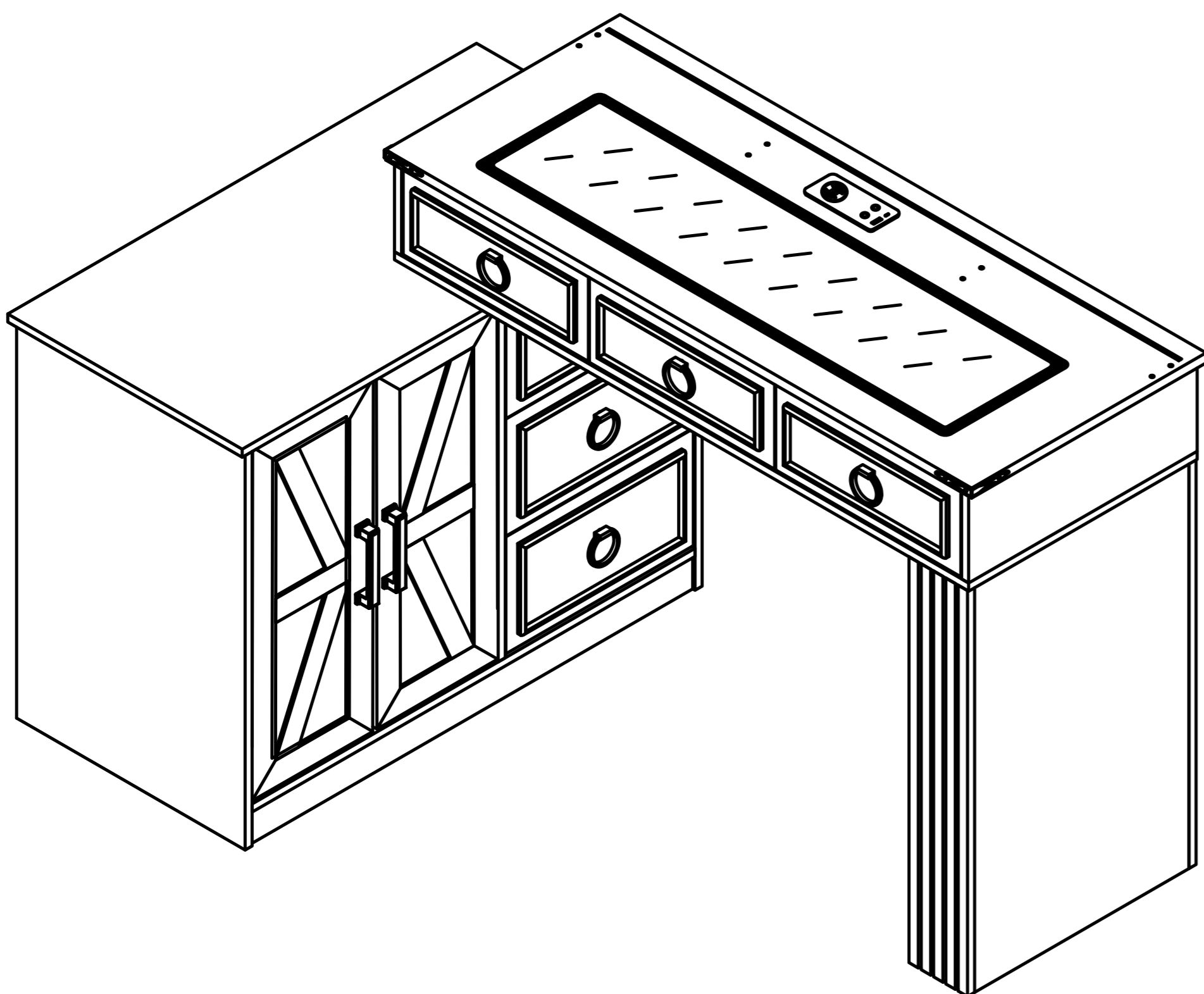
Step 53



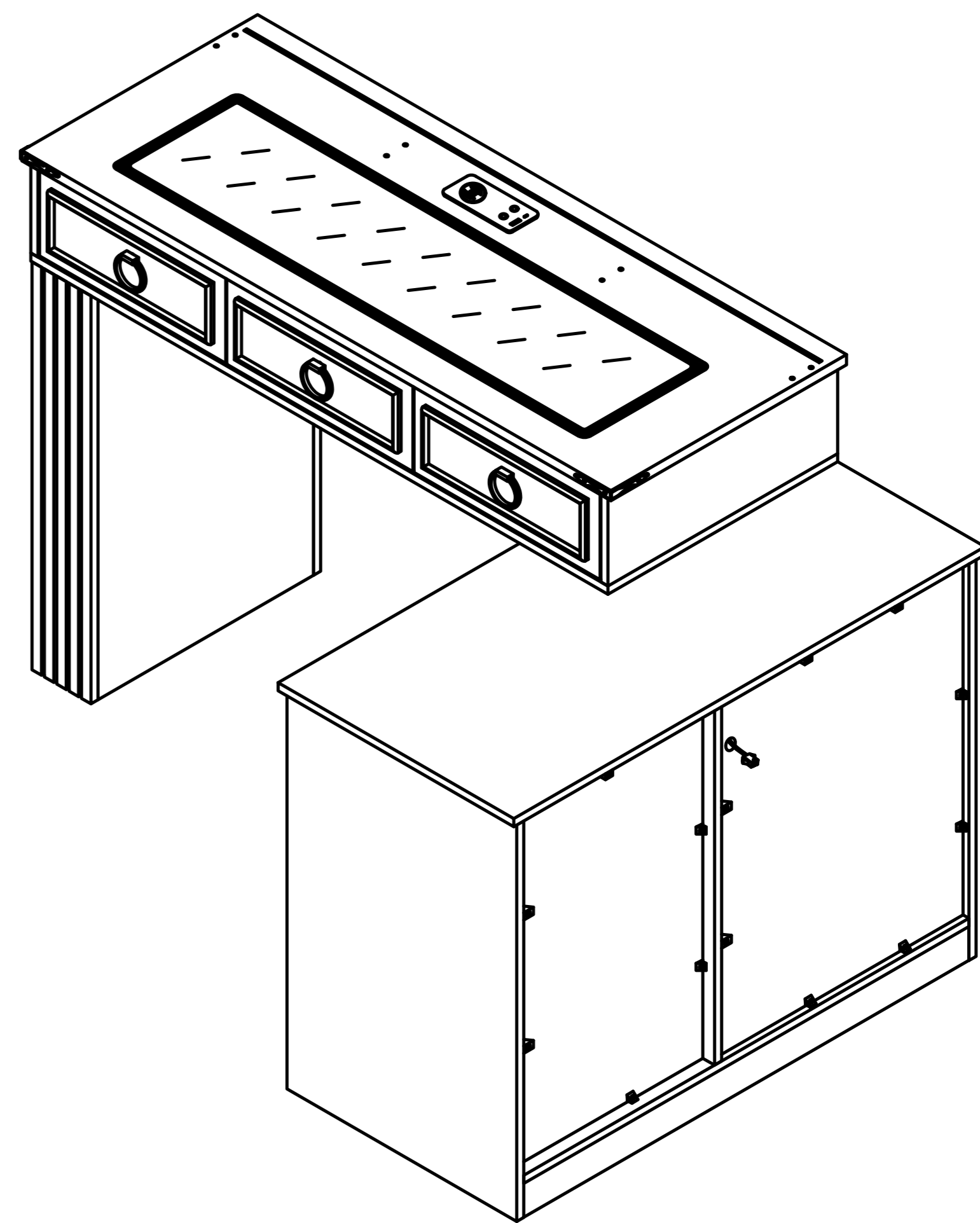
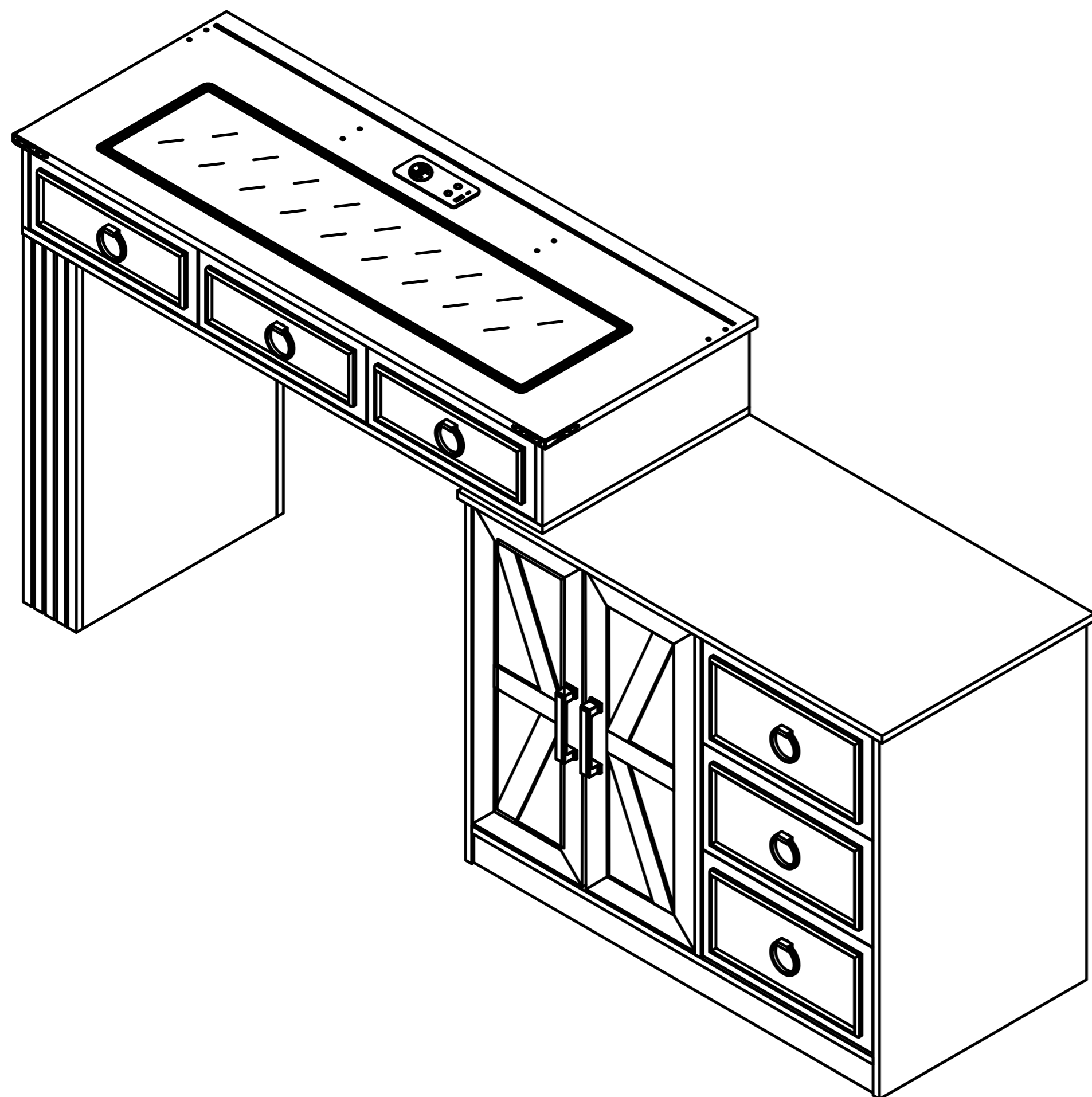
# Effect 1



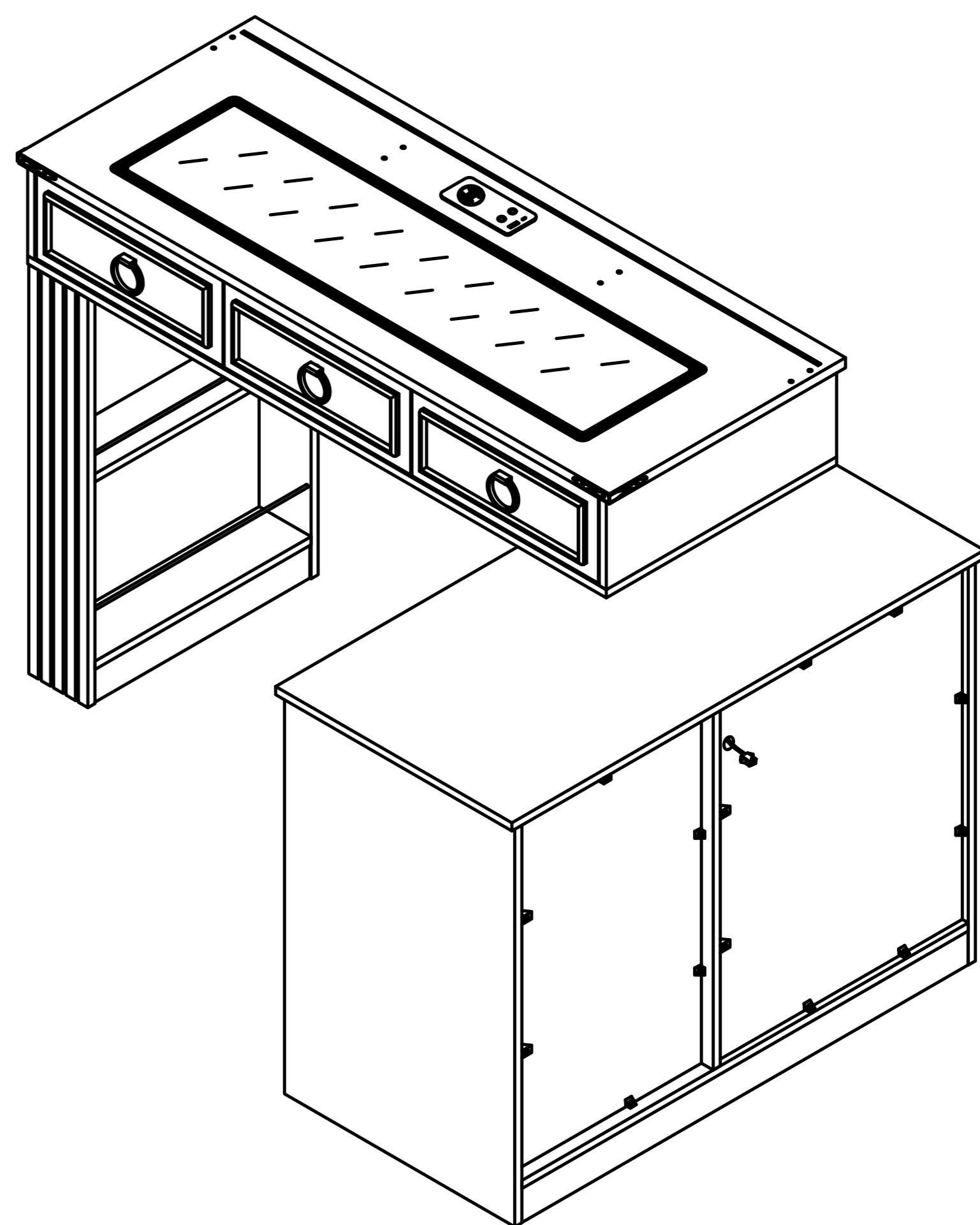
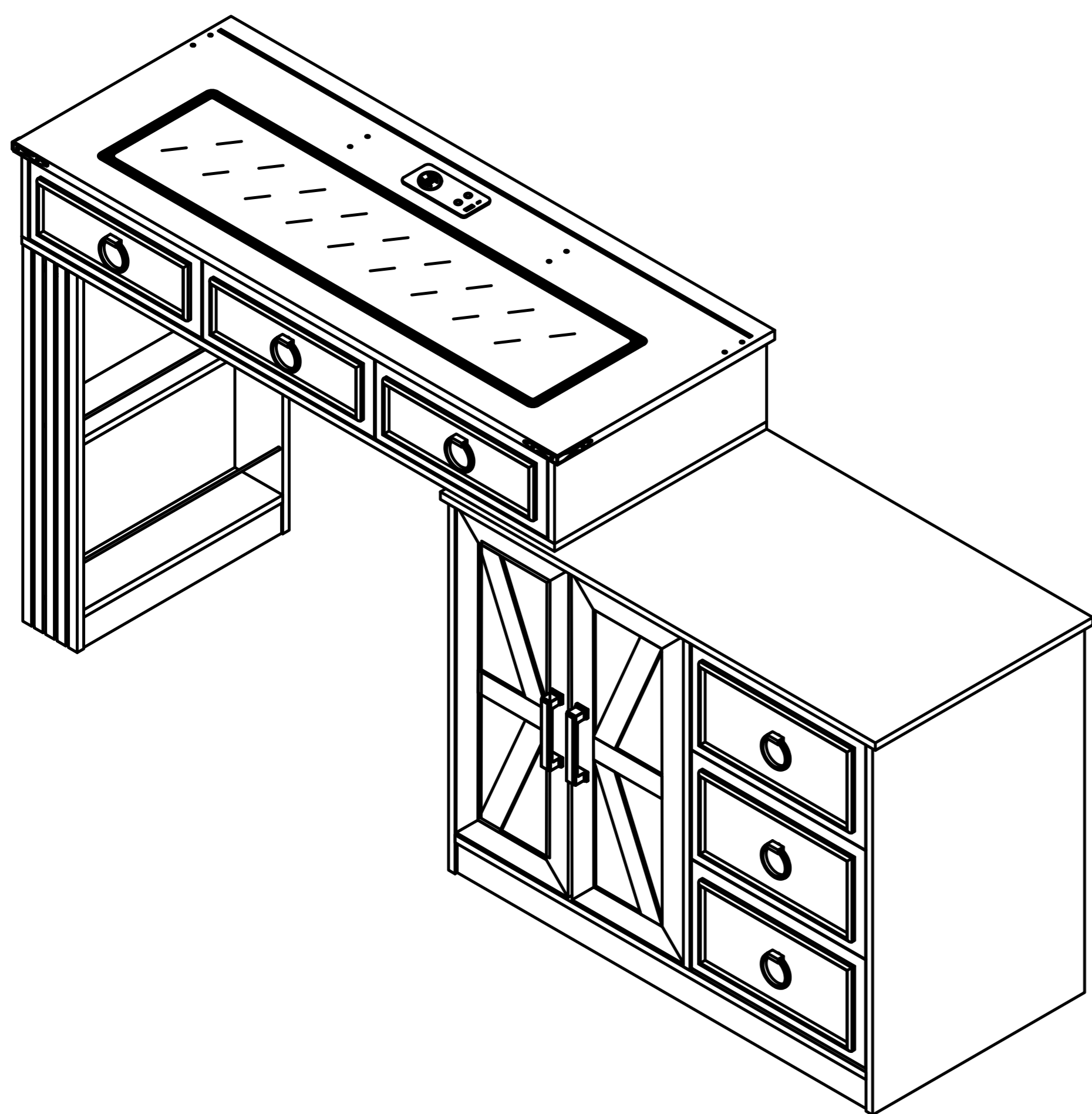
# Effect 2



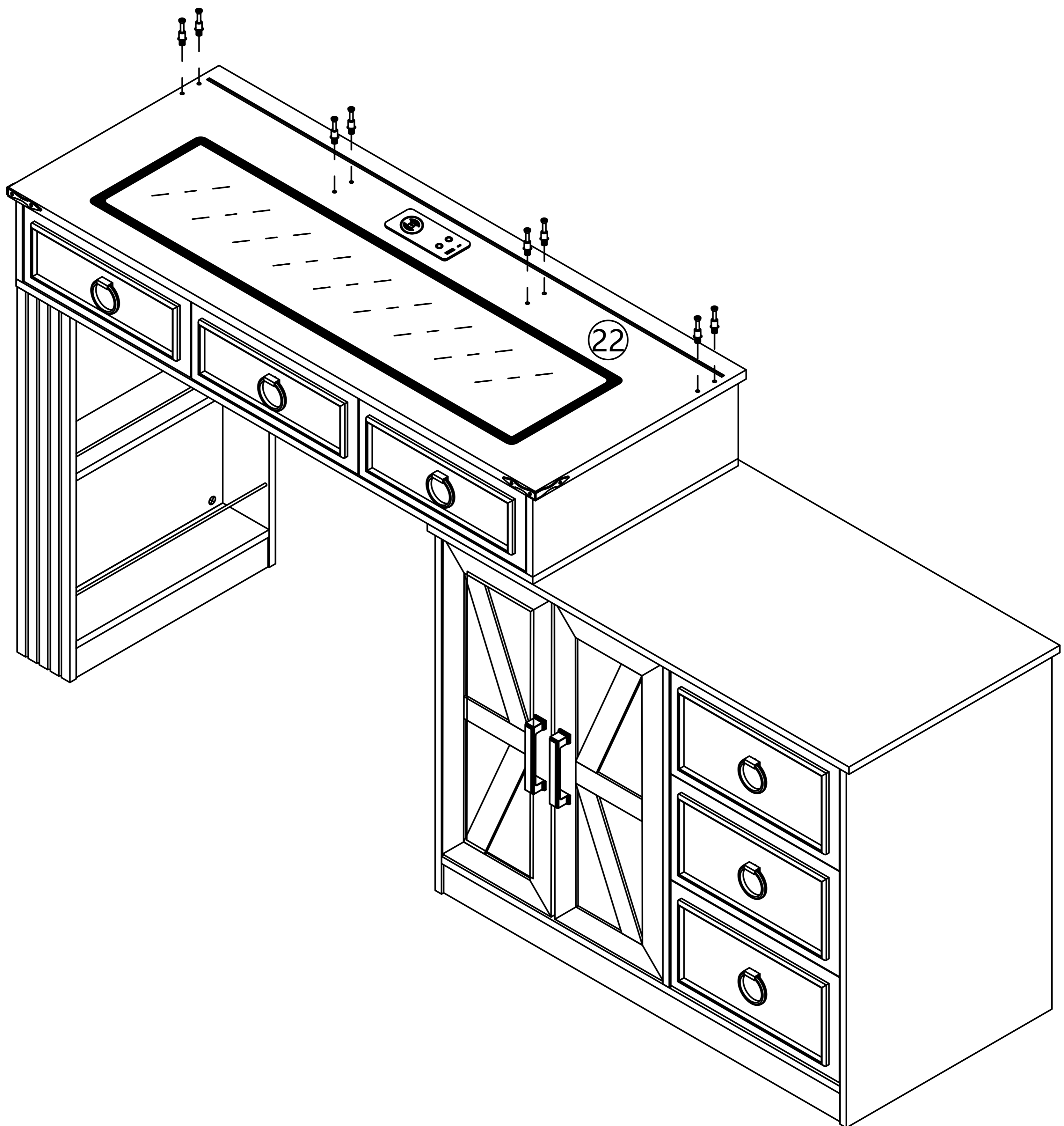
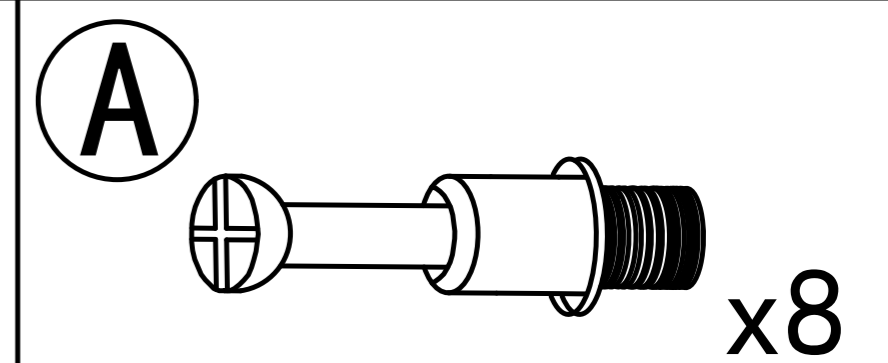
# Effect 3



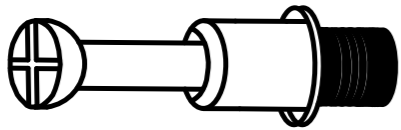

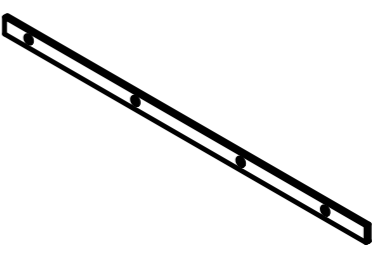
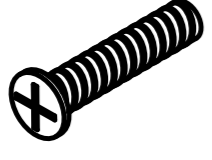
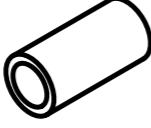
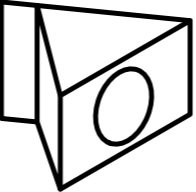

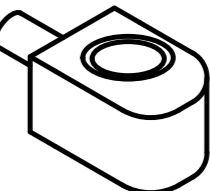



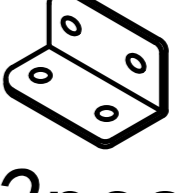
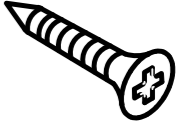
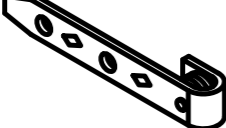
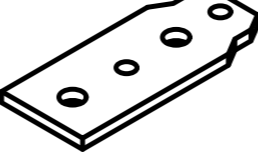




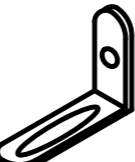


# Effect 4

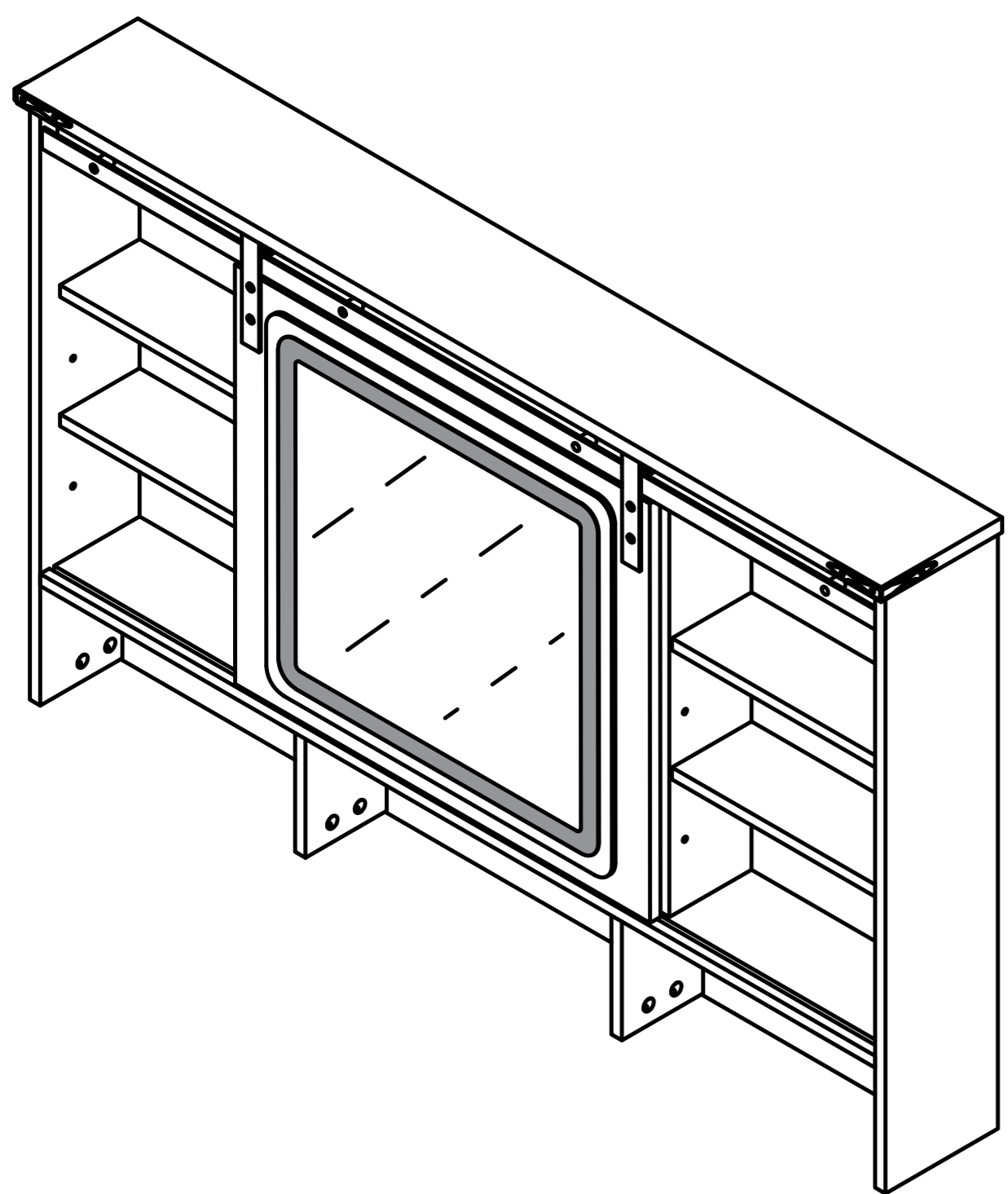
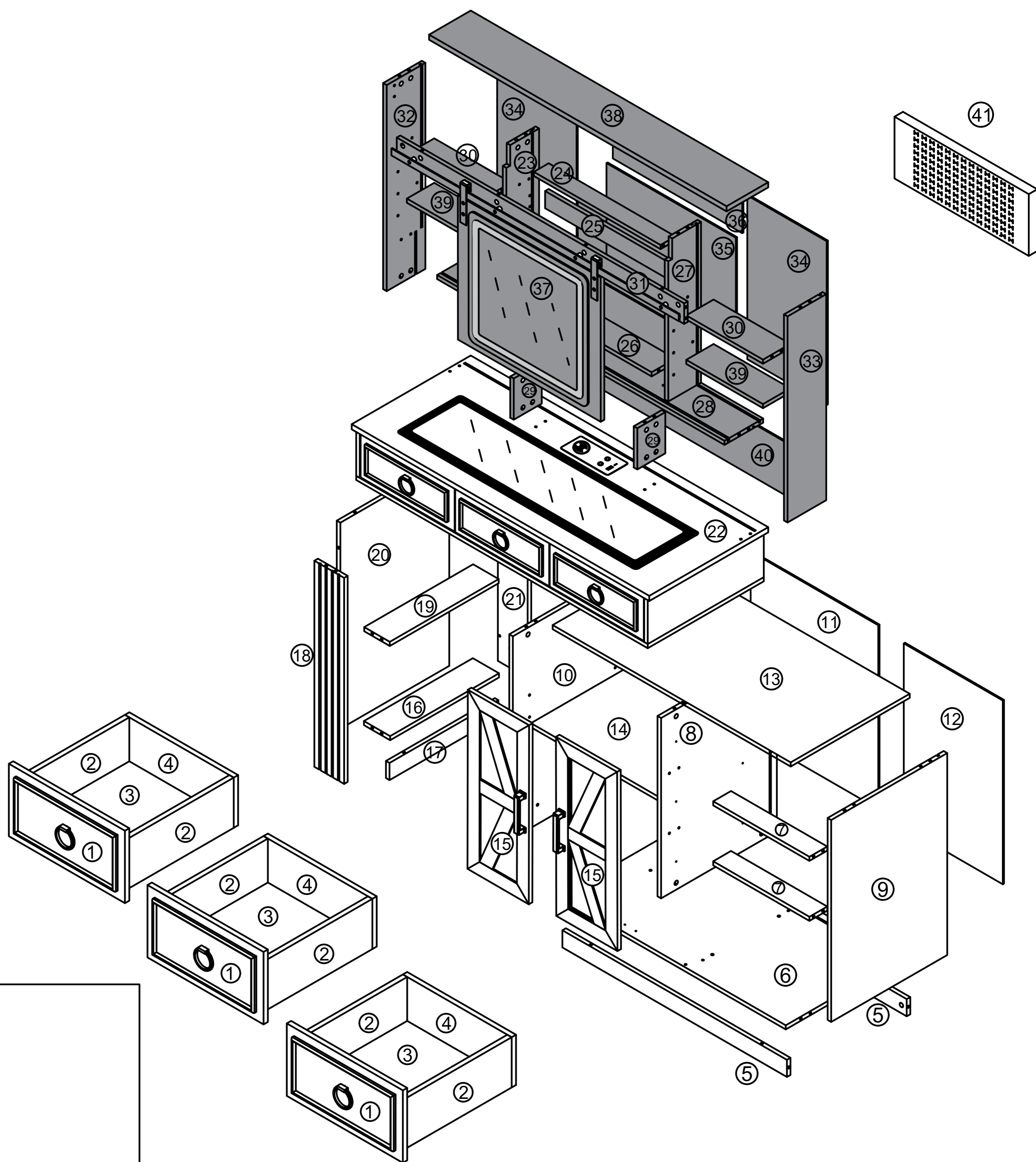


# Step 54

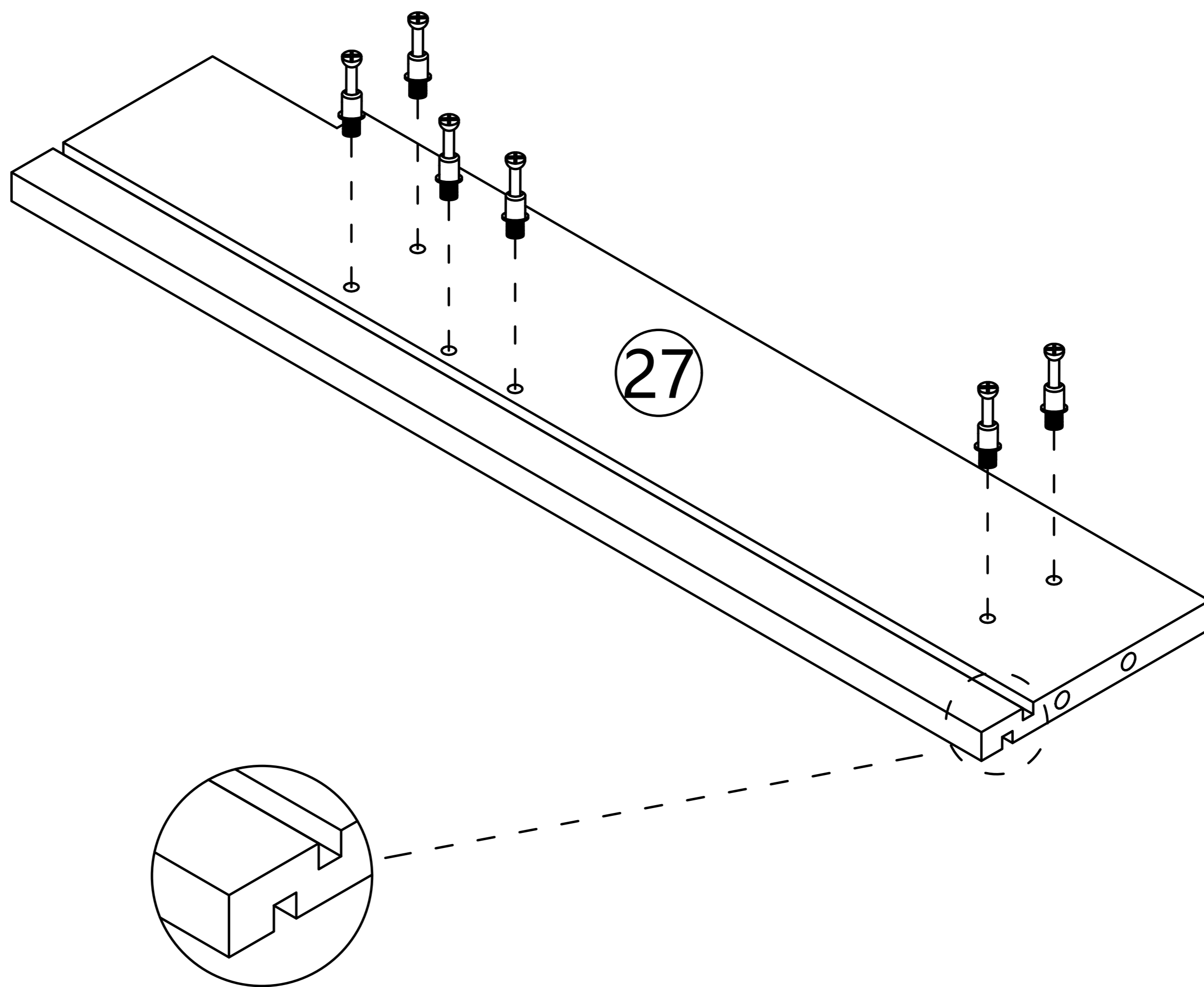
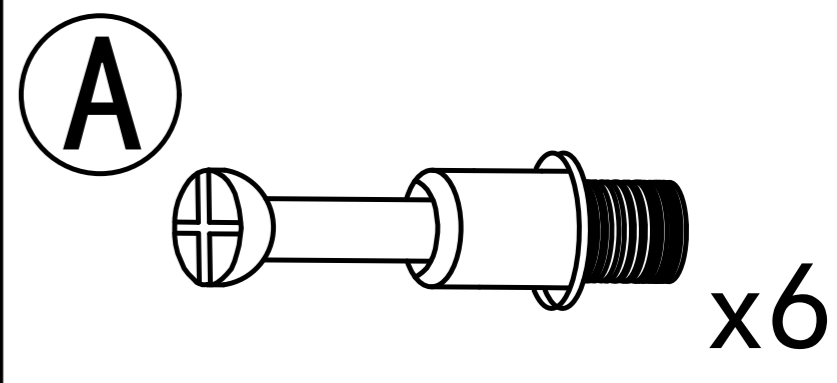


This placement method is only for installation display, the specific placement method depends on personal preference

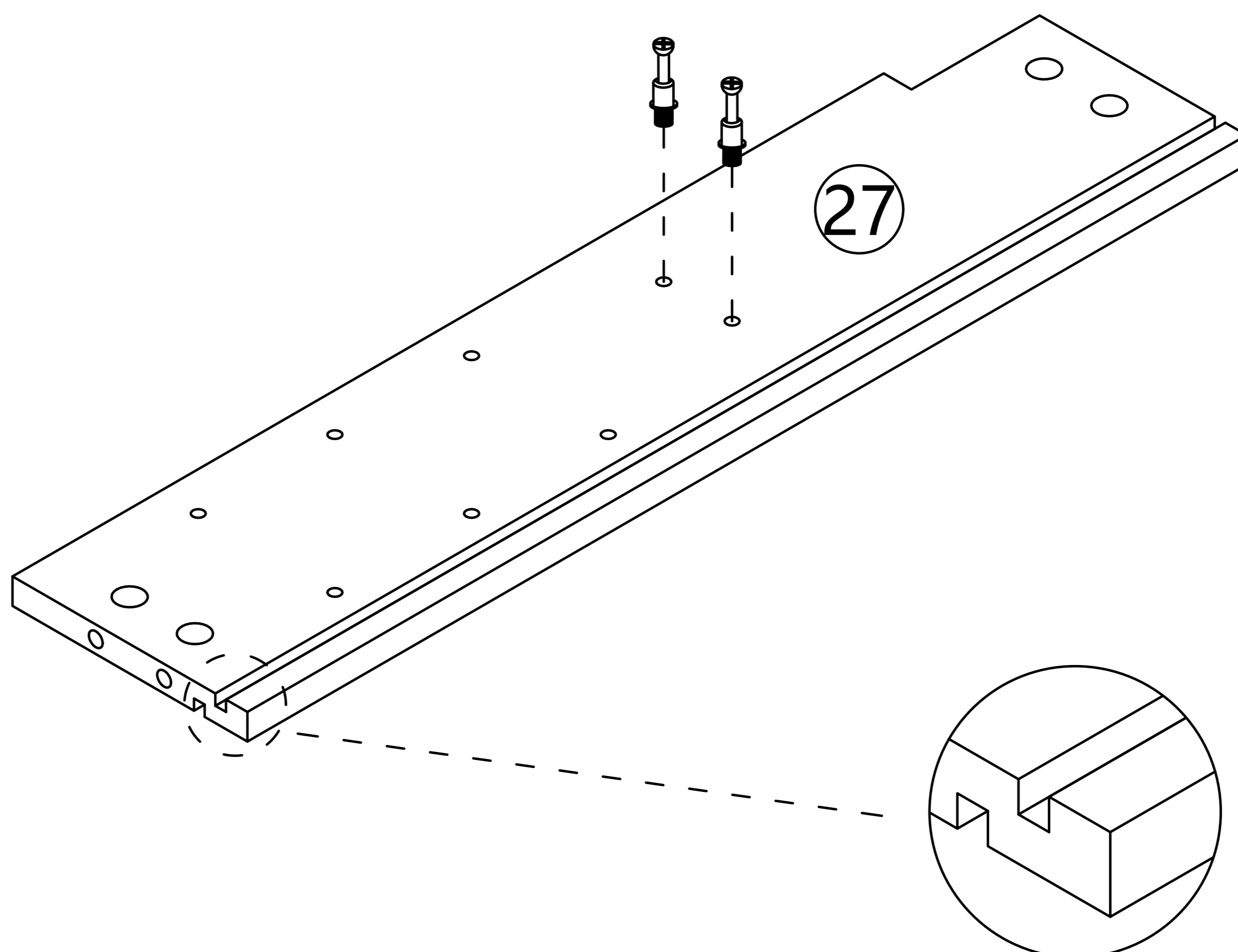
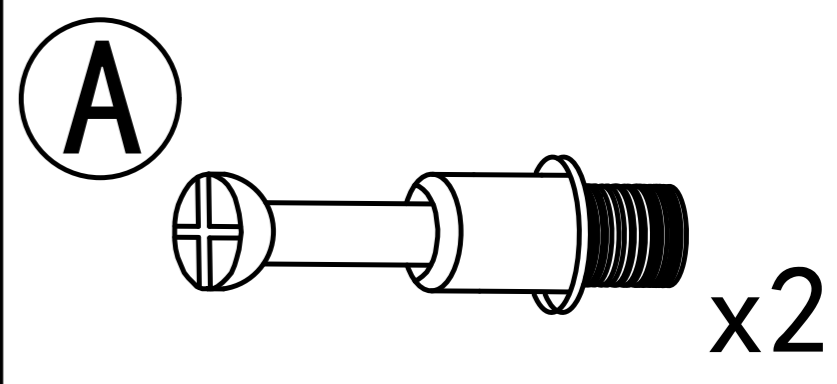
<b>A</b>		48pcs	<b>B</b>		56pcs	<b>G</b>		1pcs
<b>H</b>	 4pcs	 4pcs	<b>J</b>	 29pcs	 29pcs	<b>K</b>		8pcs
<b>L</b>		4pcs	<b>O</b>	 6pcs	 6pcs	<b>R</b>	 2pcs	 8pcs
<b>S</b>		2pcs	<b>T</b>		2pcs	<b>U</b>		4pcs
<b>V</b>		4pcs	<b>W</b>	 2pcs	 4pcs	 2pcs	 (3.5x14mm) 2pcs	 (4x45mm) 2pcs



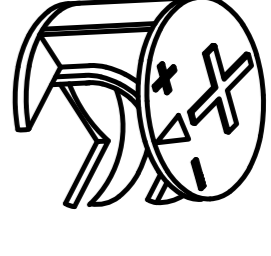
Step 55

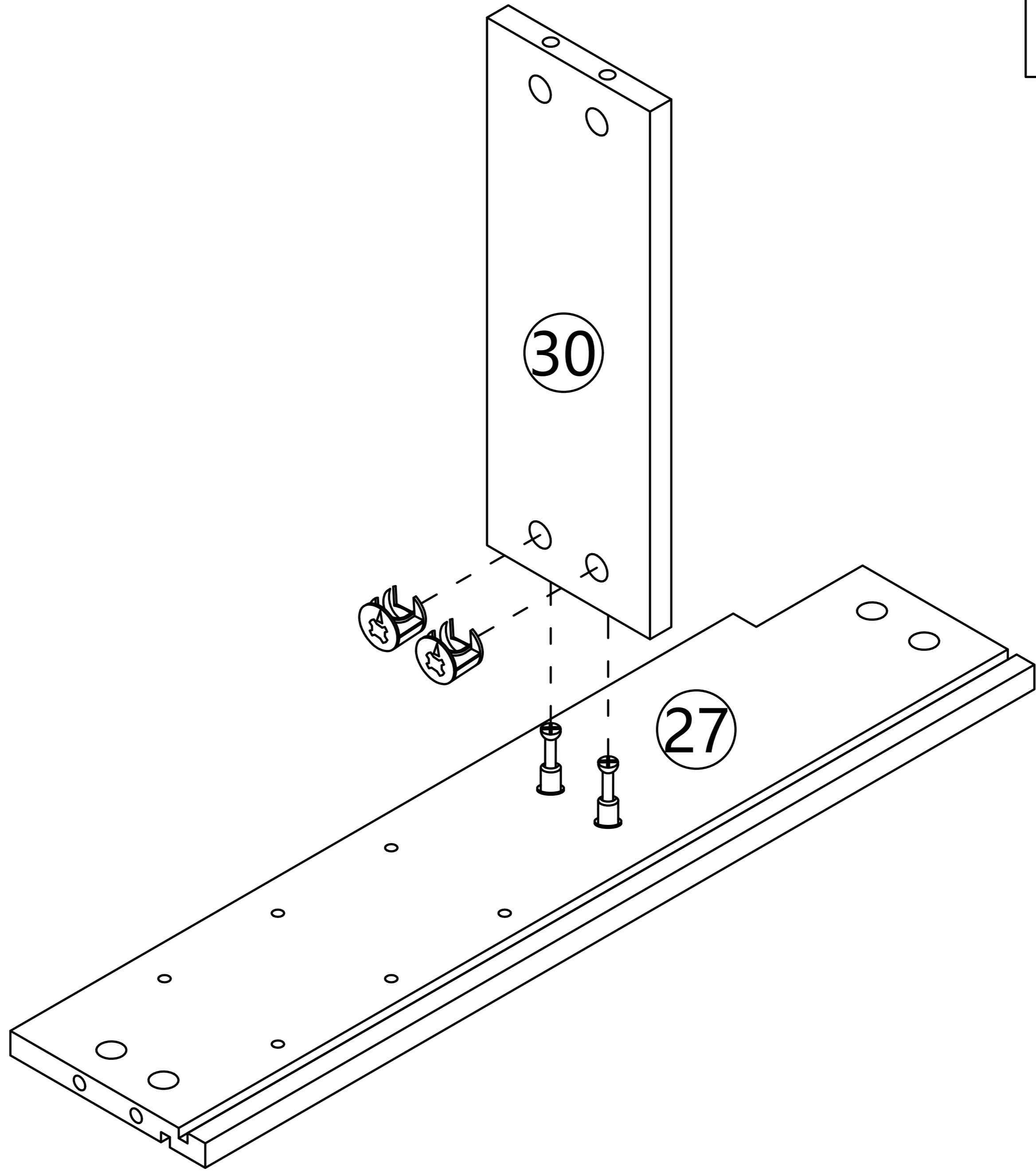


Step 56

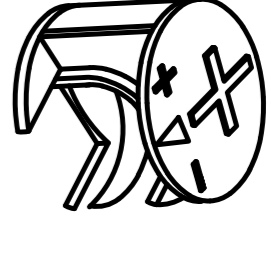


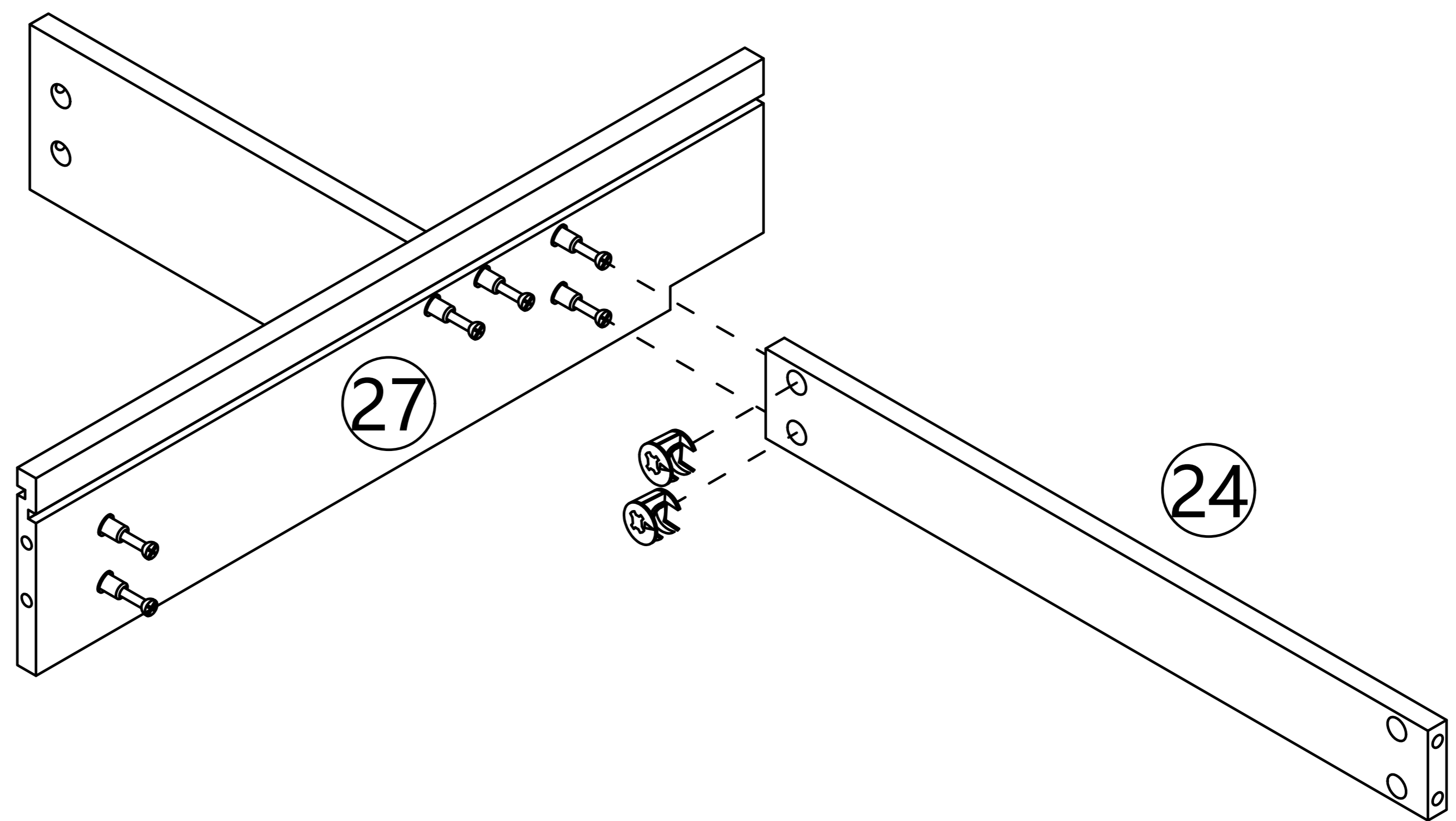
Step 57

**B**  x2

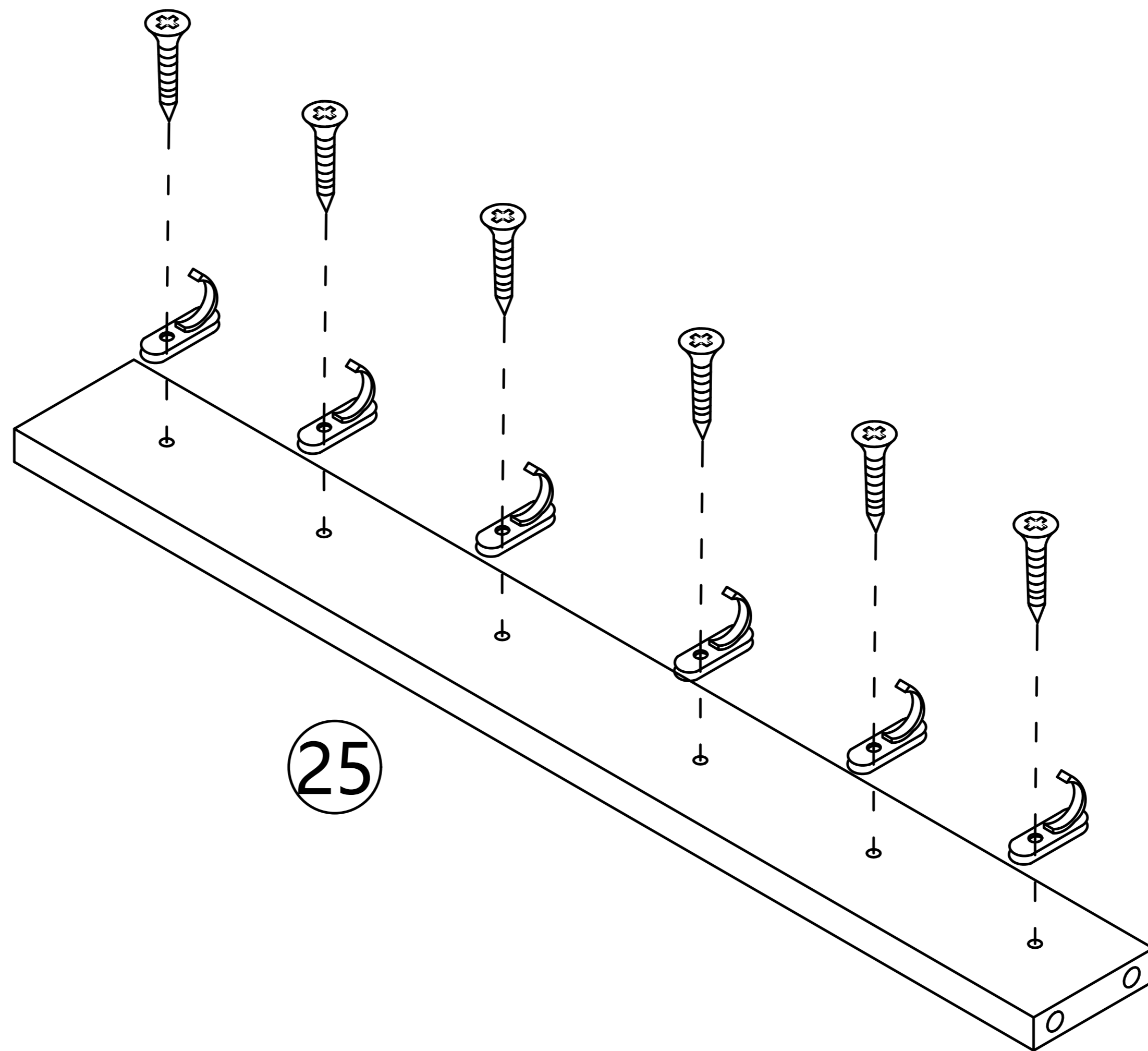
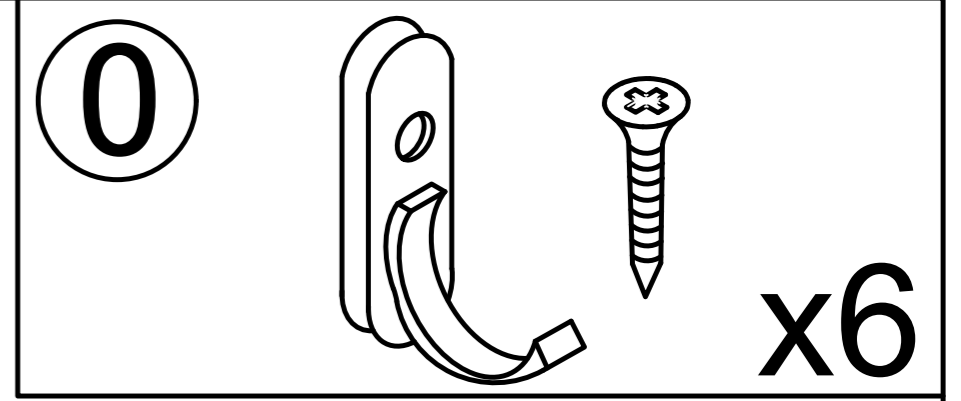


Step 58

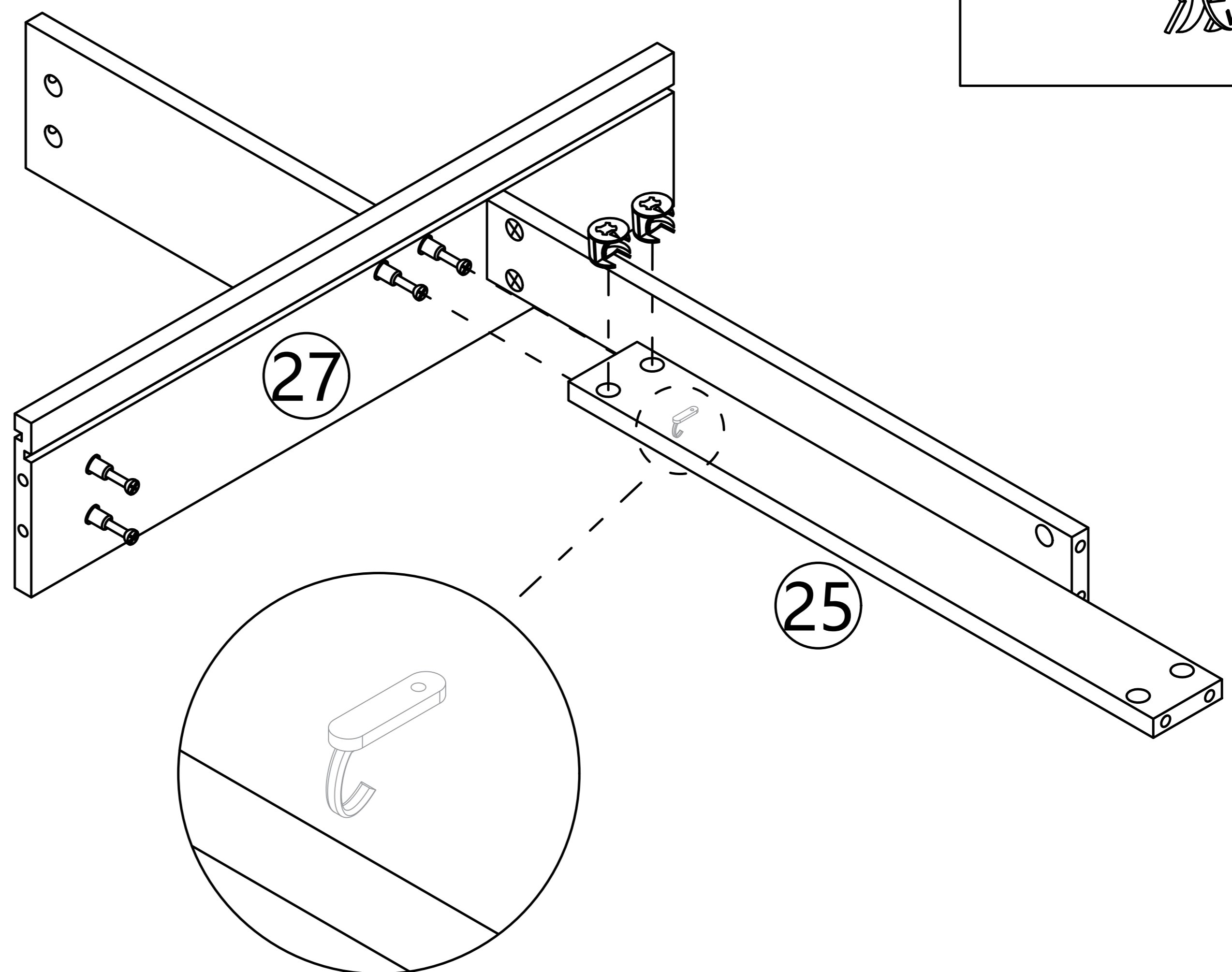
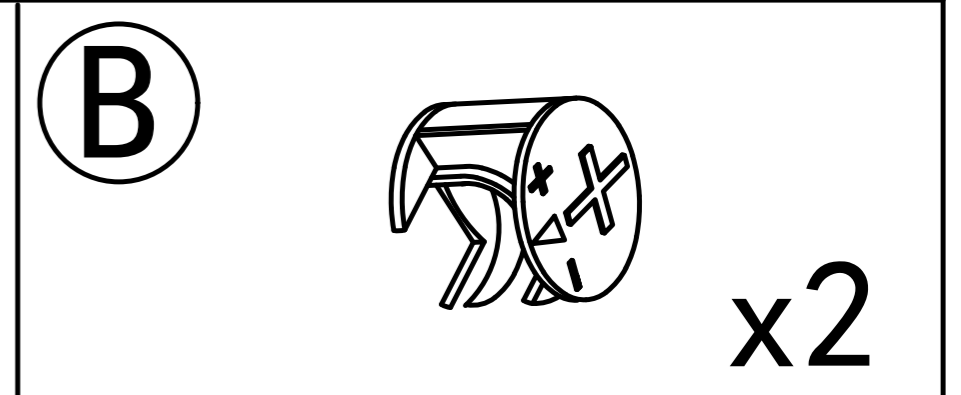
**B**  x2



# Step 59

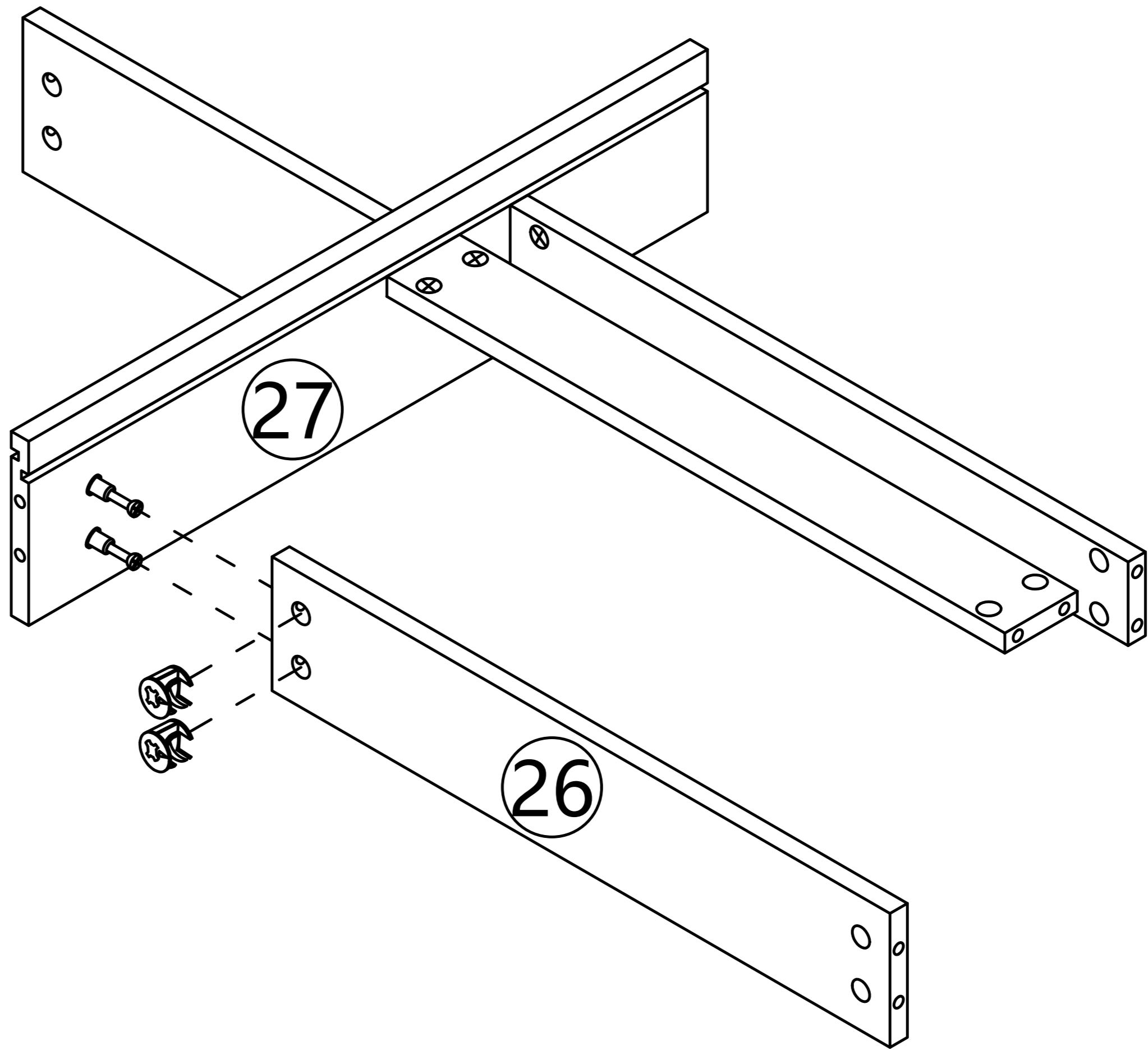
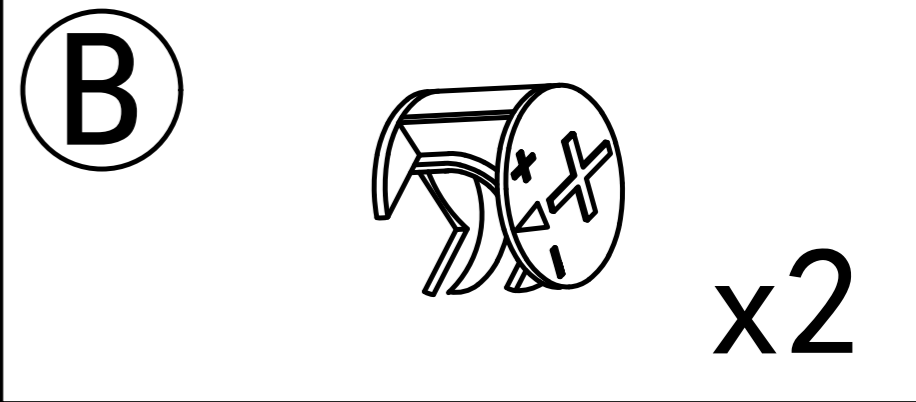


# Step 60

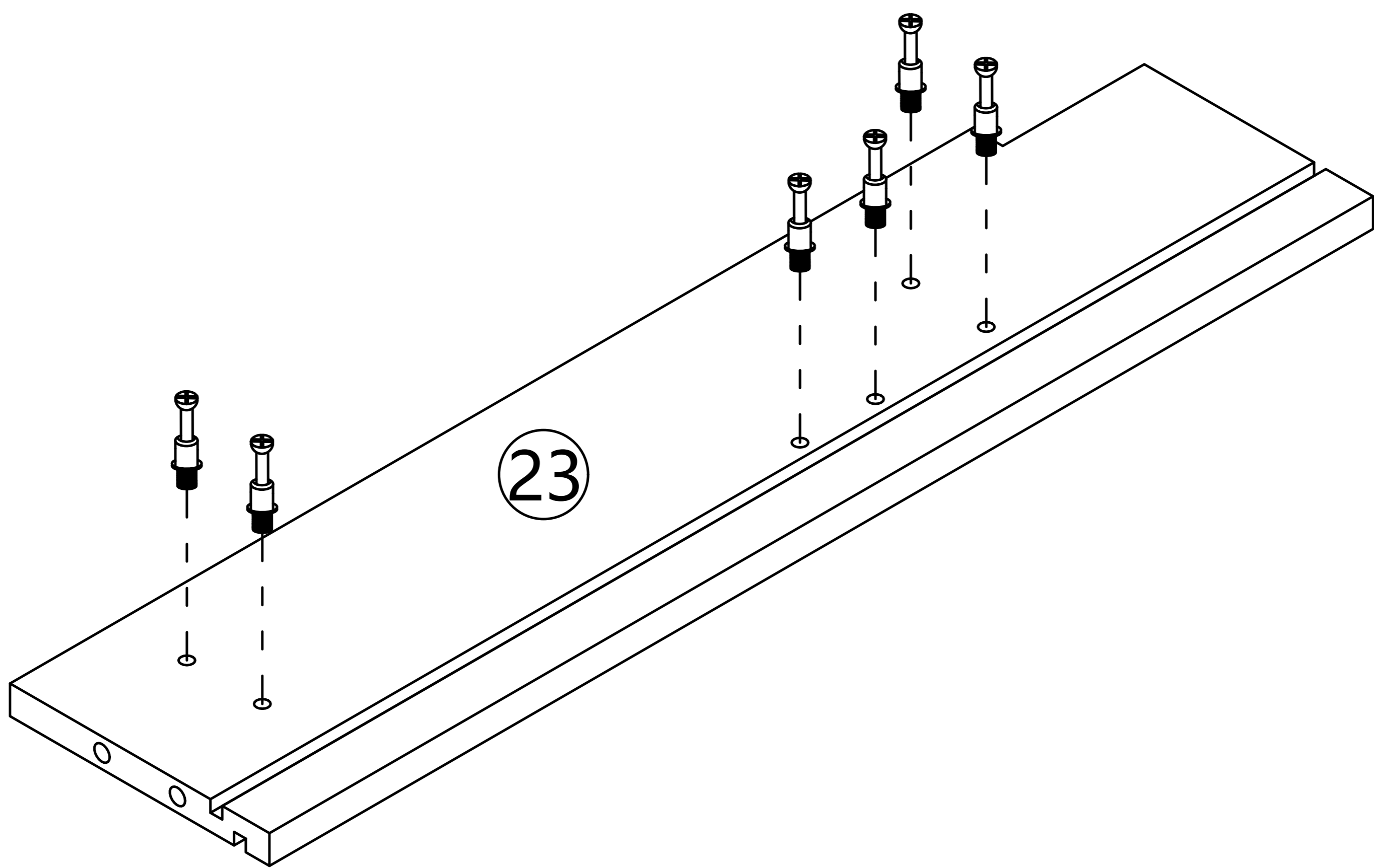
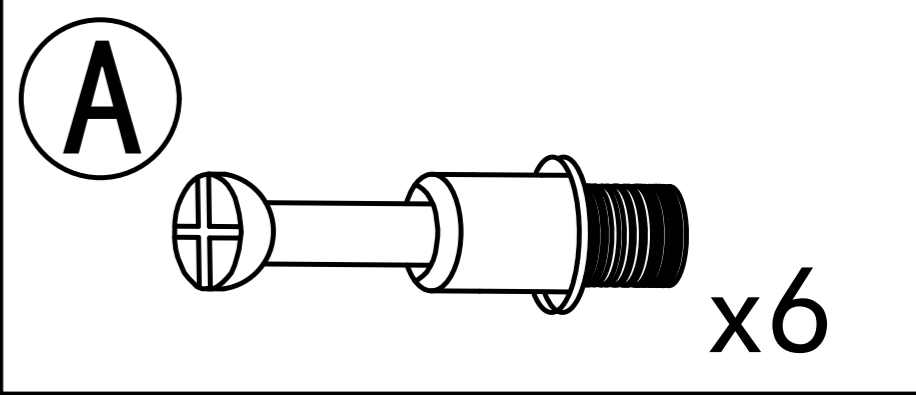


Attention: When installing the 25 boards, pay attention to the direction of the single hook

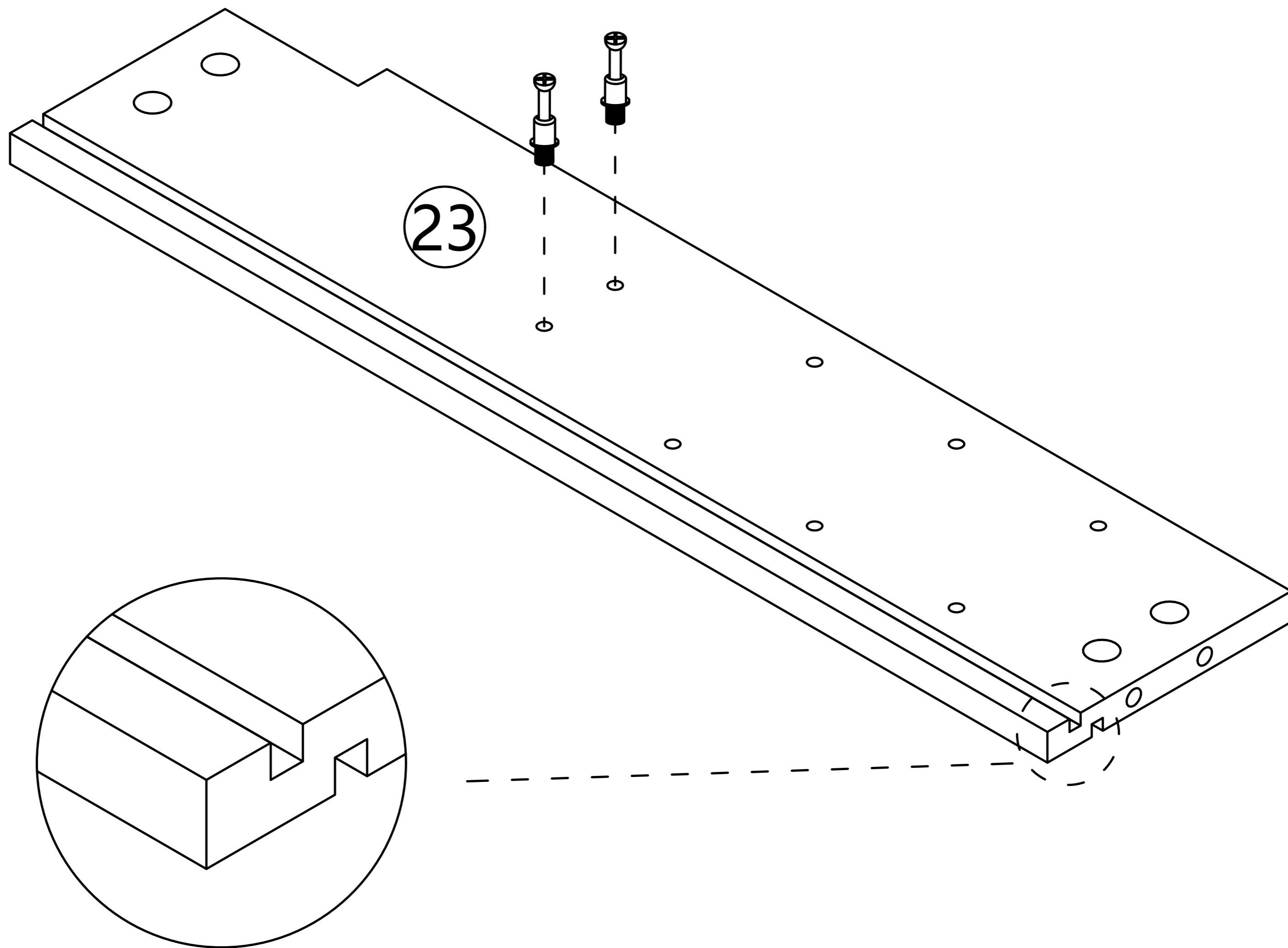
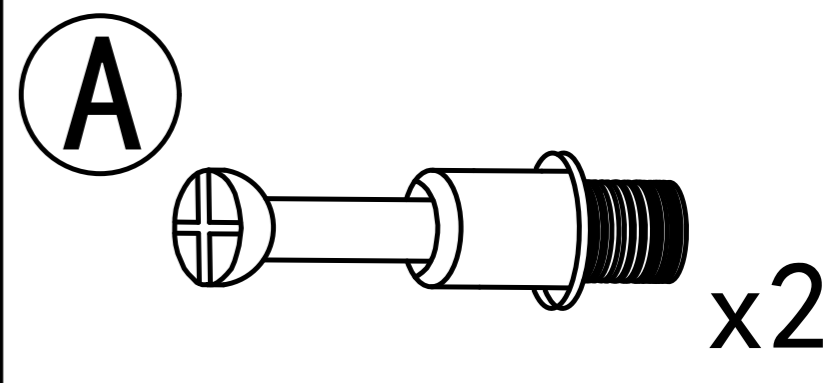
Step 61



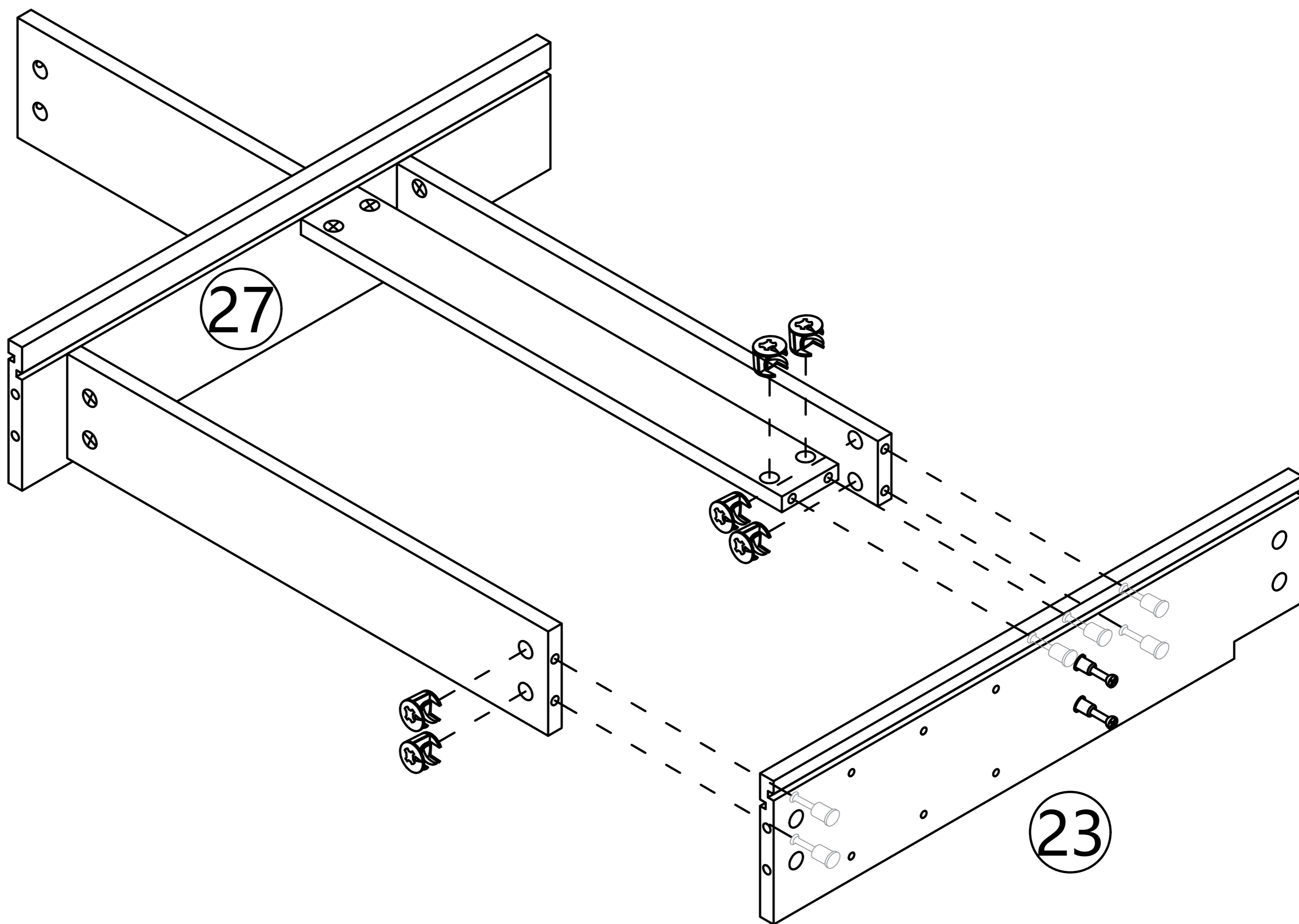
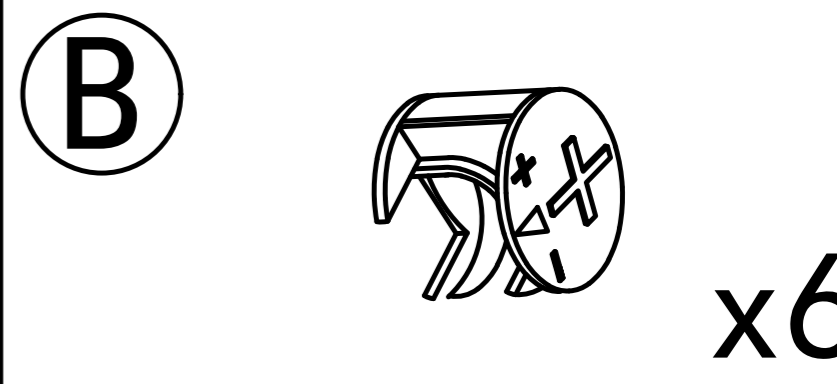
Step 62



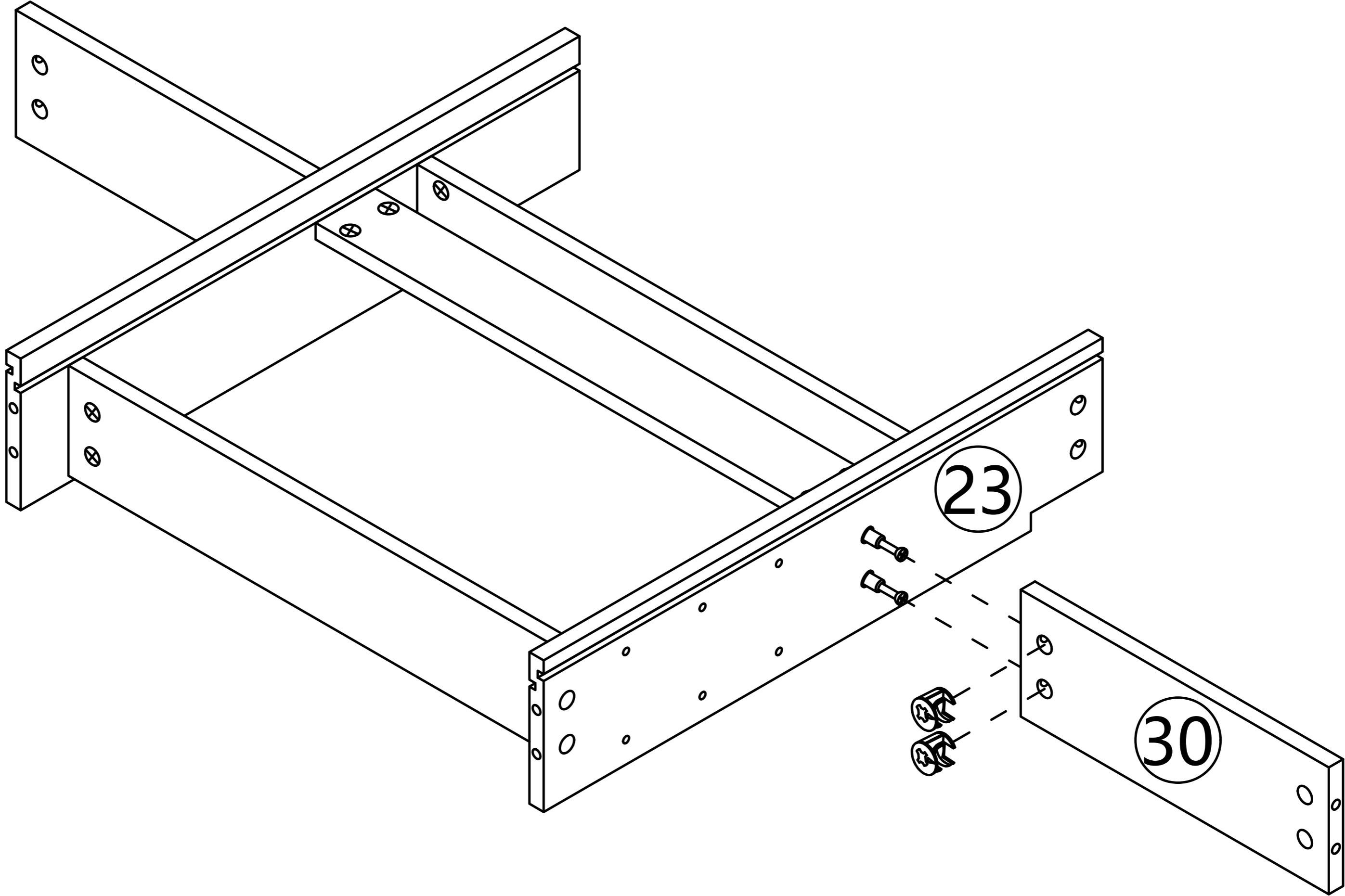
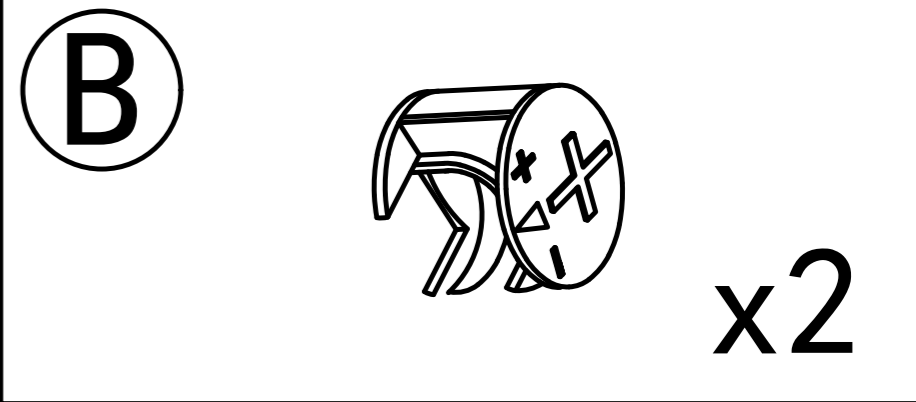
Step 63



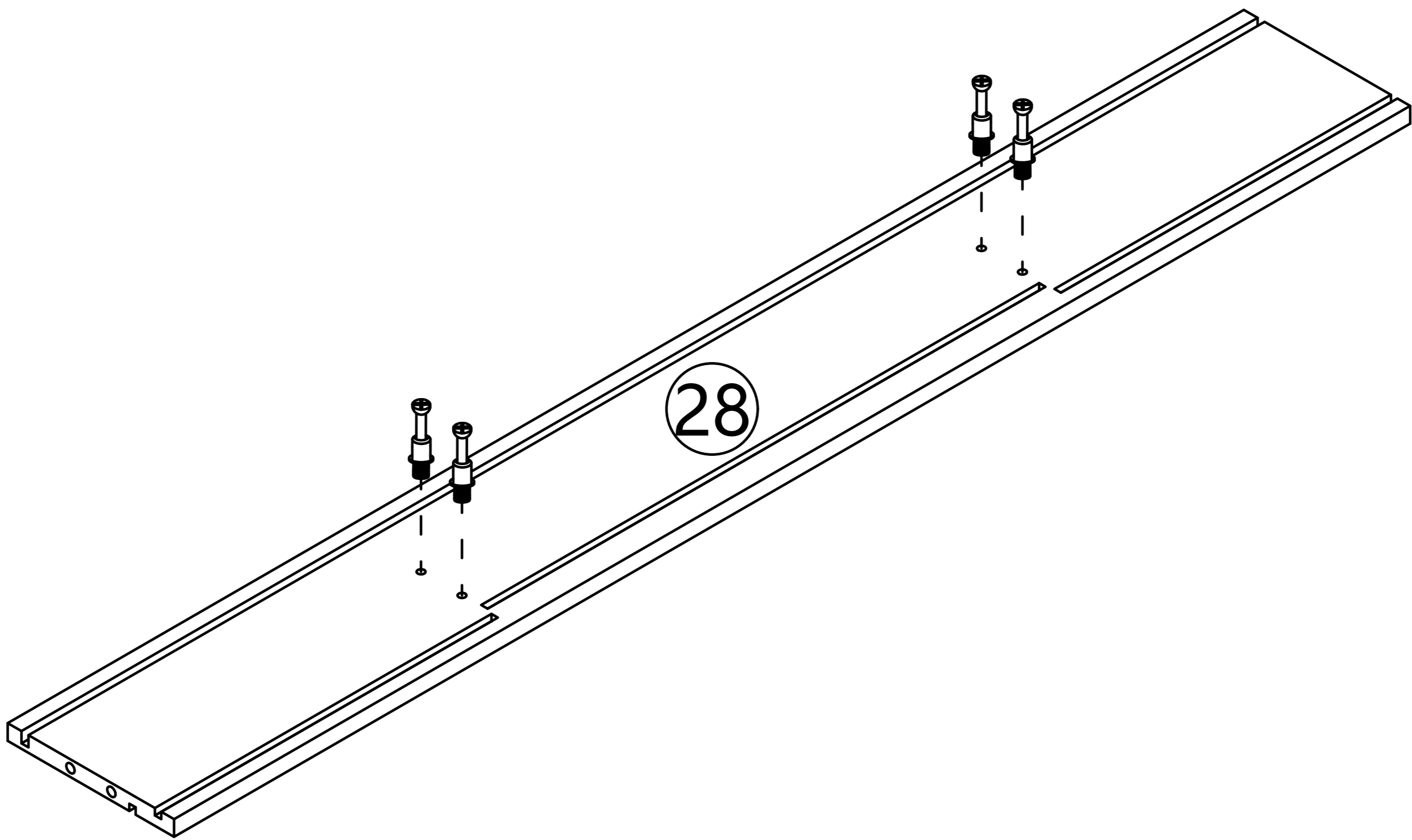
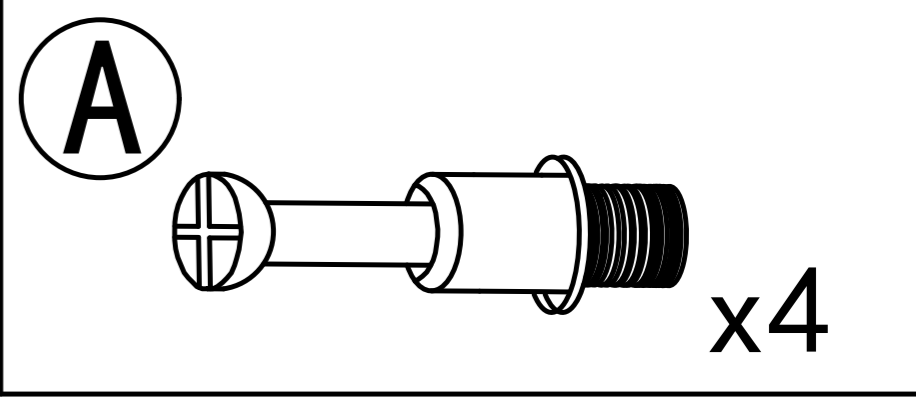
Step 64



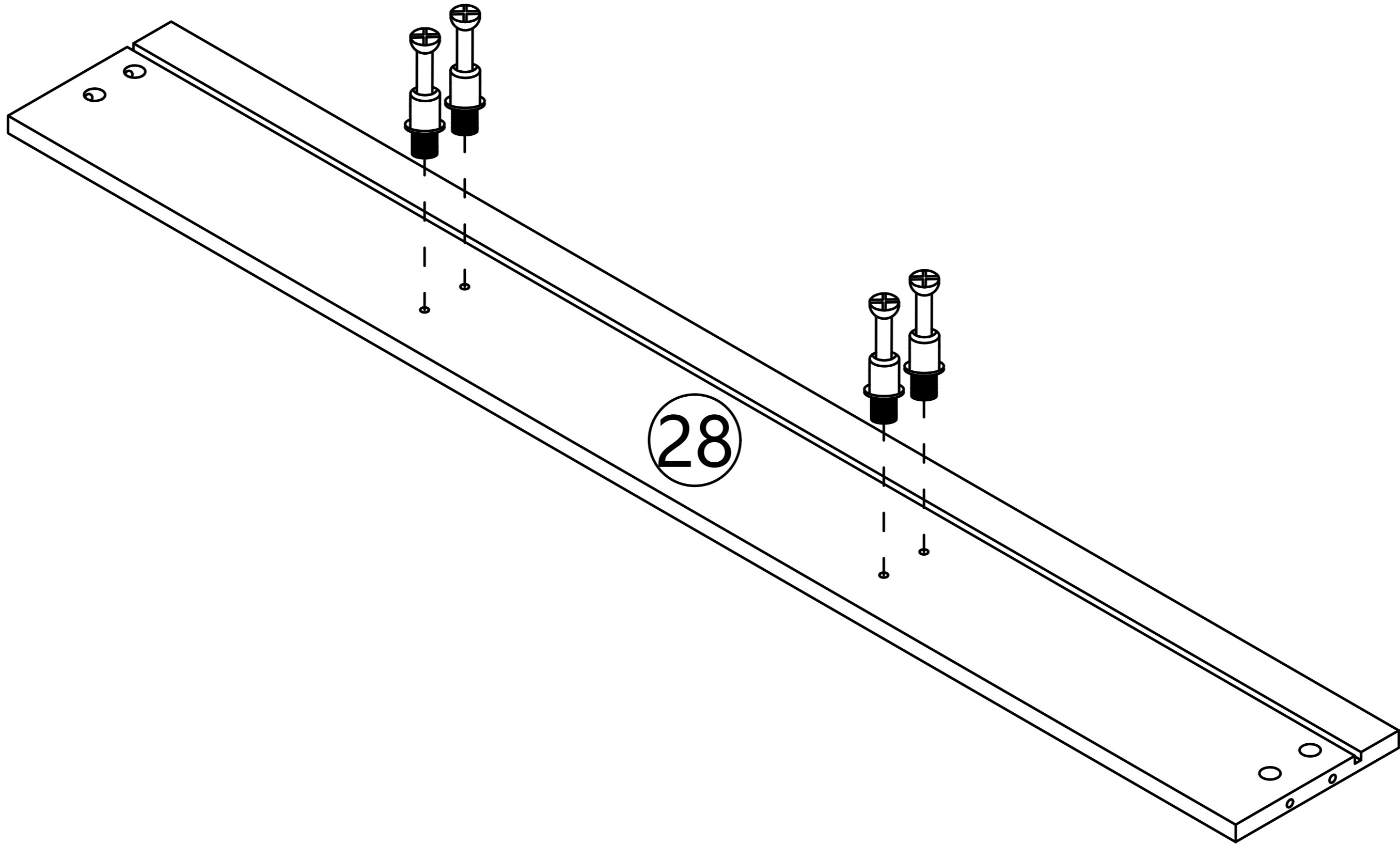
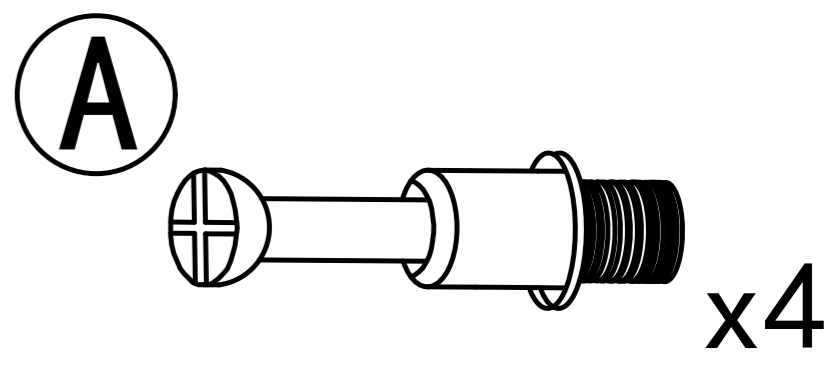
Step 65



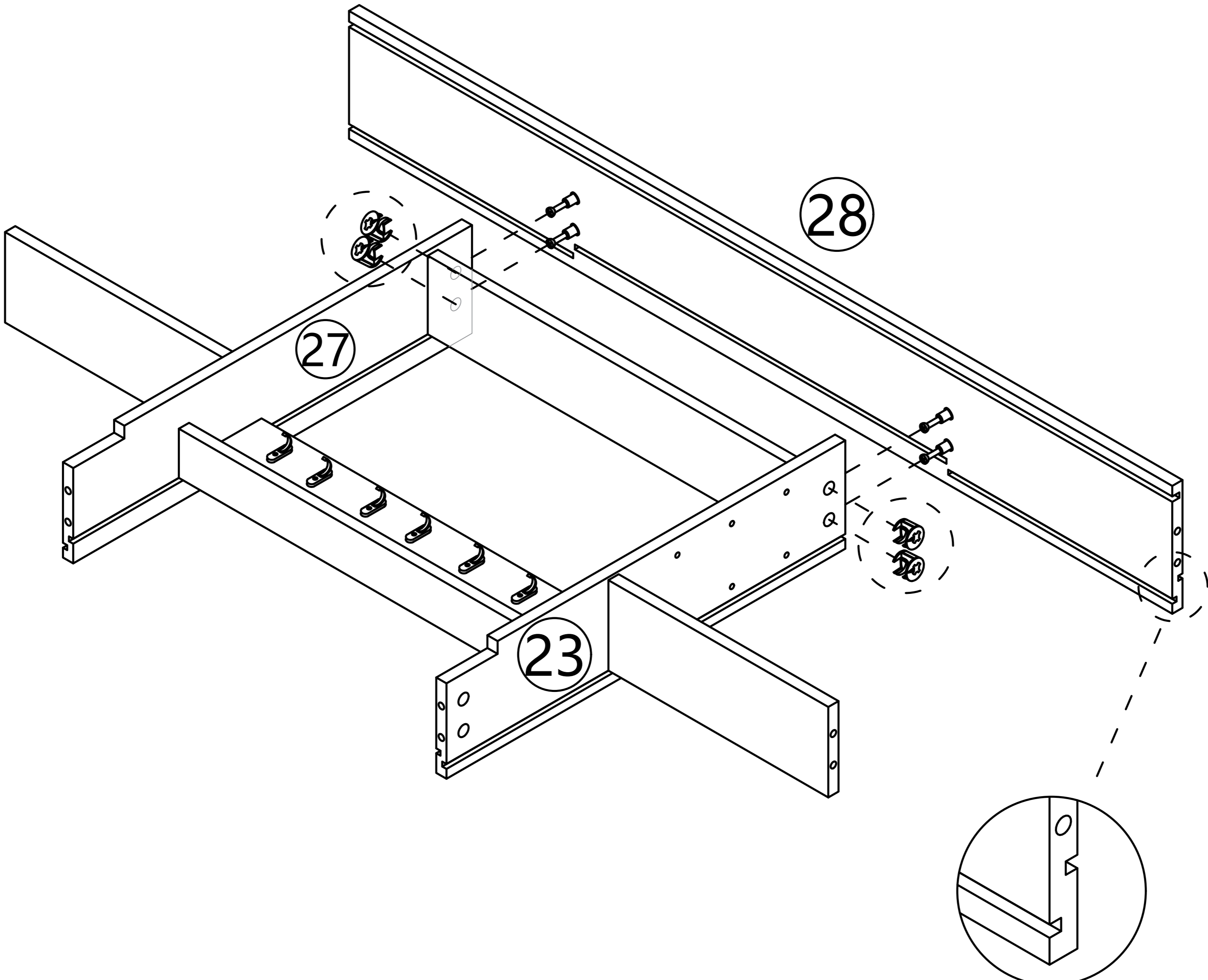
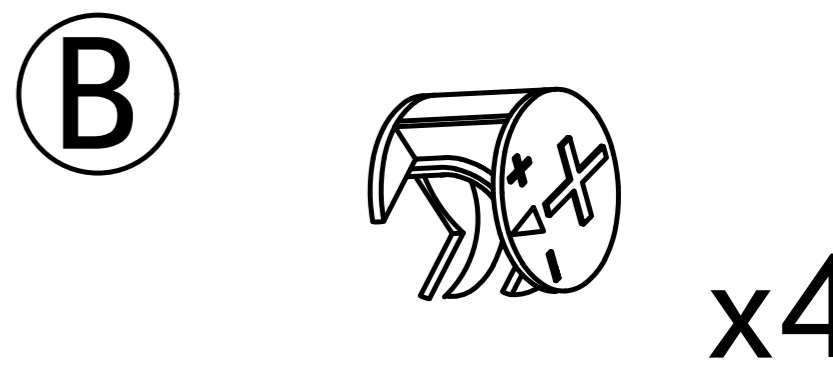
Step 66



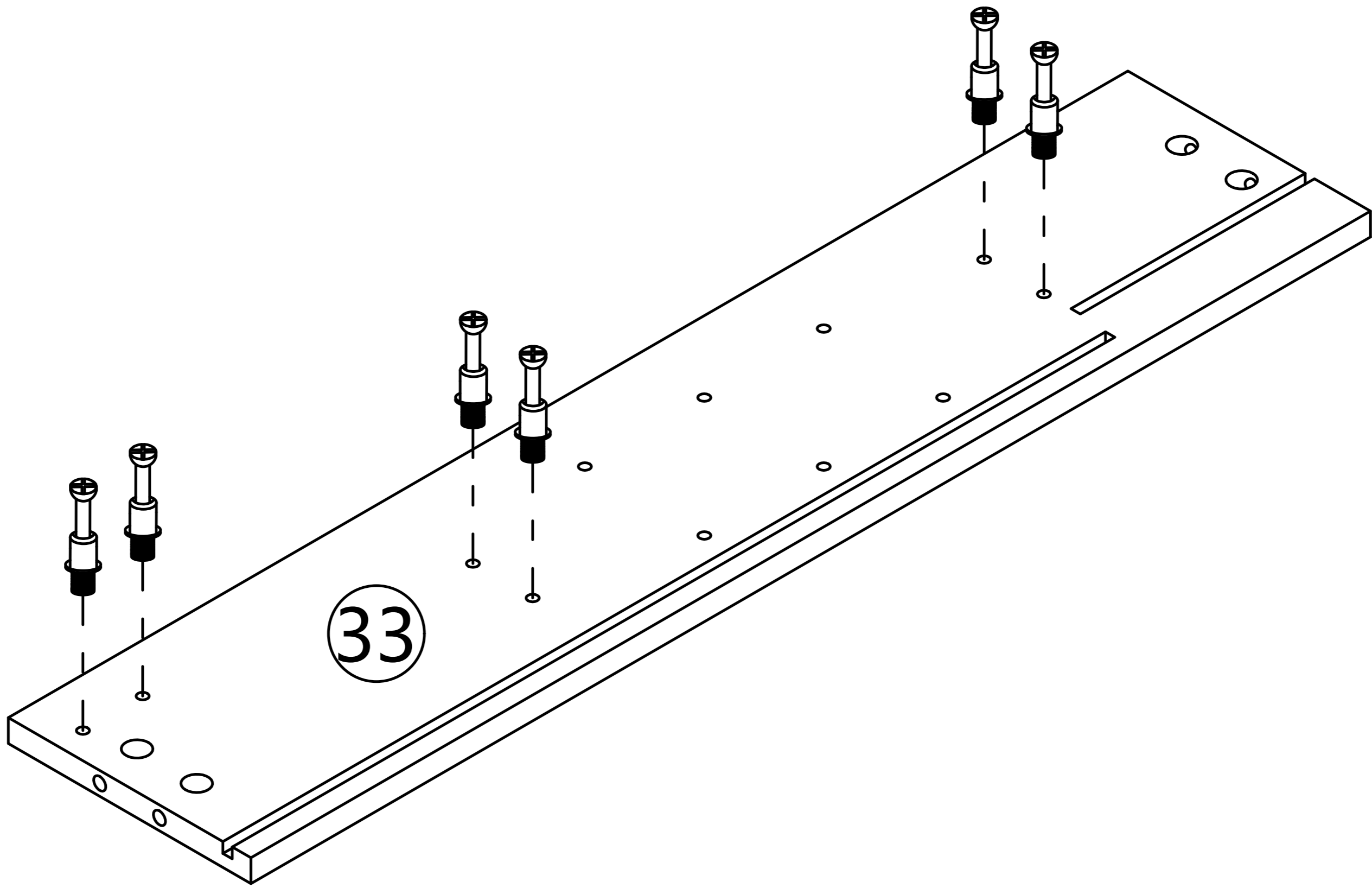
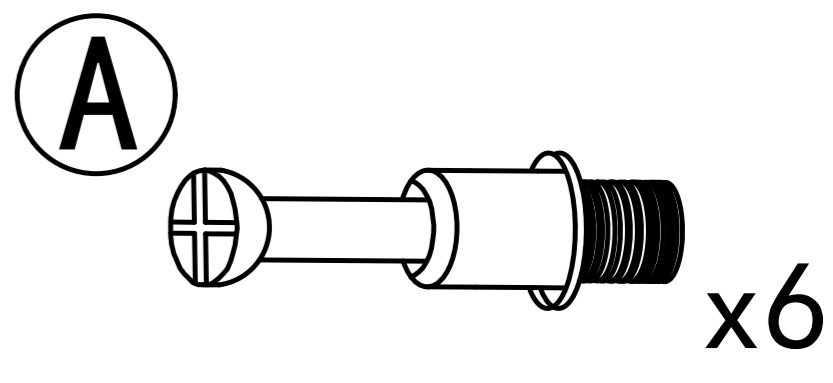
Step 67



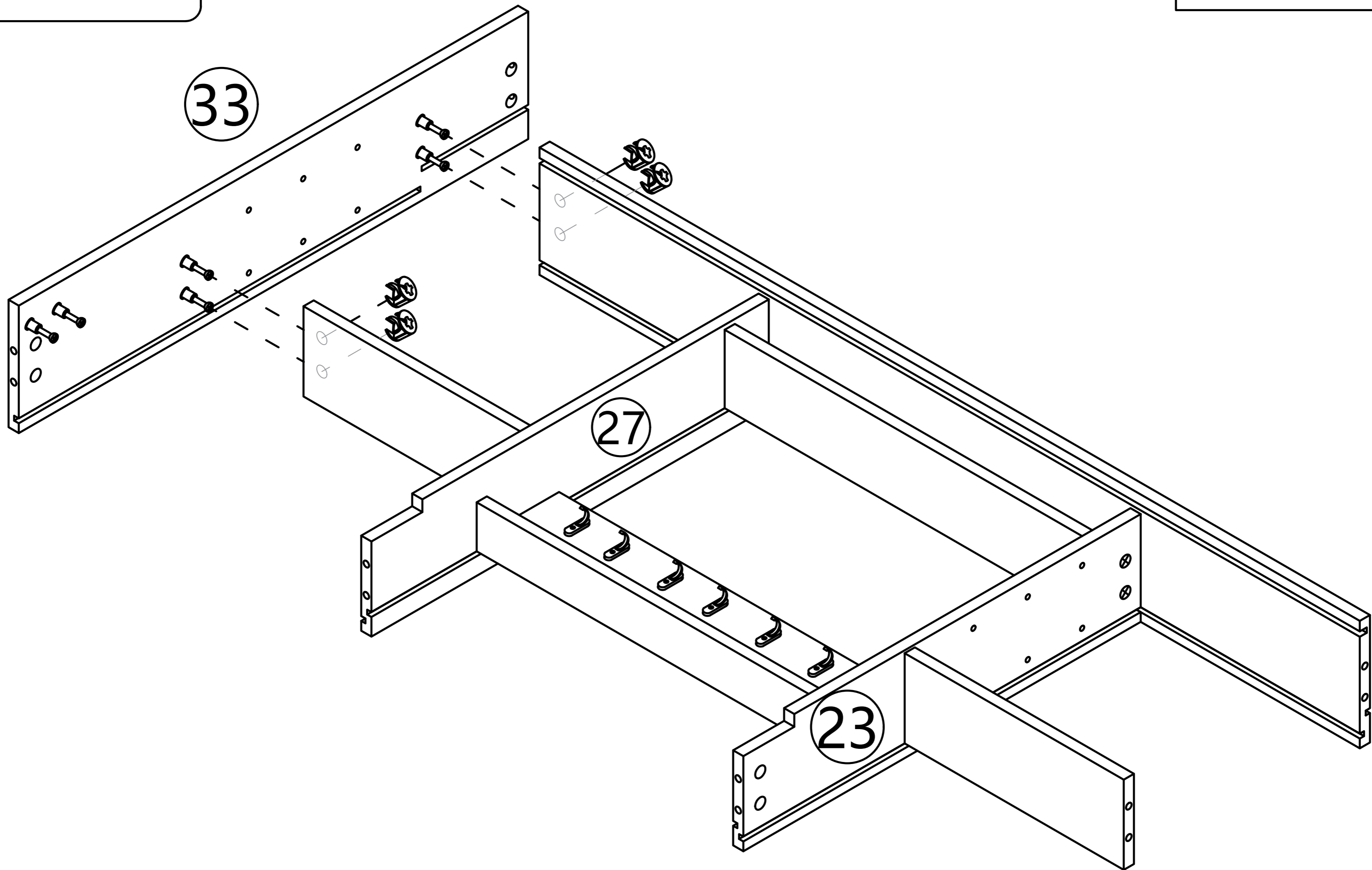
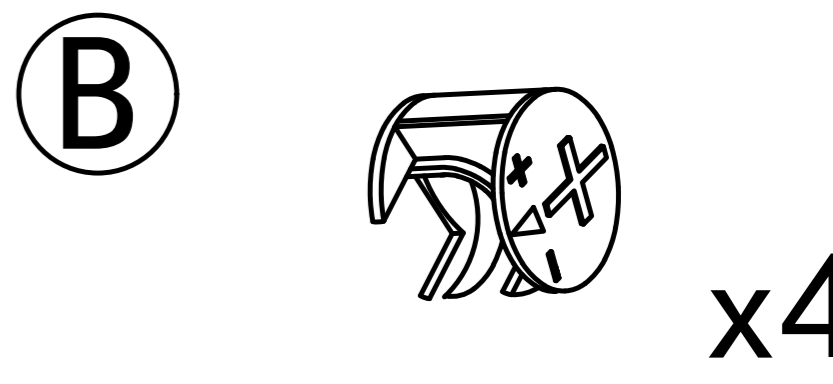
Step 68



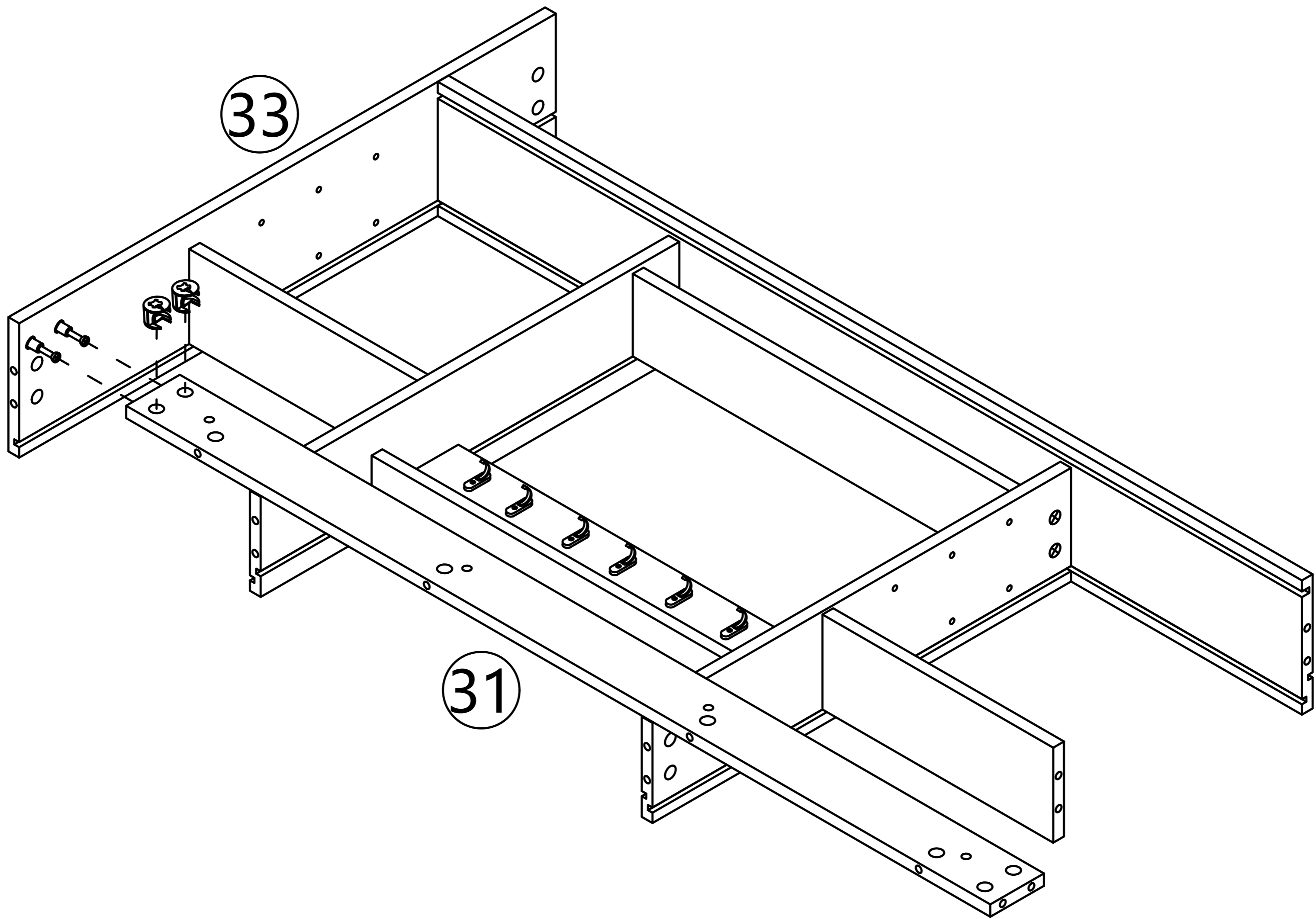
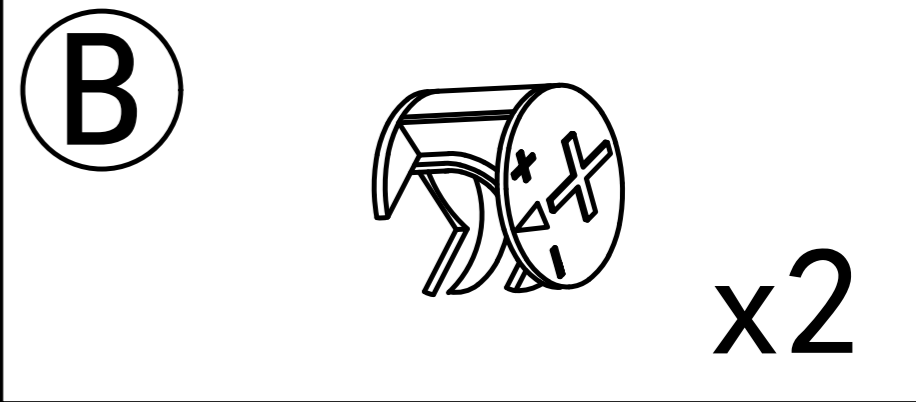
Step 69



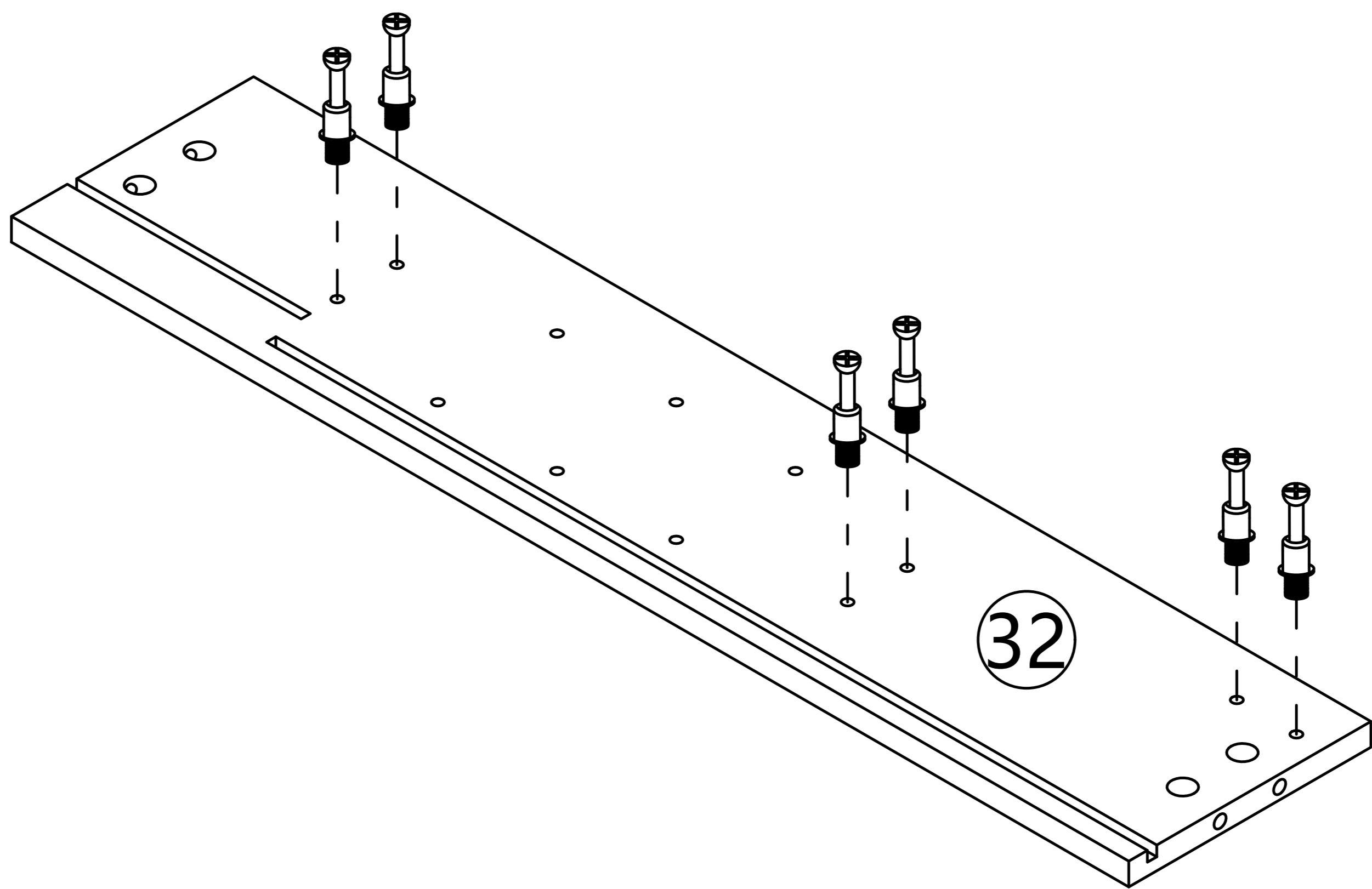
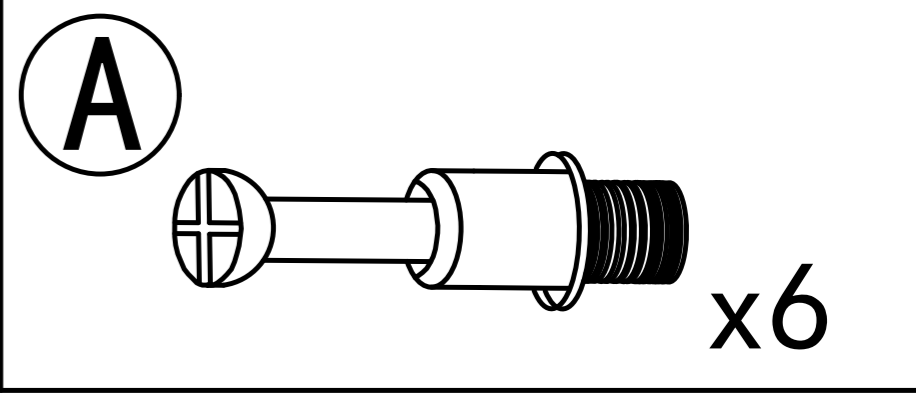
Step 70



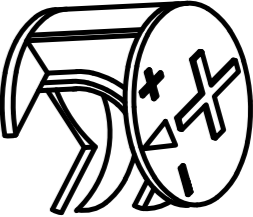
Step 71

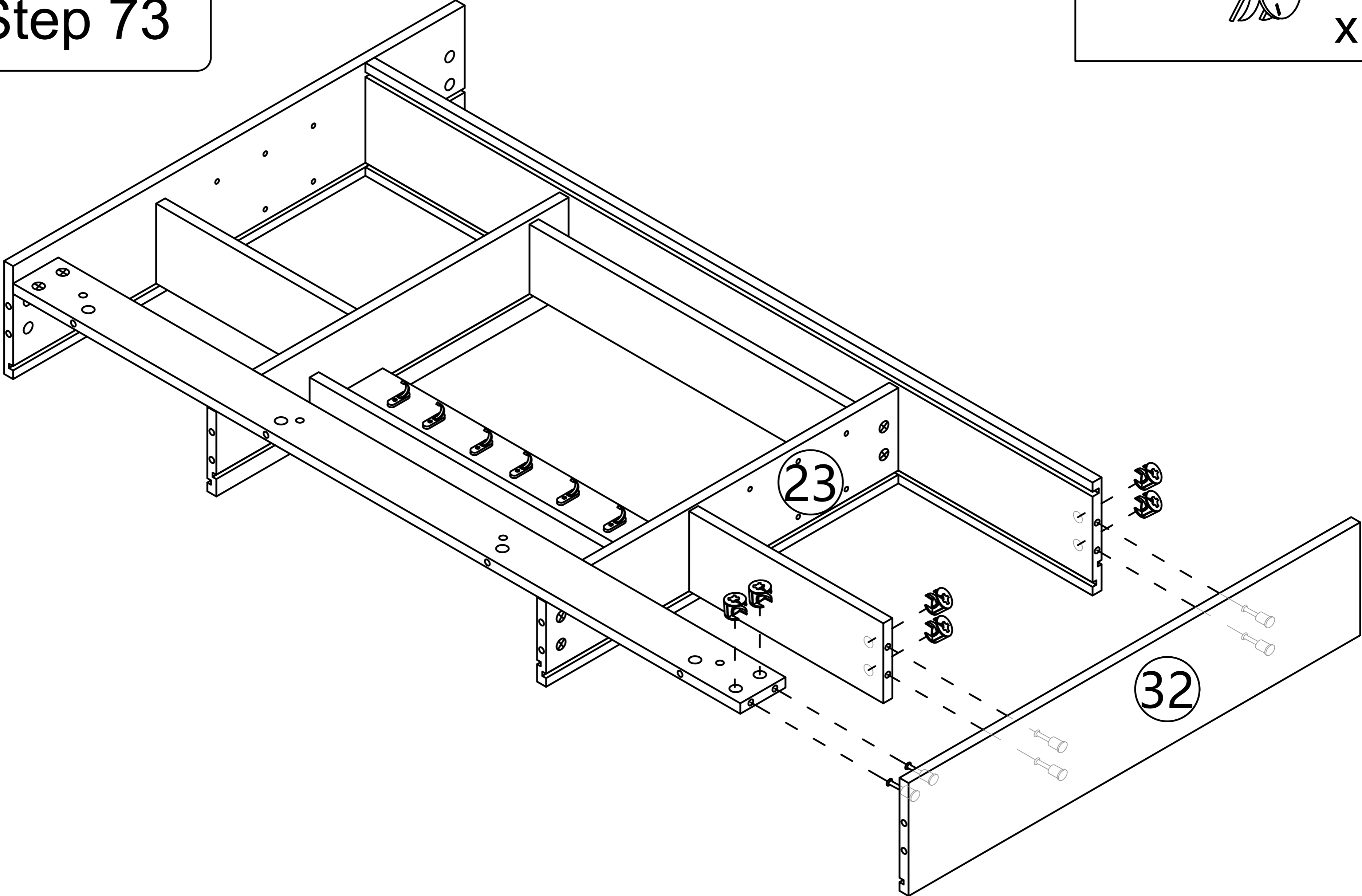


Step 72

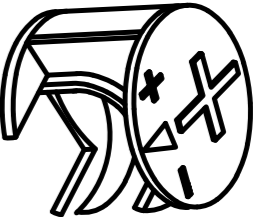


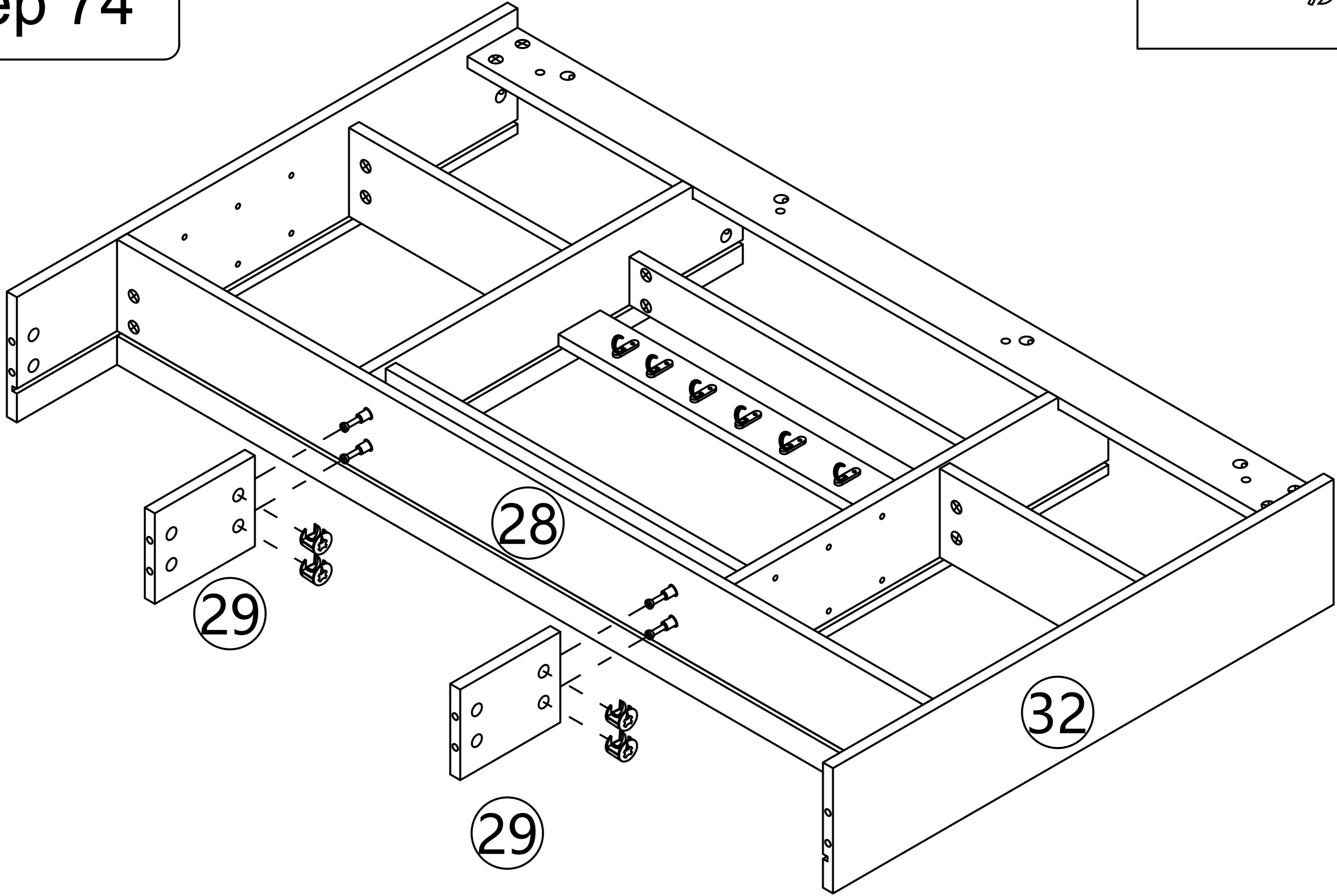
Step 73

(B)  x6

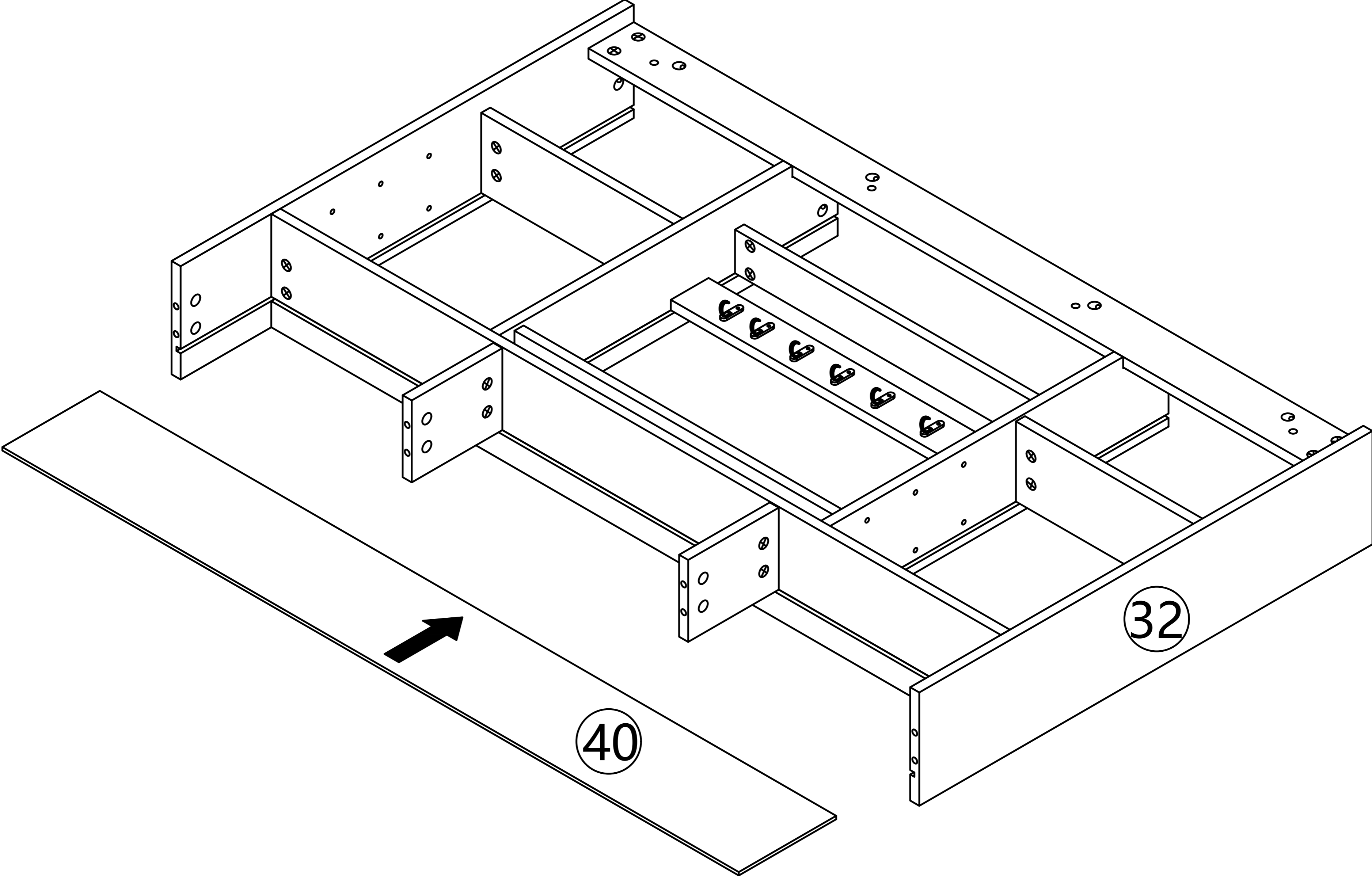


Step 74

(B)  x4

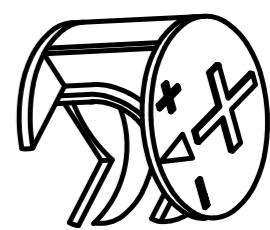


Step 75

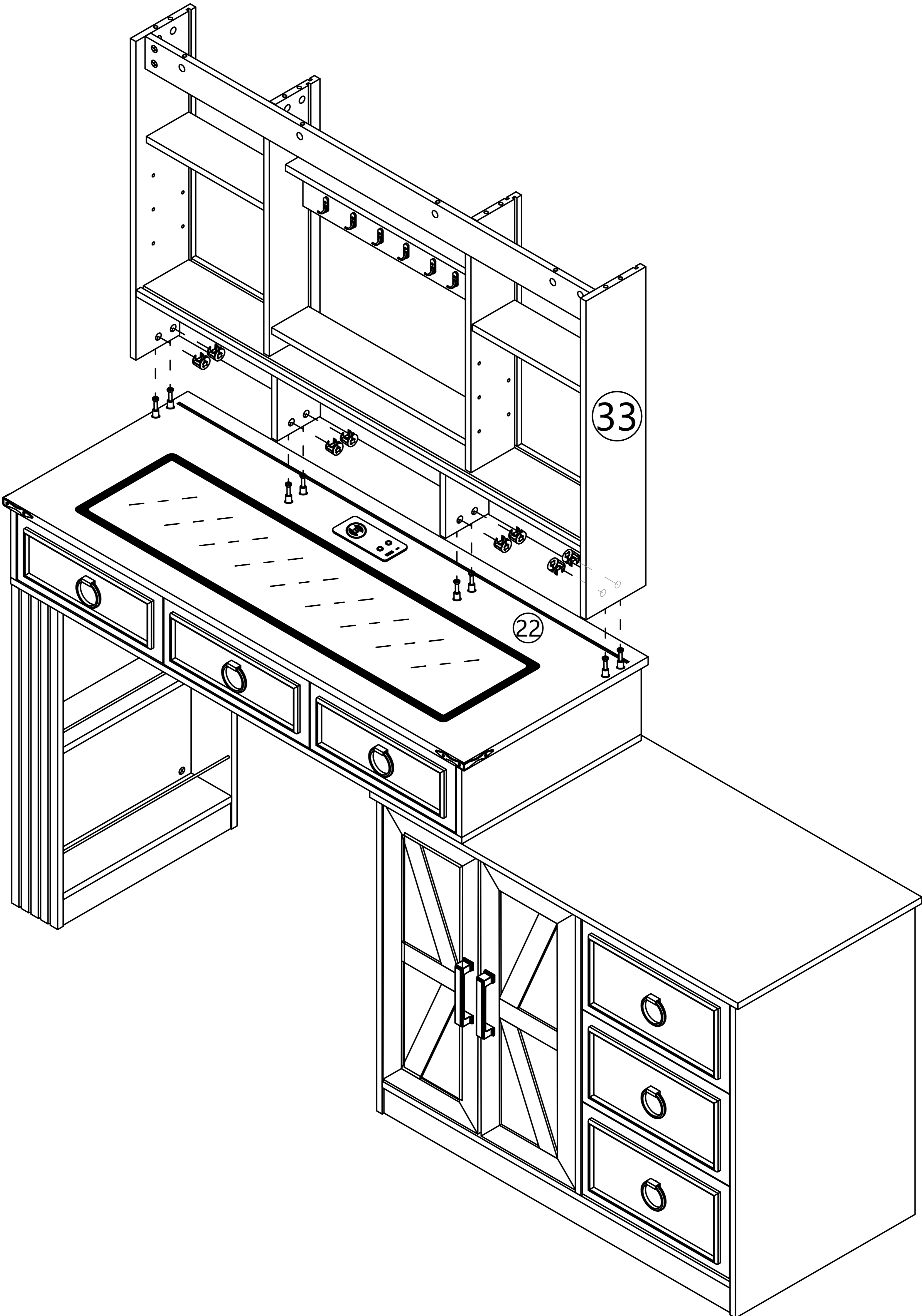


Step 76

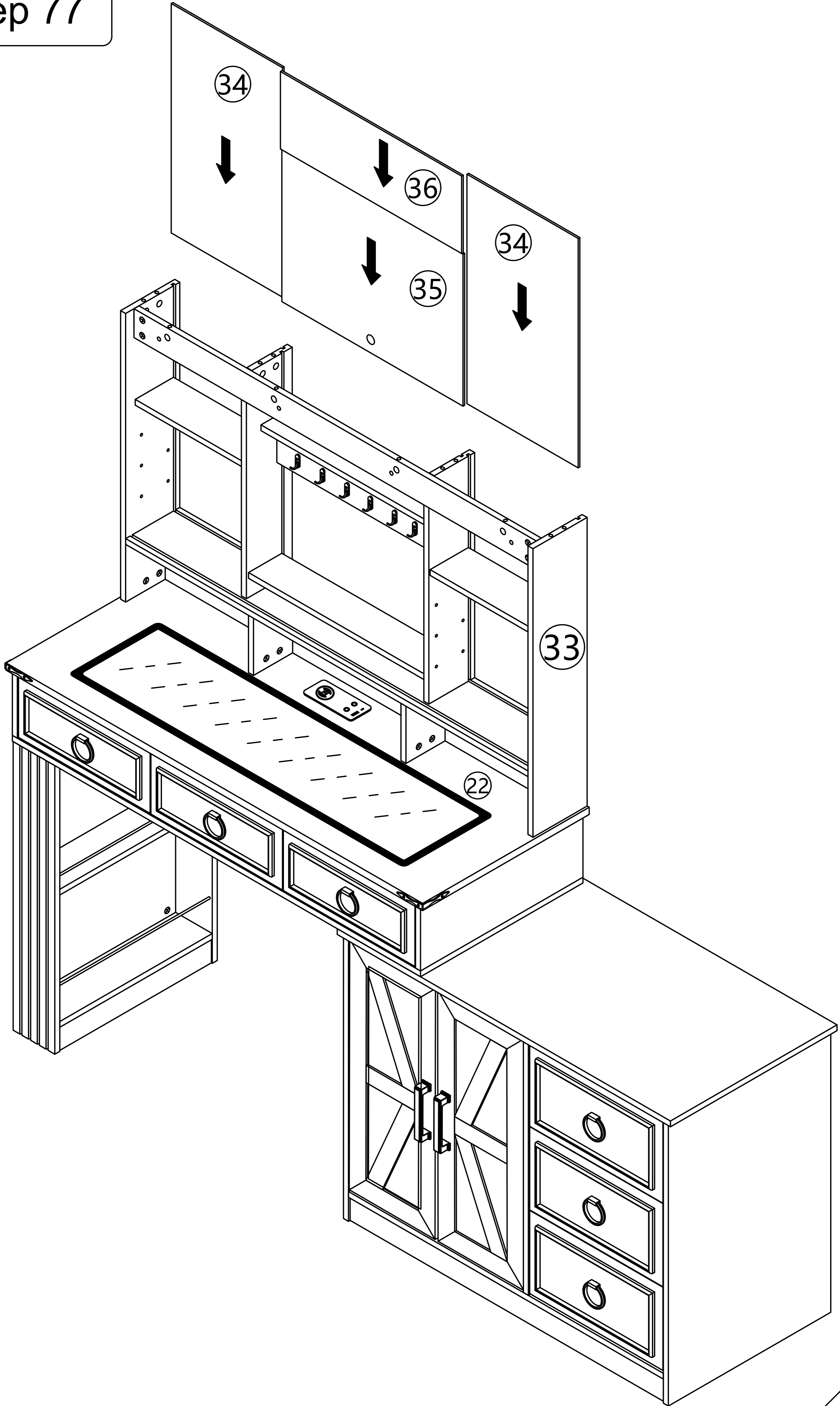
B



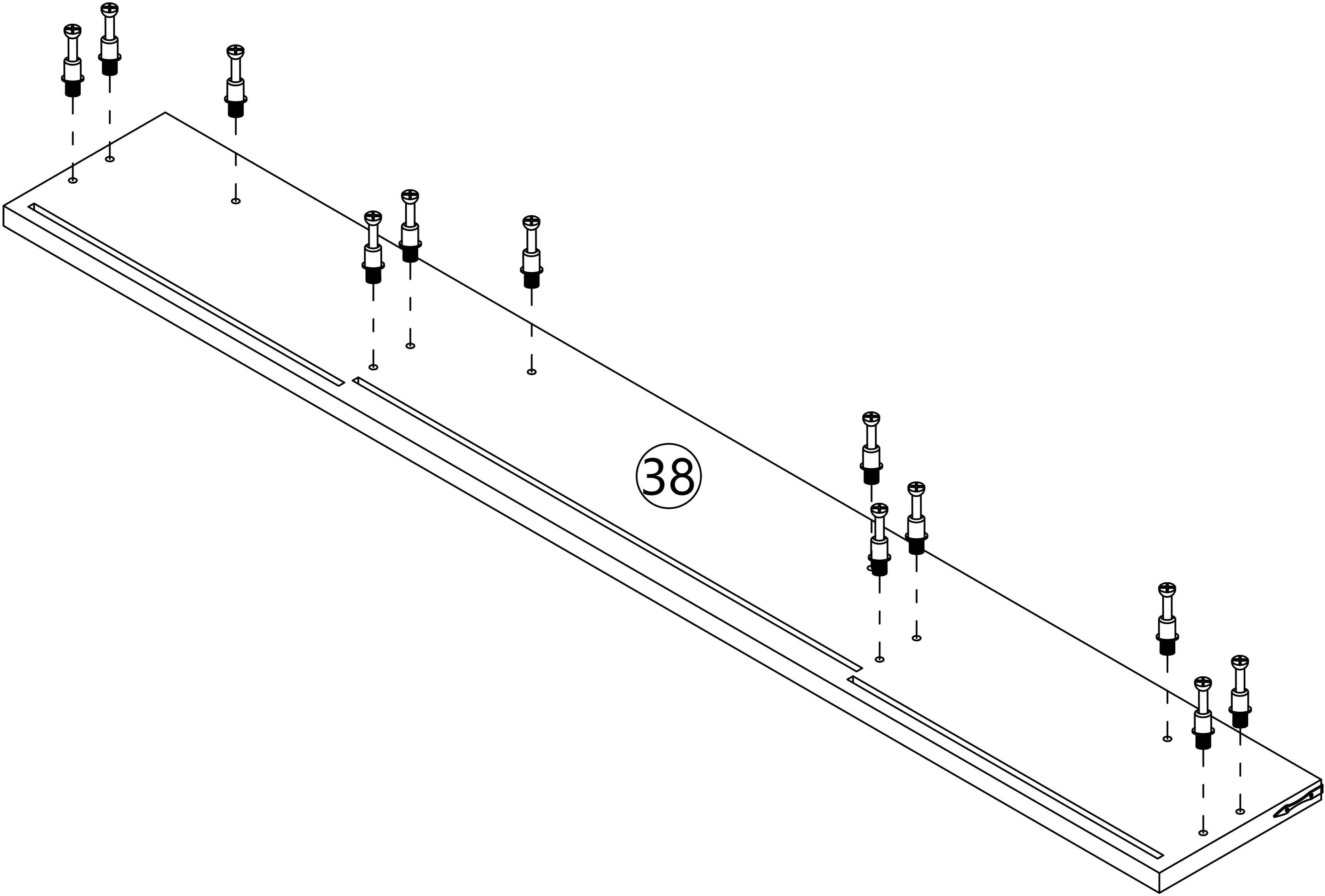
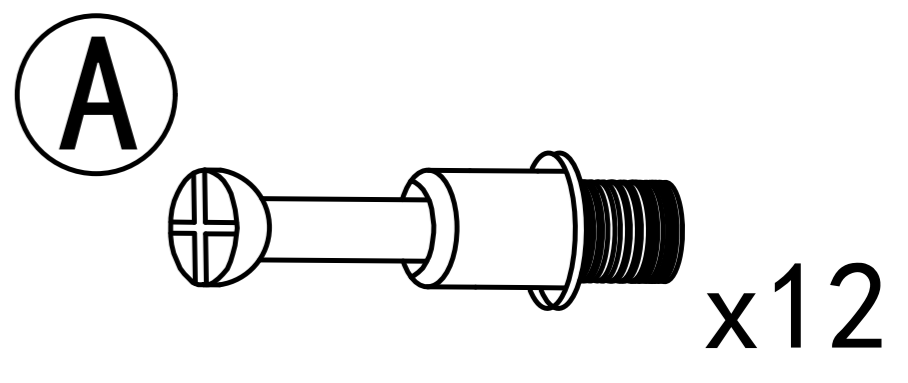
x8



Step 77

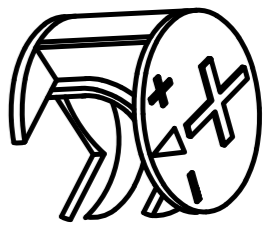


Step 78

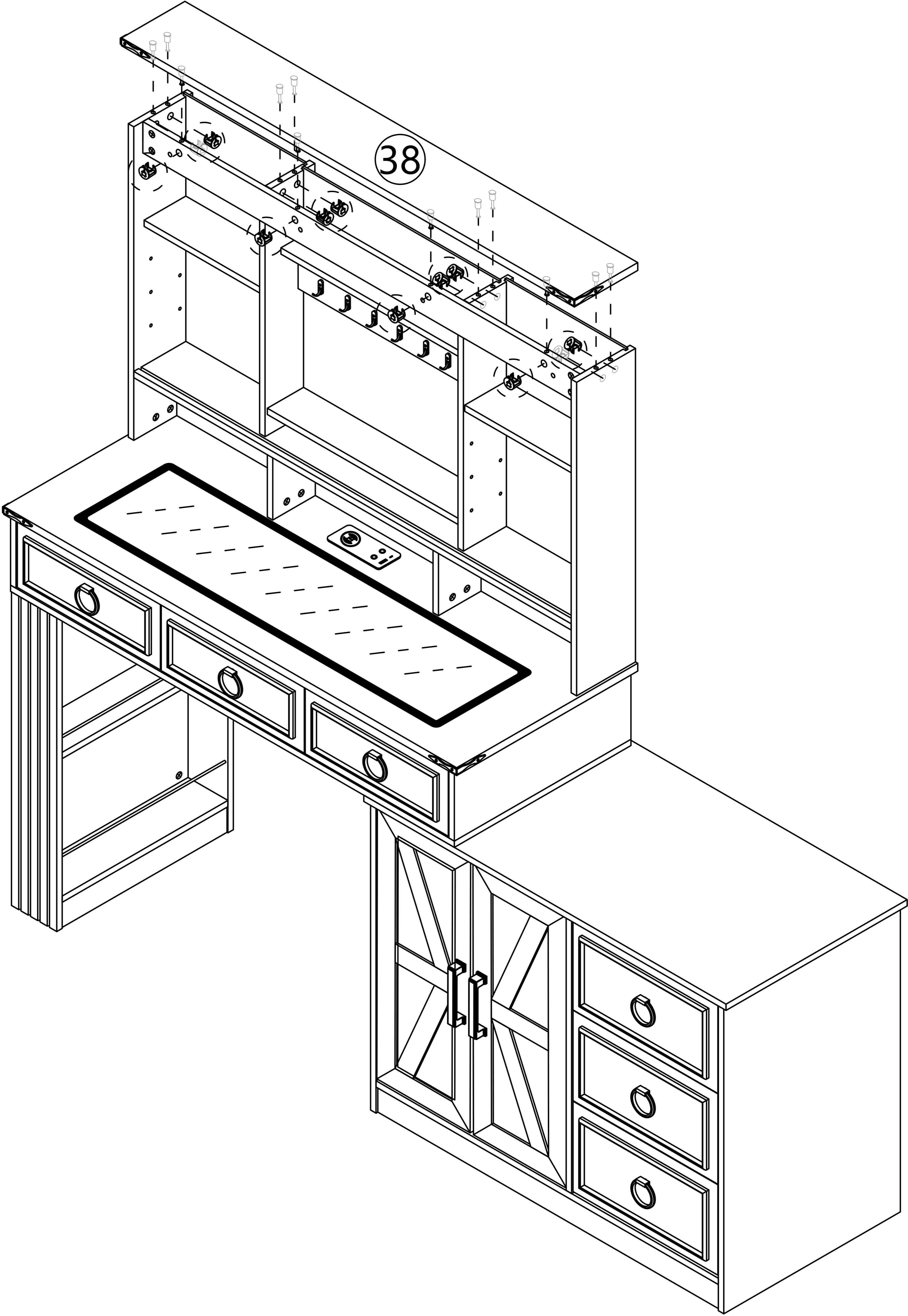


Step 79

B

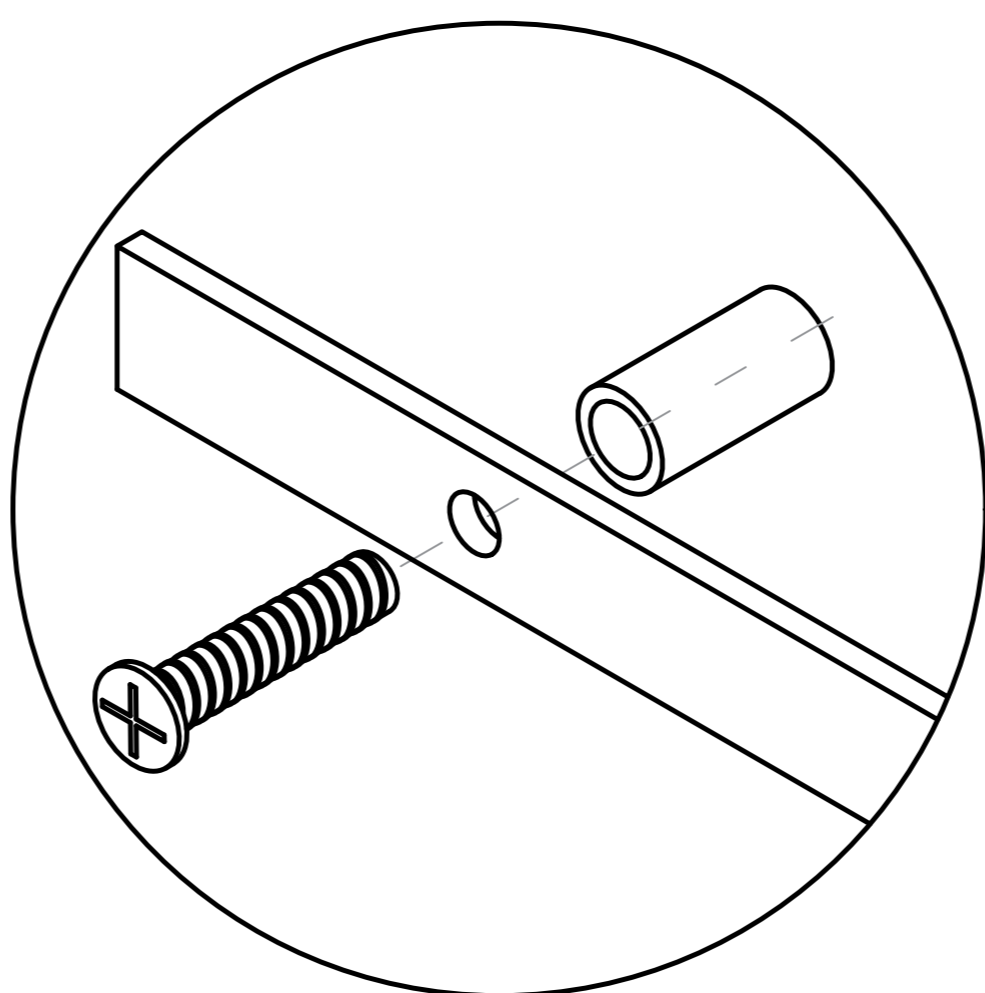


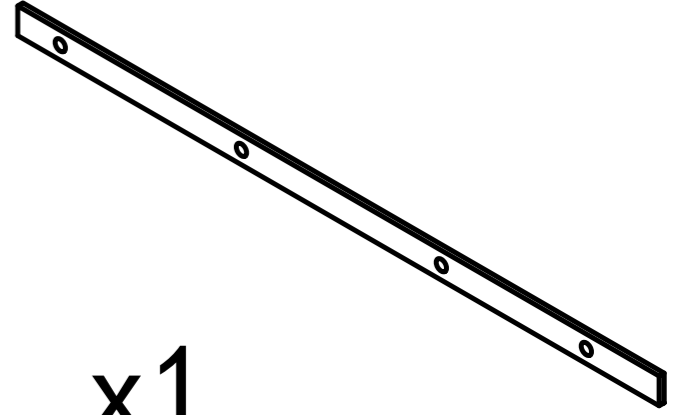
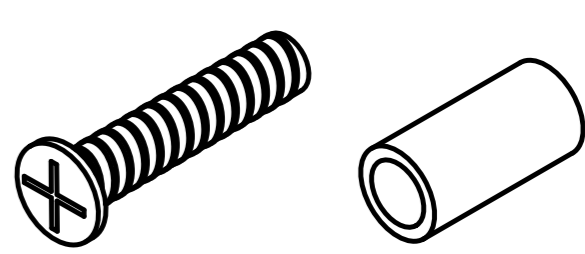
x12

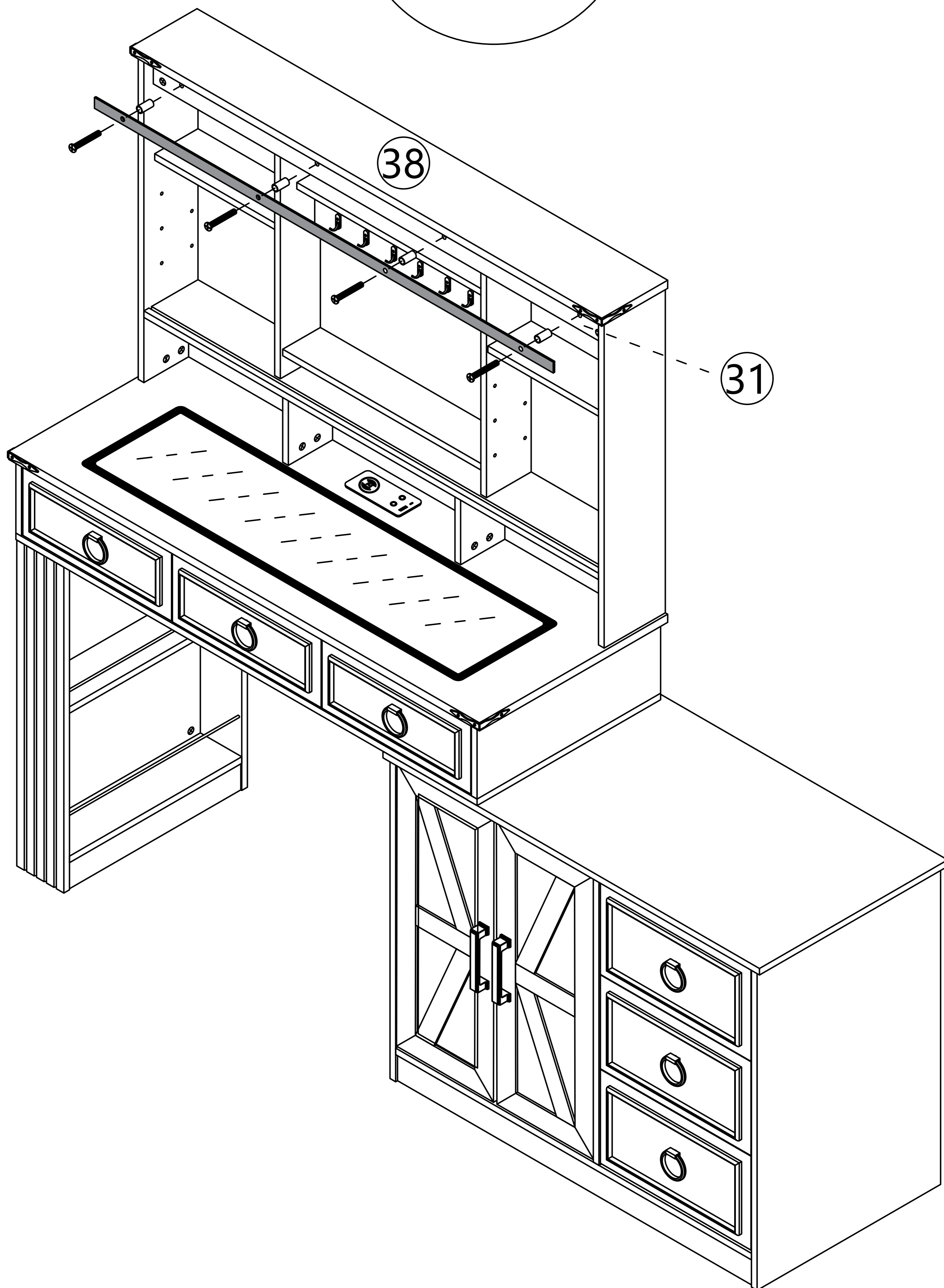


# Step 80

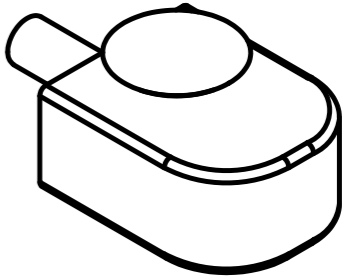
The screw is threaded through the iron guide rail, then through the iron pipe, and then installed in place

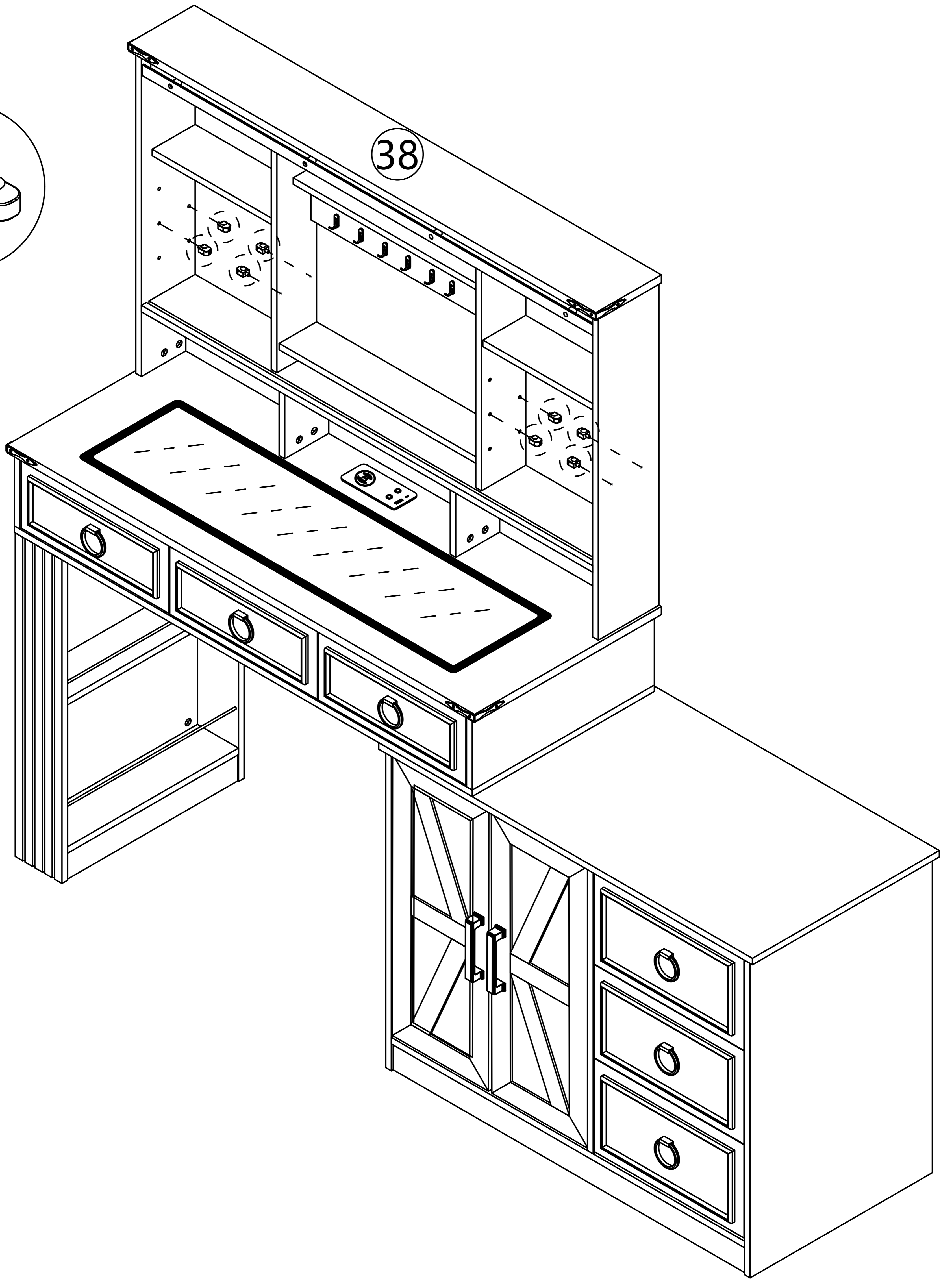
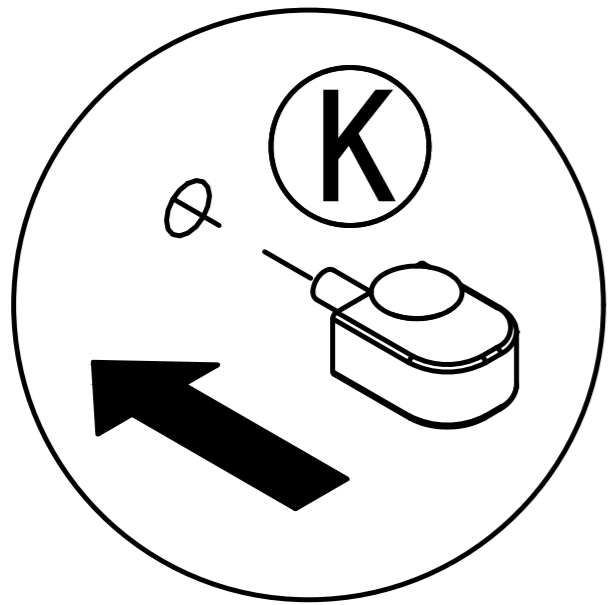


G	x1 
H	x4 

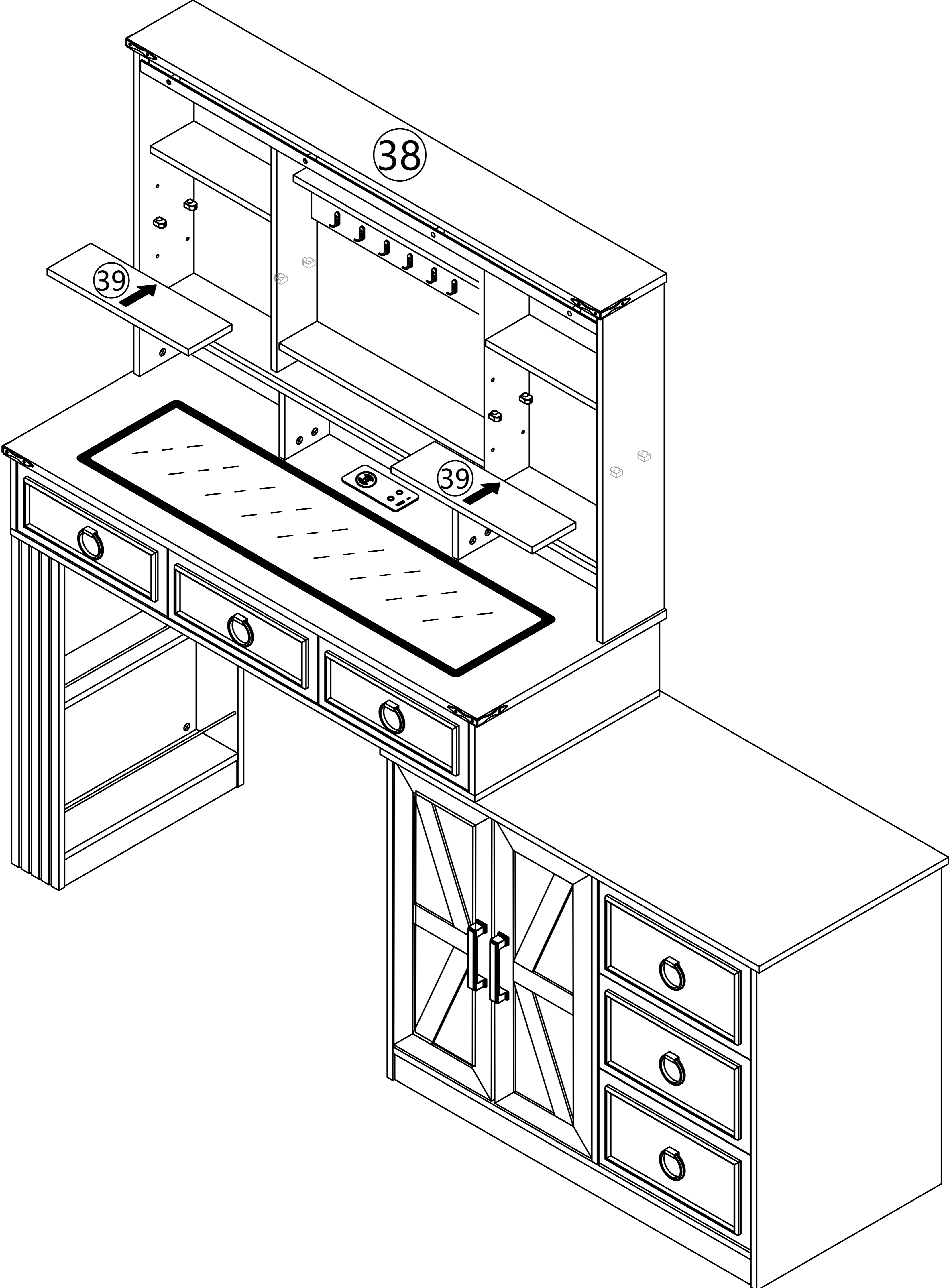


Step 81

Ⓚ  x8

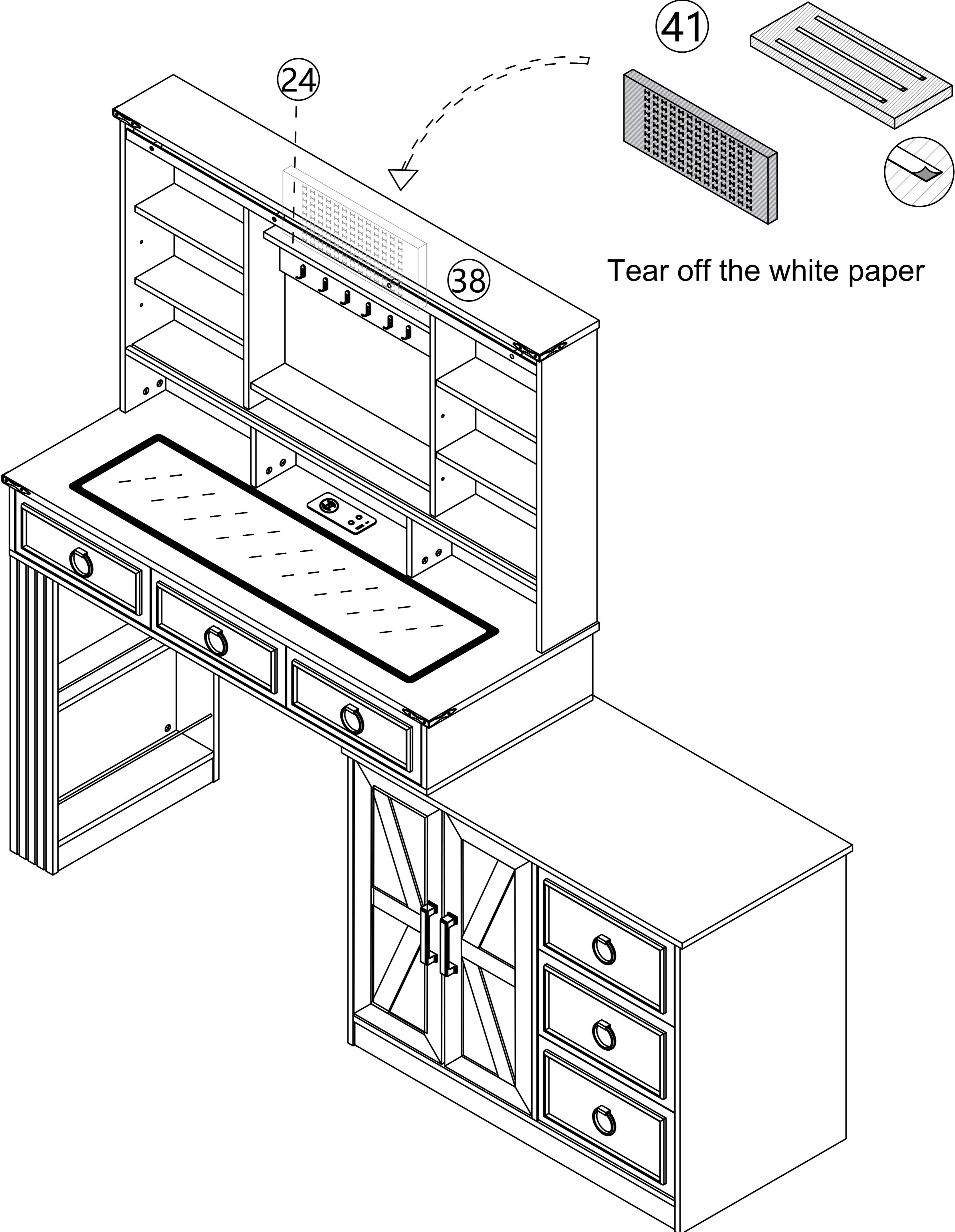


Step 82

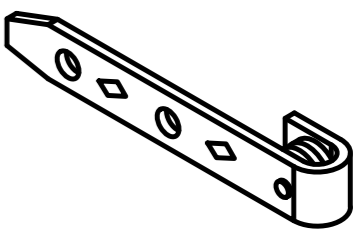


# Step 83

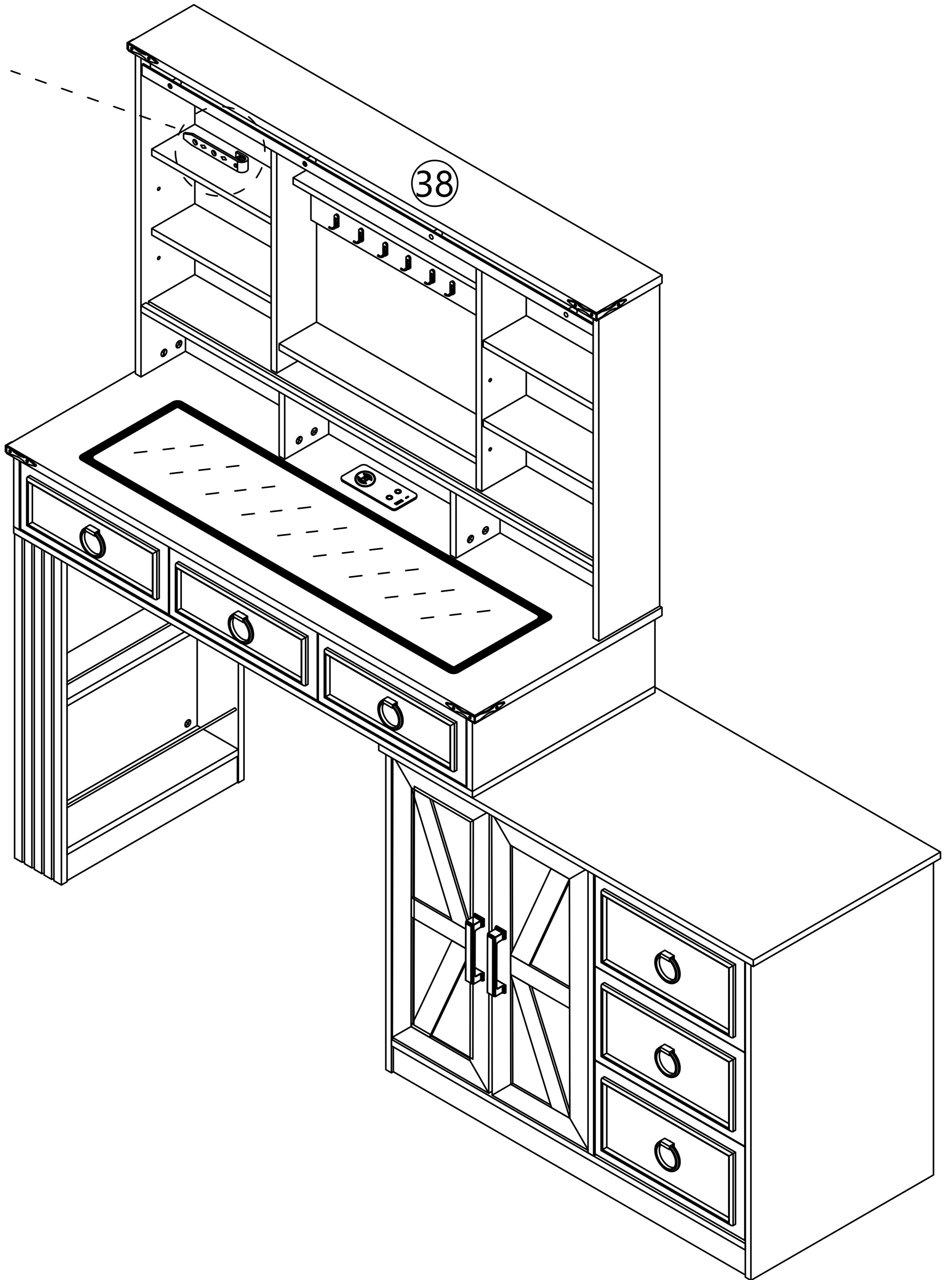
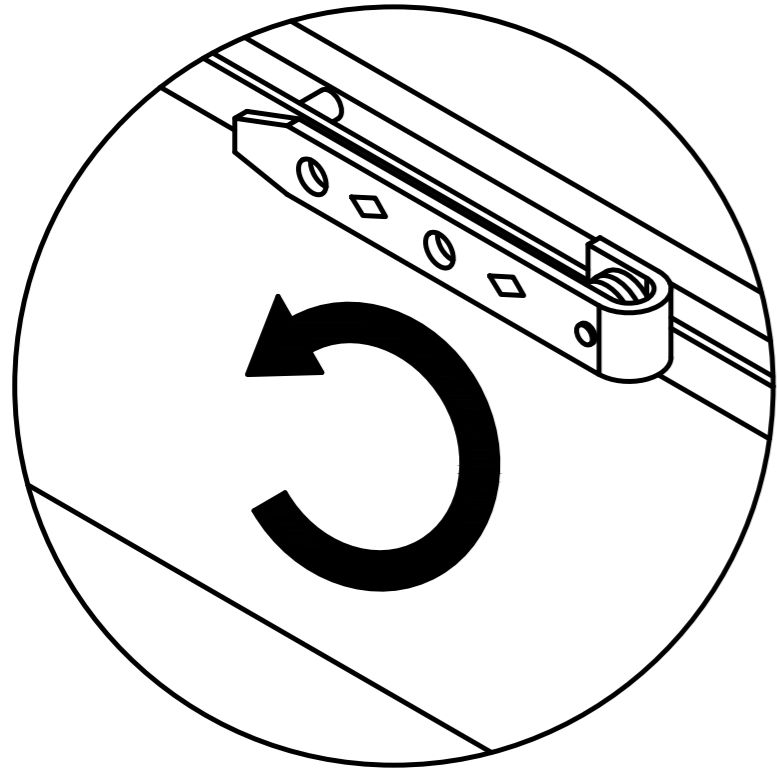
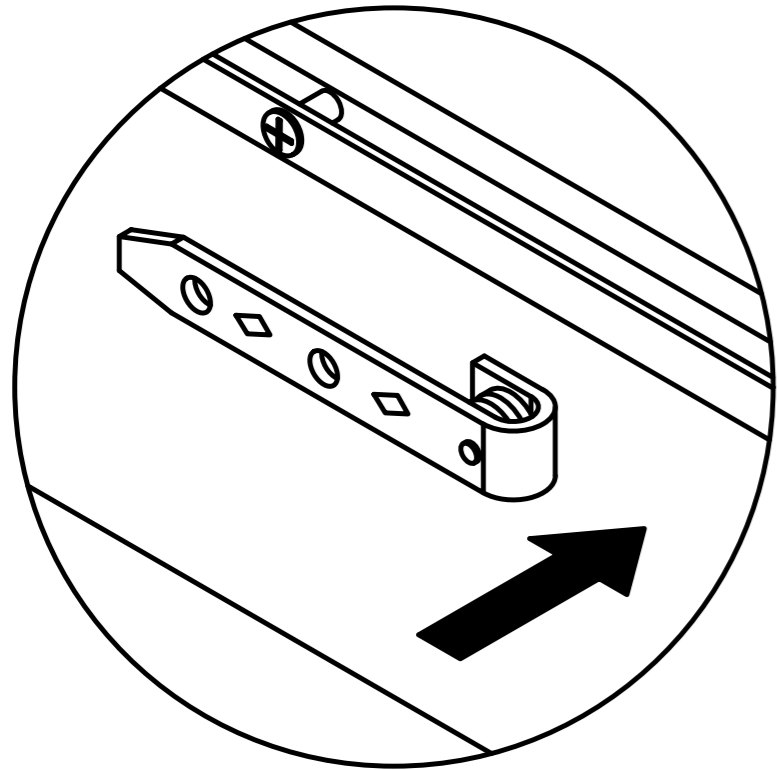
Attention: First, peel off the white paper from the sponge and place it between the 24th and 38th boards. Once the position is appropriate, press the sponge onto the 36th board



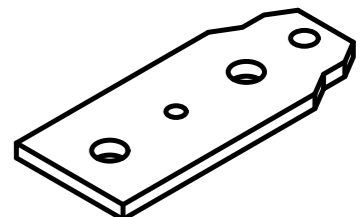
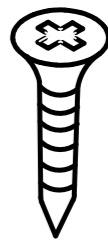
# Step 84

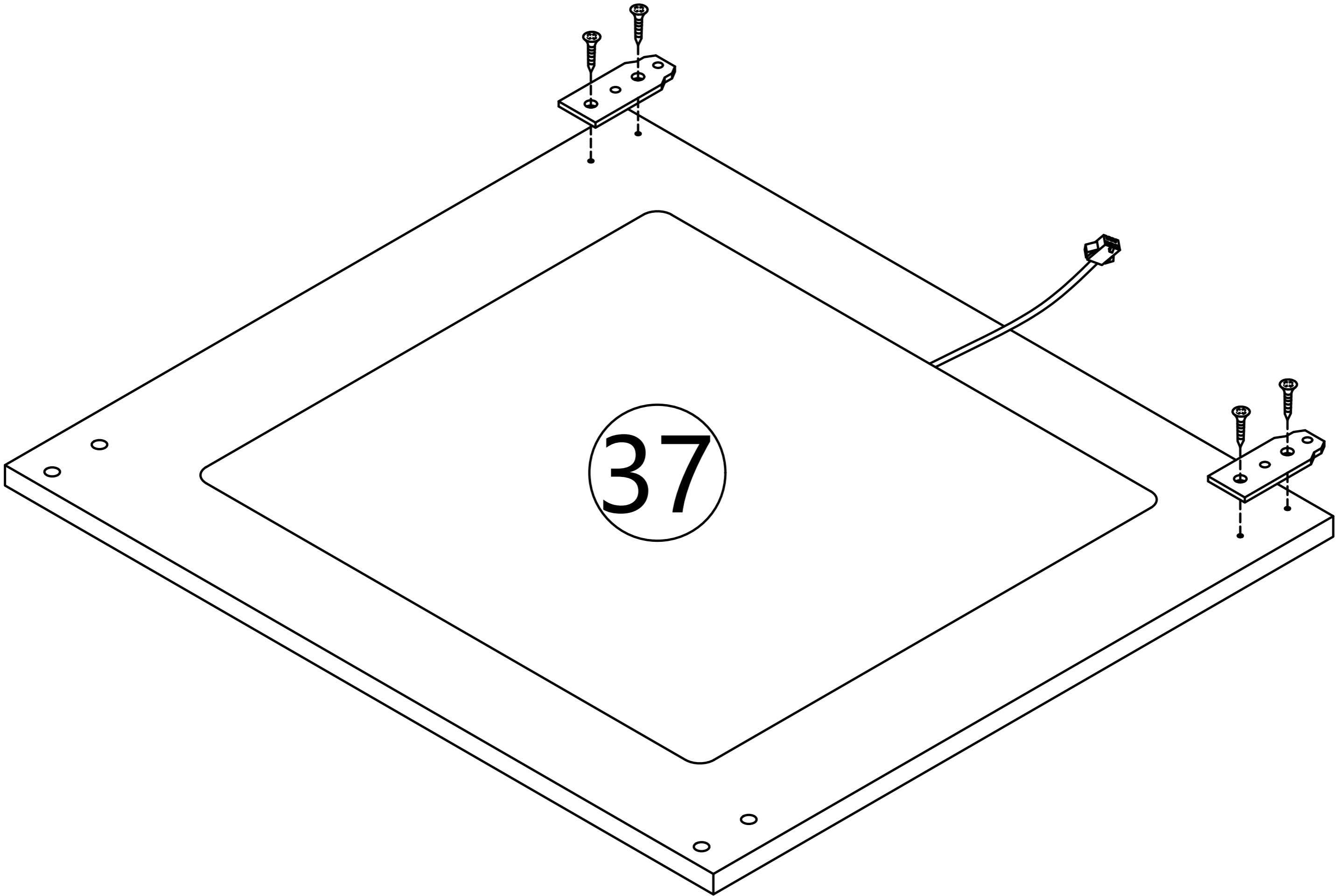
S   
x2

Hang the guide rail hook horizontally on the guide rail iron bar and make it vertical




Step 85

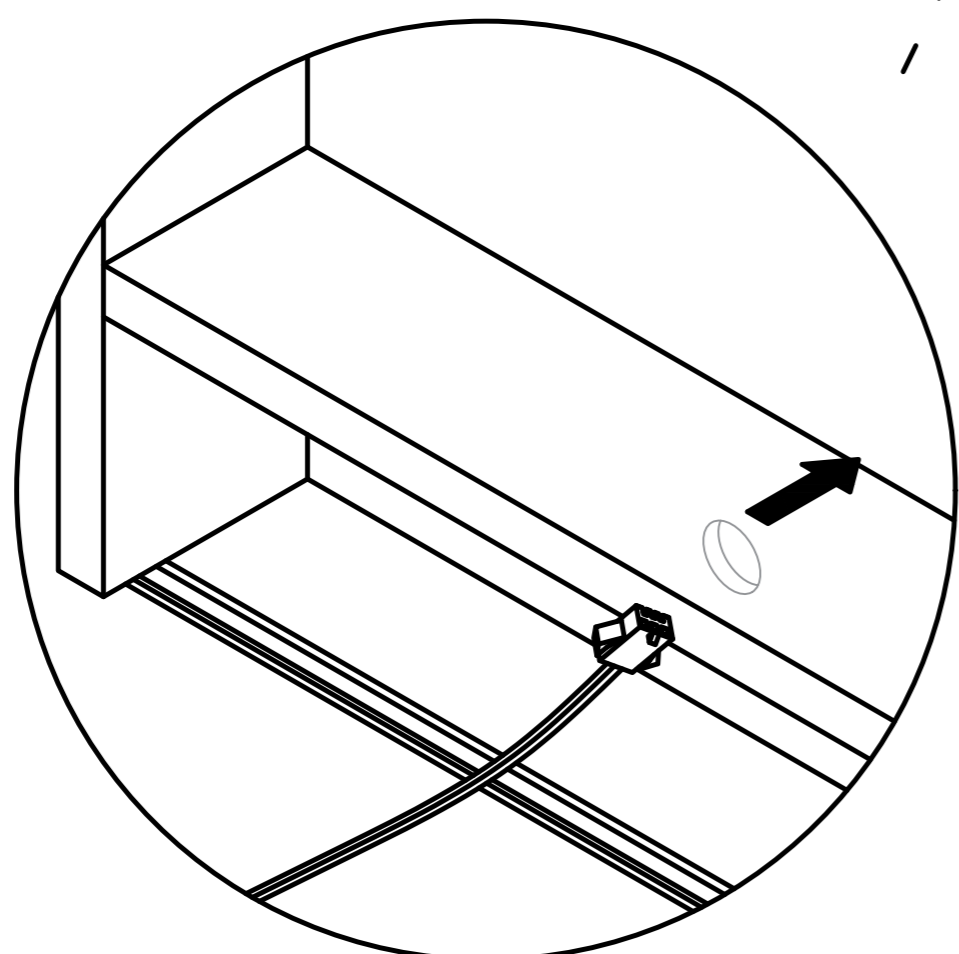
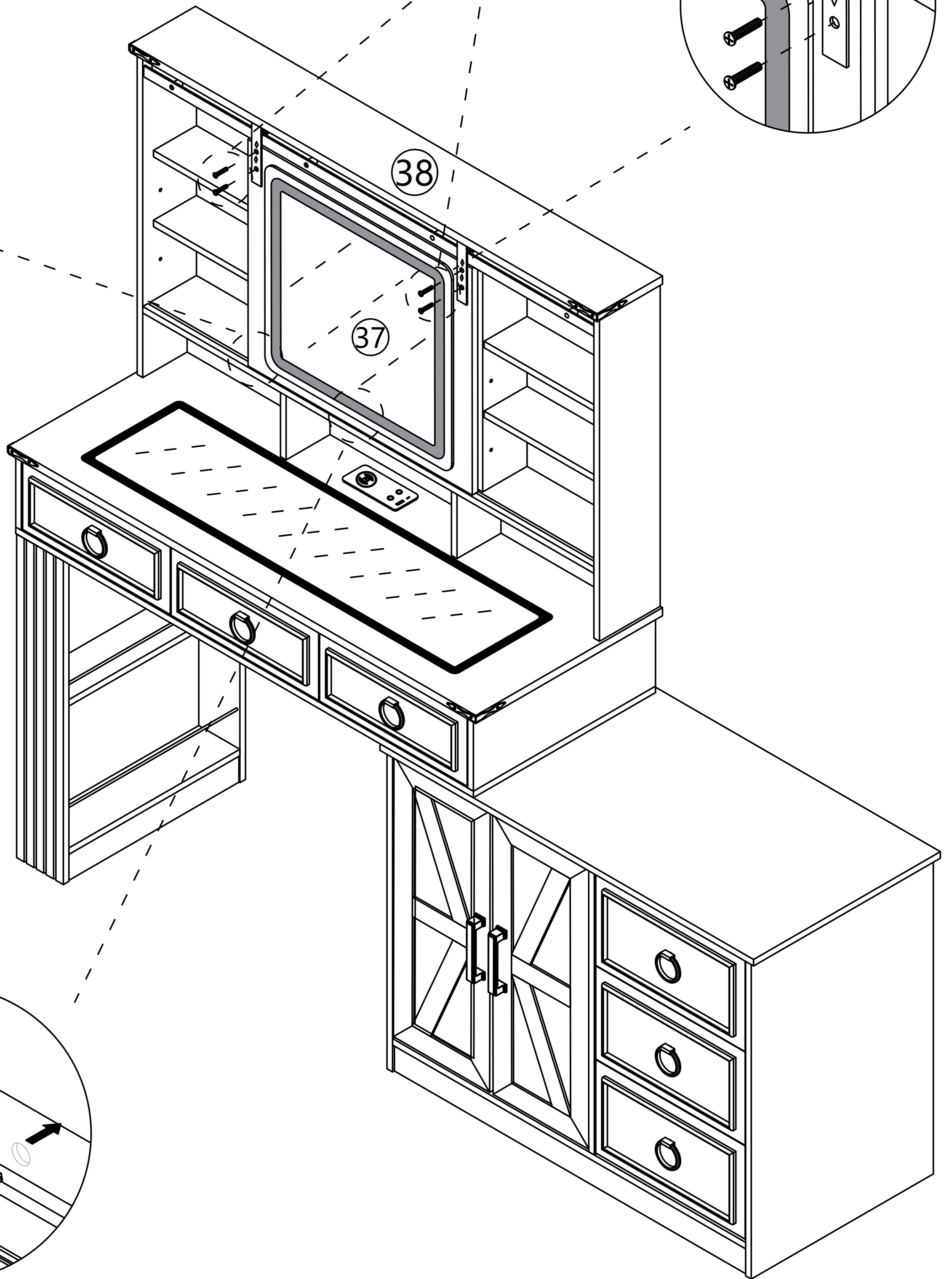
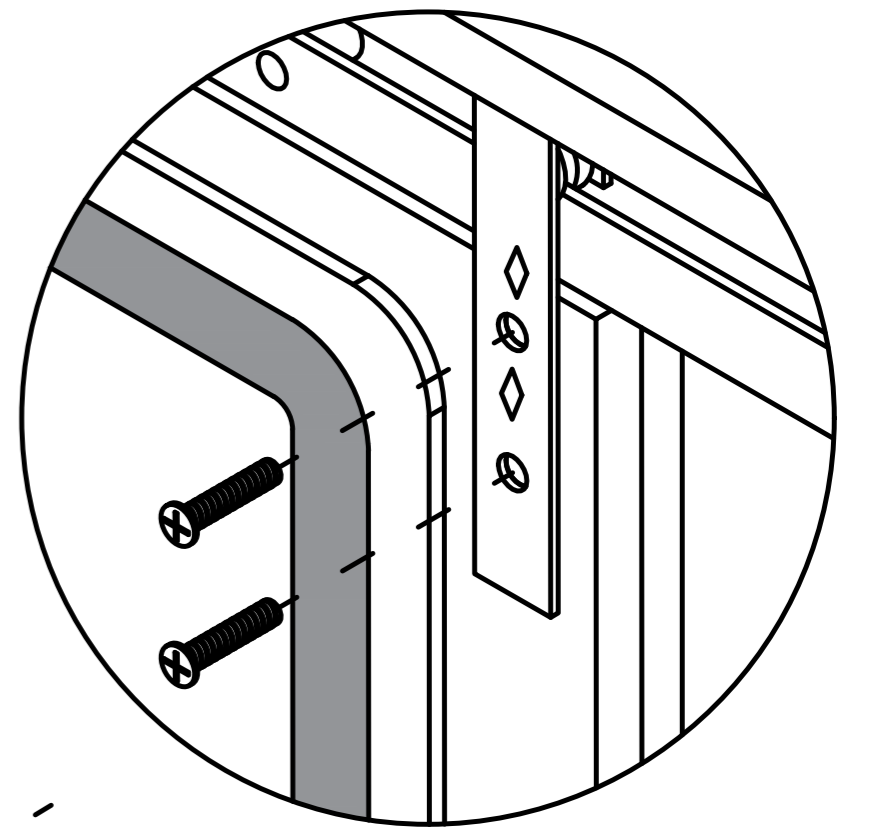
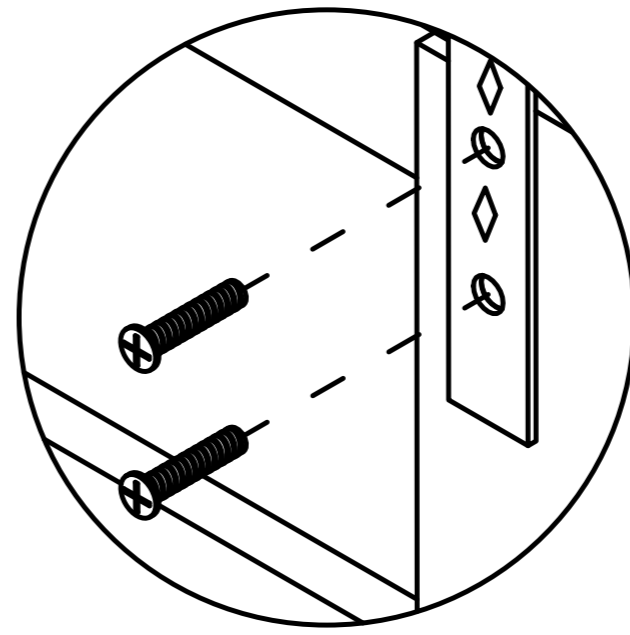
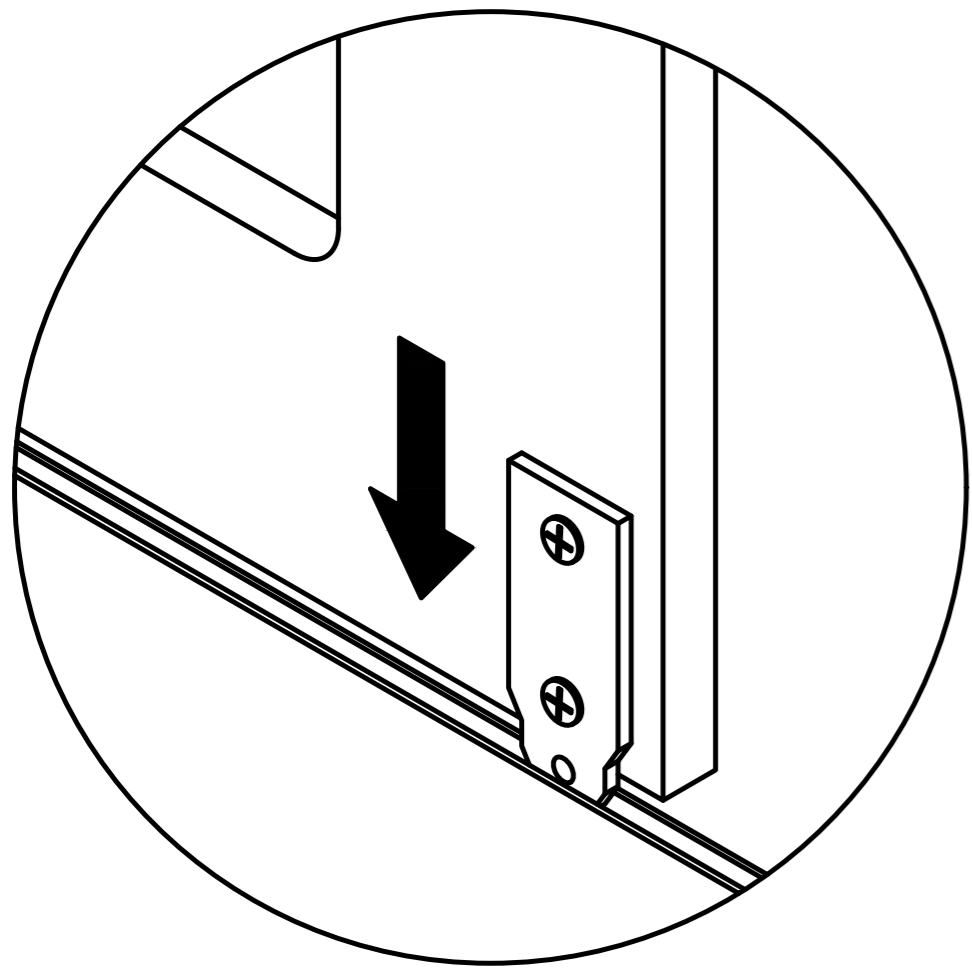
- (T)  x2
- (V)  x4



# Step 86

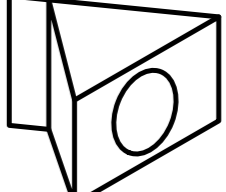

U  x4

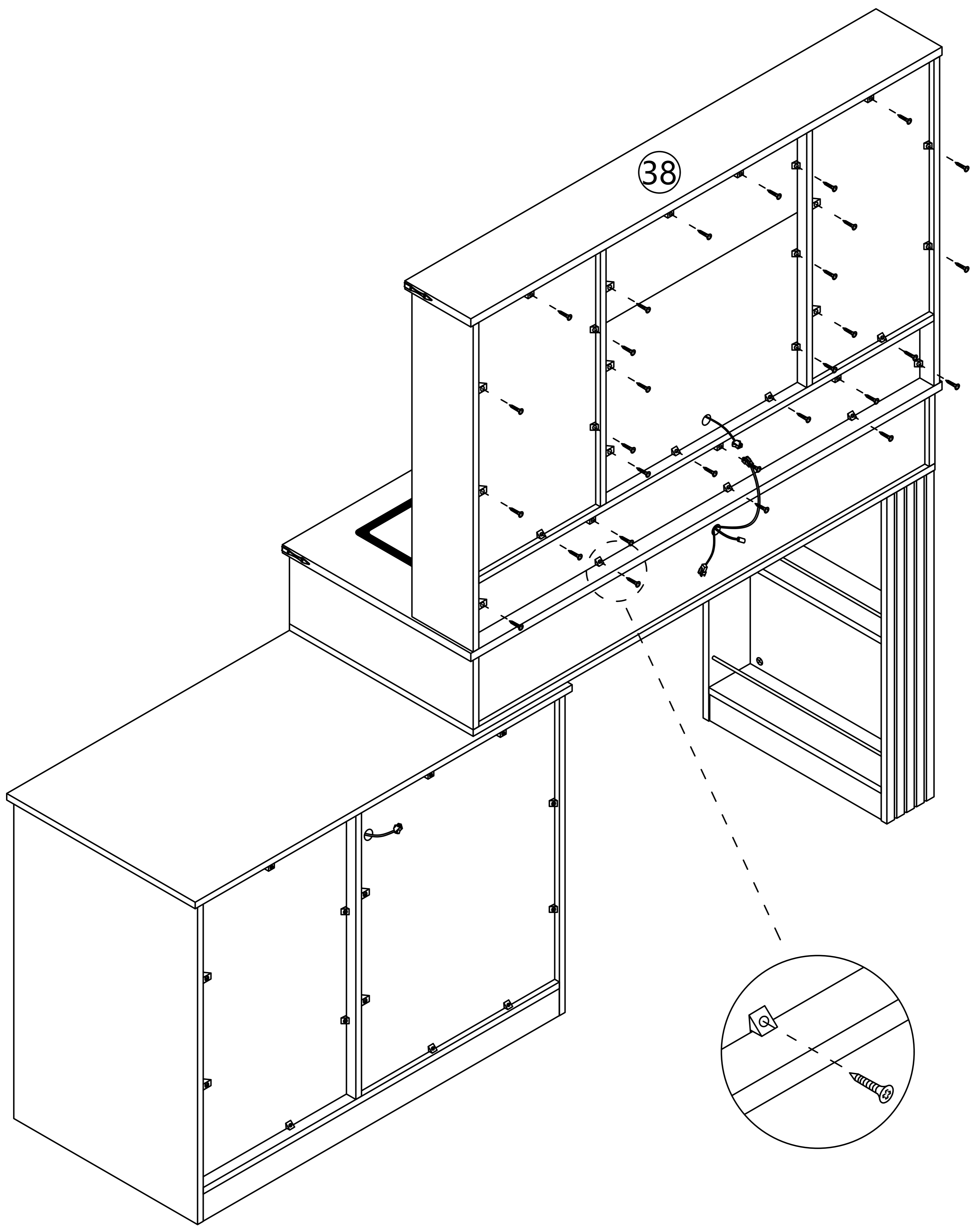
Put the iron plate of the mirror's guide rail into the aluminum groove



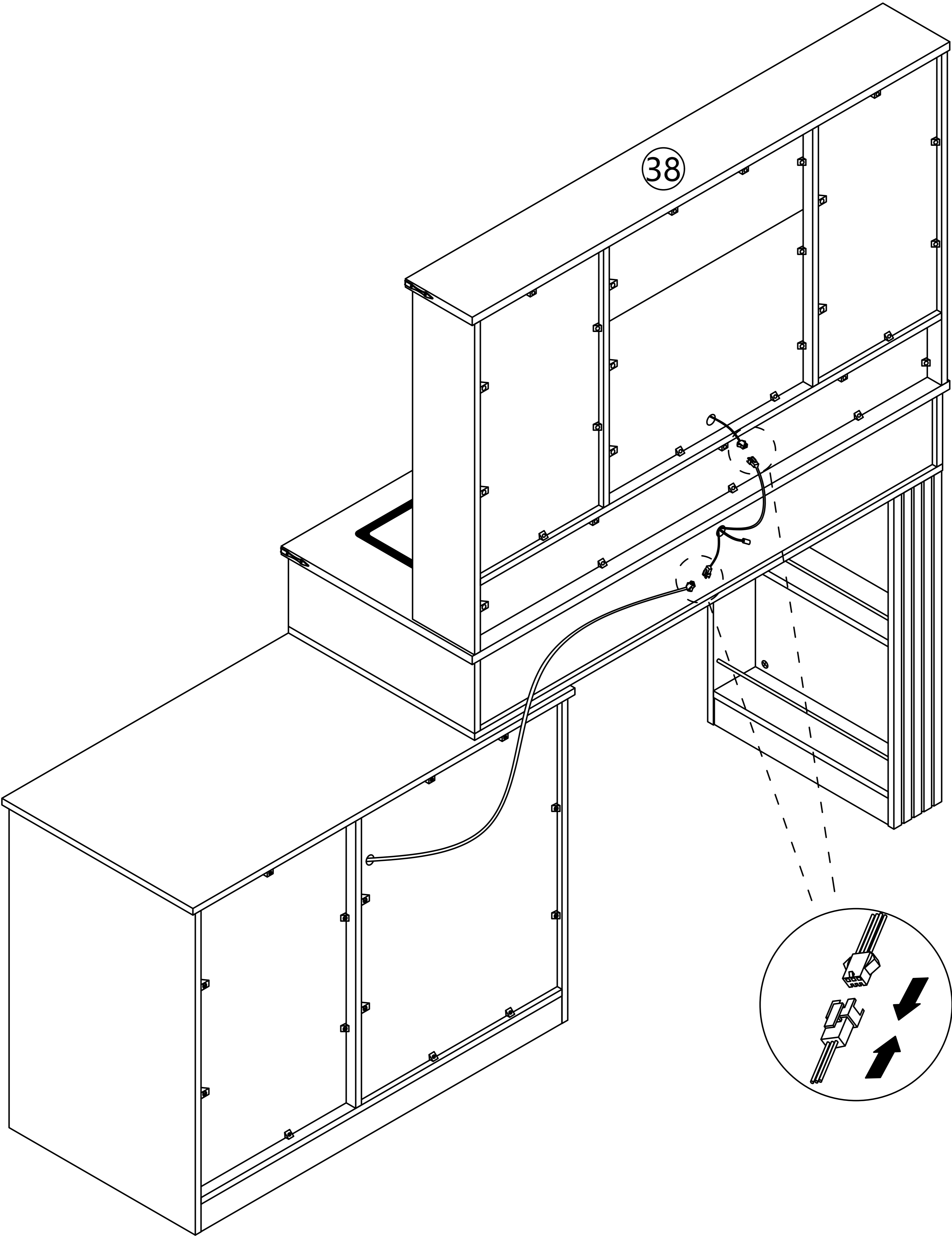
First, thread the mirror power cord through the back panel before installing the mirror

Step 87

(J)  x29  x29

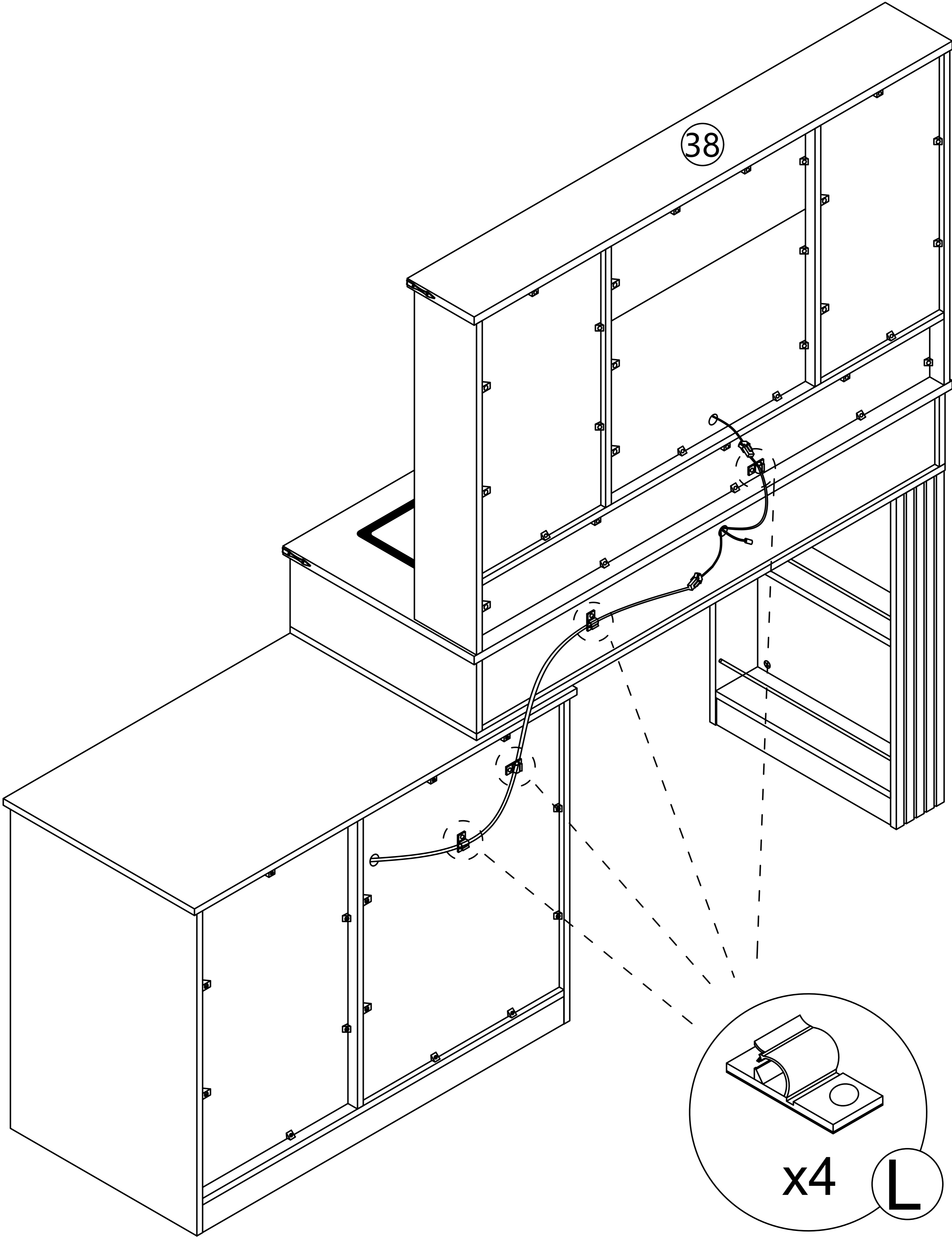
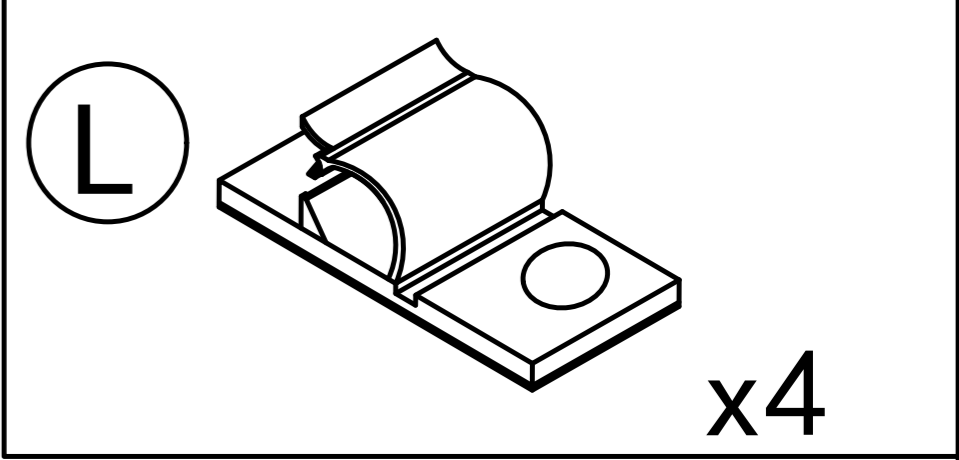


Step 88

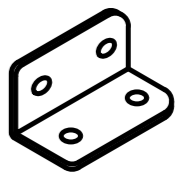
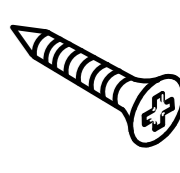


Attention: Please change the wiring method according to the actual placement method

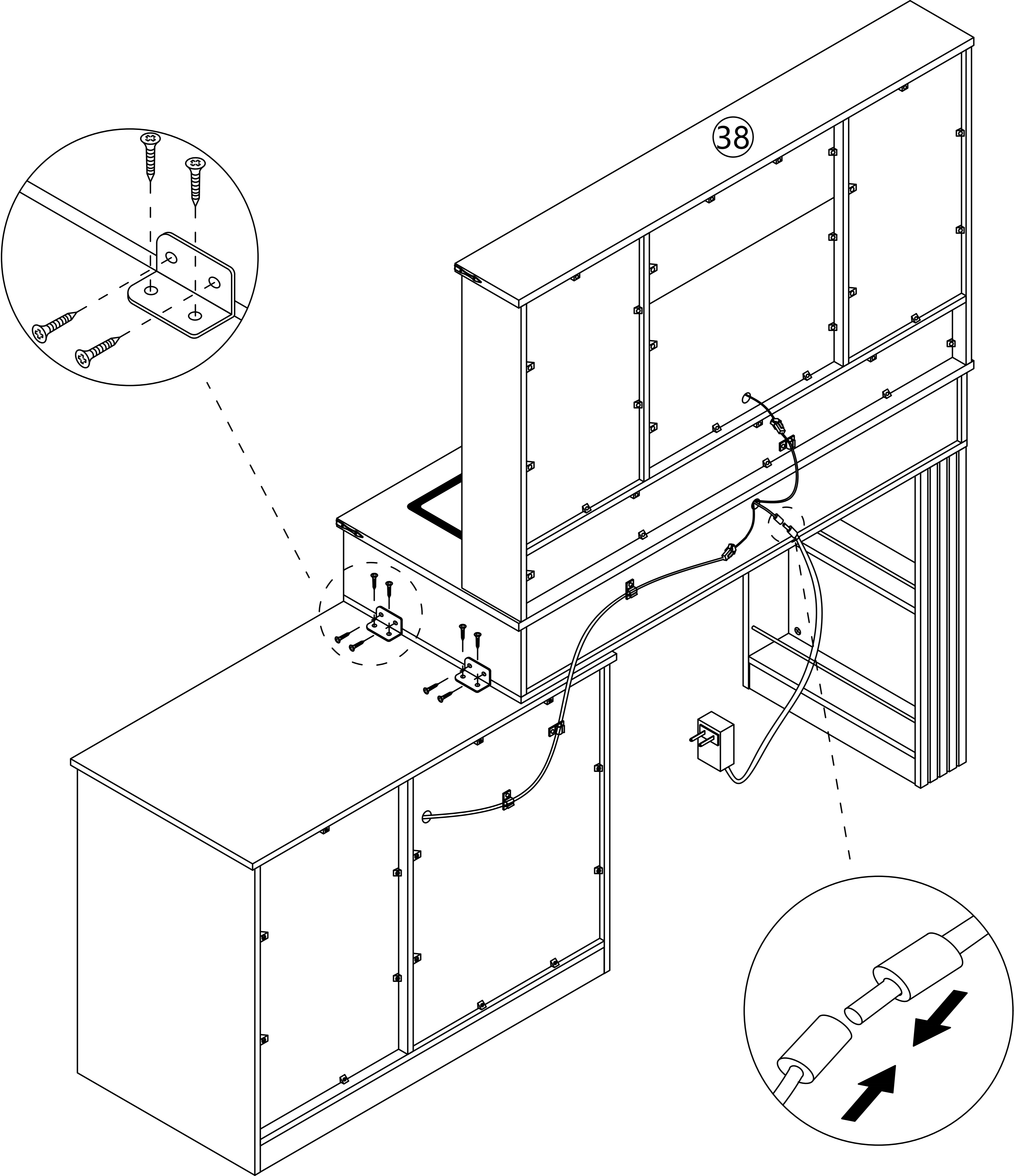
Step 89



# Step 90

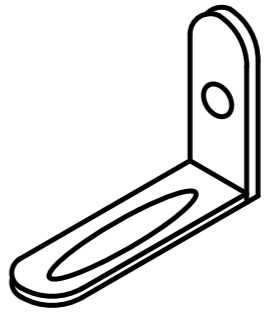
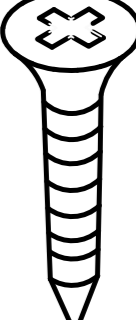
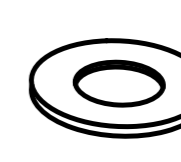
(R)		
	x2	x8

The corner code is used for fixing the cabinet body, and installation can be selected according to needs

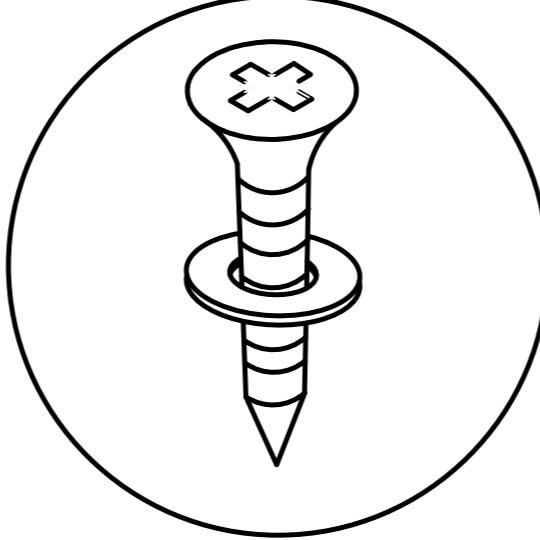


Step 91

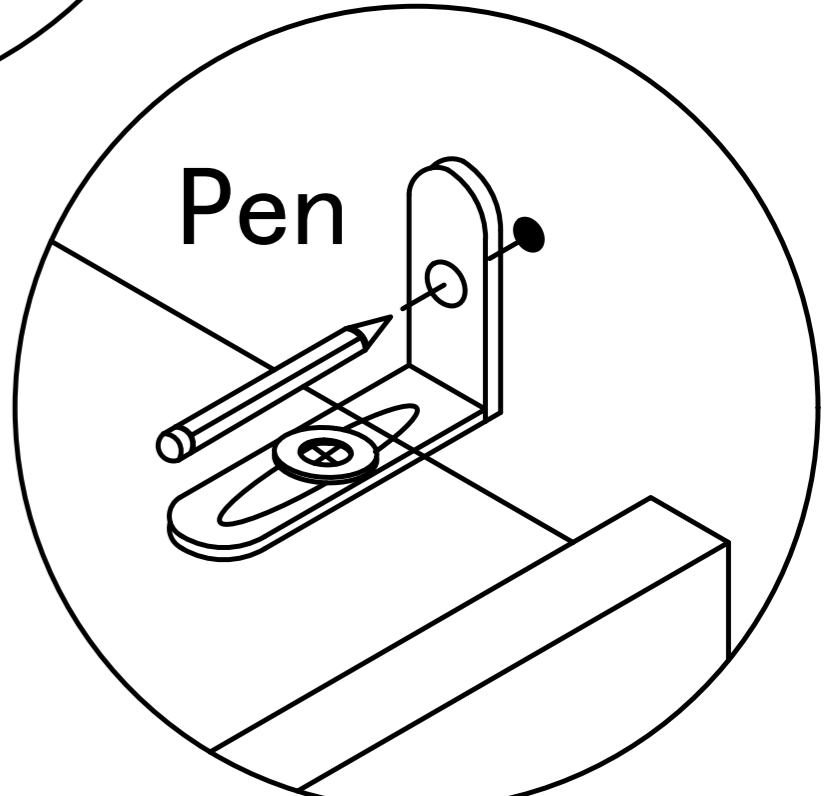
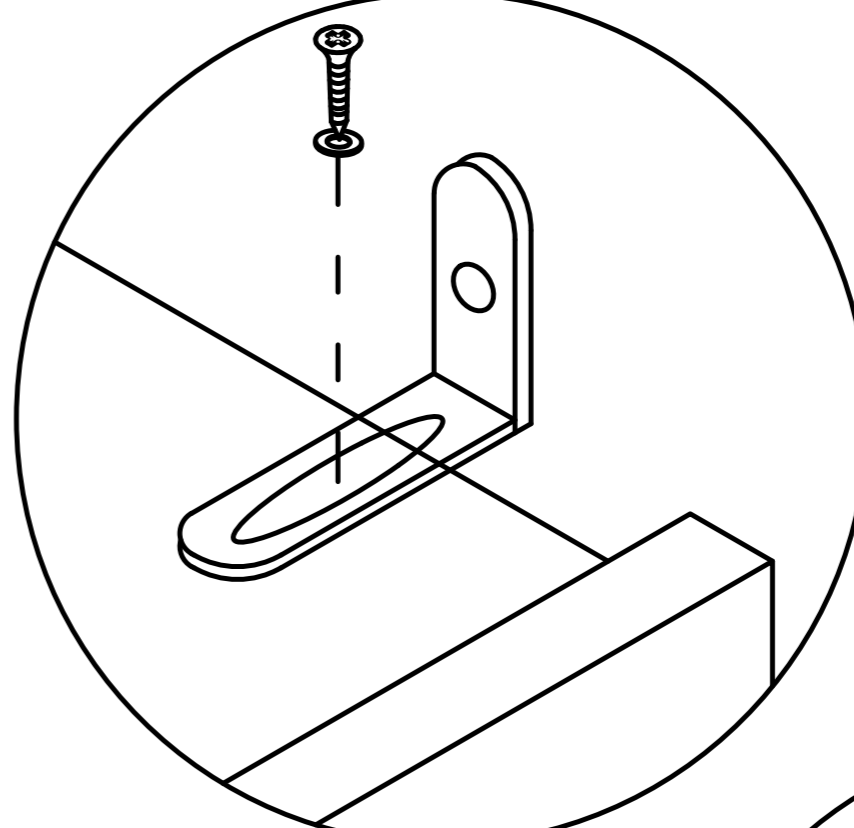
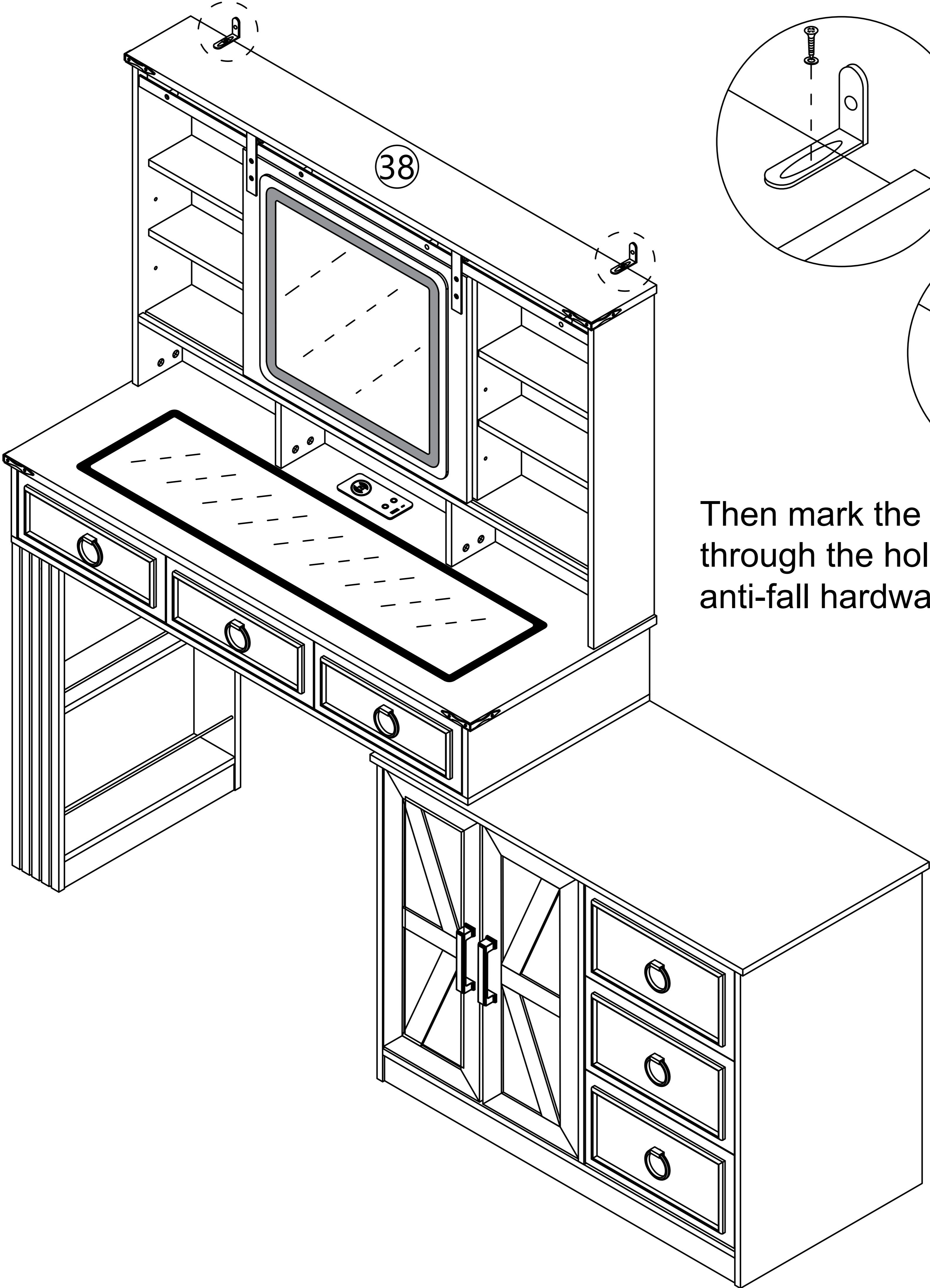
Install as required

W  x2  x2  
 x2

3.5x14mm

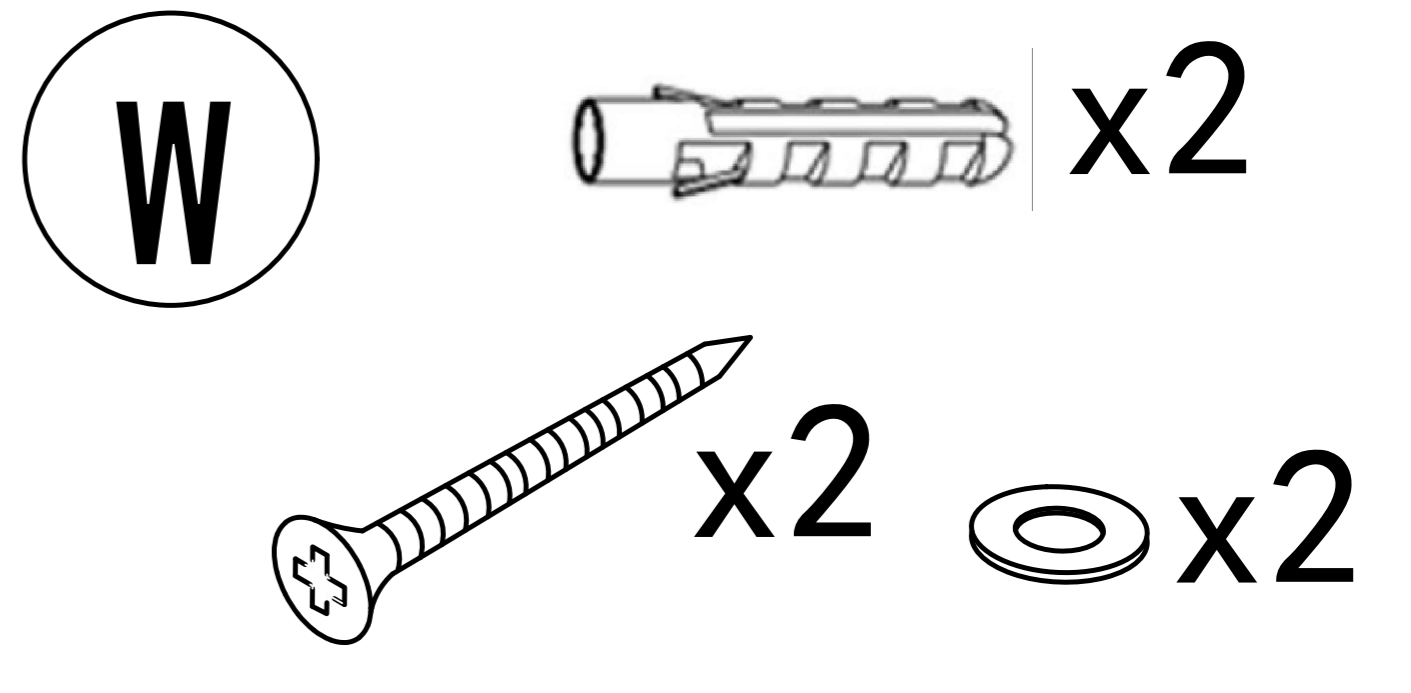
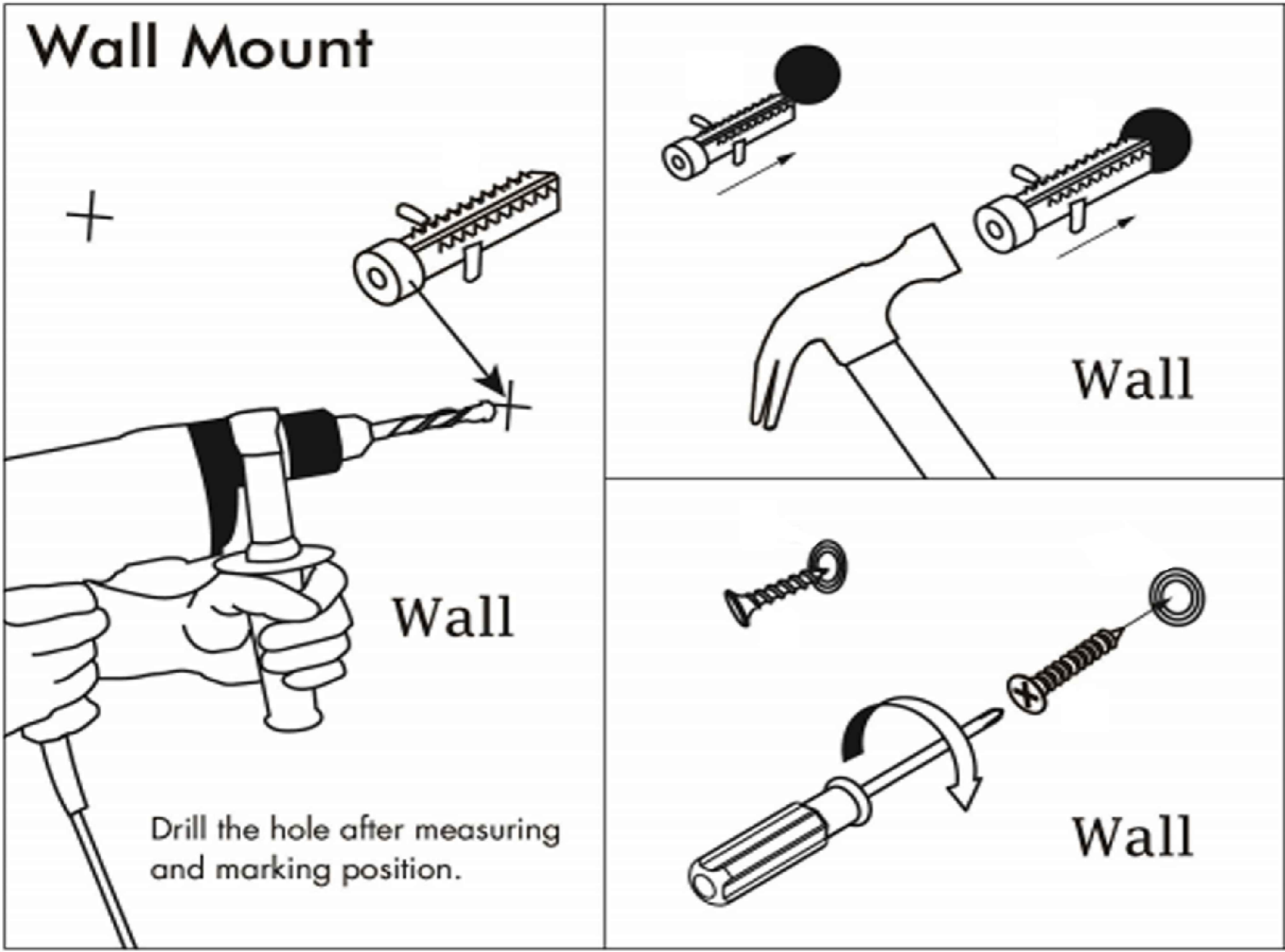


Install the anti fall hardware on the cabinet as shown in the picture first

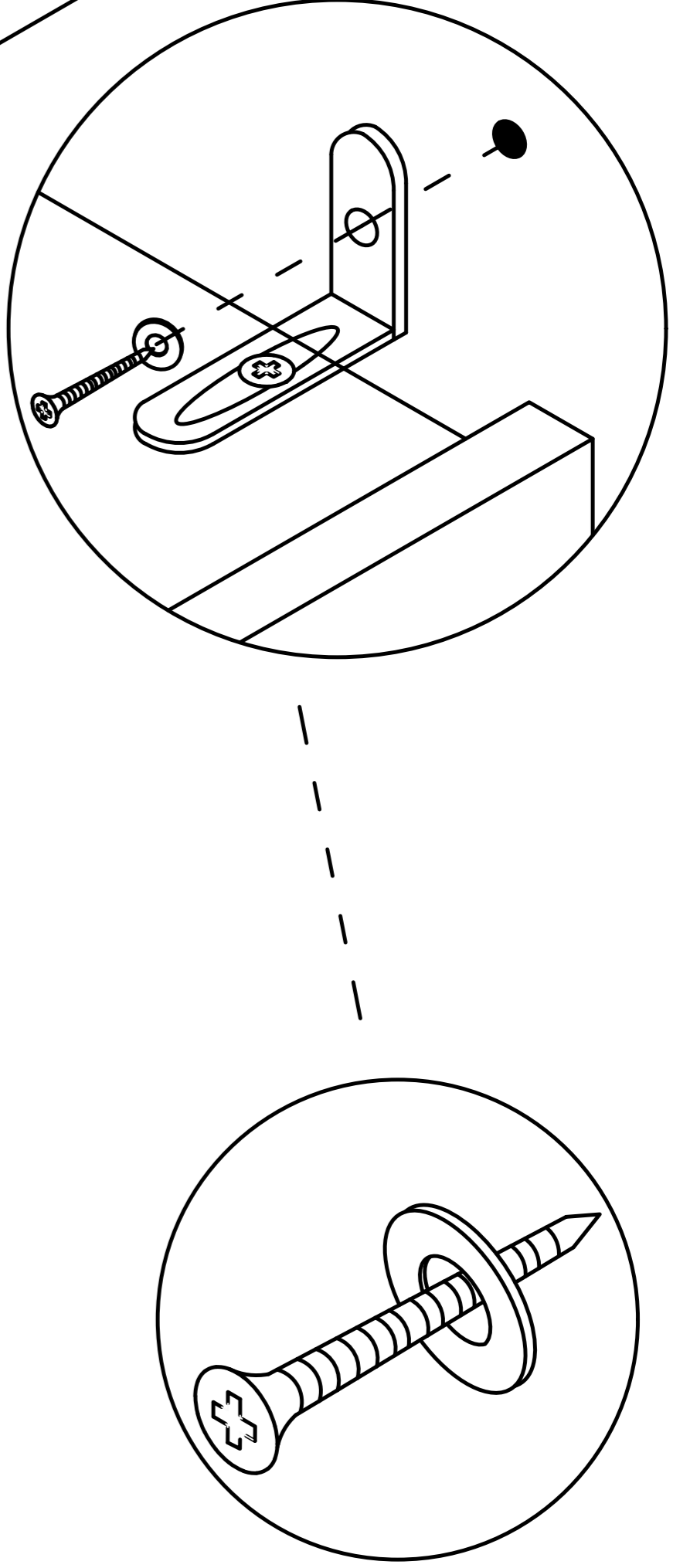
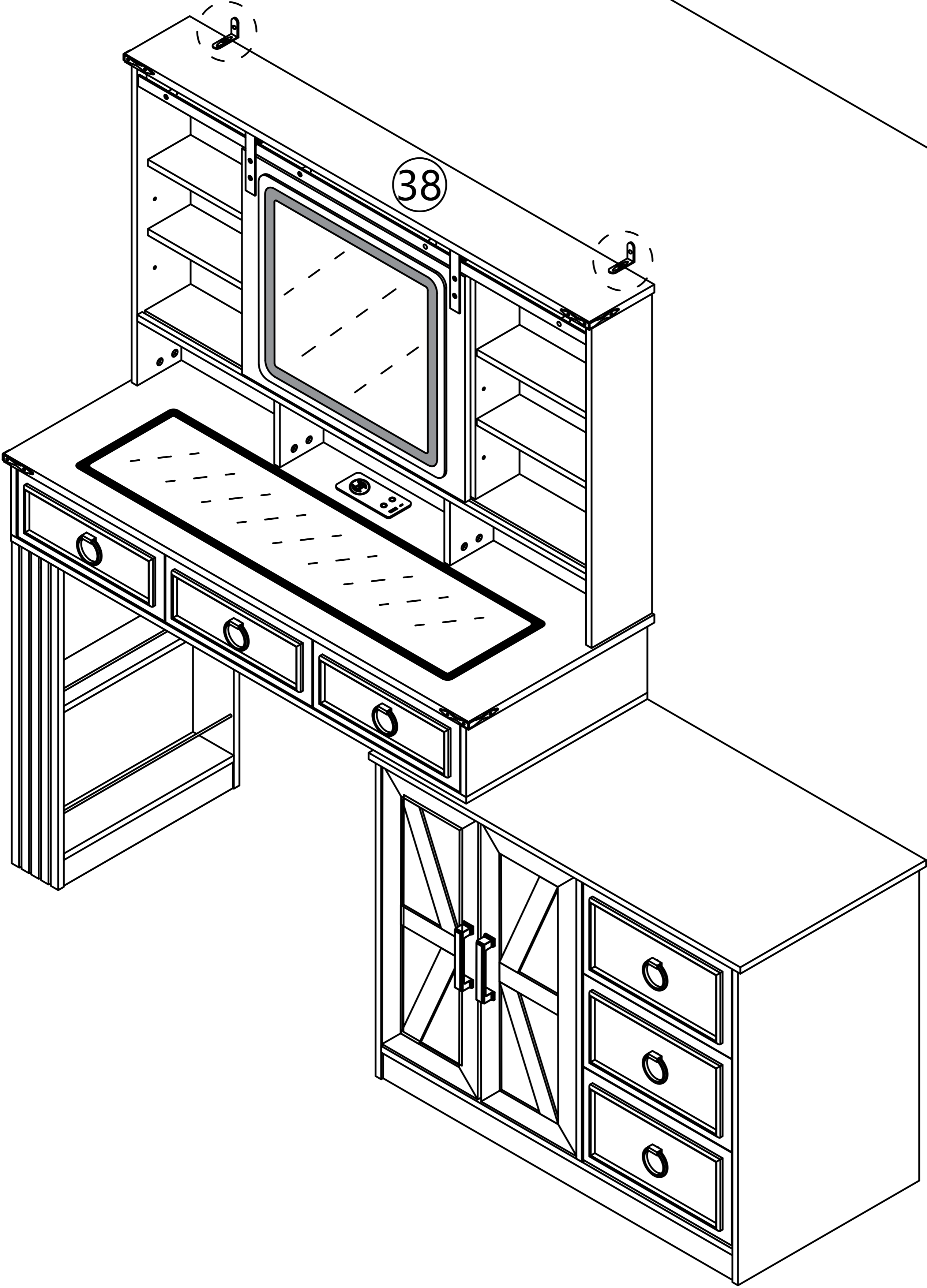


Then mark the wall with a pen through the holes in the anti-fall hardware

# Step 92



Drill the hole with an electric drill and punch in the colloidal particles



4x45mm

Fix the dressing table to the wall



## User's Guide

Thank you for purchasing this product.

To use this product, please plug it into a 12V DC power supply.

Please use if the product works normally after connecting to power.

## Introduction

The box is an intelligent controller. It has 1 USB port and 1 type-C port and can distribute the current output up to 5V DC-2A. With 2 touch buttons, it can turn ON/OFF the light, change light colors, and adjust the light luminance.

## Operation



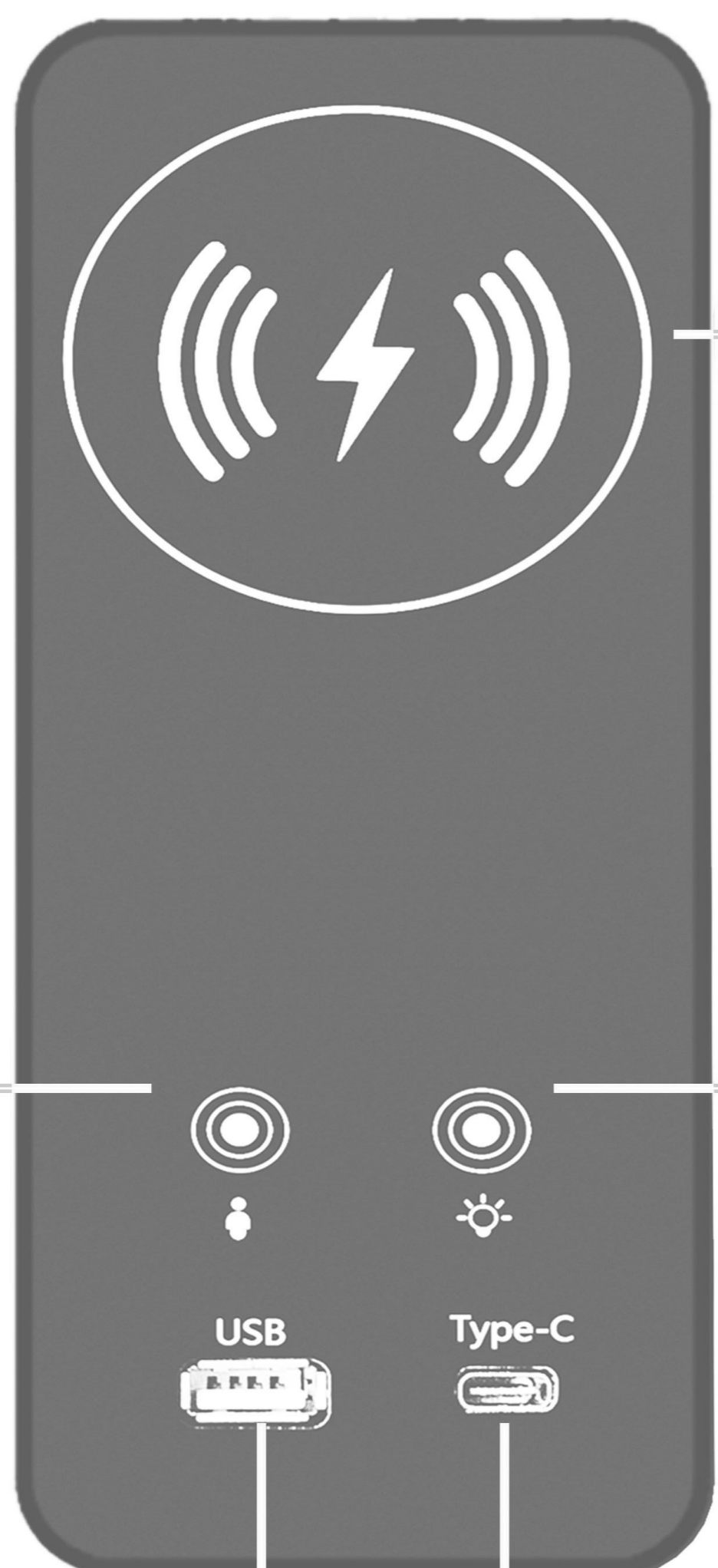
This touch button is used to turn on/off, change colors, and adjust brightness.

- A. Short touch -> lighting on -> short touch -> change light color -> short touch -> change light color -> short touch -> lighting off.
- B. Long touch -> adjust the luminance.



This touch button is used to turn on/off the induction function.

- A. Short touch to turn on the induction function. It can auto-turn on the light when people are close to the controller in 1 meters. It can auto power off the light when the body is far away from the controller after 30 seconds.
- B. Long touch to turn off the induction function.
- C. Note: When you touch the light button to change the light modes, the induction function will automatically turn off. It is best to turn on this function after selecting the light color and adjusting the brightness you want.



This range is a wireless charging area, and only mobile phones with wireless charging function can be charged.

Consumer Reminder: Important Notice for Wireless Charging Use

1, Phone-Only Wireless Charging: This device supports wireless charging for mobile phones only. Attempting to charge other electronic devices may result in danger.

2, Metal Warning: Ensure that no metal objects are placed between your phone and the wireless charger (this includes magnetic or metal phone cases).

If there are metal objects can interfere with charging or cause hazardous conditions.

Light Button

Induction Button

USB

Type-C

USB output port

Type-C output port



## ATTENTION PLEASE

1. If there is no touch response suddenly, Re-plug the power to reset the touch static electricity.
2. If bubbles appear on the panel, remove the protective film.
3. If you have any questions when installing, please feel free to contact us. Thank you.