

FAUCET INSTALLATION GUIDE

PRODUCT FEATURE

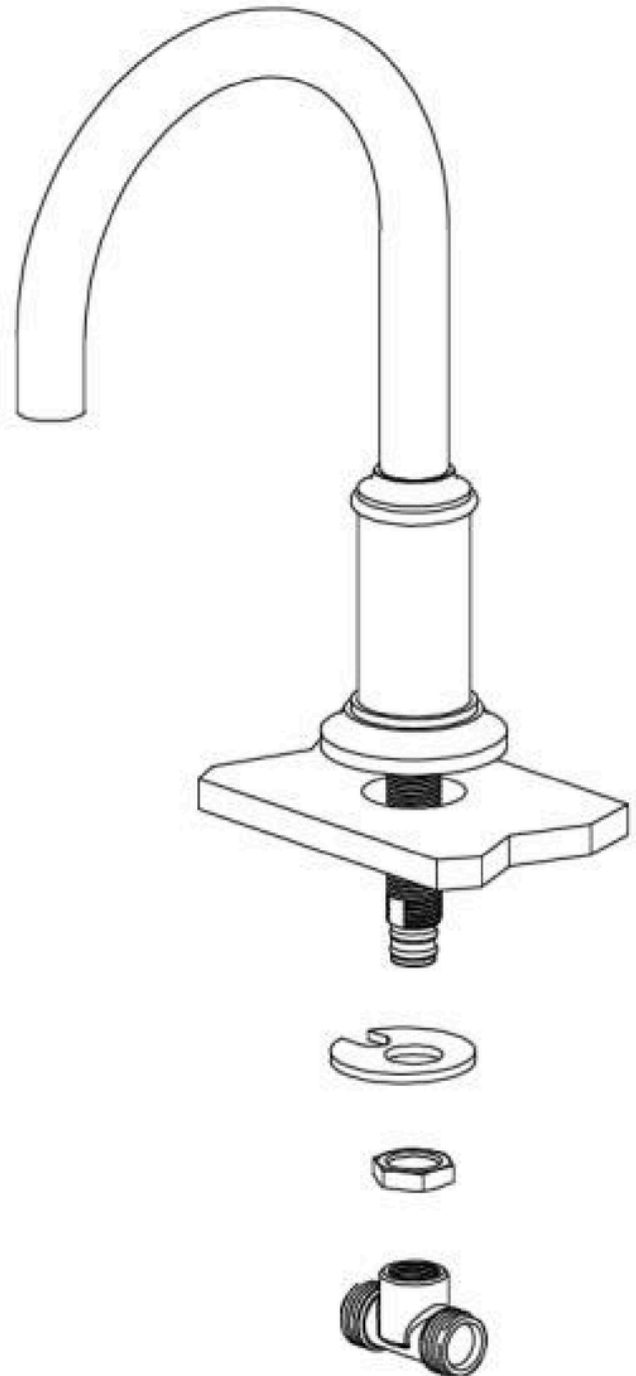
The collection of premier vintage bathroom faucets will transform any bathroom's decor to the luxury and elegance.

The crossroads of timeless design and innovative modern manufacturing processes merge harmoniously to ensure each faucet's are relicible.

Made of 100% brass, the heavy weight of our faucets lends credence to the durability and superior craftsmanship that we are known for.

SHARE US YOUR BATHROOM!

Did a good job with the installation!
we love to see how great you did!



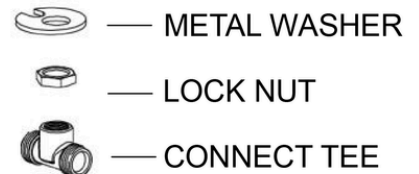
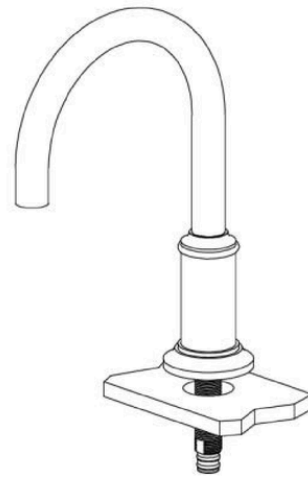
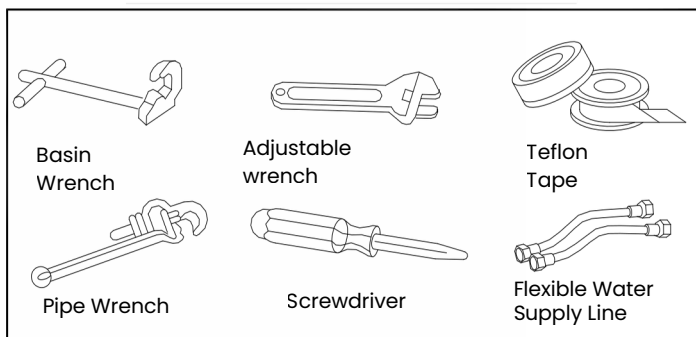
CRAFTED FOR YOU

FAUCET INSTALLATION GUIDE

BEFORE YOU BEGIN

1. Shut off water supply.
2. Carefully inspect waste and supply tubing for signs of damage.
3. Replace waste or supply tubing if necessary

WHAT TOOL YOU NEED



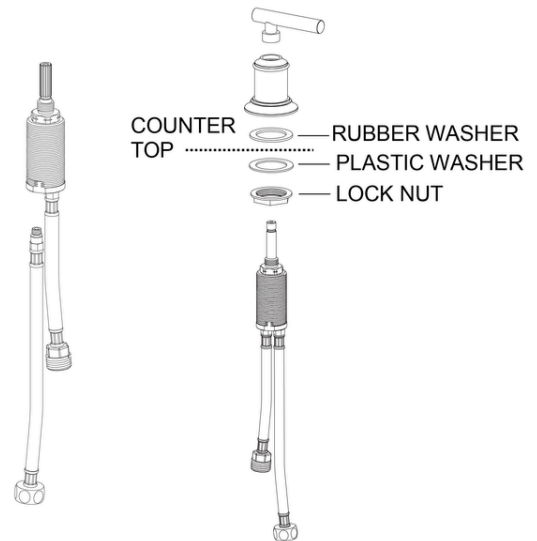
A) SPOUT INSTALLATION

1. Remove washer, lock nut and connect tee.
2. Apply plumbers' putty or sealant.
3. Locate mounting hole and insert spout into deck or lavatory.
4. Screw and tighten washers, lock nut onto the shank and secure the spout
5. insert pop-up rod into the spout.
6. Screw and tighten the connect tee to the shank.
7. Remove excessive plumbers' putty or sealant.

FAUCET INSTALLATION GUIDE

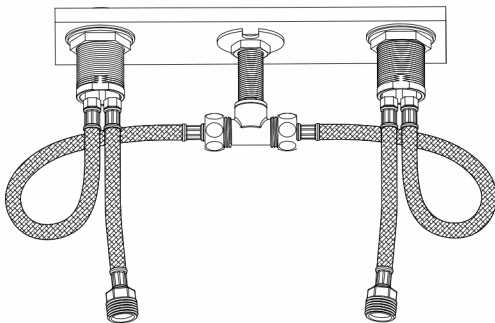
B) HANDLE VALVE INSTALLATION

1. Assemble the longer flexible hose with valve body.
2. Place lower plastic washer and lock nut over valve body.
3. Insert valve body from under the sink.
4. Place upper rubber washers and escutcheon on valve spindle.
5. Adjust position of valve body. Secure valve body with lock nut and escutcheon.
6. Place handle onto spindle.
7. Tighten handle with screw.



C) FLEXIBLE HOSE INSTALLATION

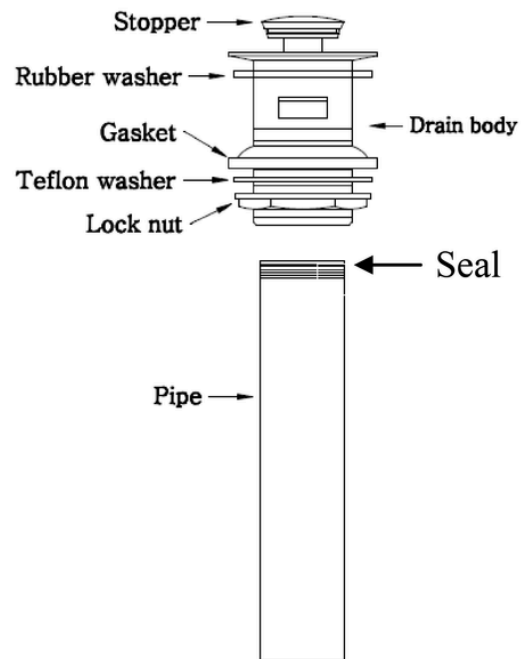
1. Connect flexible hoses to supply tee.
2. Secure hoses with wrench. Do not over tighten.
3. Circle the excessive part of hoses as shown in figure.



FAUCET INSTALLATION GUIDE

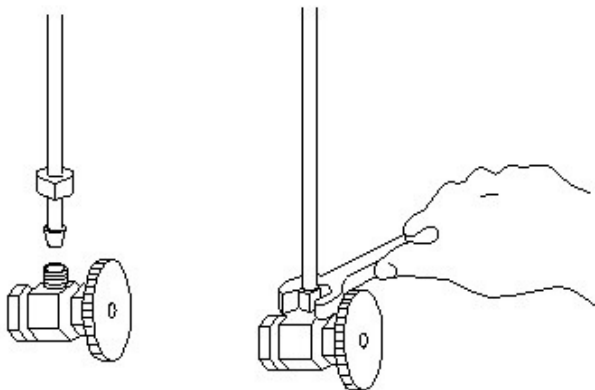
D) DRAIN WASTE INSTALLATION

1. Disassemble the drain. Only rubber washer to stay with drain body.
2. Unscrew the tail piece pipe to seal thread, assemble back to drain body.
3. Insert drain body through sink.
4. Attach the gasket, teflon washer and tighten the lock nut.



E) SUPPLY CONNECTION

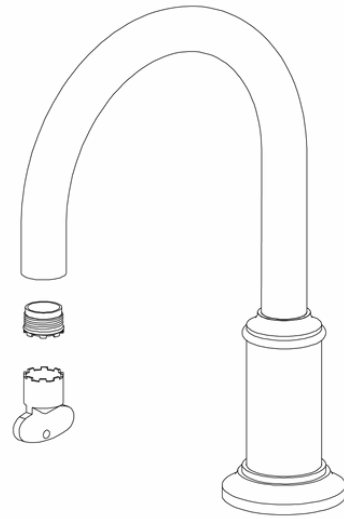
1. Install lavatory according to manufacturer's instructions.
2. Connect hoses (not provided) to angle stops.
3. Tighten all connections.
4. Flush out water for **two minutes** before connect hose to faucet valve. (This act to avoid debris trapped the flow regulator)



FAUCET INSTALLATION GUIDE

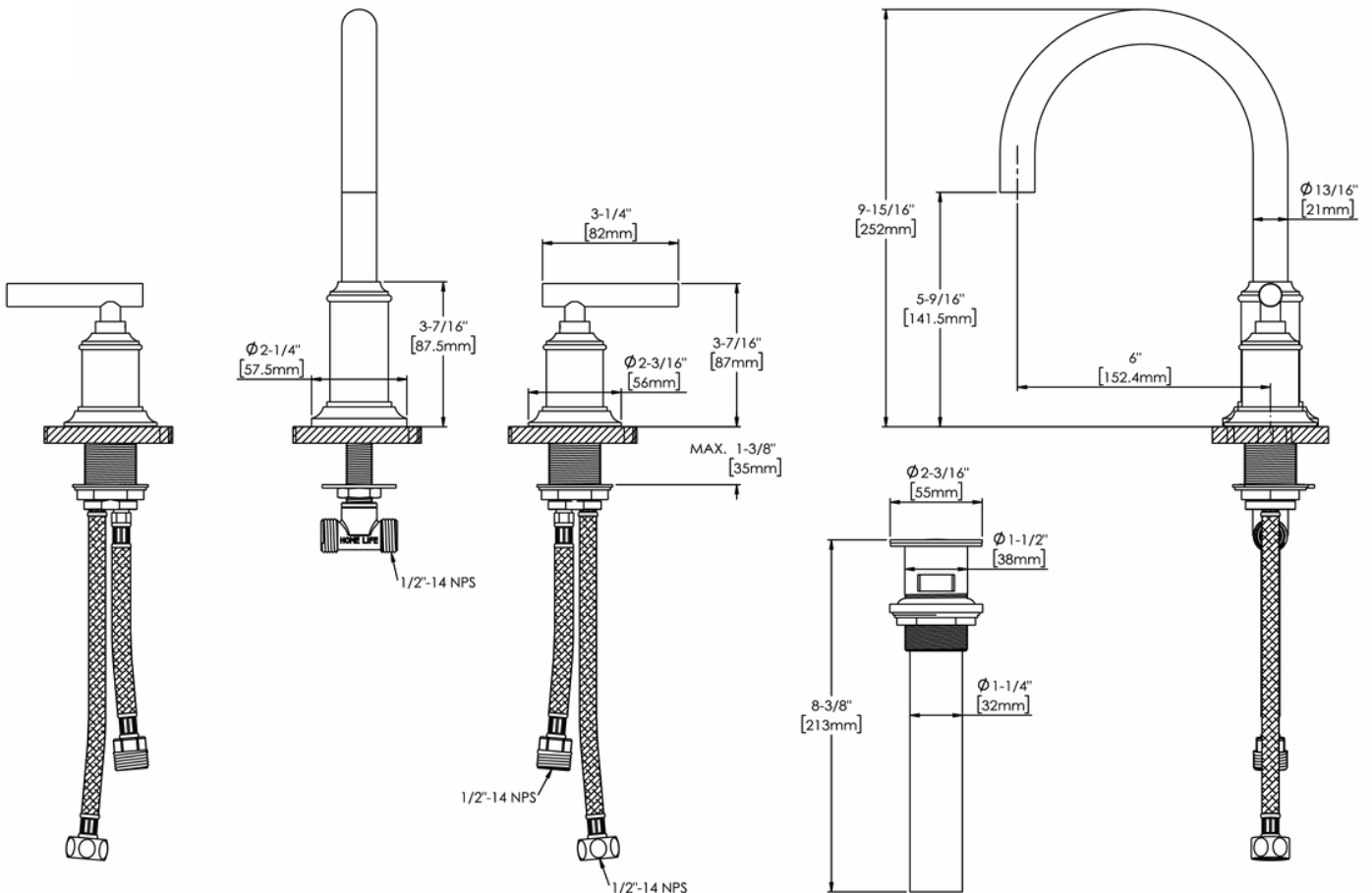
F) INSTALLATION CHECKOUT

- 1.Ensure all connections are tightened properly.
- 2.Turn on main water supply.
- 3.Turn on and off cold and hot water respectively.
- 4.Turn on both hot and cold water and turn off. Check for leaks.
- 5.Remove the aerator cap and aerator. Check for debris. Clean of necessary.
- 6.Reinstall aerator.



COMPLETE INSTALLATION

DIMENSIONS



CRAFTED FOR YOU

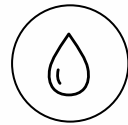
FAUCET CLEANING GUIDE



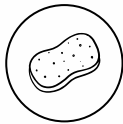
Cleaning your faucet does not have to be a time-consuming task. To avoid damage and reclamation, it is necessary to consider certain criteria when cleaning. Be sure to avoid using abrasive materials while cleaning the products.

CLEANING INSTRUCTIONS

- Clean the faucets as needed.
- Adjust the amount of cleaning product and the time it is applied according to the manufacturer's instructions.
- Clean regularly to prevent calcification.
- Do not leave the cleaner on products longer than necessary.
- When using a spray cleaner, spray it onto a cloth or sponge first – never directly onto the tapware to avoid damage from cleaner.
- After cleaning, rinse thoroughly with clean water to remove any residue.



CLEANING MATERIAL



- Use only cleaning materials specifically designed for application.
- Never use cleaning materials containing hydrochloric, formic, or acetic acid, as they can cause significant damage.
- Avoid using phosphoric acid, as it can damage the finish.
- Do not mix cleaning materials.
- Avoid using abrasive cleaning materials, such as powdered cleaners, industrial cleansers, scouring pads, or microfiber cloths.

FAUCET LIFETIME LIMITED WARRANTY

All the products carry a **One-Year Limited warranty** unless otherwise stated. The warranty is non-transferable.

We warrants its faucets to be leak and drip free during normal residential use for as long as the original purchaser owns the home. We warrants the mechanical component (cartridge) of the product to be free from defects in material and workmanship from the initial date of purchase by the owner or trade professional, from an authorized our dealer, through the lifetime term of the original owner or end-user. If the faucet should leak or drip from normal use, we will mail the replacement cartridge necessary to put the faucet in good working condition free of charge. We will make every effort to offer replacements for discontinued products; however, we cannot guarantee their availability for replacement. We is not responsible for any inspection, installation, removal, or labor costs associated.