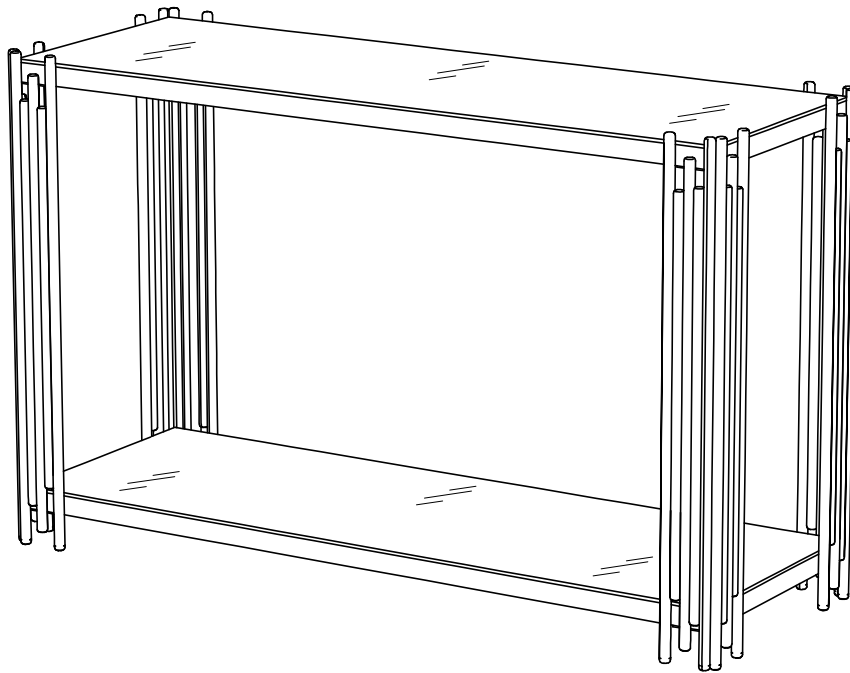
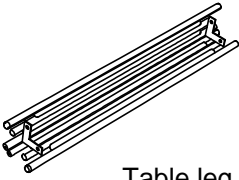

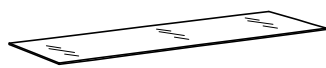



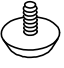
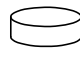

ASSEMBLE INSTRUCTION



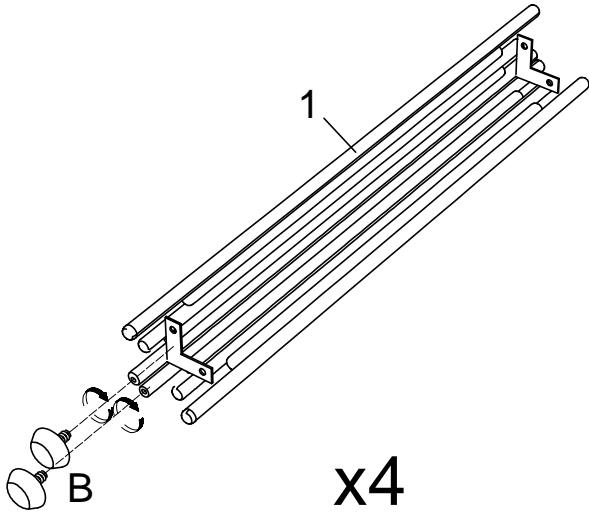
Parts List

 <p>Table leg</p>	 <p>Metal frame</p>	 <p>Glass</p>
1. 4pcs	2. 2pcs	3. 2pcs

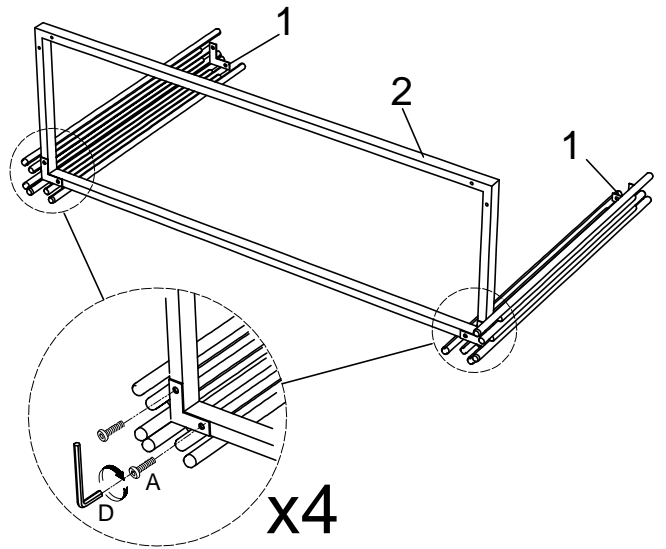
Hardware List

 <p>Screw</p>	 <p>Tack</p>	 <p>Rubber mat</p>	 <p>Wrench</p>
A. 16pcs	B. 8pcs	C. 12pcs	D. 1pc

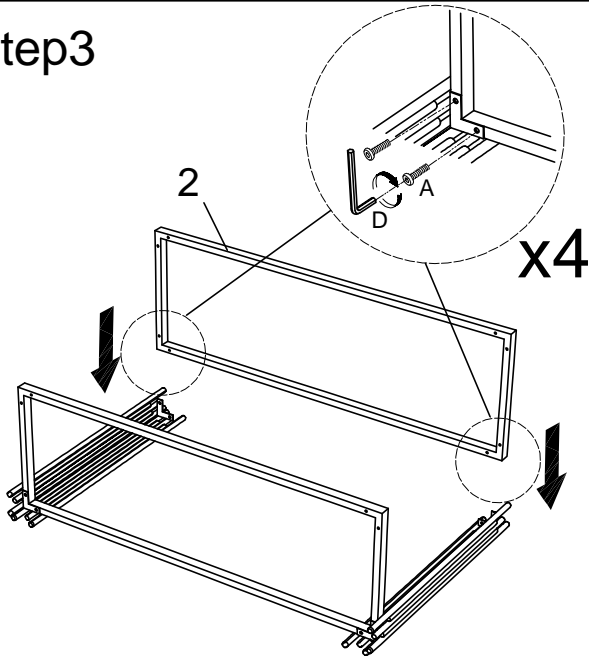
Step1



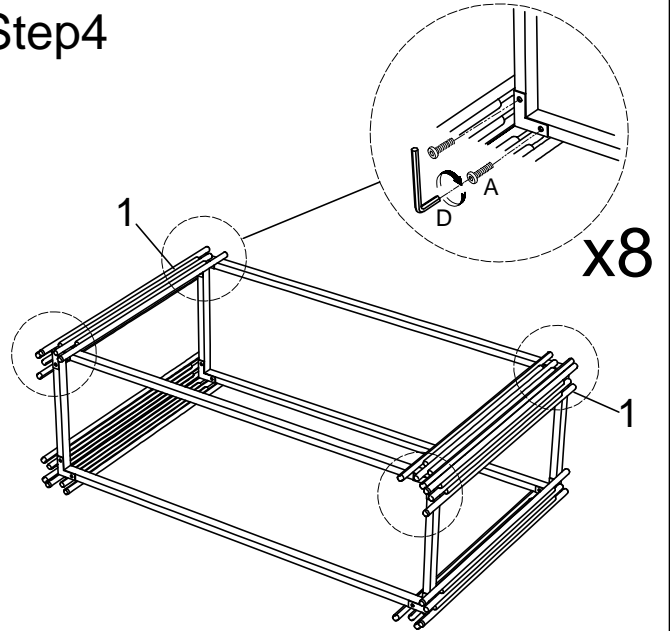
Step2



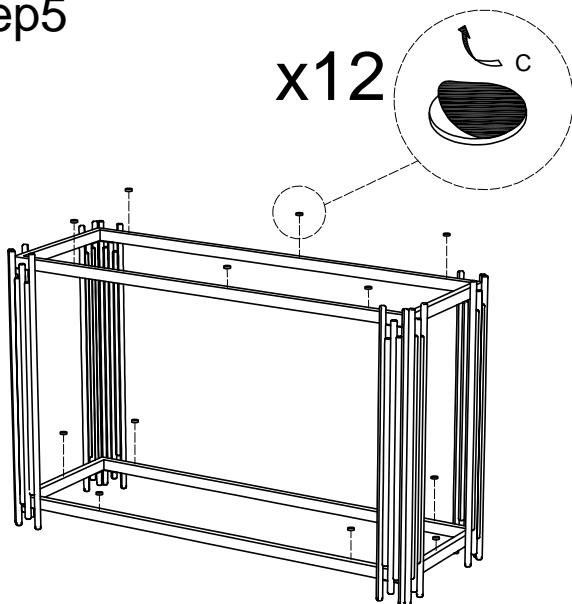
Step3



Step4



Step5



Step6

