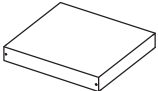
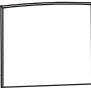








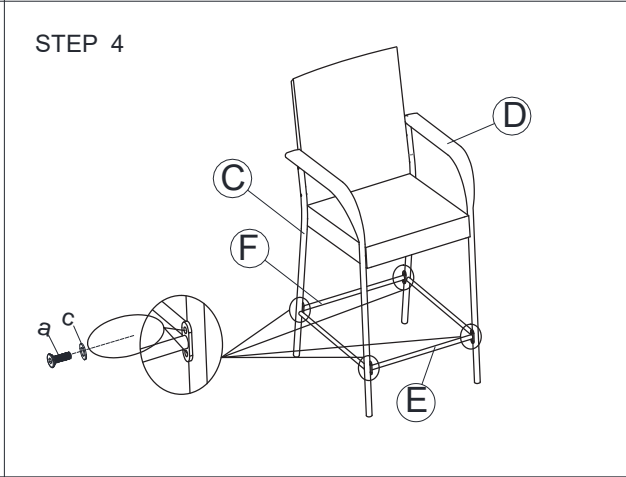
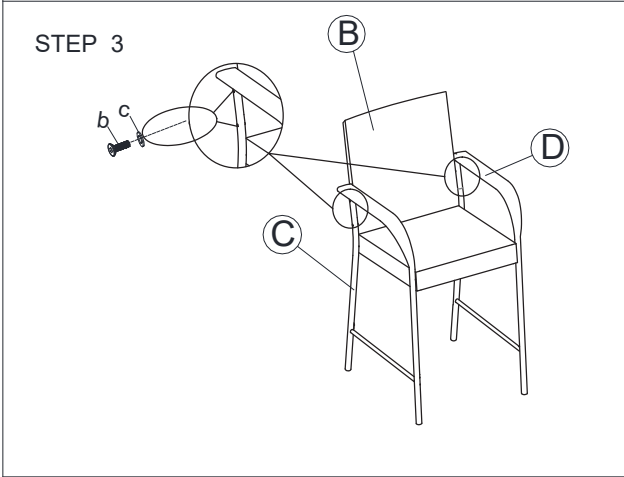
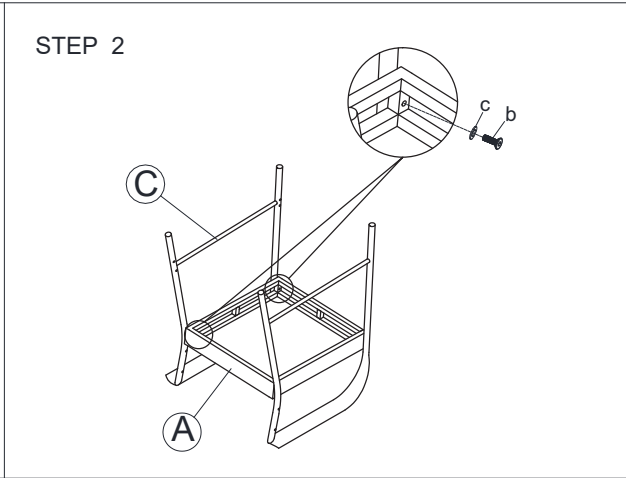
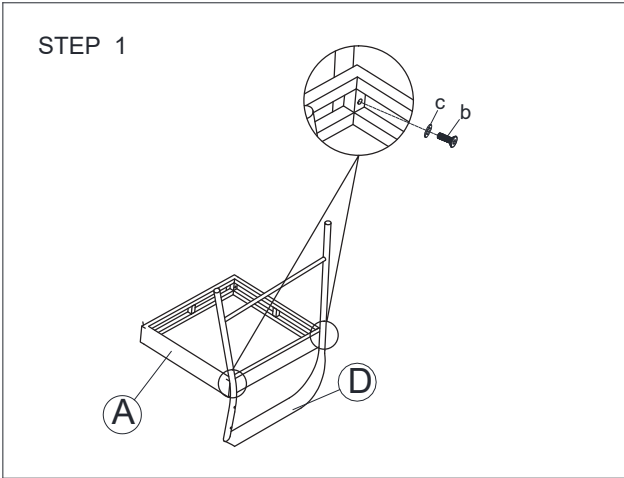


A  1PC	B  1PC
C  1PC	D  1PC
E FRONT  1PC	F BACK  1PC
a M6*15  8PCS	b M6*35  8PCS
c  16PCS	d Allen key  1PCS



NOTE: Please DO NOT fix tightly before all screws and holes connected.
Keeping all screws half - tightened will make assembling easier.Tks.
Please email us with pictures if you need any help during assembling.Thanks!