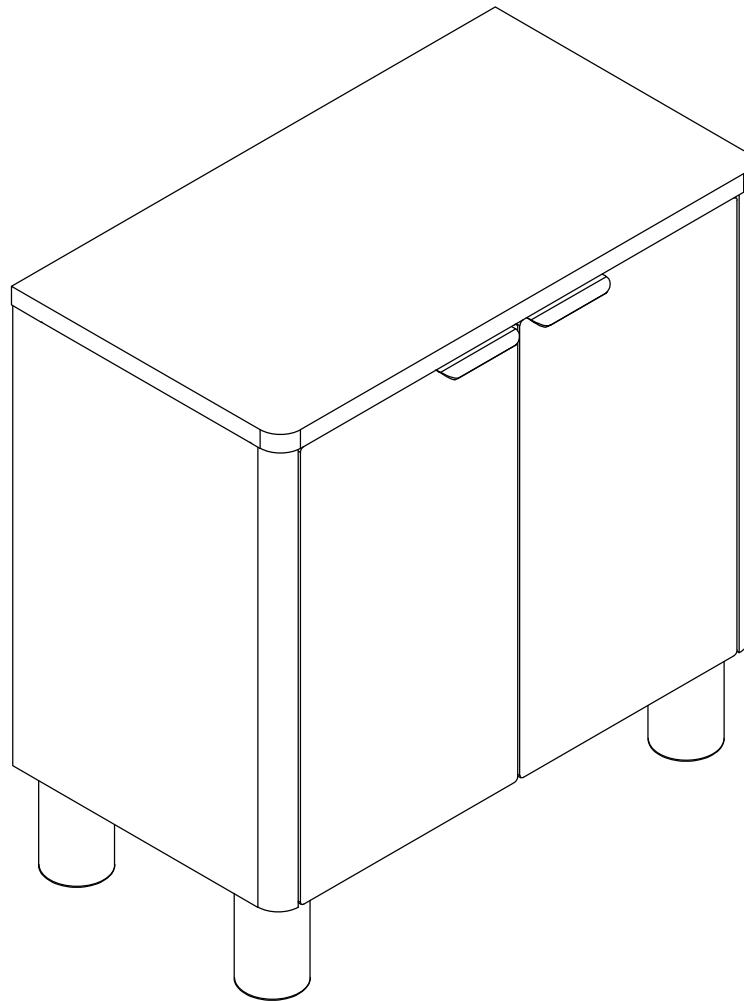


# Storage Cabinet

SKU WHIF2693



## ASSEMBLY INSTRUCTIONS



60 min. assembly

2 person

\*The estimated assembly time may vary depending on the individual.

# Hey, there

Now is assembly time!

Deeeeeeep breathe.... and again....  
Tools ready,  
Easy peasy!

## Estimated



60 min. assembly  
2 person

## Tools Required

- Screwdriver(not included)
- Power Drill(not included)
- Drill bit(not included)
- Hammer(not included)

**important:** *Cautious when you use power tools*

## Need Help?

Call us at +1 909 548 6688  
Email [customerservice@luxenhome.com](mailto:customerservice@luxenhome.com)  
Submit a ticket on [www.luxenhome.com/help](http://www.luxenhome.com/help)

Thank you for purchasing this LuxenHome product. This product has been manufactured with the highest standards of safety and quality.

### **PLEASE READ ALL INSTRUCTIONS CAREFULLY BEFORE ASSEMBLY.**

Unpack all parts from the packaging inside the carton to ensure there are no missing or damaged parts. Lay out all the parts on a clean, flat, and soft surface to prevent scratches. Refer to the steps provided as assembling guide.

Do not attempt to assemble or use the product if any parts are missing or damaged.

## REMINDERS

### **SAFE USAGE IS KEY**

Your well-being is our top priority when you use our product. Please prioritize your safety by diligently following the assembly guidelines and inspecting the product carefully both when it arrives and before each use.

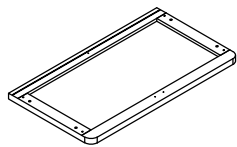
Please be aware that LuxenHome and Winsome House, Inc. cannot be held liable for any injuries or fatalities that occur due to not adhering to the provided instructions or misuse of the product.

### **DO NOT MODIFY**

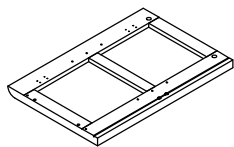
Our products undergo rigorous testing to ensure they meet established safety standards before being released for sale. Altering the product in any way can lead to serious safety concerns, for which LuxenHome cannot assume responsibility.

# What's in the box

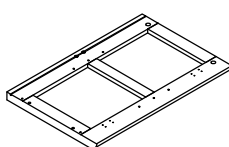
## Parts



**1** X 1  
Top Panel



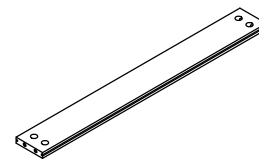
**2** X 1  
Left Side Panel



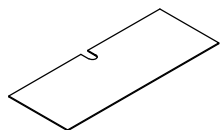
**3** X 1  
Right Side Panel



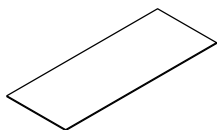
**4** X 4  
Leg



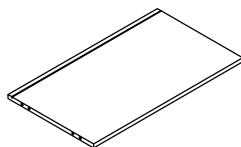
**5** X 1  
Middle Back Panel



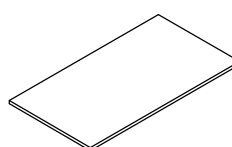
**6** X 1  
Upper Back Panel



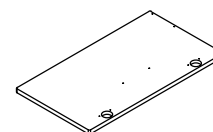
**7** X 1  
Lower Back Panel



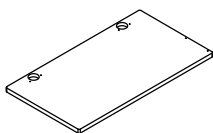
**8** X 1  
Bottom Panel



**9** X 1  
Shelf Panel

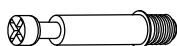


**10** X 1  
Left Door Panel



**11** X 1  
Right Door Panel

## Hardware & Accessory



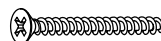
**A** X 12(+1)  
Ø6 x 35mm



**B** X 12(+1)  
Ø15x10mm



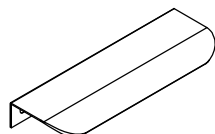
**C** X 8(+1)  
Ø6x30mm



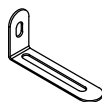
**D** X 1  
4x35mm



**E** X 6(+1)  
Ø3.5x12mm



**F** X 2



**G** X 1



**H-2**

**H** X 12(+1)  
Ø3x16mm



**L** X 1  
Ø4x14mm



**J** X 1  
6x30mm



**K** X 4



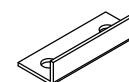
**L** X 36(+4)  
4x14mm



**M** X 4



**N** X 4(+1)

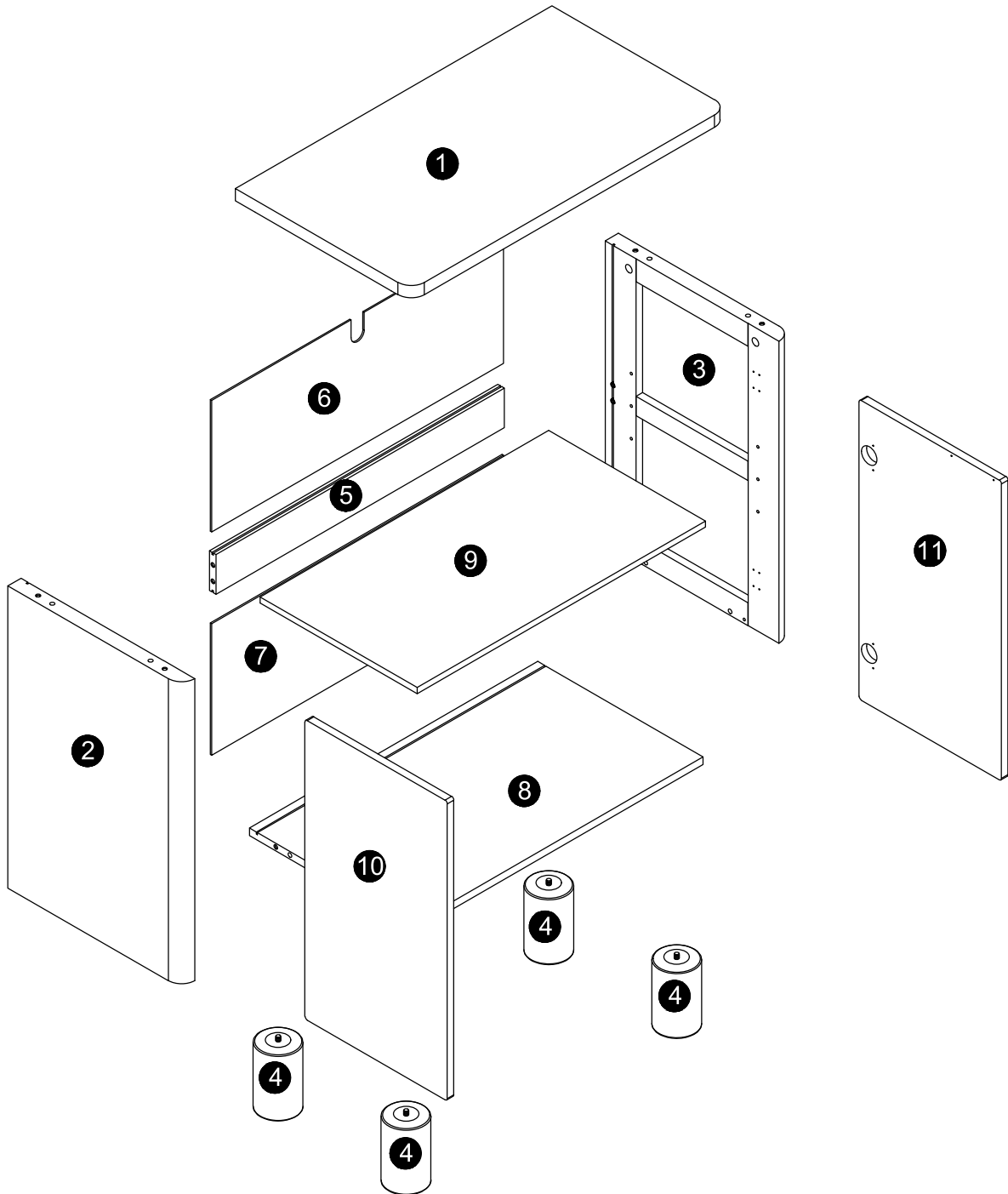


**O** X 1



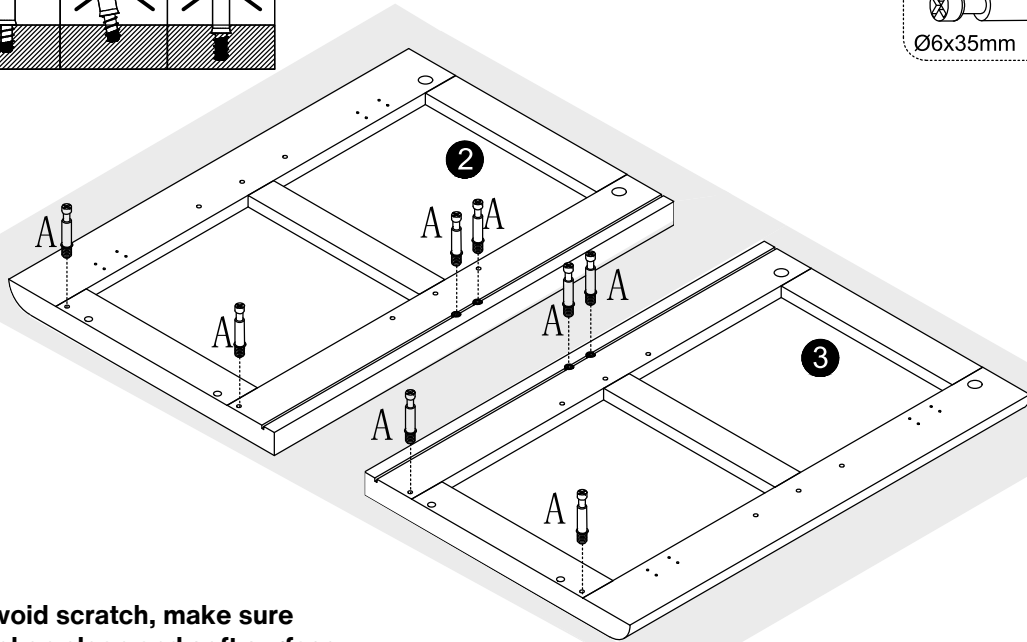
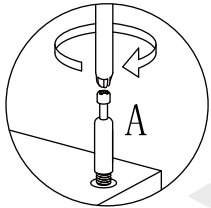
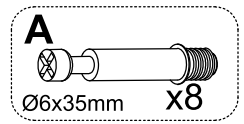
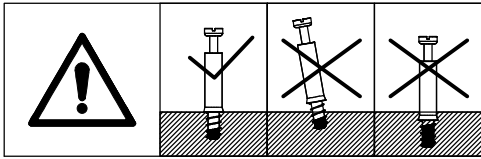
**P** X 4  
Ø70mm

# Assembly



# Step 1

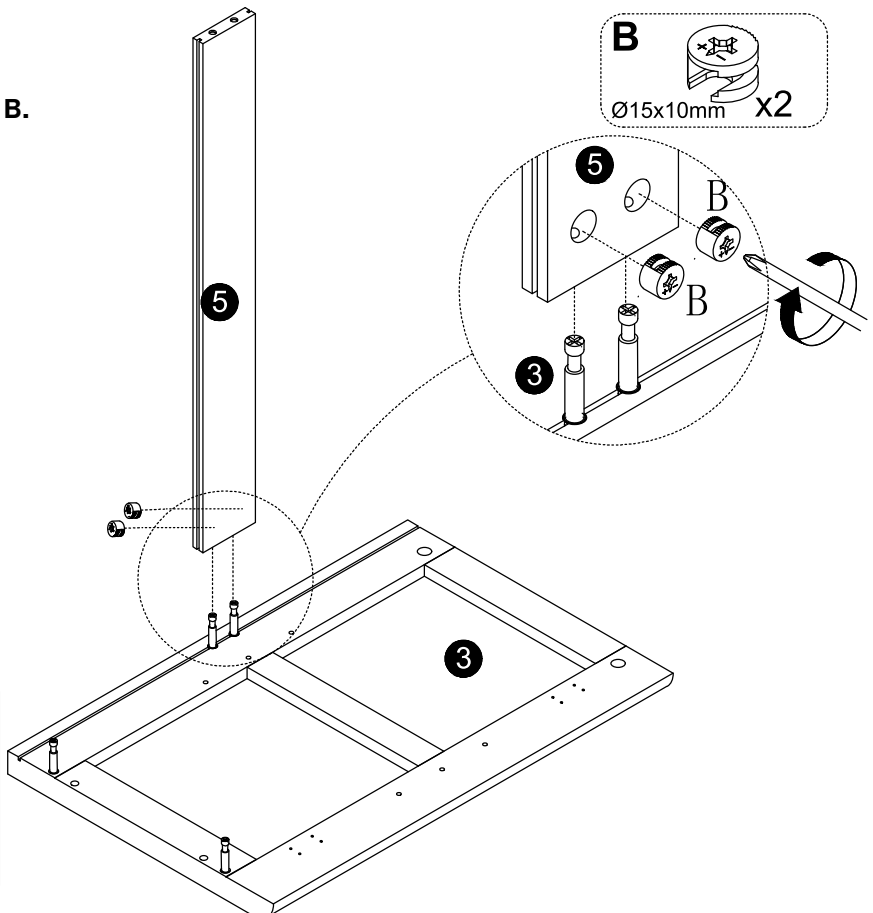
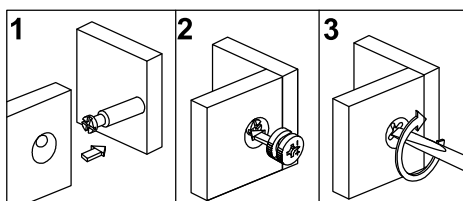
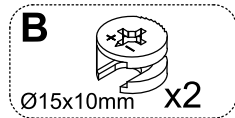
Fix 8pcs screw A onto panel 2 / 3.



**Warning:** To avoid scratch, make sure to put the panel on clean and soft surface

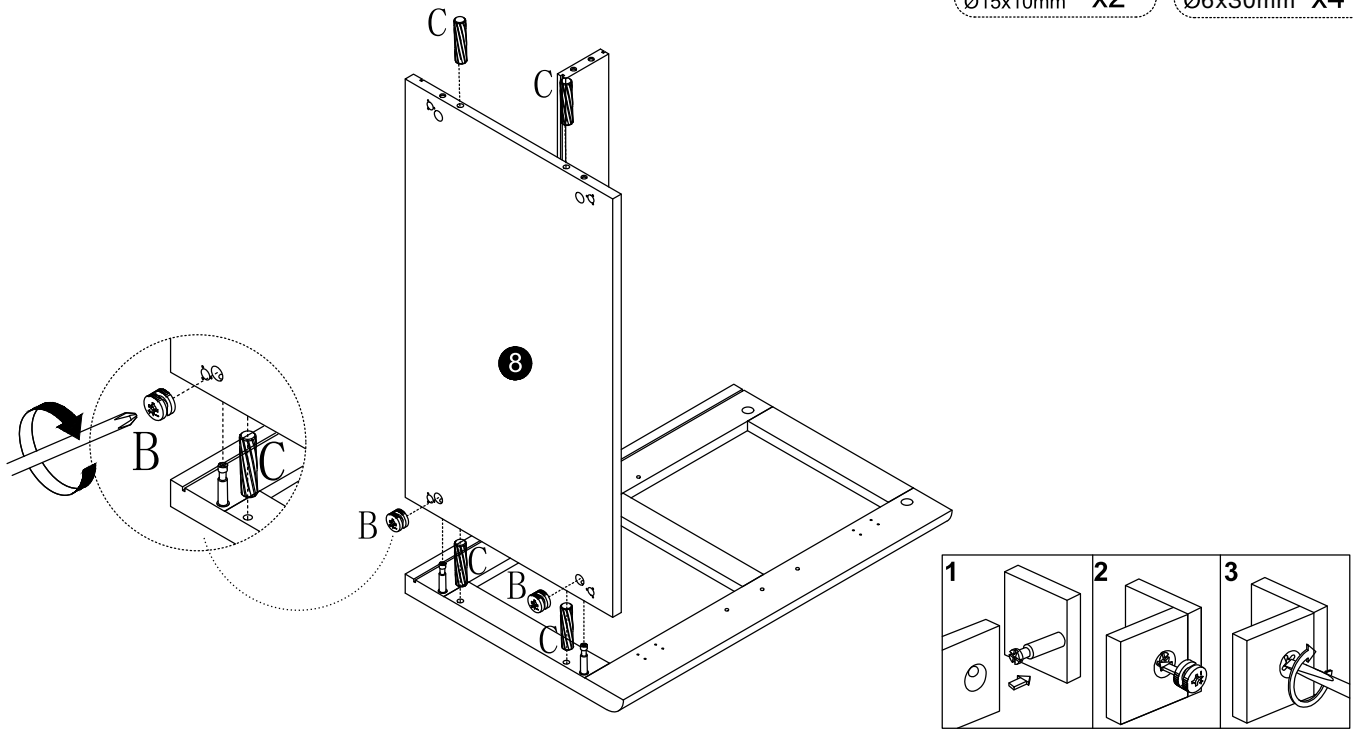
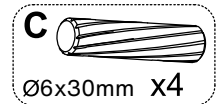
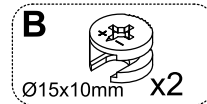
# Step 2

Connect panel 5 and panel 3 with 2pcs B.



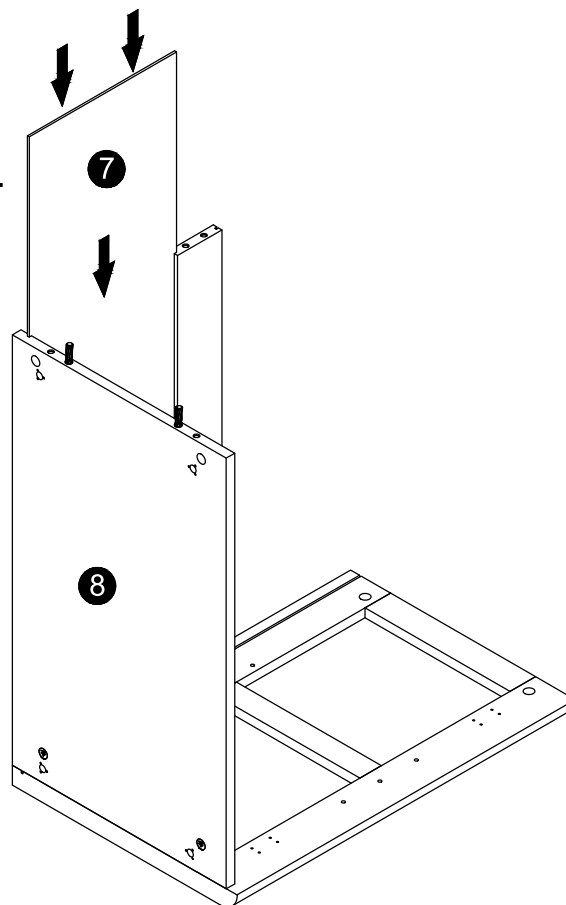
# Step 3

Connect panel 8 and panel 3 with 2pcs B and 2pcs C on bottom.  
Put 2pcs C on top using to connect panel 2 on Step 5.



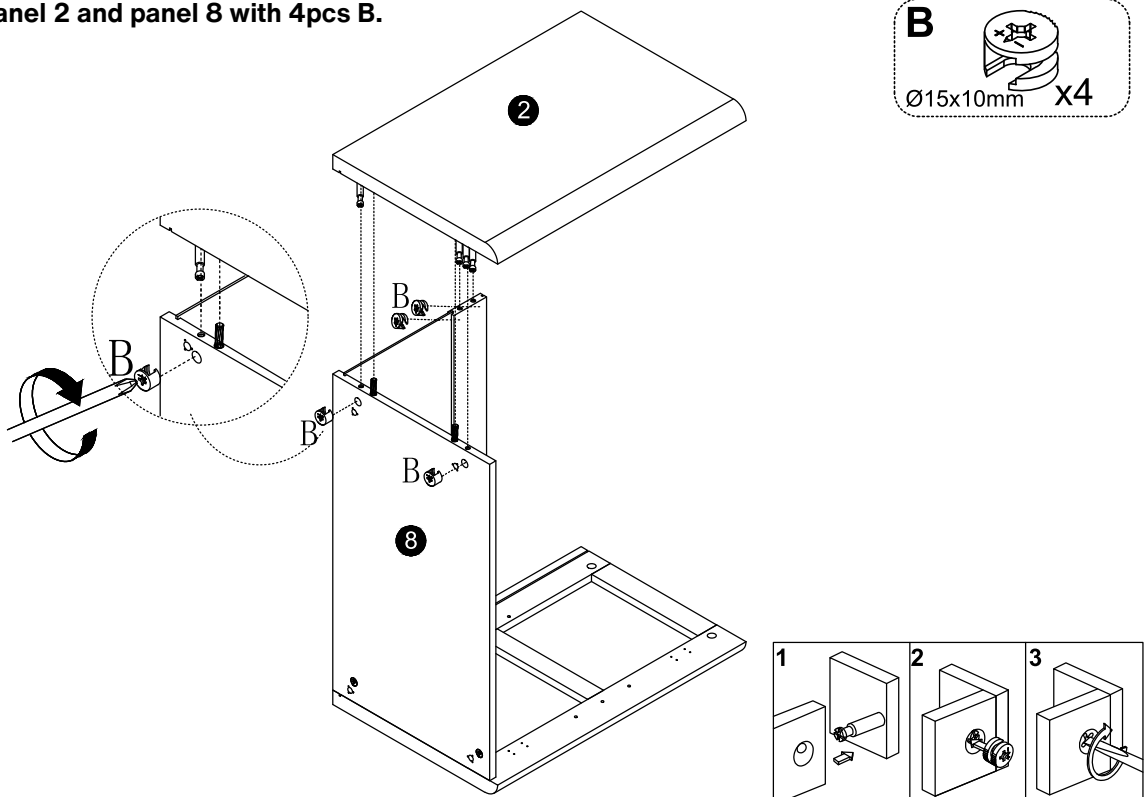
# Step 4

Insert panel 7 into lower part of panel 5.



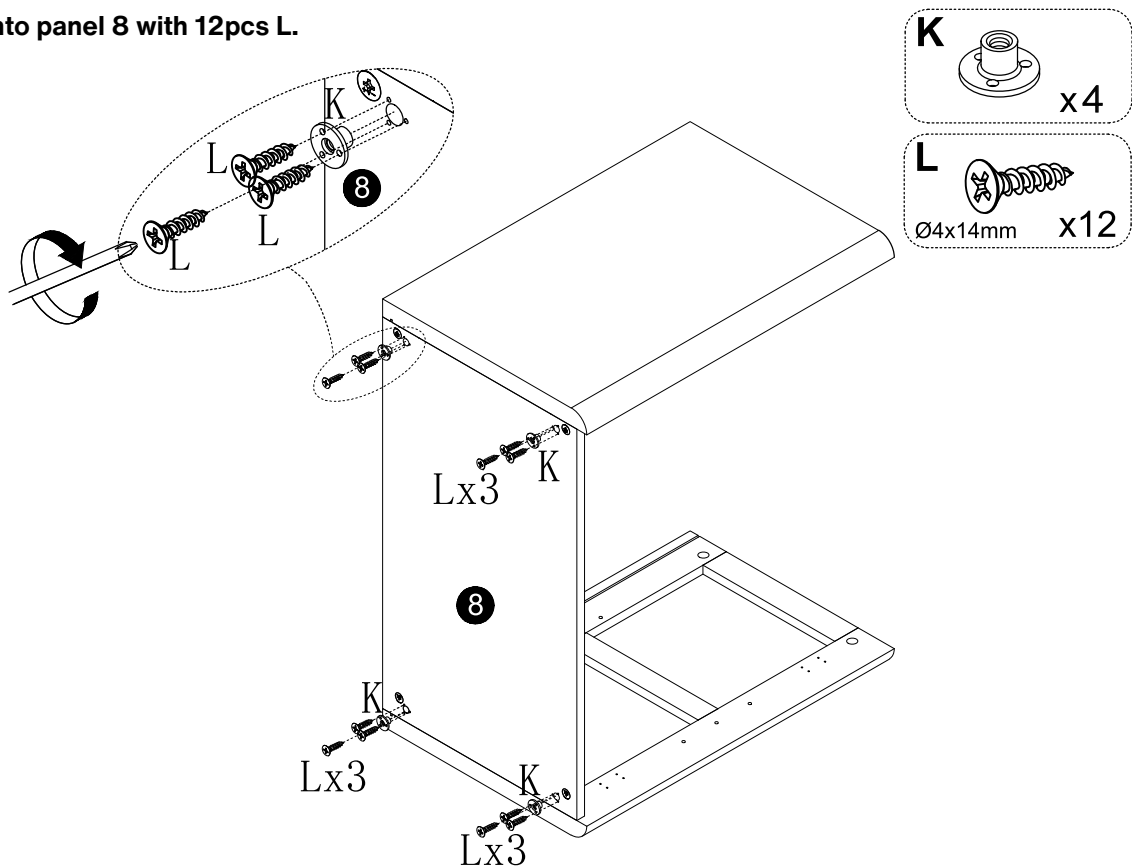
# Step 5

Connect panel 2 and panel 8 with 4pcs B.



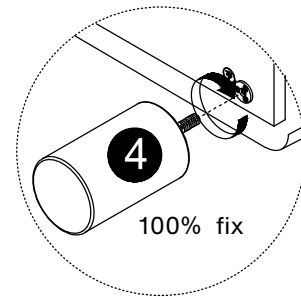
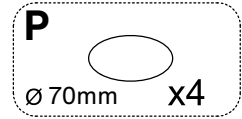
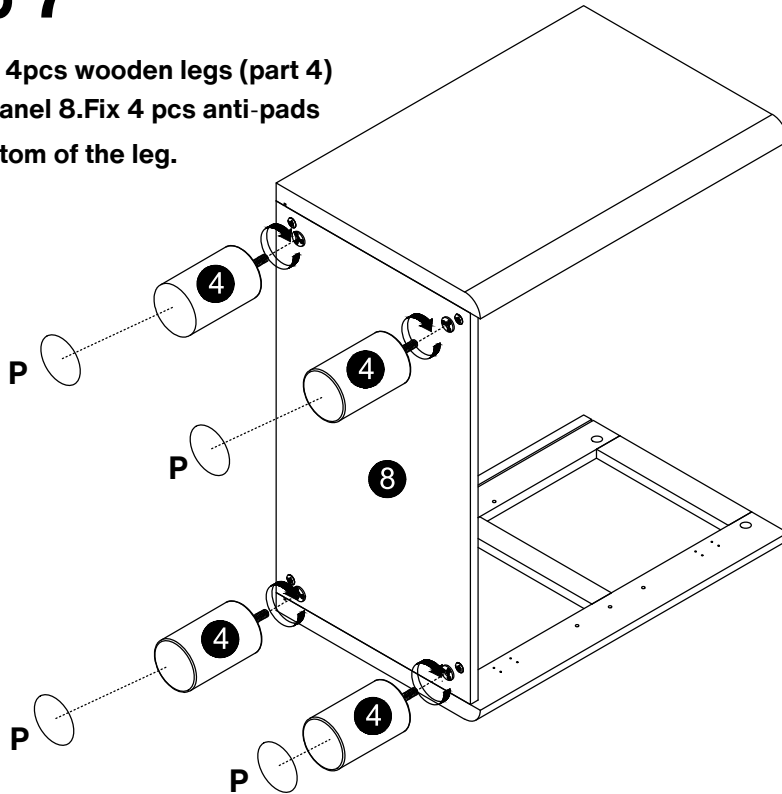
# Step 6

Fix 4pcs K onto panel 8 with 12pcs L.



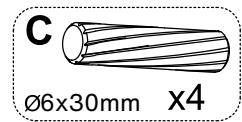
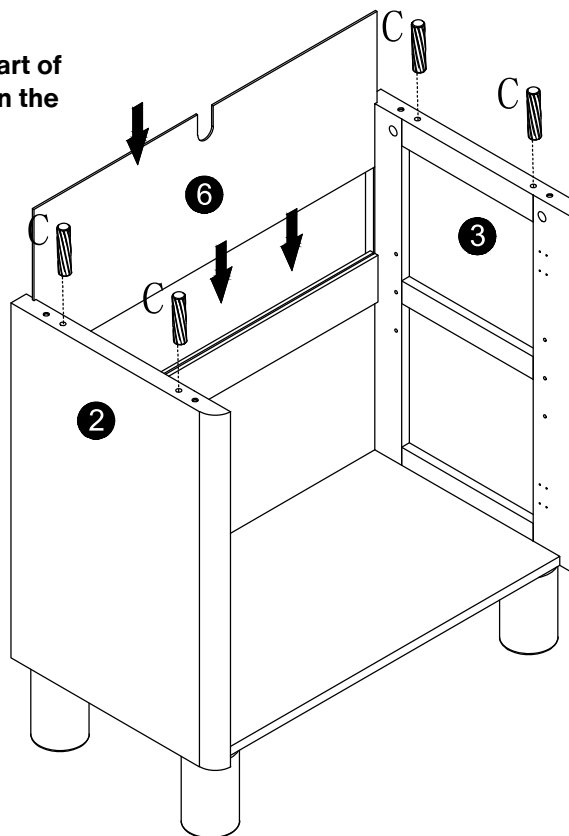
# Step 7

Assemble 4pcs wooden legs (part 4)  
onto the panel 8. Fix 4 pcs anti-pads  
on the bottom of the leg.



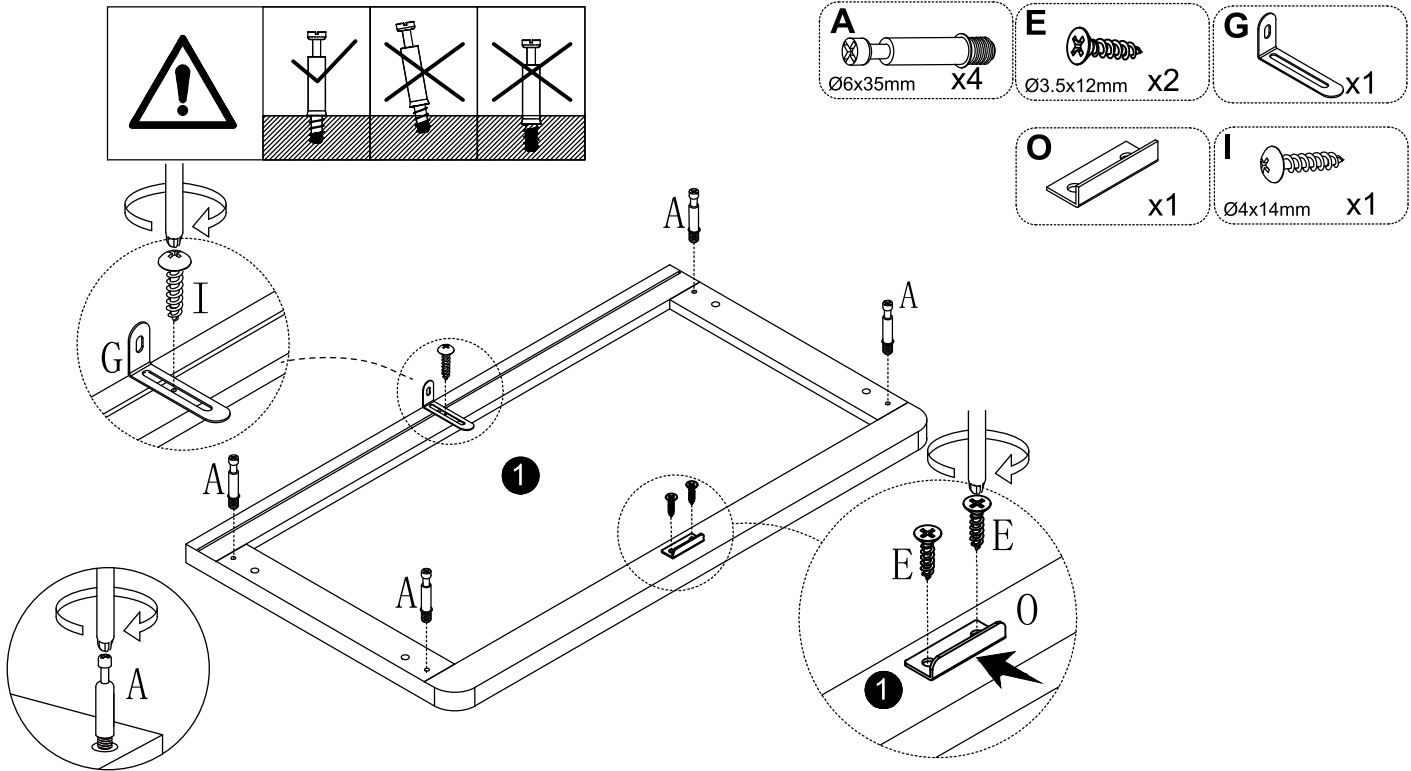
# Step 8

Insert panel 6 into upper part of  
panel 5. Fix 2pcs C each on the  
top of panel 2/3



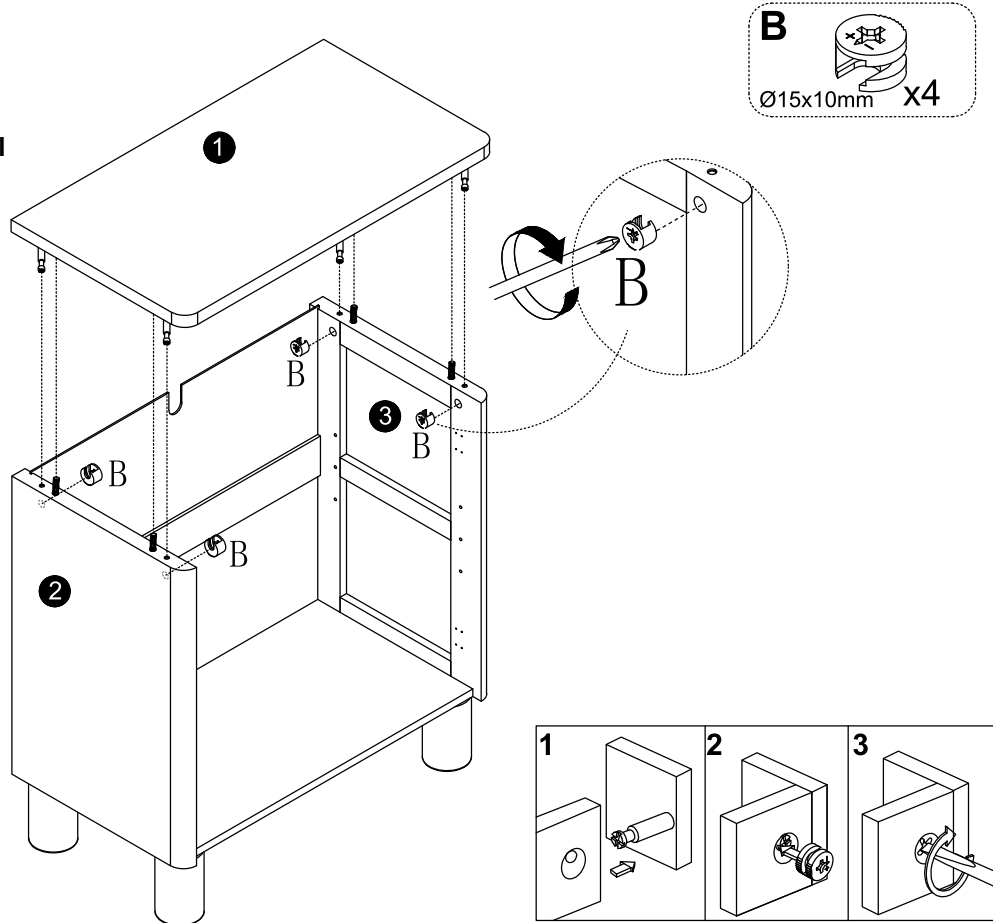
# Step 9

Fix 4pcs A, 1pc G (using 1pc I) and 1pc O (using 2pcs E) onto panel 1.



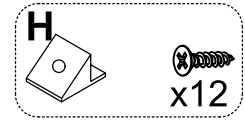
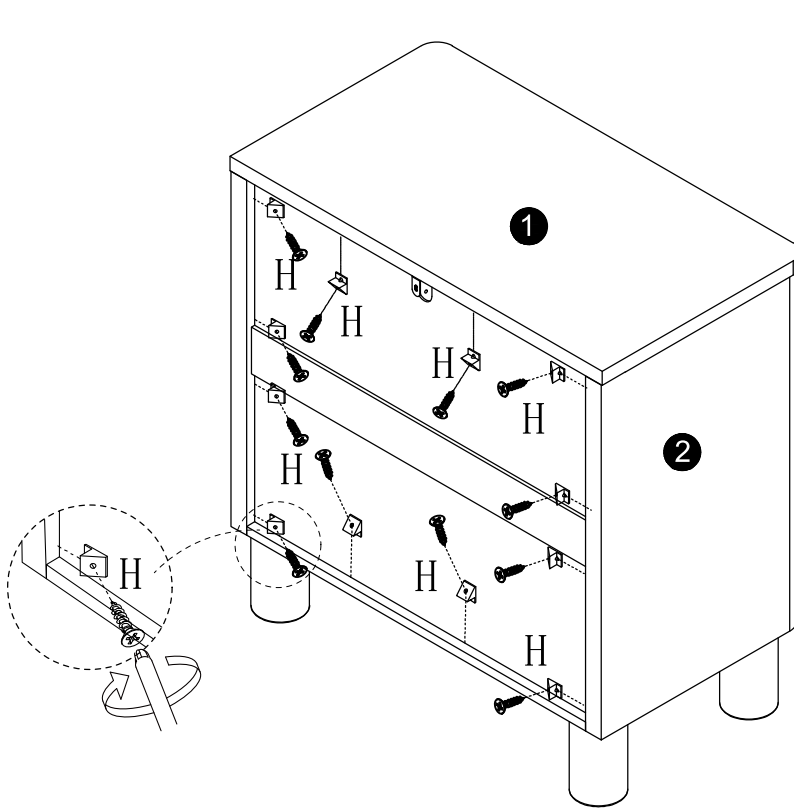
# Step 10

Connect panel 1 and panel 2/3/6 by 4pcs B.

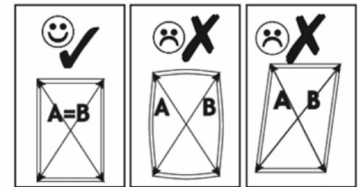


# Step 11

Insert 12pcs H on the back panel of the cabinet.

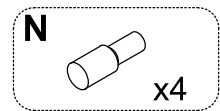
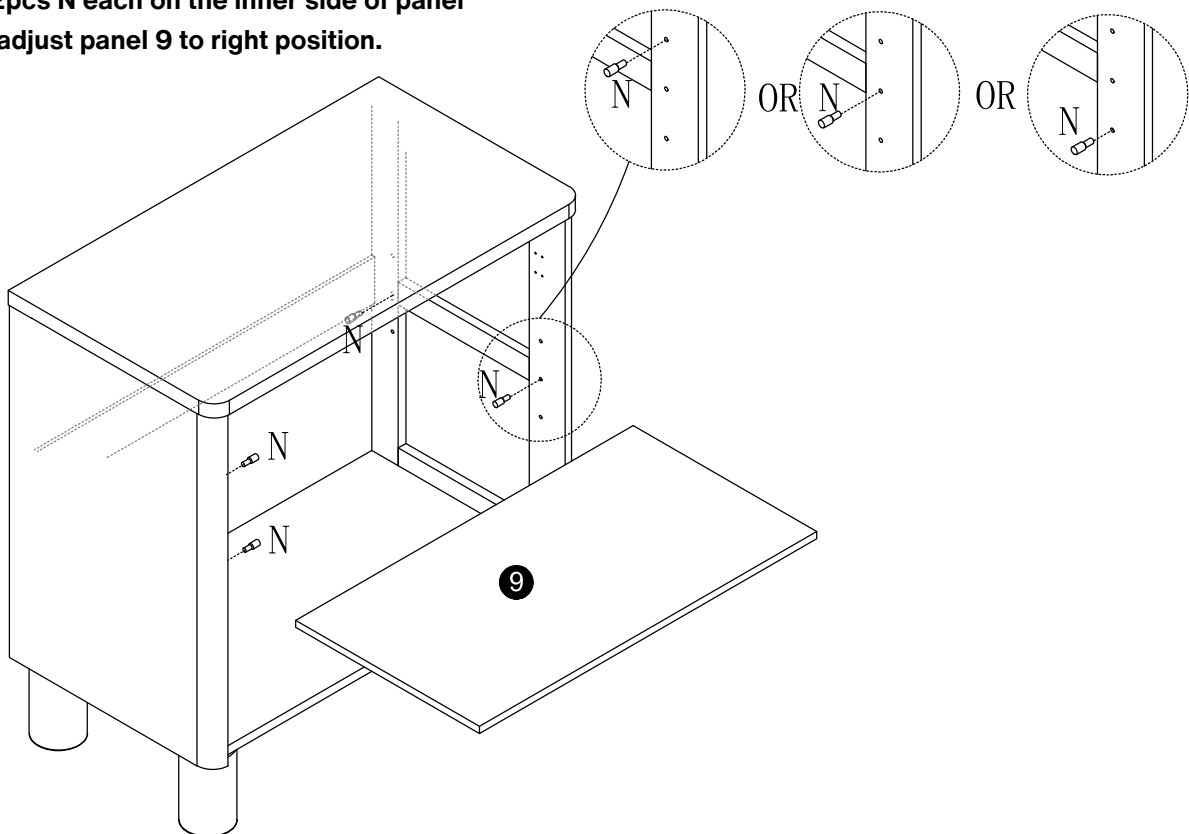


**ATTENTION PLEASE :** Please ensure the structure is straight and level and all panels are at right angles before installing the back buckles, **MUST** install back buckles to strengthen product stability.



# Step 12

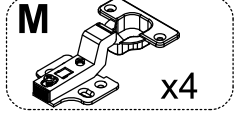
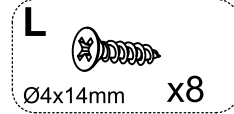
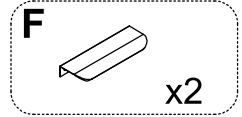
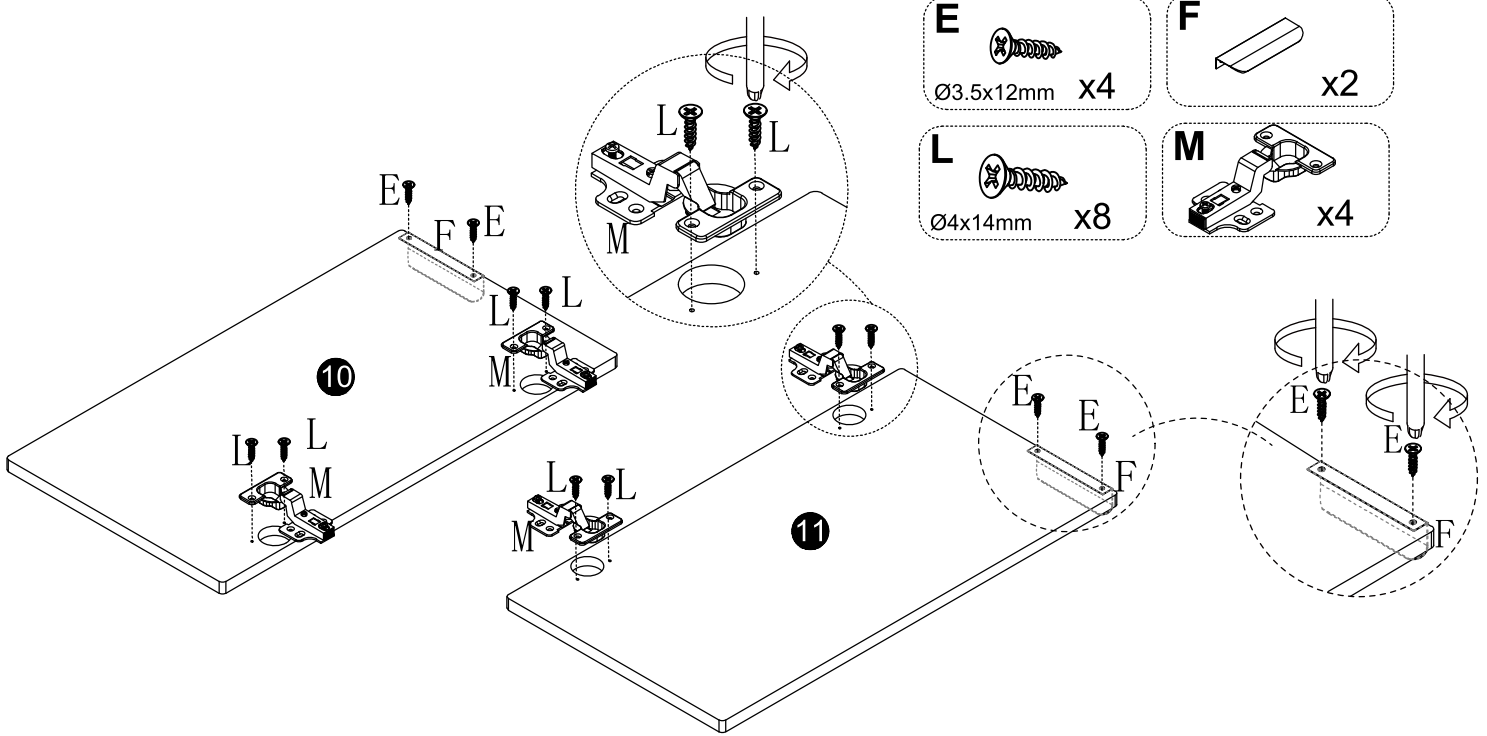
Insert 2pcs N each on the inner side of panel 2/3 to adjust panel 9 to right position.



# Step 13

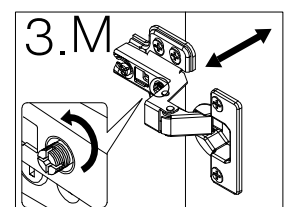
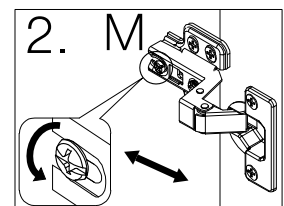
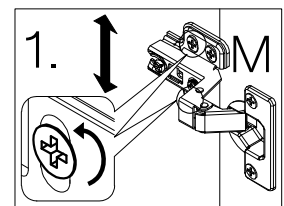
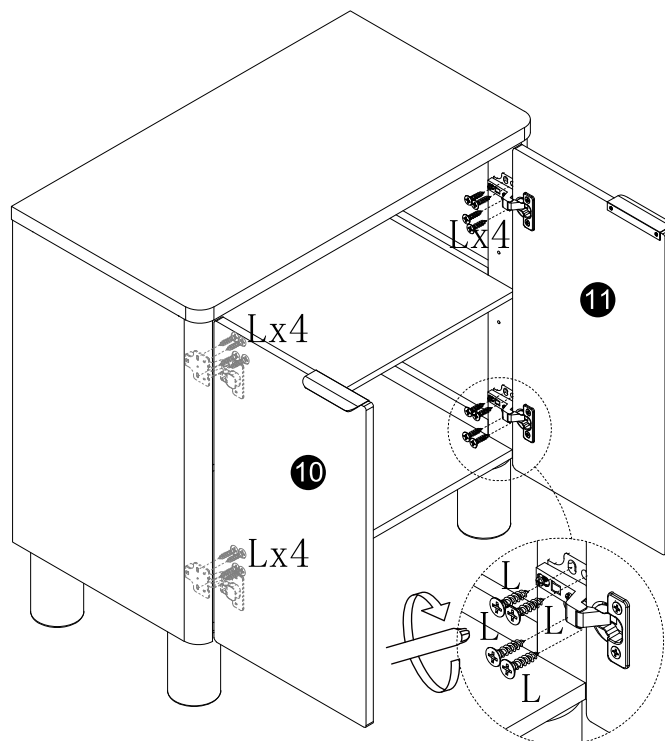
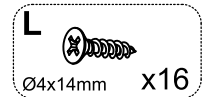
Use 2pcs L each to fix 4pcs M on panel 10/11.

Use 2pcs E each to lock 2pcs F on the top back of panel 10/11.



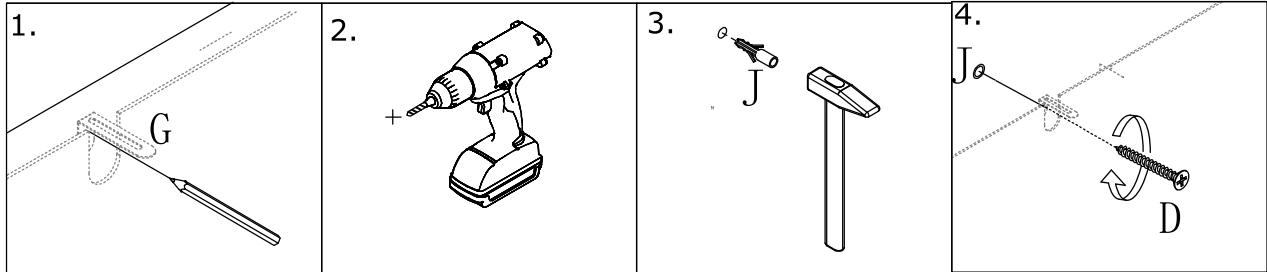
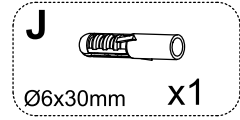
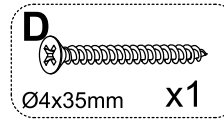
# Step 14

Connect panel 10/11 and panel 2/3 with 16pcs L.

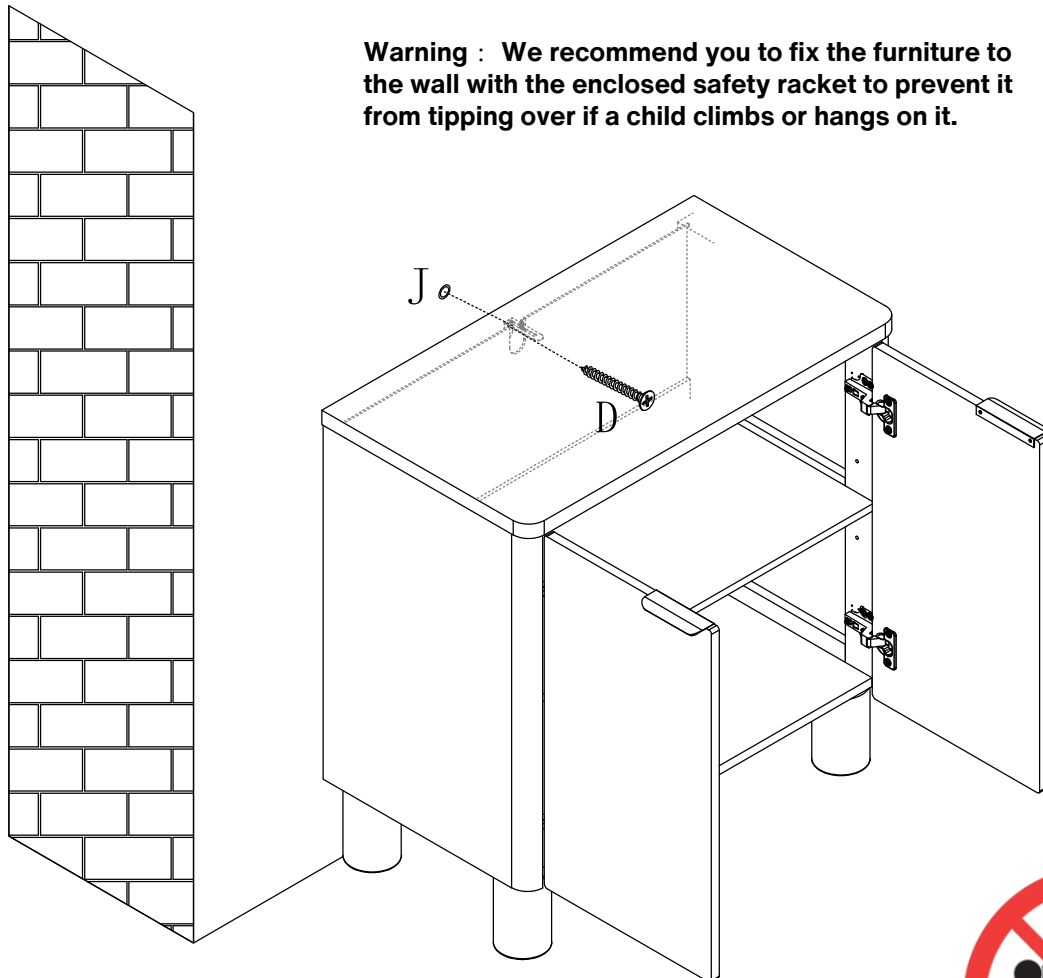


# Step 15

Fix the cabinet to the wall with 1pc D and 1pc J.

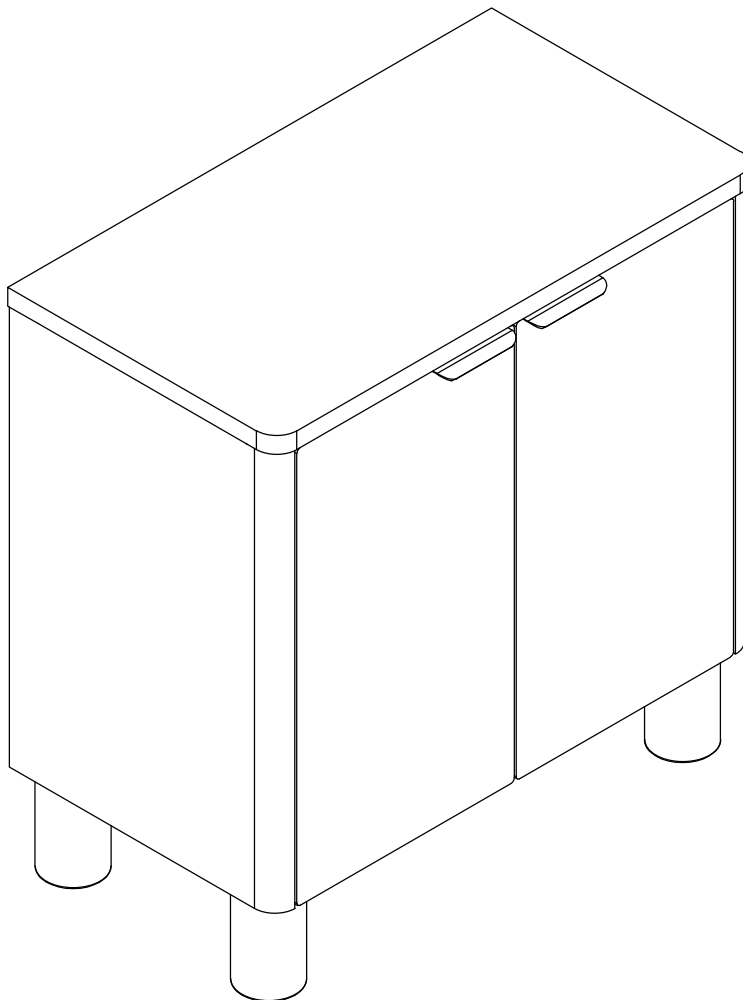


**Warning :** We recommend you to fix the furniture to the wall with the enclosed safety racket to prevent it from tipping over if a child climbs or hangs on it.



# VOILA!

Now enjoy.



## Warning

DO NOT climb, sit, or stand on the Cabinet as this may damage the product and cause serious bodily injury.

# Something not right?

We are always here to help.

## **We make mistakes like every human does.**

Though we always strive to provide the best possible products at competitive prices and the best service in the industry, it's not possible to completely eliminate mistakes. If you experience any dissatisfaction, feel free to contact us immediately. Our in-house customer care team will respond ASAP.



[customerservice@luxenhome.com](mailto:customerservice@luxenhome.com)  
Get response within 24 hrs



909.548.6688  
Mon-Fri 9am-5pm PST/PDT



[www.luxenhome.com/help](http://www.luxenhome.com/help)  
Submit a ticket on our website

## **Things to do to expedite the process**

- Have your order# ready
- Take photos/videos to help us better identify the issues
- DO NOT throw away the packaging

# Happy with our product?

## Leave us a review

It really help us as a small business

- Find the product you purchased on our website (tip: search by SKU) and leave us a review.
- Alternatively, you can always return to the marketplace where you purchased it and leave a review there.

## Share with others

Our customers look for REAL stuff



- Follow us on IG @luxen.home
- Share your #liveluxen moments



**Please save this manual  
for future reference.**