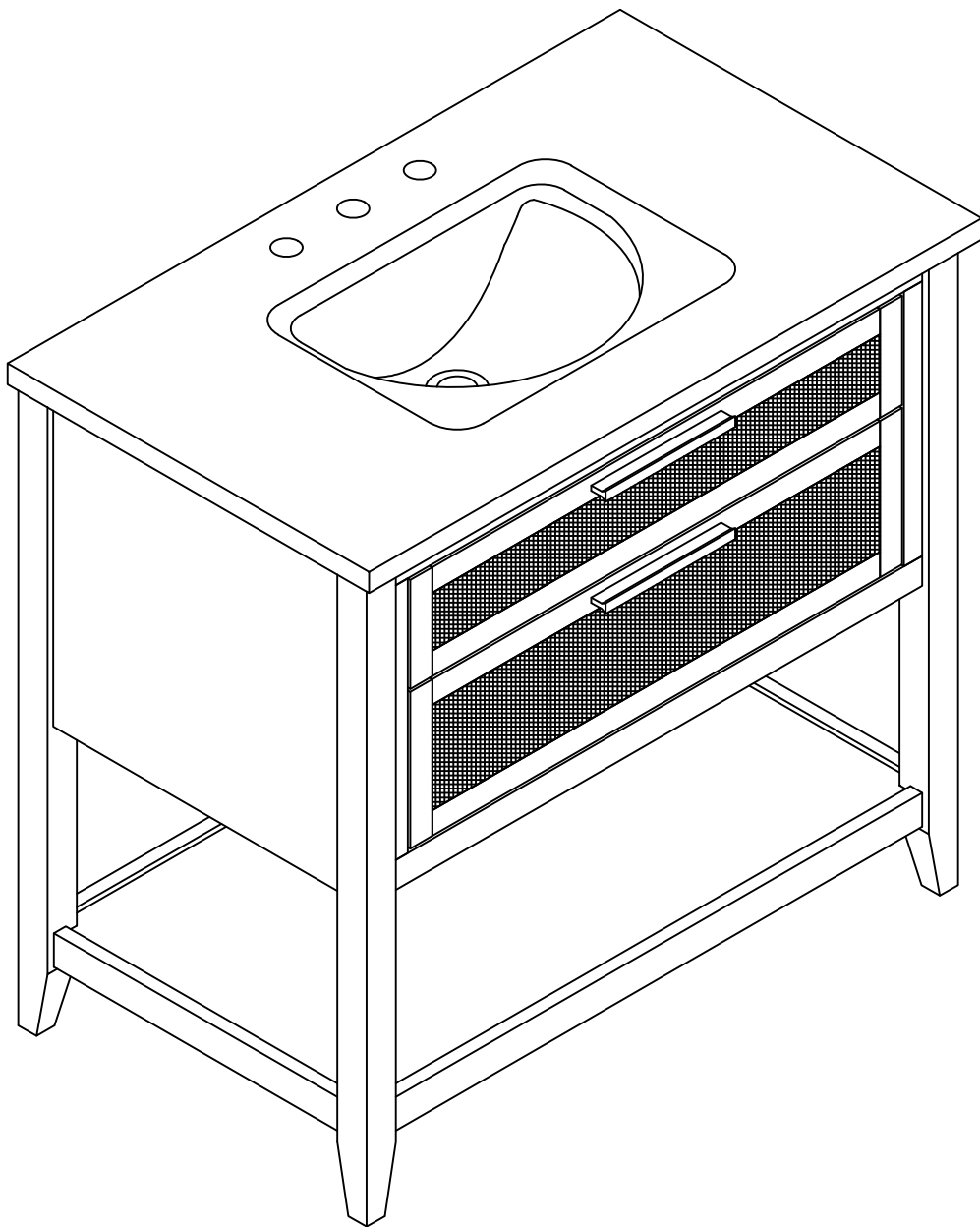
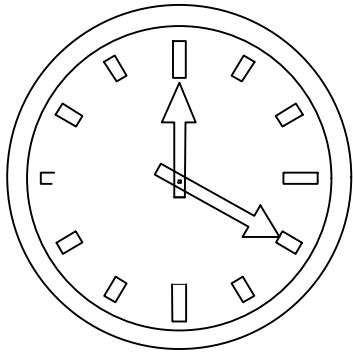


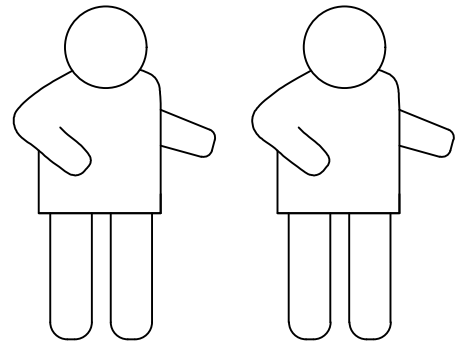
Assembly Instructions

37" Bathroom Vanity - Grey

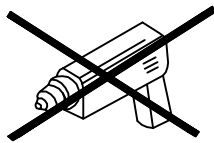
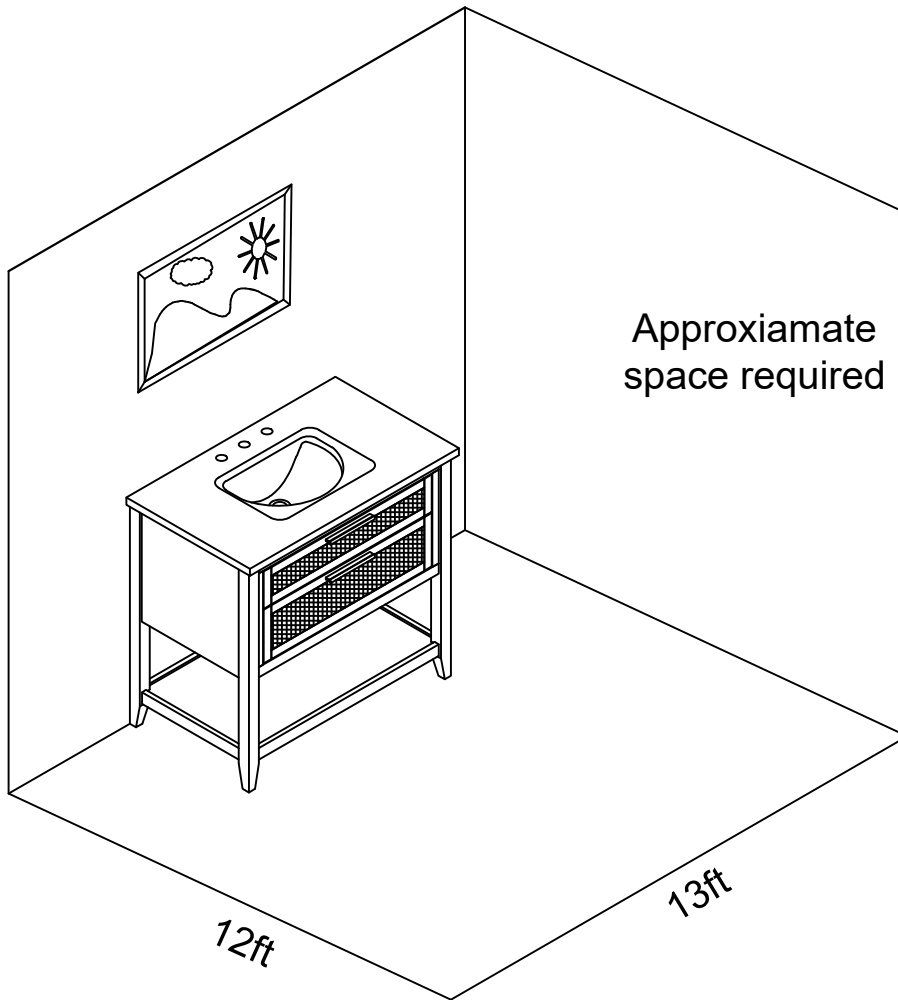




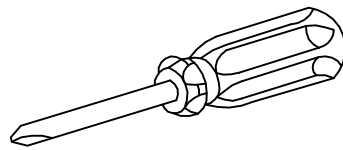
20 min



Two People Required
for Assembly



Do Not Use Power Tools



Phillips Head
Not Provided



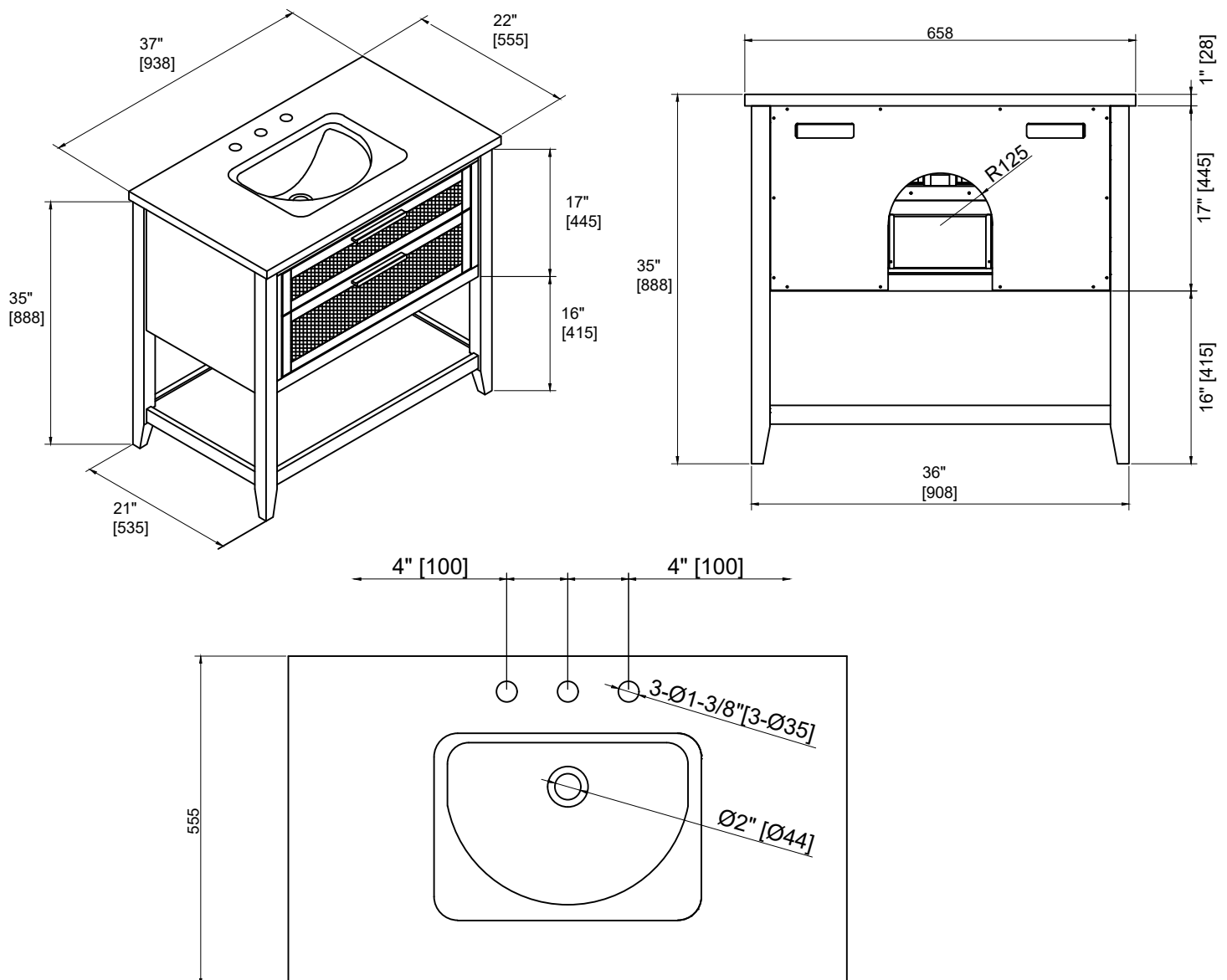
IMPORTANT



Assembly and installation guide:

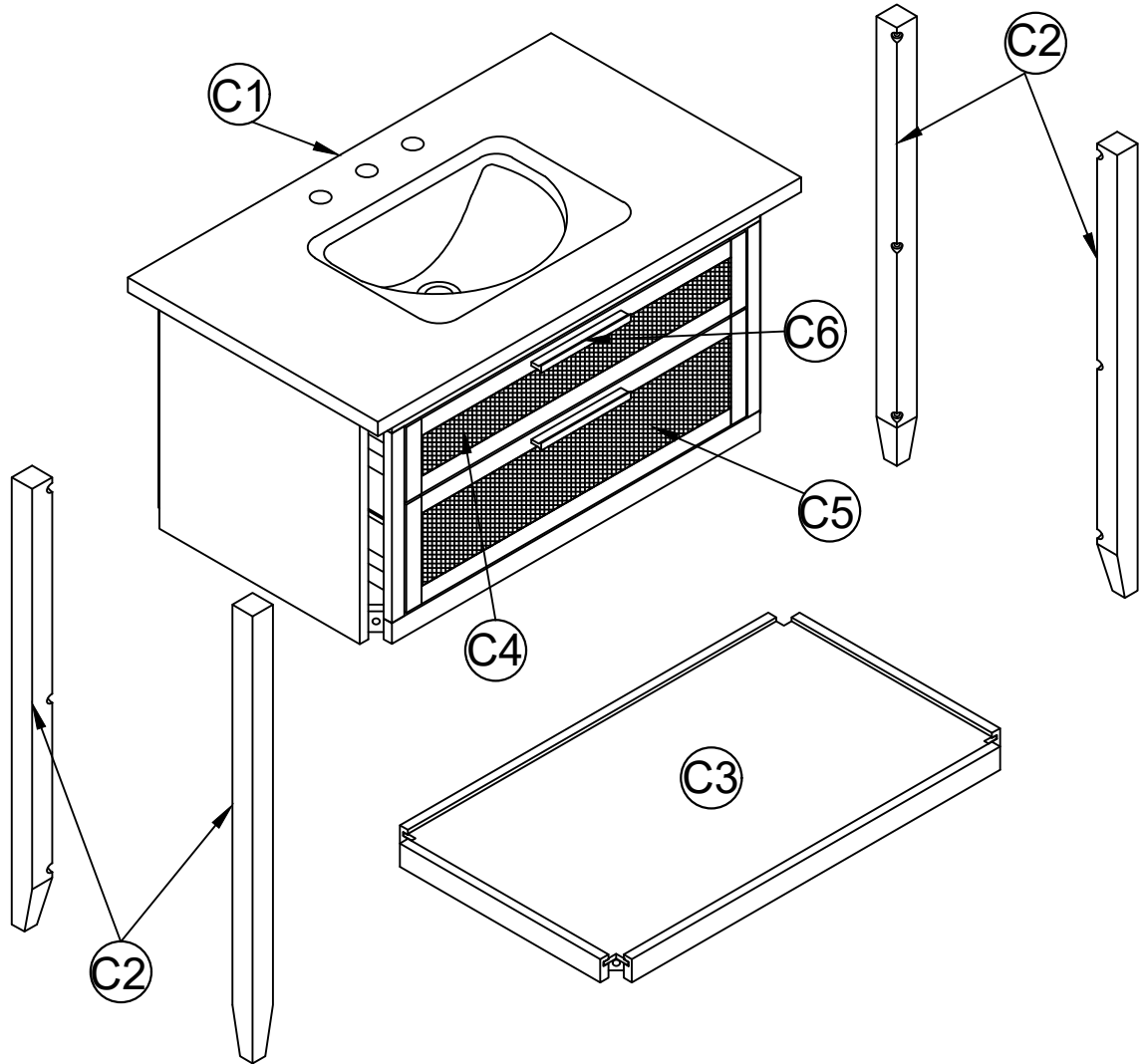
- Carefully read all of the instructions before starting the assembly and installation process. Failure to do so may lead to injury, damage to the product, or other property damage.
- This vanity should be installed by an experienced plumber
- **Two people** are required to assemble this vanity
- Drain pipe and drain trap are not supplied. Connect to an existing drain pipe.
- Assemble in or near final installation position
- Do not drag the vanity as it may damage the product.
- Warning the top is VERY HEAVY and FRAGILE, use extreme caution while handling and moving.

Dimensions:



PARTS INCLUDED

- C1 Top
- C2 Legs x 4
- C3 Bottom Shelf
- C4 Flip Drawer
- C5 Drawer box
- C6 Handles x2
- Hardware Pack



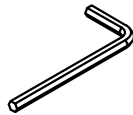
Hardware Pack

A



Ø6x60 (mm) 12 pcs

B



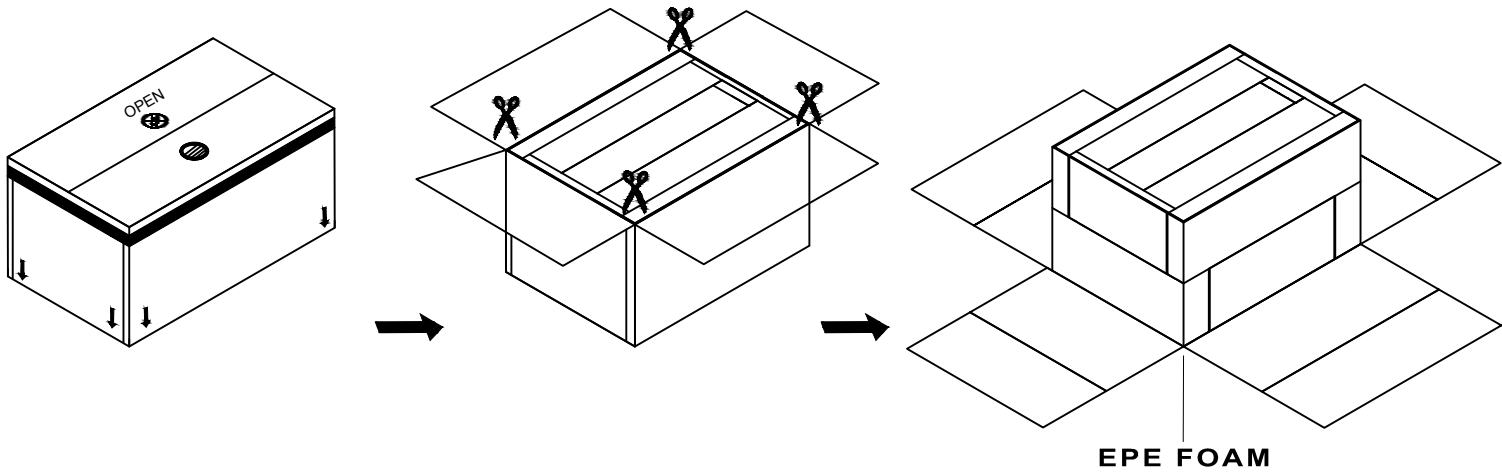
M4: 1 pc



ANTI-TIP SET

1

1. Please ensure the box is turned at upside down position
2. Carefully open the box by unfolding all 4 sides panel by scissor (or knife)
3. Slightly remove all the internal packaging materials inside the box side to open the whole box
4. Install the part per illustration



Please keep all part in the flat surface to prevent scratch

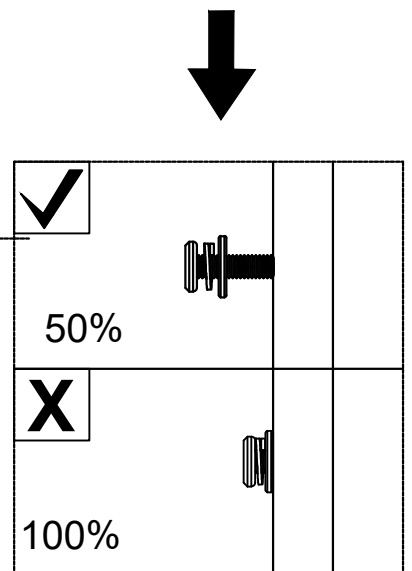
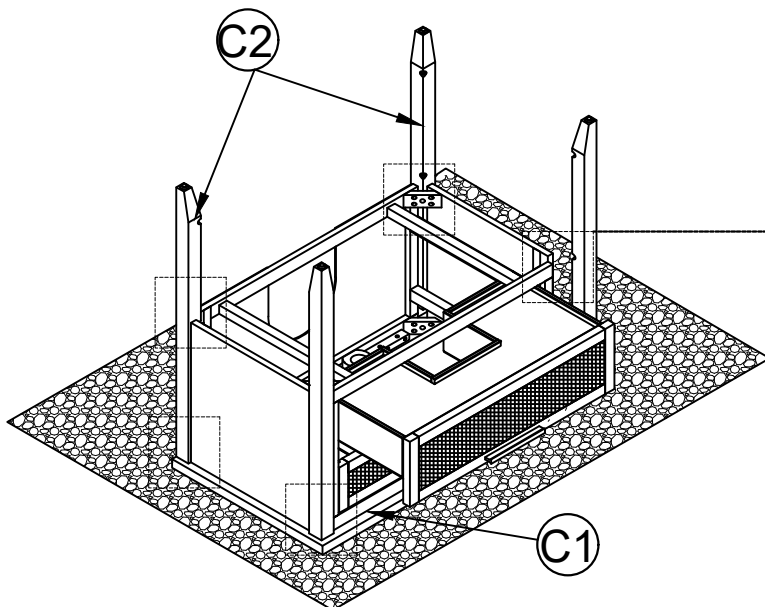
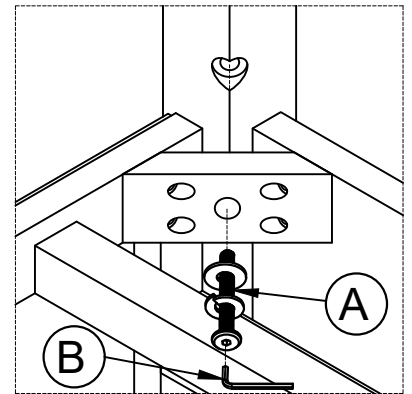
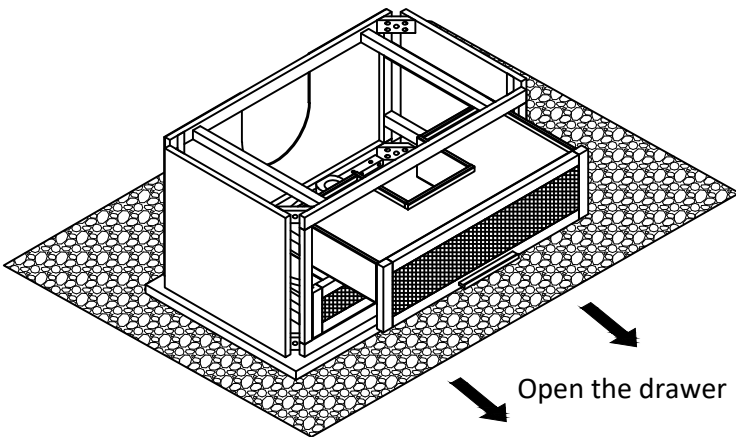
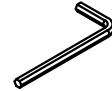
2

A x 8

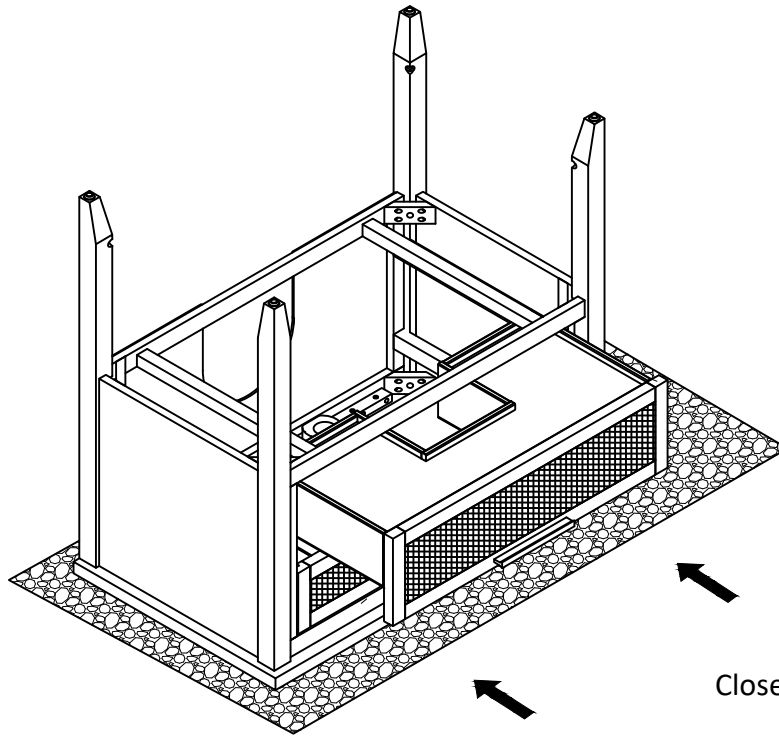


Ø6x60 (mm)

B x 1



3



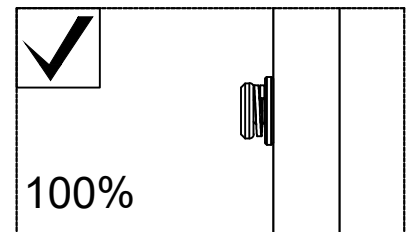
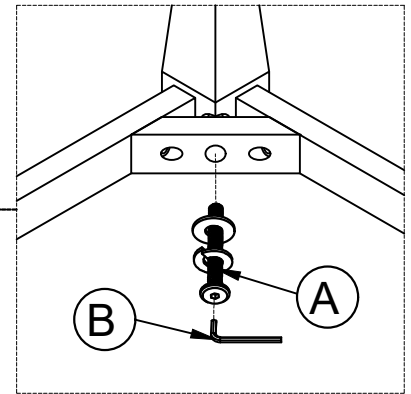
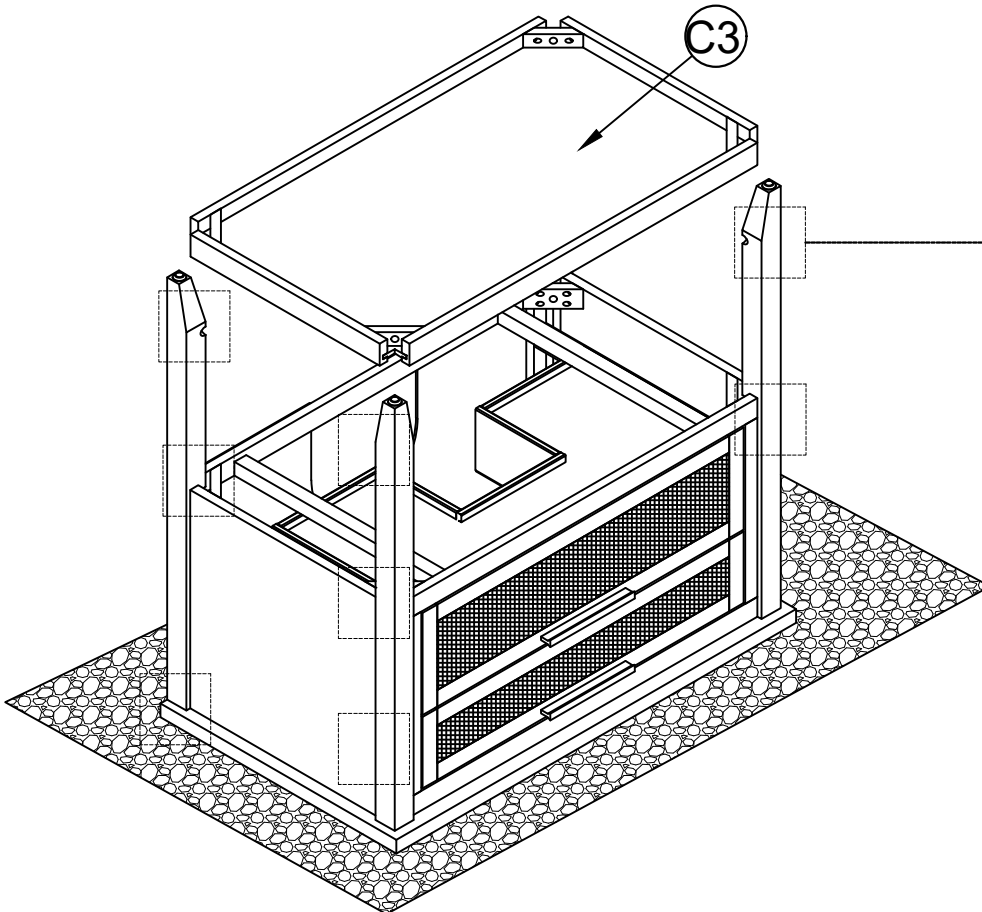
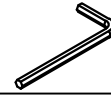
4

A x 4



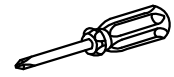
Ø6x60 (mm)

B x 1

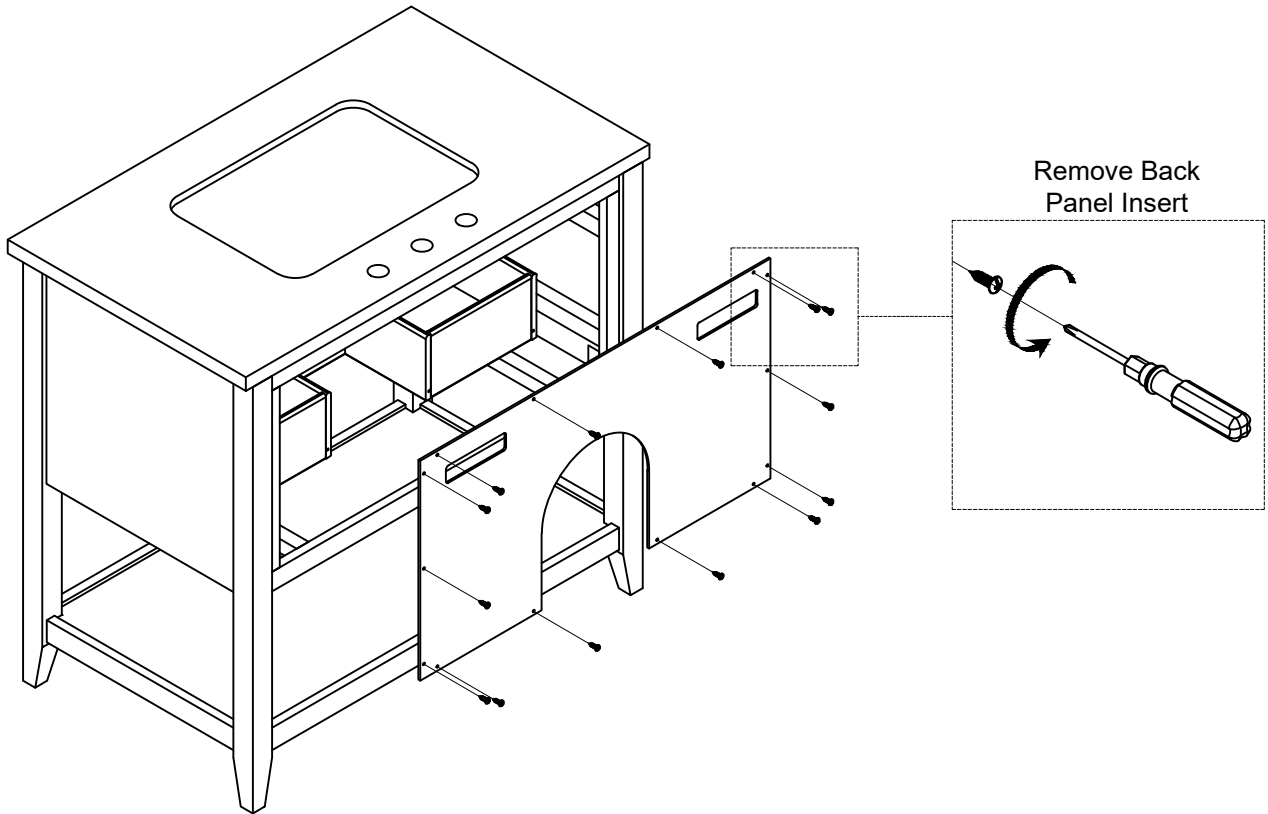


Tighten all bolts once all parts in place

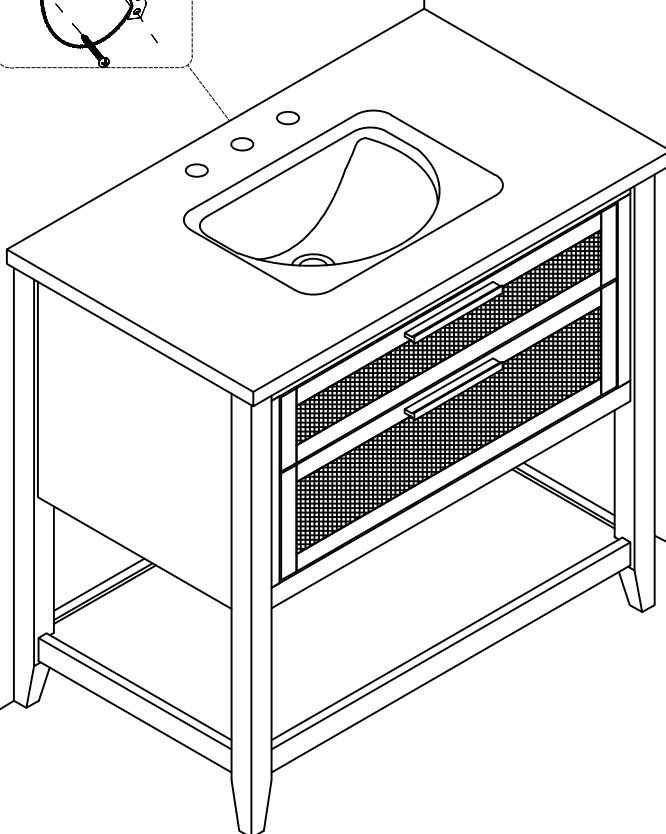
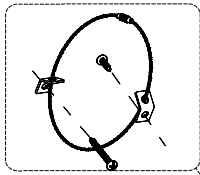
5



If the back panel needs to be removed for installation for piping/plumbing locations, this ok. This will not affect the Bathroom Vanity structure & will not affect the Warranty."



6



LIMITED WARRANTY

EXCEPT AS EXPRESSLY STATED BELOW, OUR PRODUCTS ARE "AS IS" WITHOUT WARRANTY OF ANY KIND, EITHER EXPRESS OR IMPLIED, INCLUDING, WITHOUT LIMITATION, ANY WARRANTIES OF MERCHANTABILITY OR FITNESS FOR A PARTICULAR PURPOSE. BECAUSE SOME JURISDICTIONS DO NOT PERMIT THE EXCLUSION OF IMPLIED WARRANTIES, THIS DISCLAIMER MAY NOT APPLY.

We strive to produce defect-free furniture. Our products are warranted for one (1) year from date of purchase against defects. **"Manufacturing Defects"** are described as:

- Missing drawer pulls or missing hardware required for assembly
- Drawers that are inoperable or that fail to open and close easily
- Screws or staples penetrating outer faces of product

The company does not provide warranty protection against "damages resulting from inappropriate handling of the product by the customer, in-store, in-warehouse, or during transportation. **"Damages Resulting from Inappropriate Handling"** are described as:

- Crushed corners of top
- Separation of tops from their cases due to lifting the item by their tops
- Damage caused by failure to follow assembly instructions
- Blown out or punctured case-backs
- Rub marks on the wood surfaces, usually caused by improper handling

Most damages are caused by mishandling of furniture while it is still in the box. Care should be taken that products be stored with "arrows up" and not be "dragged across the floor" once they are assembled and are out-of-their cartons in the warehouse, in the store, or in the homes of consumers.

There are some "naturally occurring imperfections" associated with our type of product and manufacturing process that cannot be avoided, and therefore, must be accepted by our customers. **"Naturally Occurring Imperfections"** are described as:

- Limited number of small nail holes in decorative moldings
- Small spaces not fully covered at the edges and corners of the item and/or its tops