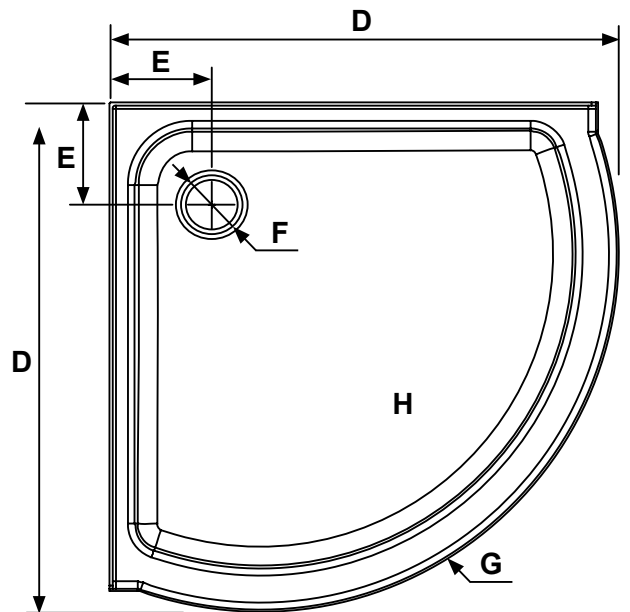
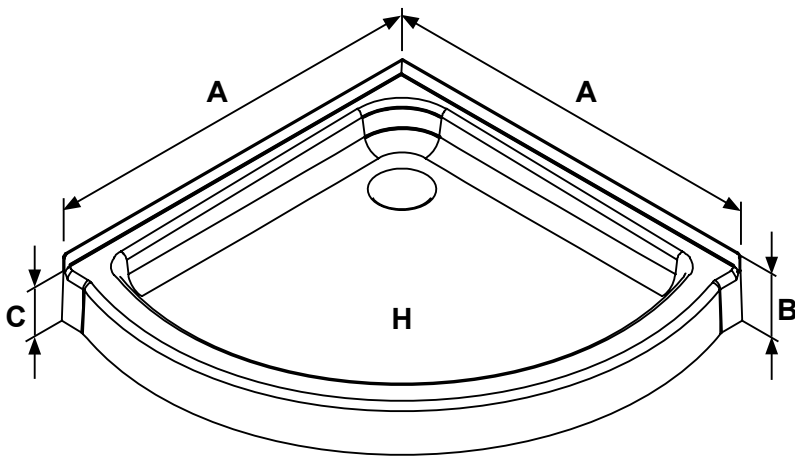


**SHOWER BASE DIMENSIONS
DIMENSIONS DE LA BASE DOUCHE
DIMENSIONES DEL PLATO DE DUCHA**

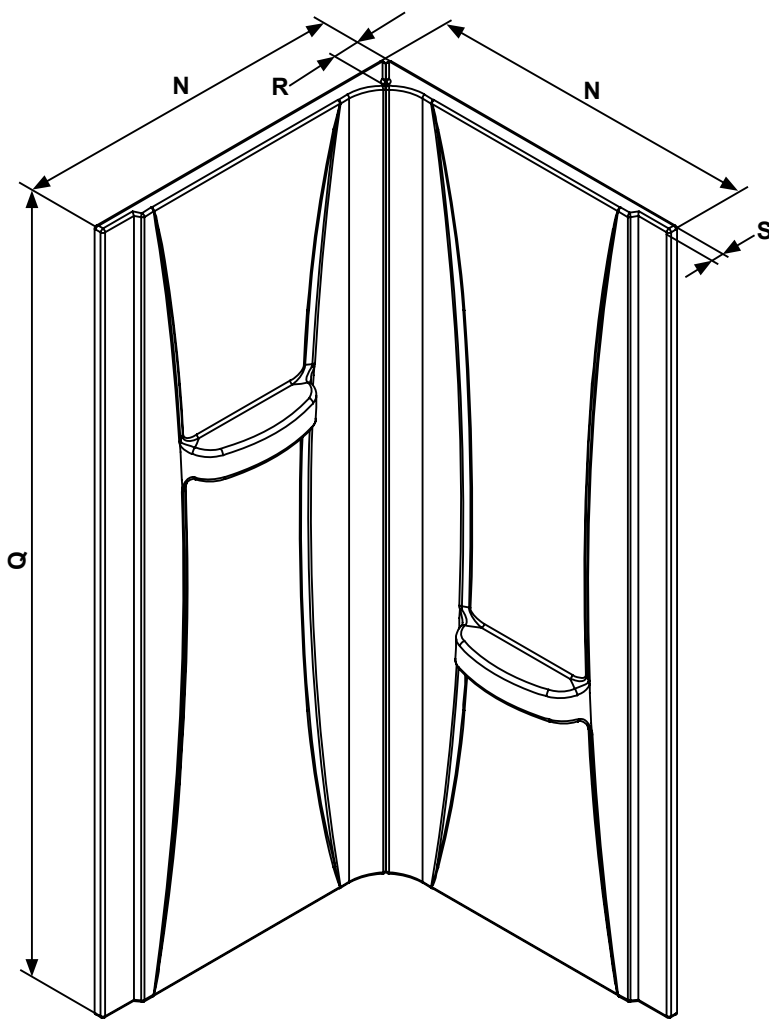
	32"	34"	36"	38"
A	32 1/16" 815mm	34 1/16" 865mm	36" 915mm	38" 965mm
B	5 1/8" 130mm	5 1/8" 130mm	5 1/8" 130mm	5 1/8" 130mm
C	4 1/8" 105mm	4 1/8" 105mm	4 1/8" 105mm	4 1/8" 105mm
D	32 7/8" 835mm	35 1/16" 890mm	40 3/8" 1025mm	44 1/2" 1130mm
E	7 7/8" 200mm	6 7/8" 175mm	12 3/8" 315mm	11 13/16" 300mm
F	3 3/8" 85mm	3 3/8" 85mm	3 3/8" 85mm	3 3/8" 85mm
G	R24 5/8" R625mm	R24 5/8" R625mm	R24 5/8" R625mm	R26 3/16" R665mm
H	911 in ² 0.588 m ²	1051 in ² 0.678 m ²	1407 in ² 0.908 m ²	1708 in ² 1.102m ²

	Measurements Mesures Medidas
A	Flange width Largeur de la bride Ancho de brida
B	Shower base height (With flange) Hauteur de la base de douche (Avec bride) Altura de la base de la ducha (Con brida)
C	Threshold height (Without flange) Hauteur du seuil (Sans la bride) Altura umbral (Sin brida)
D	Overall shower base width Largeur totale de la base Ancho total del plato de ducha
E	Drain distance from corner Distance du drain au côté Distancia de drenaje desde la esquina
F	Drain opening diameter Diamètre du drain Diámetro del drenaje
G	Base edge length & radius Rayon & longueur du rebord de la base Radio y longitud del borde del plato
H	Finished surface area Aire de surface finie Superficie acabada



*Measures: centimeter (inch)
Mesures : centimètre (pouce)
Medidas: centímetros (pulgadas)*

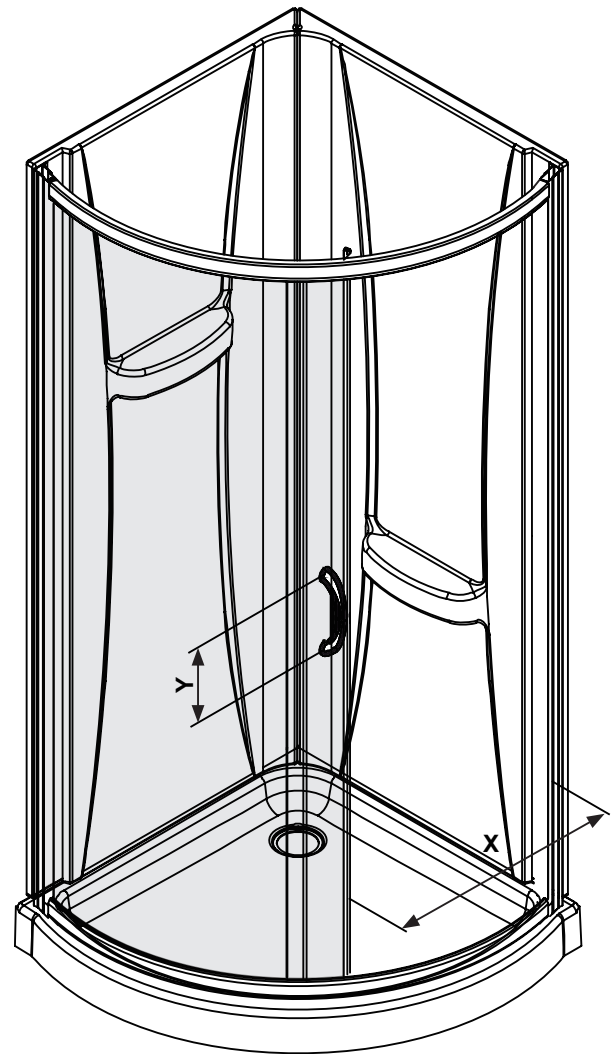
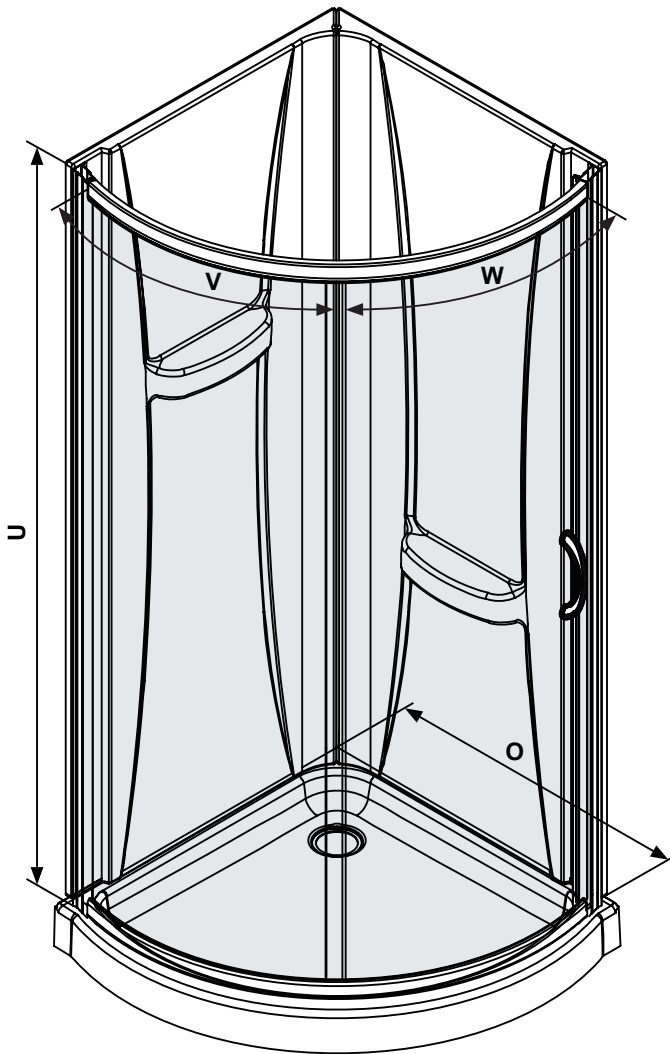
**SHOWER WALL INSTALLATION MANUAL - FOR CORNER SHOWER
 MANUEL D'INSTALLATION DES PANNEAUX MURAUX - POUR DOUCHE EN COIN
 MANUAL DE INSTALACIÓN DEL PANEL DE PARED - PARA LA DUCHA EN MONEDA**



	32"	34"	36"	38"
N	30 3/4" 781mm	32 7/8" 835mm	34 13/16" 884mm	36 13/16" 935mm
Q	73" 1857mm	73" 1857mm	73" 1857mm	73" 1857mm
R	2 13/16" 77mm	2 13/16" 71mm	2 13/16" 71mm	2 13/16" 71mm
S	11/16" 23mm	11/16" 17mm	11/16" 17mm	11/16" 17mm

	32"	34"	36"	38"
O	29 13/16" 758mm	31 1/4" 793mm	33 7/16" 850mm	35 7/8" 911mm
U	72 13/16" 1850mm	72 13/16" 1850mm	72 13/16" 1850mm	72 13/16" 1850mm
V	22 13/16 R23" 582 R584mm	25 1/4 R23" 642 R584mm	31 9/16 R23" 801 R584mm	39 3/4 R34 1/2" 1009 R622mm
W	24 15/16 R22 1/16" 634 R560mm	27 1/16 R22 1/16" 687 R560mm	32 13/16 R22 1/16" 834 R560mm	33 3/16 R23 9/16" 843 R598mm
X	18 3/4" 477mm	20 5/8" 524mm	25 1/2" 648mm	26" 661mm
Y	5 11/16" 145mm	5 11/16" 145mm	5 11/16" 145mm	5 11/16" 145mm

	Measurements Mesures Medidas
O	Shower width (wall track to wall track) Largeur de la douche (glissière à glissière) Ancho de la ducha (pista de pared a pared)
U	Shower height Hauteur de la douche Altura de la ducha
V	Fixed panel width Largeur du panneau fixe Ancho de panel fijo
W	Door panel width Largeur de la porte Anchura del panel de la puerta
X	Door opening Ouverture de la porte Abertura de la puerta
Y	Distance between handle holes Distance entre les trous de poignée Distancia entre los orificios de la manija



Measures: inch [millimeter]
Mesures: pouce [millimètre]
Medidas: pulgadas [milímetros]