



## KNOX WATERFALL TUB SPOUT

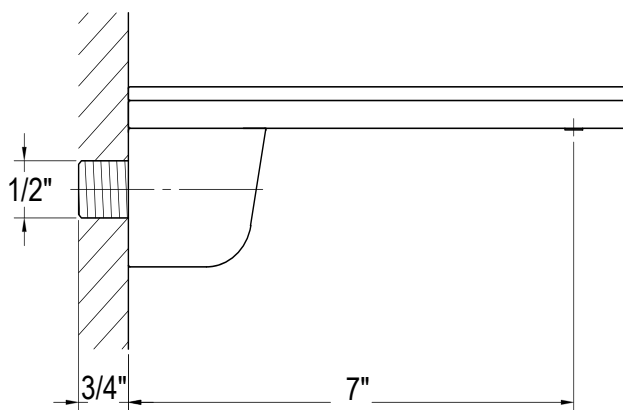
### INSTALLATION INSTRUCTIONS

Before installing, read entire Waterfall Spout Installation Instructions. Observe all local building and safety codes.

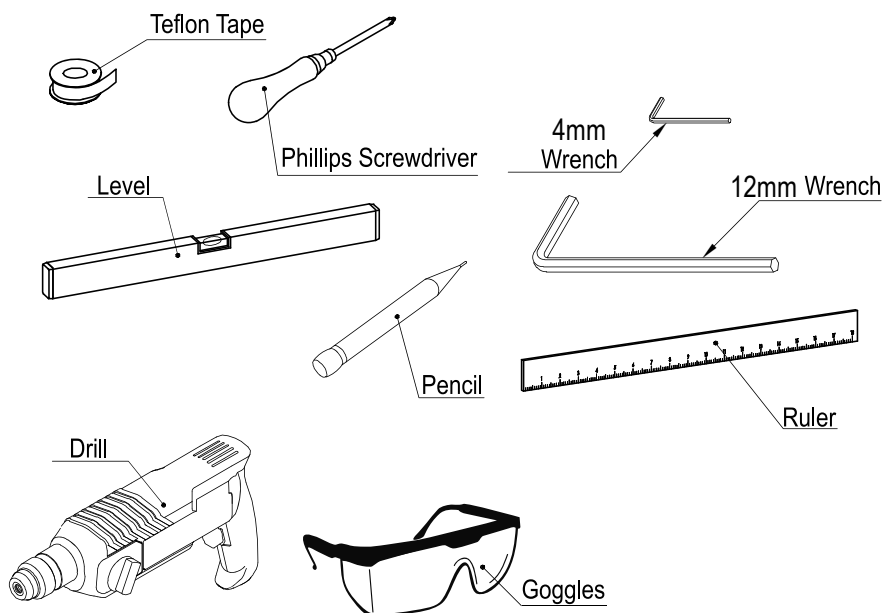
Unpack and inspect the product for any shipping damages. If you find damages, do not install. Contact Customer Service at 1.866.855.2284. If you need assistance or have questions while installing your tub spout, contact Customer Service.

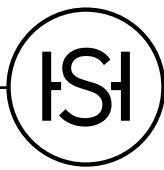
We recommend consulting a professional if you are unfamiliar with installing bathroom and plumbing fixtures. Signature Hardware accepts no liability for any damage to the spout, installation surface, or for personal injury during installation.

### INSTALLATION DIMENSIONS:

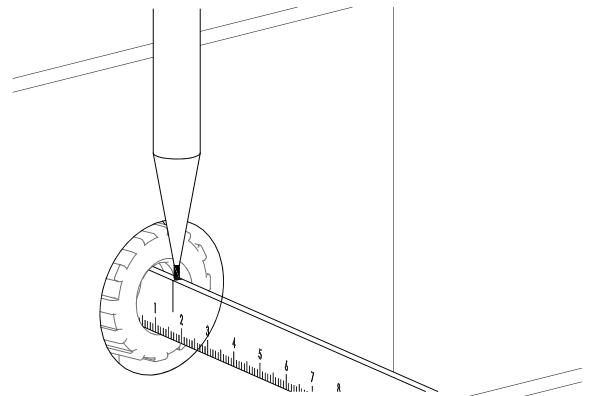
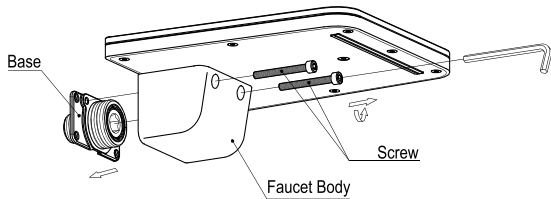


### TOOLS AND MATERIALS:



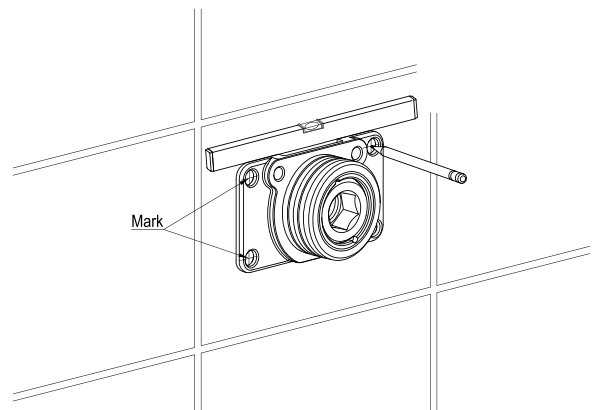
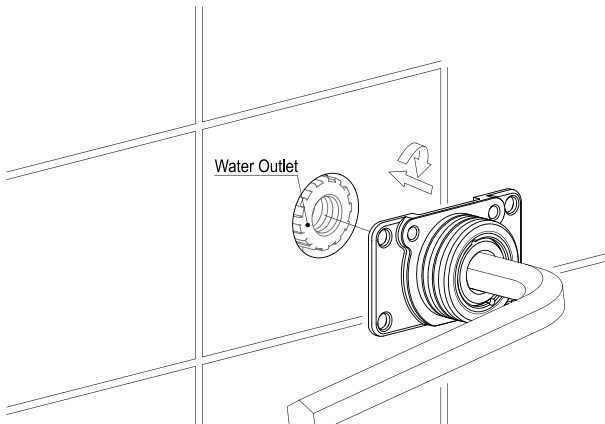


## INSTALLATION:



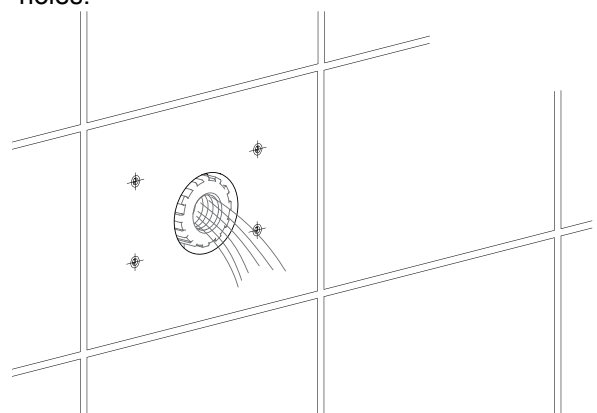
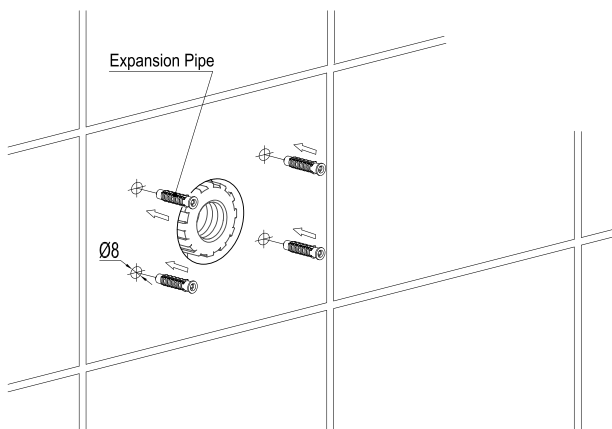
1. Unscrew the M5 screws with the provided 4mm hex wrench. Remove the base from the faucet body.

2. Measure the thread depth of the pipe joint with your ruler. Your 1/2" female fitting should be flush with the finished wall.



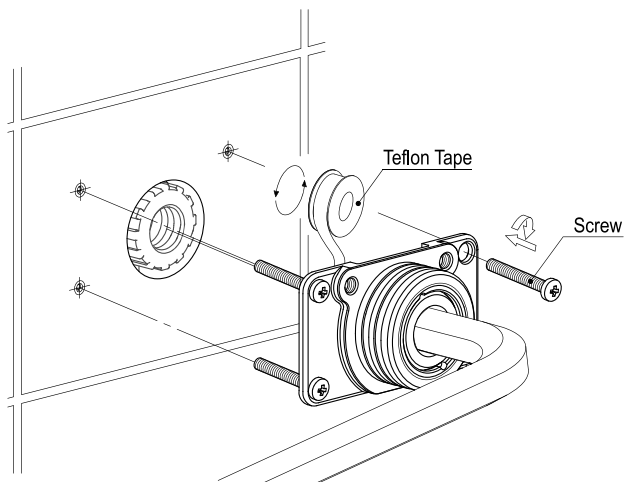
3. Screw the base into the fitting with the provided 12mm hex wrench.

4. Use a level to ensure that the base is aligned properly, and mark the locations of the mounting holes.

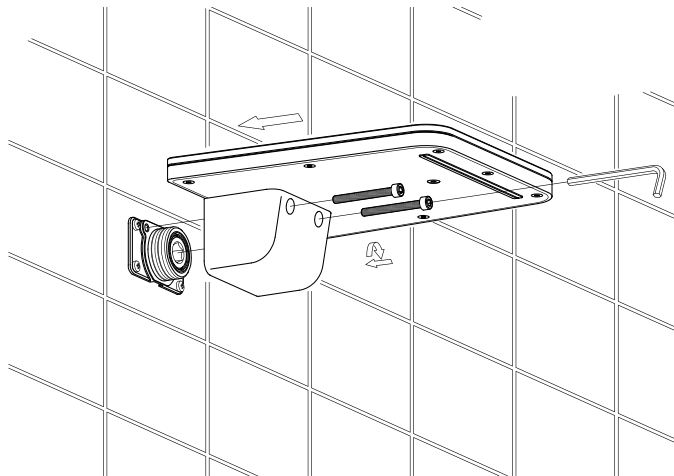


5. Remove the base and drill mounting holes in the locations marked in the previous step. Insert wall anchors into the mounting holes.

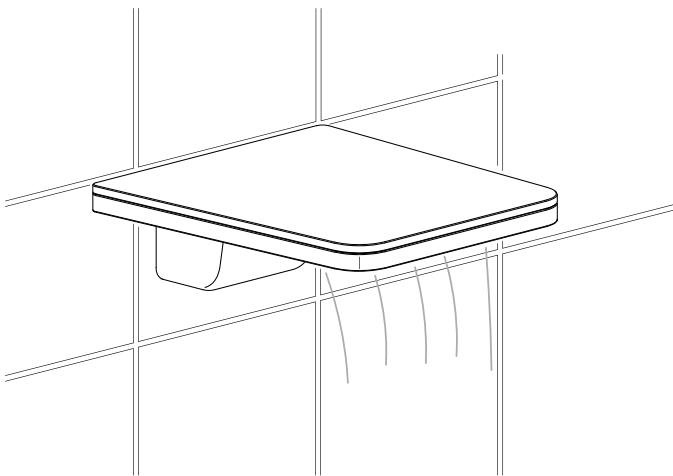
6. Run water for approximately 60 seconds to remove dirt and debris from the pipe.



7. Wrap teflon tape around the threaded pipe on the base. Screw the base into the water outlet, and drive screws the through base into the wall anchors.



8. Attach the faucet body to the base with M5 screws.



9. Run water through the spout for approximately 60 seconds to make sure that the connections are tight and that the hot and cold supplies are working correctly.