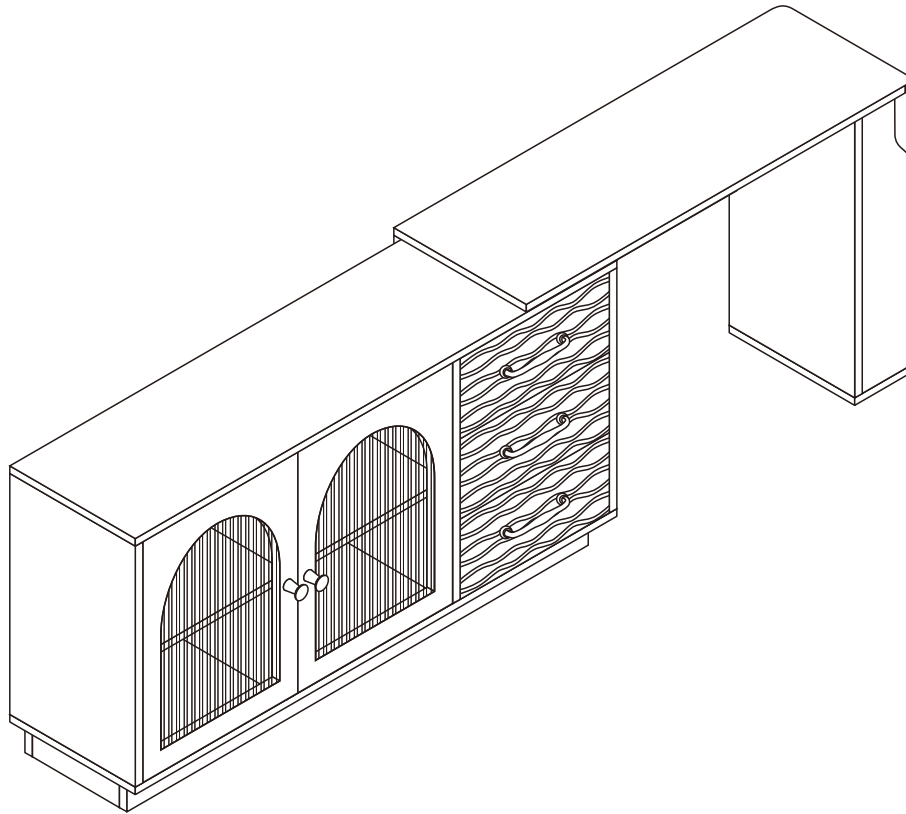


# CT-705-2#

Telescopic side cabinet



L1500/1200\*W400\*H780MM



2 Persons



705-2#  
Installation Video



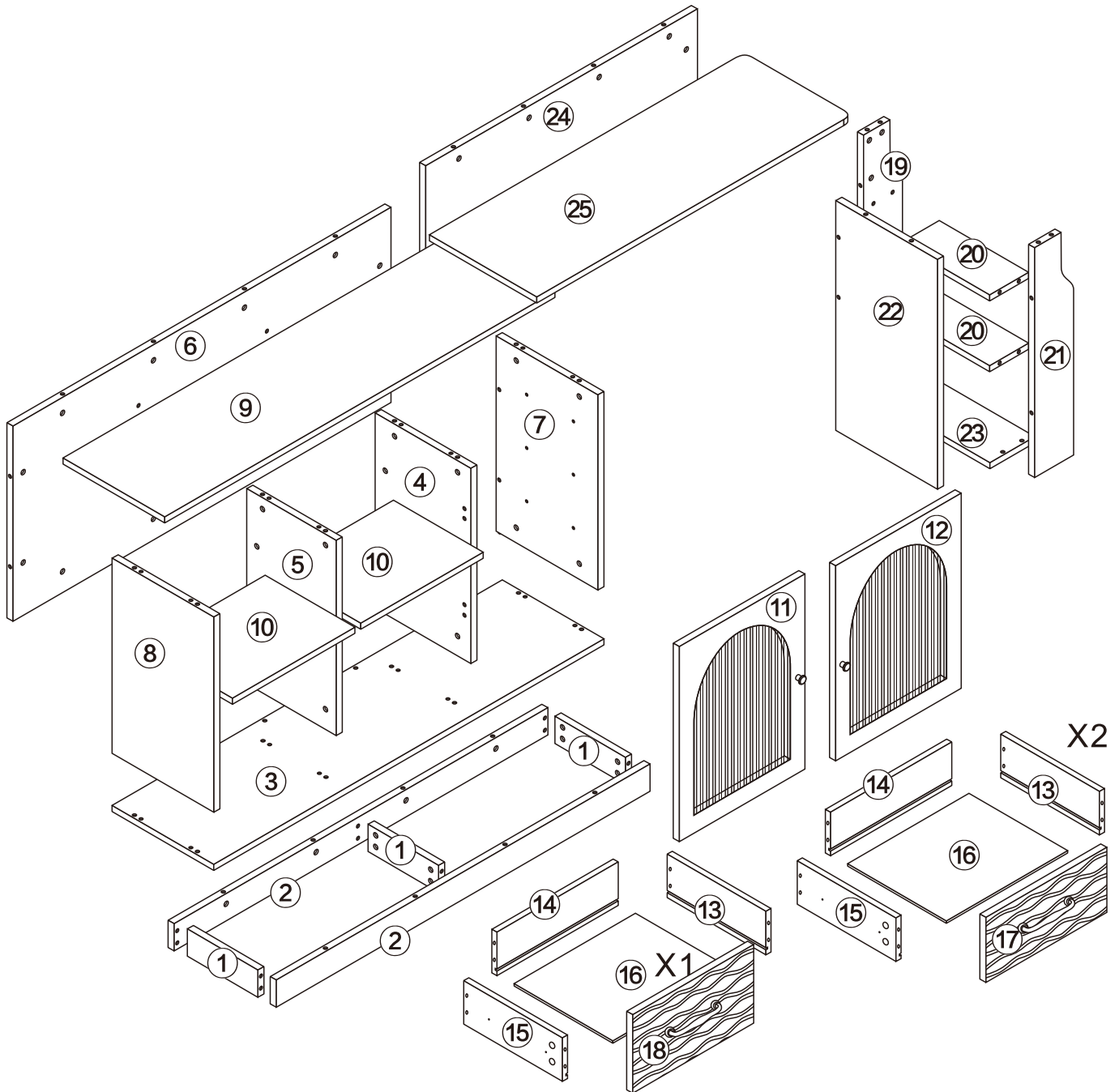
Cabinet Hinge  
Adjustment Video



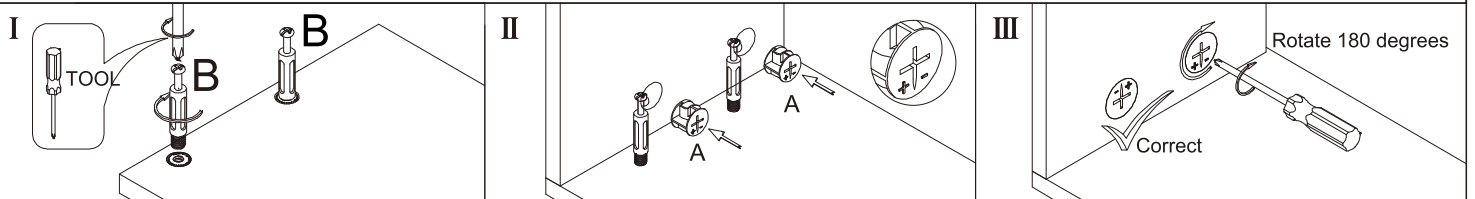
Drawer Glide  
Adjustment Video

















## Installation Instructions

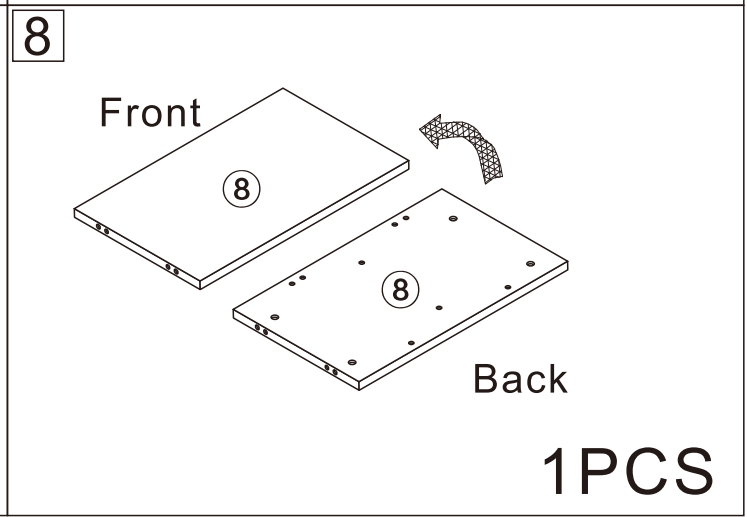
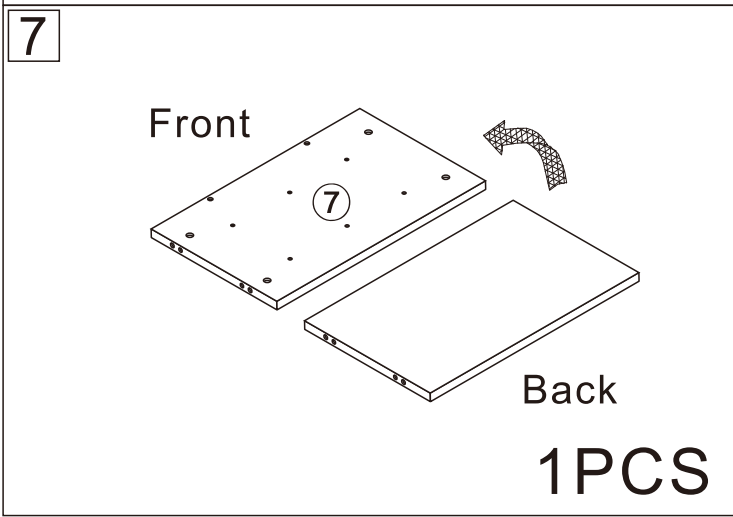
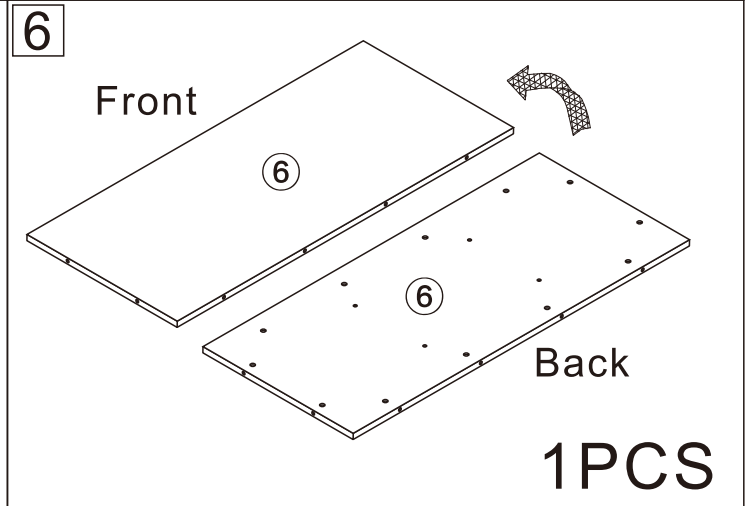
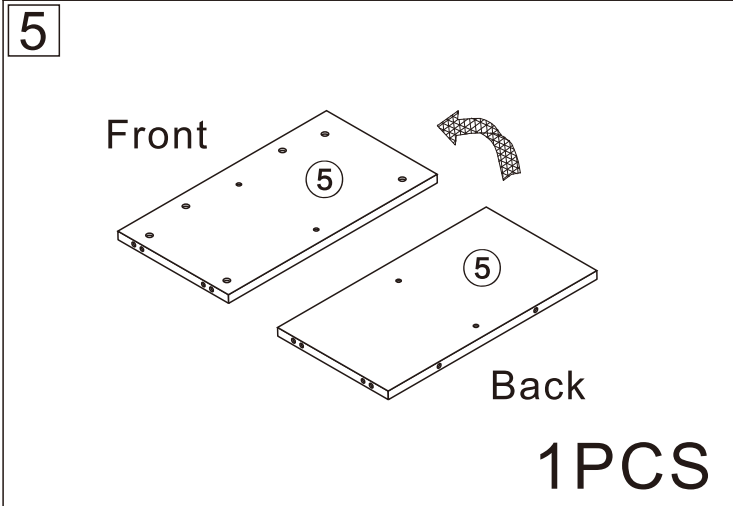
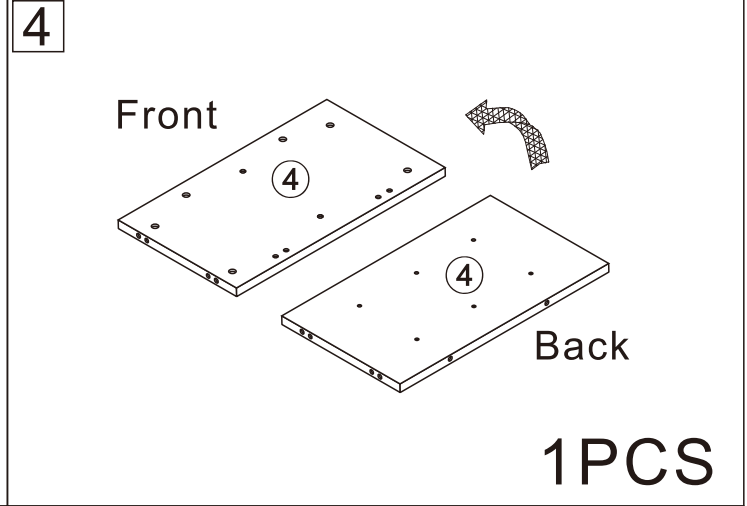
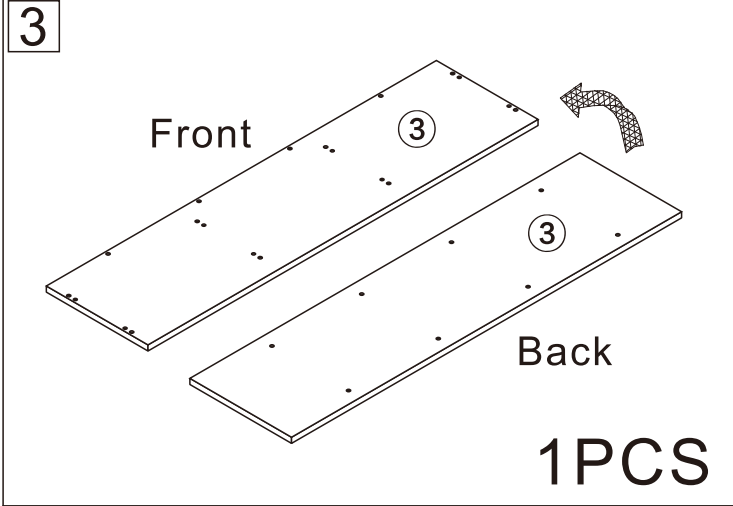
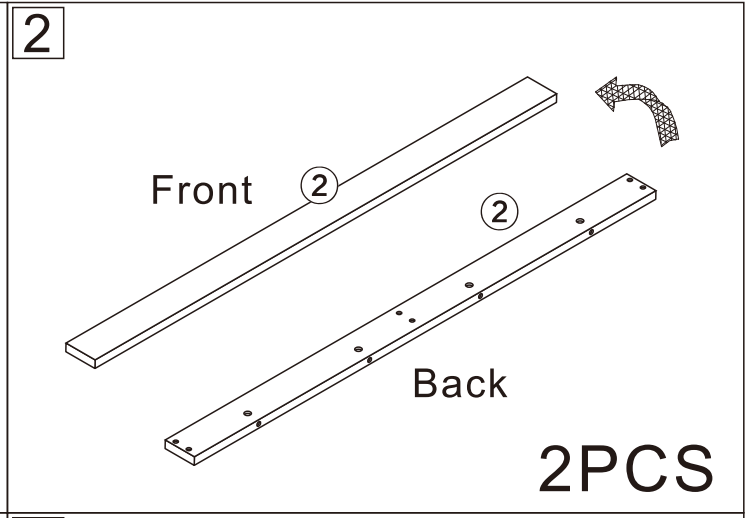
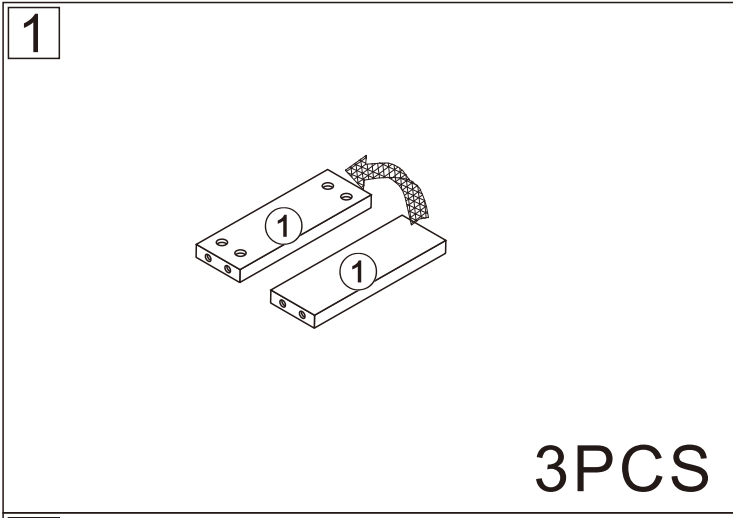
Notes: Don't tighten screws completely at first, just in case parts were assembled wrongly and need disassemble. Tighten screws at last when all parts are put together.

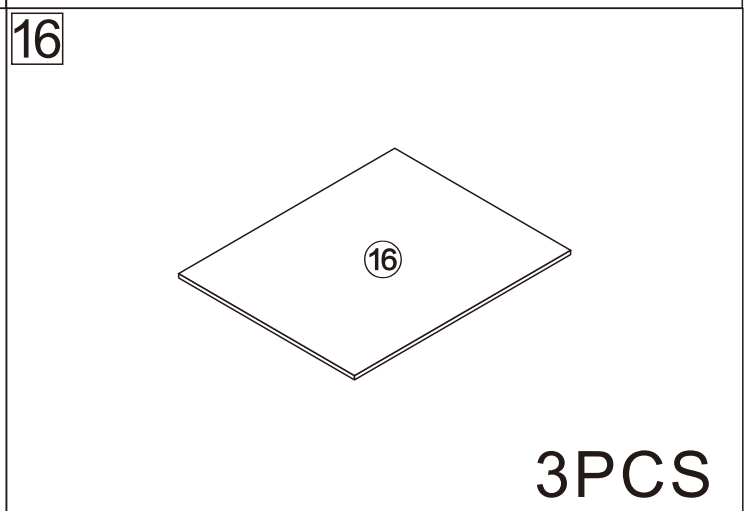
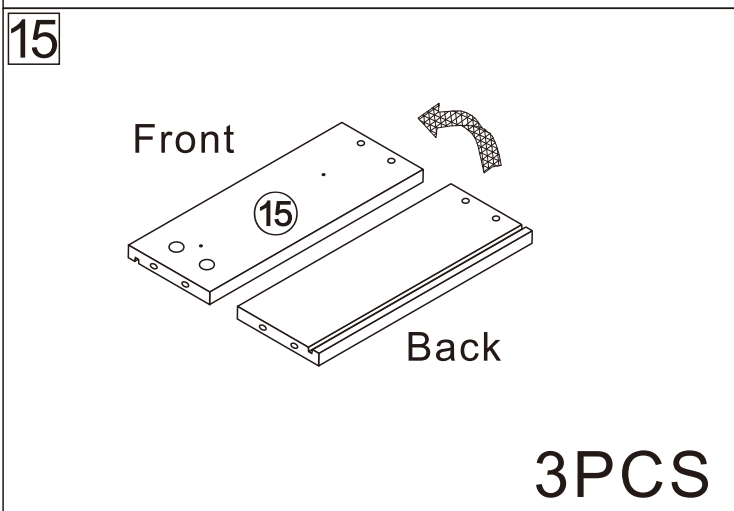
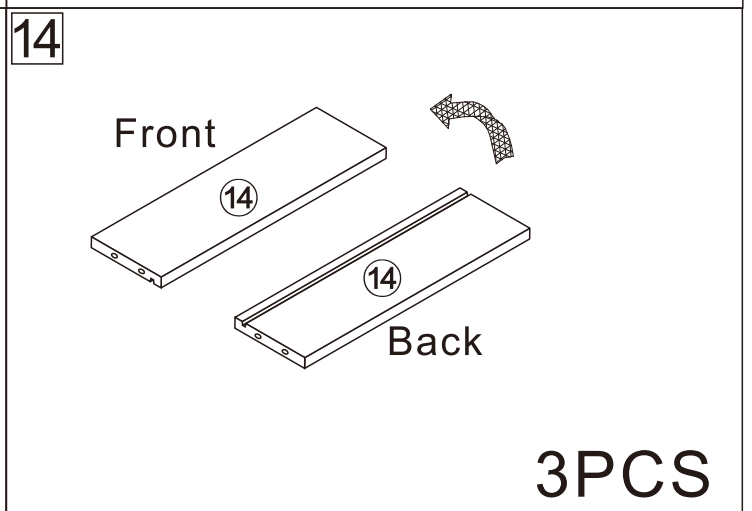
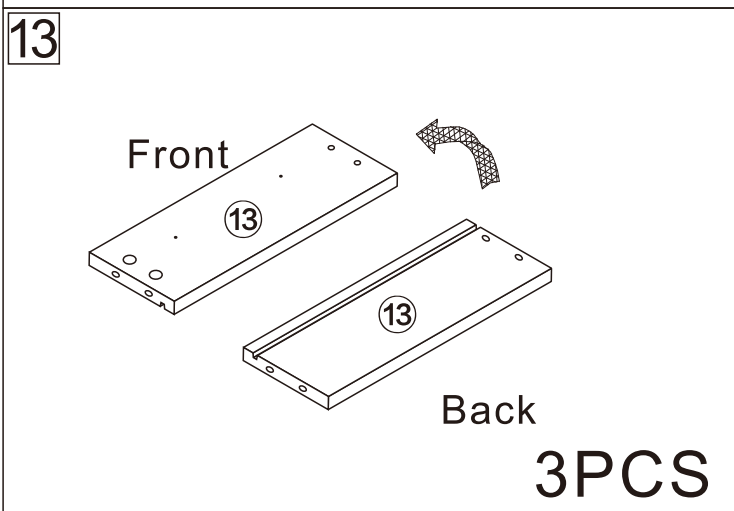
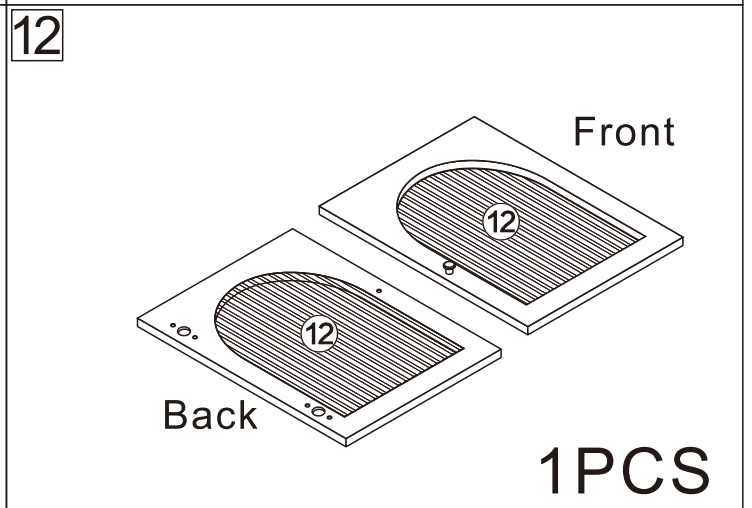
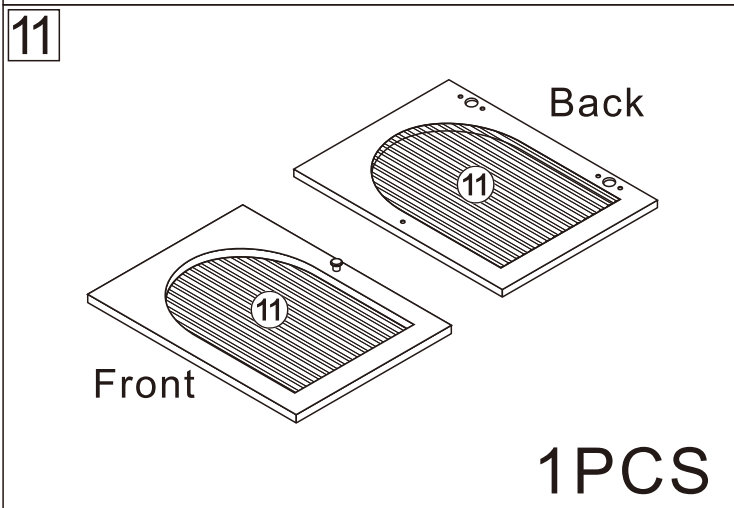
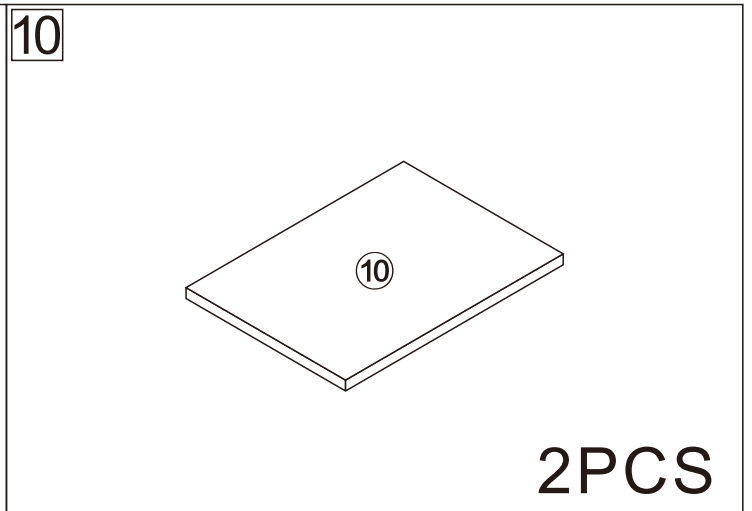
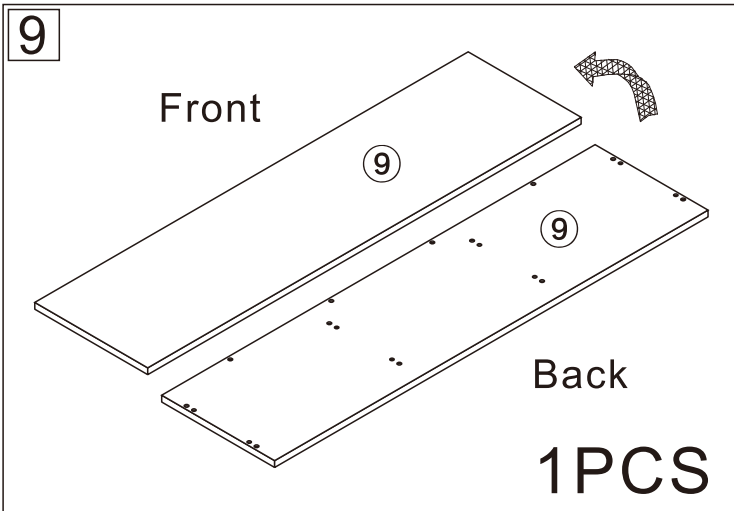


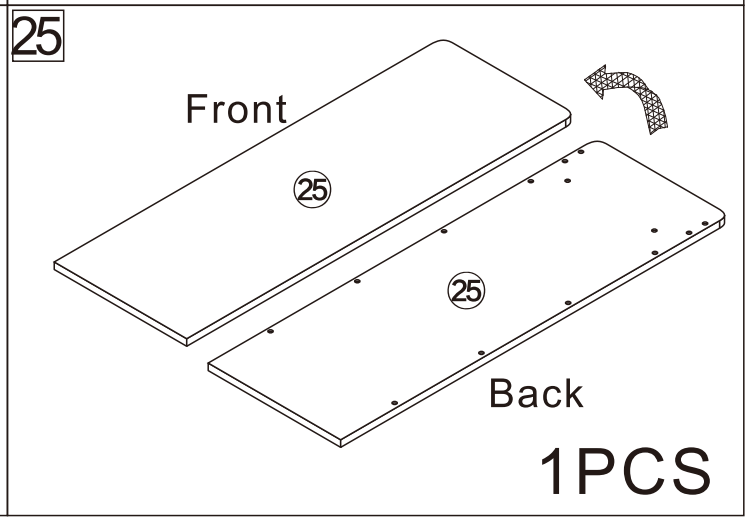
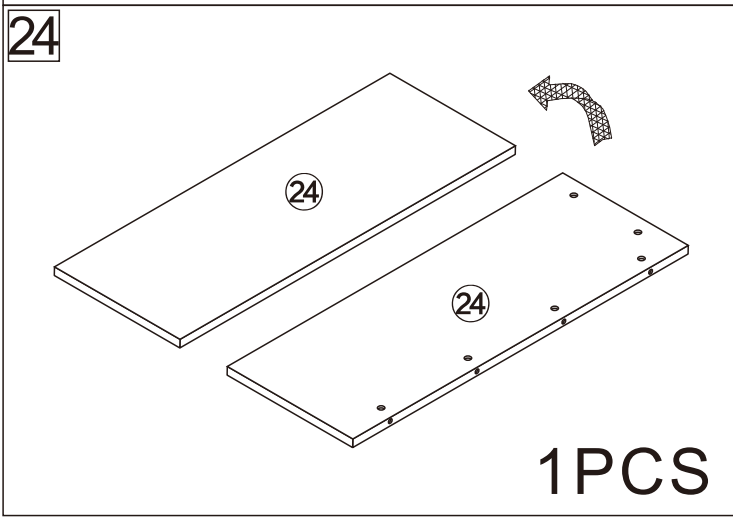
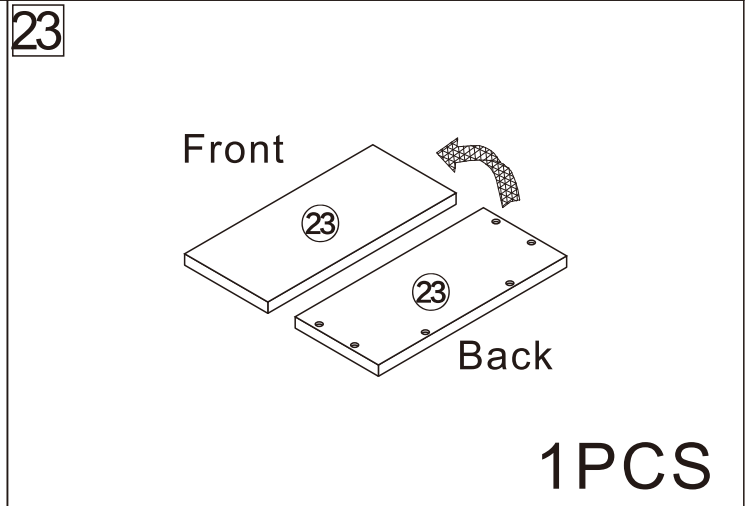
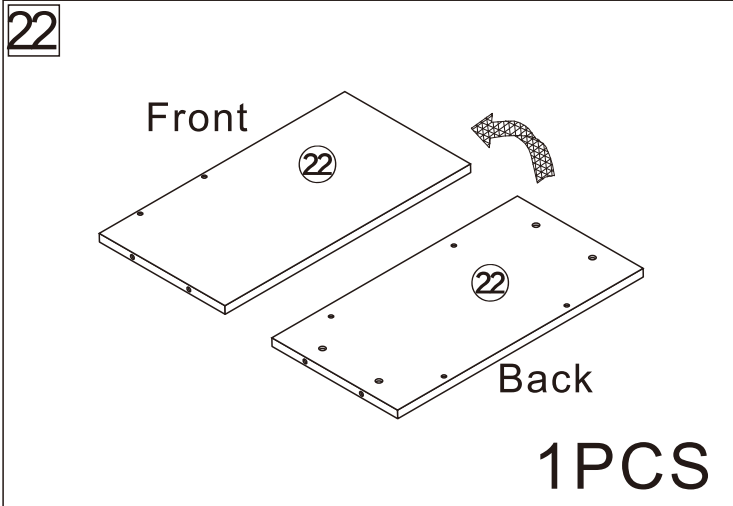
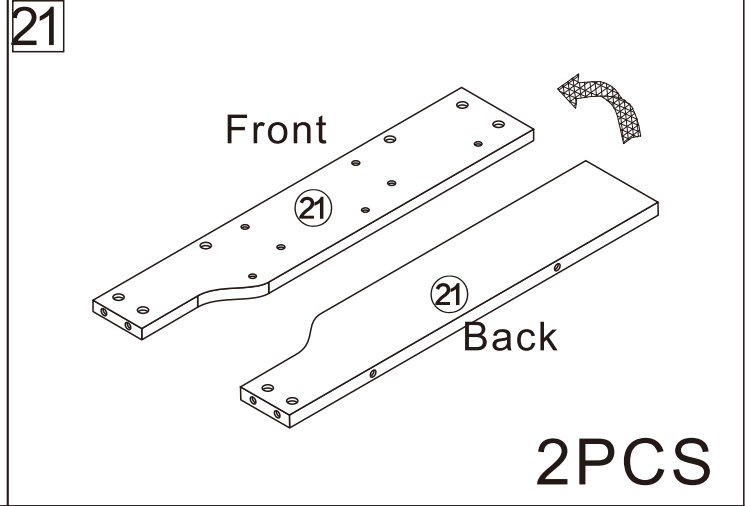
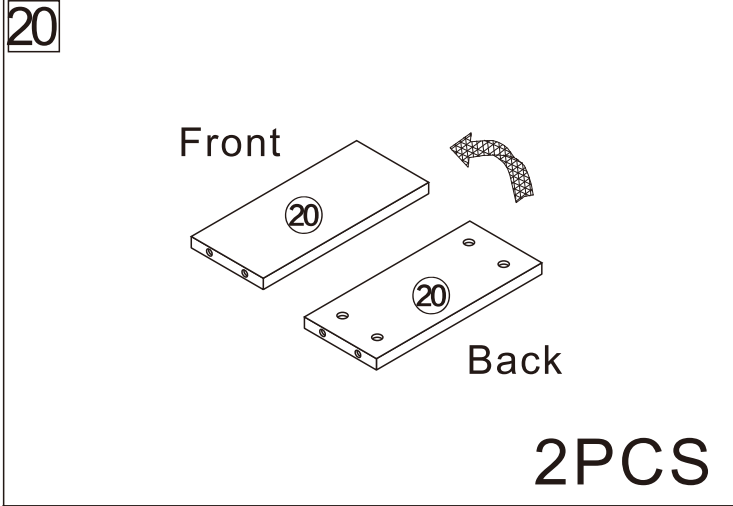
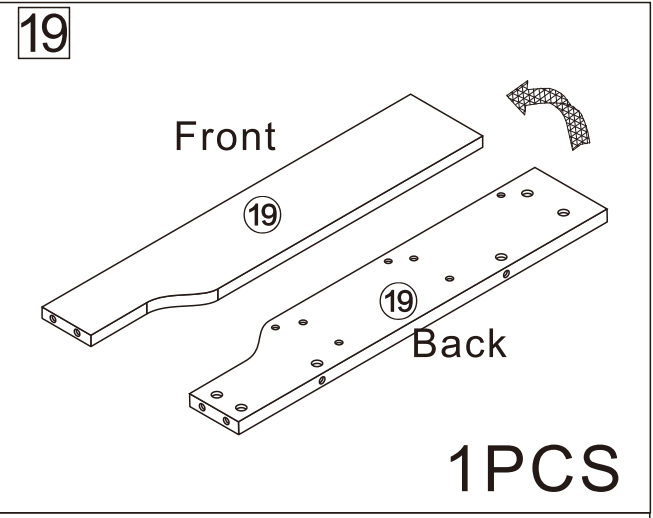
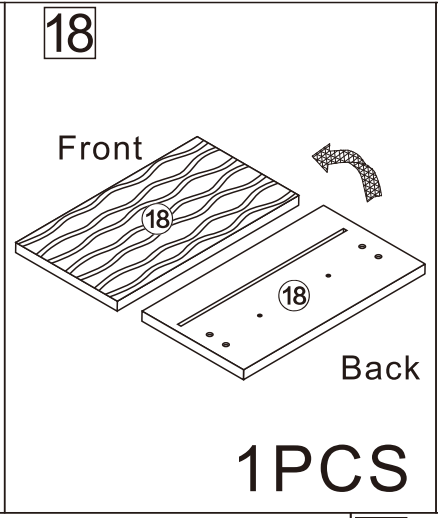
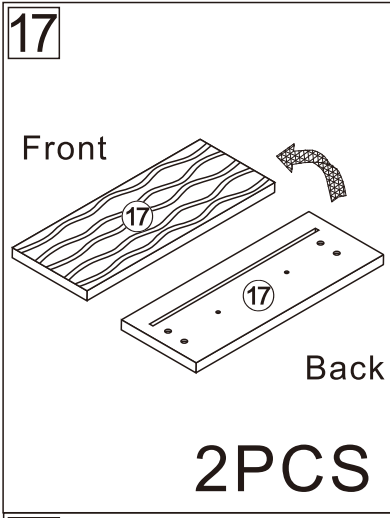
Disassembly and installation of accessories



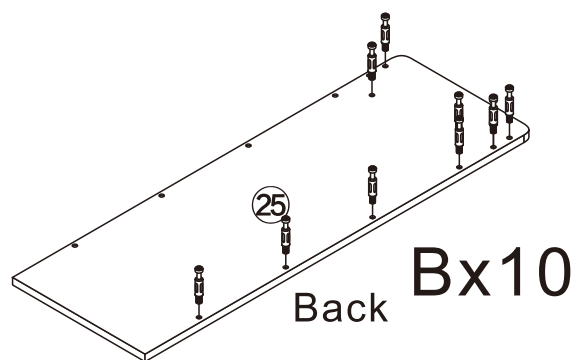
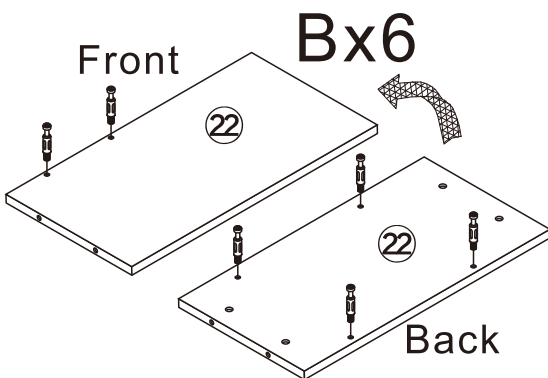
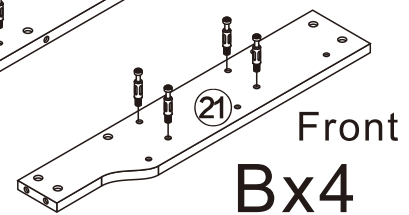
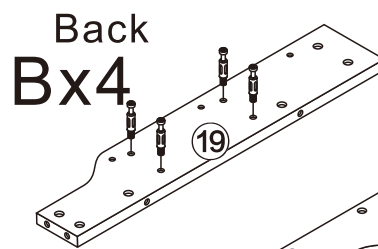
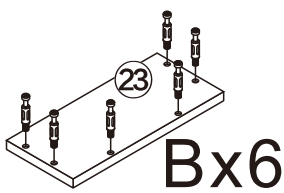
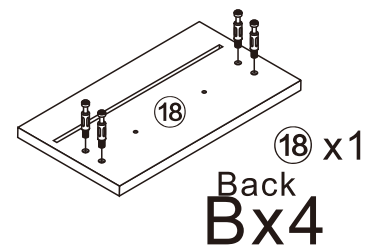
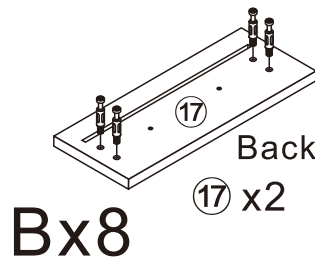
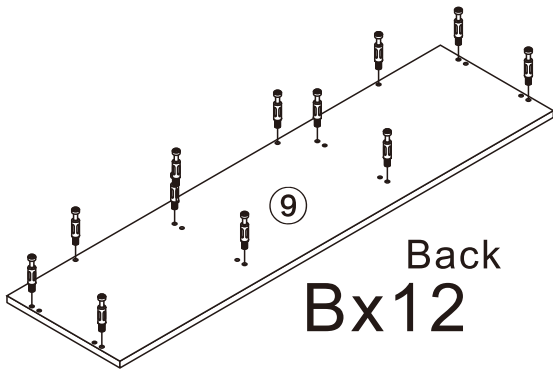
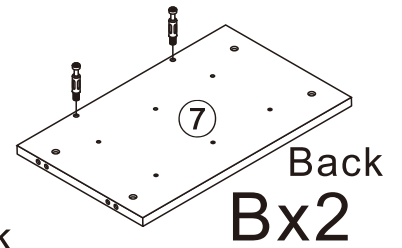
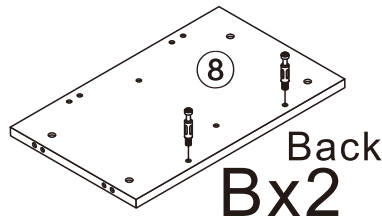
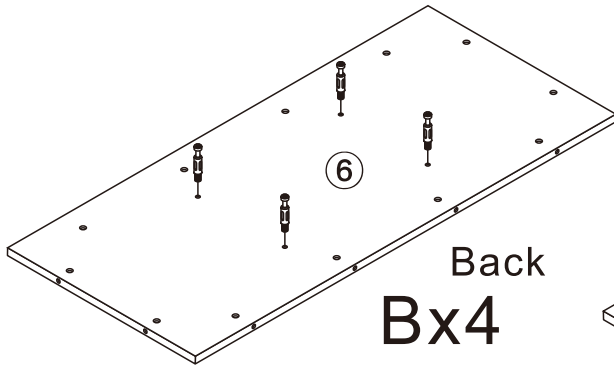
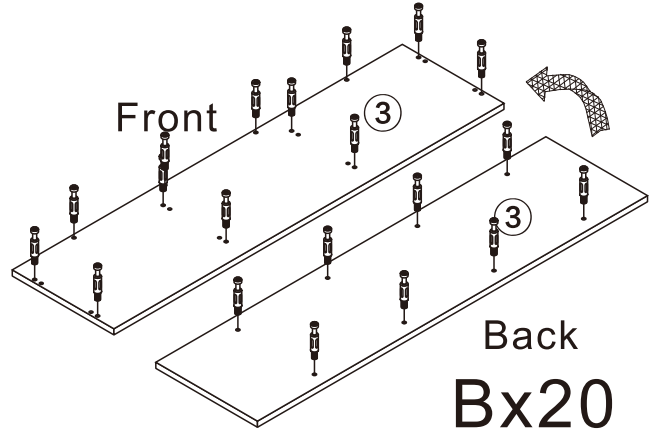
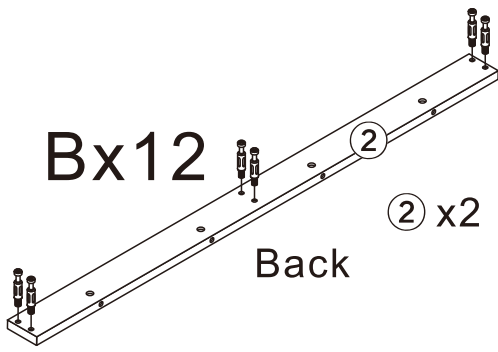
<b>A</b> 94PCS  15*10mm	<b>B</b> 94PCS  6*28mm	<b>C</b> 44PCS  3.5*14mm	<b>D</b> 12PCS  3.5*40mm	<b>E</b> 16PCS  8*30mm	<b>F</b> 8PCS  Φ5*8mm	<b>G</b> 18PCS  Φ 15mm	 Tools Recommended
<b>H</b> 16PCS  4*12mm	<b>I</b> 2PCS  4*18mm	<b>J</b> 6PCS  4*22mm	<b>K</b> 3PCS  96mm	<b>L</b> 2PCS  96mm	<b>M</b> 6PCS  96mm	<b>N</b> 4PCS  96mm	<b>O</b> 3PCS  96mm

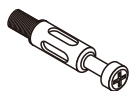






1



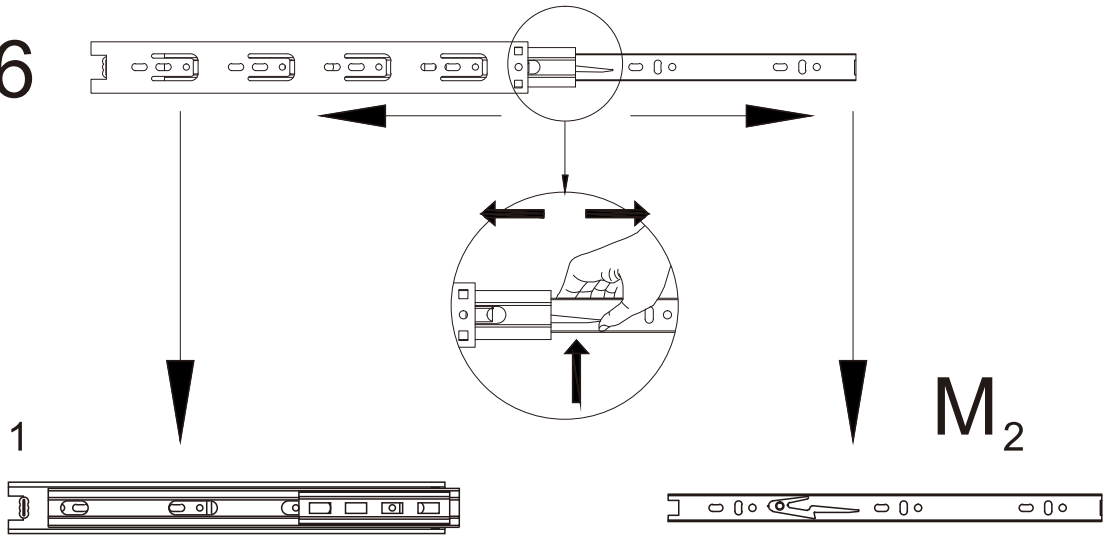
B	94PCS
	
6*28mm	

2

Mx6

M<sub>1</sub>

M<sub>2</sub>



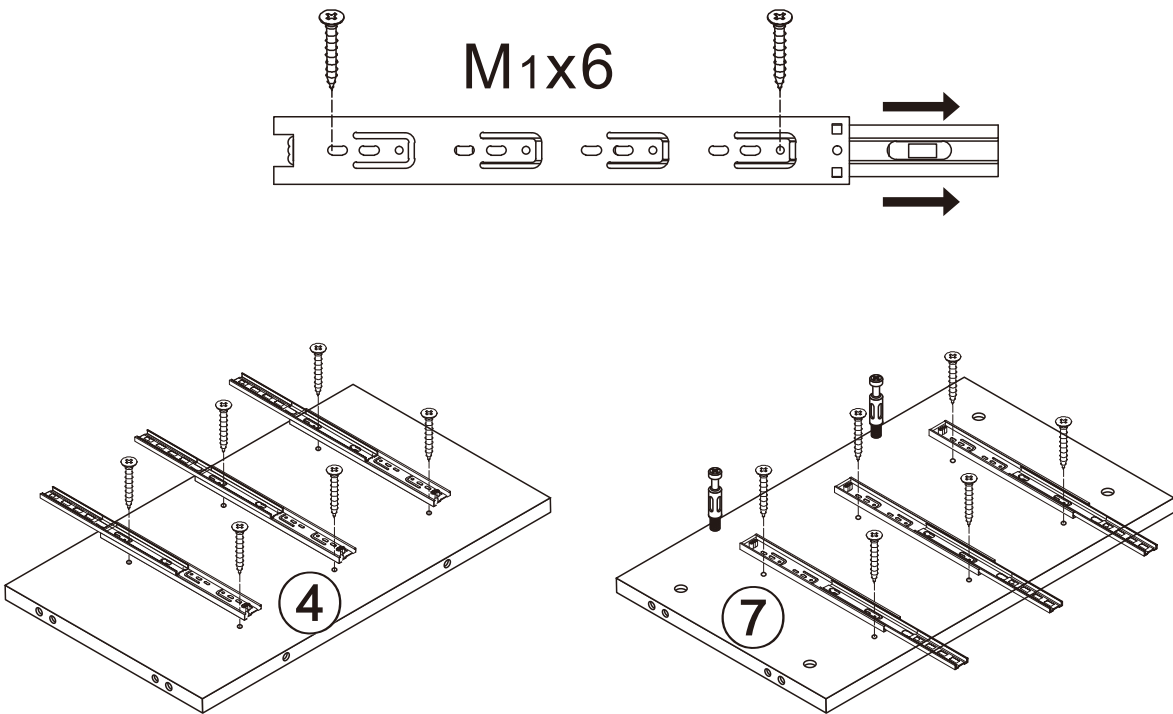
M<sub>1</sub> 6PCS



Three-section Rail

3

M<sub>1</sub>x6



Cx6

Cx6

Cx12

M<sub>1</sub>x6

C 12PCS



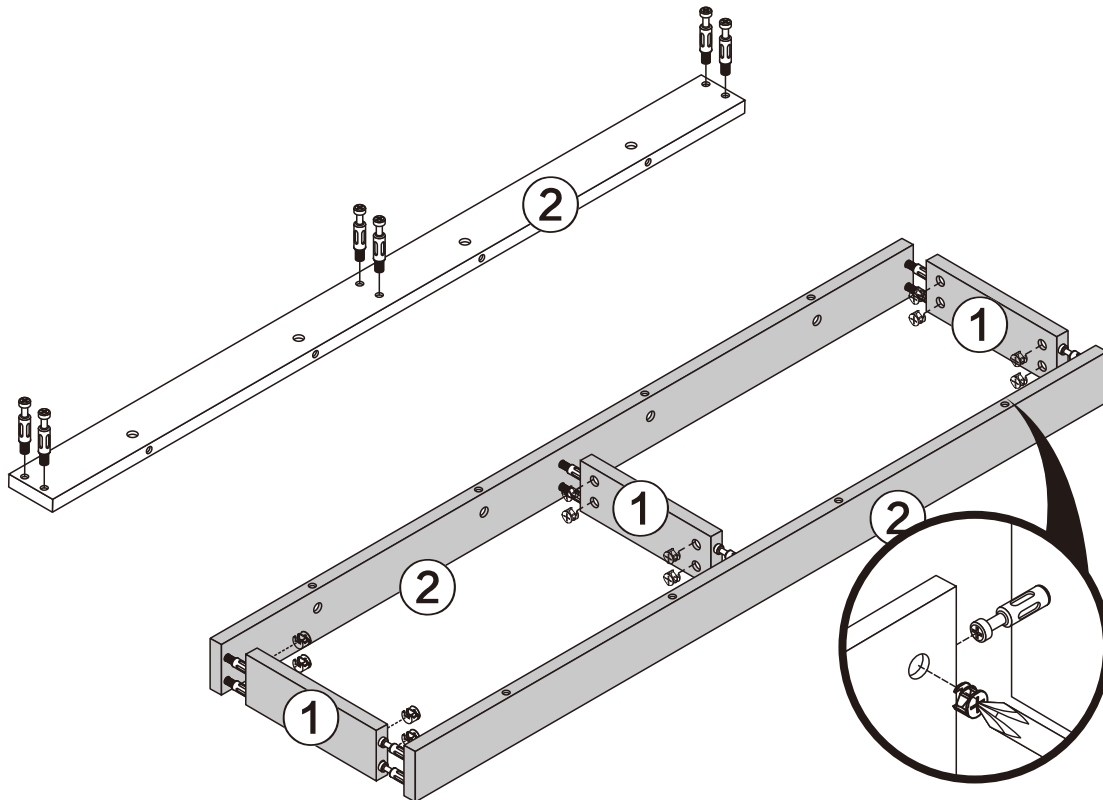
3.5\*14mm


M<sub>1</sub> 6PCS



Three-section Rail

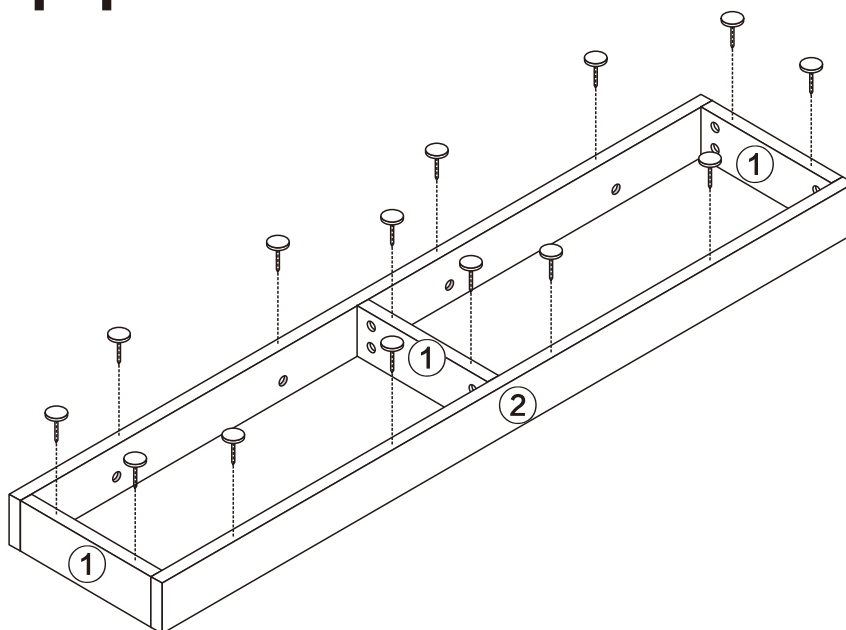
4




A	12PCS
	
15*10mm	

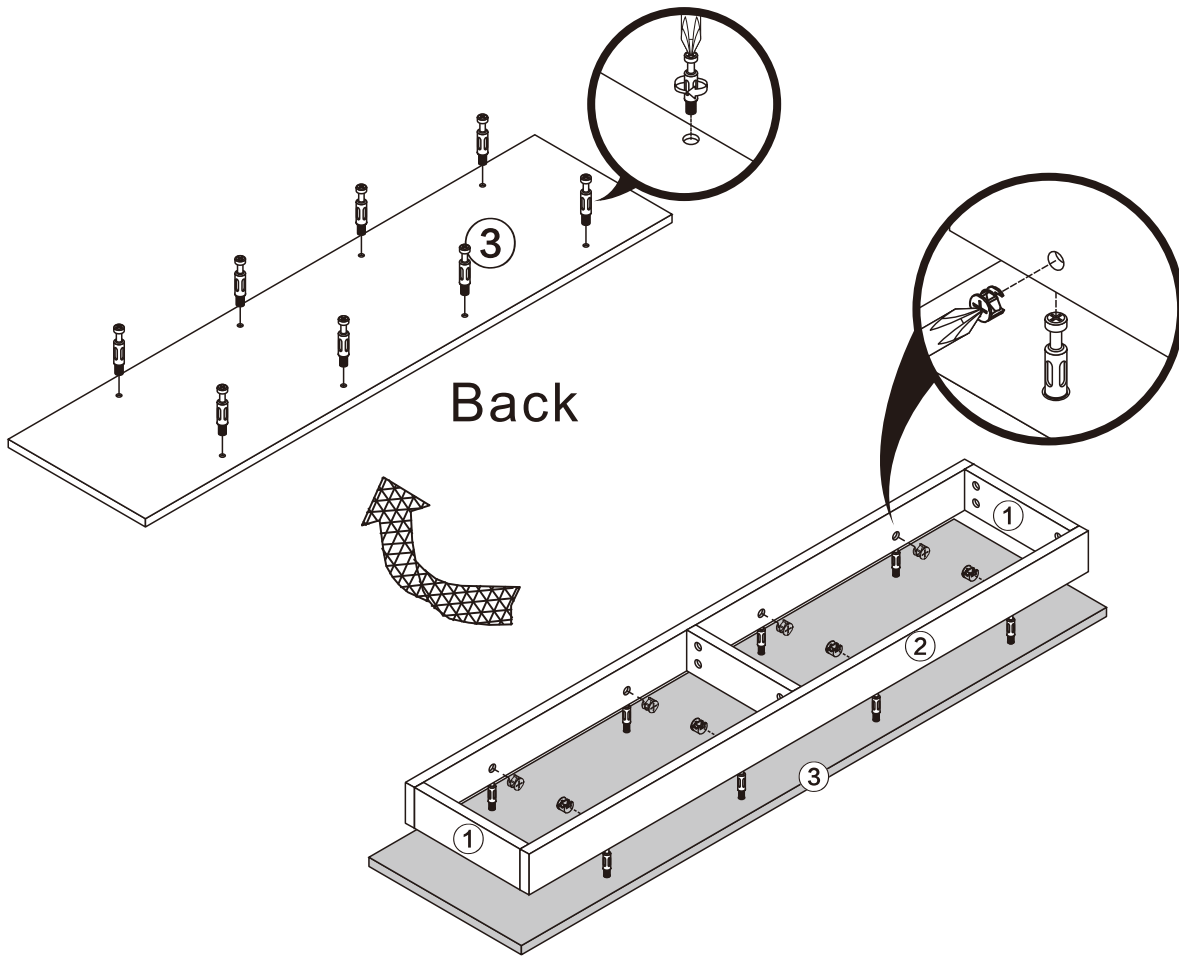
5


# Gx14



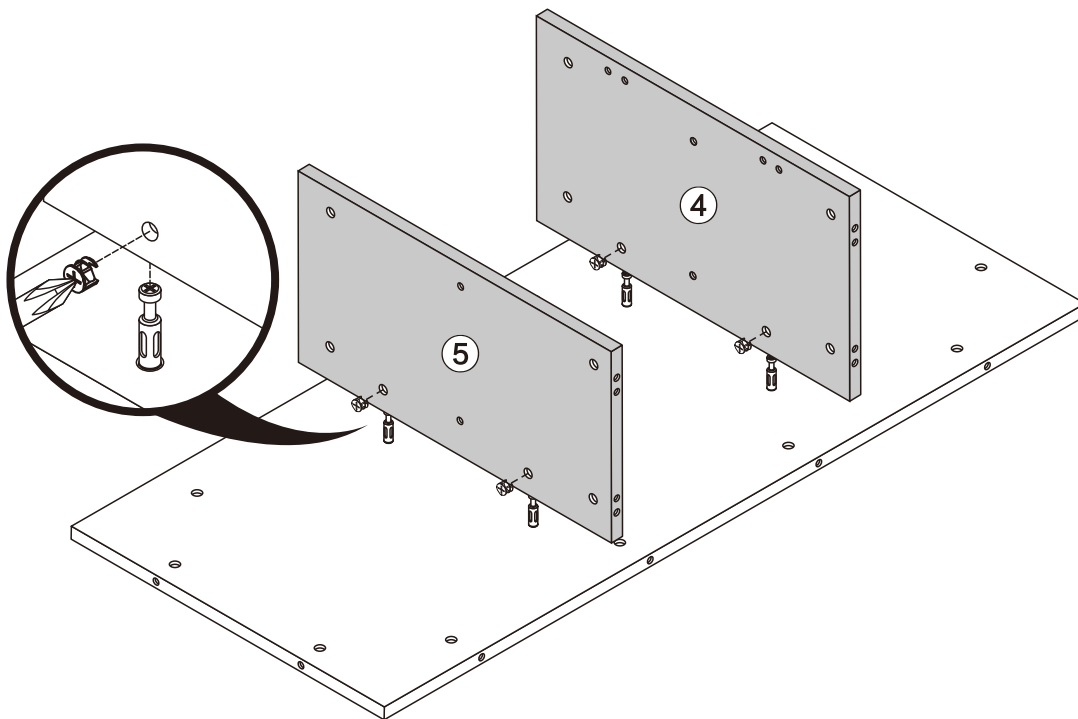
G	14PCS
	
Φ 15mm	


6



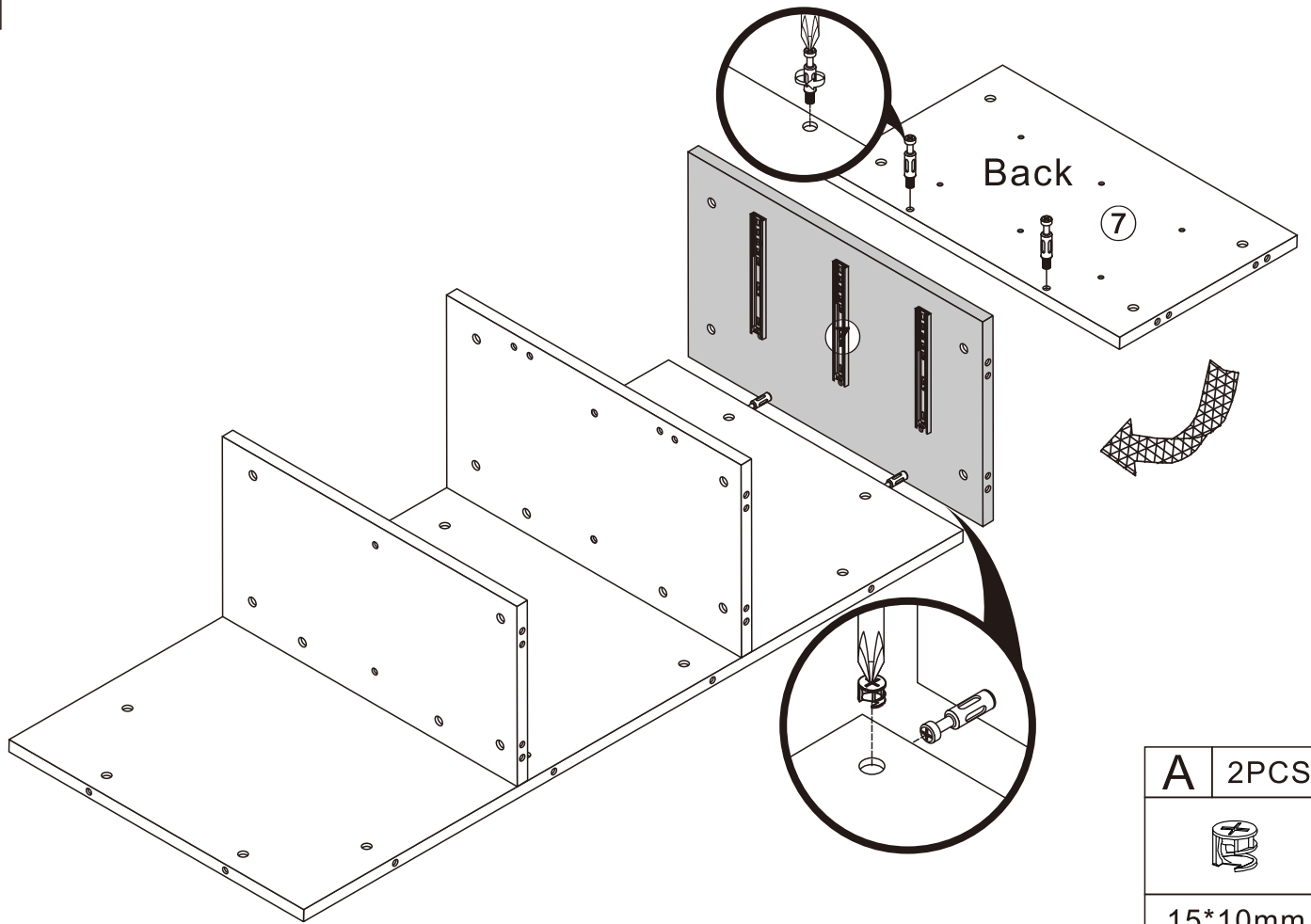
A	8PCS
	
15*10mm	


7



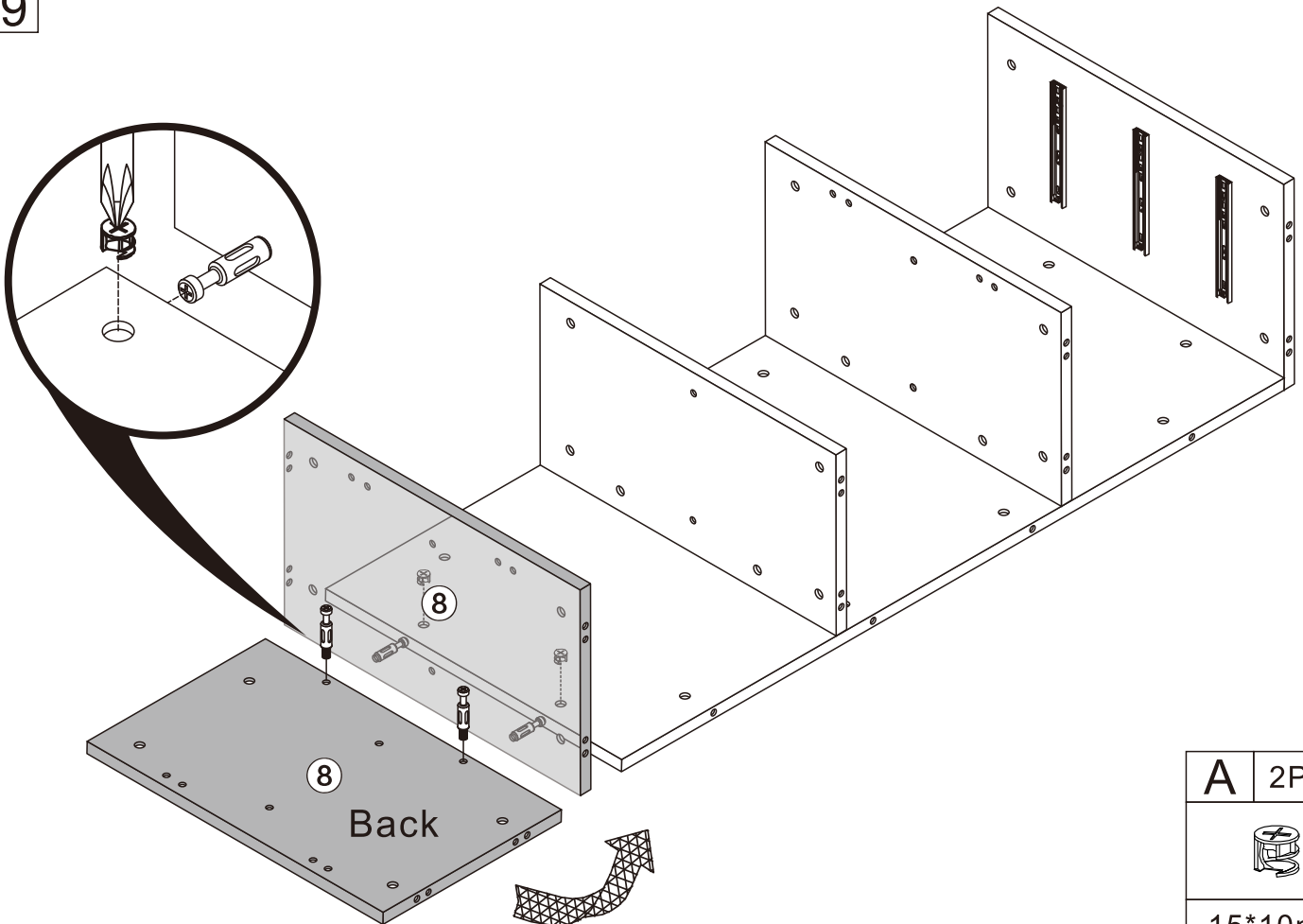
A	4PCS
	
15*10mm	


8

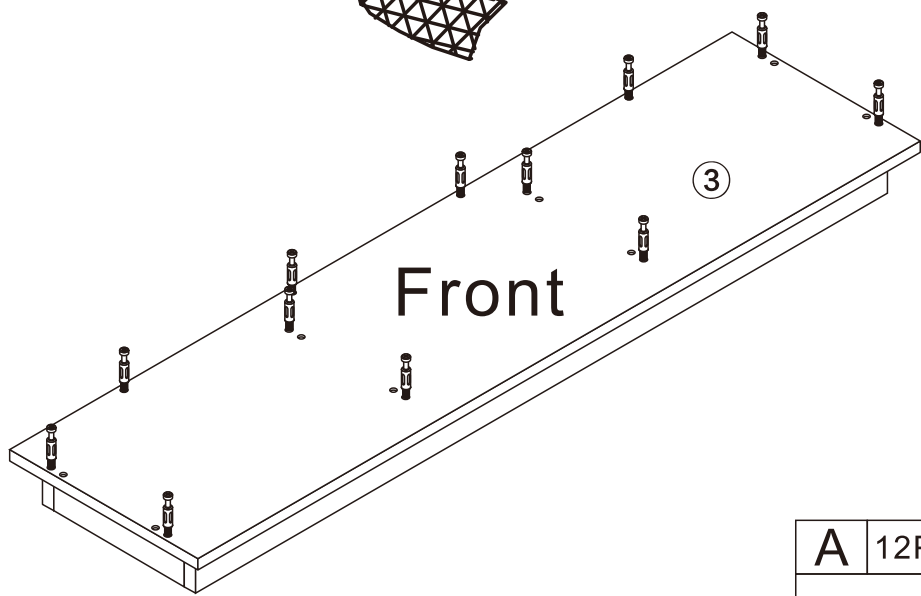
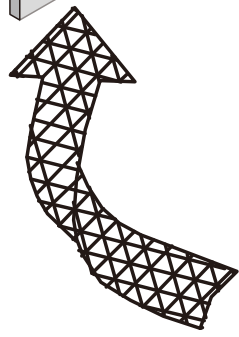
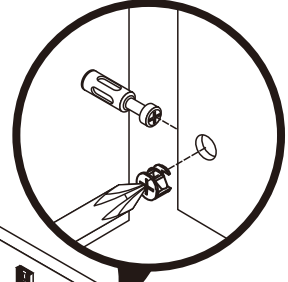
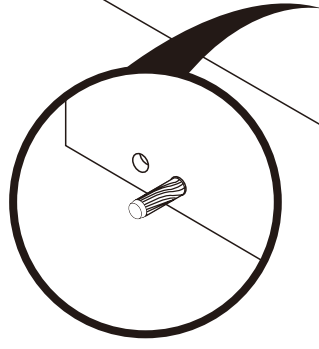
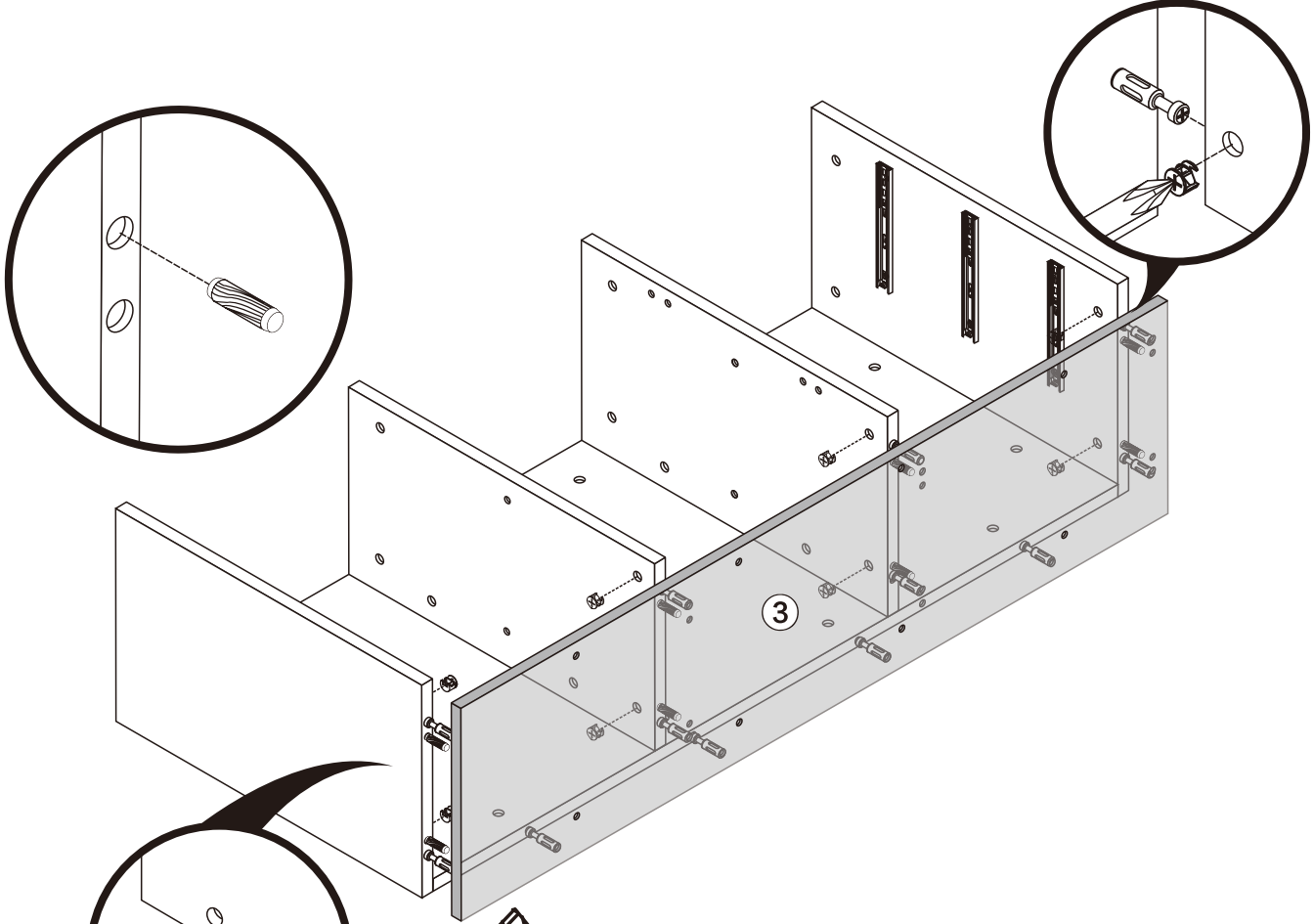




A	2PCS
	
15*10mm	

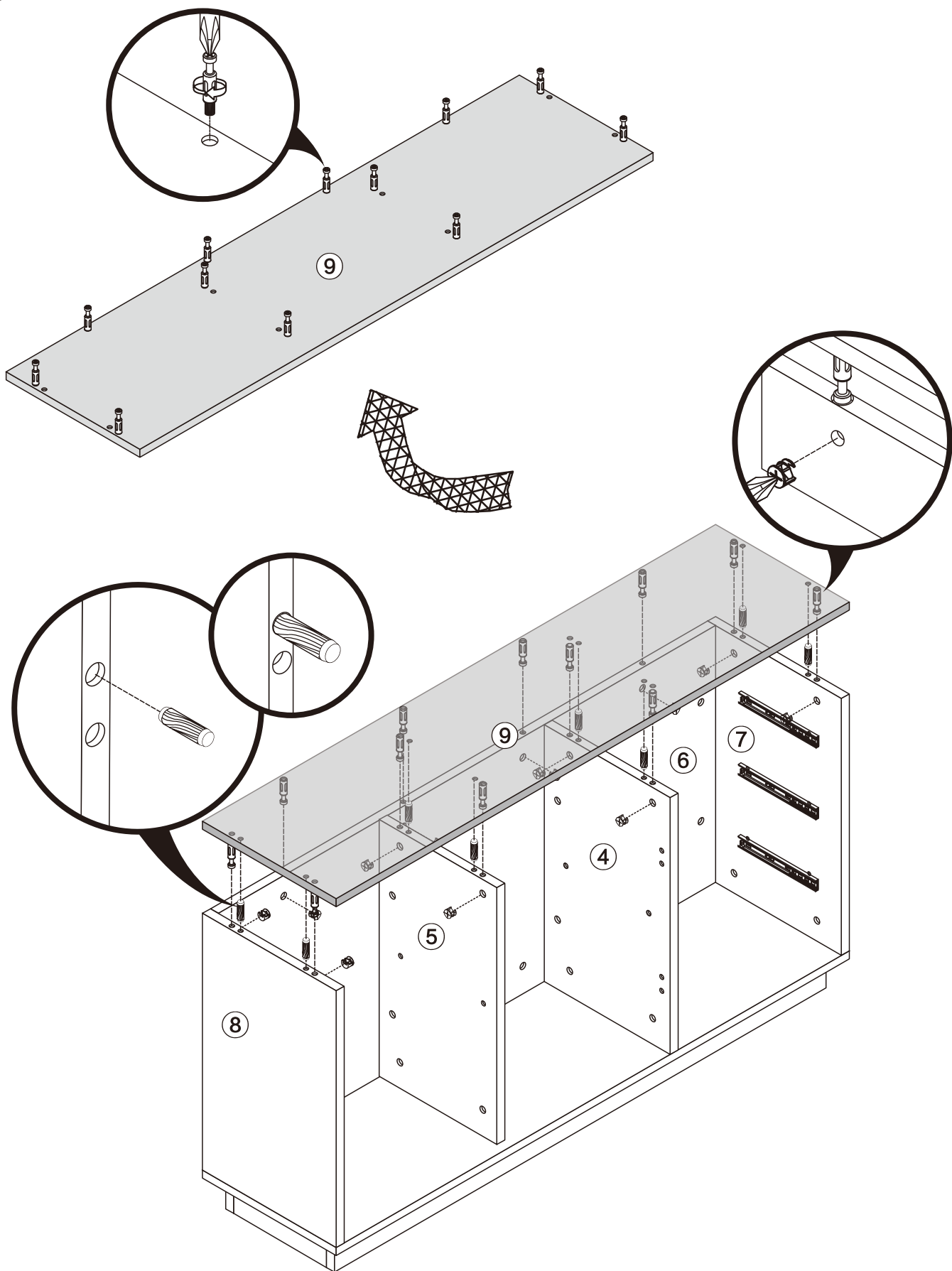
9





A	2PCS
	
15*10mm	

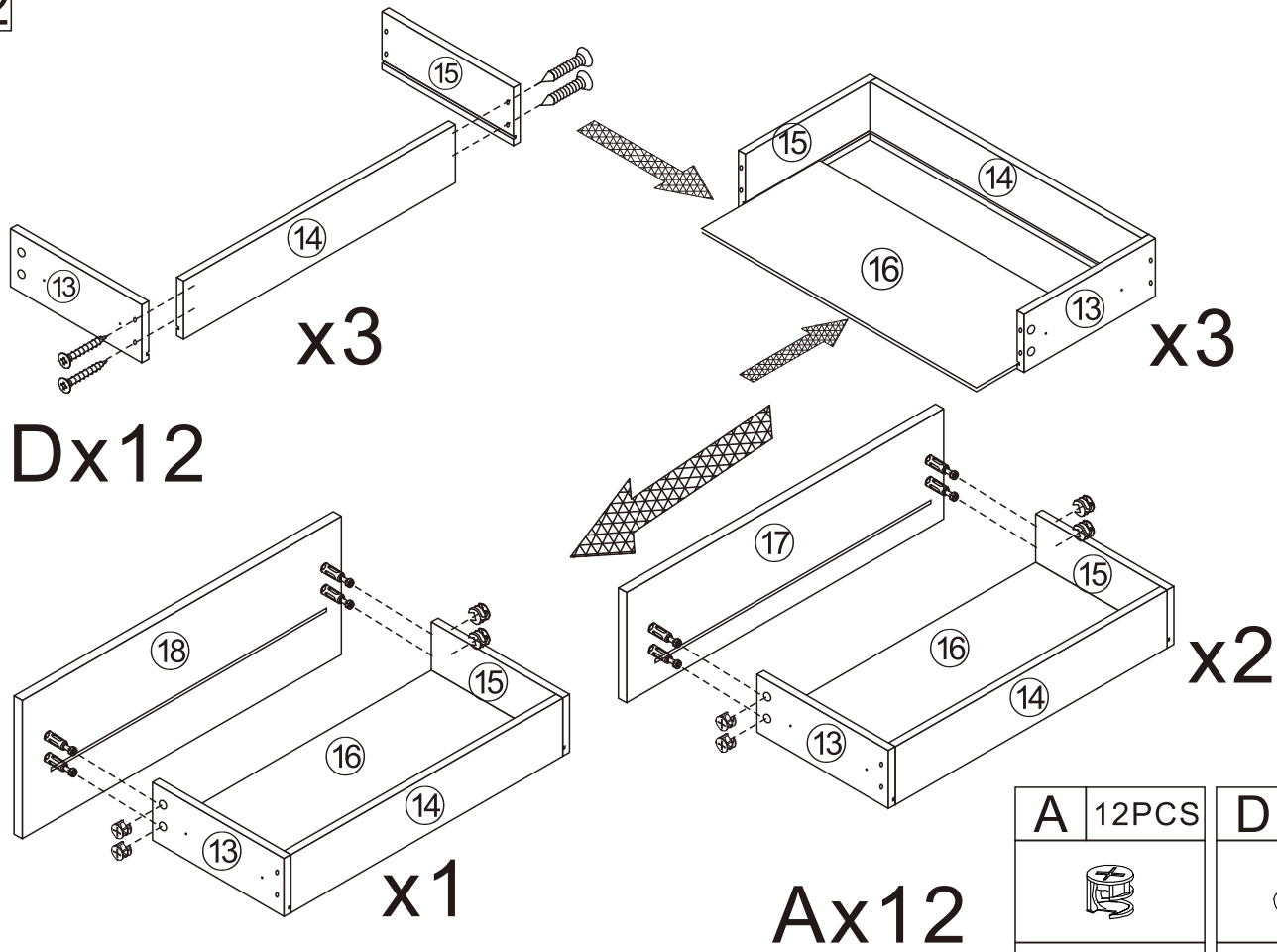


A	12PCS	E	8PCS
			
15*10mm		8*30mm	



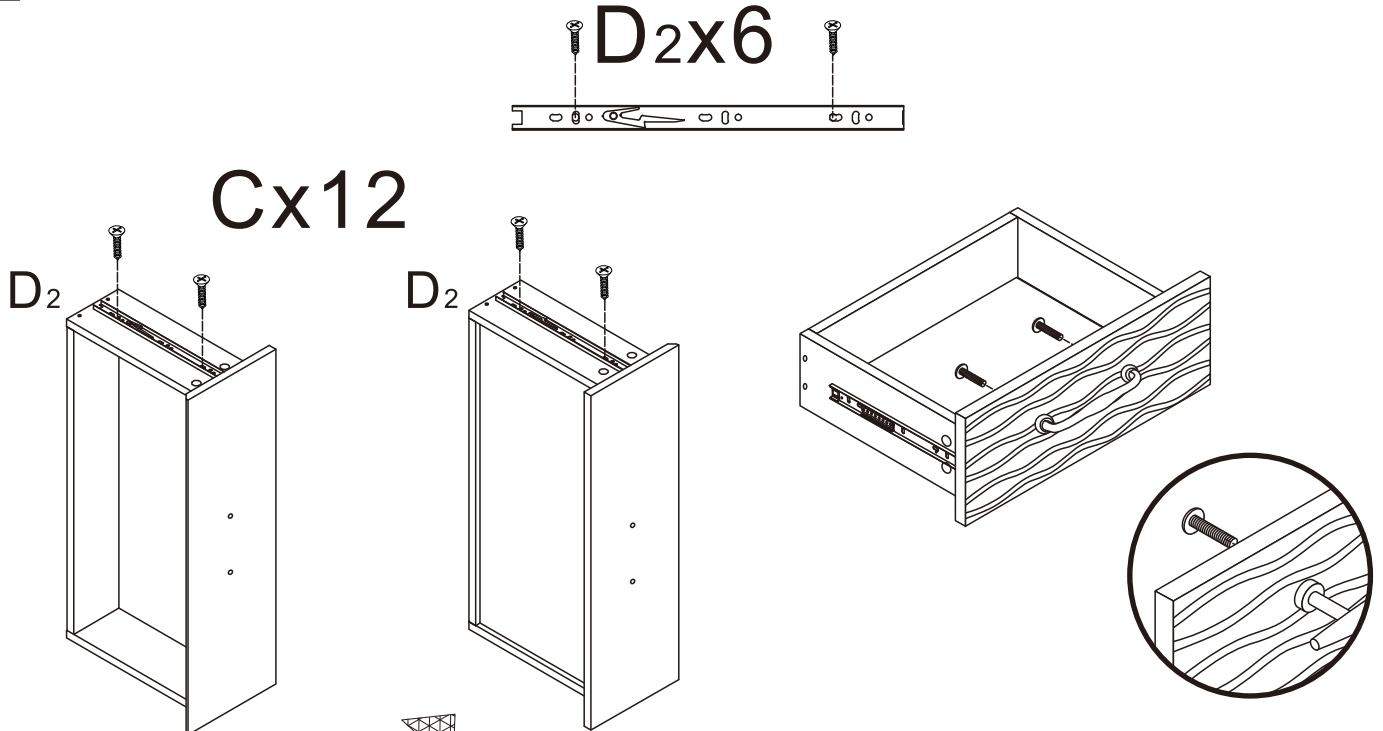
<b>A</b>	12PCS	<b>E</b>	8PCS
			
15*10mm		8*30mm	

12

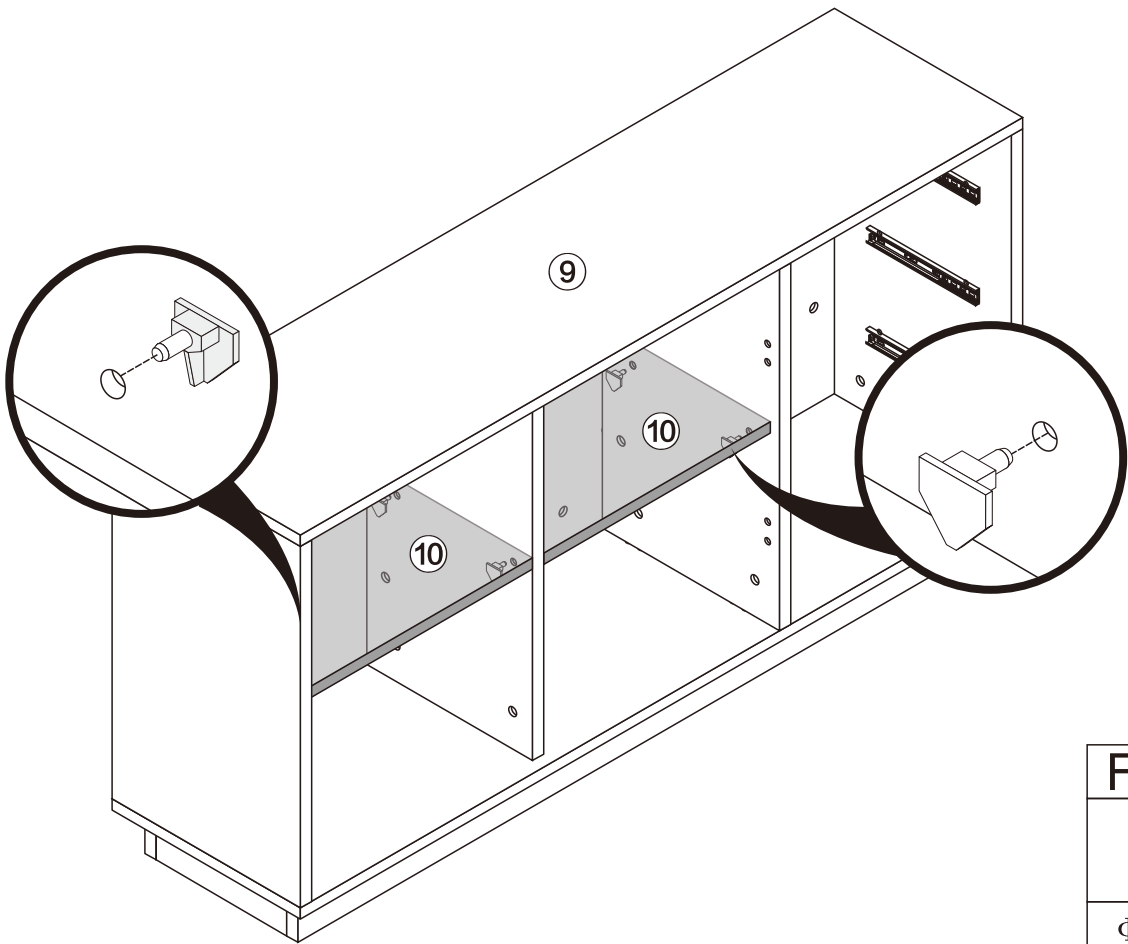


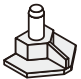
<b>A</b>	12PCS	<b>D</b>	12PCS
15*10mm		3.5*40mm	

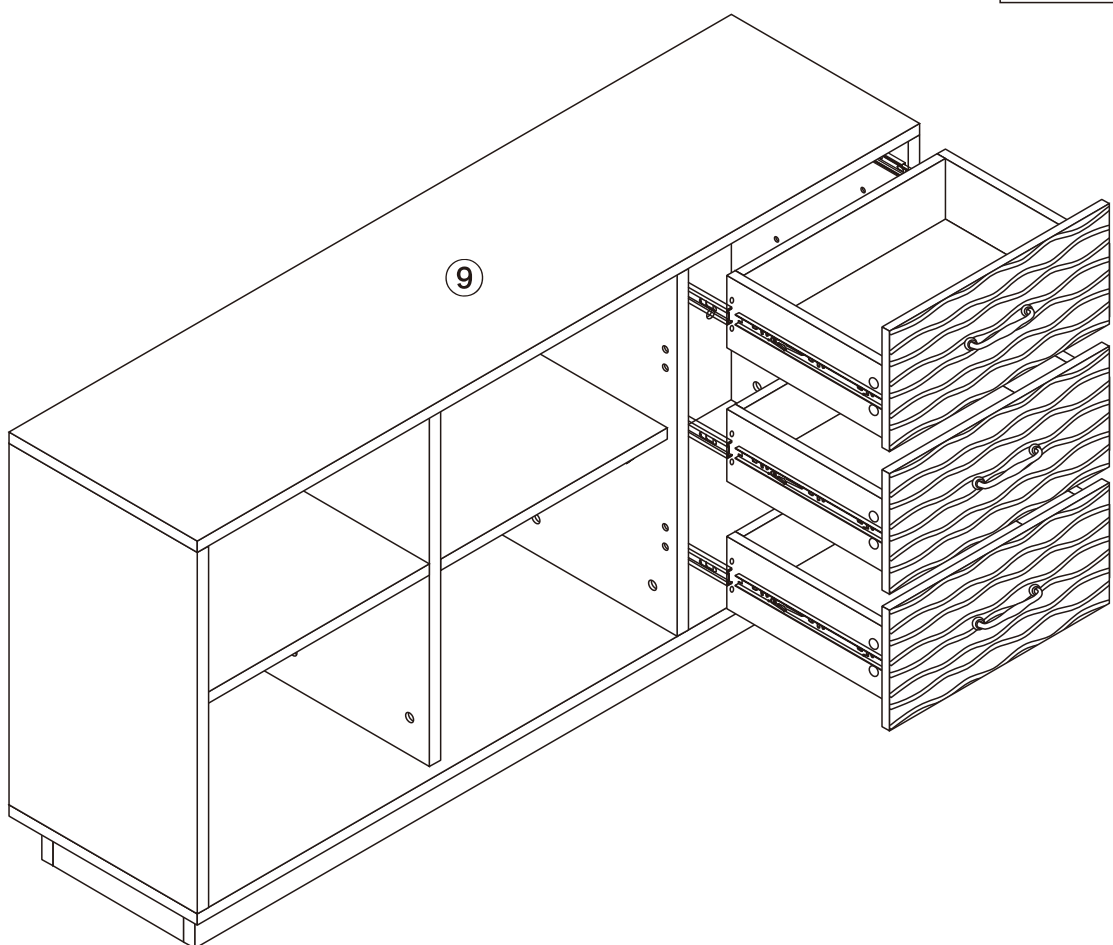
13

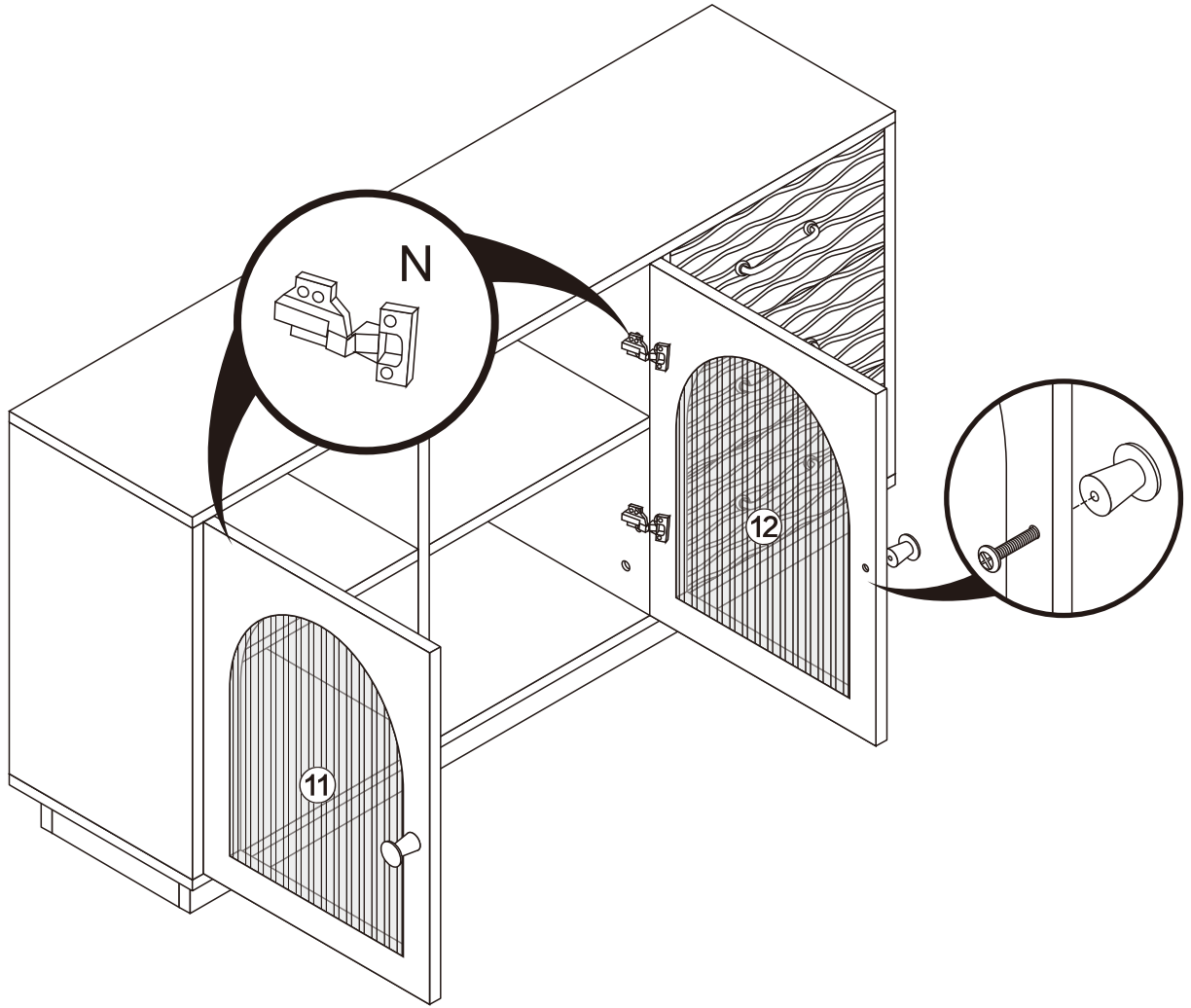






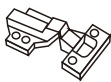
<b>J</b>	6PCS	<b>K</b>	3PCS	<b>C</b>	12PCS	<b>M<sub>2</sub></b>	6PCS
4*22mm		96mm		3.5*14mm		Three-section Rail	

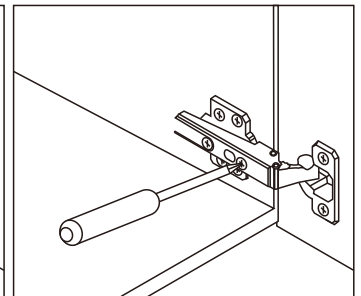
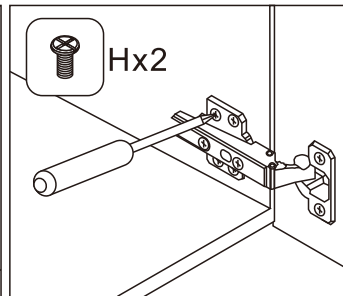
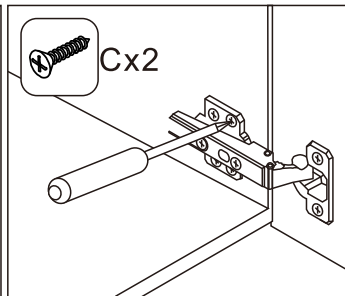
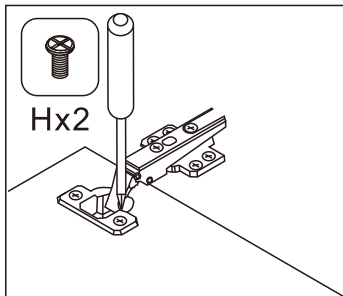


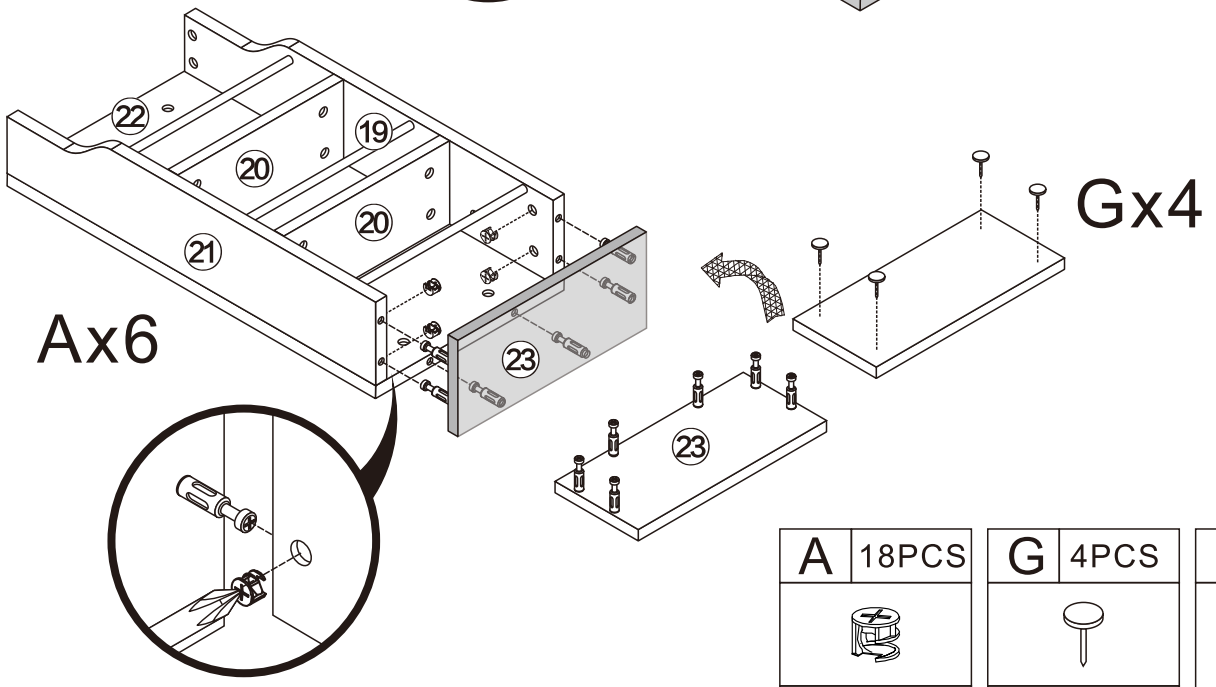
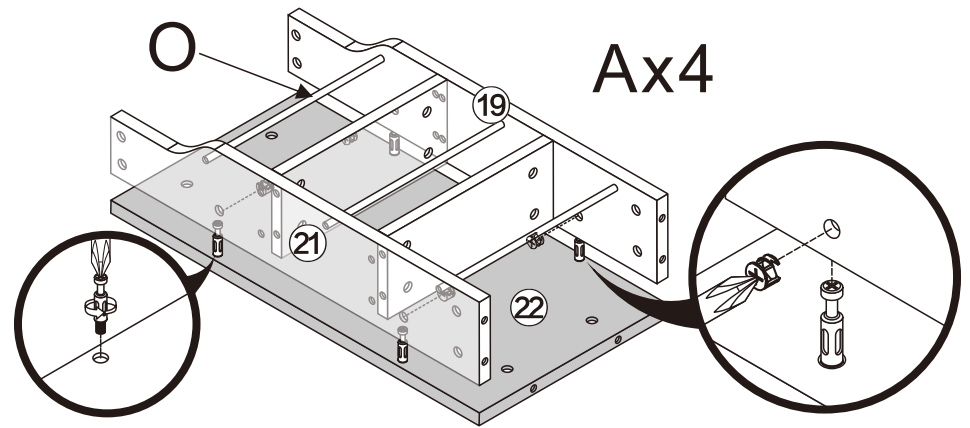
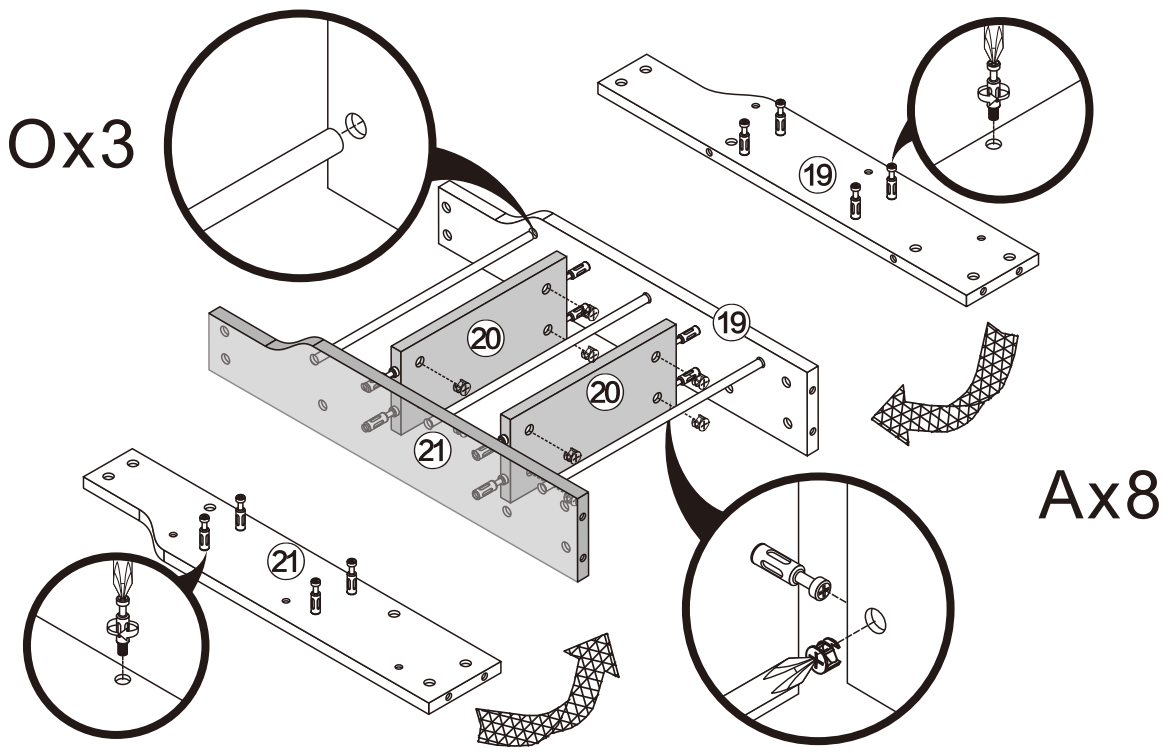
F	8PCS
	
Φ5*8mm	



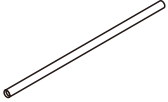




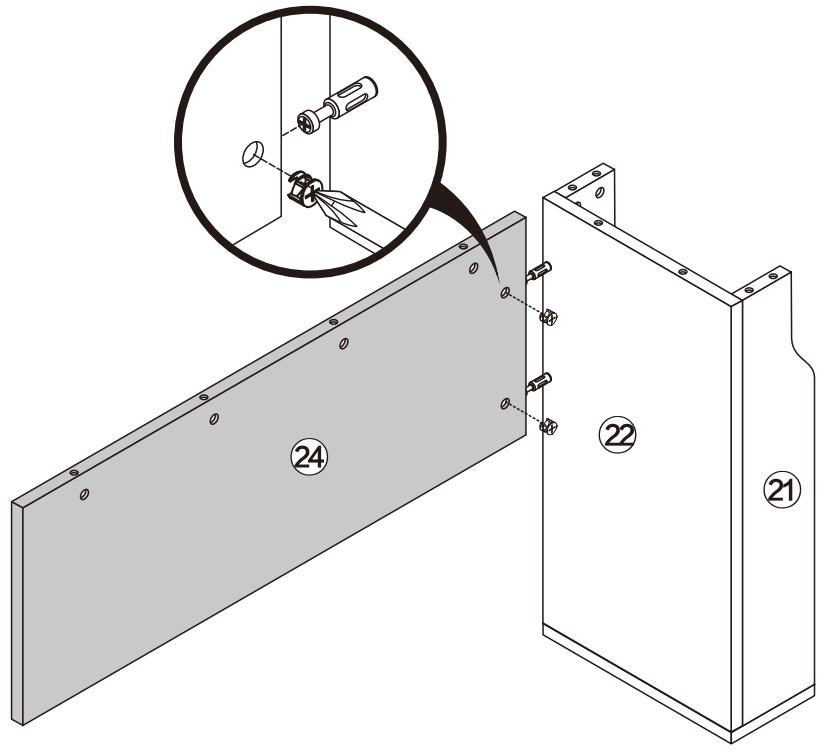
<b>C</b> 8PCS	<b>H</b> 16PCS	<b>I</b> 2PCS	<b>L</b> 2PCS	<b>N</b> 4PCS
				
3.5*14mm	4*12mm	4*18mm		






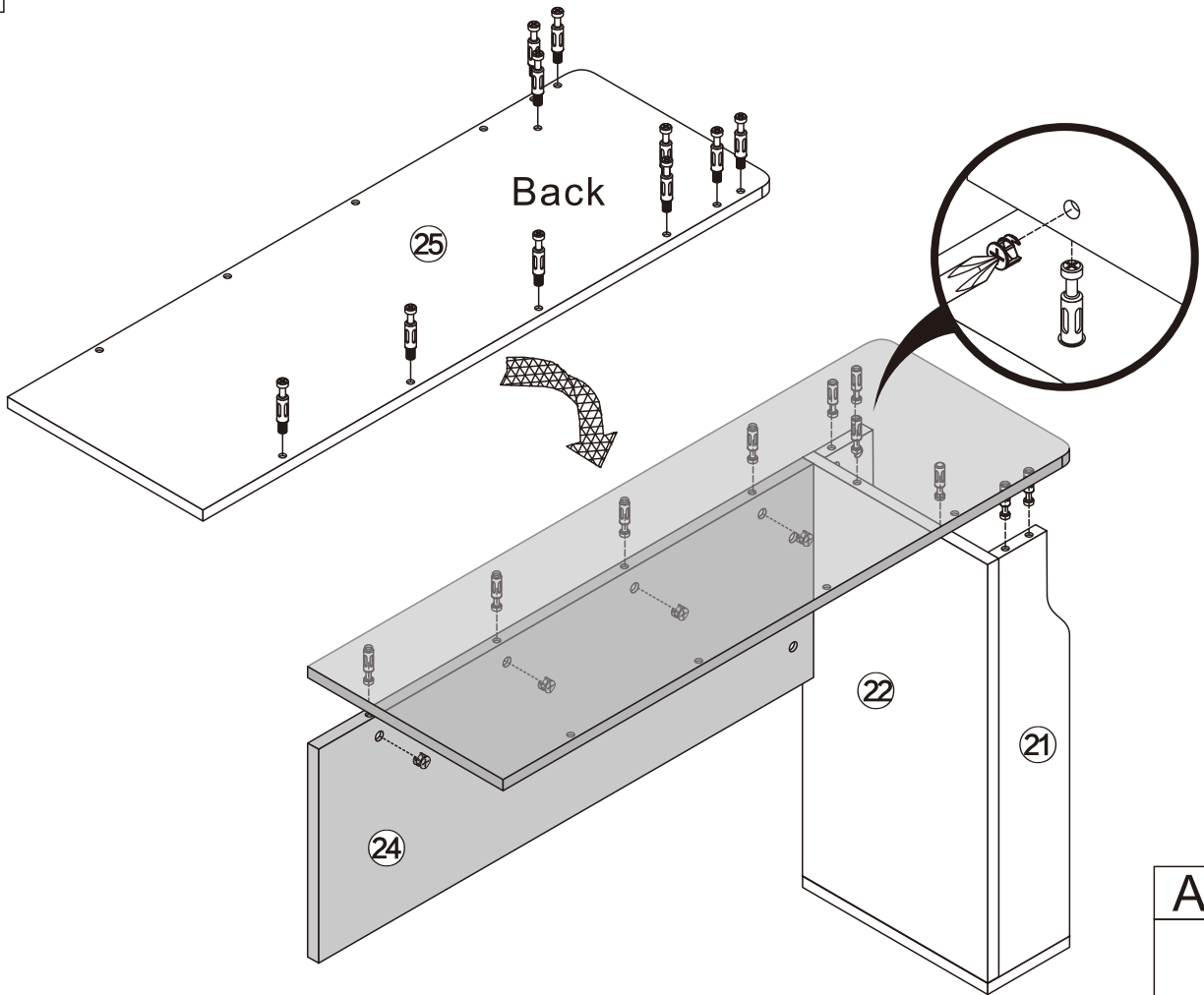
<b>A</b>	18PCS	<b>G</b>	4PCS	<b>O</b>	3PCS
					
15*10mm		Φ 15mm			


17

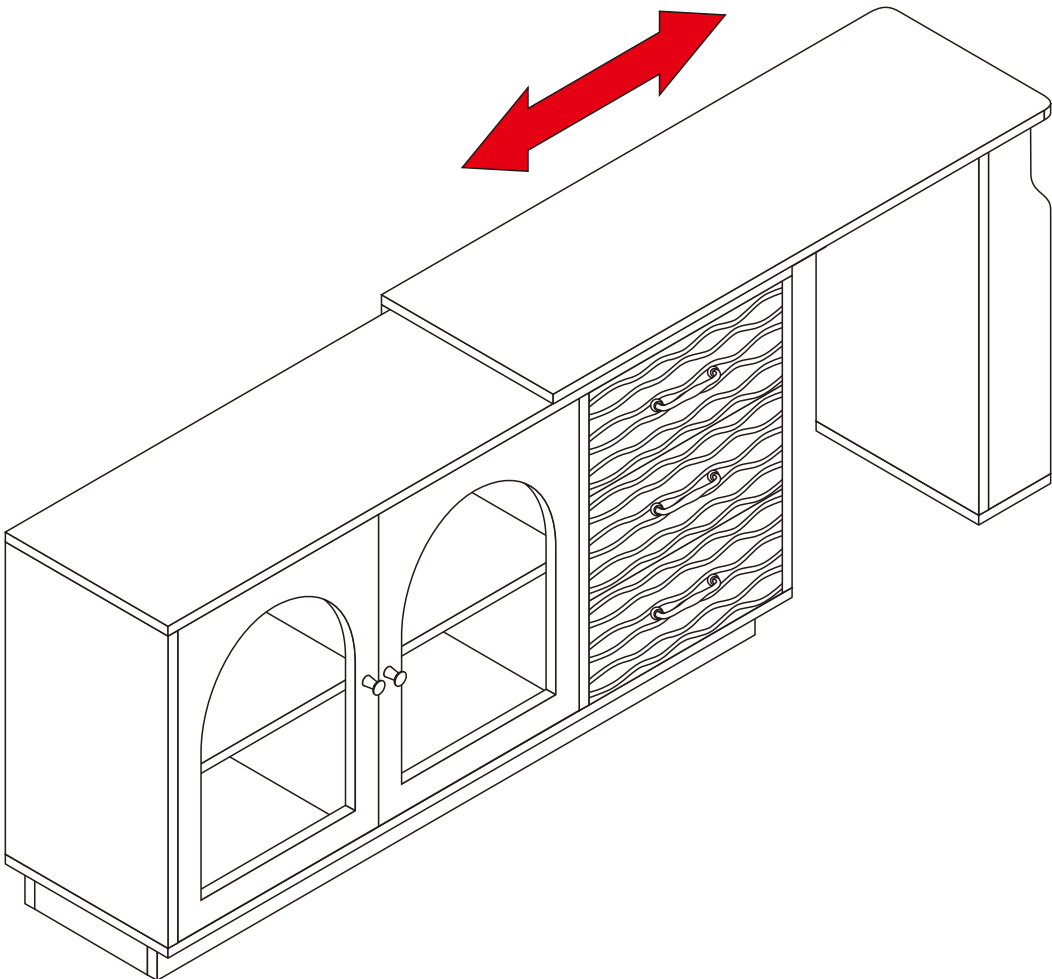
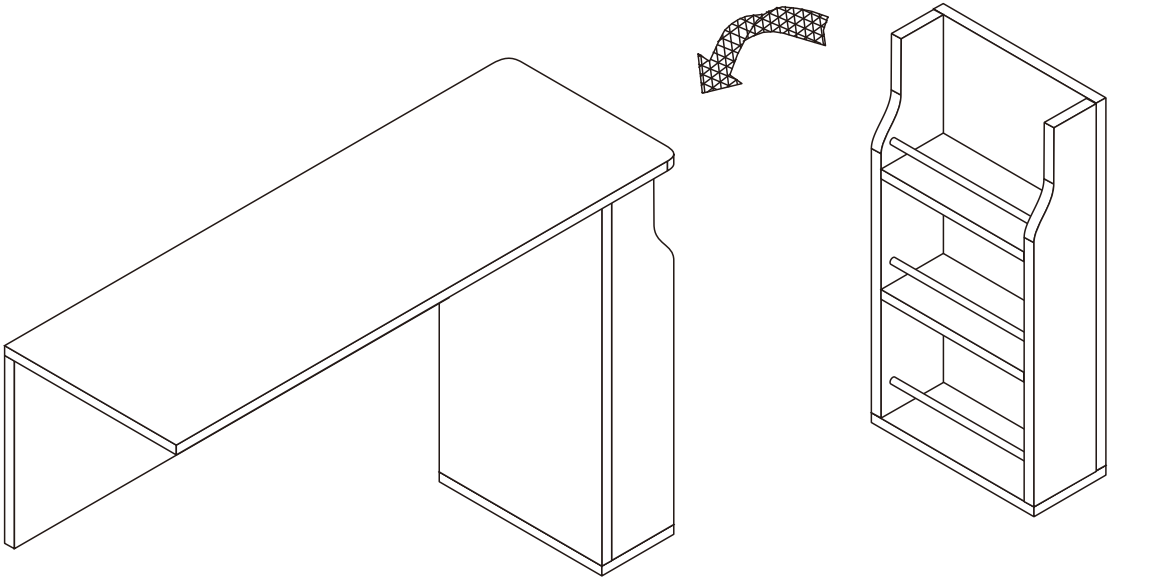


A	2PCS
	
15*10mm	

18



A	10PCS
	
15*10mm	



**ok!**