

INSTRUCTIONS

Rex



Assembly Instruction

1. Before installation please refer to the manual with the correct quantity of components.

2. For safety issues, please always wear protective glove during installation.

3. Install products on a carpet or mat to prevent damage to floors.

4. Recommendation of 1-2 people for easier installation.

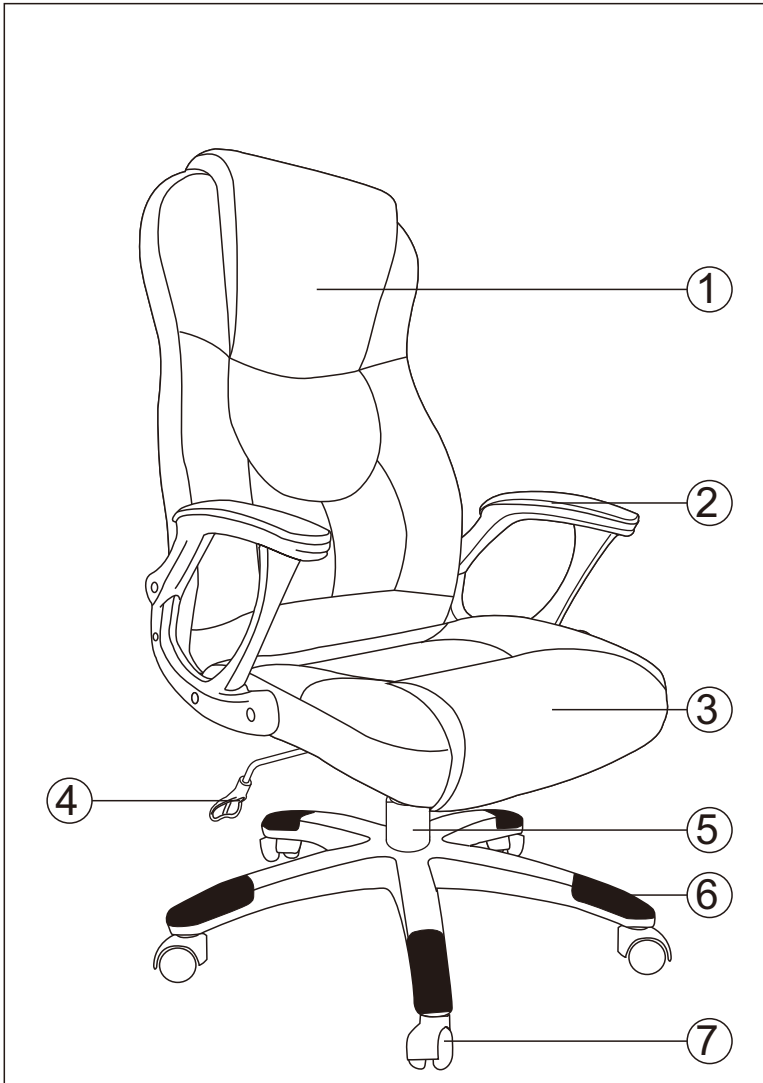
5. Please note it is difficult to detach gas lift once it is installed.

6. To detach, please first disengage the mechanism from the bottom part of chair.







Then with a plastic hammer gently tap one side of the base, thus loosen up and detach the gas lift from the base.

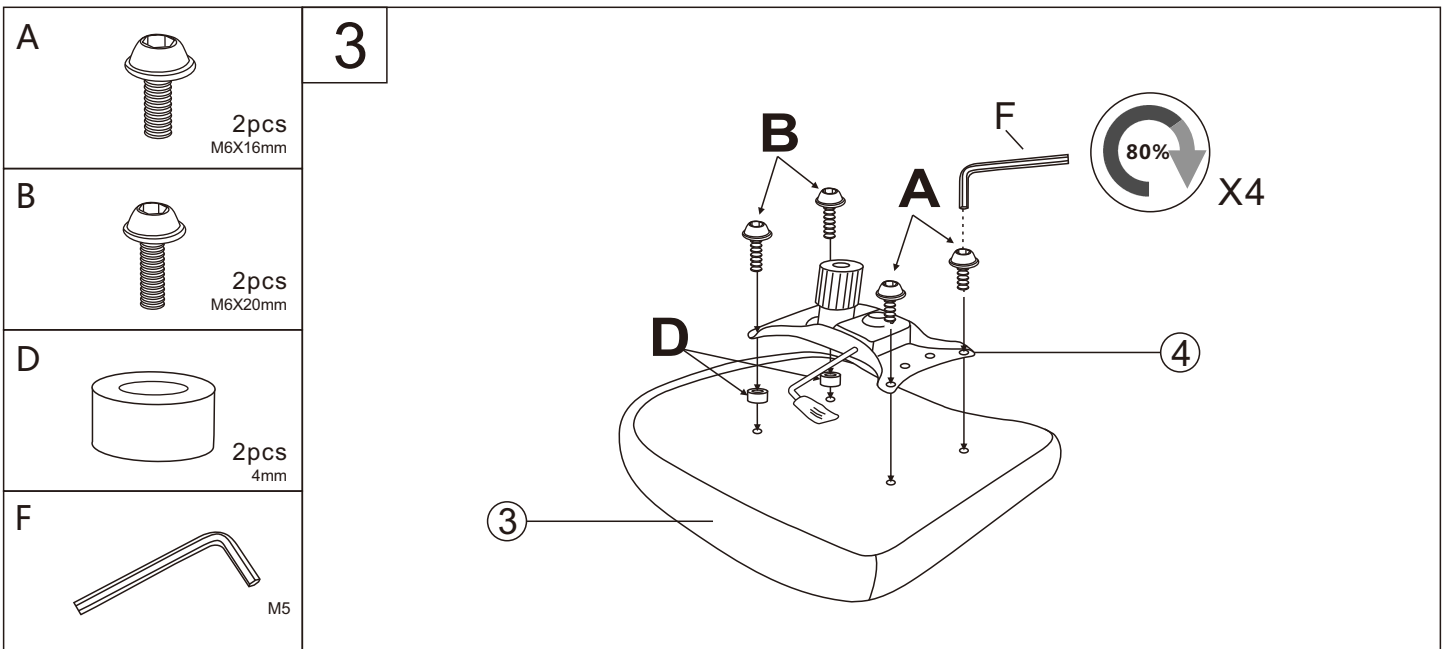
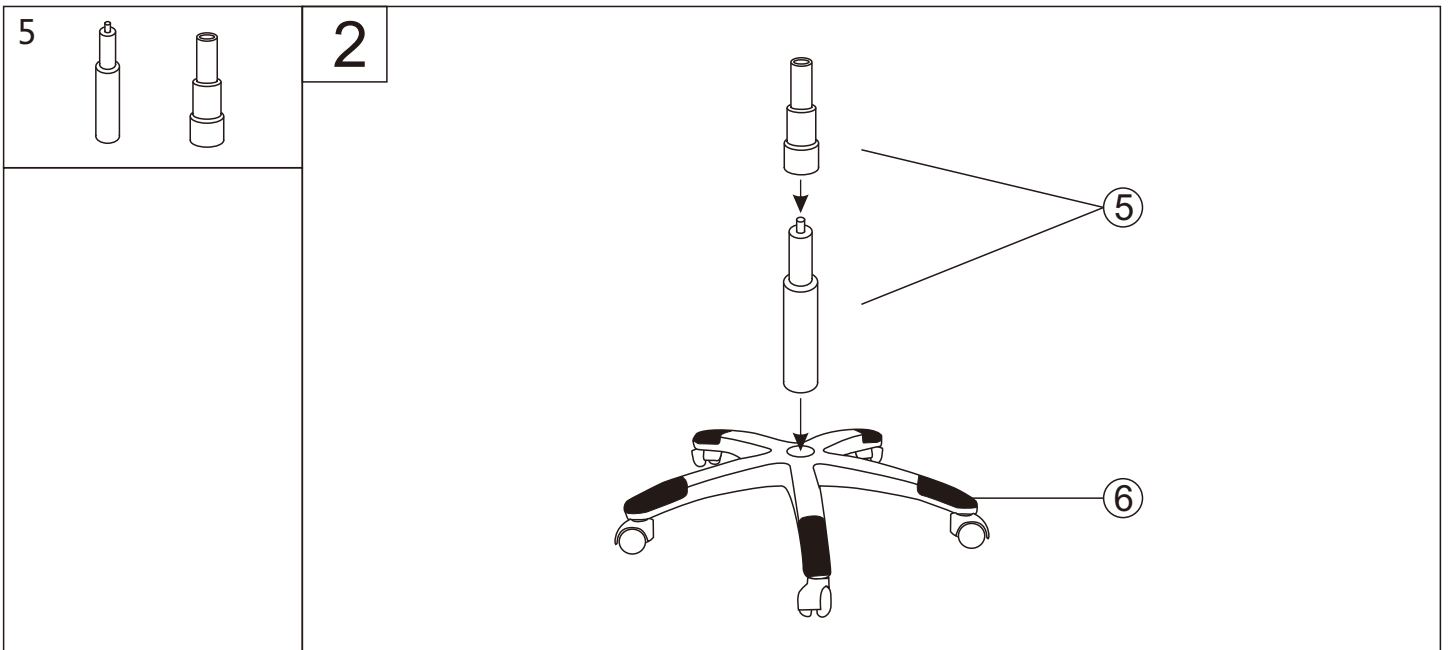
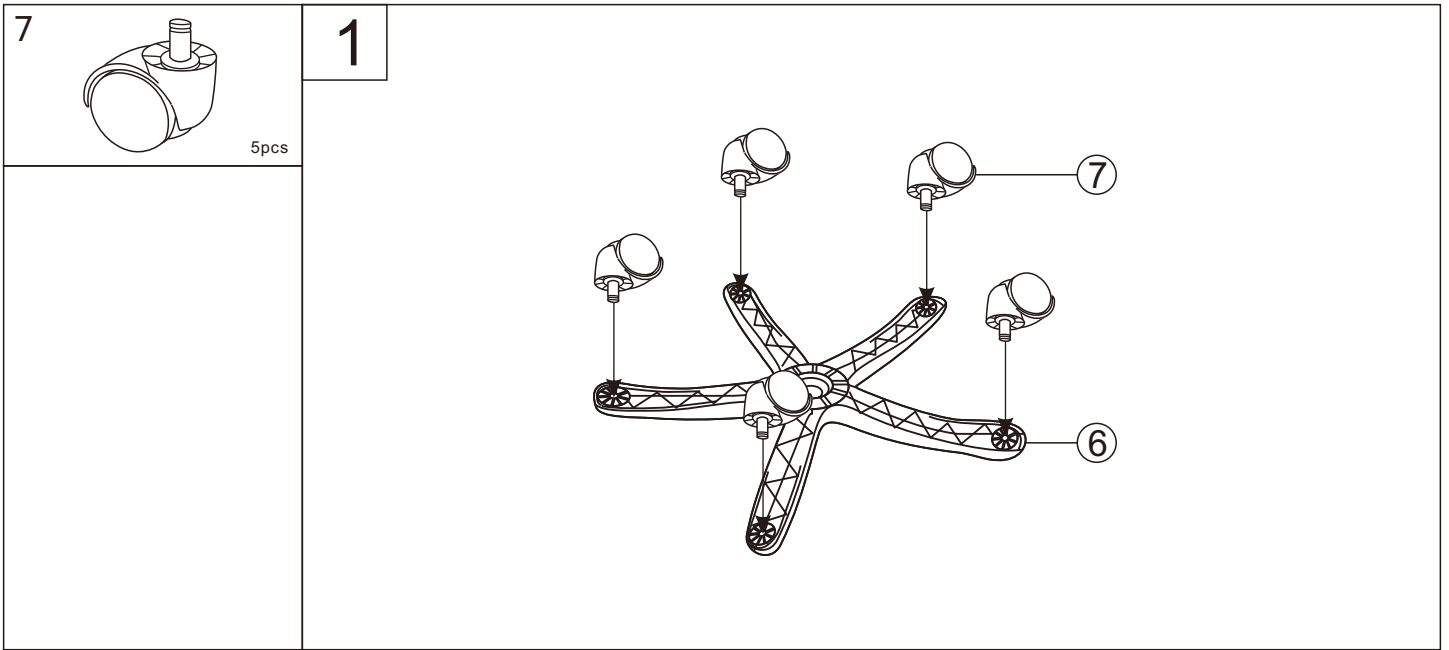
Then in order to detach the gas lift from the mechanism, turn it upside down and use the plastic hammer gently tap on the mechanism.

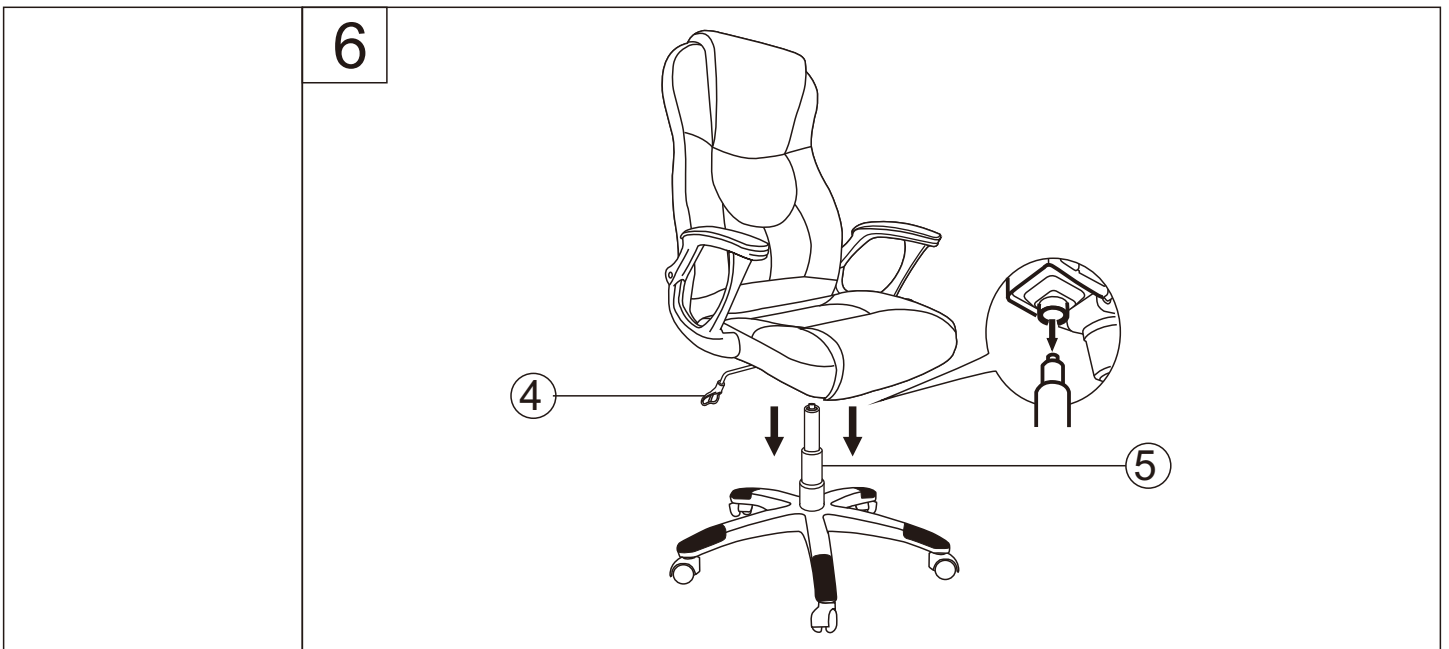
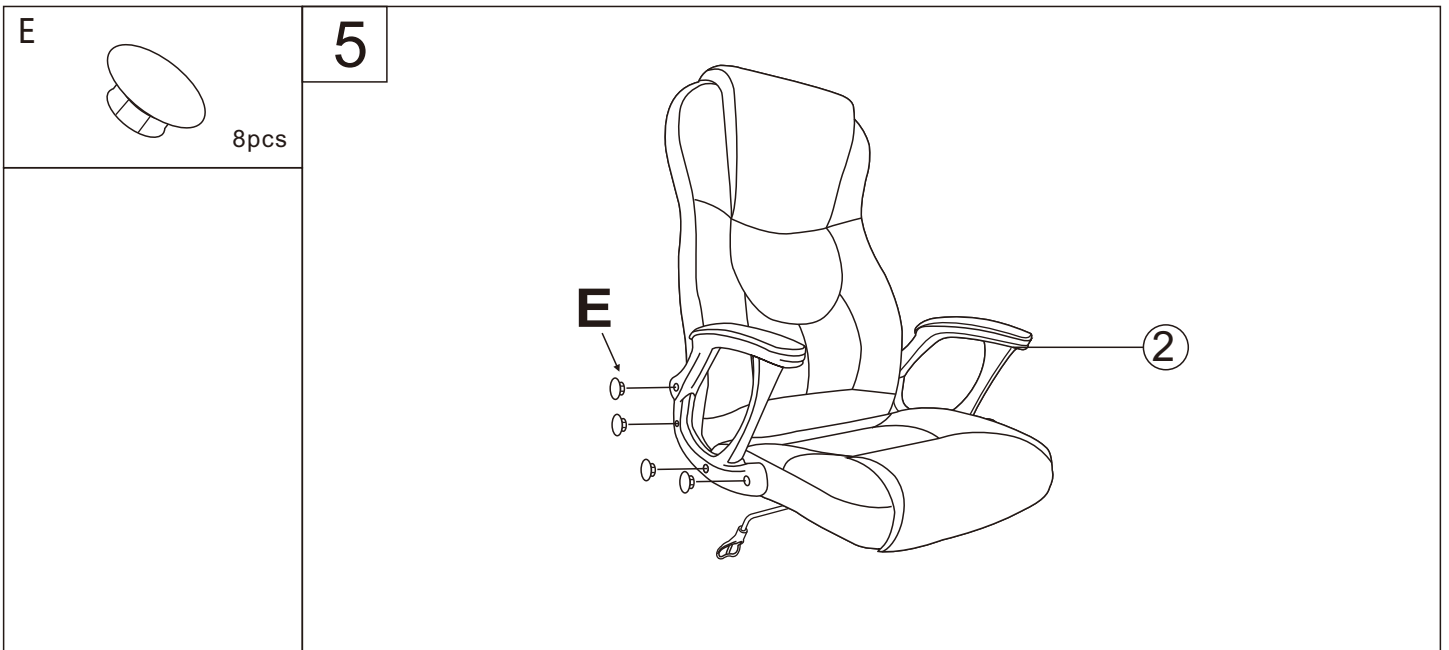
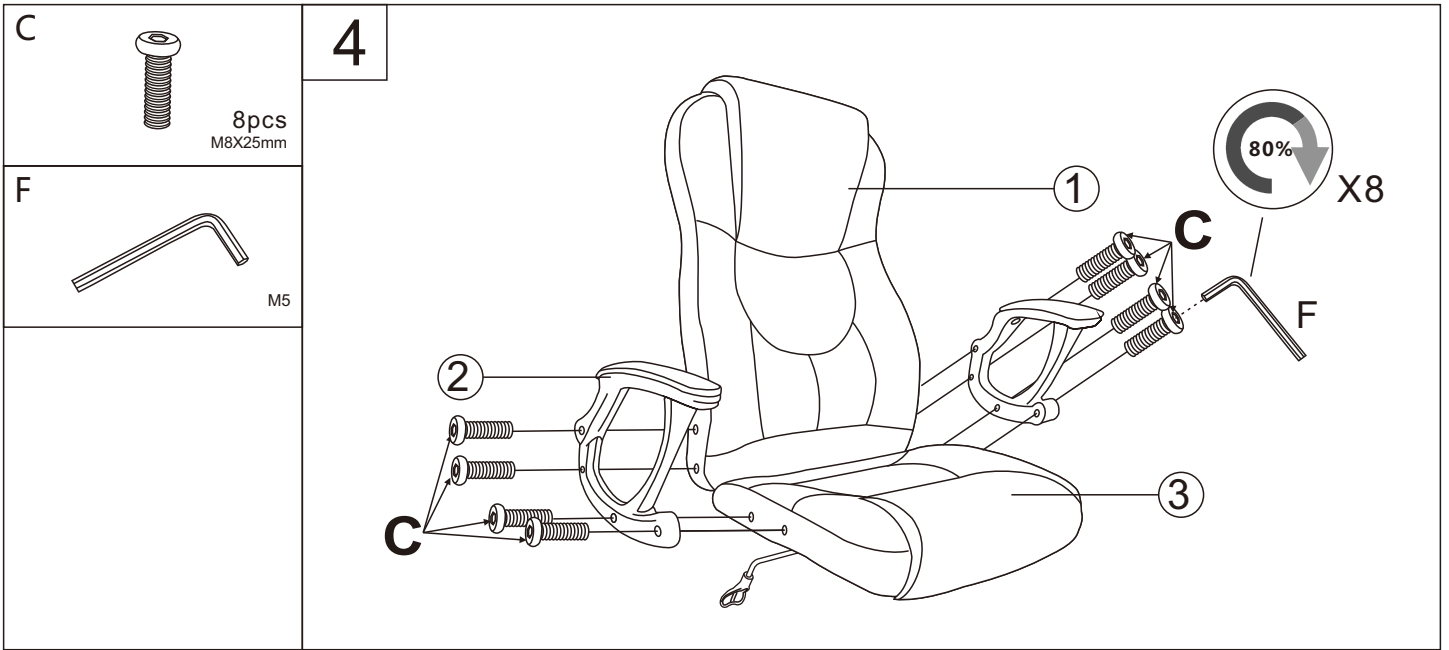
PARTS LIST



1	BACK
2	ARMREST(L)&®
3	SEAT
4	MECHANISM
5	GAS LIFT
6	BASE
7	CASTOR

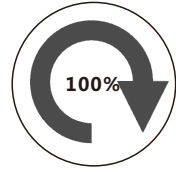
<p>A bolt</p>  <p>2pcs M6X16mm</p>	<p>B bolt</p>  <p>2pcs M6X20mm</p>	<p>C bolt</p>  <p>8pcs M8X25mm</p>	<p>D Rubber pad</p>  <p>2pcs 4mm</p>
<p>E Rubber cover</p>  <p>8pcs</p>	<p>F Allen key</p>  <p>M5</p>	<p>G</p>	<p>H</p>





7

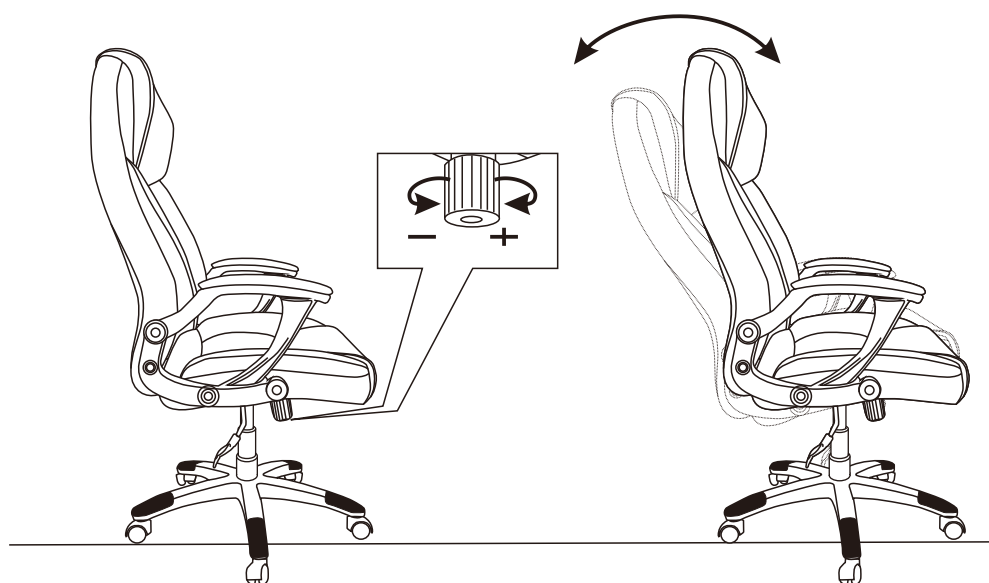
Finish



ALL SCREW



Functional introduction:



Maintenance and Repair

To protect your furniture, we recommend:

1. Avoid placing furniture in direct sunlight.
2. Please do not place the product near windows.
3. Please do not put sharpe objects (such as knife) directly on the furniture as sharpe objects could scratch and damage the surface.
4. Please do not place high temperature materials directly on the surface of furniture.
5. Please do not leave liquids (such as water, alcohol, perfume, nail polish, juice etc.) on the product.
6. Clean the furniture with dry and clean rag that is not easy to depilate. Please do not use any detergent as it could damage the surface.
7. Please do not stand on the chair or use the chair as ladder.
8. A chair can only sit one person at a time.