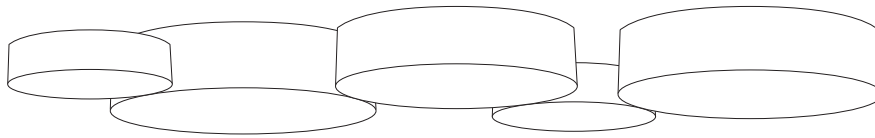


A

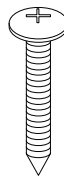


A



x 1

B



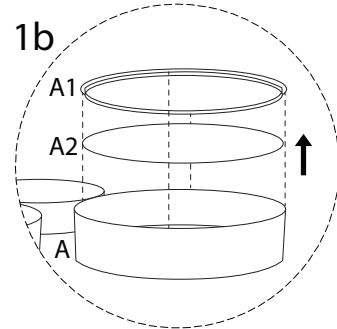
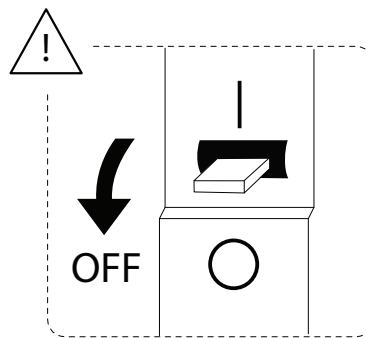
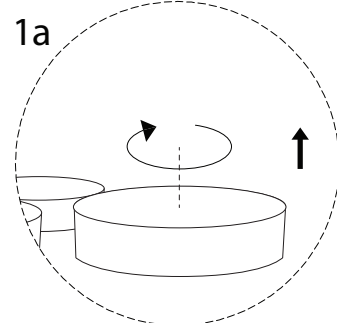
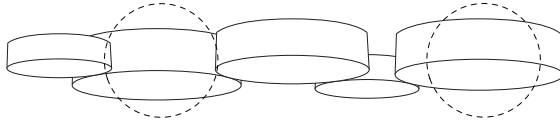
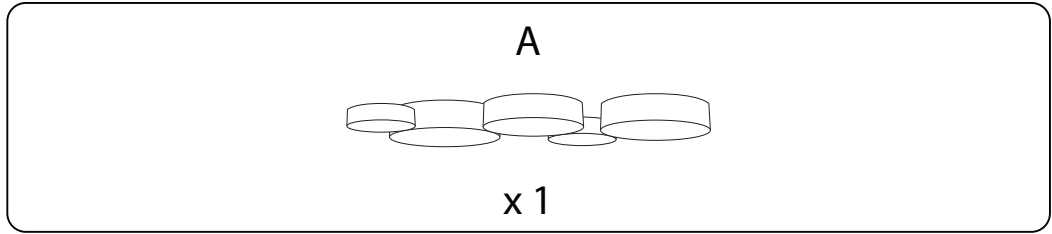
x 2

C

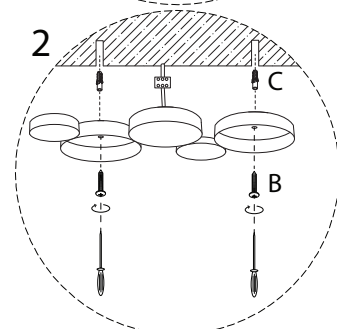
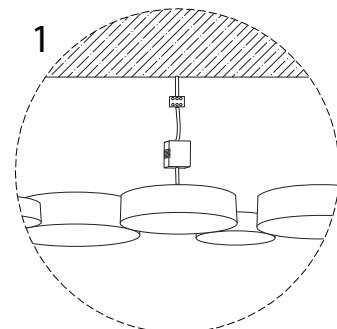
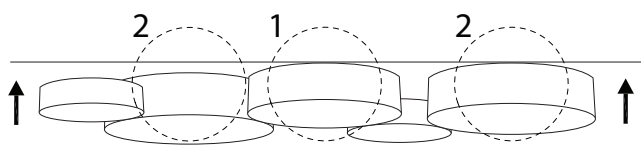
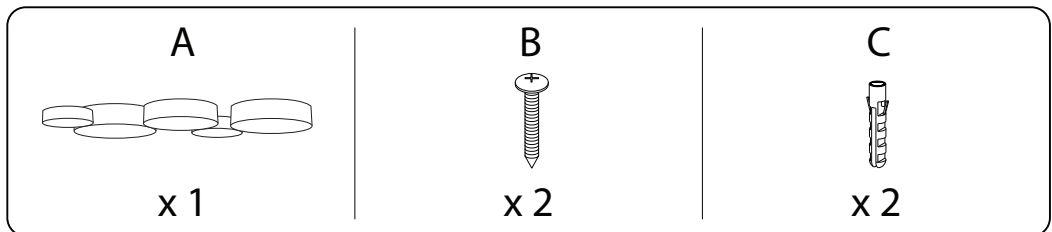


x 2

1



2



3

