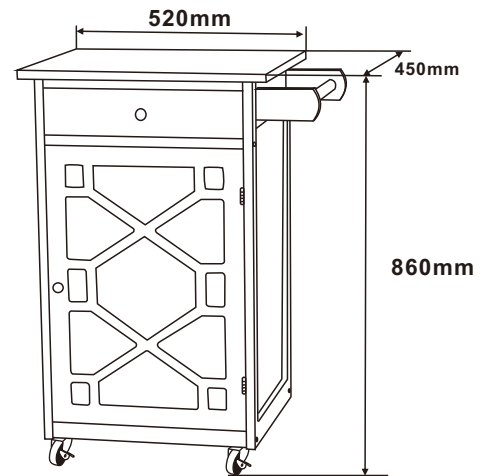
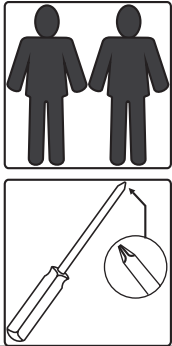


ASSEMBLY INSTRUCTION



PARTS LIST

1 1pc	2 1pc	3 1pc	4 1pc	5 2pcs
6 1pc	7 1pc	8 1pc	9 1pc	10-11 1set
12-15 1set				

HARDWARE LIST

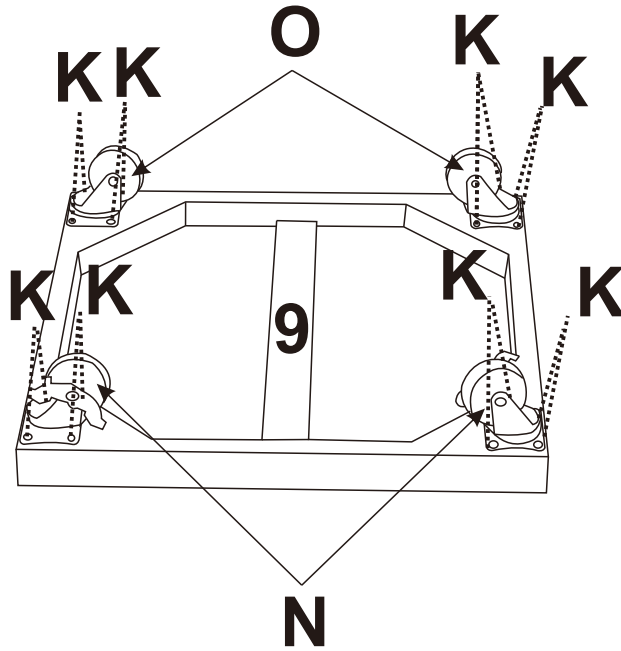
A ∅ 5x40mm 12pcs	B ∅ 4x40mm 4pcs	C ∅ 3x25mm 8pcs	D 2pcs	E ∅ 4x16mm 2pcs	F 2pcs
G ∅ 6x30mm 2pcs	H 1pc	I 1pc	J ∅ 3x12mm 12pcs	K ∅ 4x16mm 16pcs	L 4pcs
M 1pc	N 2pcs	O 2pcs			

1

Kx16 

Nx2 


Ox2 

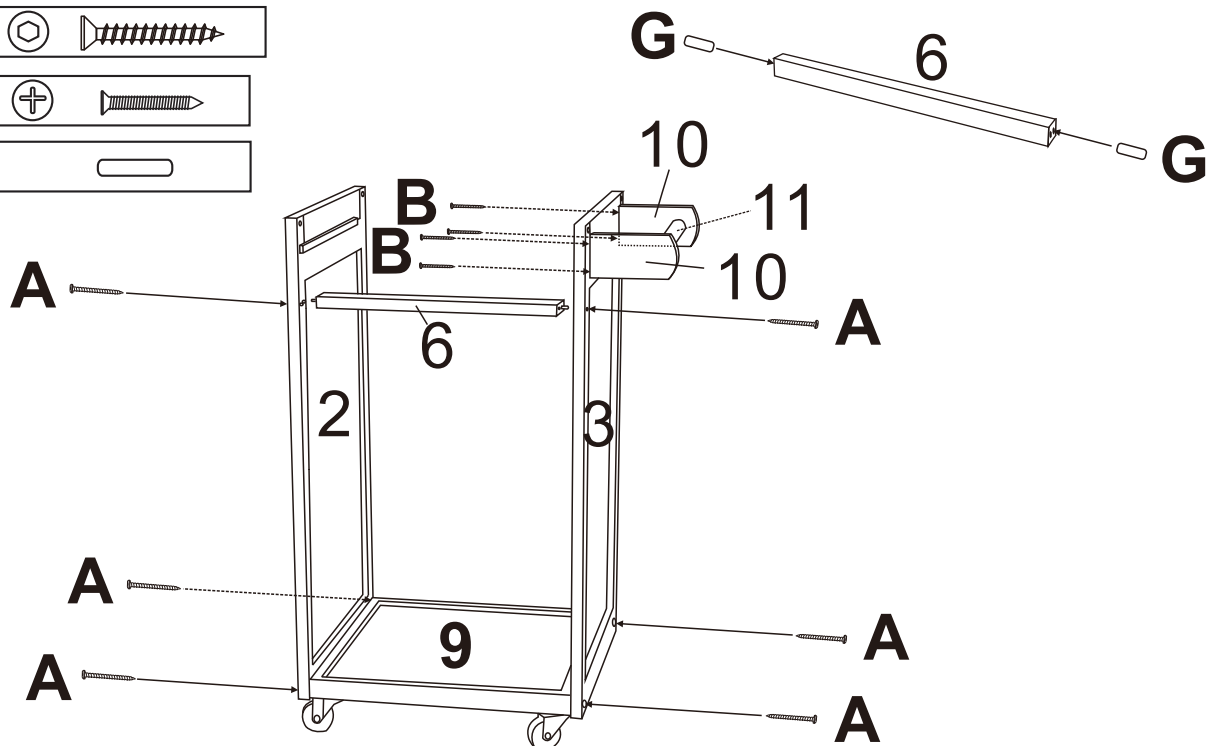


2

Ax6  

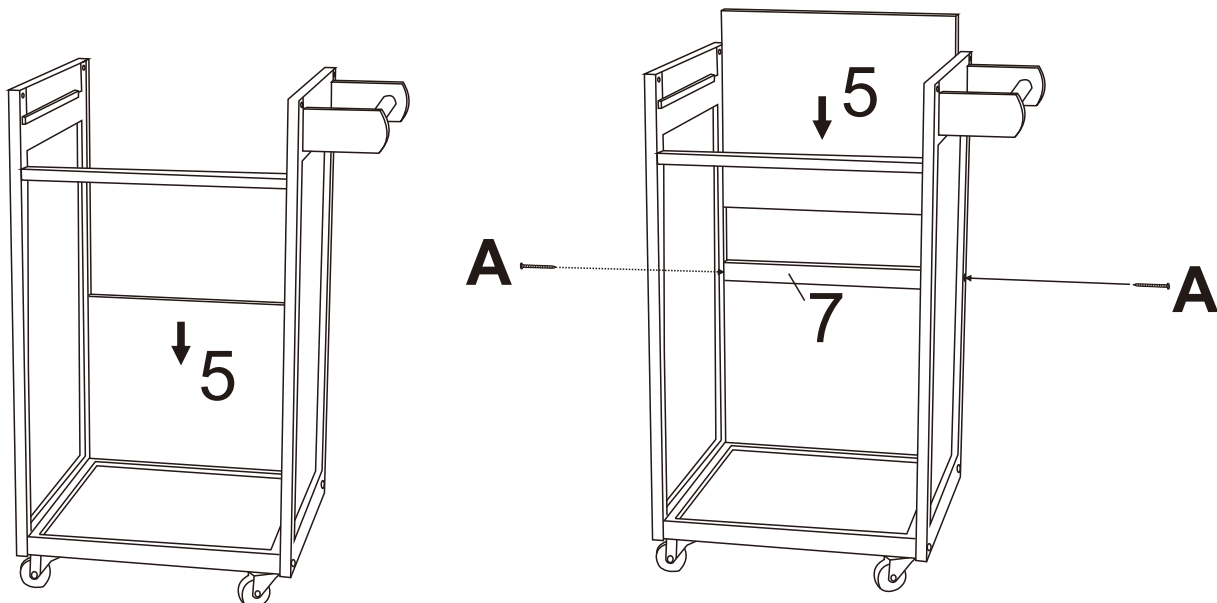
Bx4  

Gx2 



3

Ax2  




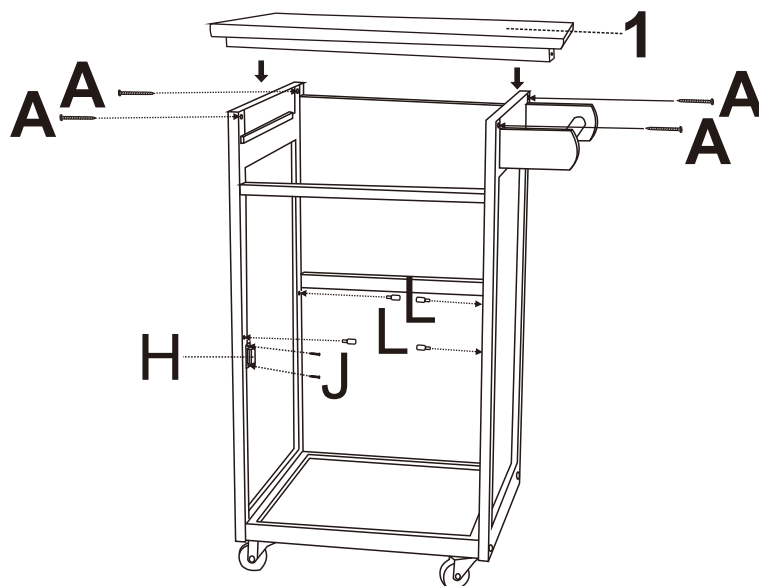
4

Ax4  

Jx2  

Hx1 

Lx4 



5

Dx2 

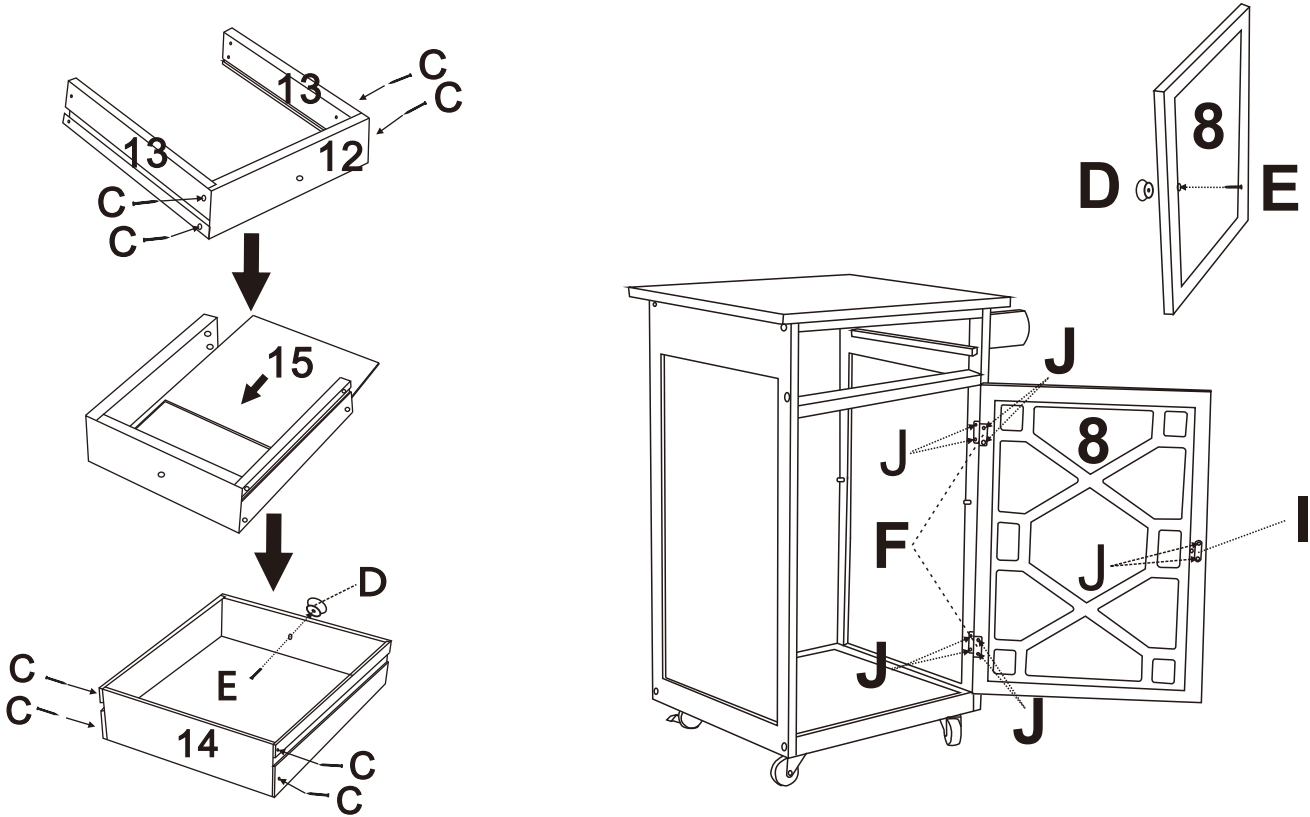
Ix1 

Fx2 

Cx8  

Ex2 

Jx10  



6

