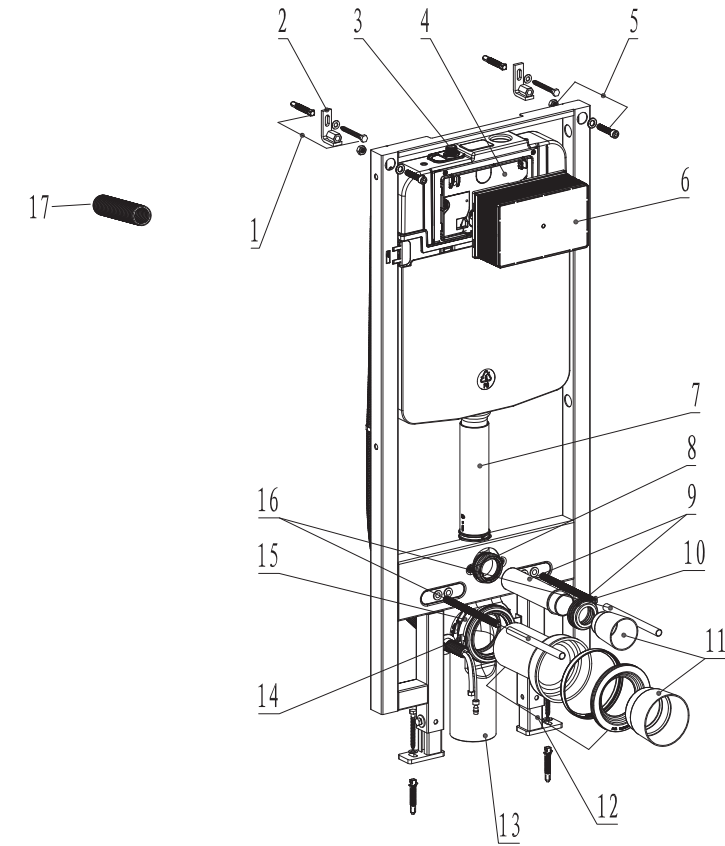


EPLO®

Concealed Cistern

Installation Manual



List of main installation accessories

No.	Description	Qty	Function
1	Expansion screw	4	Fixation of frame
2	Wall bracket	2	
3	Angle valve	1	Water inlet switch of fill valve
4	Cistern cover	1	To fix locking bracket
5	Socket head screw	2	To mount and lock metal frame to wall bracket
6	Plastic holder	1	To reserve space for installation of actuator at wall building
7	Connecting tube	1	Water inlet to ceramic bowl
8	Fixing screws	2	To fix connecting tube
9	Flushing piping	1	To supply water from cistern to toilet (Length to be adjusted according to wall thickness)
10	Connecting screw	2	To mount ceramic bowl
11	Dust-proof covers	2	To reserve space for flushing piping at wall building To reserve space for discharging piping at wall building
12	Connecting pipe	1	To discharge waste from toilet (Length to be adjusted according to wall thickness)
13	Draining syphon	1	To discharge waste from toilet
14	Mounting bracket	1	To mount draining syphon
15	Draining syphon holder	1	
16	Protective cover	2	To protect connecting screw at wall building
17	Corrugated tube (optional)	2	To protect electric wire and water pipe

Important instruction:

1. Please adhere to the following installation instructions. We shall not be responsible for failures and loss that are contributed to improper installation.
2. Please confirm the fixation location of Frame prior to installation and obtain the finished floor surface. Draw FFL on installation wall and follow it as baseline from ZERO (0) level.
3. The instructions have been composed based in the latest product specifications. We reserve the right to make modifications to the packaging and specifications without providing prior notification.

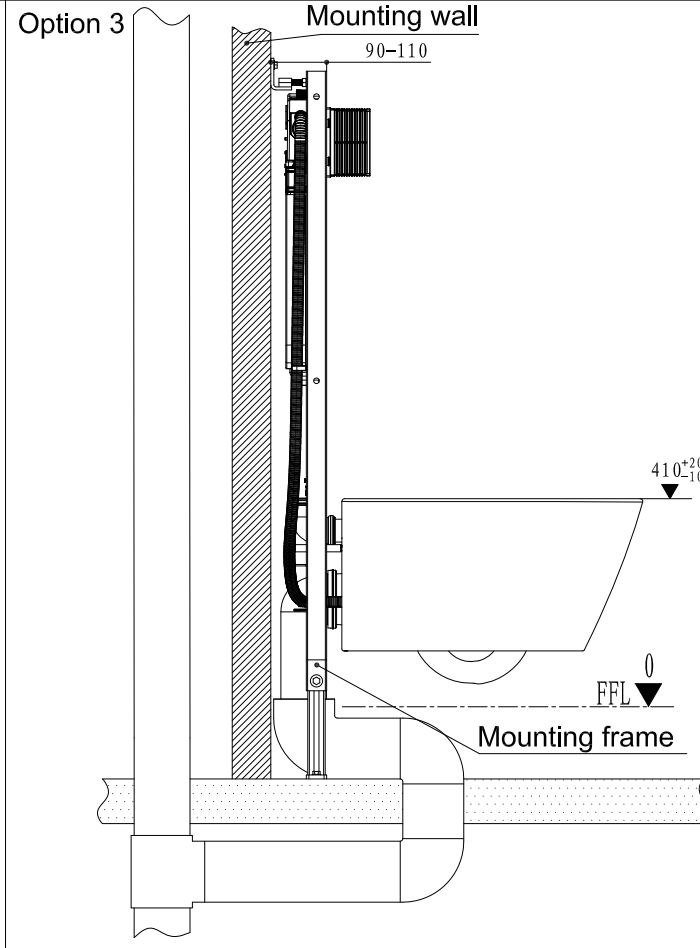
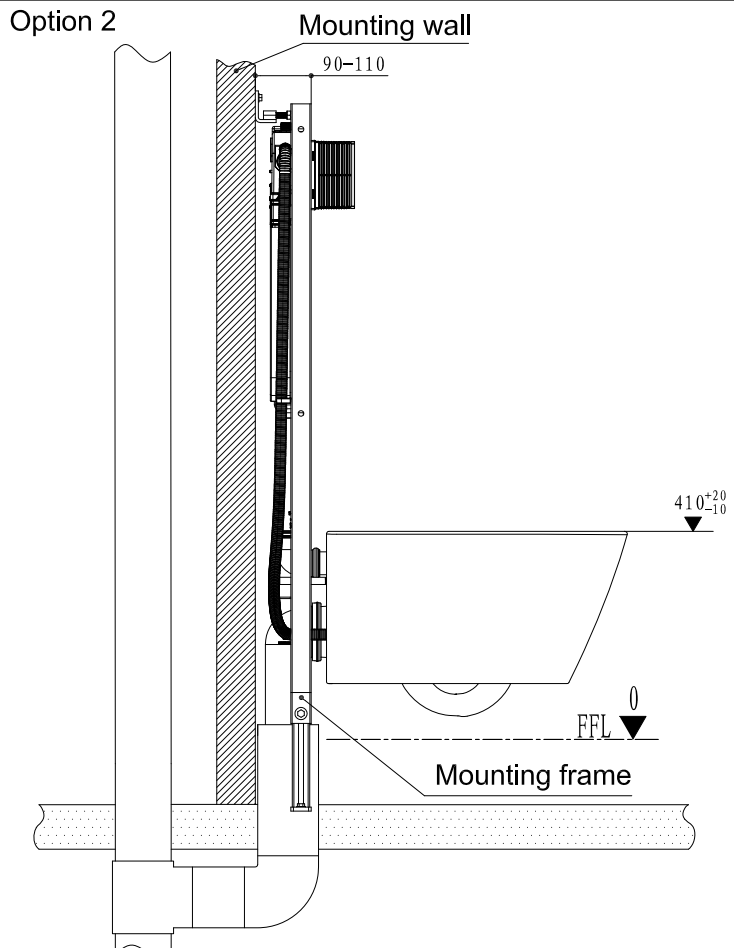
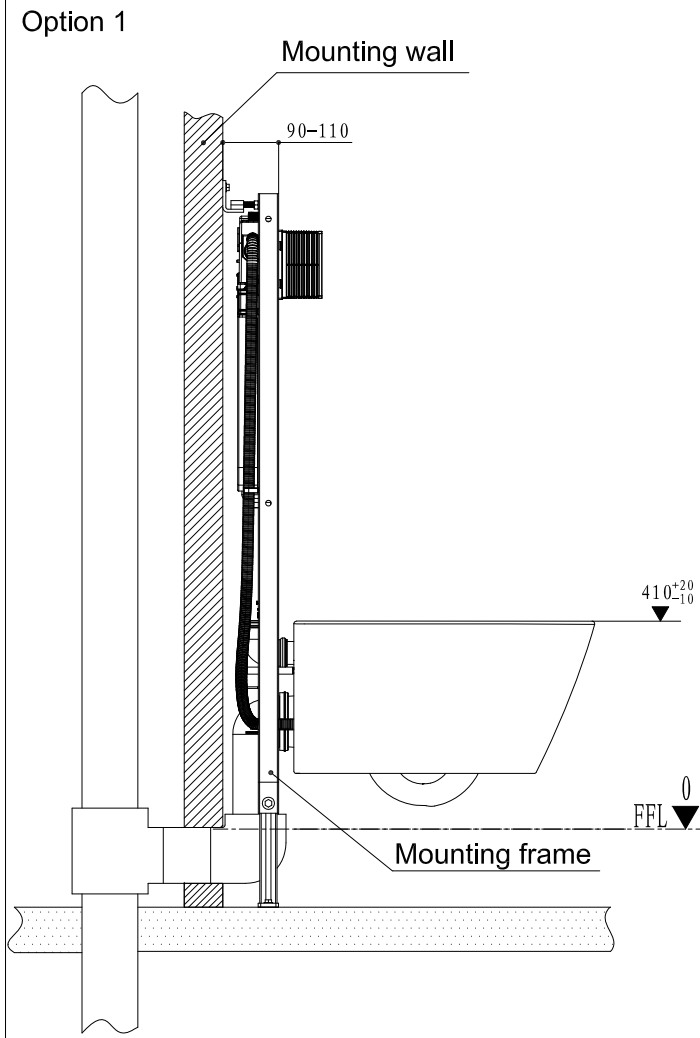
NOTES:

1. Mount before bricks building.
2. All size unit in MM.
3. Follow the material product, should there is an unconformity with drawing.

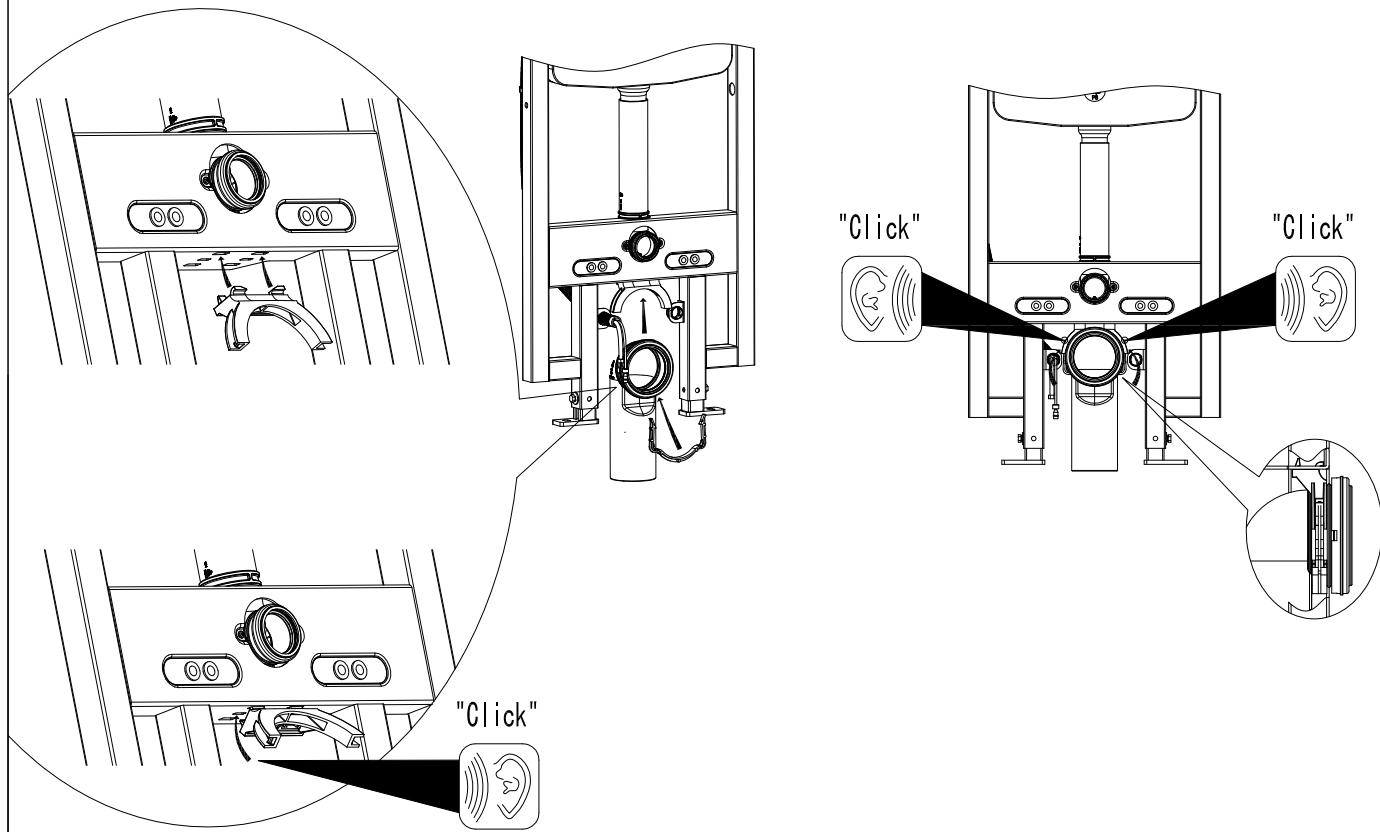
! FFL ∇ = Finished Floor.

1. Drainage System Layout

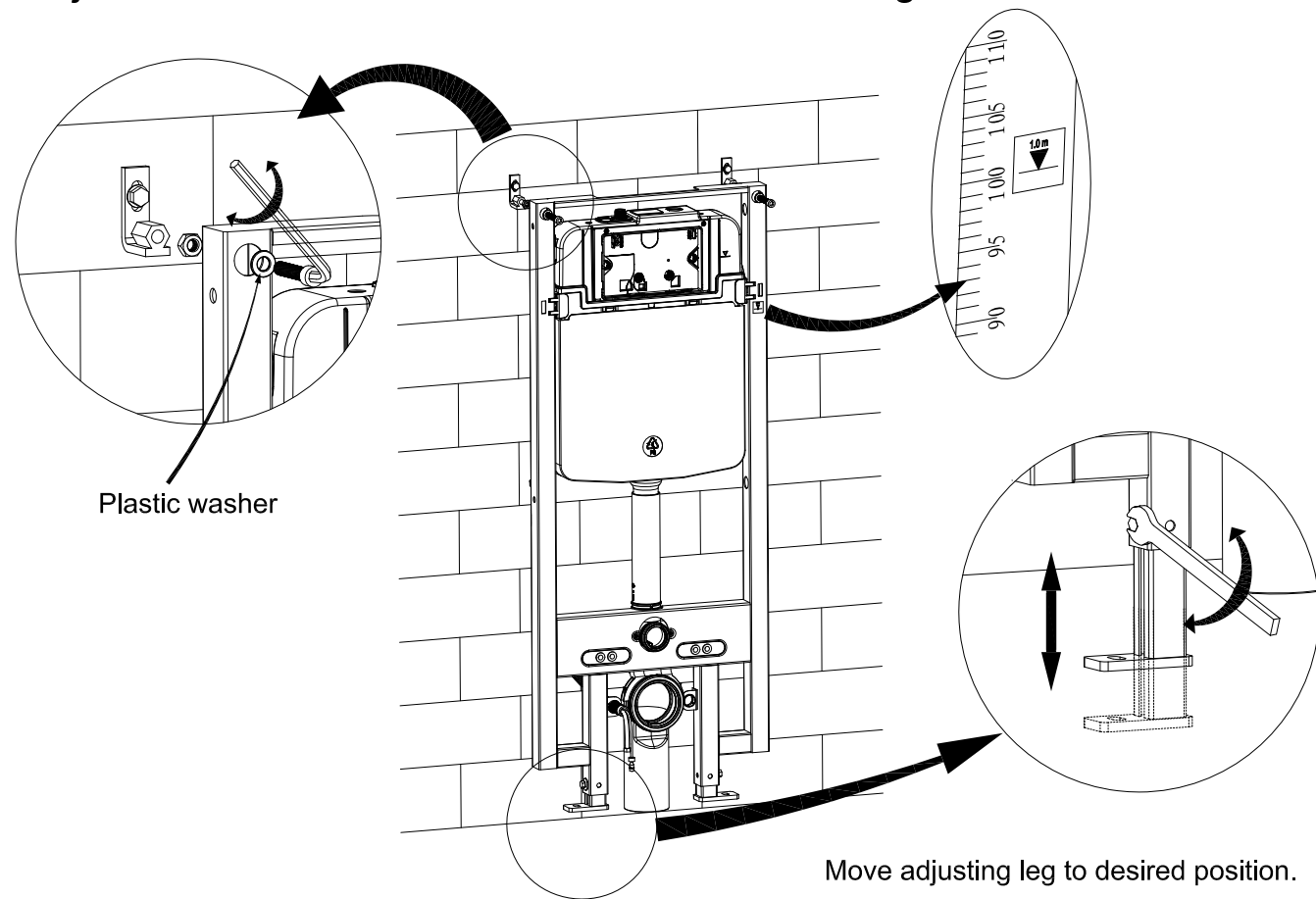
Drawing 1 to 3 are three different installation systems for drain pipe. Customer should confirm whichever installation system according to drainage outlet position. If drainage outlet does not fall within the three systems, customer should follow one of three drainage system layout to correspond installation of our concealed cistern.



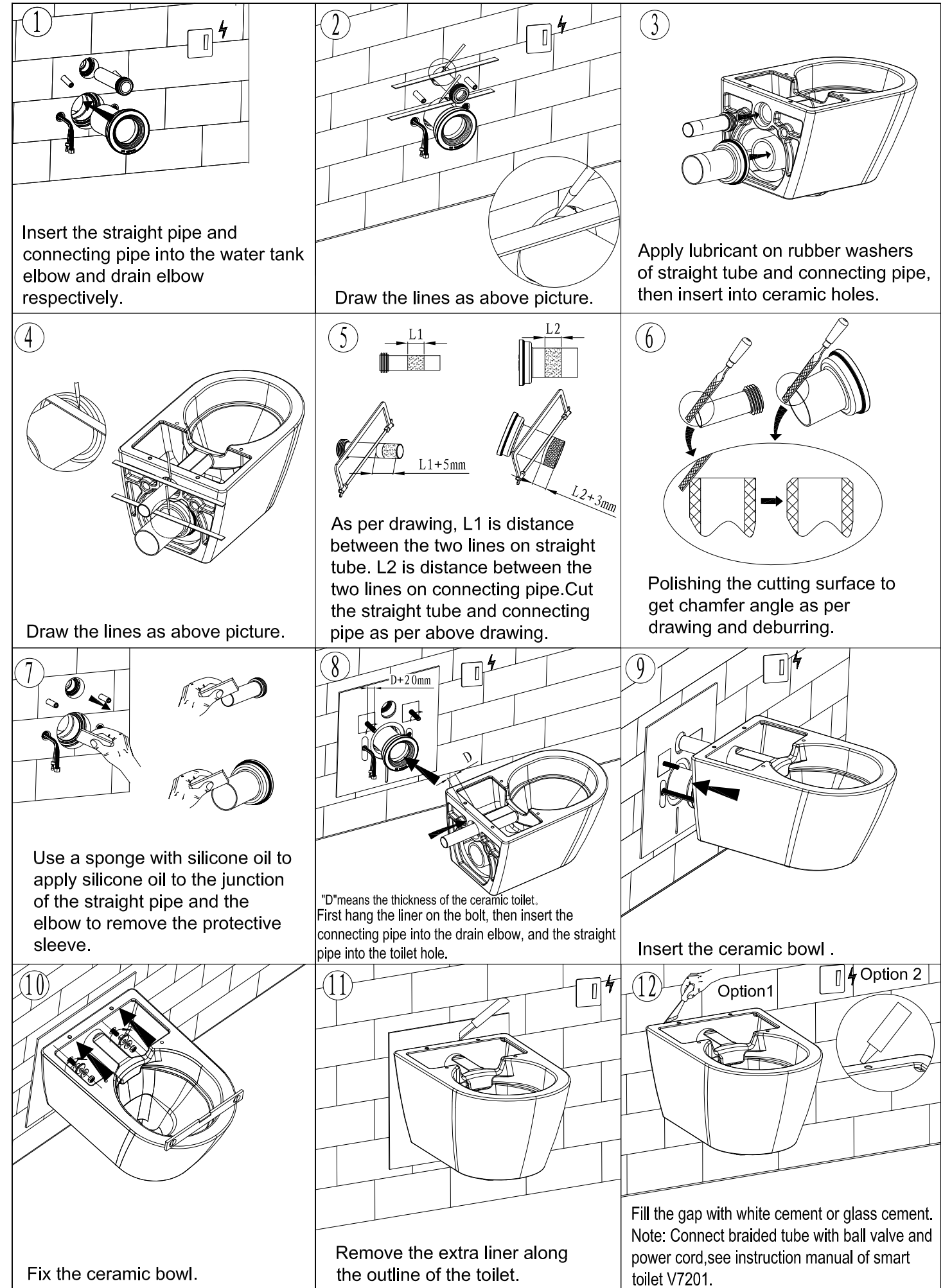
4. Installation of draining siphon



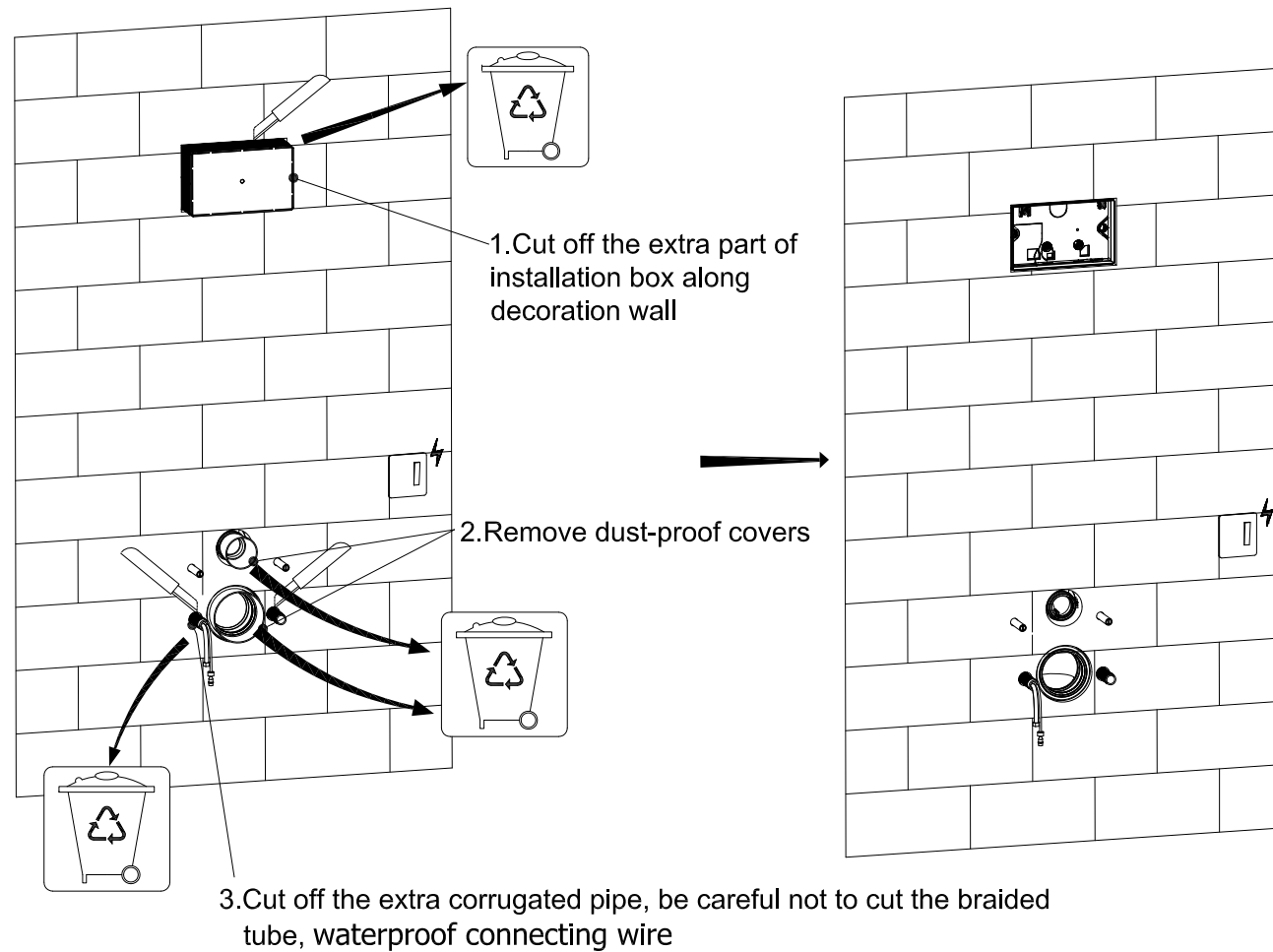
5. Adjustment of socket head screw and floor fixing accessories



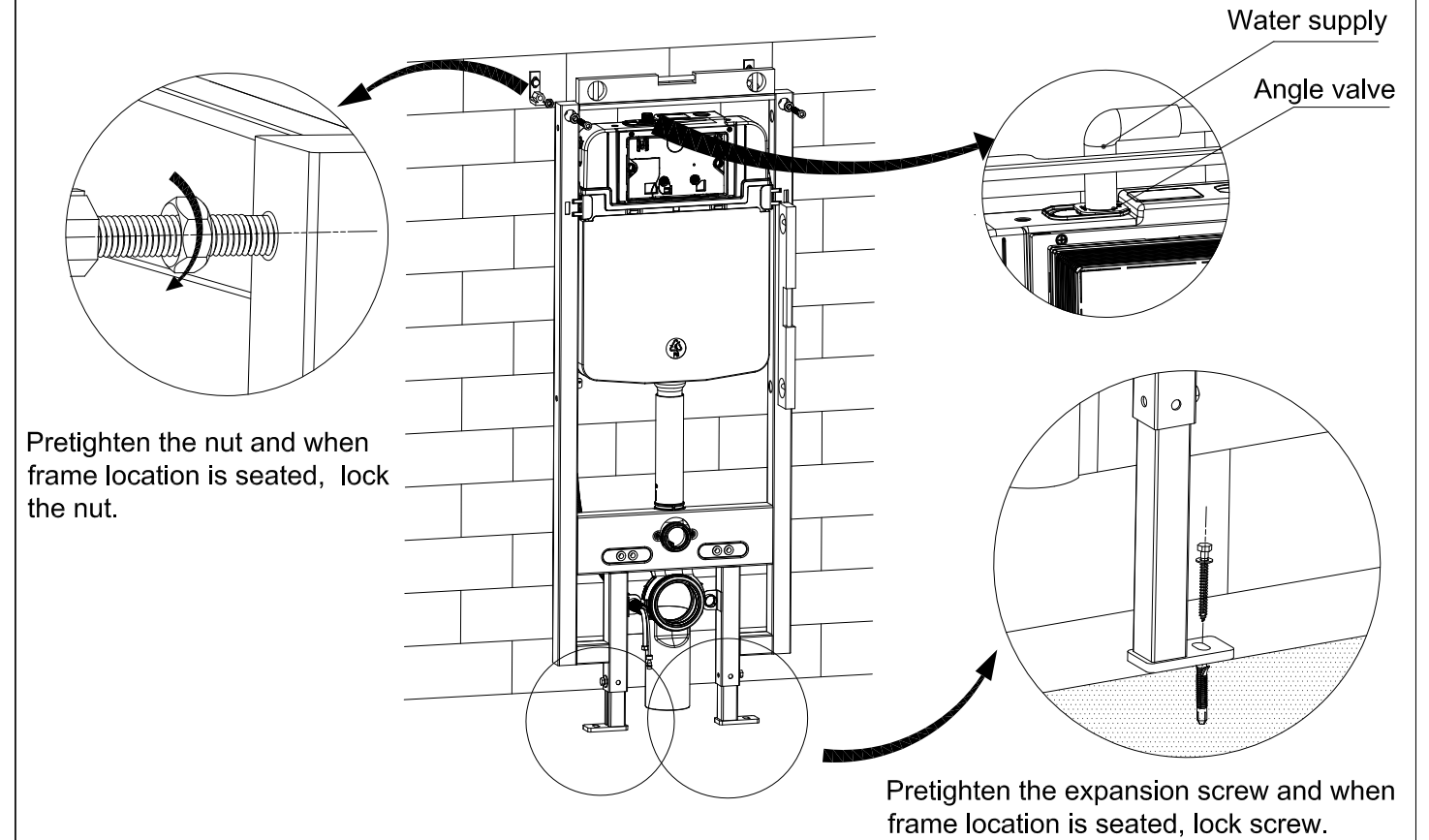
11. Mounting of ceramic bowl



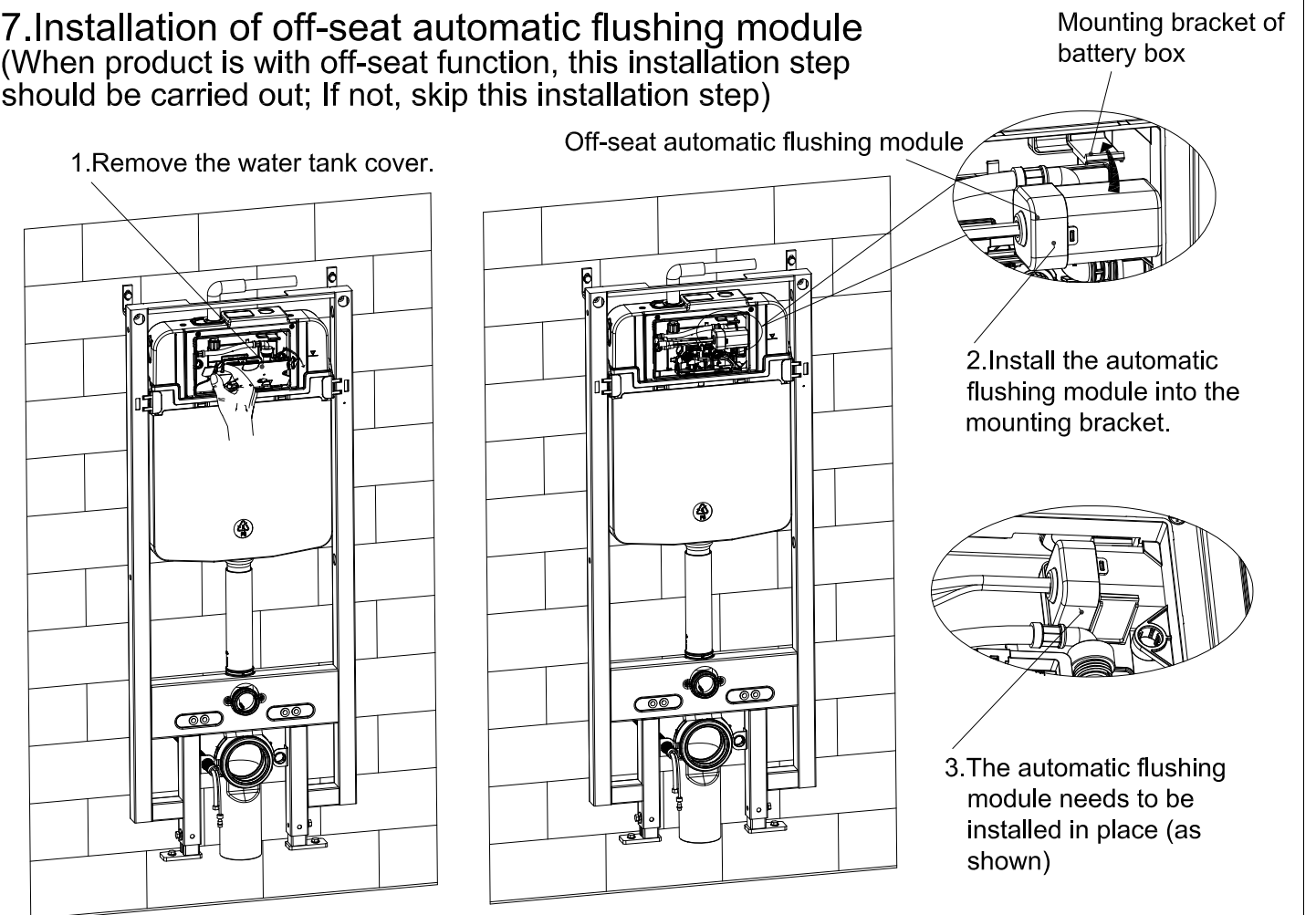
10. Remove extra installation boxes, corrugated pipe, dust-proof covers



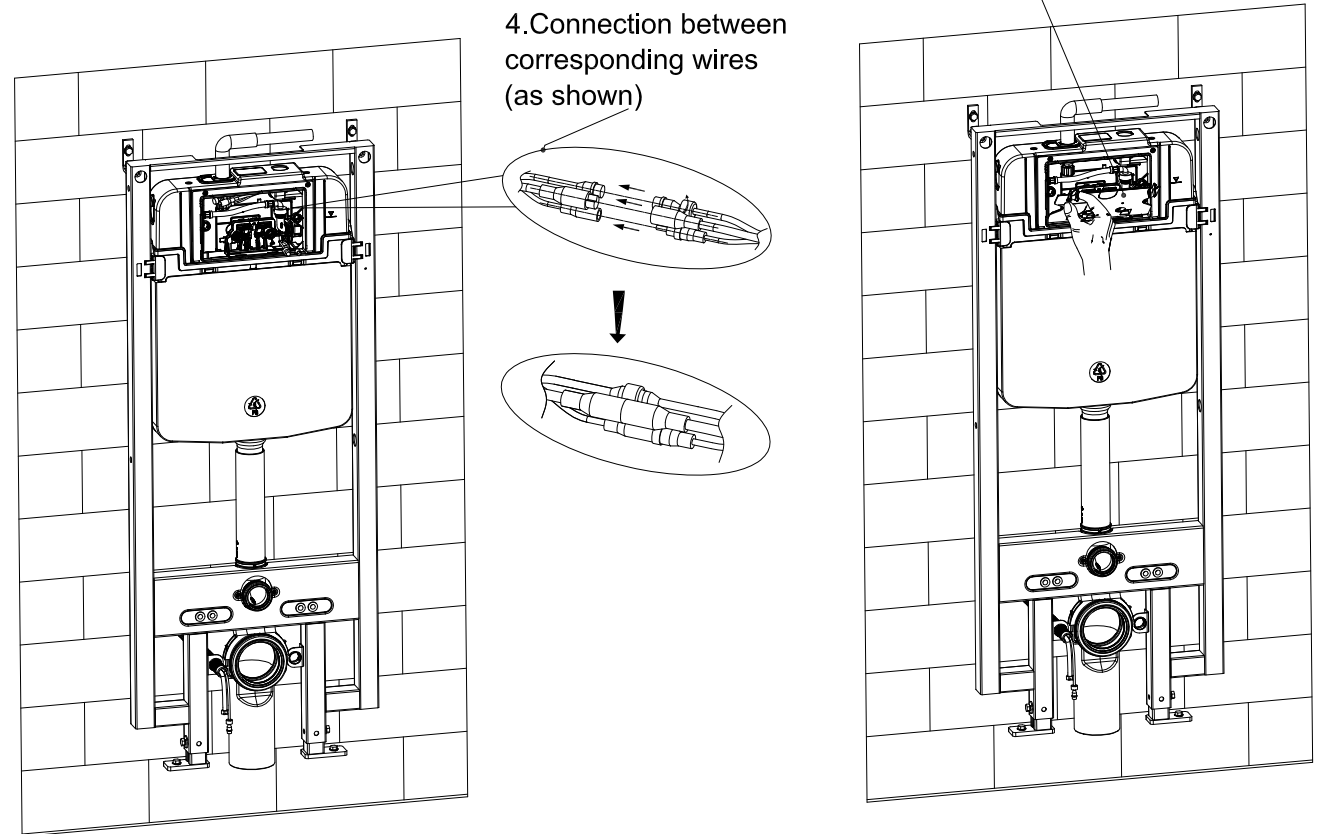
6. Adjust the frame, then fix it, and install water supply



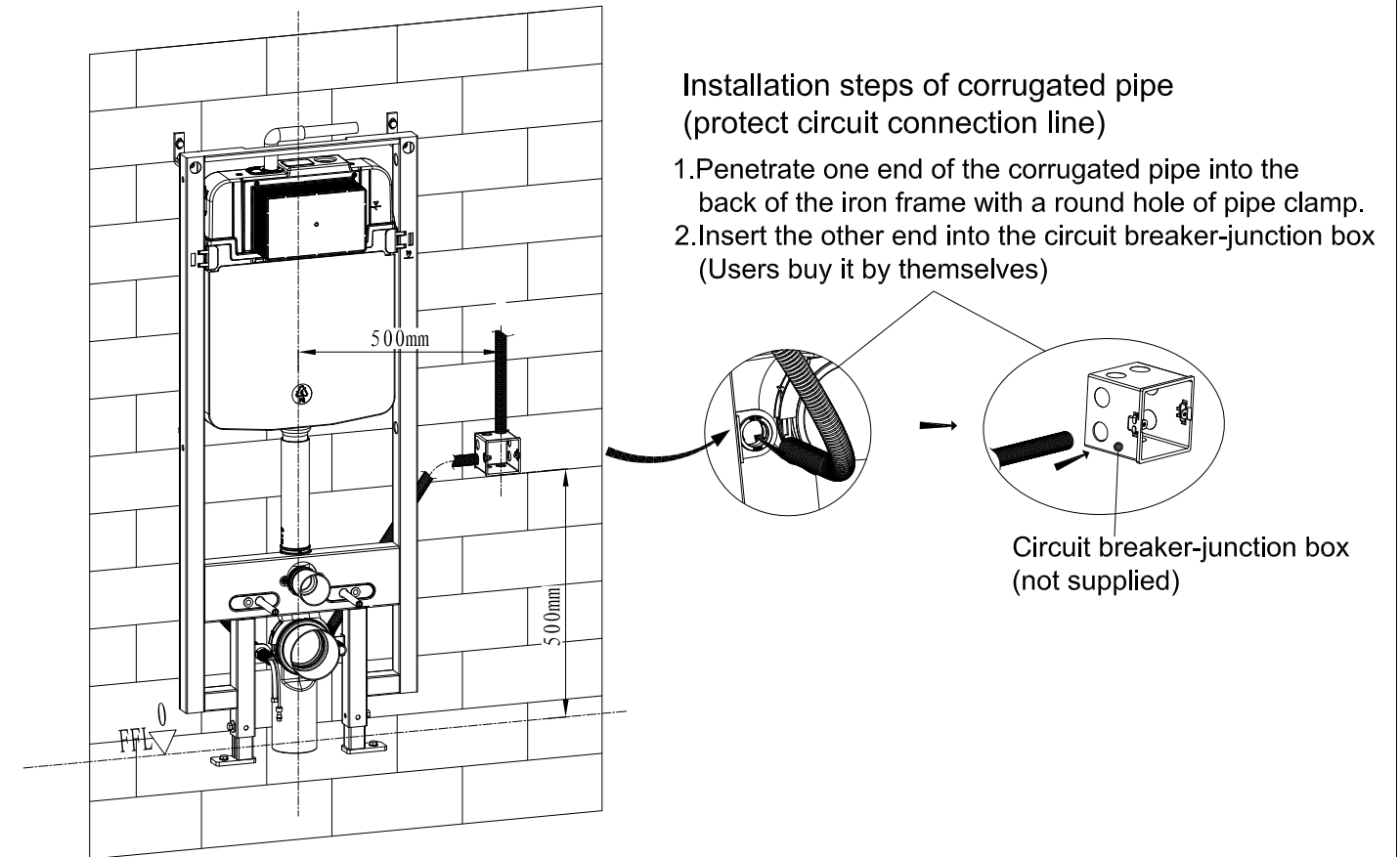
7. Installation of off-seat automatic flushing module (When product is with off-seat function, this installation step should be carried out; If not, skip this installation step)



7. Installation of off-seat automatic flushing module
 (When product is with off-seat function, this installation step should be carried out; If not, skip this installation step)

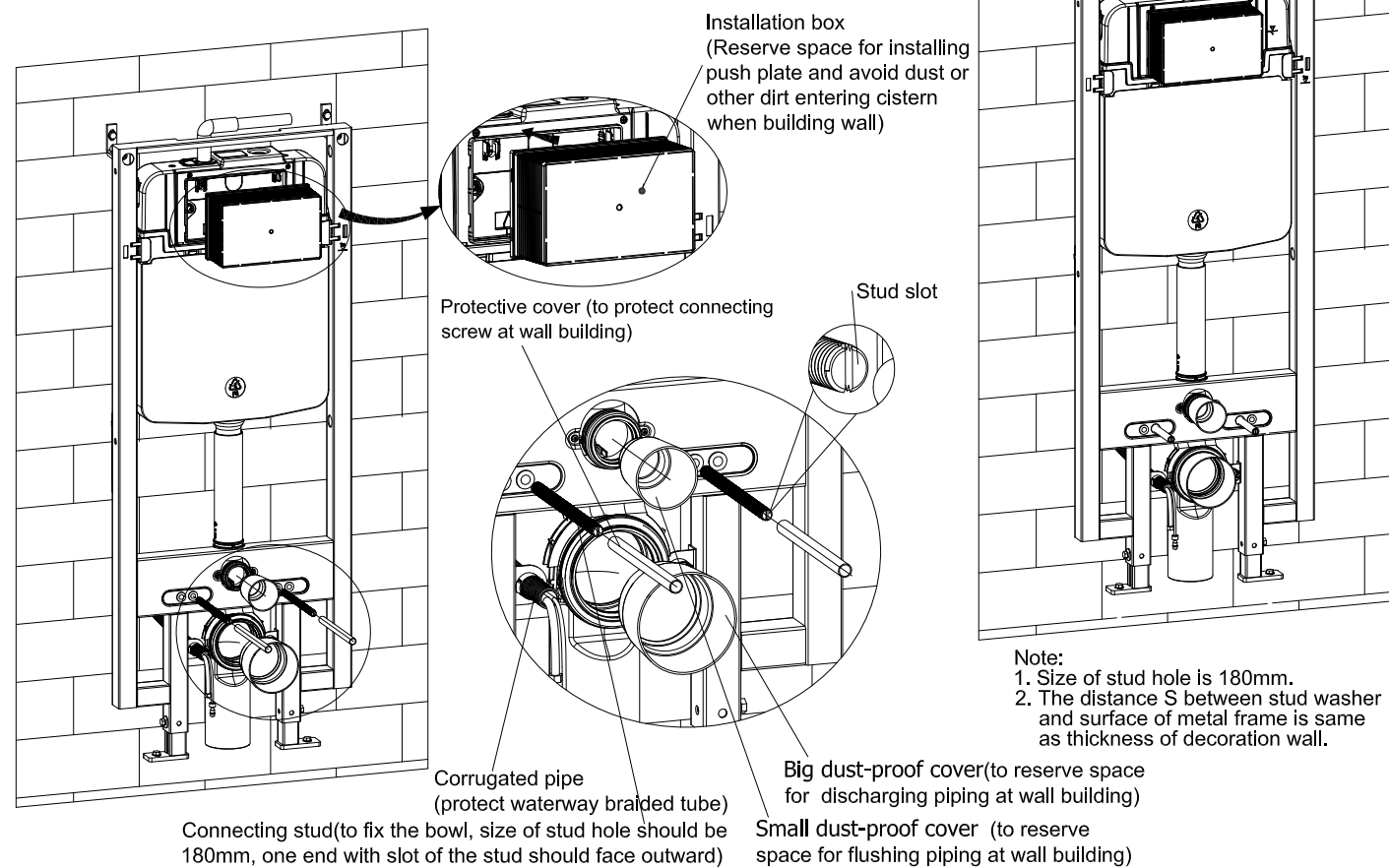


8.2 .Installation of corrugated pipe(protect electronic cable) (When product is with electronic cable, this installation step should be carried out; If not, skip this installation step)



8. Mounting of installation accessories

8.1: Mounting of installation box, big and small plugs



9. Decoration wall thickness range 10~60mm (from the outside surface of the mounting frame to finished wall surface)

