

NOTICE

- *Please make sure that you have all parts indicated and they are in good condition before you begin assembly of this item. Refer to part list and hardware list below for guidance.
- *This item should be assembled on a soft surface to prevent scratching the finish during assembly.
- *This item may require periodic tightening.
- *If you are having difficulty, our friendly Customer Care team is always here to help.

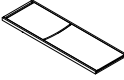
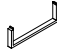
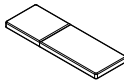



PREPARATION

- *Before beginning assembly of product, make sure all parts are present. Compare parts with part contents list and hardware contents list.
- *If any part is missing or damaged, do not attempt to assemble the product.
- *Tools Required for Assembly (included): Allen Key
- *Estimated Assembly Time: 10 minutes.

CARE AND MAINTENANCE

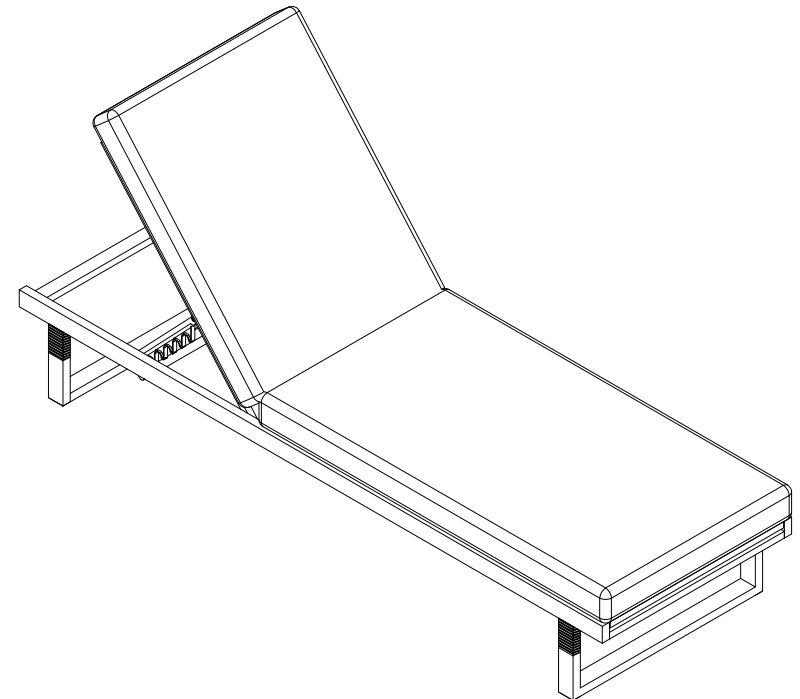
Store outdoor furniture indoors or cover well when not in use. Dust regularly with small brush or vacuum. Spills should be taken care of immediately before they harden or stain with a slightly damp sponge.

Part List and Hardware List

PIECE	DESCRIPTION	PICTURE	QUANTITY
A	Sunlounger Frame		1x
B	Leg Sunlounger		2x
CSH1	Cushion Sunlounger		1x
HW1	Allen Bolt (M6x20)		8x
HW2	Flat Washer (M6)		8x
HW3	Allen Key (4x75)		1x

Owner Manual

PRODUCT DIMENSIONS:
78.74"L x 25.59"W x 14.96"H



Weight capacity : 275 Lbs (single seat)
550 Lbs (two person seat)

Warning : Do not stand on sunlounger
Warning : Do not over torque bolts/screws

PREPARATION

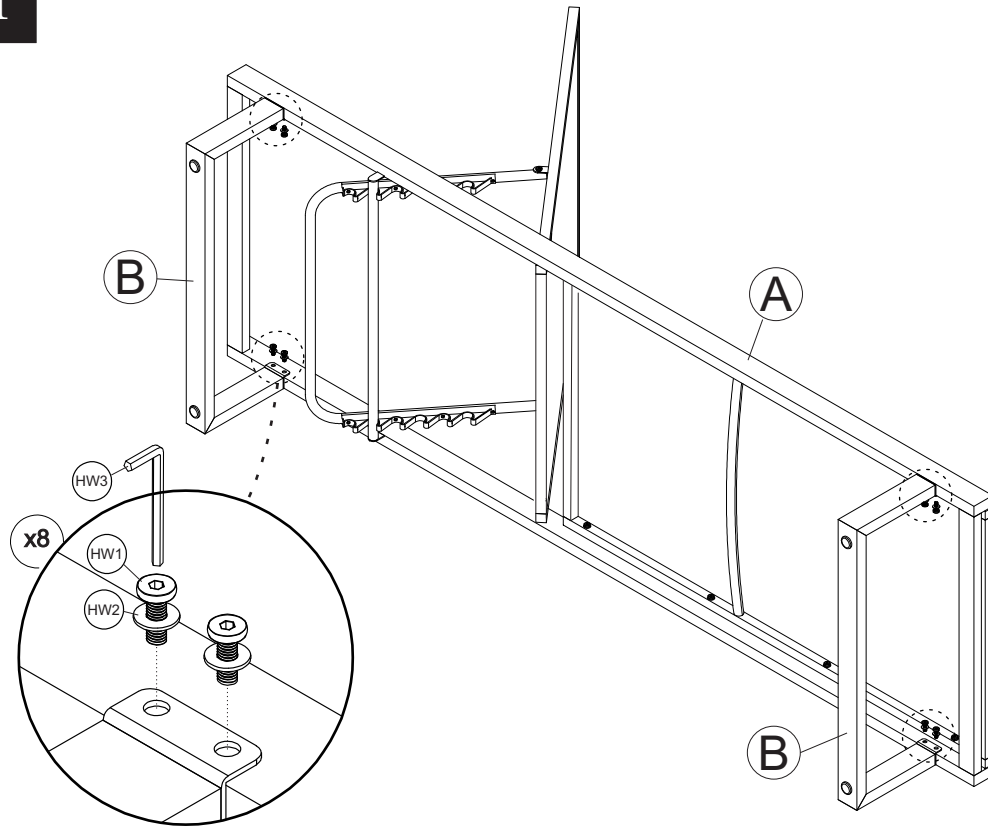
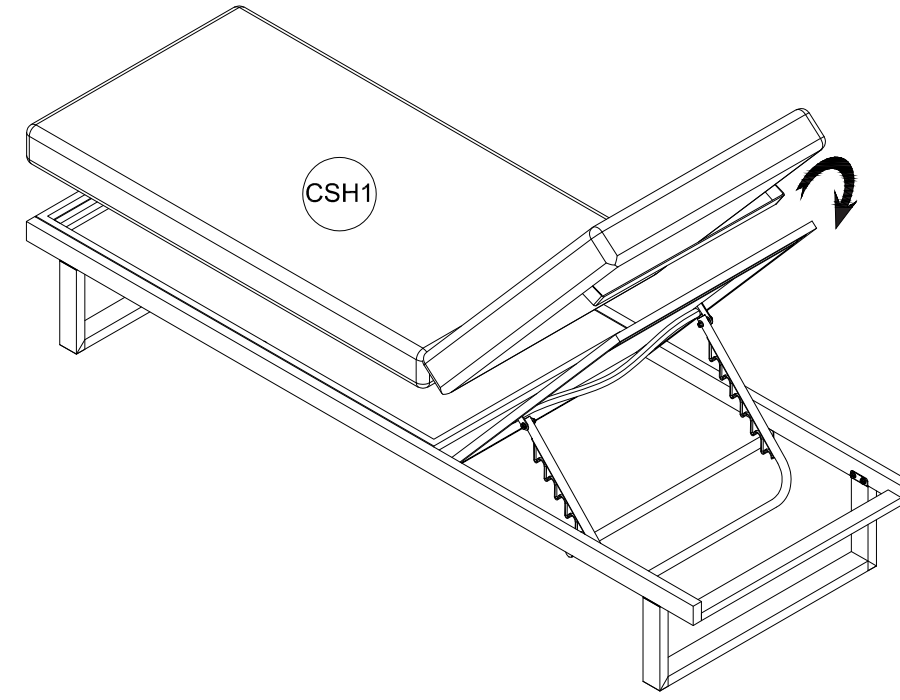
*Before beginning assembly of product, make sure all parts are present. Compare parts with part contents list and hardware contents list.

*If any part is missing or damaged, do not attempt to assemble the product.

*Estimated Assembly Time : 10 minutes.

*Tools Required for Assembly (included): Allen Key

*If you are having difficulty, our friendly Customer care team is always here to help.

<p>1</p> 	<p>2</p> 
<p>STEP 1: Align the screw holes on the Sunlounger Frame (A) to the screw holes on the Leg Sunlounger (B). Place the the Flat Washer (HW2) on the Allen Bolts (HW1) in the order shown below. Use the Allen Key (HW3) to screw in the Bolts (HW1) with the washers attached.</p>	<p>STEP 2: Place the Cushion Sunlounger (CSH1) on the Sunlounger.</p>

PREPARATION

- *Before beginning assembly of product, make sure all parts are present. Compare parts with part contents list and hardware contents list.
- *If any part is missing or damaged, do not attempt to assemble the product.
- *Estimated Assembly Time : 10 minutes.
- *Tools Required for Assembly (included): Allen Key
- *If you are having difficulty, our friendly Customer care team is always here to help.

